

INSTALLING WALL CONTROL SWITCH

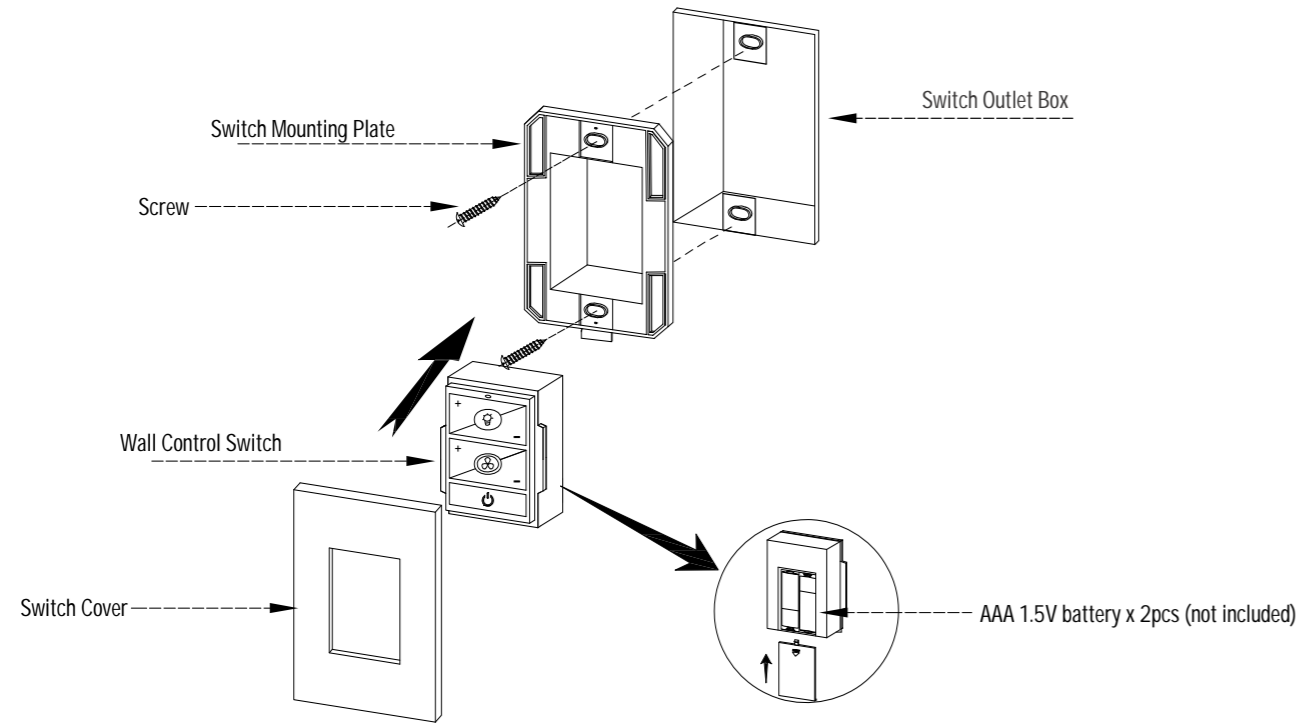
Step 1. Take off the screws from Switch Outlet Box.

Step 2. Secure the Switch Mounting Plate onto the Switch Outlet Box with screws taken off.

Step 3. Insert 2 batteries: AAA 1.5V battery x 2pcs (not included).

Step 4. Put the Wall Control Switch into the Switch Mounting Plate.

Step 5. Cover the Switch Cover onto the Switch Mounting Plate.

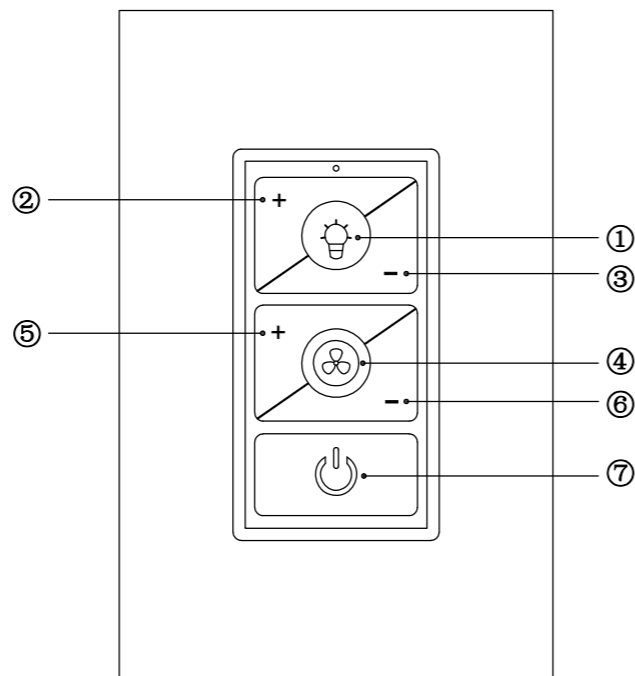


WALL CONTROL SWITCH INSTRUCTIONS

- ① : Turn on/off the Light.
- ② : Increase Brightness.
- ③ : Reduce Brightness.
- ④ : Click : Turn on/off the Fan.
Long-Click : Fan forward & Fan reverse.
- ⑤ : Increase Fan Speed.
- ⑥ : Reduce Fan Speed.
- ⑦ : Turn off the Fan and Light.

REMOTE SIGNAL PAIRING:

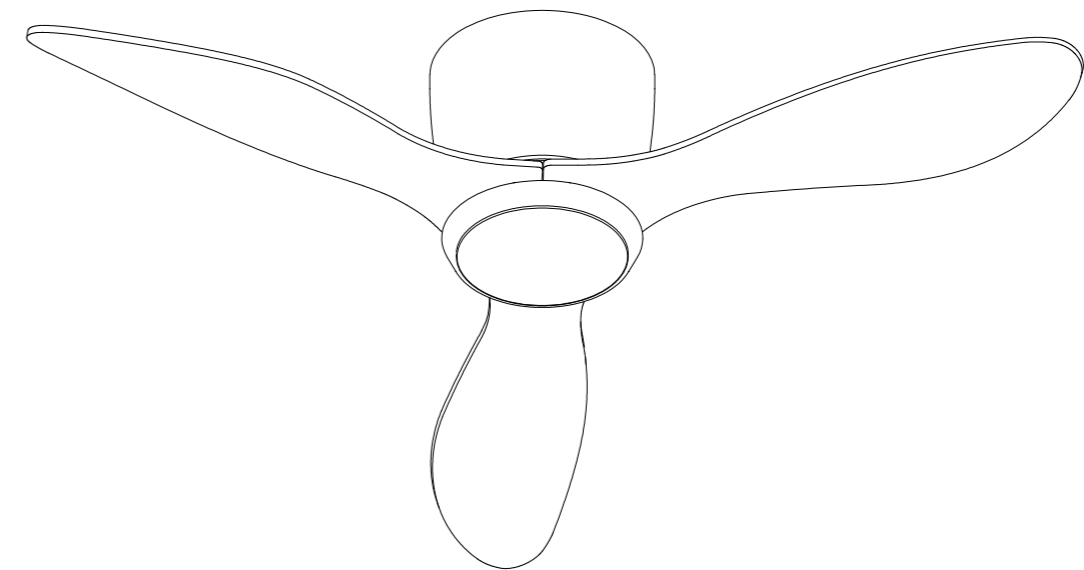
If the Wall Control Switch loses signal of the fan, press and hold the button ① at the very beginning after it's turned on from wall switch. After the fan light flashes or beeps, it's done.



INSTALLATION MANUAL

CEILING FAN WITH LIGHT

Model No.: CFL-1212-04



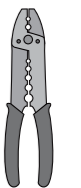
TOOLS REQUIRED



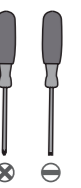
Ladder



Pliers



Wire Strippers



Screwdrivers

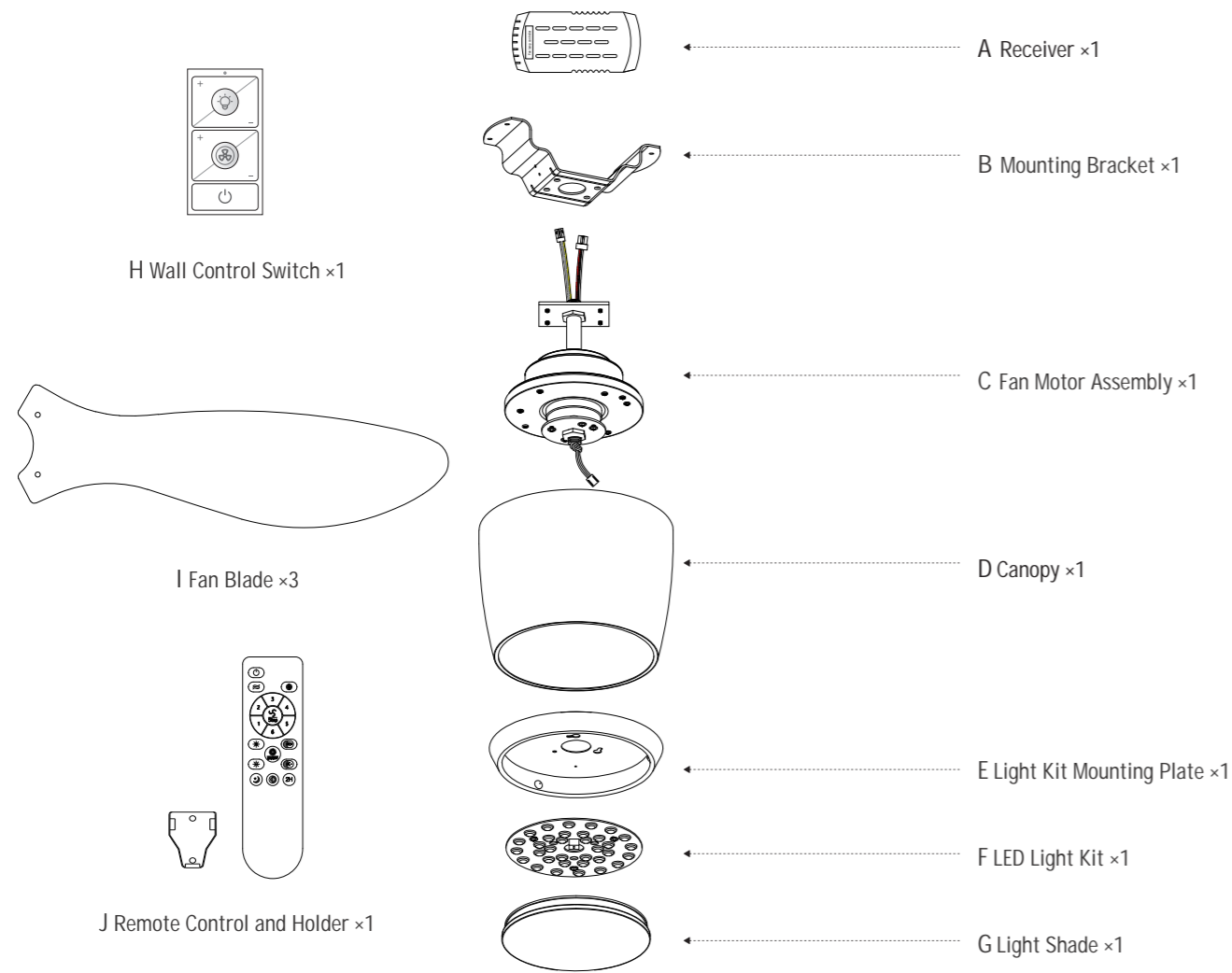


Scan for Installation Video



APP Control Applicable

PACKING LIST



INSTALLATION KIT

| | | | |
|----------------------------------|---|-----------------------------------|-----------------------------------|
| AA Wire Nut 3× | BB Fan Blade Screw 6× | CC Gloves 1× | DD Fixing Screw A 8× |
| EE Hanging board 1× | FF Outlet Box Screw With Washer 2× | GG Fixing Screw B 3× | HH Cable Tie 2× |

NOTE:

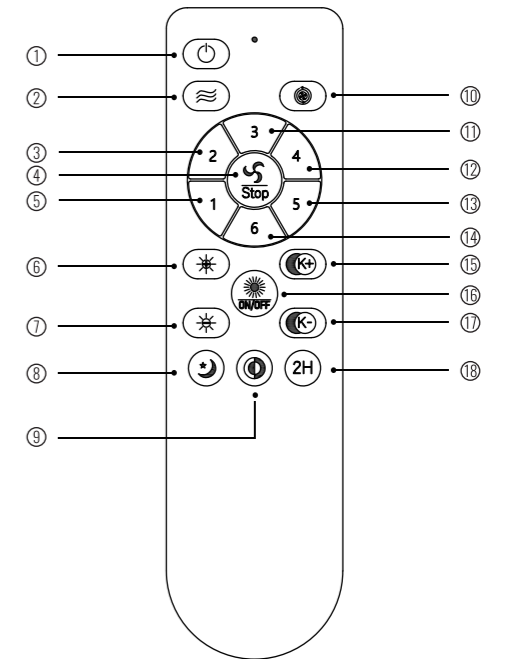
1. Some extra hardware may be included. The quantity listed above is the number required for installation.
2. Parts "BB, DD" have already been installed with Fan Motor Assembly, parts "EE" have been installed with Mounting Bracket, parts "GG" have been installed with Light Kit Mounting Plate. They need to be disassembled before installation.

REMOTE CONTROL INSTRUCTIONS

- ① : Turn off power.
- ② : Natural wind, fan speed will change automatically with this function.
- ③ ⑤ ⑪ ⑫ ⑬ ⑭ : Turn on the fan on 1/2/3/4/5/6 speed.
- ④ : Turn off the fan.
- ⑩ : Fan moves forwards or reversely.
- ⑥ ⑦ : Adjust the brightness of the light.
- ⑮ ⑰ : Adjust the light color temperature.
- ⑱ : Turn on / off the light.
- ⑧ : Night mode, dim the lights.
- ⑨ : Quick switch of the light color: warm white → cool white → daylight white.
- ⑱ : 2H for timing the fan.

REMOTE SIGNAL PAIRING:

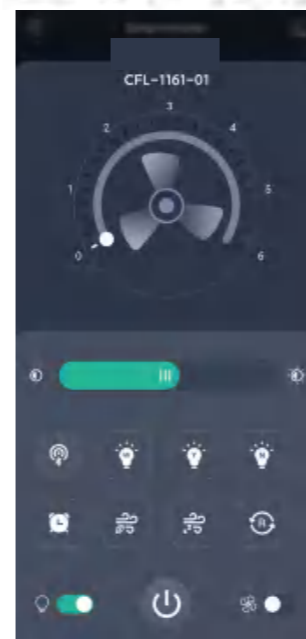
If the remote control loses signal of the fan, press and hold the button ⑱ at the very beginning after it's turned on from wall switch. After the fan light flashes or beeps, it's done.



APP CONTROL INSTRUCTIONS



NOTE: Install the "FanLamp Pro" app from Google Play, Apple App Store, or other app stores by scanning the QR code or searching for the app name. Ensure that your phone is connected to the internet and Bluetooth enabled.

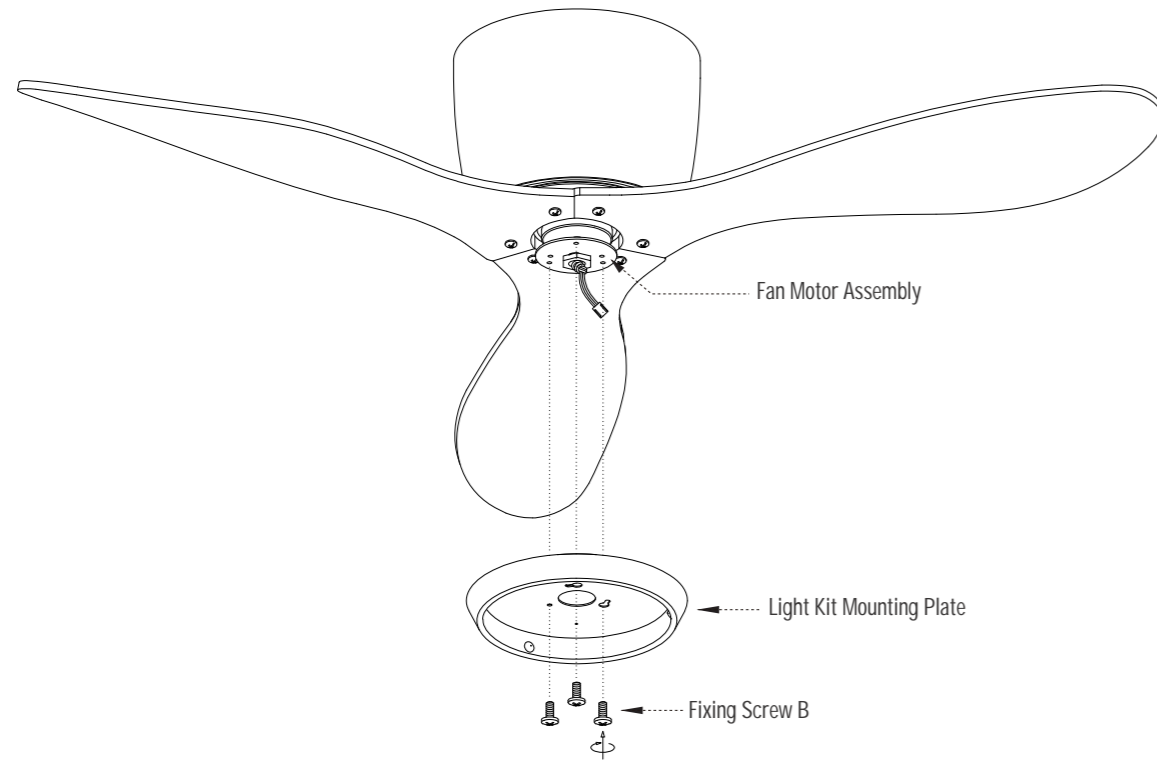


| | |
|--|--|
| | Pairing: Click the Pair button within 5 seconds after turning on the fan from the wall switch. Once the fan flashes or beeps, it has been successfully paired with your phone and can now be controlled through the app. |
| | Slide the slider to change the fan speed |
| | Slide to adjust the brightness of the light |
| | Quickly change color temperature " White, Yellow, Natural " |
| | Switch to night light mode |
| | Fan forward & Fan reverse |
| | Guiding style (not supported by this product) |
| | Timer |
| | Natural wind: Simulate natural wind and automatically adjust the wind speed |
| | Sleeping wind (Not applicable on this fan) |
| | Turn on/off the light |
| | Turn on/off the fan |

7. Install the Light Kit Mounting Plate

Step 1. Loosen the Fixing Screw B (GG) from the Fan Motor Assembly.

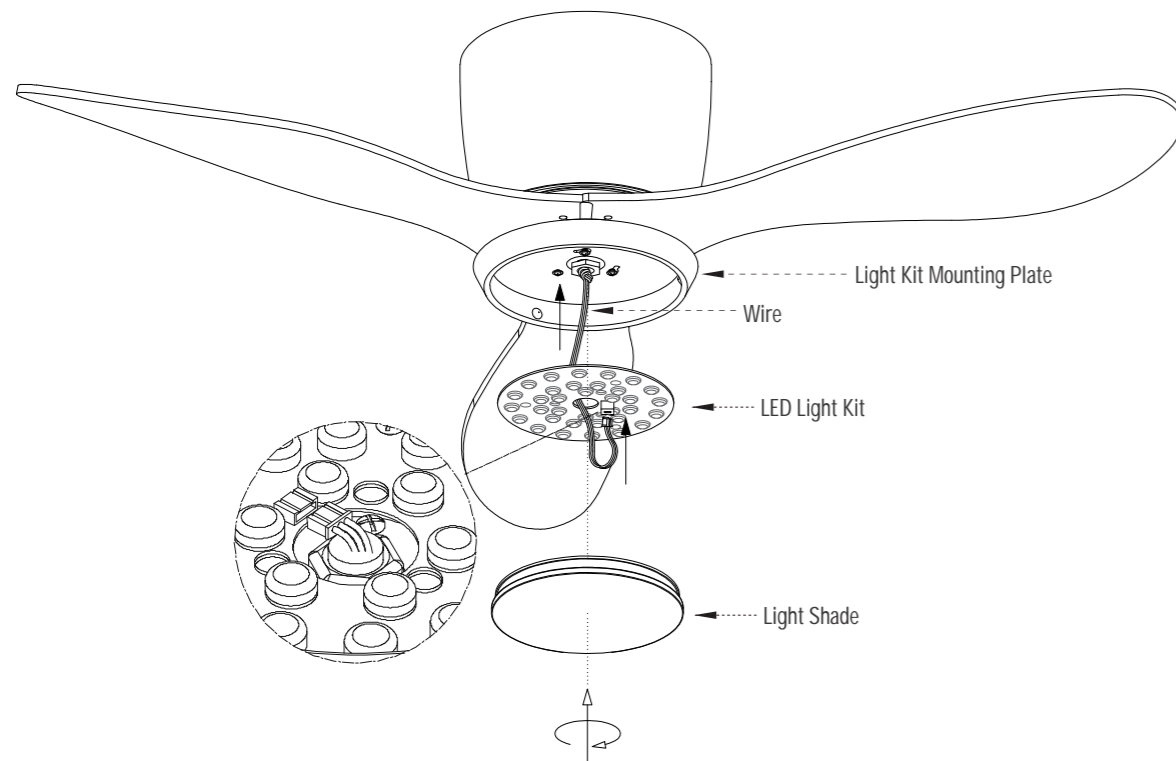
Step 2. Secure the Light Kit Mounting Plate to the Fan Motor Assembly with screws taken off.



8. Install the Light and Light Shade

Step 1. Connect the wire terminal to the interface on the LED Light Kit.

Step 2. Rotate the Light Shade clockwise to secure it to the Light Kit Mounting Plate.

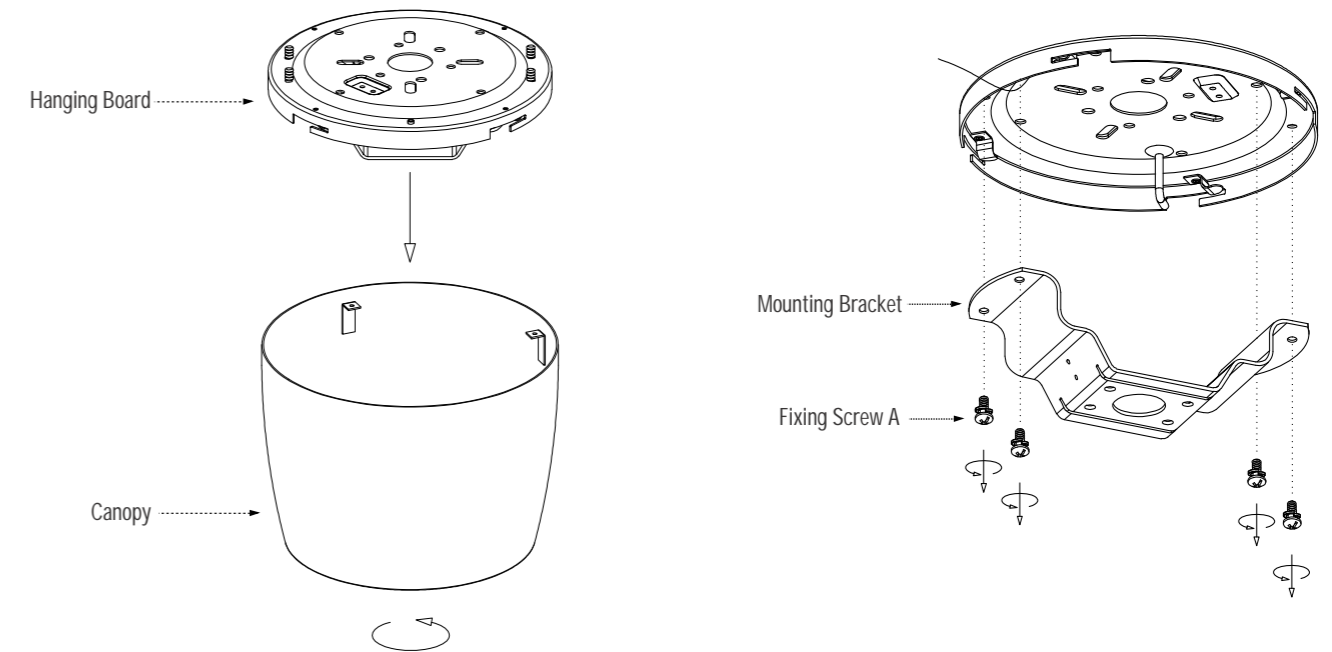


INSTALLATION

1. Remove the Canopy and Mounting Bracket

Step 1: Rotate the Canopy counterclockwise and remove it from the Hanging Board (EE).

Step 2: Loosen the Fixing Screw A (DD) and remove the Mounting Bracket.

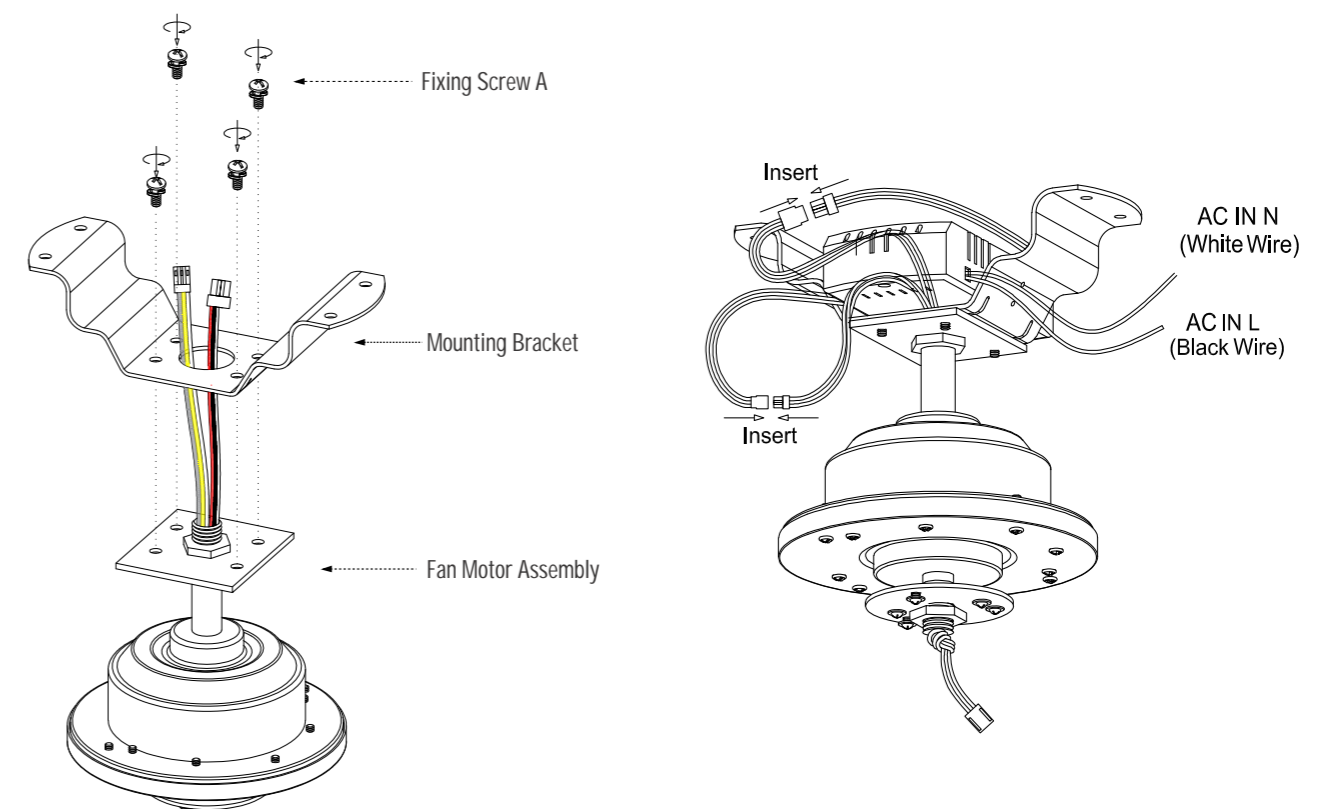


2. Assemble the Mounting Bracket and Receiver

Step 1. Thread the wires through the hole in the Mounting Bracket.

Step 2. Align the Mounting Bracket with the holes on the Fan Motor Assembly, fix them with Fix Screw A.

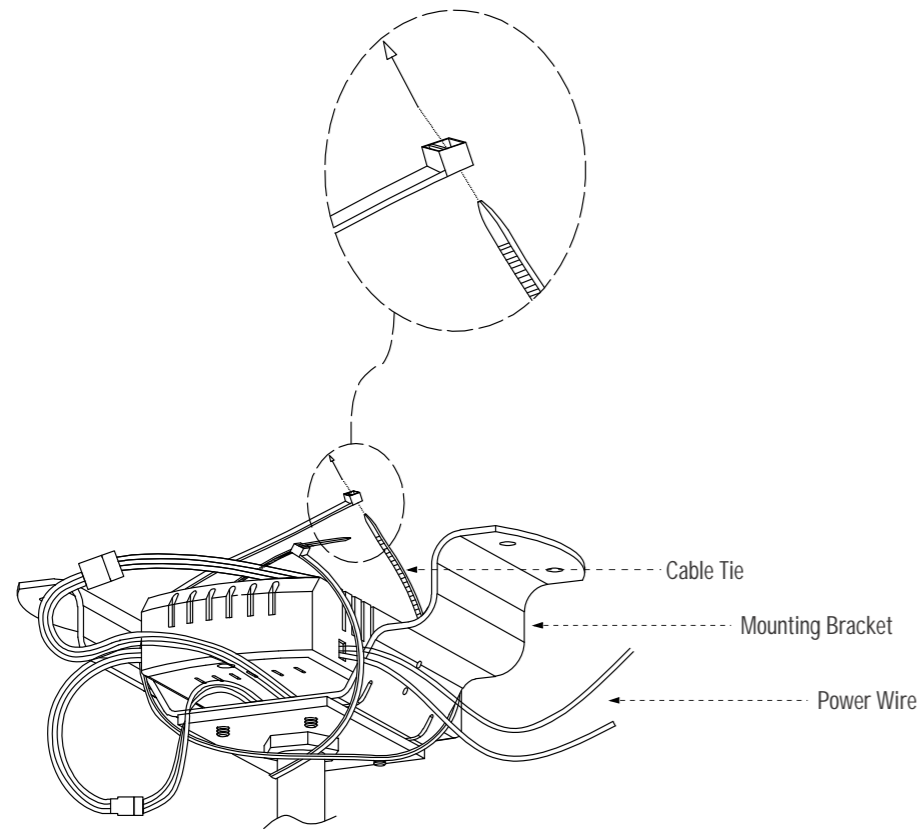
Step 3. Connect the wires from the Receiver to the Fan Motor Assembly wires.



3. Secure the Wires

Step 1. Secure the Receiver and all wires except the Power Wire (Black and White) to the Mounting Bracket by using the Cable Tie (HH).

Note: Make sure that no wires fall below the level of the Mounting Bracket, otherwise it may affect the operation of the motor.

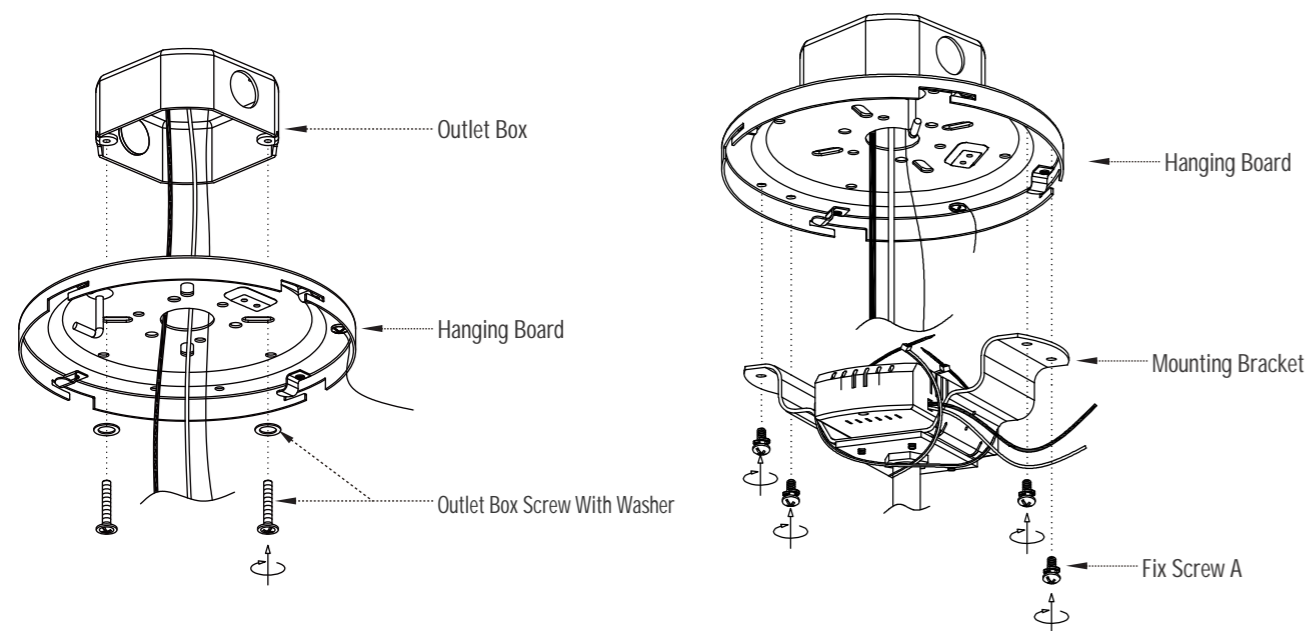


4. Install the Hanging Board and Mounting Bracket

Step 1. Take off the screws from Outlet Box.

Step 2. Secure the Hanging Board onto the Outlet Box with screws taken off or Outlet Box Screw With Washer (FF) provided.

Step 3. Align the Mounting Bracket with the holes on the Hanging Board, fix them with Fix Screw A.

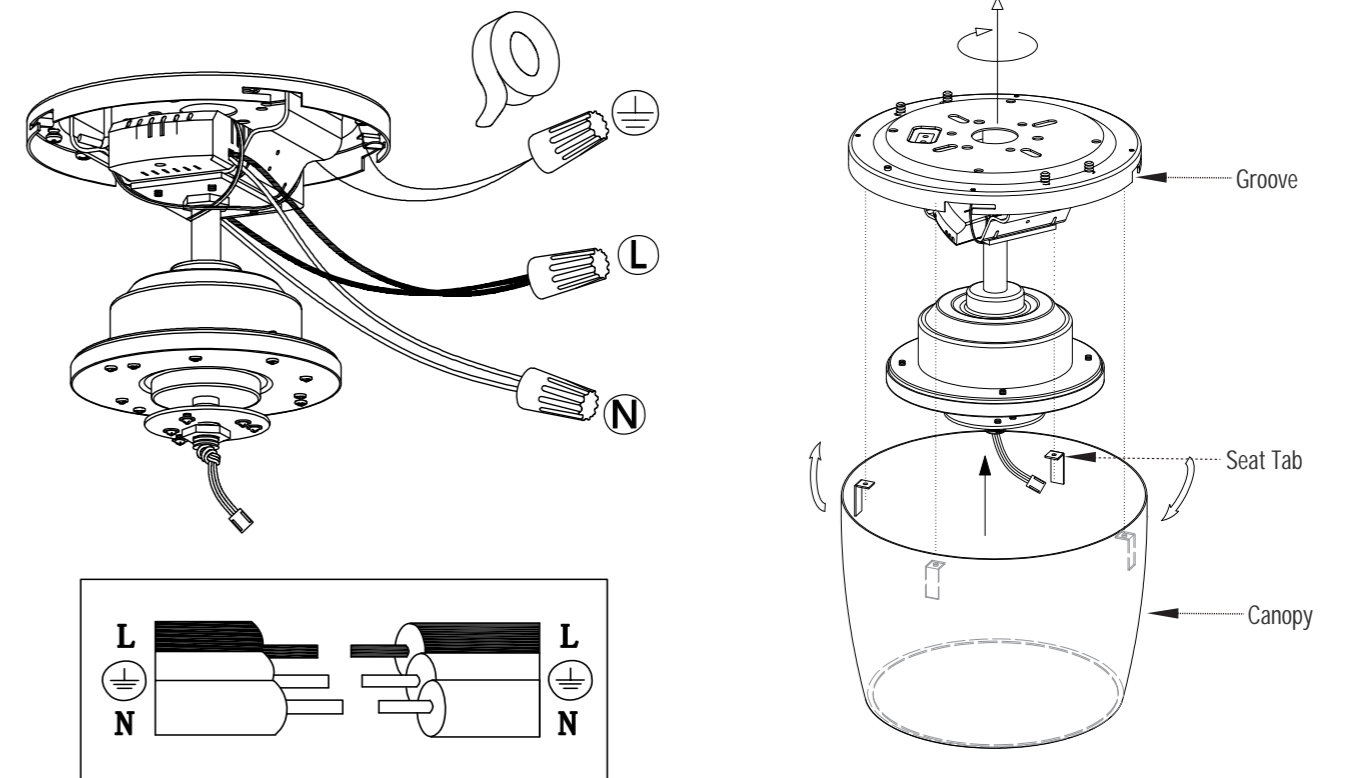


5. Wiring and Install the Canopy

Step 1. Connect the wires from the fixture to the house supply wires with Wire Nuts (AA), ground wire (green, green/yellow, or bare copper) to ground wire, neutral wire (white or blue) to neutral wire, and hot wire (black or brown) to the hot wire.

Step 2. Wrap the connection with electrical tape.

Step 3. Rotate the Canopy until the Seat Tab in the Canopy is seated in the Groove in the Hanging Board.



Note:

① This fan only needs one set of input wires (black, white, and ground wire). Both of the fan and lights will be controlled by the remote control.

② This fan can only be connected to the Wall Control Switch (H), not other dimmer switch.

6. Install the Fan Blade

Step 1. Align the Fan Blades with the holes on the Fan Motor Assembly, fix them with Fan Blade Screw.

Note: Make sure to assemble the blades in sequence and fasten the screws with equal force.

