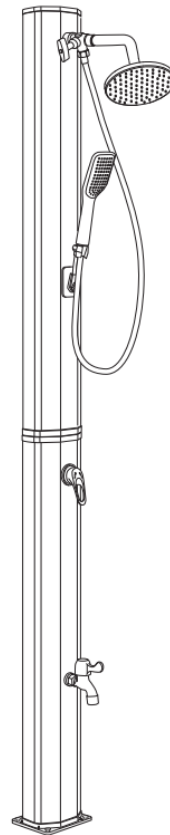


Outdoor shower column

Product ID. Q2XN6

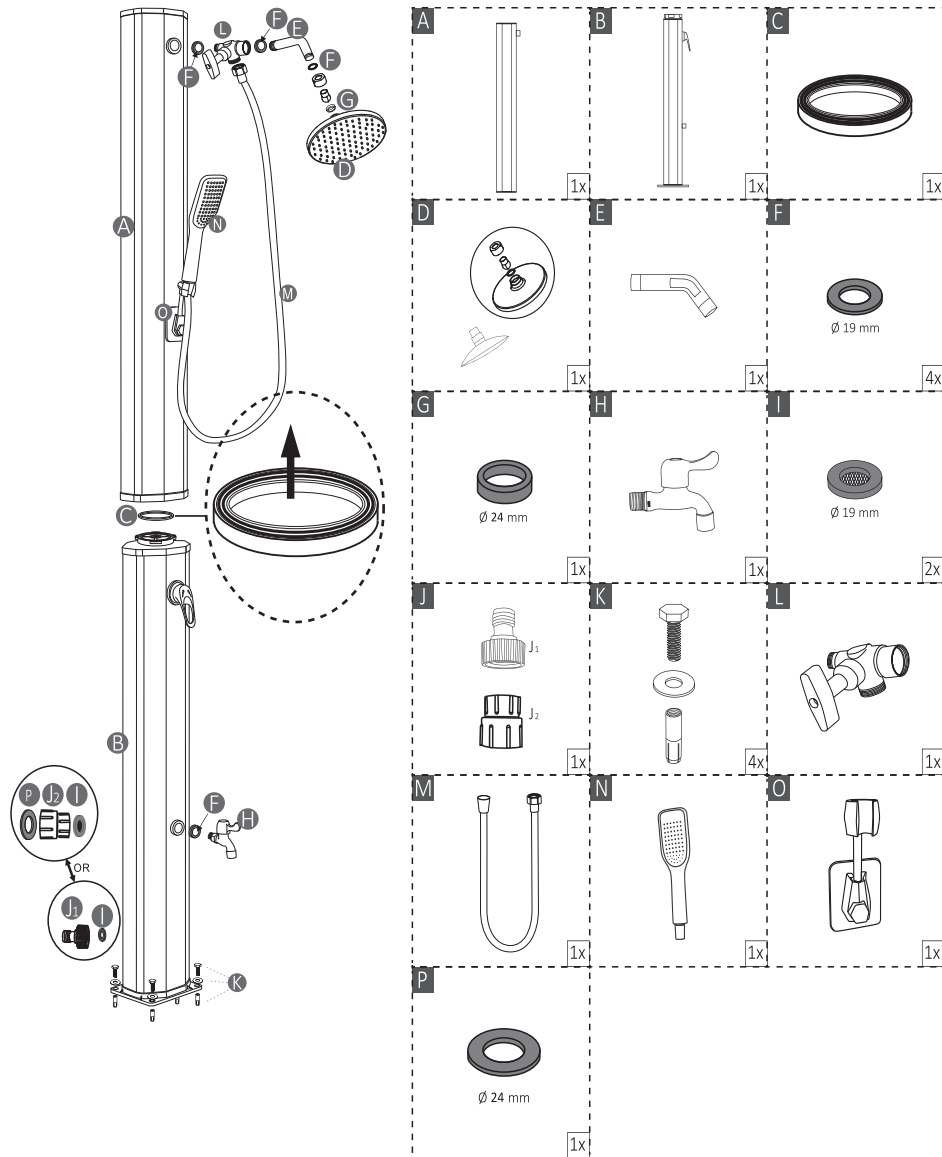


Scan for Support
support@garvee.com



Distributed by
GARVEE.com

Solar Shower Instruction



ASSEMBLY INSTRUCTIONS

1. Choose a location that can access sunlight for your solar shower.
2. Attach the lower stand with a shower base (B) to a concrete slab or wood base using four bolts, washers and nuts (K). It is recommended to use a wrench.
3. Attach the shower head (D) to the extension pipe (E) using a gasket (G). Attach the extension pipe (E) to the diverter (L) using a gasket (F). Attach the diverter (L) onto the upper stand (A) using a gasket (F). Adjust these parts with your hands, do not use a wrench. Connect the diverter (L) and the hand shower (N) using the shower hose (M). Attach the holder (O) to the upper stand (A), then put the hand shower (N) onto the holder (O).
4. Place the O-ring (C) onto the lower stand (B).
5. Place the upper stand (A) onto the lower stand (B). Connect the hoses.
6. Turn the locking ring clockwise to connect the two stands (A & B). The handle and shower head (D) need to face in the same direction.
7. Attach the footwash (H) to the lower stand (B) using a gasket (F).
8. Attach connector (J1) with gasket (I) or connector (J2) with gasket (P) and gasket (I) to the lower stand (B).

SETTING UP THE SOLAR SHOWER

1. Open the handle and turn it to 'hot', so no air pockets are trapped in the hose when filling with water.
2. Attach your garden hose to the hose connector (J1 General standard or J2 US standard). Turn on the water to fill the solar shower, it will take a few minutes to fill up.
3. When the water flows out of the shower head (D) turn the handle off. The water will begin to heat.
4. Depending on the amount of sunlight and the current temperature, the solar shower will take approximately two hours to fully heat.
5. Water temperature can reach up to 60°C in direct sunlight.

WARNING: Turn the handle to 'cold' before using to avoid scalding. Then adjust to your desired temperature.

DURING WINTER

1. Turn off and disconnect the garden hose.
2. Turn the handle to 'hot' so the water can drain. This takes approximately 8-10 minutes. Do not turn the handle when draining, otherwise it will stop.
3. Turn the locking ring anticlockwise to detach the upper stand (A) from the lower stand (B). Disconnect the hose so the water can run drain.
4. Disassemble the lower stand (B) and pour the remaining water out of the solar shower.
5. Clean and dry all the shower parts.
6. Keep the parts in a dry indoor location during winter to prevent damage.

ATTENTION

- Do not use salt or other anti freezing methods.
- Recommended water pressure: Maximum 3.5 bars. Never use an additional pump or domestic water supply for the solar shower.
- Before using, let the water run for several minutes to rid the smell of plastic and oil.

GARVEE
support@garvee.com