

# INSTRUCTION MANUAL

---

Storage Cabinet

## NOTICE

### **Please retain these instructions for future reference.**

- Please do not exceed the weight limitations of this item.
- Do not stand on or use any part of this item as a step ladder.
- Firmly secure all bolts, screws and knobs before use.
- Reconfirm that all bolts, screws, and knobs are secure every 90 days.
- Do not use or store this item in the proximity of open flame or flammable/combustible chemicals.
- If any parts are missing, broken, damaged, or worn, stop using this product until repairs are made and/or factory replacement parts are installed.

The manufacturing process can very occasionally result in sharp edges/waste material so please take care when assembling this product.

- Ensure your product is sited on level ground and attach to the wall. Failure to do this may put additional stress on connections and joints and in time could cause them to fail.

## About Our Wood

Our products uses only premium lumber, ensuring the safest product for your use. Although we take great care in selecting the best quality lumber available, wood is still a product of nature and susceptible to weathering which can change the appearance of your set.






What causes weathering? Does it affect the strength of my products?

One of the main reasons for weathering is the effects of water (moisture); the moisture content of the wood at the surface is different than the interior of the wood. As the climate changes, moisture moves in or out of the wood, causing tension which can result in checking and or warping. You can expect the following due to weathering. These changes will not affect the strength of the product:

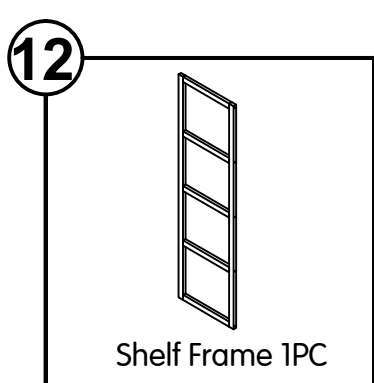
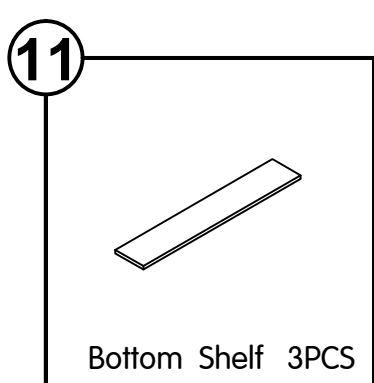
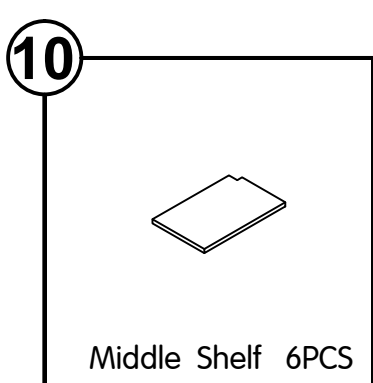
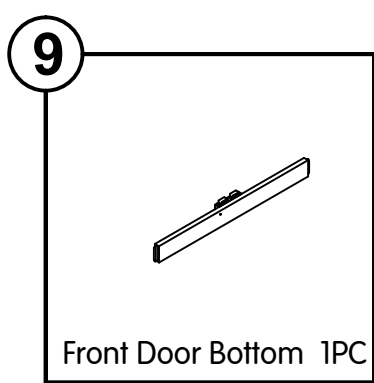
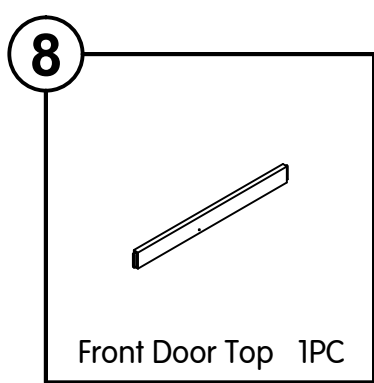
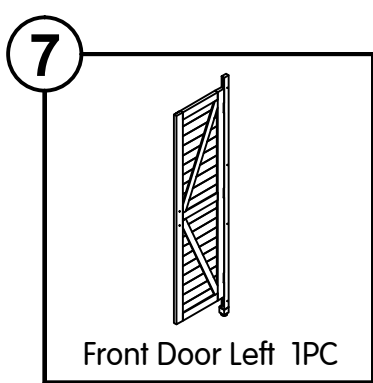
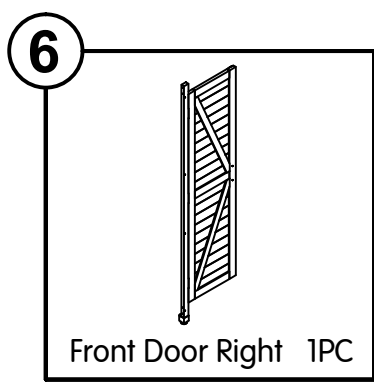
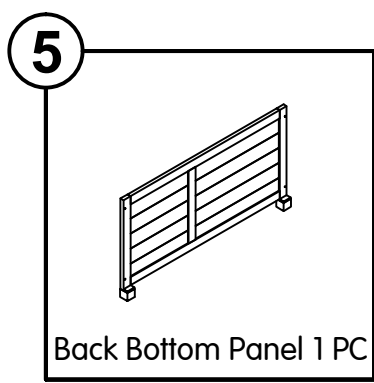
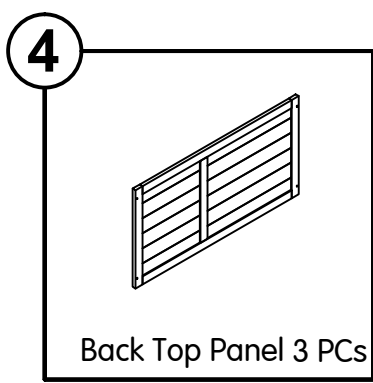
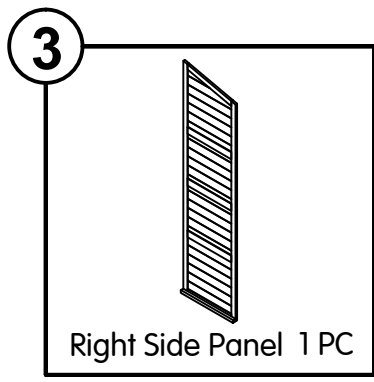
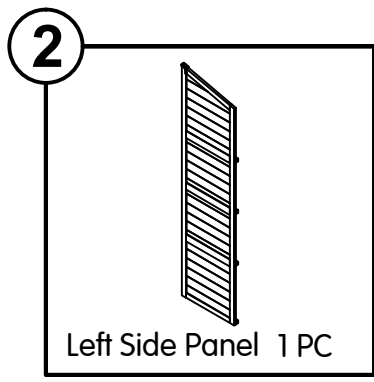
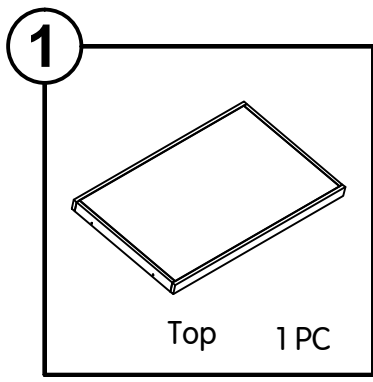
1. Checking is surface cracks in the wood along the grain.
2. Warping results from any distortion (twisting, cupping) from the original plane of the board and often happens from rapid wetting and drying of the wood.
3. Fading happens as a natural change in the wood color as it is exposed to sun-light and will turn a grey over time.

How can I reduce the amount of weathering to my products ?

Sunlight will break down the wood or coating, applying a water repellent or stain on a yearly basis is important maintenance. (see your local stain and paint supplier for a recommended product)

| TOOLS RECOMMENDED  |   |  |
|--|---|--|
| <br>PHILLIPS<br>SCREWDRIVER | <br>SCREWDRIVER          | <br>50 LBS<br>SHELF<br>CAPACITY |
|  | <br>2 PERSON<br>ASSEMBLY | <br>45Min<br>BUILD TIME       |

# PARTS



# HARDWARE

**a**

M3x28mm  
SCREW



6 PCS

**b**

M4x40mm  
SCREW



24 PCS

**c**

M4x45mm  
SCREW



6 PCS

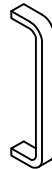
**d**

M4x60mm  
SCREW



8 PCS

**e**



2 PCS

**f**

M4x25mm  
BOLT



4 PCS

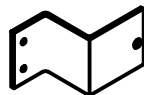
**g**

M3x20mm  
SCREW



4 PCS

**i**



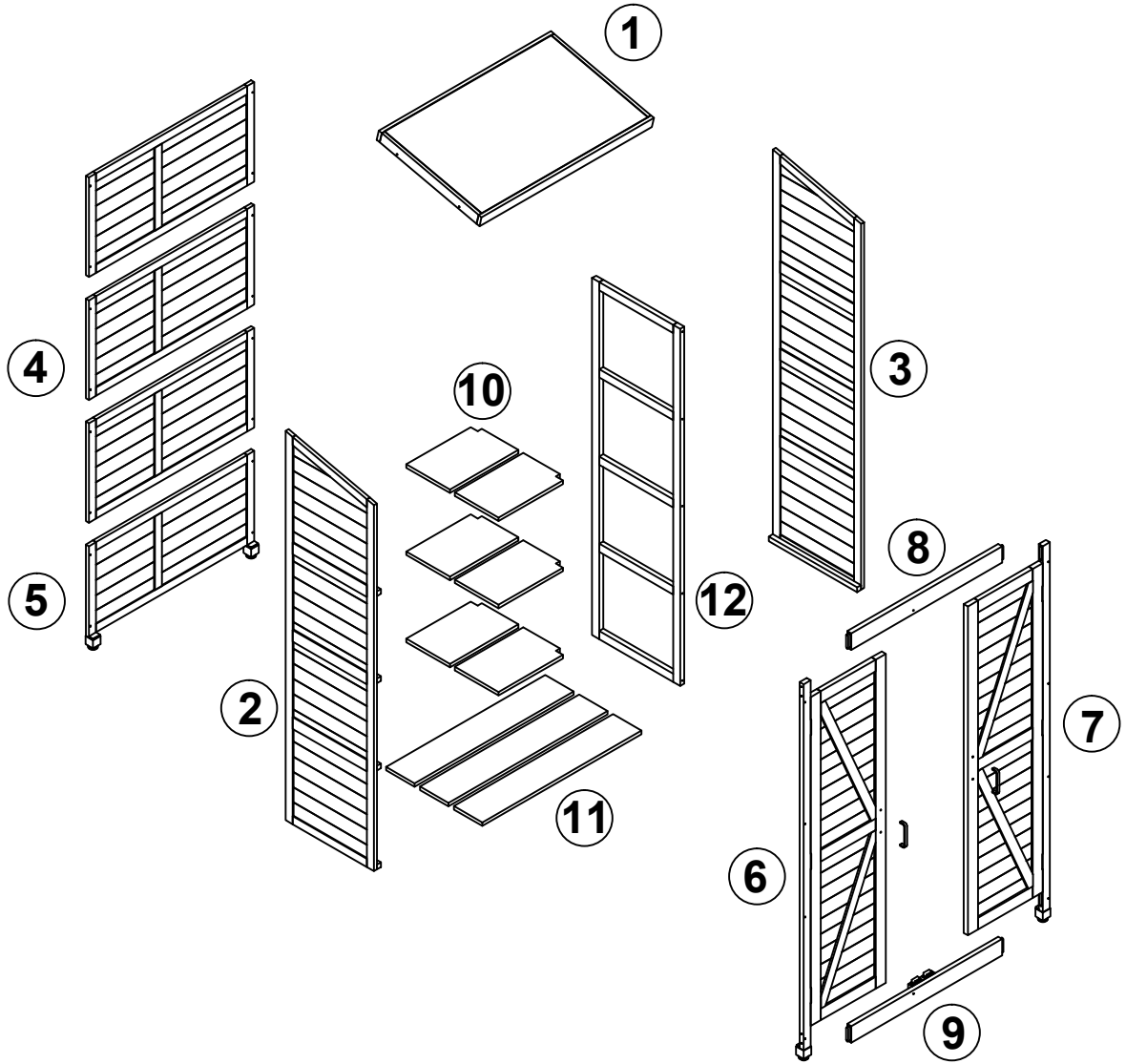
2 PCS

**j**



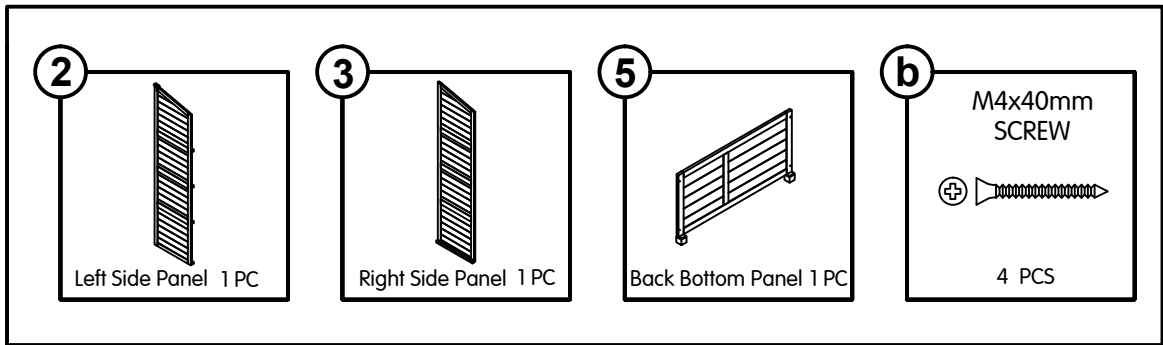
2 PCS

**Note: To Save installation Time, It's Recommend to identify Components before Assembly!**

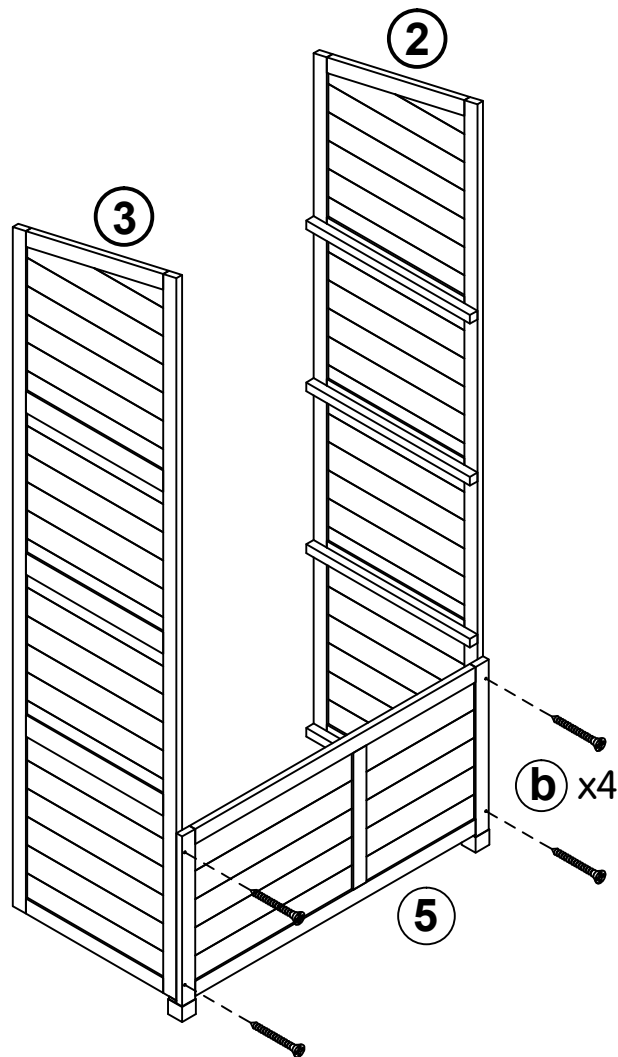


# PRODUCT ASSEMBLY

1



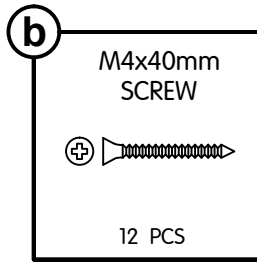
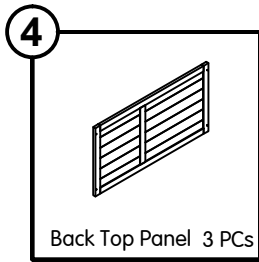
Attach the Back Bottom Panel to the long side of Left and Right Panel.



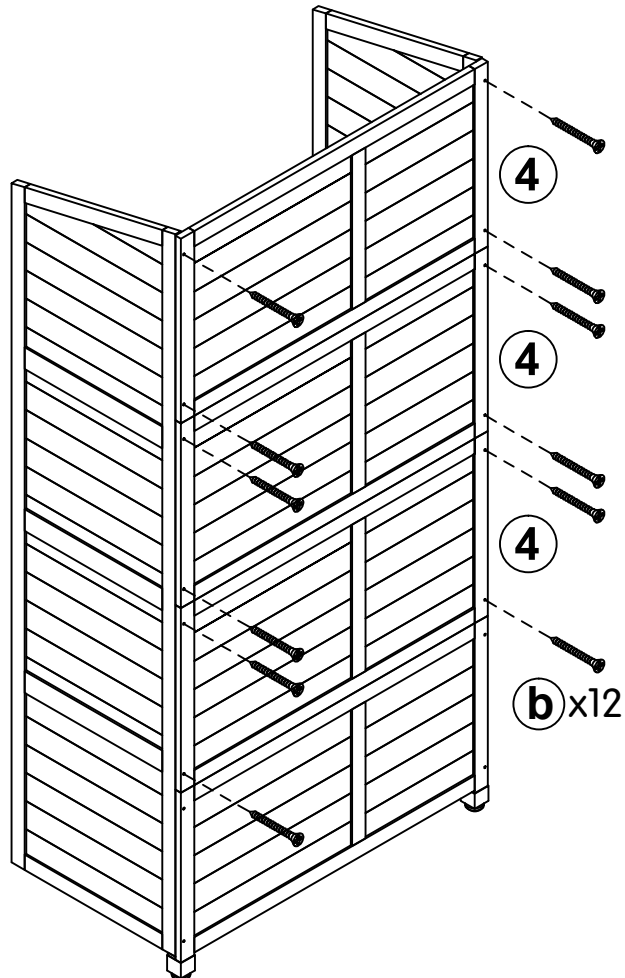
7

# PRODUCT ASSEMBLY

2

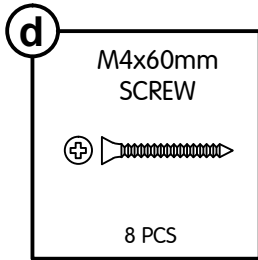
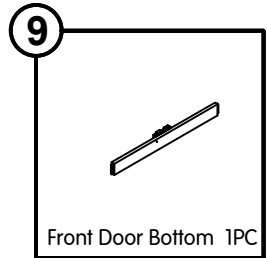
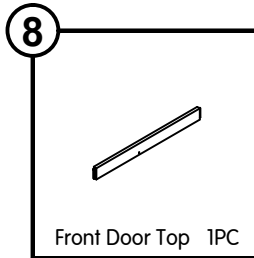
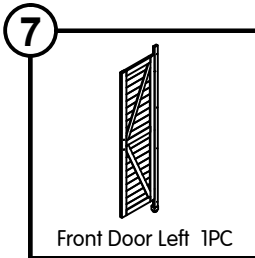
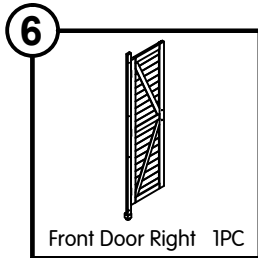


Attach the Back Panel to the Left and Right Rannel.

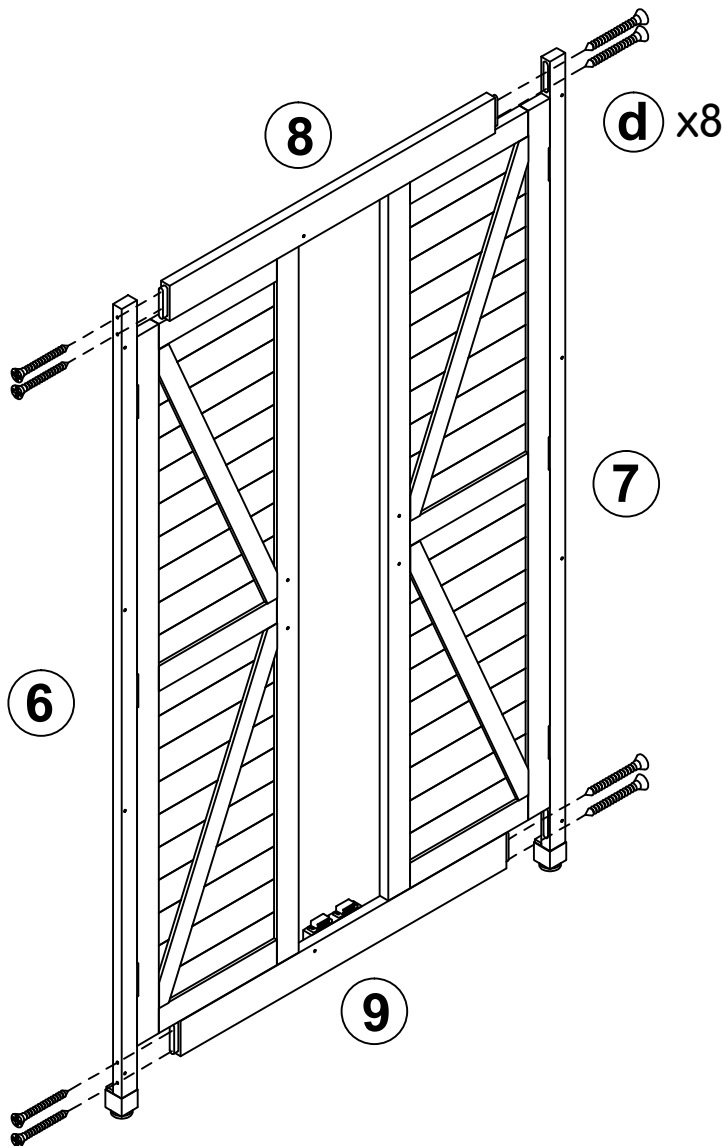


# PRODUCT ASSEMBLY

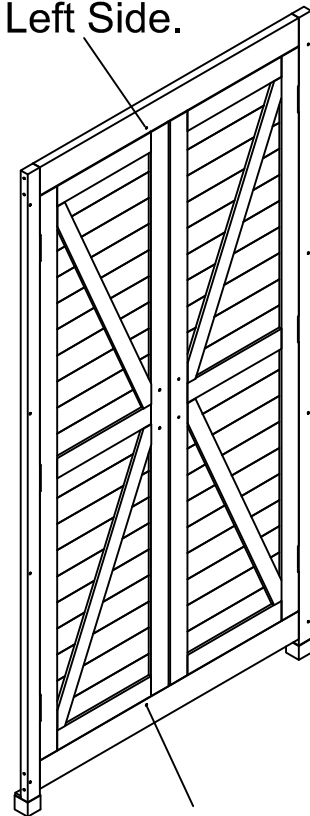
3



Note the Direction during Assembly the Front Door.



Predrill Hole on  
the Left Side.

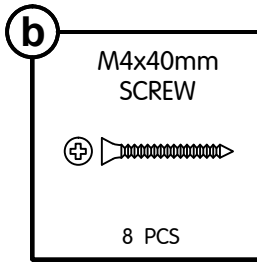


Predrill Hole on  
the Left Side.

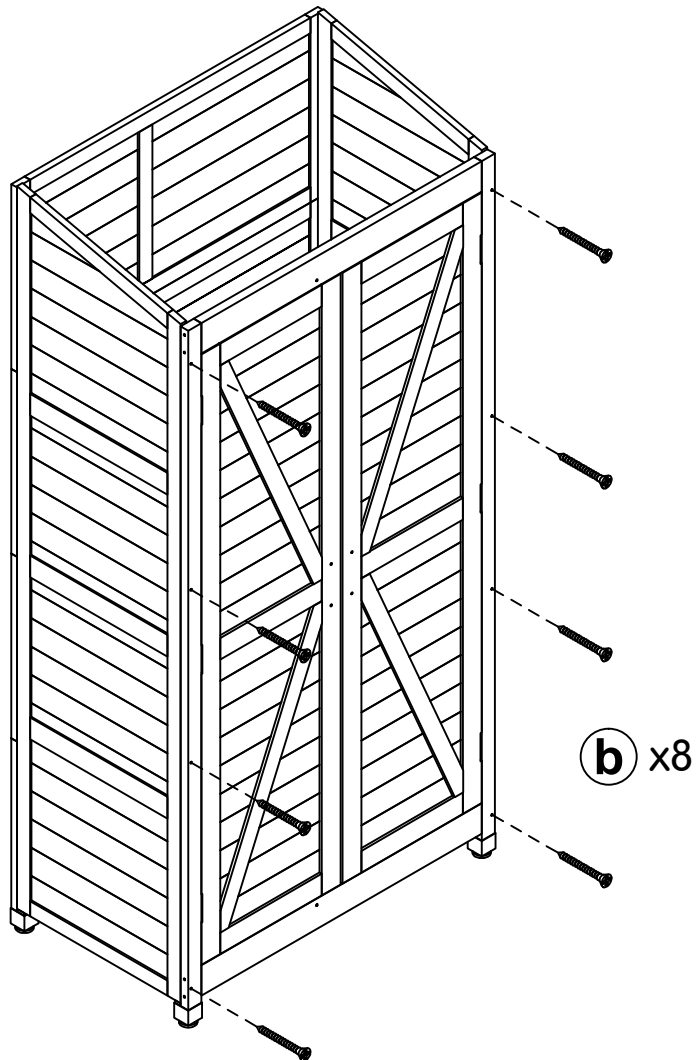
9

# PRODUCT ASSEMBLY

4

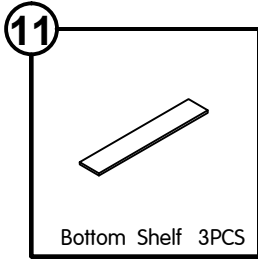


Assembly the Front Door to the Main Part.

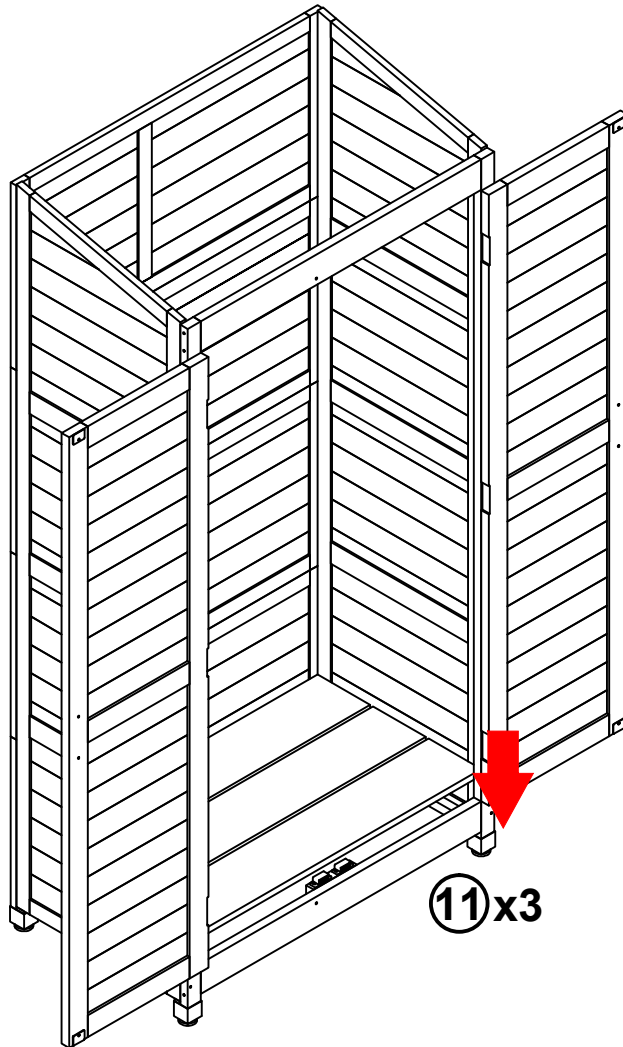


# PRODUCT ASSEMBLY

5

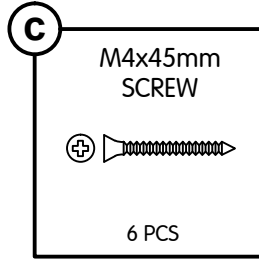
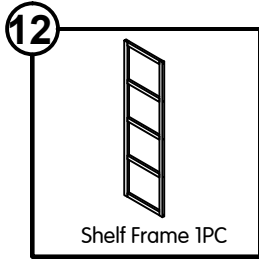


Put the Bottom Shelf to the Cabinet.

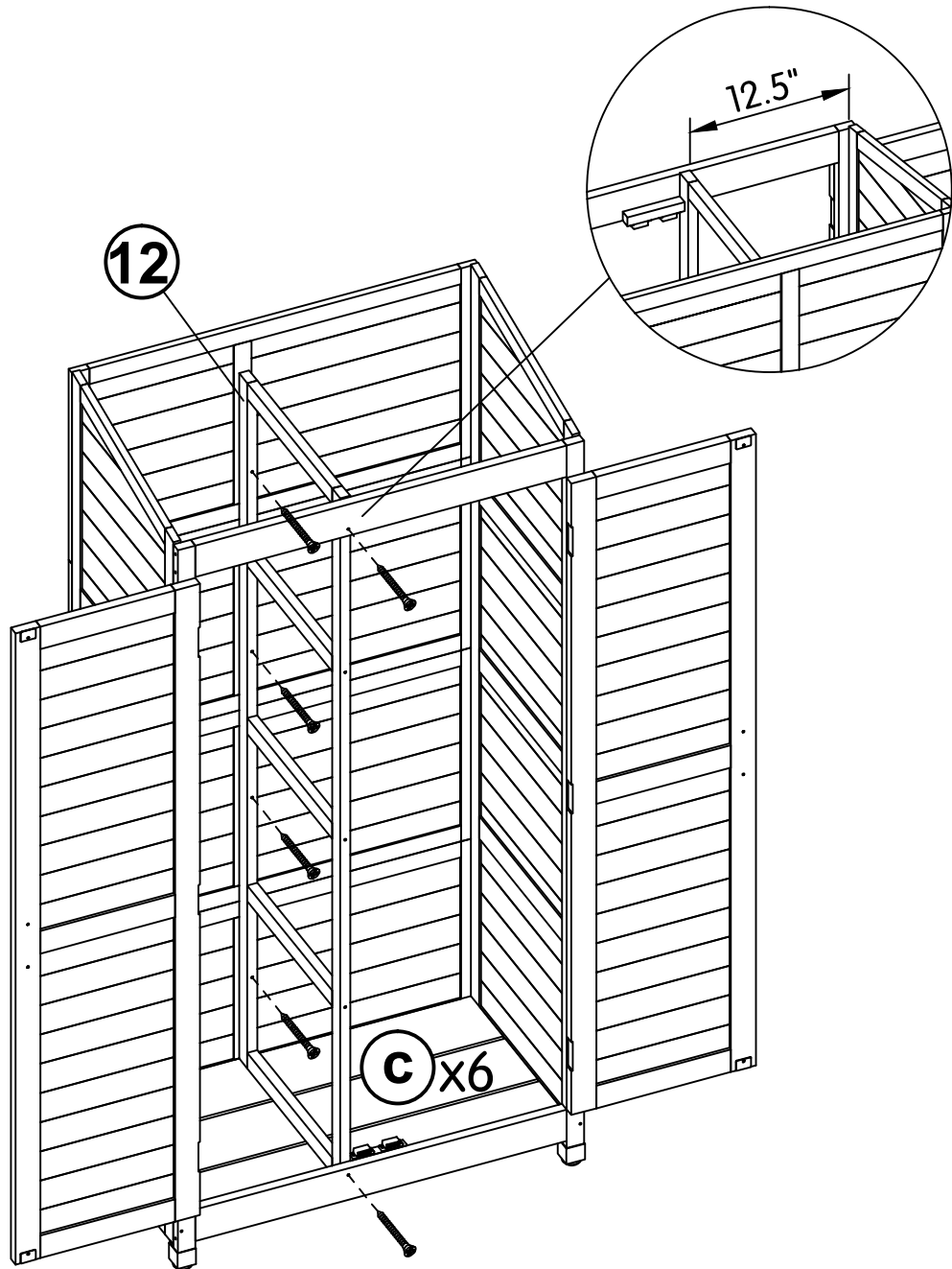


# PRODUCT ASSEMBLY

6

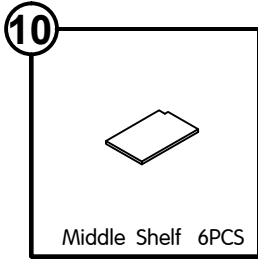


Assembly the Shelf Frame to the Cabinet.

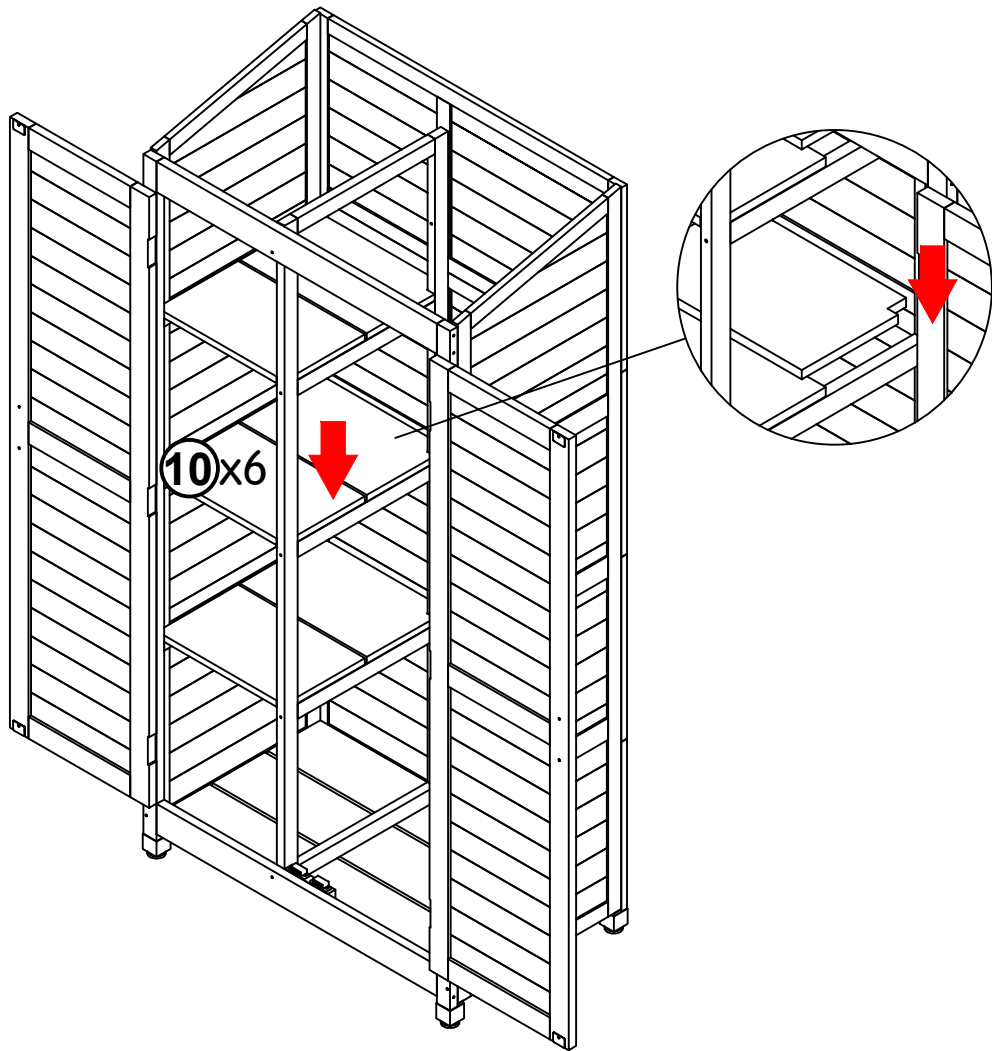


# PRODUCT ASSEMBLY

7

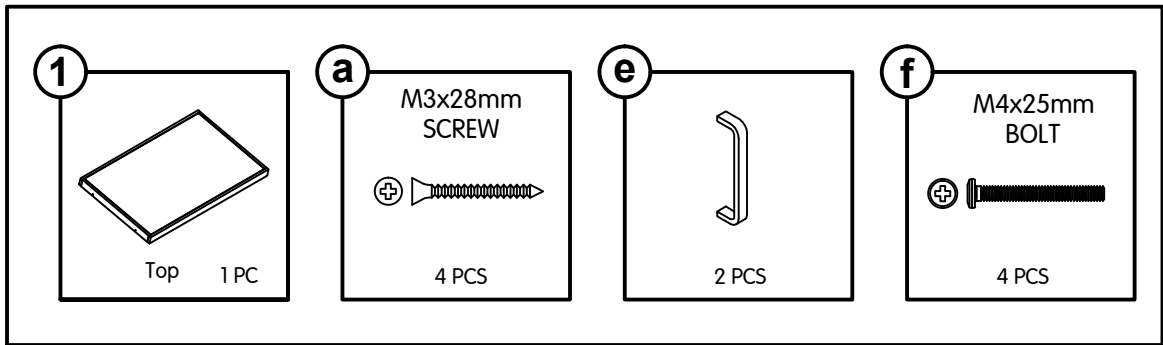


Put the Middle Shelf into Place.

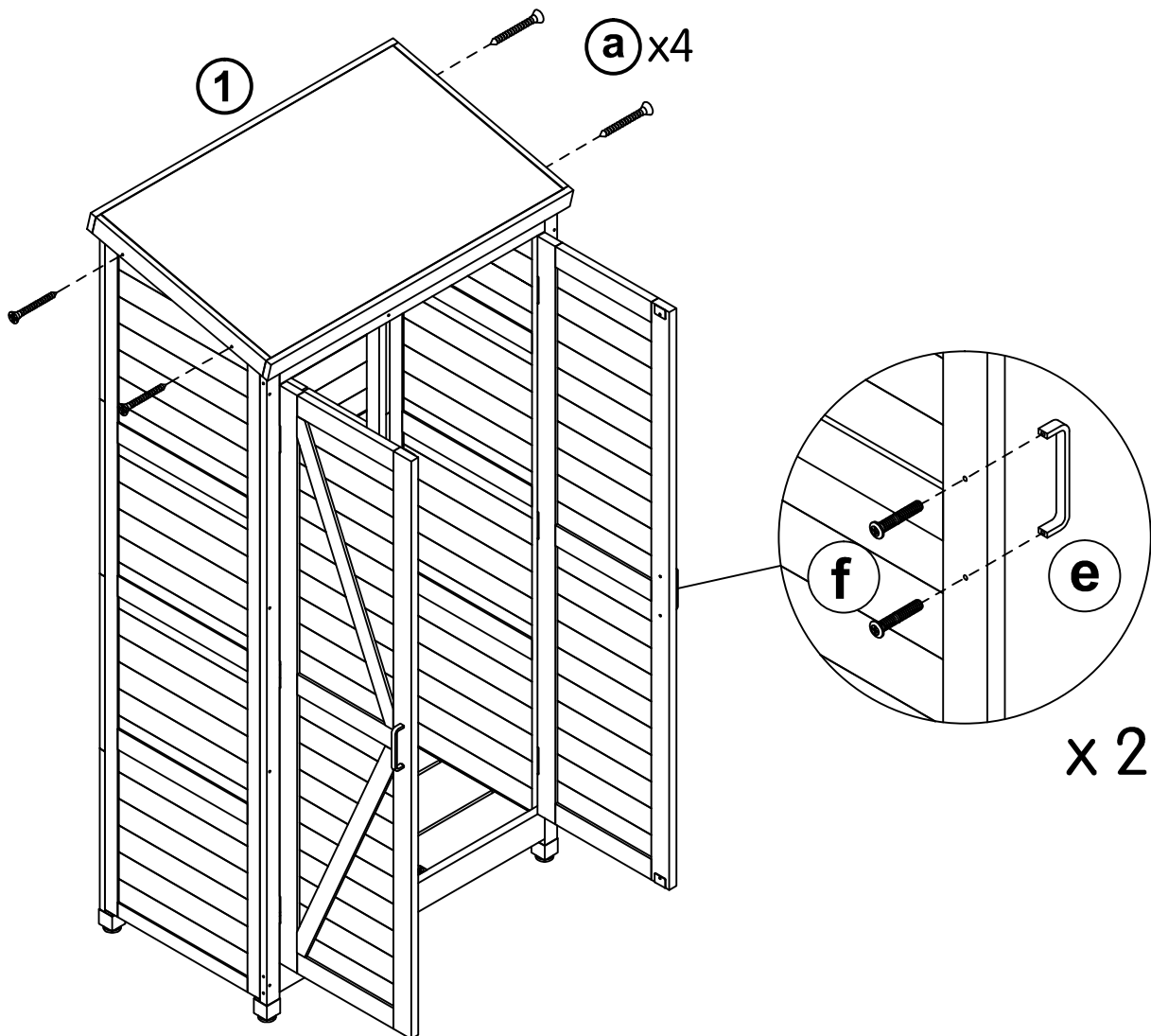


# PRODUCT ASSEMBLY

8

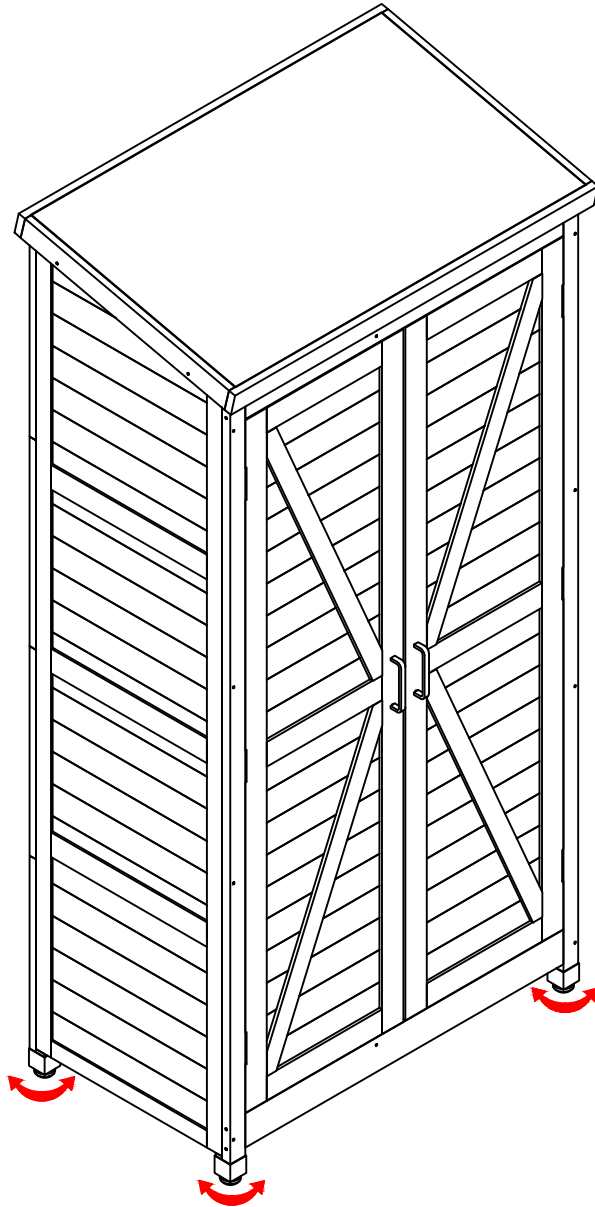


Attach the Top and the Handle.



# PRODUCT ASSEMBLY

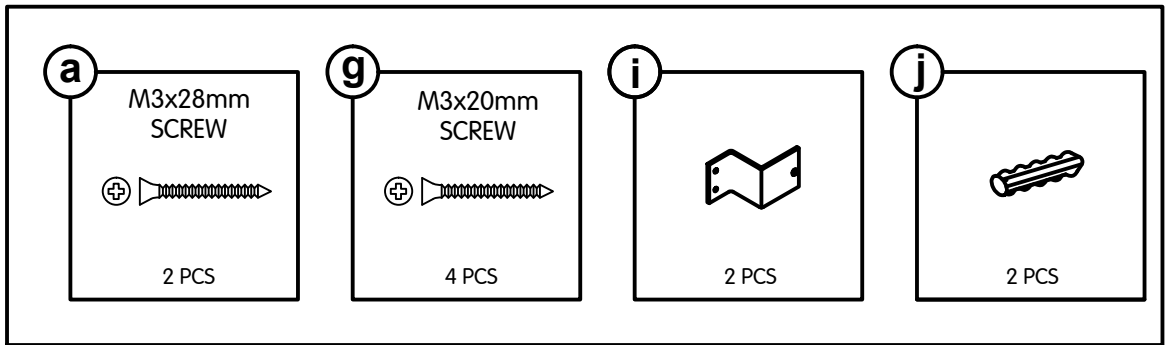
9



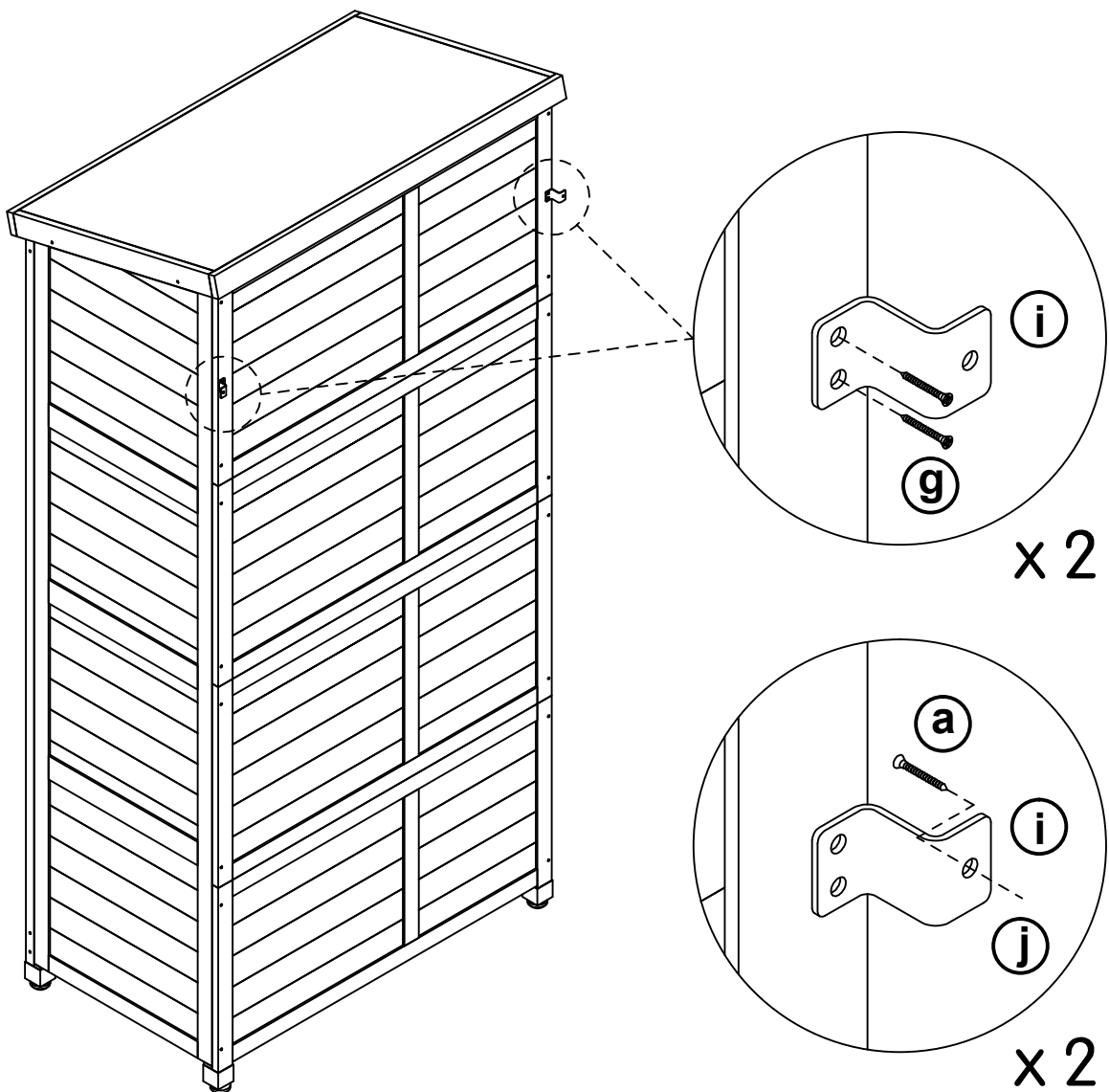
Adjust the plastic feet if necessary.

# PRODUCT ASSEMBLY

10



It is highly Recommended to Put the Cabinet against the wall and Lock Tight.



Attach the bracket to the cabinet using (g) screws.  
Attach the cabinet to the wall using (a) screws.