

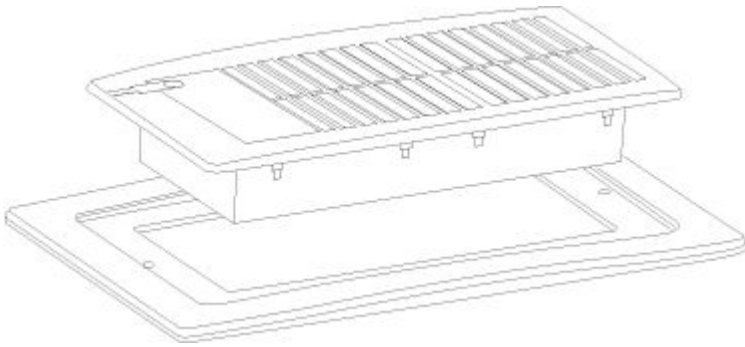
FLUSH FIT **REGISTER BOOSTER™**

Back

ADAPTER PLATE INSTRUCTIONS FOR THE FLUSH FIT REGISTER BOOSTER MODEL HC500

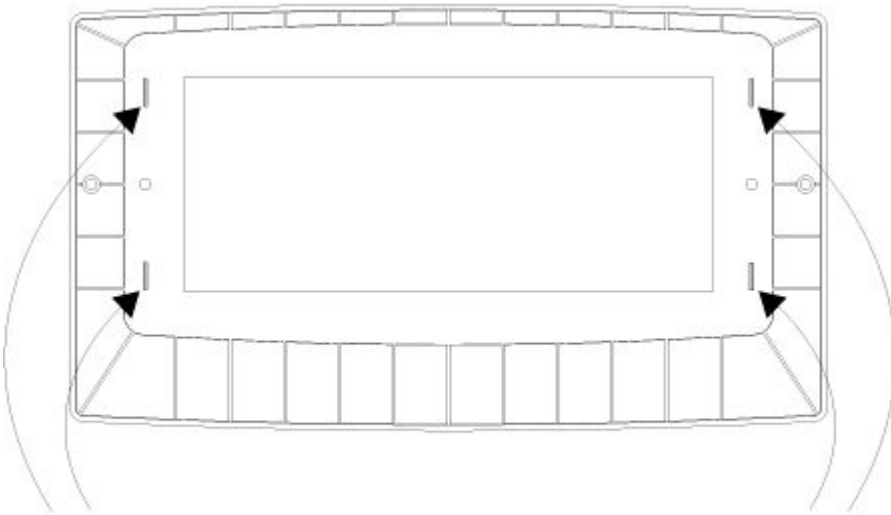
ASSEMBLY INSTRUCTIONS

Insert the HC500 Flush Fit Register Booster into the adaptor plate. The small tabs on the side of the Register Booster should snap into place when unit is installed in the adaptor plate.



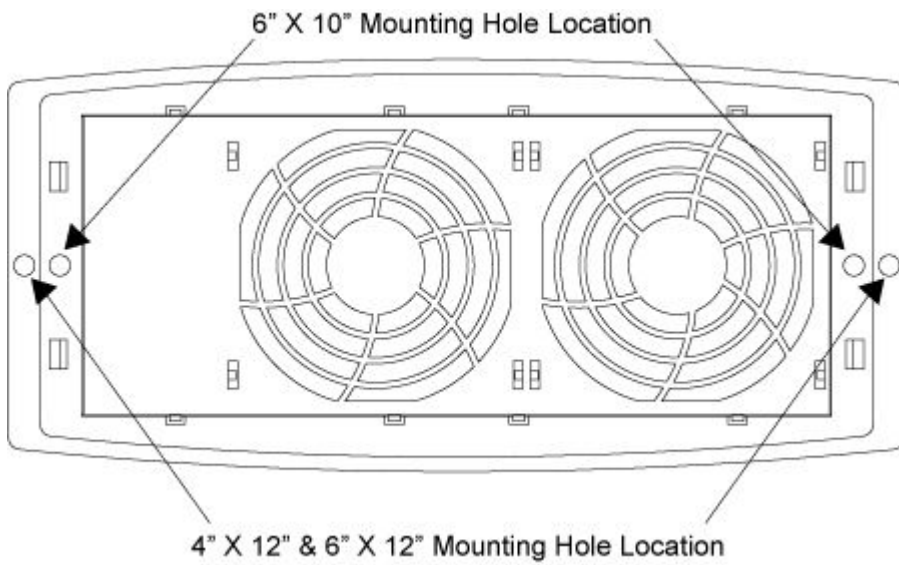
FLOOR MOUNT INSTRUCTIONS 4" X 12", 6" X 10" & 6" X 12"

1. Plug the small molded end of the power cord into the top of the Register Booster.
2. Plug the wall transformer end of the power cord into a 120 Volt AC outlet.
3. Follow directions for operation settings before placing in register.
4. Remove floor register and replace with the Register Booster and adaptor plate.



Remove tabs with pliers for 6" X 10" floor/wall installation.

WALL MOUNT INSTRUCTIONS 4" X 12", 6" X 10" & 6" X 12"



1. Locate and drill the 6" X 12" or 4" X 12" or 6" X 10" wall mount holes using a 3/16" drill bit.
2. Drill (2) holes with a 3/16" drill bit from the bottom side of the Register Booster grille. The holes should be drilled in the pre-molded location as pictured below.
3. Plug the small molded end of the power cord into the top of the Register Booster.
4. Plug the wall transformer end of the power cord into a 120 Volt AC outlet.
5. Follow directions for operation settings before placing in register.
6. Remove the wall register and replace with the assembled Register Booster and adaptor plate.
7. Secure in place.

www.suncourt.com
SUNCOURT INC. • P.O. BOX 40 • DURANT, IOWA 52747-0040
1-800-999-FANS (3267)

