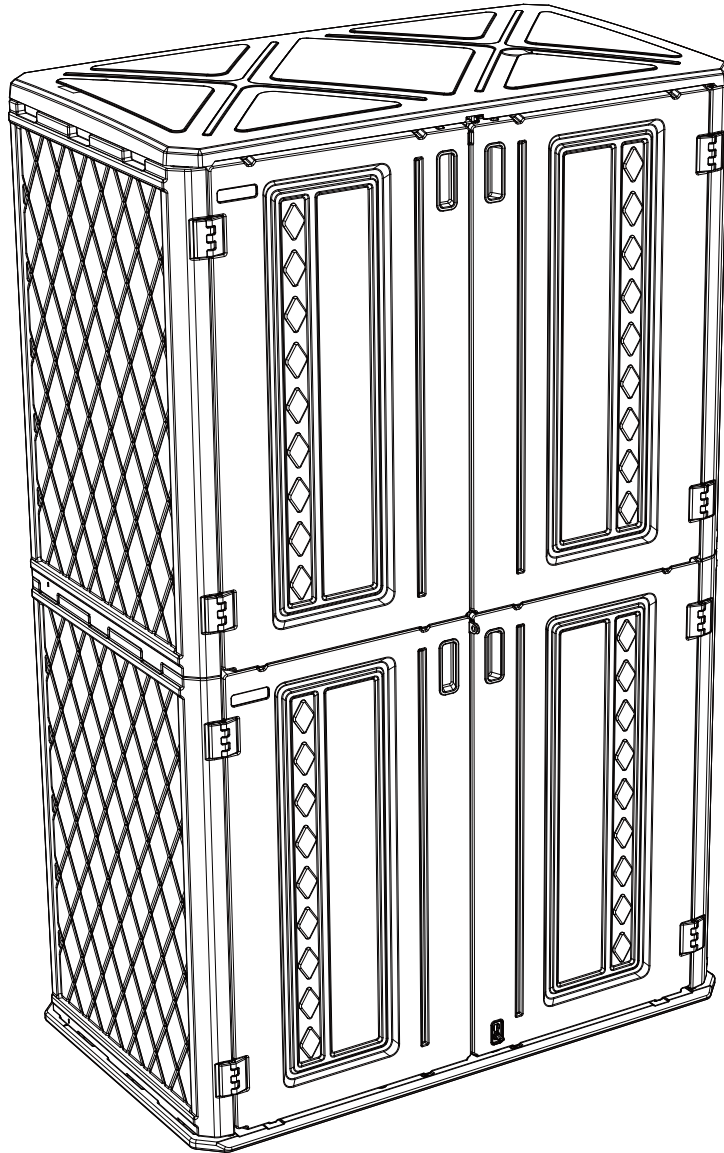


STORAGE CABINET

Installation Manual

—Double layer



facebook



INS



WhatsApp

If you have any questions or suggestions about the product, please contact us.
Thank you for your support!

ABOUT PRODUCT ASSEMBLY

Do not to assemble the storage shed on severe cold or strong windy days.

We would advise 2 person to assist in the assembly of the storage shed to secure parts in place.

Please check your package according to the PARTS LIST in the instructions to ensure that there are no missing or damaged before you starting assembly, kindly contact us if you find any wrong.

Please read instructions thoroughly prior to assembly, assemble all the parts according to the directions in this instructions, do not skip and steps

There have (Parts NO, Specifications and Quantity) are imprinted on each kind of part for easy identification

KINYING company provides extra hardware for use as spare parts for customer convenience. **Please save the spare parts.**

We would kindly advise you to follow the instructions in the manual to install, wrong assembly methods can result in damage to the inside of the hole to create links between the panels loose or unable to assembled properly.

ABOUT PRODUCT MAINTENANCE

This storage shed should be far away from the open flame.

Do not use the storage shed in extreme weather conditions.

Do not stack more than 20 kg items on the storage shed roof all the time in case deformation of the roof.

At regular check the storage shed to ensure that it's stable and assembly integrity has been maintained.

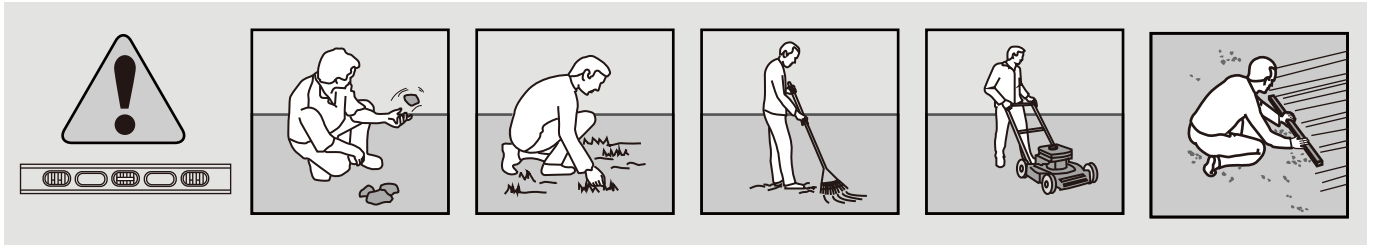
Please keep doors closed and locked outdoor when the storage shed is not in use long time to prevent wind damaged or damaged by animals or bad people.

Do not store hot items(recently used grills, blowtorches etc.),flammable or caustic chemicals in the storage shed.

Wash the storage shed with a mild soap and water if there is any stain on the storage shed. Do not use a stiff brush,bleach,ammonia or any other caustic cleaners, as these may damage the storage shed or could result in permanent staining of the plastic.This is not manufacturing defect and is not covered under warranty.

If the environment permits, install the storage shed in a cool place, as prolonged exposure to direct sunlight may deform the panel and accelerate aging.

LEVEL THE GROUND SURFACE



Level the ground surface before unpacking parts and beginning assembly.

REQUIRED TOOLS



Allen Key



Screwdriver

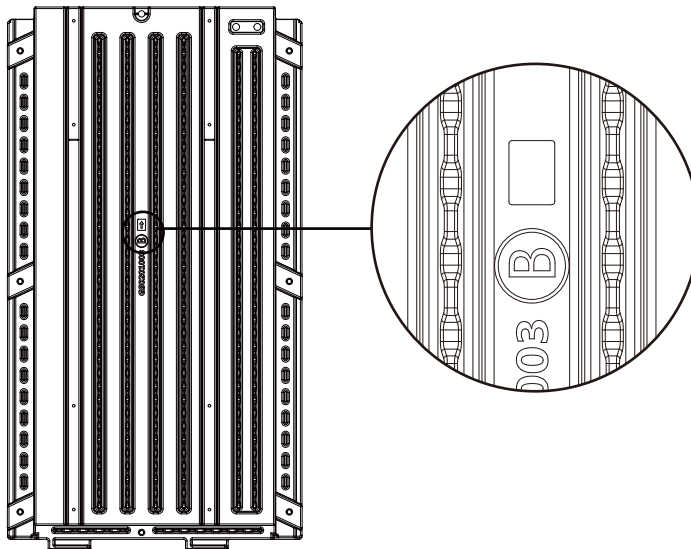
Not included in the accessory pack



electric drill

Not included in the accessory pack

PARTS NO. POSITION



Parts List

1 OF 3

NO.	Parts NO.	Parts Name	Material	Quantity	Specification
1	A	Floor	HDPE	1	50.24x29.06x1.38inches
2	H	Roof	HDPE	1	47.83x27.97x1.77inches

2 OF 3

NO.	Parts NO.	Parts Name	Material	Quantity	Specification
1	C	Left Back Panel	HDPE	1	40.16x23.78x0.98inche
2	B	Right Back Panel	HDPE	1	40.16x21.81x0.98inches
3	D	Left Side Panel	HDPE	1	40.16x27.32x4.72inches
4	E	Right Side Panel	HDPE	1	40.16x27.32x4.72inches
5	F	Left Door	HDPE	1	38.97x23.43x1.5inches
6	G	Right Door	HDPE	1	38.97x22.56x1.5inches
7	S1	Plastic Bolts	Plastic	8	M9.5x18.5 mm
8	S2	Plastic Bolts	Plastic	16	M9.5x25.5 mm
9	H1	Hinge	Plastic	10	70x60x25mm
10	L2	Latch -1	Plastic	1	88x42.4x12.8mm
11	L3	Latch -2	Plastic	1	88x43x13 mm
12	G1	Strength the Block	Metal	20	58x18x1.2 mm
13	C2	Fixing Piece for Roof	Metal	2	30x30x16 mm
14	L4	Right door L lock piece	Metal	1	36.5x20x15.5mm
15	L5	Left door L lock piece	Metal	1	39x20x20 mm
16	S4	M5.5x19	Metal	88	M5.5x19 mm
17	S3	M4x10	Metal	12	M4x10 mm
18		Instructions	/	1	
19		Spare Parts	/	1	

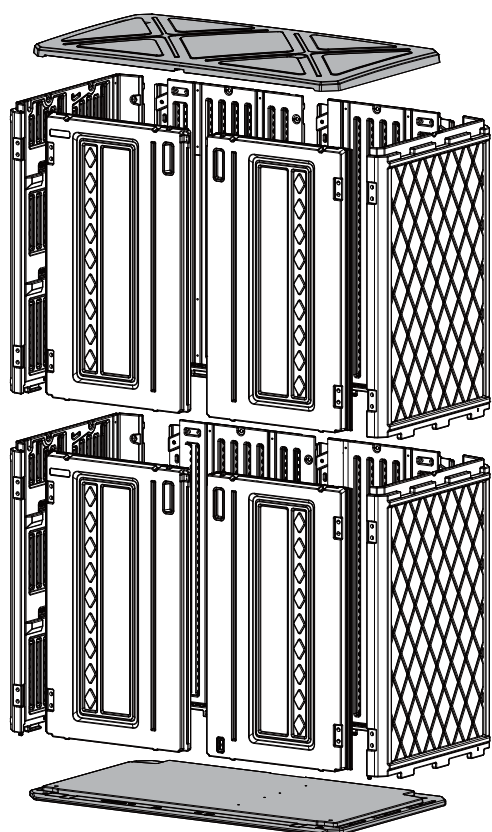
Parts List

3 OF 3

NO.	Parts NO.	Parts Name	Material	Quantity	Specification
1	C	Left Back Panel	HDPE	1	40.16x23.78x0.98inche
2	B	Right Back Panel	HDPE	1	40.16x21.81x0.98inches
3	D	Left Side Panel	HDPE	1	40.16x27.32x4.72inches
4	E	Right Side Panel	HDPE	1	40.16x27.32x4.72inches
5	F	Left Door	HDPE	1	38.97x23.43x1.5inches
6	G	Right Door	HDPE	1	38.97x22.56x1.5inches
7	C1	Strength the Connecting Rod	Metal	12	500x30x8 mm

Please save the spare parts

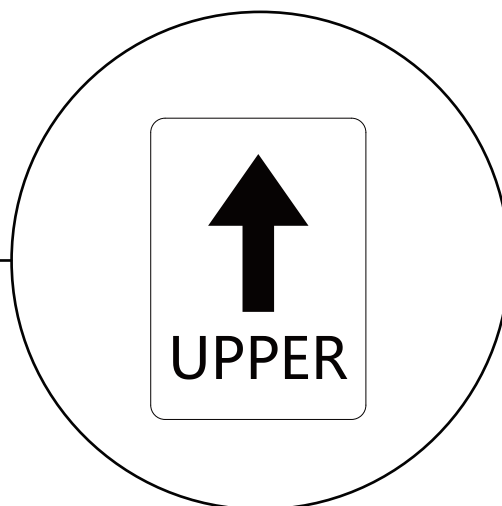
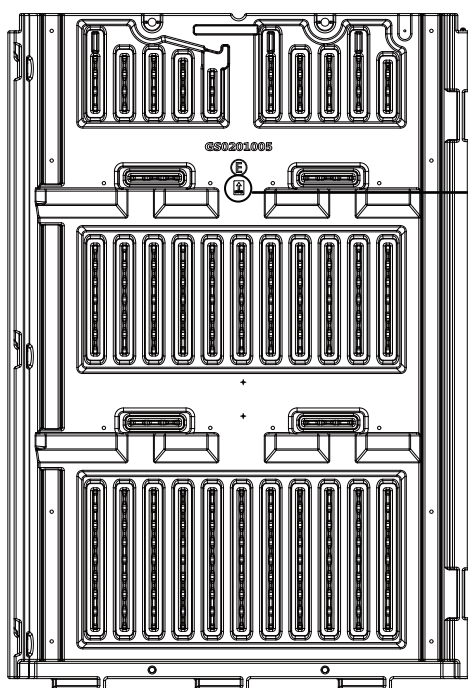
Package Details (2&3 carton)



The upper layer is
in the carton **3 OF 3**

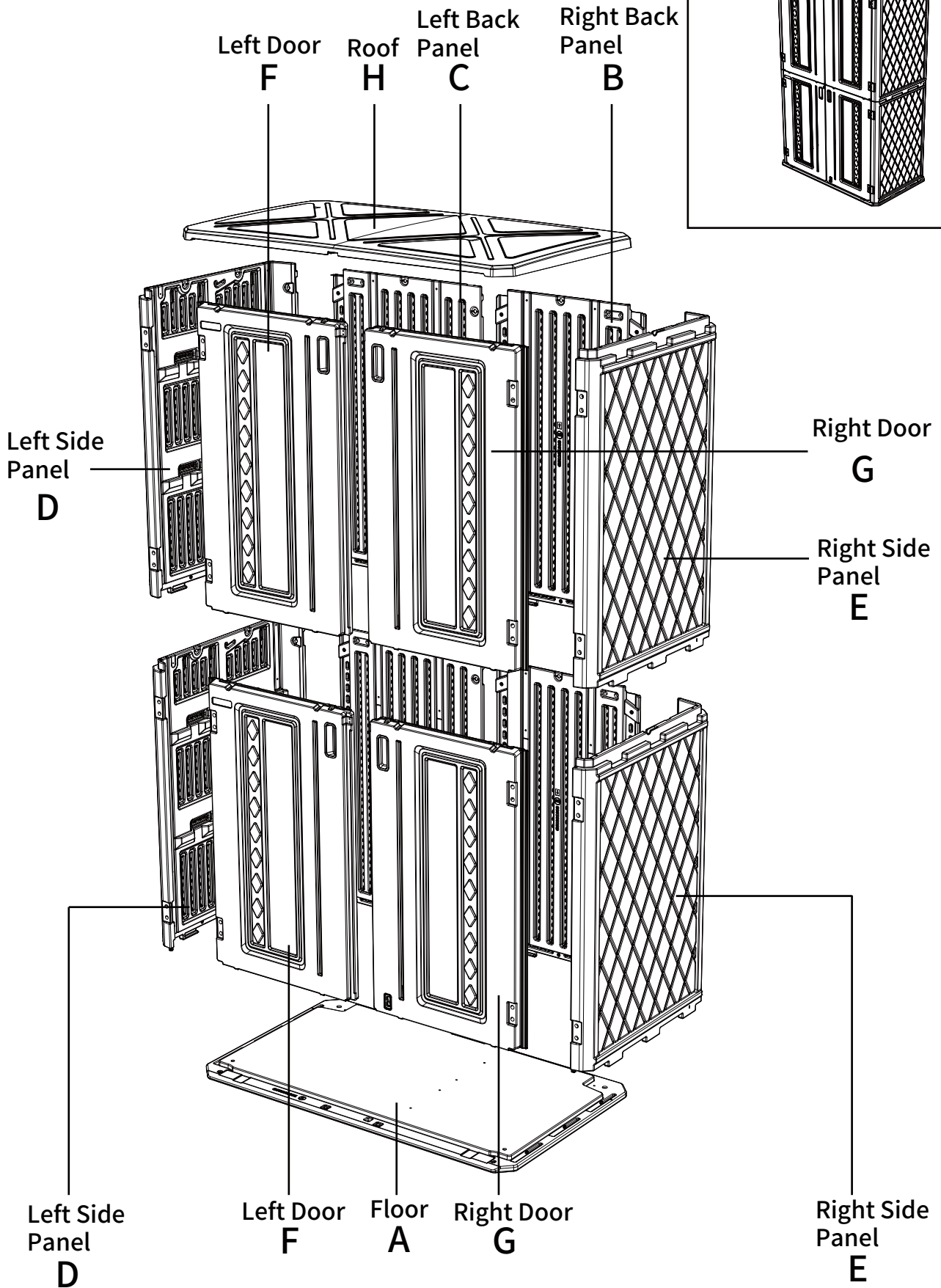
The bottom layer is
in the carton **2 OF 3**

Upper layer panel labels

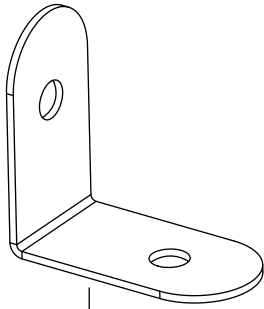


Panels with **UPPER** labels only
for upper layer installation

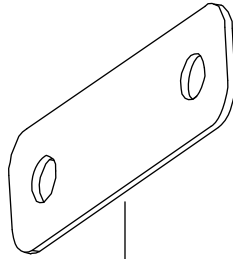
LIST INSTALLATION OVERVIEW



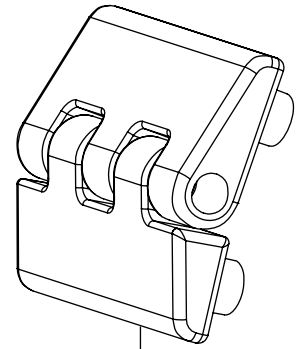
Hardware



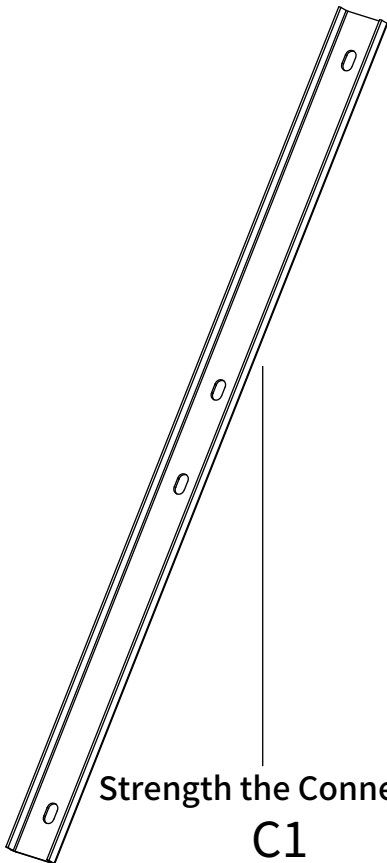
Fixing Piece for Roof
C2
2pcs



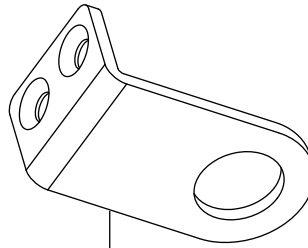
Strength the Block
G1
20pcs



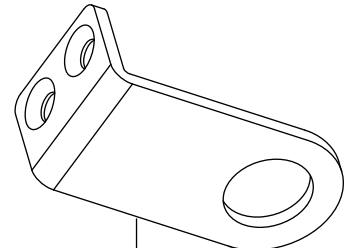
Hinge
H1
10pcs



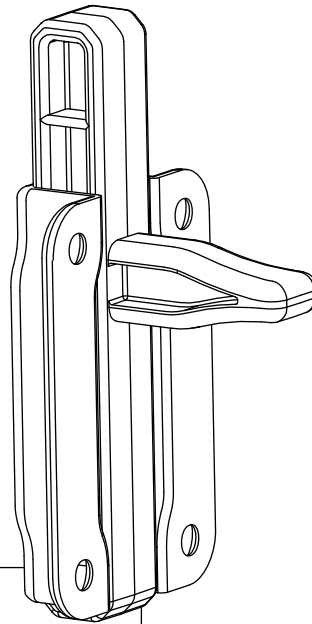
Strength the Connecting Rod
C1
12pcs



Right door L lock piece
L4
1pc

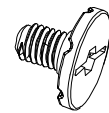


Left door L lock piece
L5
1pc

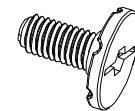


Latch -1
L2
1pc

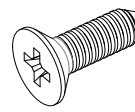
Latch -2
L3
1pc



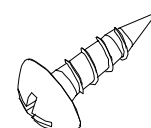
Plastic Bolts
S1
M9.5*18.5x8pcs



Plastic Bolts
S2
M9.5*25.5x16pcs



S3
M4x10x12pcs



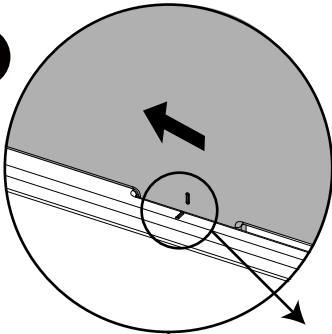
S4
M5.5x19x88pcs

Installation procedure

1 Install the back pane

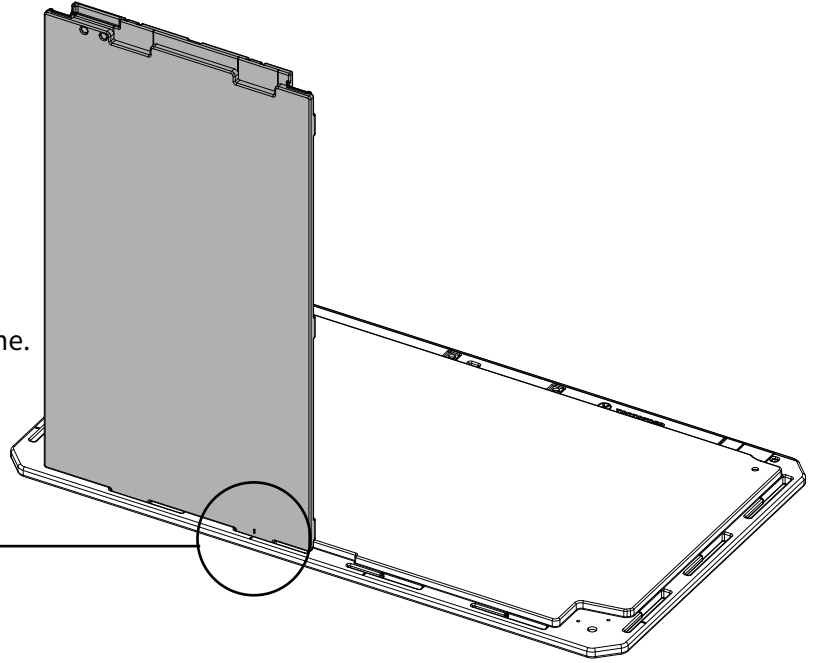
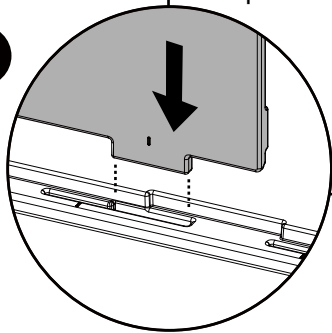


2

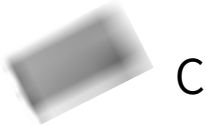


Align at point, position and line.

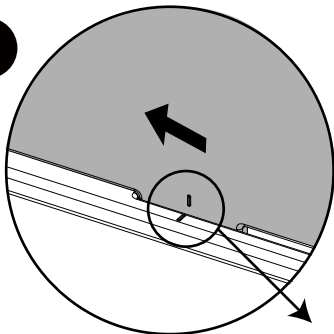
1



2 Install the back pane

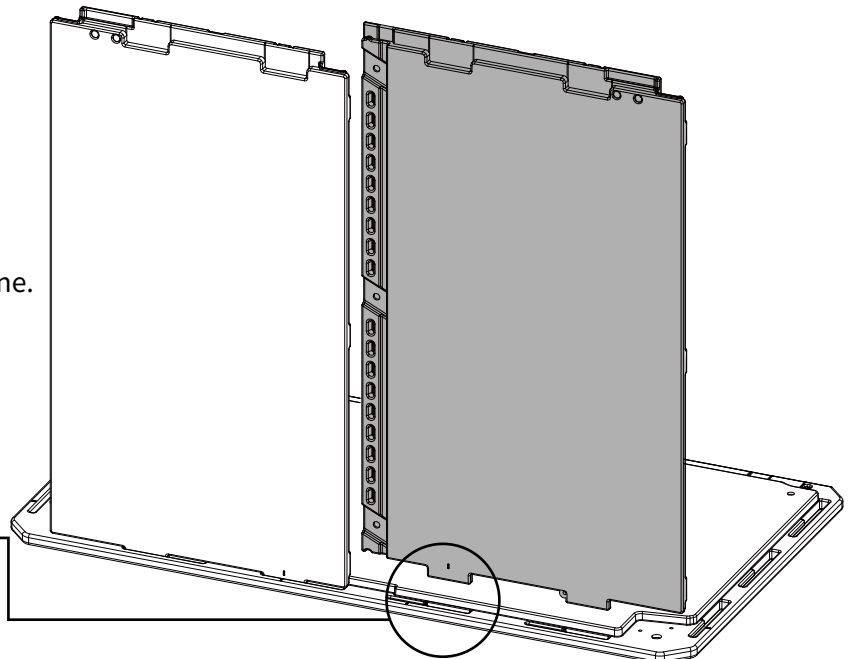
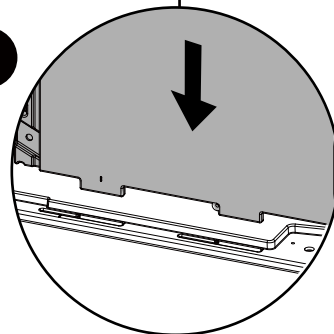


2



Align at point, position and line.

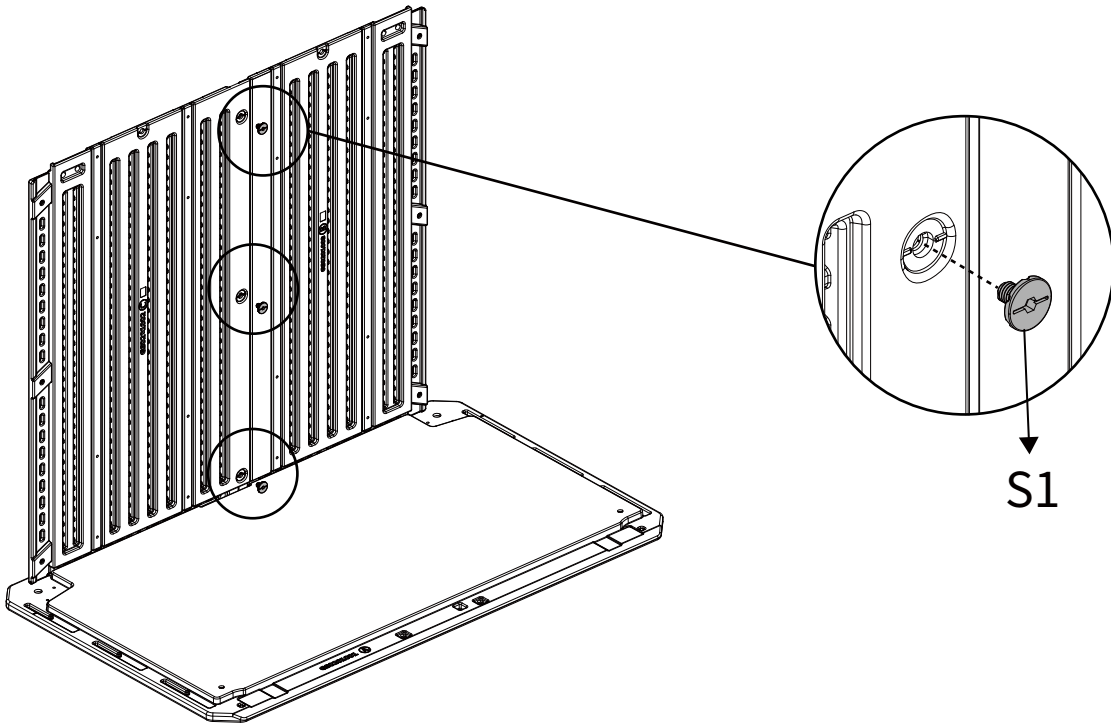
1



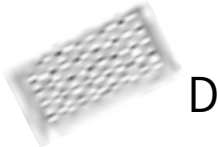
3 Install screws to the back pane



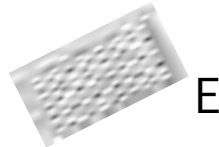
S1
M9.5*18.5X3pcs



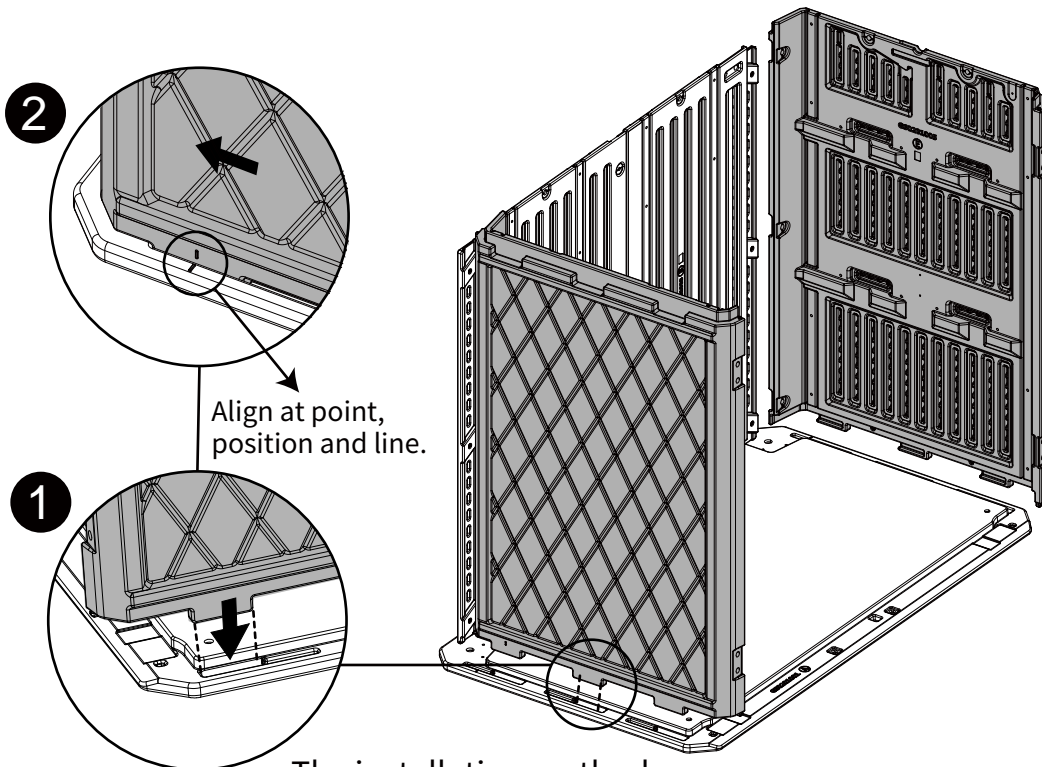
4 Install the side panels.



D



E

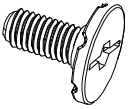


Align at point,
position and line.

The installation method
of left and right side
panels is consistent.

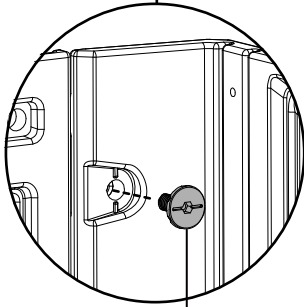
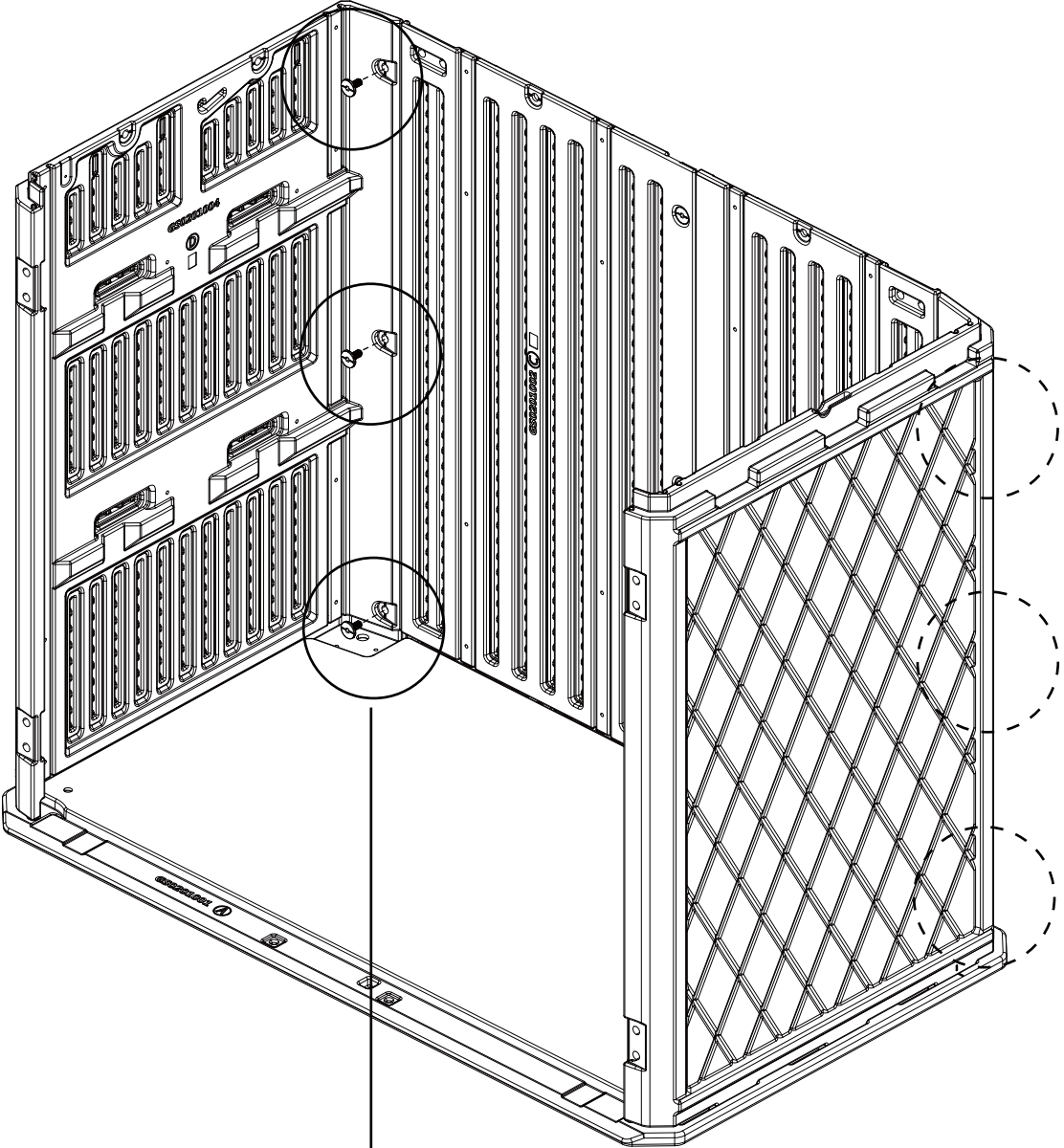
5

Install screws
to the side panels.



S2

M9.5x25.5x3pcs



S2

The left plate and the right plate are
fixed with the same mounting screws

6 Left back panel
(top) to install



C



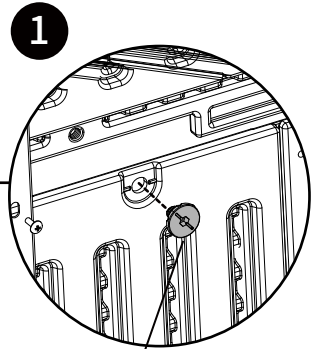
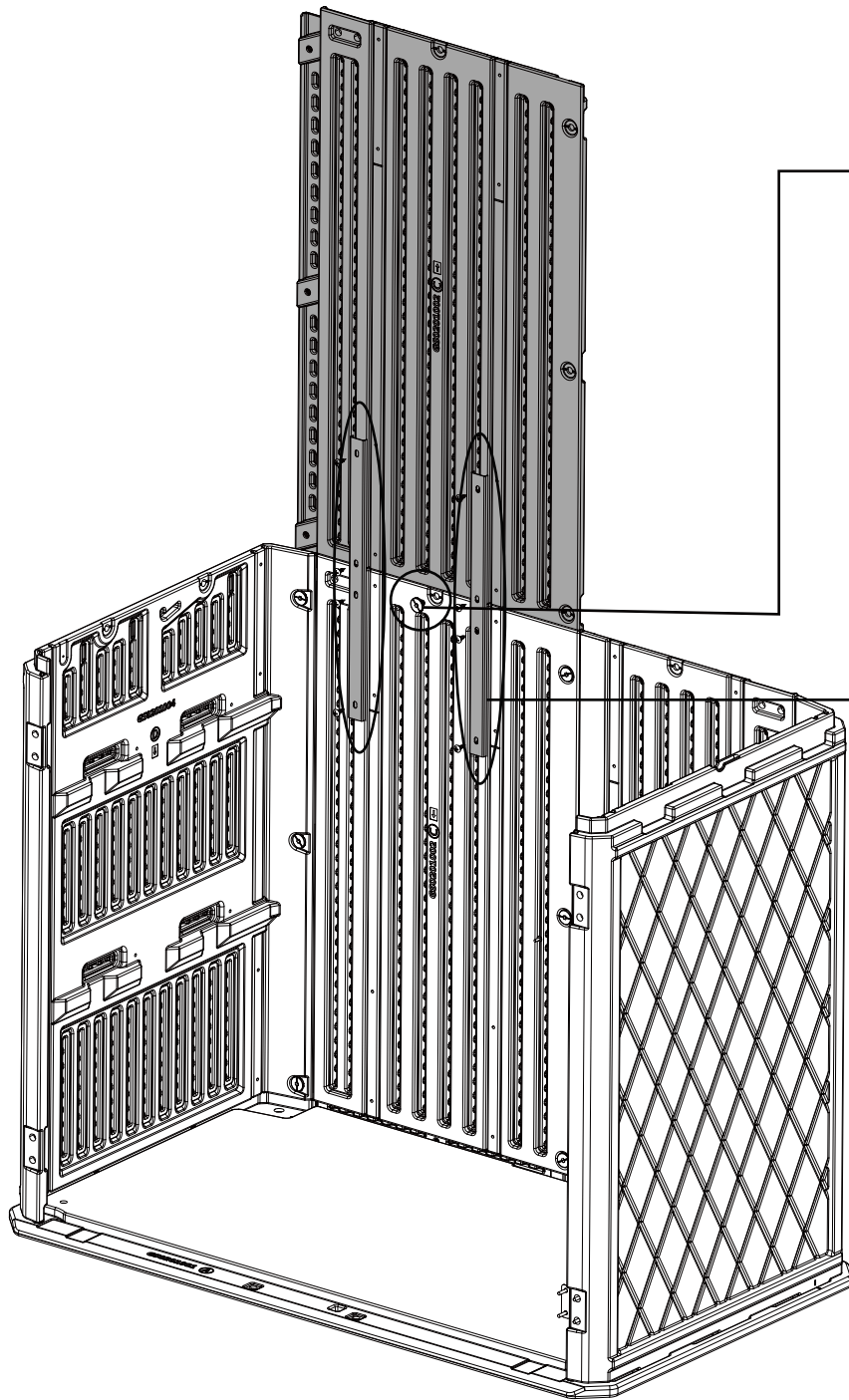
C1
2pcs



S4
M5.5x19x8pcs

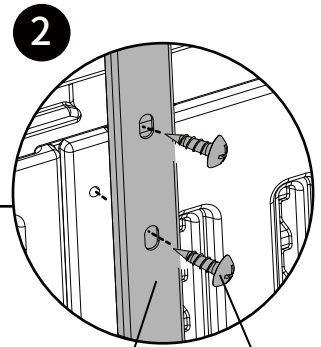


S1
M9.5x18.5x1pc



1

S1



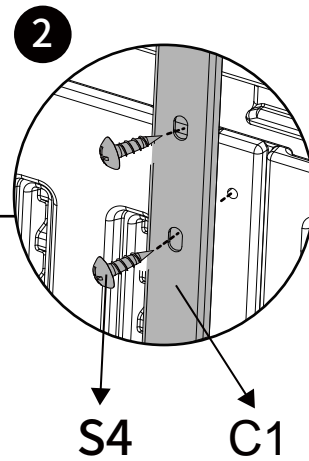
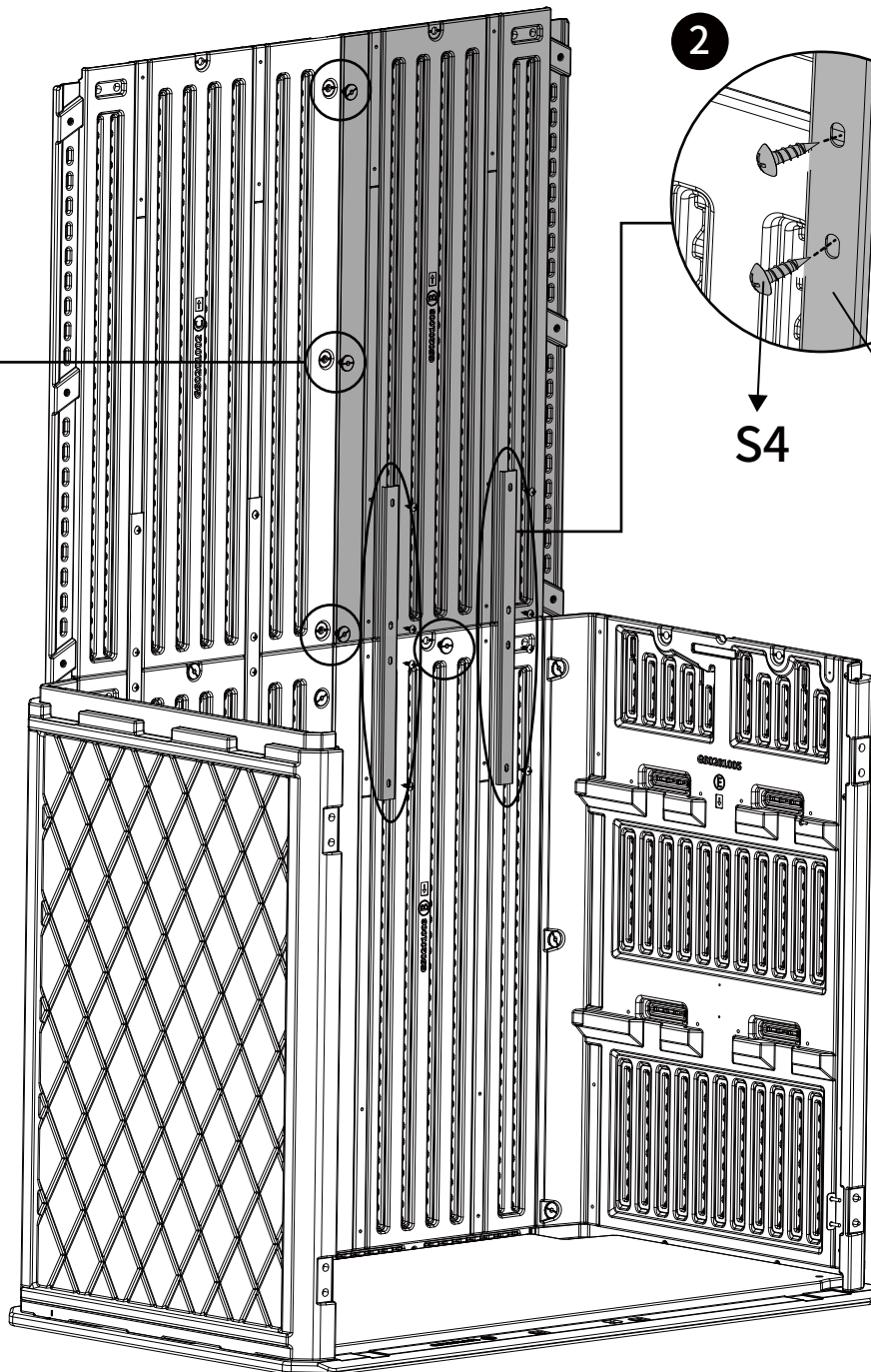
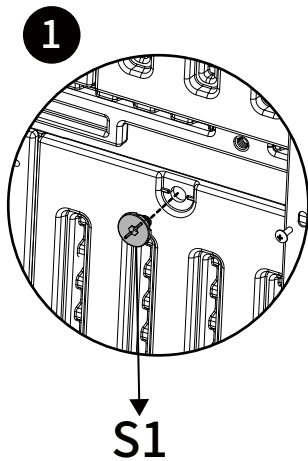
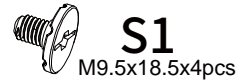
2

C1

S4

7

Right back panel
(top) to install



8

Left side panel
(top) to install



D



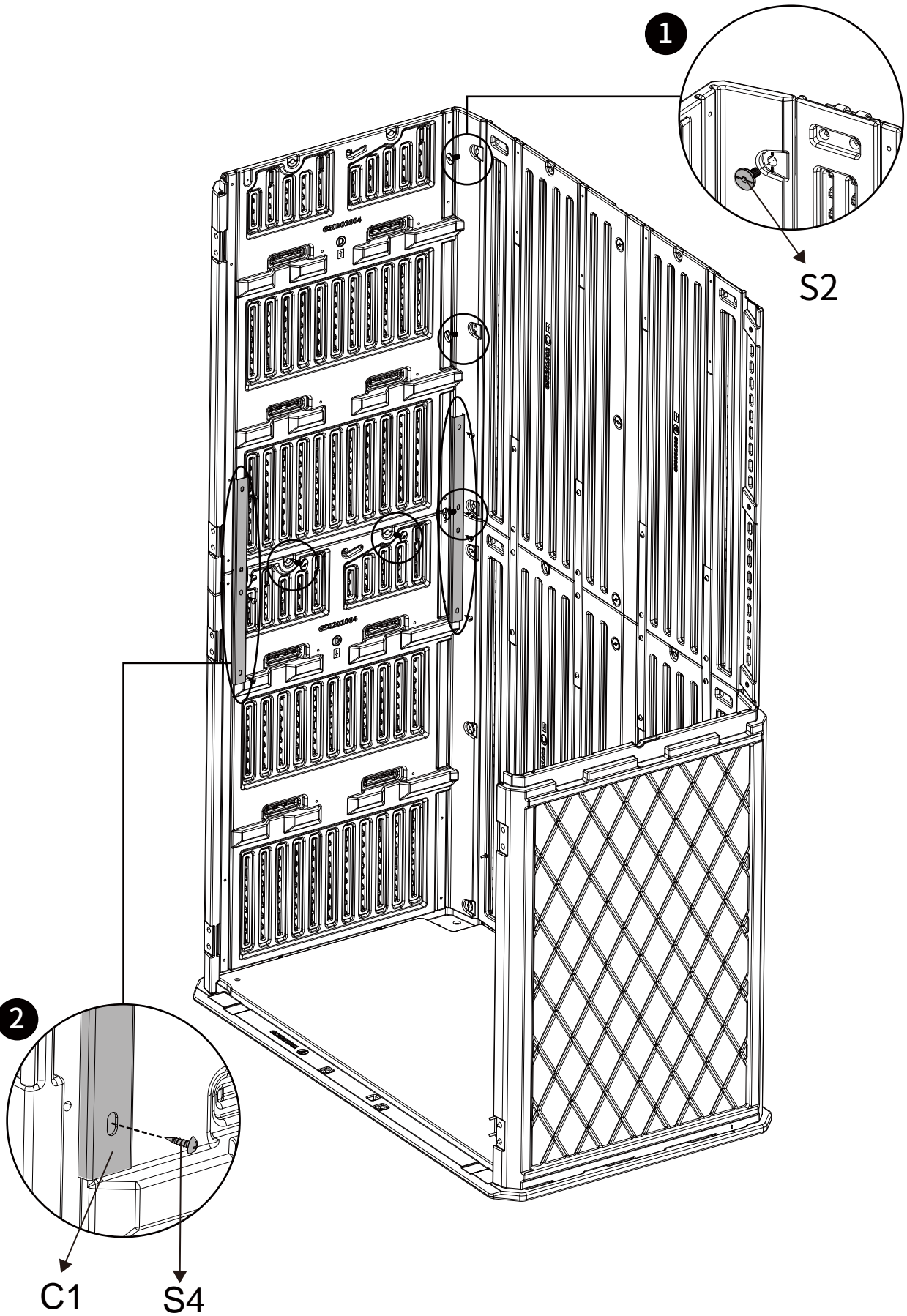
C1
2pcs



S4
M5.5x19x8pcs

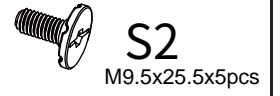
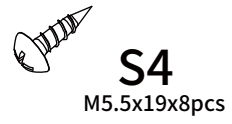


S2
M9.5x25.5x5pcs

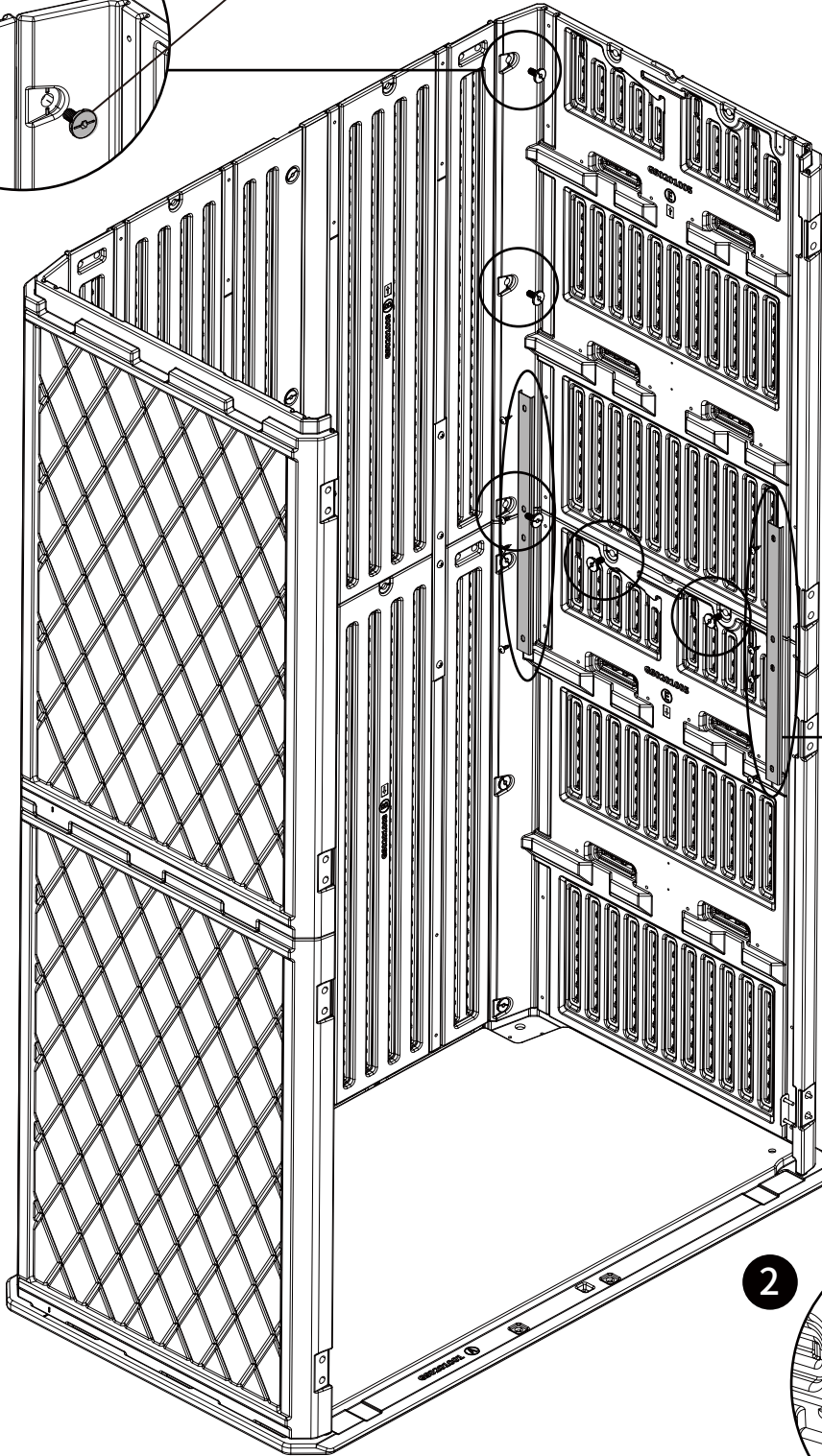
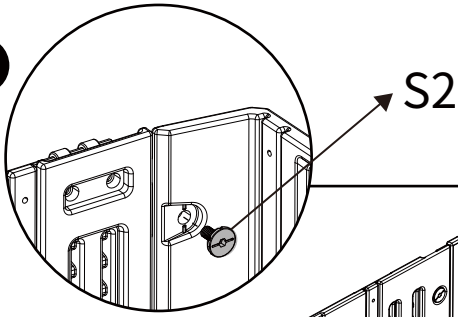


9

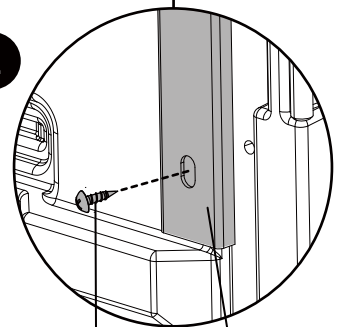
Right side panel
(top) to install



1

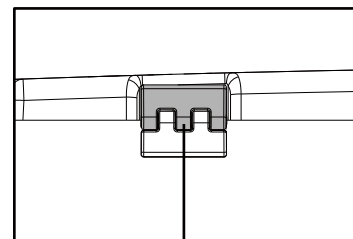
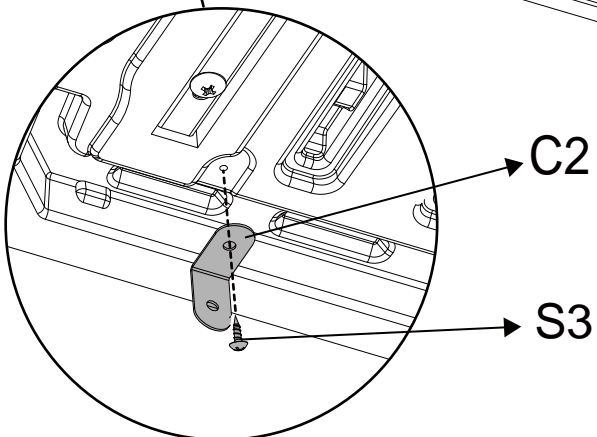
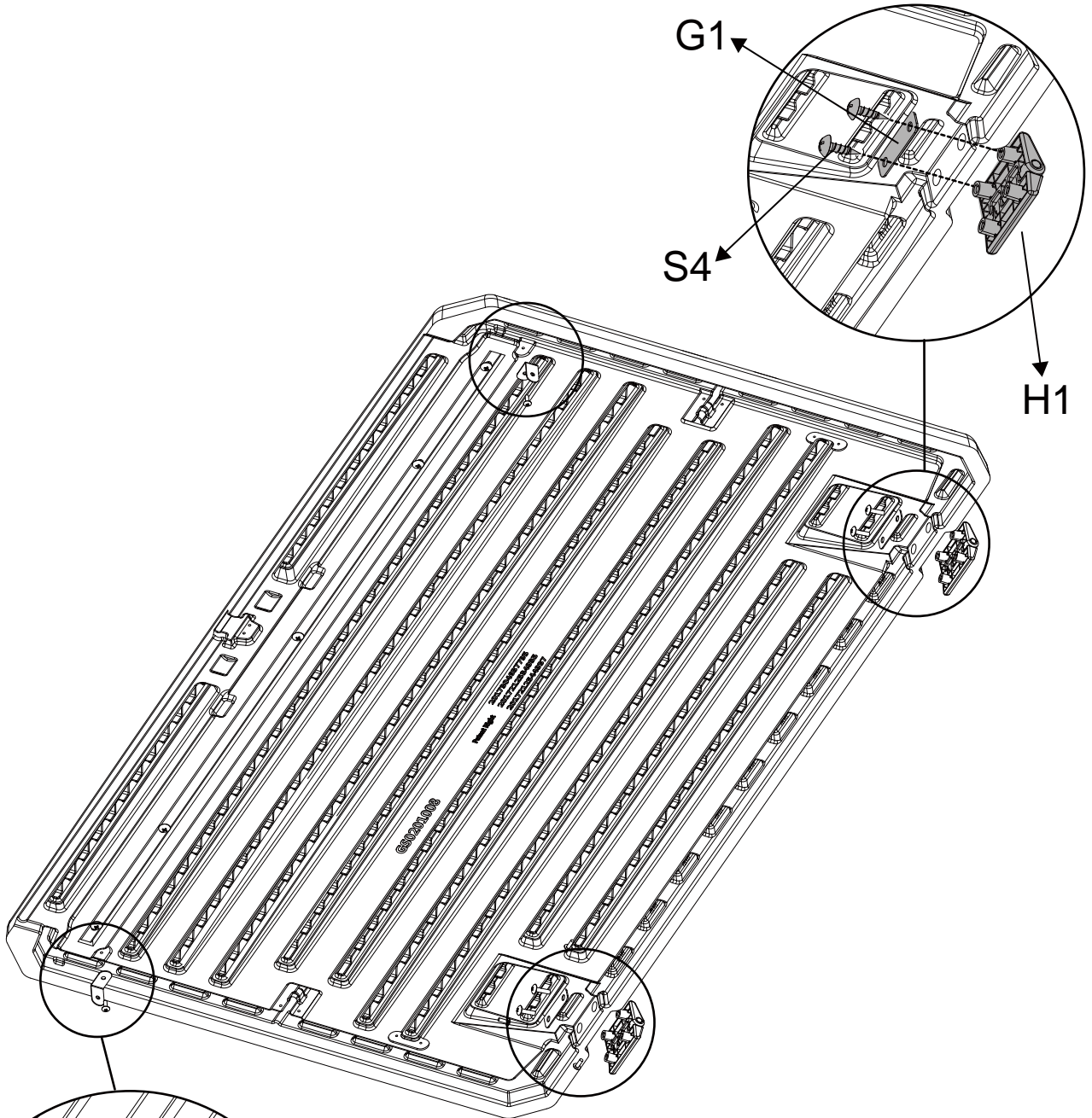
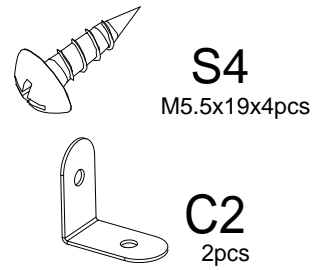
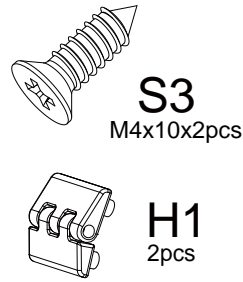


2



10

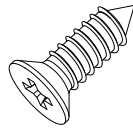
Roof accessories to install



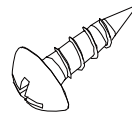
Install the thin end of the hinge to the door panel.

11

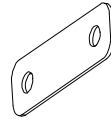
Roof
to install



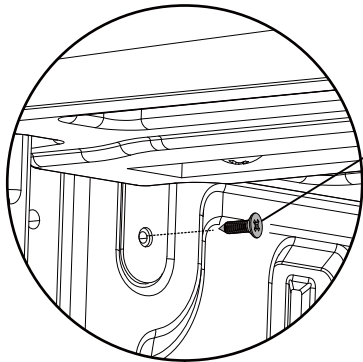
S3
M4x10x2pcs



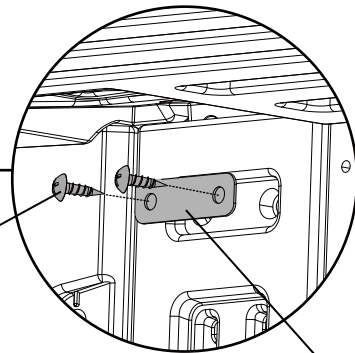
S4
M5.5x19x4pcs



G1
2pcs

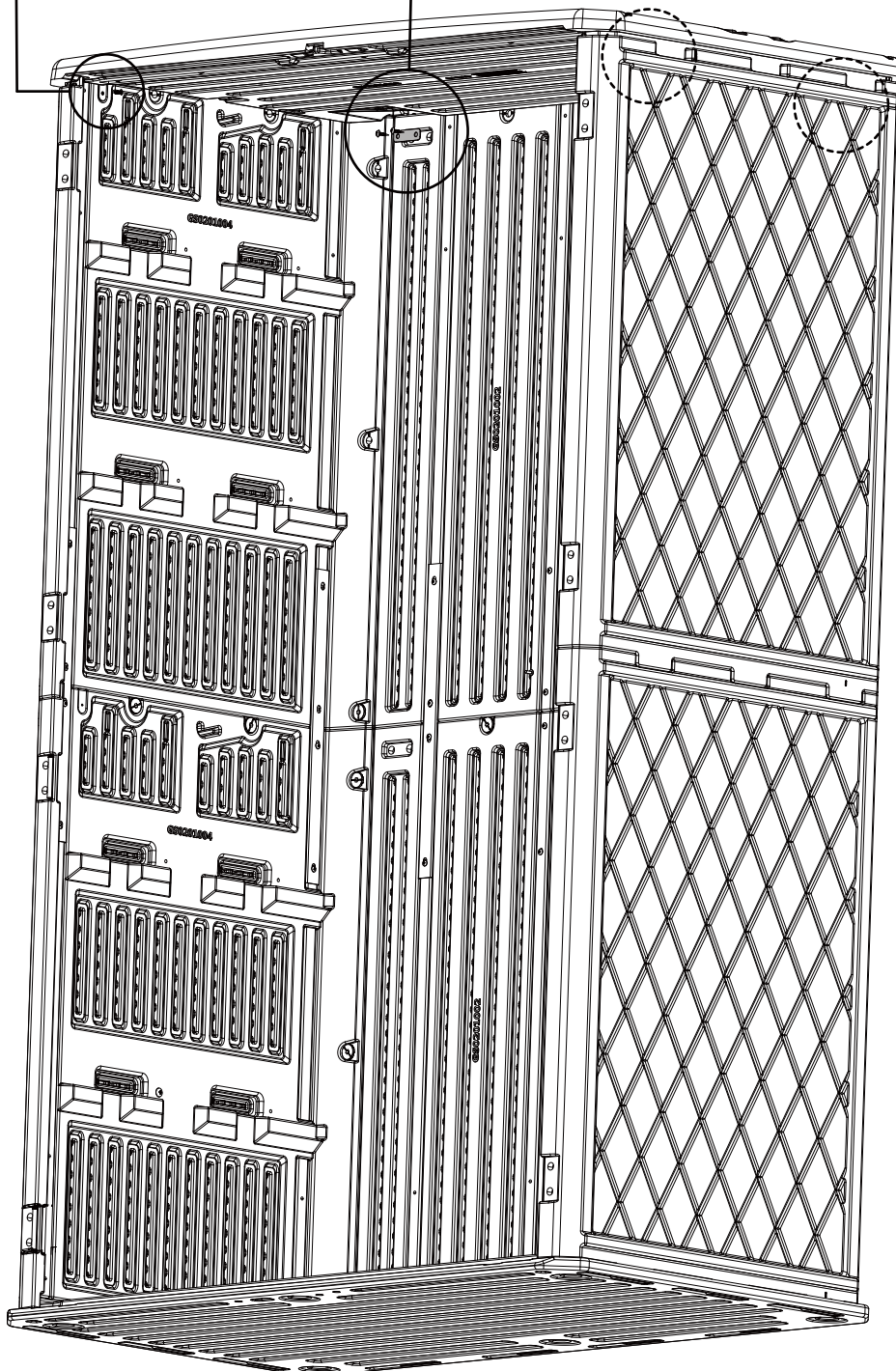


S3



S4

G1



12

Door accessories to install



G



H1
2pcs



G1
2pcs



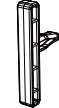
S4
M5.5x19x4pcs



L4
1pc



L2
1pc

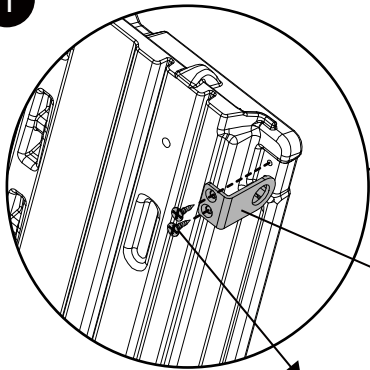


L3
1pc



S3
M4x10x6pcs

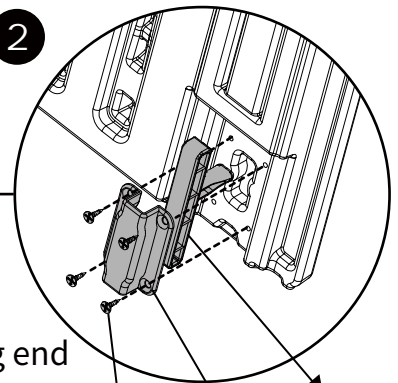
1



L4

S3

2

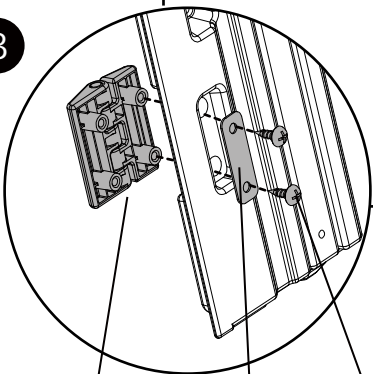


S3

L2

L3

3

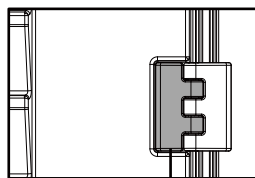


H1

G1

S4

Note: Place the long end facing downward



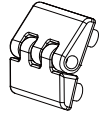
Install the thin end of the hinge to the door panel.

TIP: This process is the installation process of the right door panel hardware, and the installation process of the left door panel hardware is consistent with this process. Please refer to this step to continue installing the left door panel.

13 Door accessories to install



F



H1
2pcs



G1
2pcs



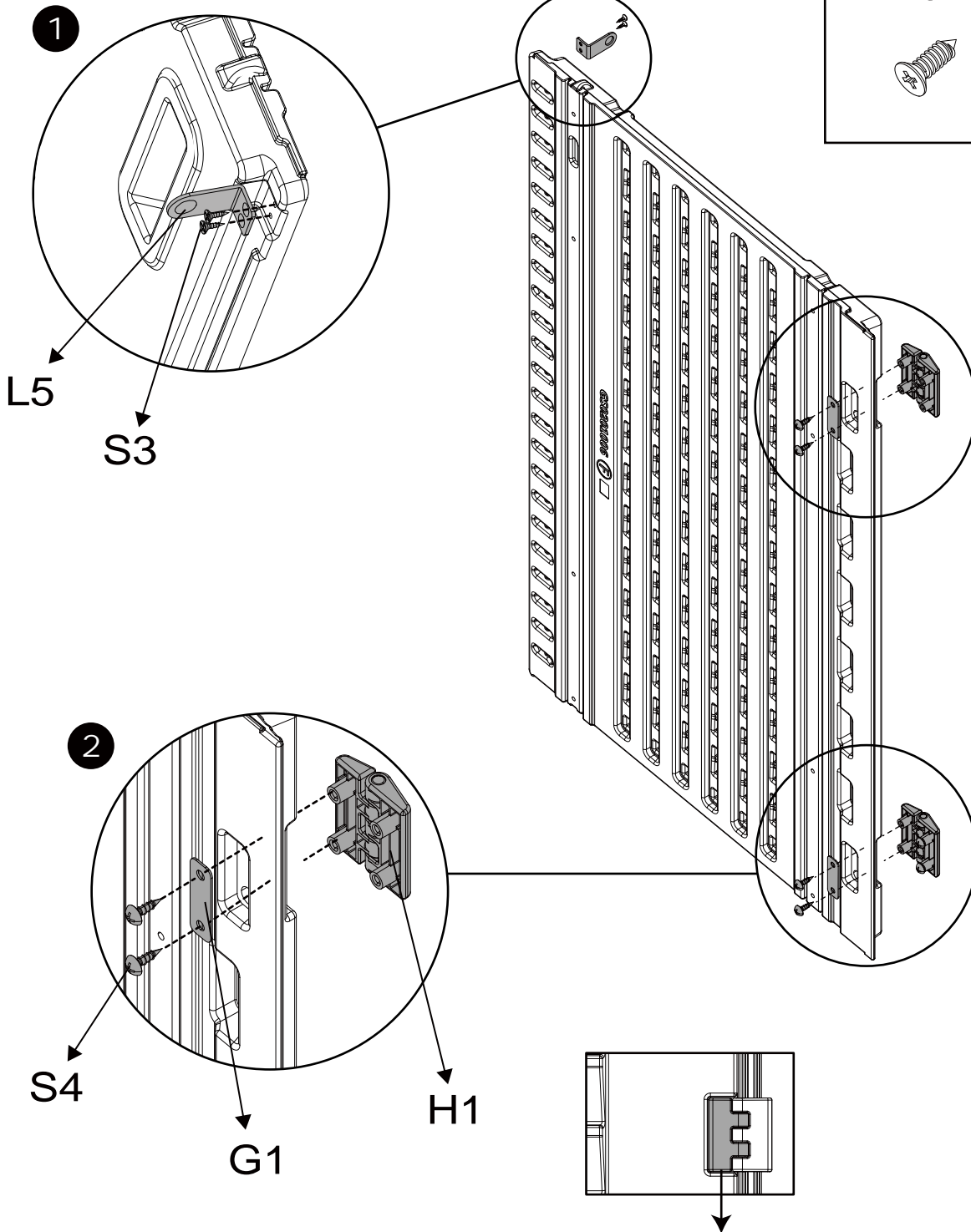
S4
M5.5x19x4pcs



L5
1pc



S3
M4x10x2pcs

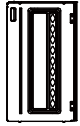


Install the thin end of the hinge to the door panel.

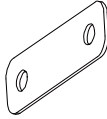
TIP: This is the installation process of hardware fittings of the left lower door panel, which is similar to the installation process of hardware fittings of the left upper door panel, just need to cancel step 1.

14

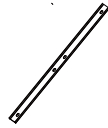
Right Door to install



G



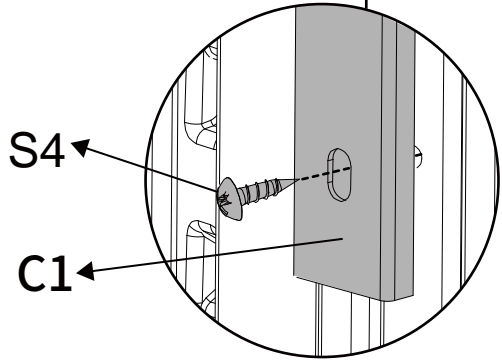
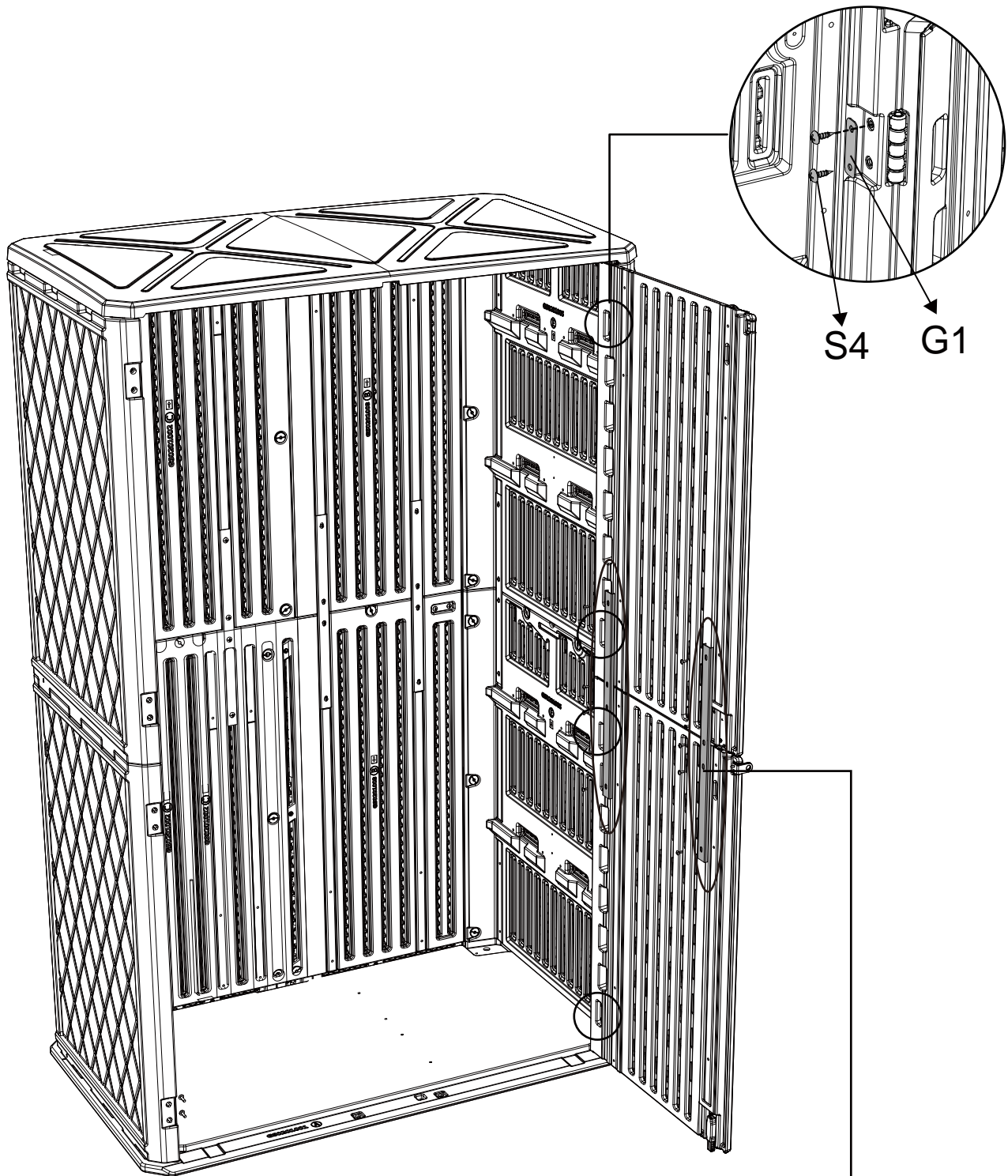
G1
4pcs



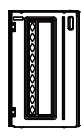
C1
2pcs



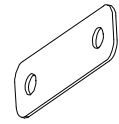
S4
M5.5x19x16pcs



15 Left Door to install



F



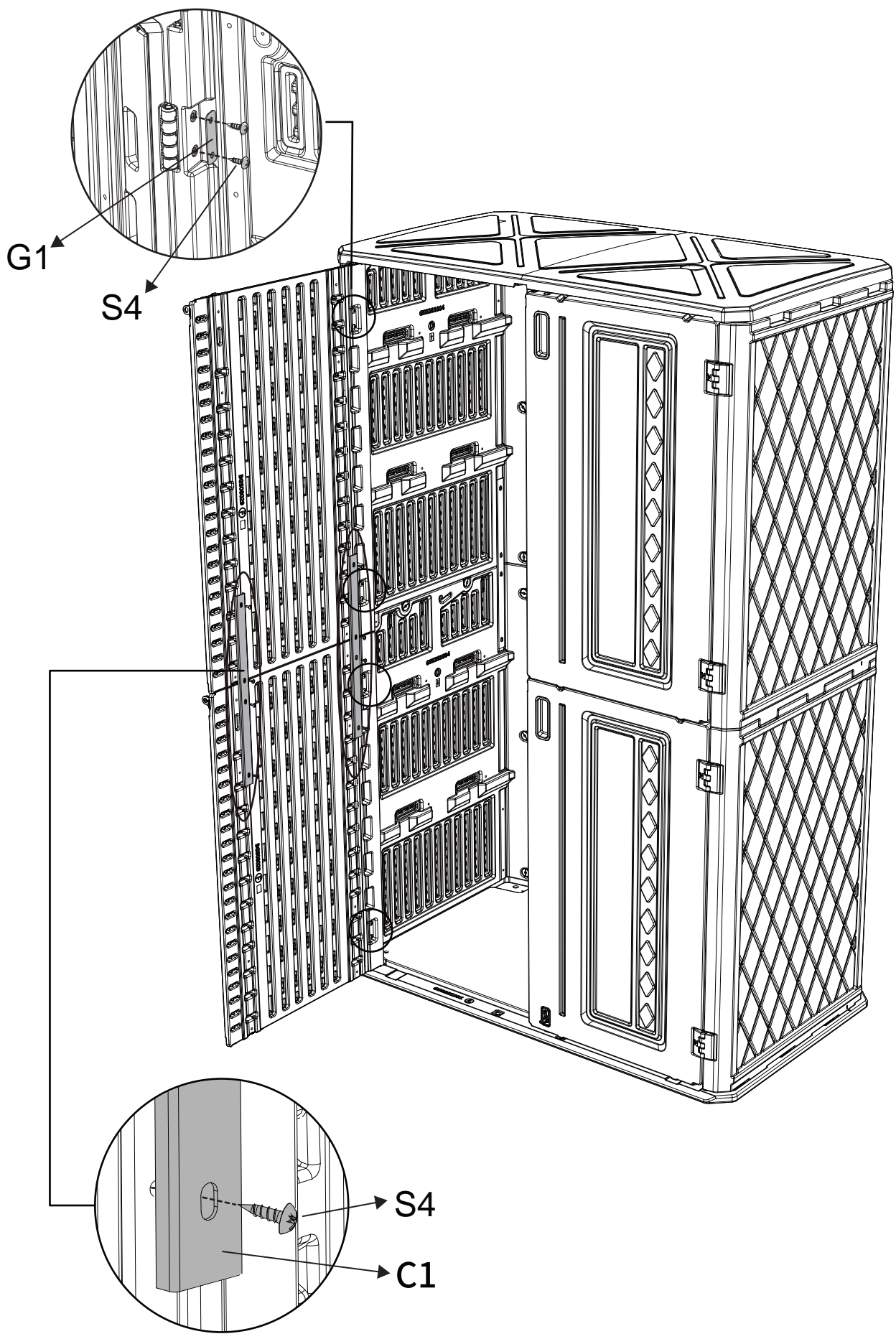
G1
4pcs



C1
2pcs



S4
M5.5x19x16pcs



🎉 Congratulations! you did it!! Awesome!!!