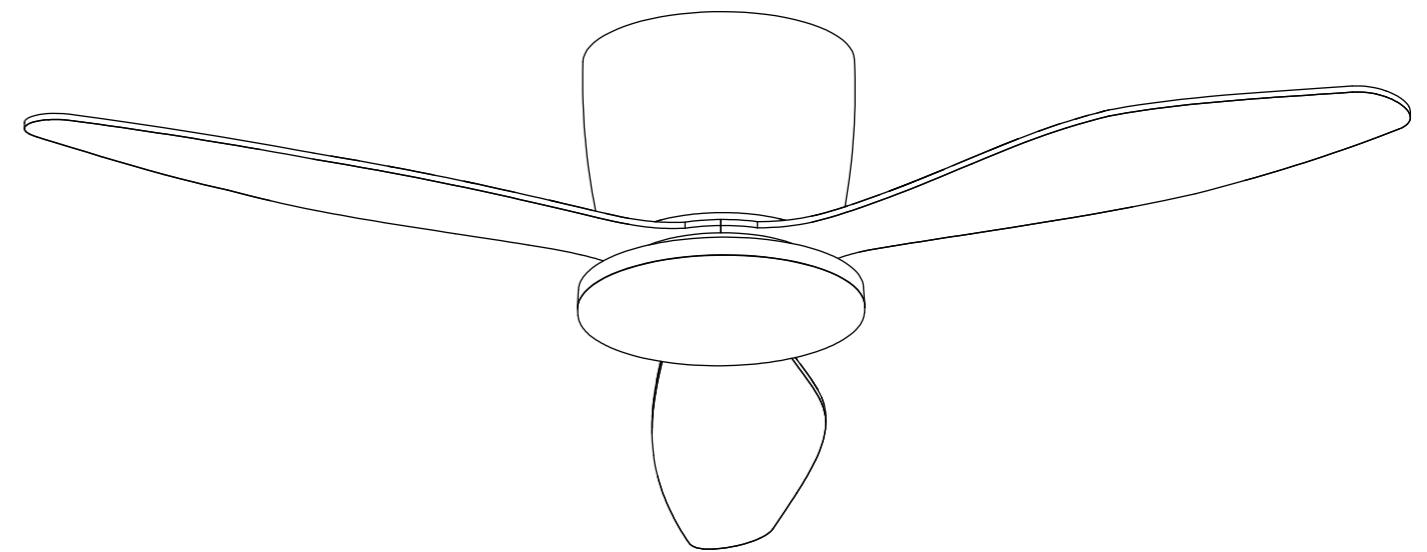


INSTALLATION MANUAL

CEILING FAN WITH LIGHTS

Model No.: LL-1666X-52-02



TOOLS REQUIRED



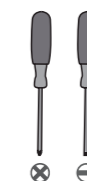
Ladder



Pliers



Wire Strippers

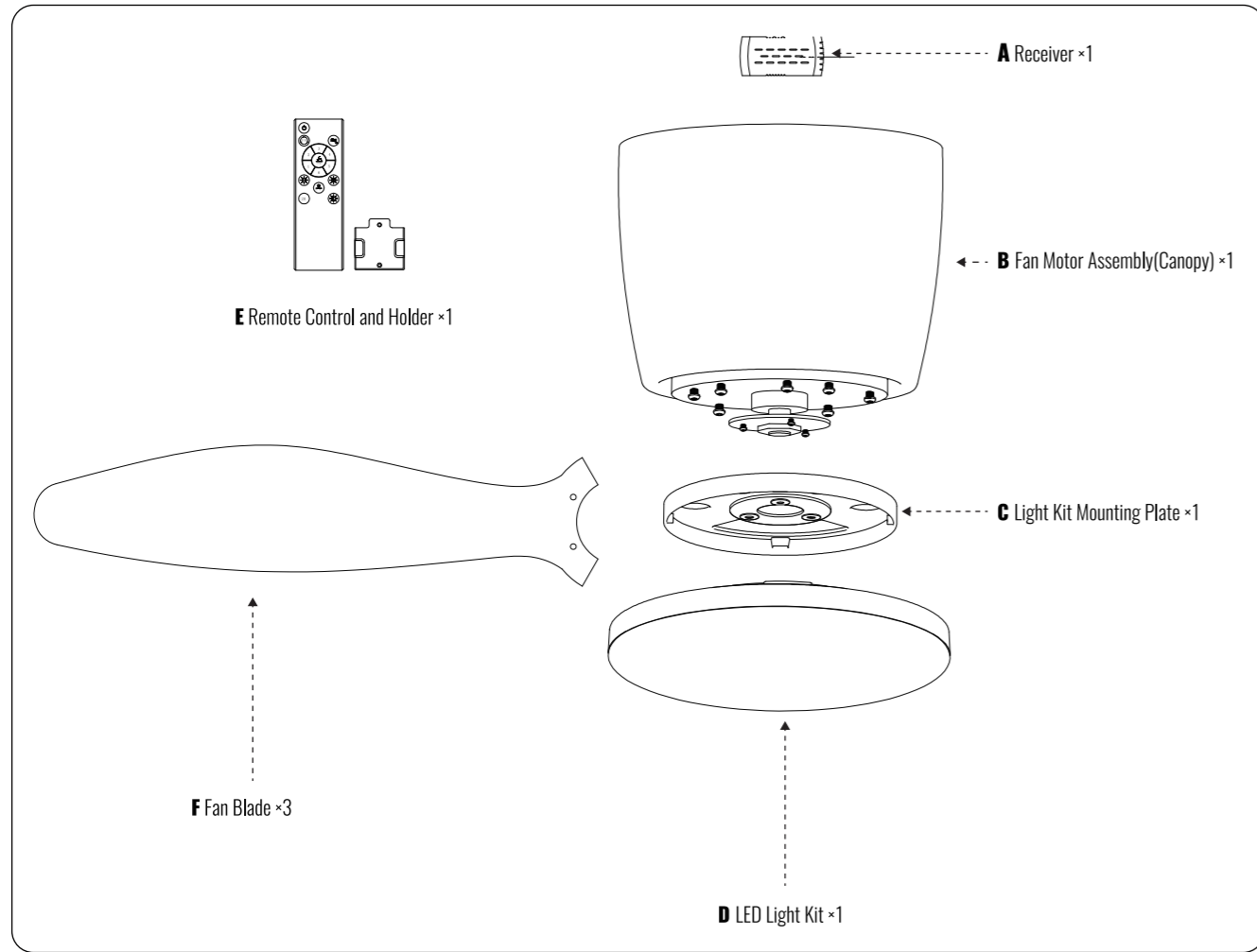


Screwdrivers

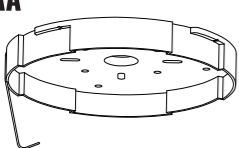
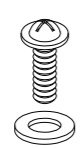
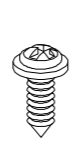
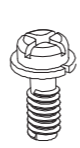

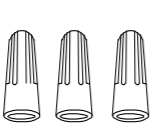



APP Control Applicable

PACKING LIST



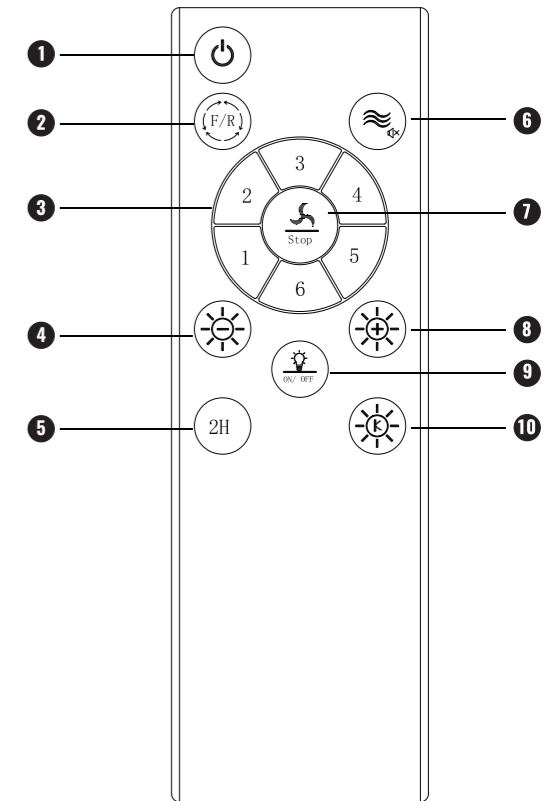
INSTALLATION KIT

AA 1x  Mounting Bracket	BB 2x  Outlet Box Screw With Washer	CC 1x  Canopy Screw	DD 6x  Fan Blade Screw
EE 3x  Mounting Screw	FF 3x  Wire Nut	GG 1x  Gloves	

- Note:**
- Some extra hardware may be included. The quantity listed above is the number required for installation.
 - Parts "A/AA/CC" have already been installed with Canopy (B). Parts "C" have already been installed with LED Light Kit (D). Parts "DD/EE" have already been installed with Fan Motor Assembly (B). They need to be disassembled before installation.

REMOTE CONTROL INSTRUCTIONS

- 1: Turn off power.
- 2: Fan moves forwards or reversely.
- 3: Turn on the fan on 1/2/3/4/5/6 speed.
- 4: Reduce the brightness of the light.
- 5: 2H for timing the fan.
- 6: Natural wind, fan speed will change automatically with this function, Press and hold button to turn on/off the mute mode .
- 7: Turn off the fan.
- 8: Enhance the brightness of the light
- 9: Turn on/off the light.
- 10: Adjust the light color temperature.



REMOTE SIGNAL PAIRING:

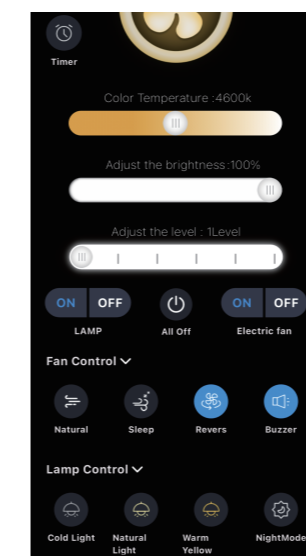
If the remote control loses signal of the fan, press and hold the button ⑨ at the very beginning after it's turned on from wall switch. After the fan light flashes or beeps, it's done.

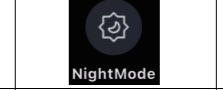
APP CONTROL INSTRUCTIONS



NOTE: Install the "Tiny Smart" app from Google Play, Apple App Store, or other app stores by scanning the QR code or searching for the app name. Ensure that your phone is connected to the internet and Bluetooth enabled.

Pairing: Add device → Follow the APP operation to turn off the wall switch, and turn it on after 5 seconds. The device will automatically connect to the Ceiling Fan.

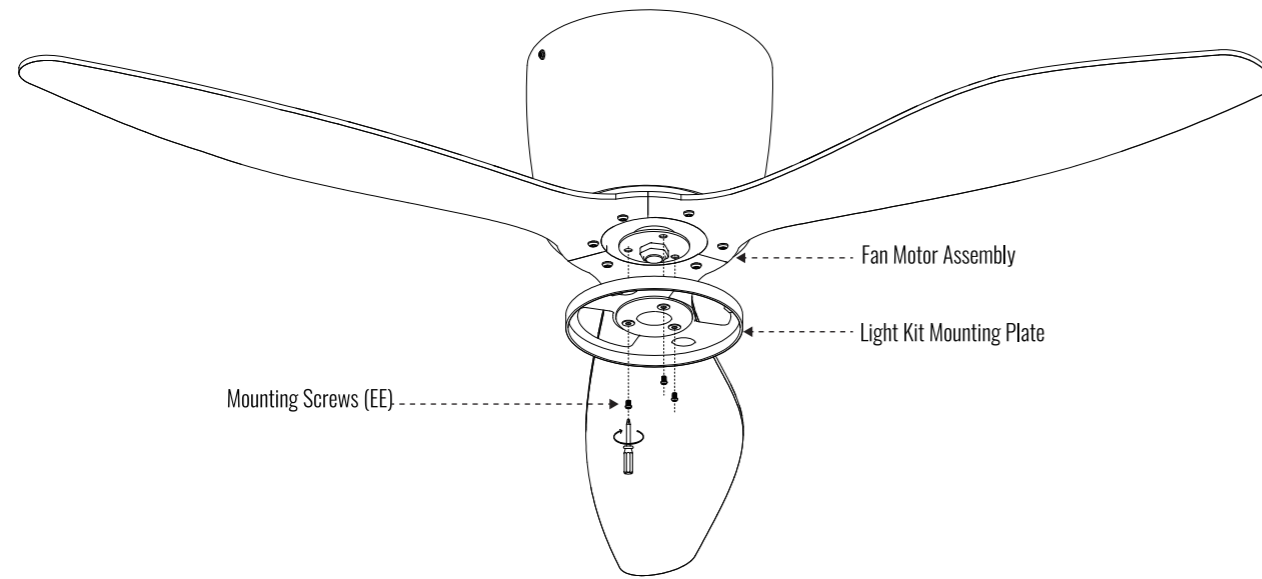


	Slide to adjust the Fan Speed.		Slide to adjust the Light Color
	Turn on/off the light.		Slide to adjust the Brightness of the Light.
	Tur on/off the fan.		Quickly change Light Color " White, Yellow, Natural "
	Turn off the fan and ight.		Switch to night light mode.
	1H-8H for timing the fan.		Sleeping wind (Not applicable on this fan).
	Fan forward & Fan reverse.		Turn on/off the mute mode.
	Natural Wind: Simulate natural wind and automaticall adjust the wind speed.		

7. Install the Light Kit Mounting Plate

Step 1. Take off Mounting Screws from the Fan Motor Assembly.

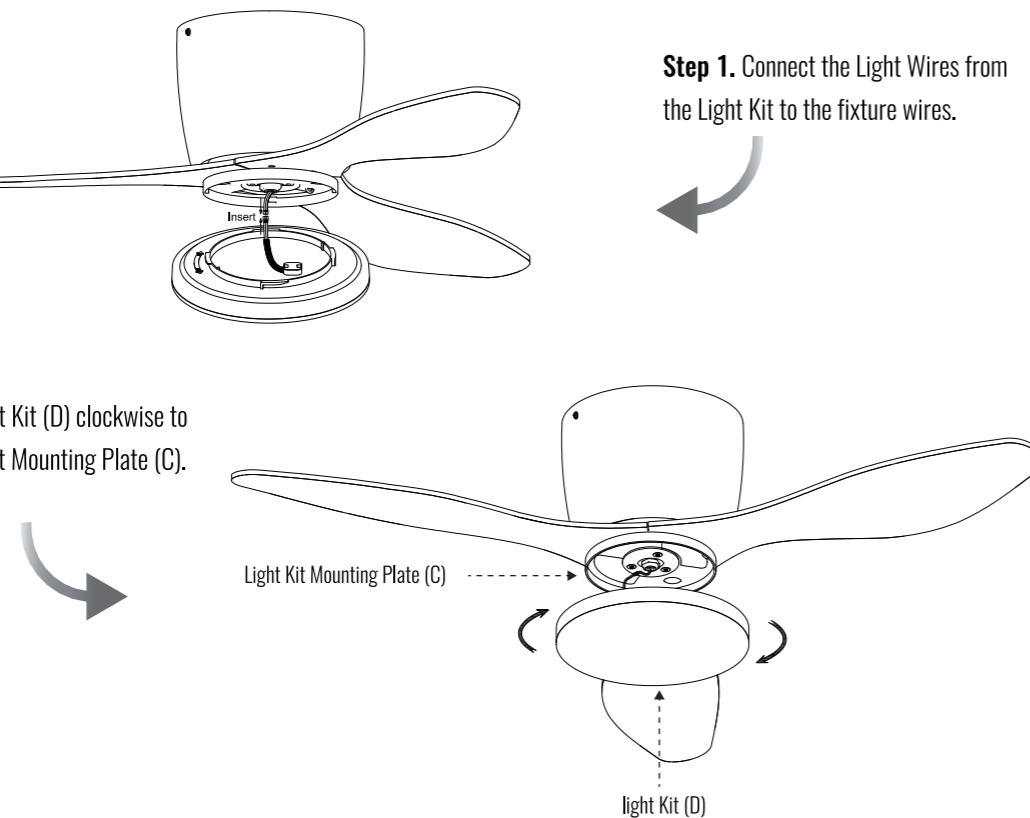
Step 2. Secure the Light Kit Mounting Plate onto the Fan Mounting Assembly with screws taken off or Mounting Screws (EE) provided.



8. Install the Light Kit

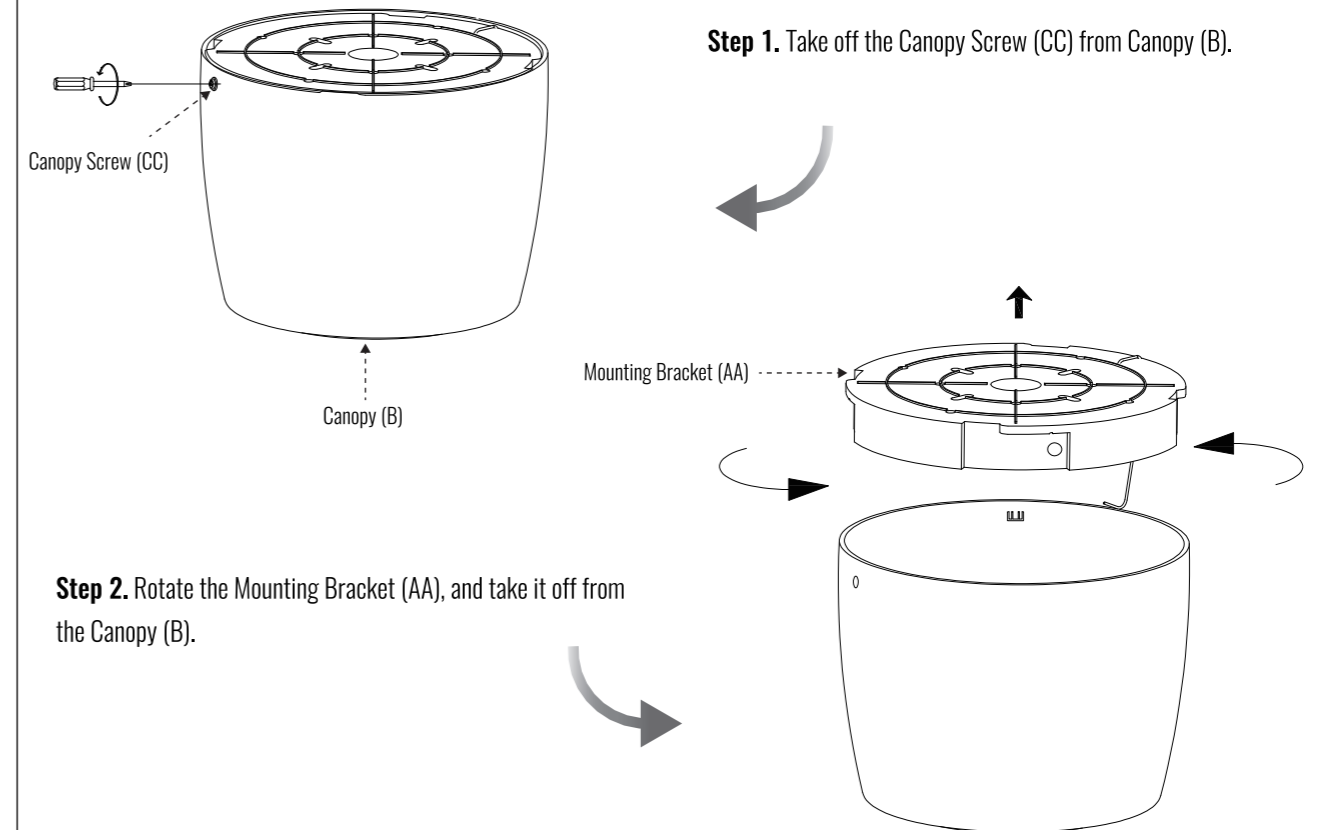
Step 1. Connect the Light Wires from the Light Kit to the fixture wires.

Step 2. Rotate the light Kit (D) clockwise to secure it to the Light Kit Mounting Plate (C).



INSTALLATION

1. Remove the Mounting Bracket

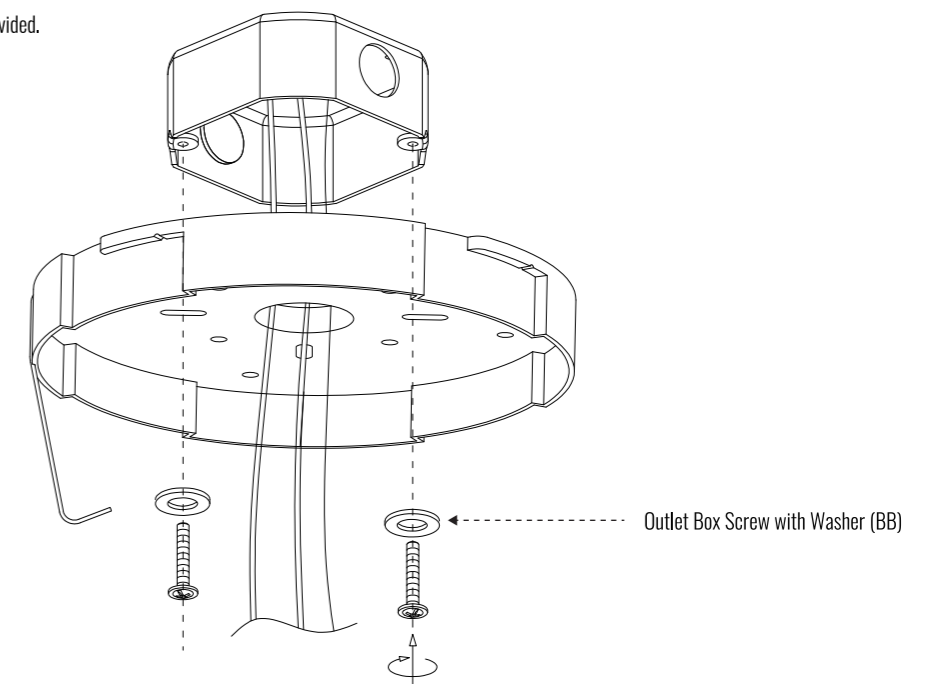


Step 2. Rotate the Mounting Bracket (AA), and take it off from the Canopy (B).

2. Install the Mounting Bracket

Step 1. Take off the screws from outlet box.

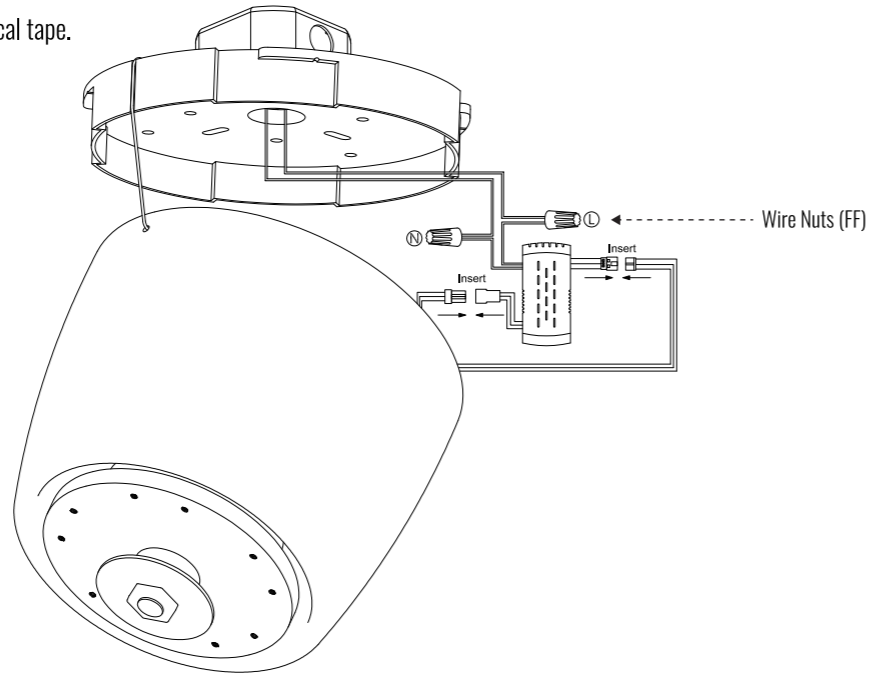
Step 2. Secure the Mounting Bracket onto the outlet box with screws taken off or Outlet Box Screw with Washer (BB) provided.



3. Wiring

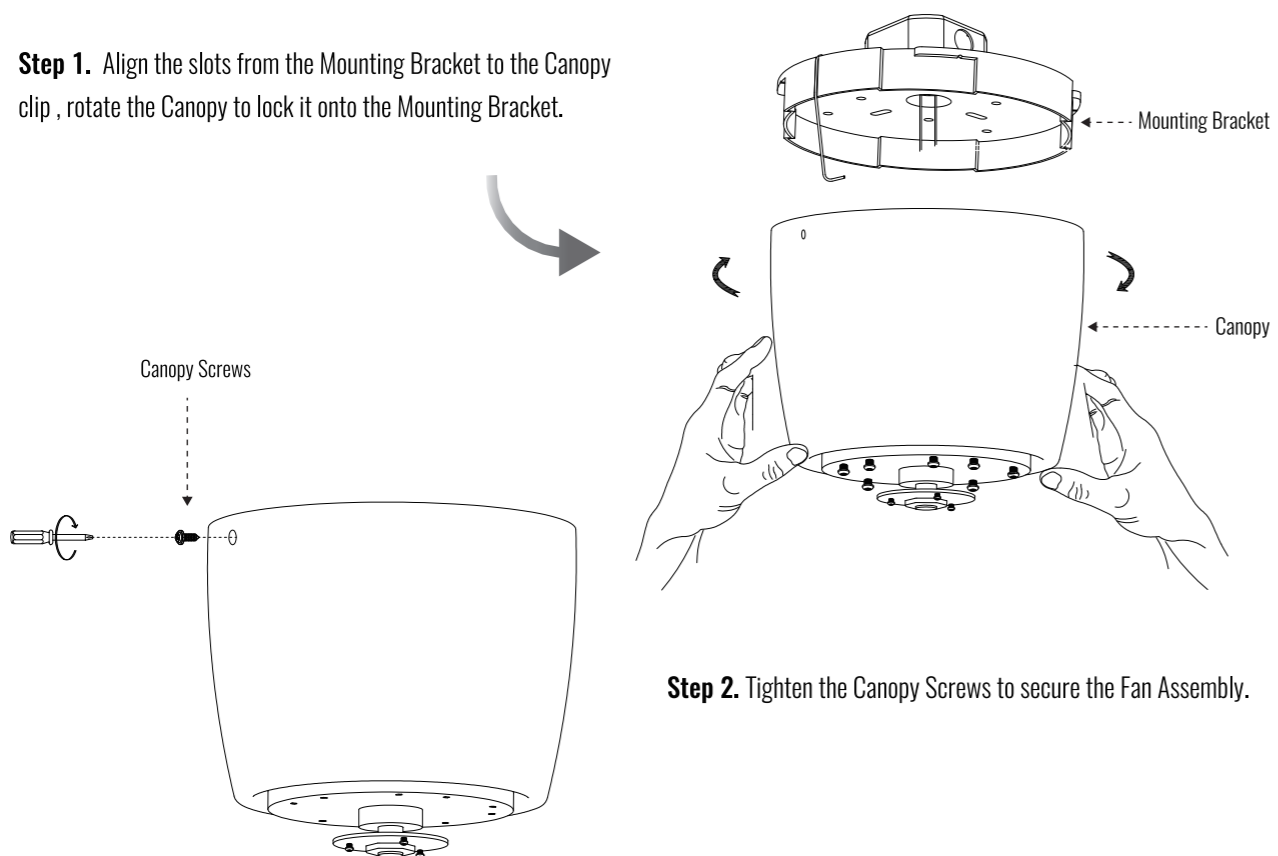
Step 1. Connect the wires from the fixture to the house supply wires with Wire Nuts (FF) , ground wire (green, green/yellow, or bare copper) to ground wire, neutral wire (white or blue) to neutral wire, and hot wire (black or brown) to the hot wire.

Step 2. Wrap the connection with electrical tape.



4. Hanging

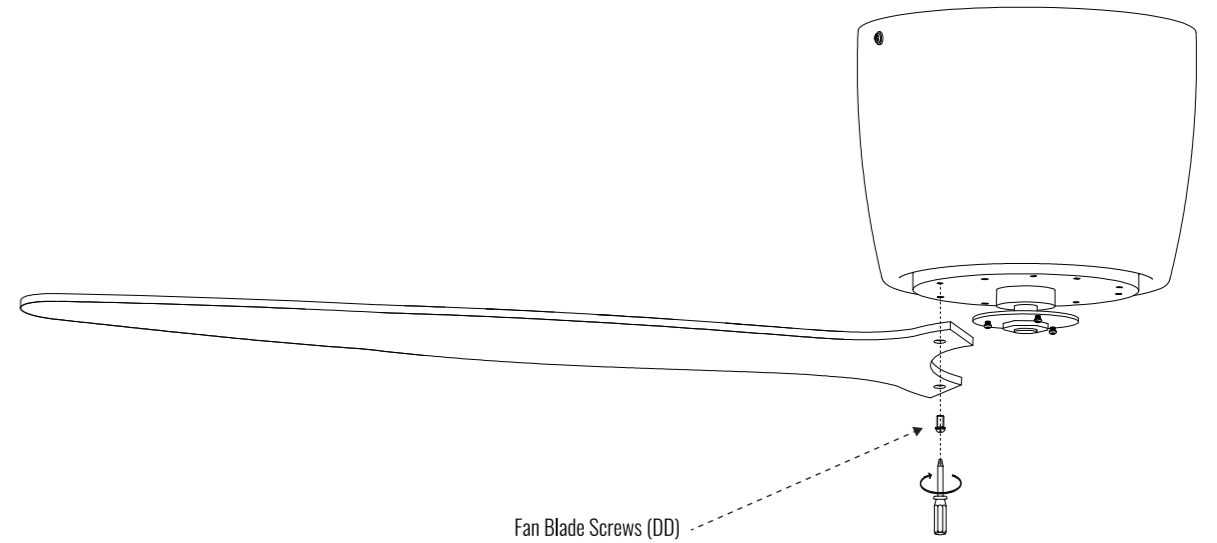
Step 1. Align the slots from the Mounting Bracket to the Canopy clip , rotate the Canopy to lock it onto the Mounting Bracket.



5. Installing the Fan Blade

Step 1. Take off Fan Blade Screws (DD) from the Fan Motor Assembly.

Step 2. Attach the Fan Blade onto the motor with the Fan Blade Screws.



6. Remove the Light Kit Mounting Plate

Step 1. Rotate the light kit mounting plate (C), and take it off from the LED light kit.

