

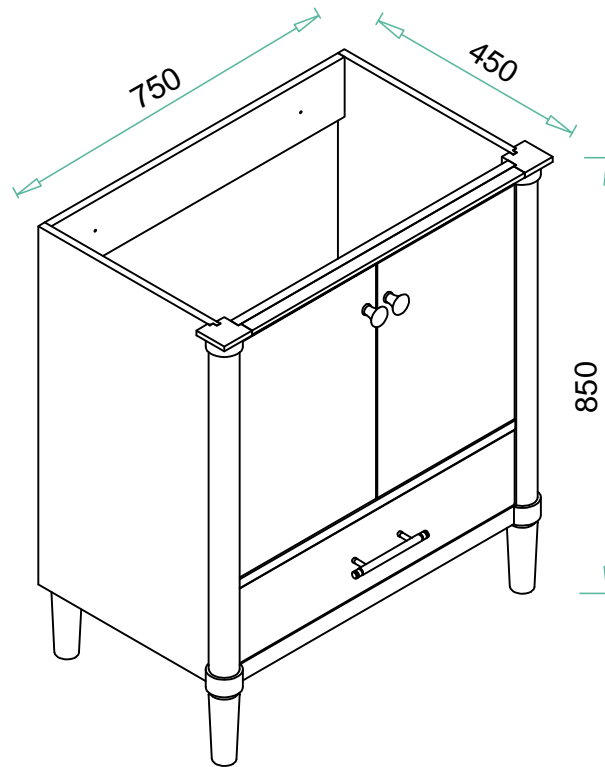


MODO30KDCM INSTALLATION INSTRUCTIONS

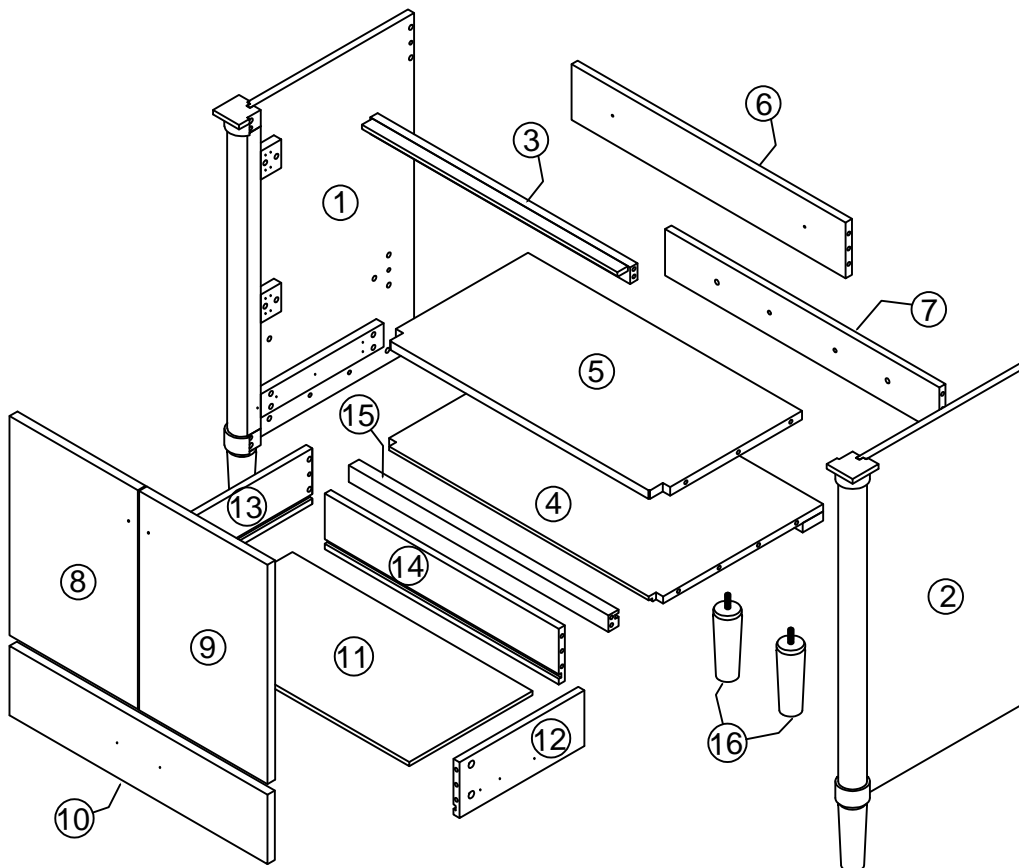
If any questions ,please feel free to call or text us at +16267081381,
or Email us at cabinetservice25@outlook.com.

DIMENSIONS

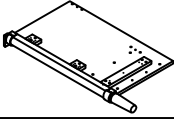
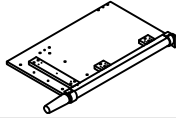

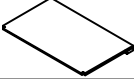
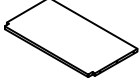
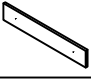



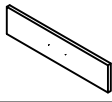
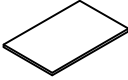
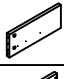
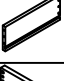
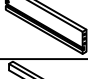
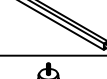

Unit: mm

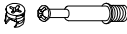









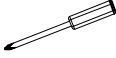



ASSEMBLY DIAGRAM

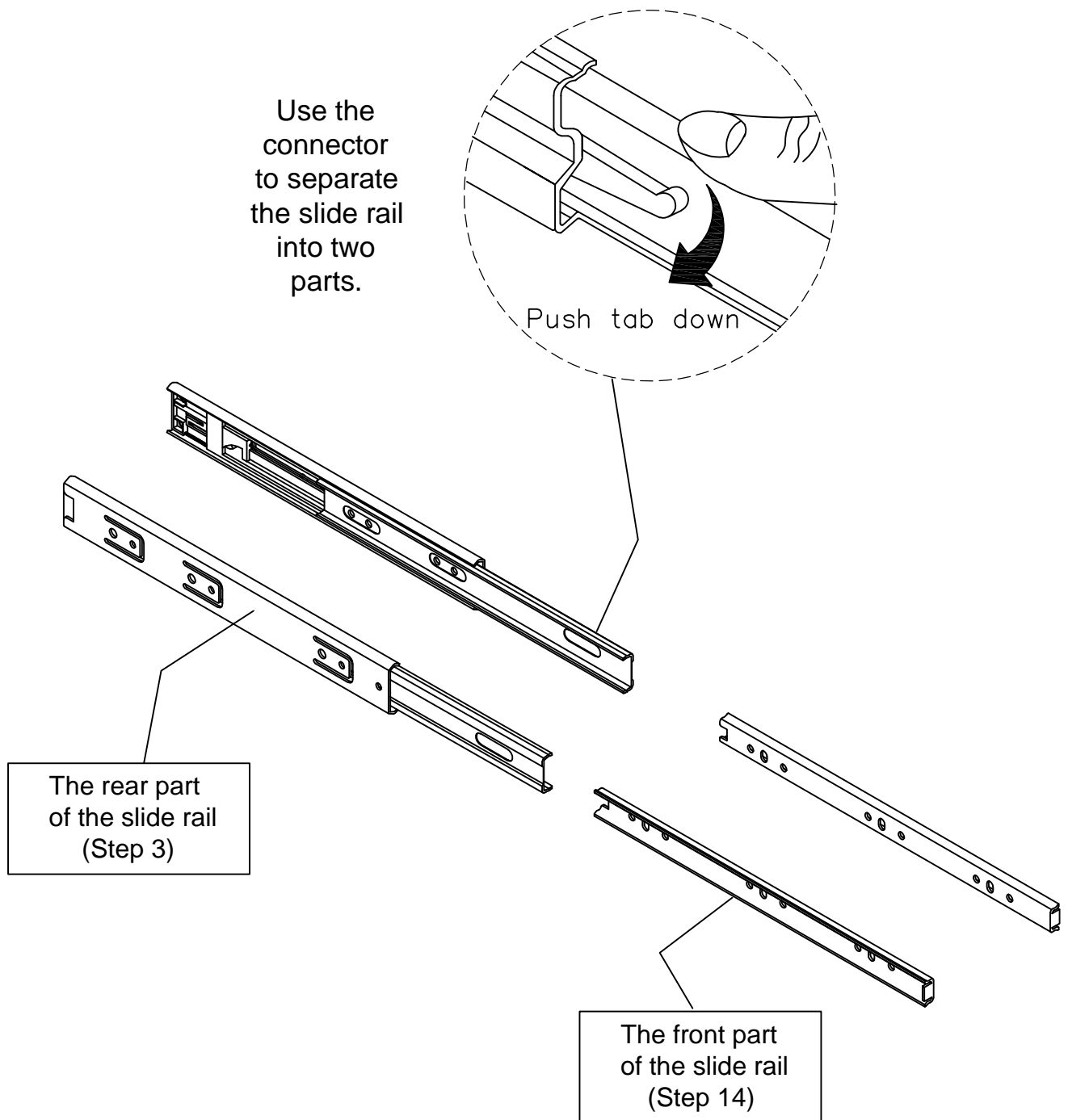


PARTS LIST

PARTS LIST		
No	Description	Qty
1		1
2		1
3		1
4		1
5		1
6		1
7		1
8		1
9		1
10		1
11		1
12		1
13		1
14		1
15		1
16		2

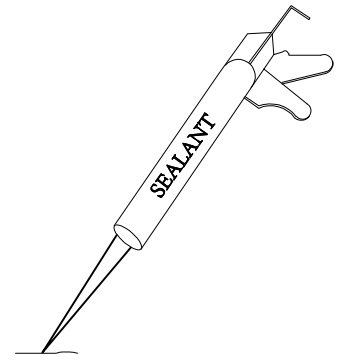
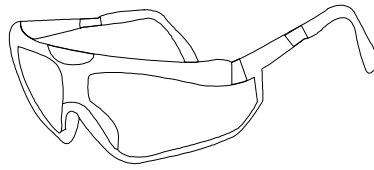
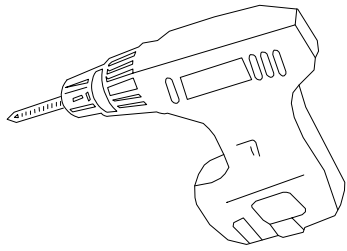
PARTS LIST		
No	Description	Qty
A	 Three-in-one Connector	30
B	 Handle	1
C	 Handle	2
D	 Handle Screws M4x22	4
E	 Hinges	4
F	 Screws M3.5x15	24
G	 The Slide	1
H	 Screws M3x12	16
I	 Wood Plug	22
J	 Screws For Fix On The Wall	2
K	 Screwdriver	1
L	 Double-sided tape	1

THE SLIDE



- Use the connector to separate the slide rail into two parts.
- The front part of the slide rail is attached to both side panels of the drawer using screws in the pre-drilled positioning holes (Step 3)
- While the rear part of the slide rail is attached to both side panels of the cabinet using screws in the pre-drilled positioning holes (Step 14)

YOU MAY NEED (NOT SUPPLIED)

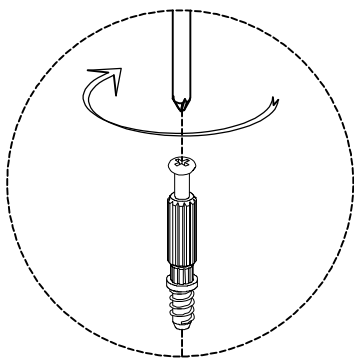
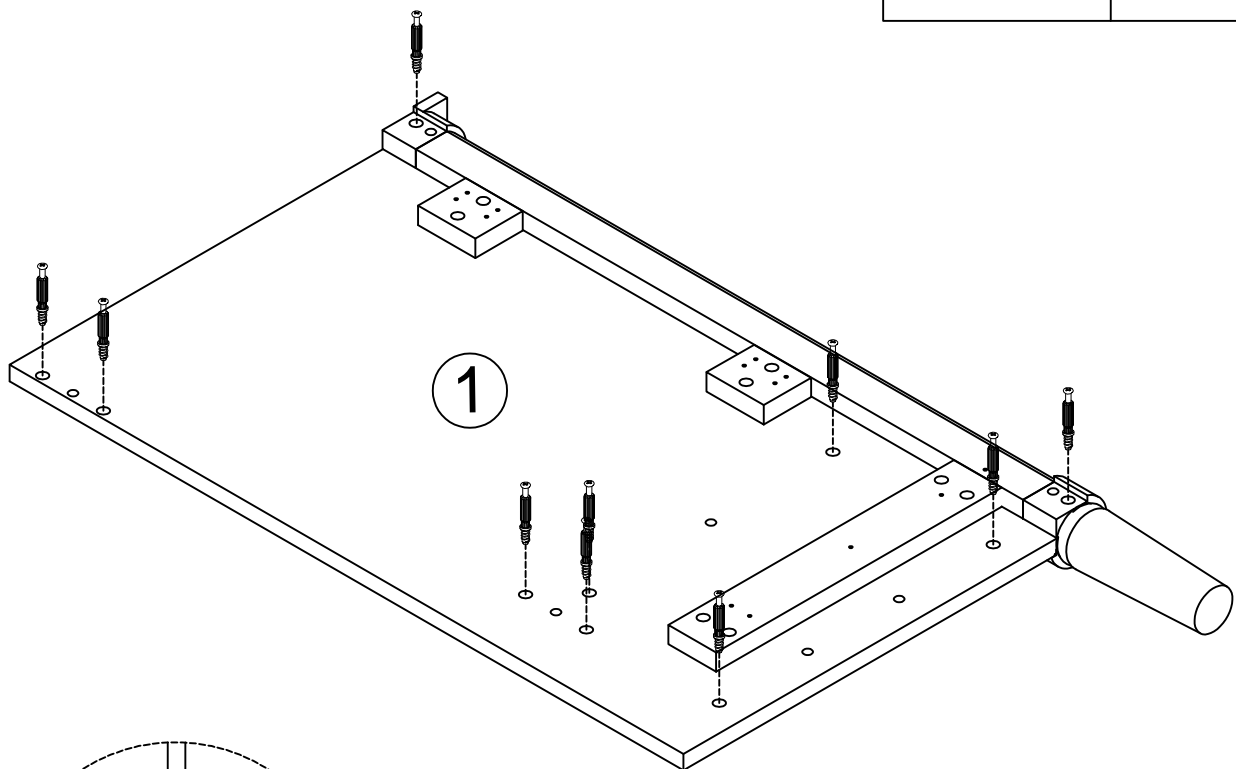
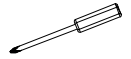


INSTALLATIONS

STEP 1

HARDWARE LIST

A  10 PCS

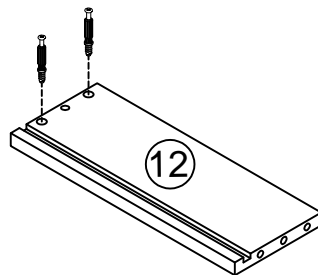
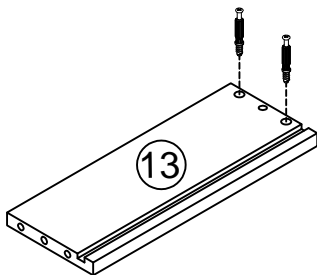
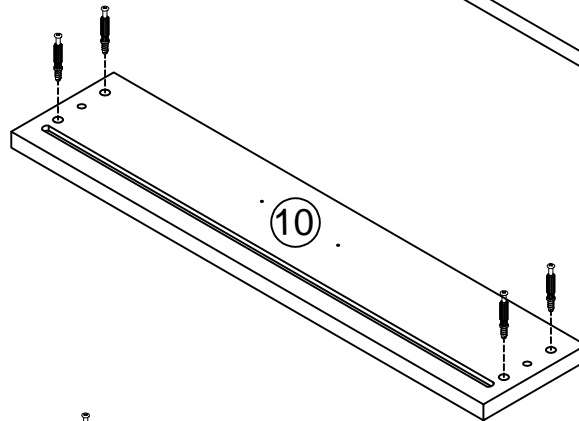
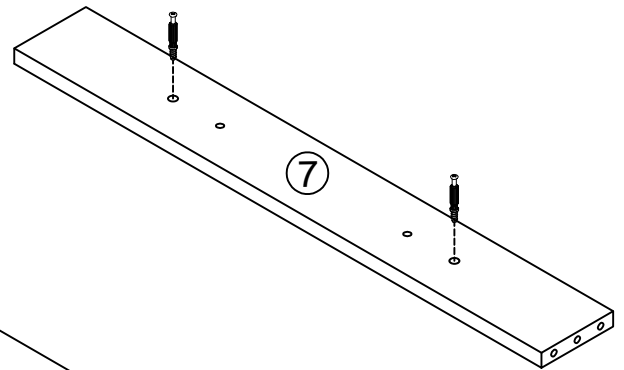
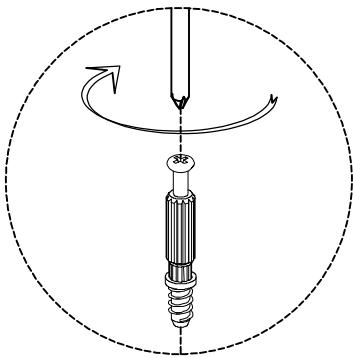
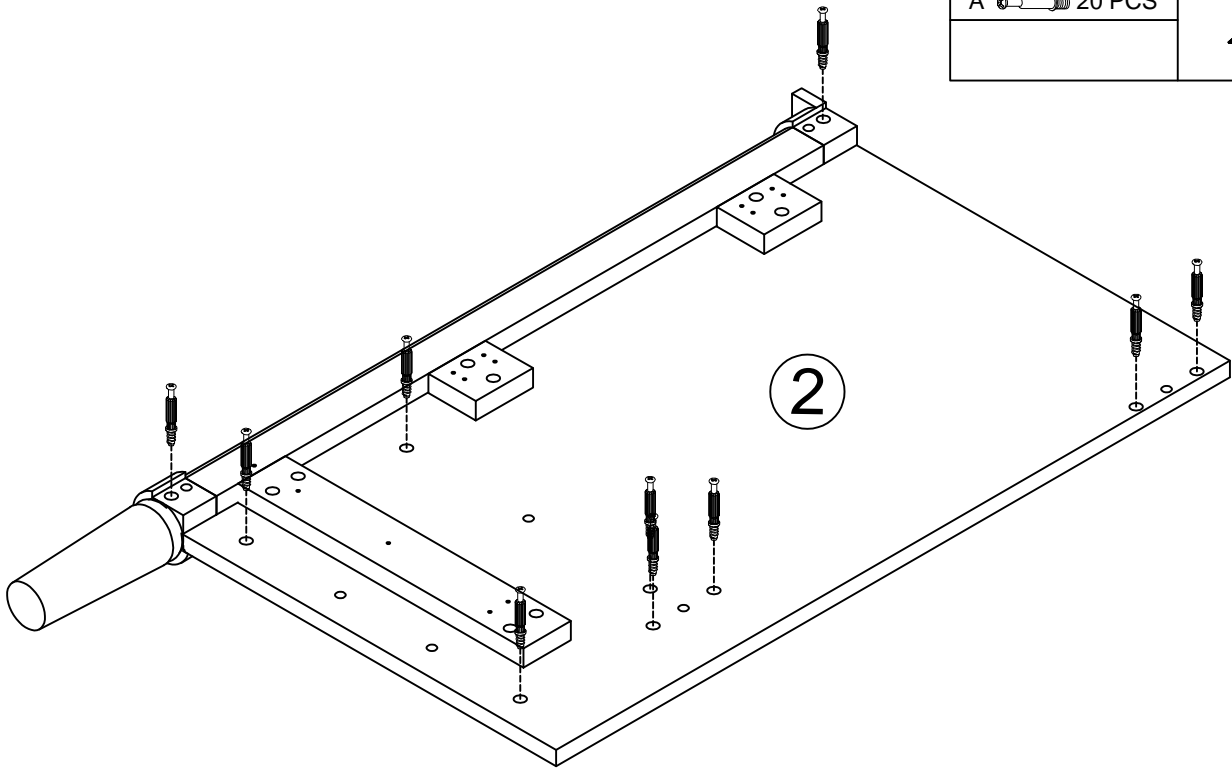
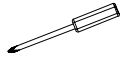


○ Insert the Cam Screw into the shelves above

STEP 2

HARDWARE LIST



A  20 PCS

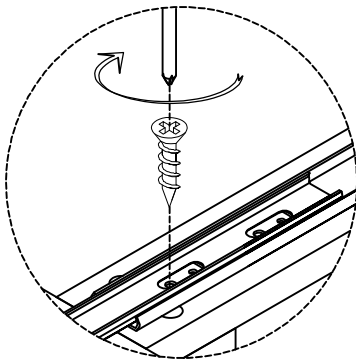
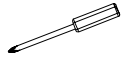


○ Insert the Cam Screw into the shelves above

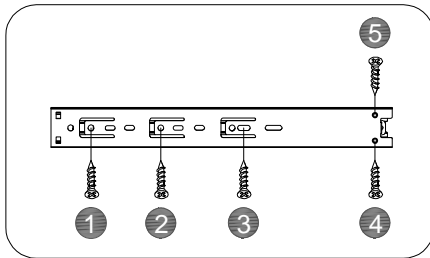
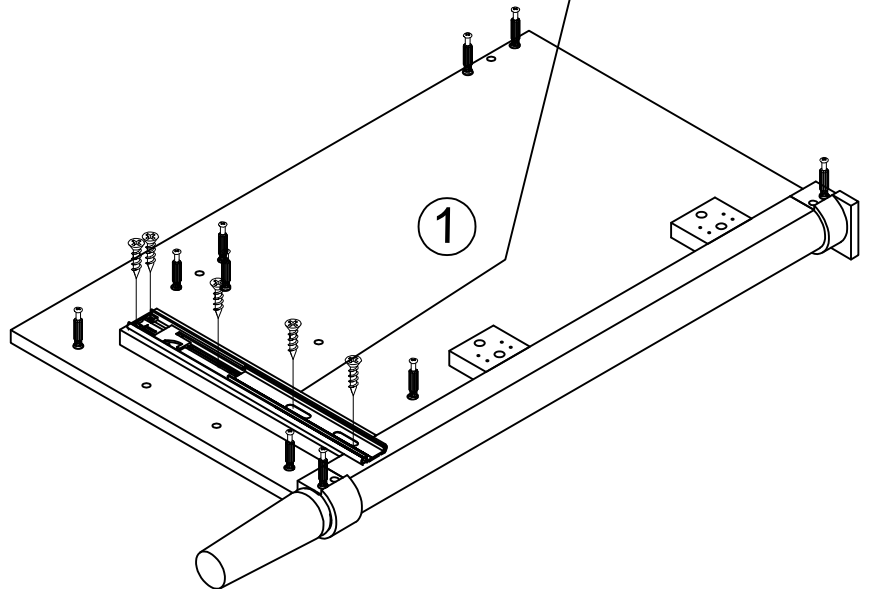
STEP 3

HARDWARE LIST

G		1 SET
H		10 PCS

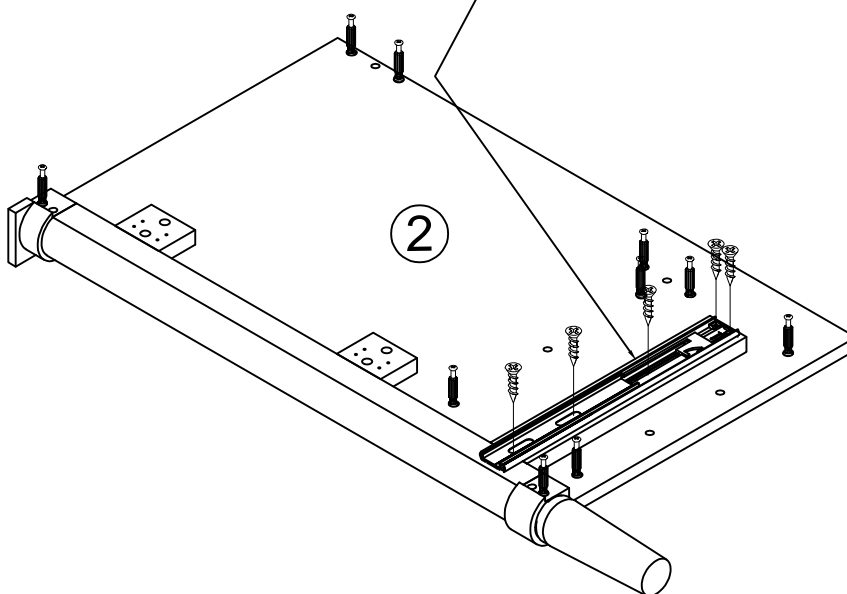


The rear part
of the slide rail



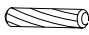
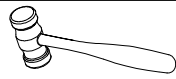
The rear part
of the slide rail

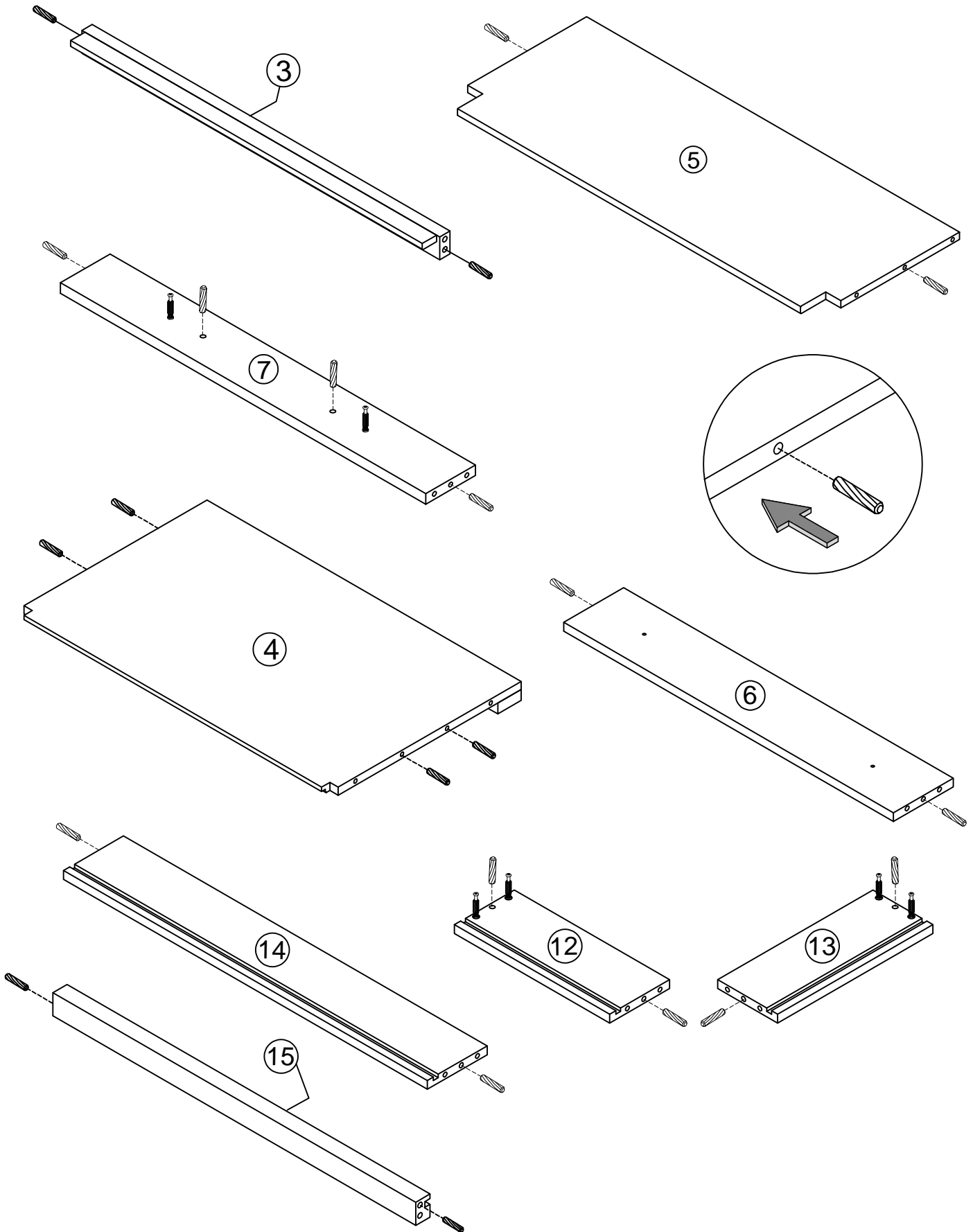
The rear part
of the slide rail



- While the rear part of the slide rail is attached to both side panels of the cabinet using screws in the pre-drilled positioning holes


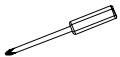
STEP 4

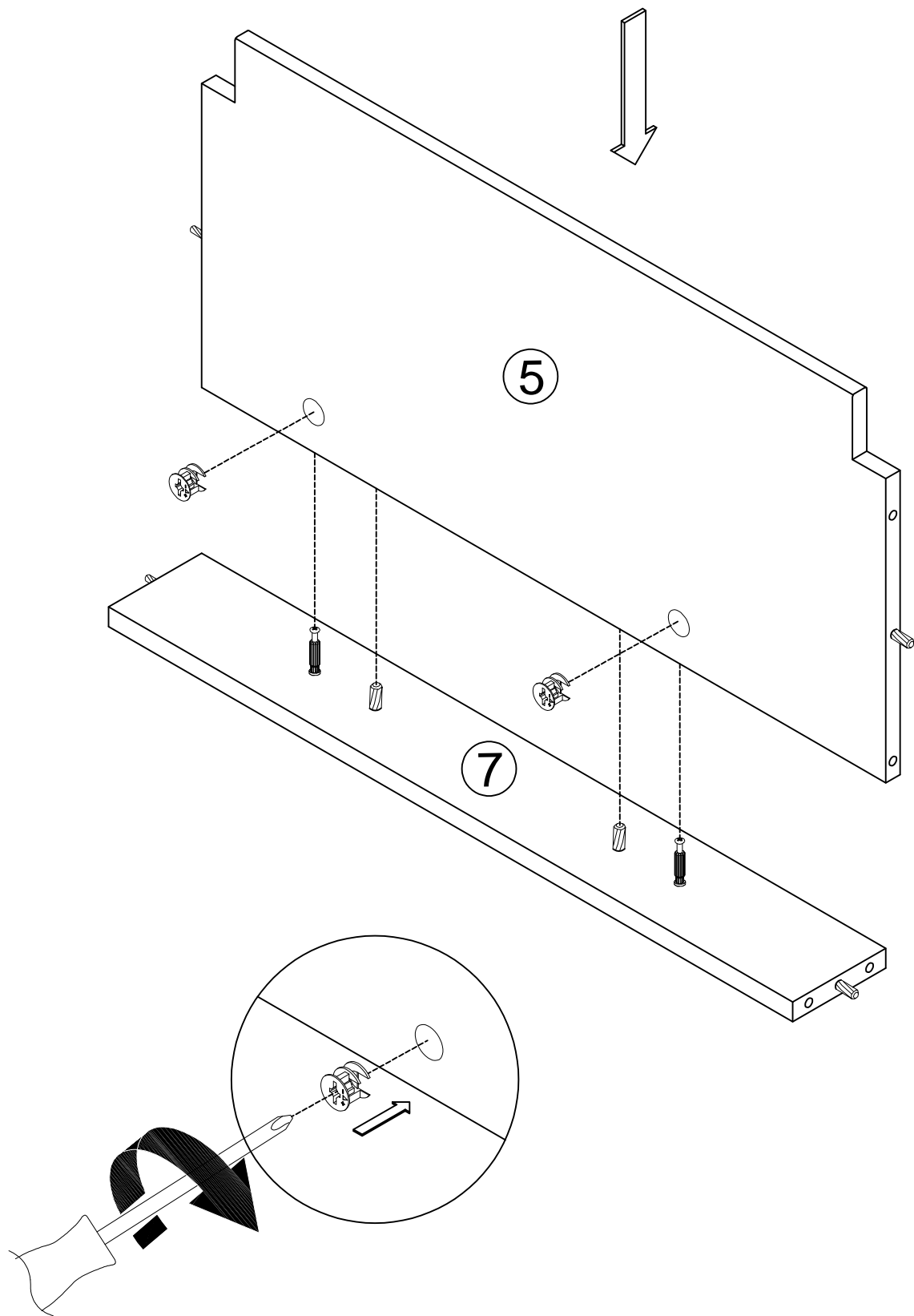
HARDWARE LIST	
 20 PCS	



○ Insert the wooden dowel pins into the shelves


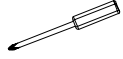
STEP 5

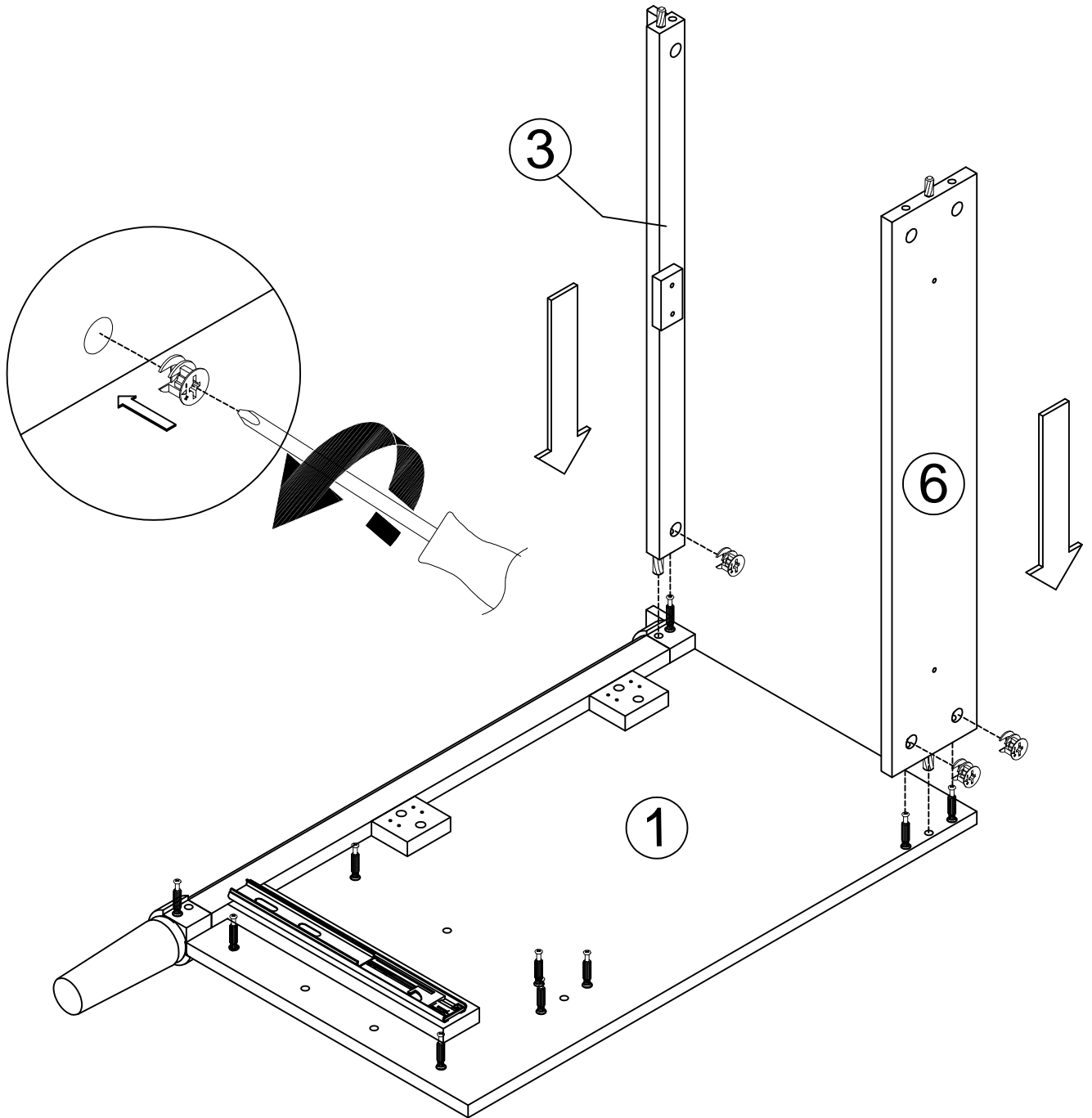
HARDWARE LIST	
A	 2 PCS
	



° Refer to the illustration, already assembled #7 on the shelf #5. Then tighten the cam lock


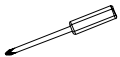
STEP 6

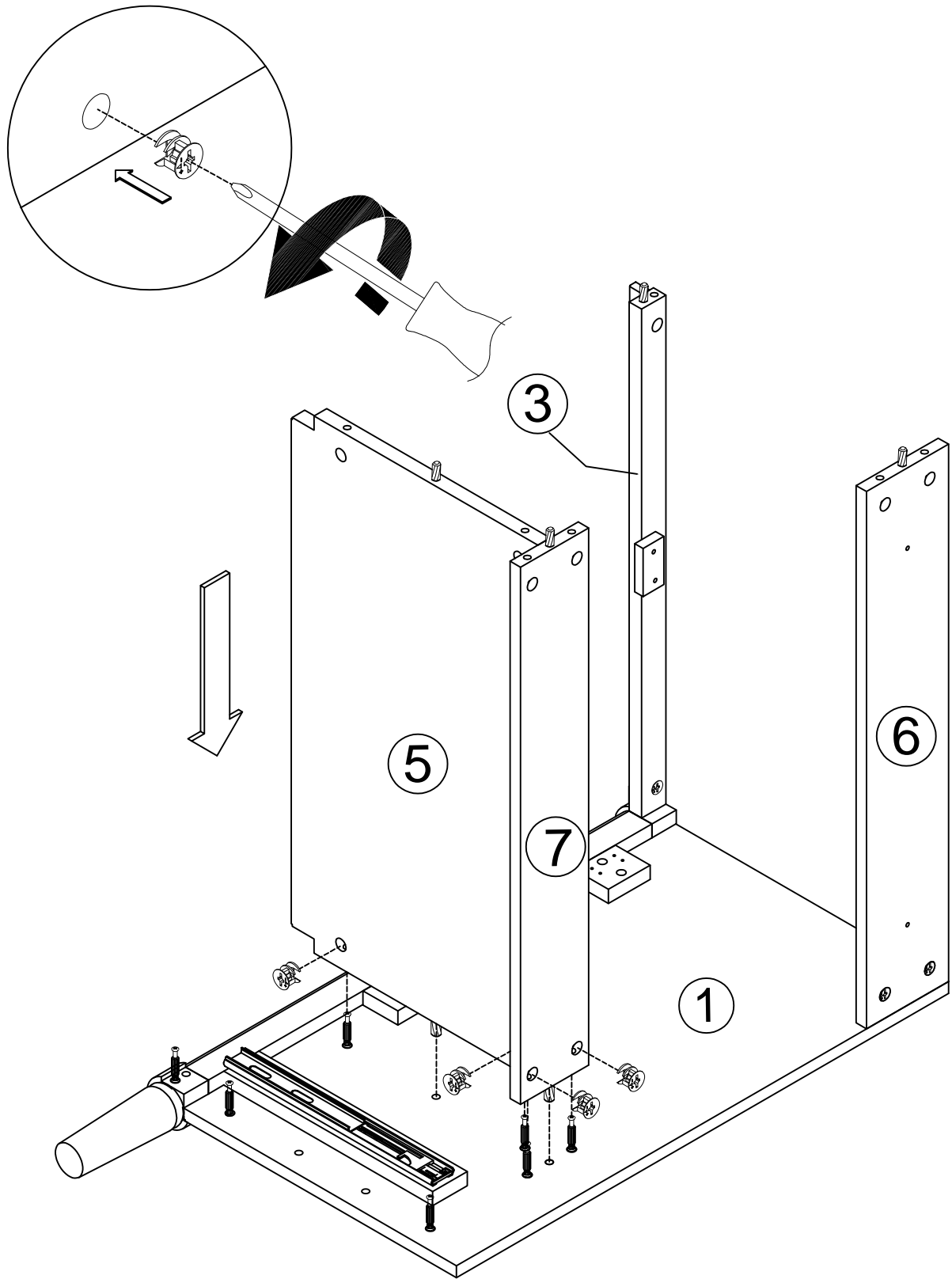
HARDWARE LIST	
A	 3 PCS
	



- Refer to the illustration, already assembled #3, #6 on the side panel. #1. Then tighten the cam lock



STEP 7

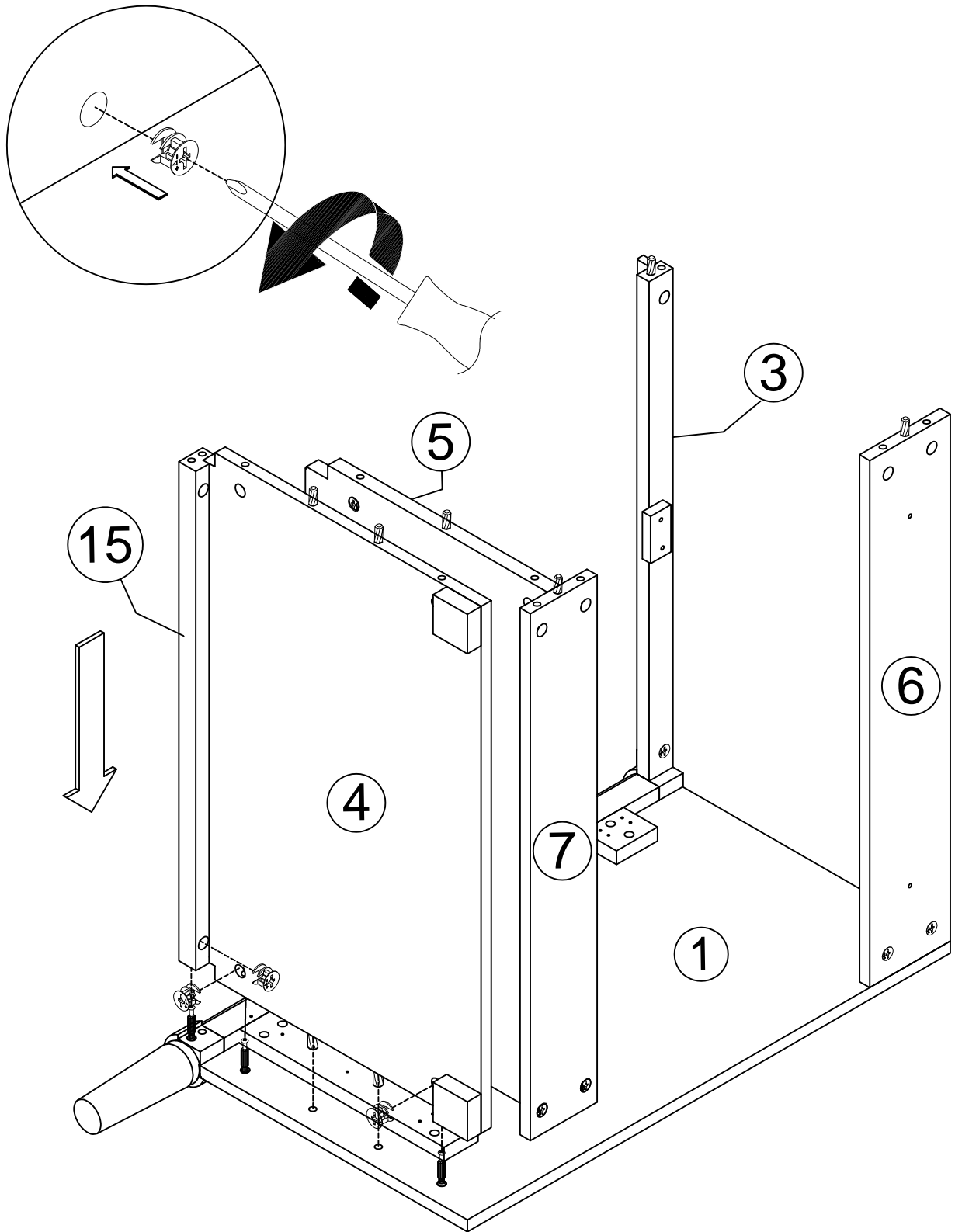
HARDWARE LIST	
A	 4 PCS
	



- Refer to the illustration, already assembled #5, #7 on the side panel. #1. Then tighten the cam lock


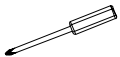
STEP 8

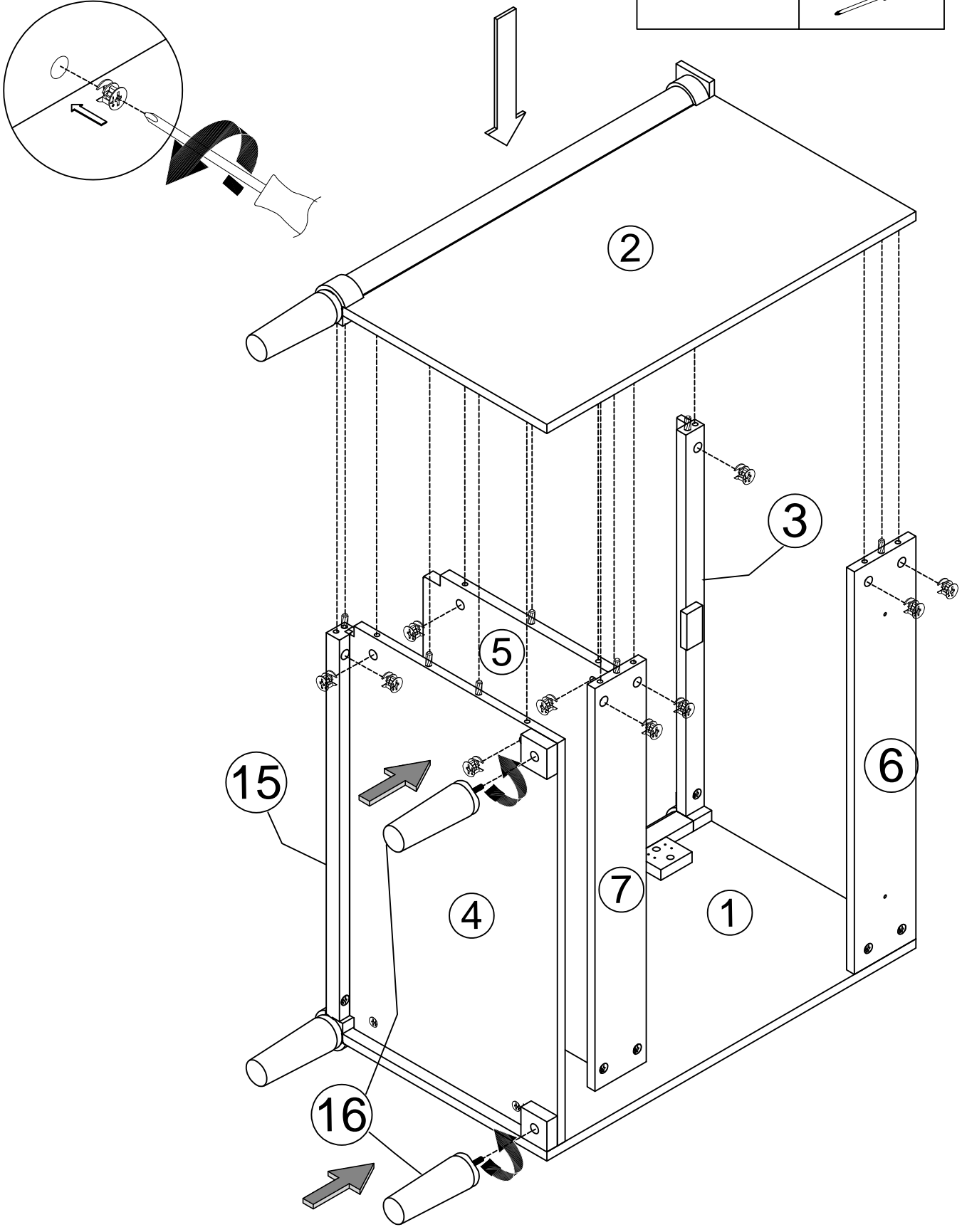
HARDWARE LIST	
A	 3 PCS
	



- Refer to the illustration, already assembled #4 on the side panel. #1.
Then tighten the cam lock





STEP 9

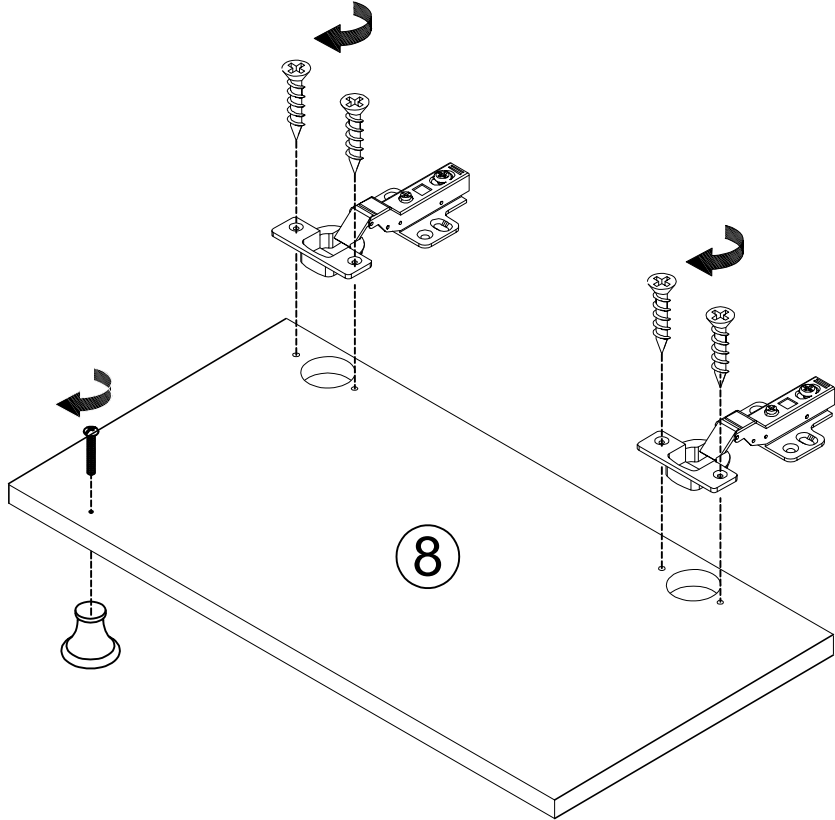
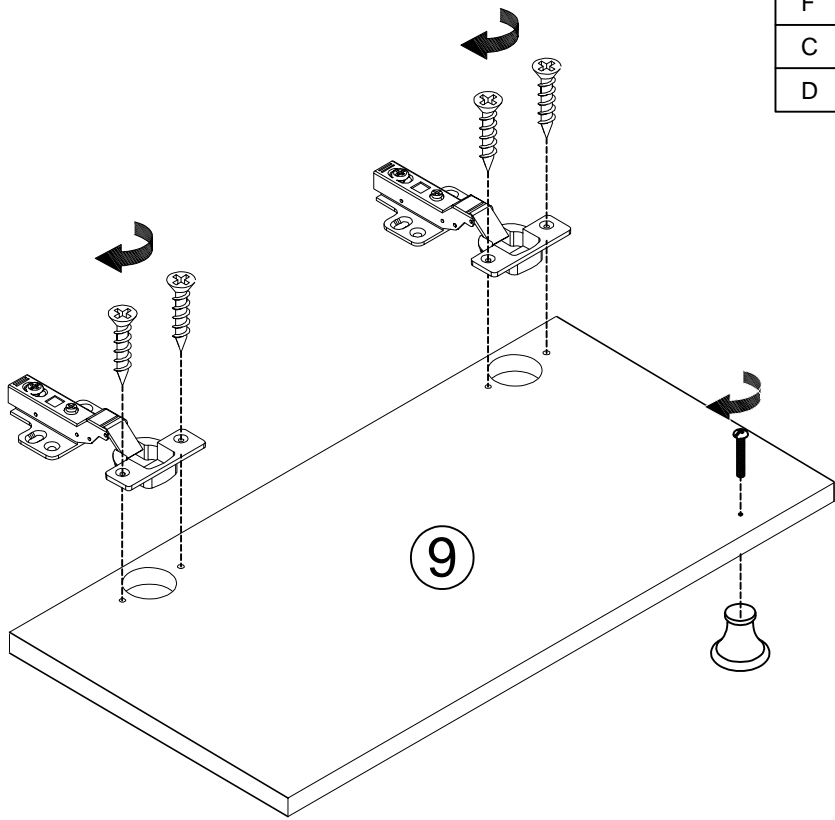
HARDWARE LIST	
A	 10 PCS
	



- Refer to the illustration, already assembled side panel #2 on the side sheft #5, #7, #4 . Then tighten the cam lock
- Install the foot #16 under the bottom board #4, twist in the direction of the screw to connect


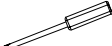
STEP 10

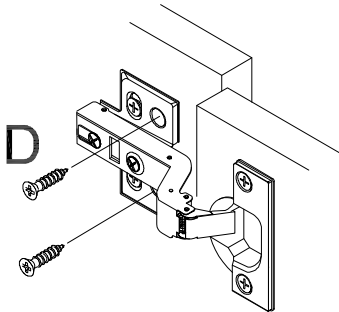
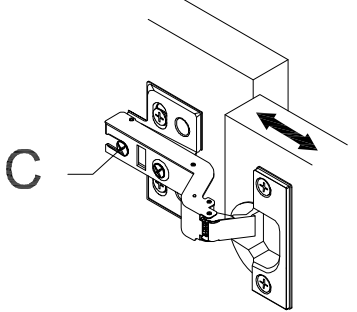
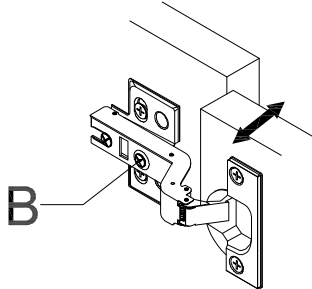
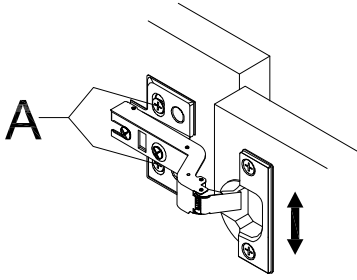
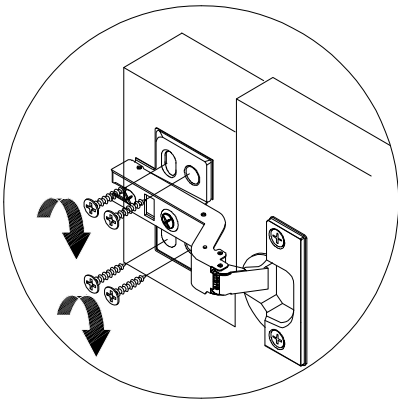
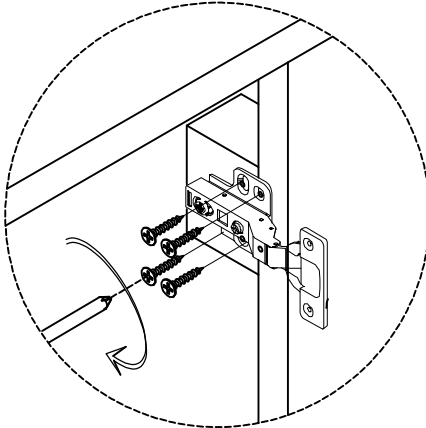
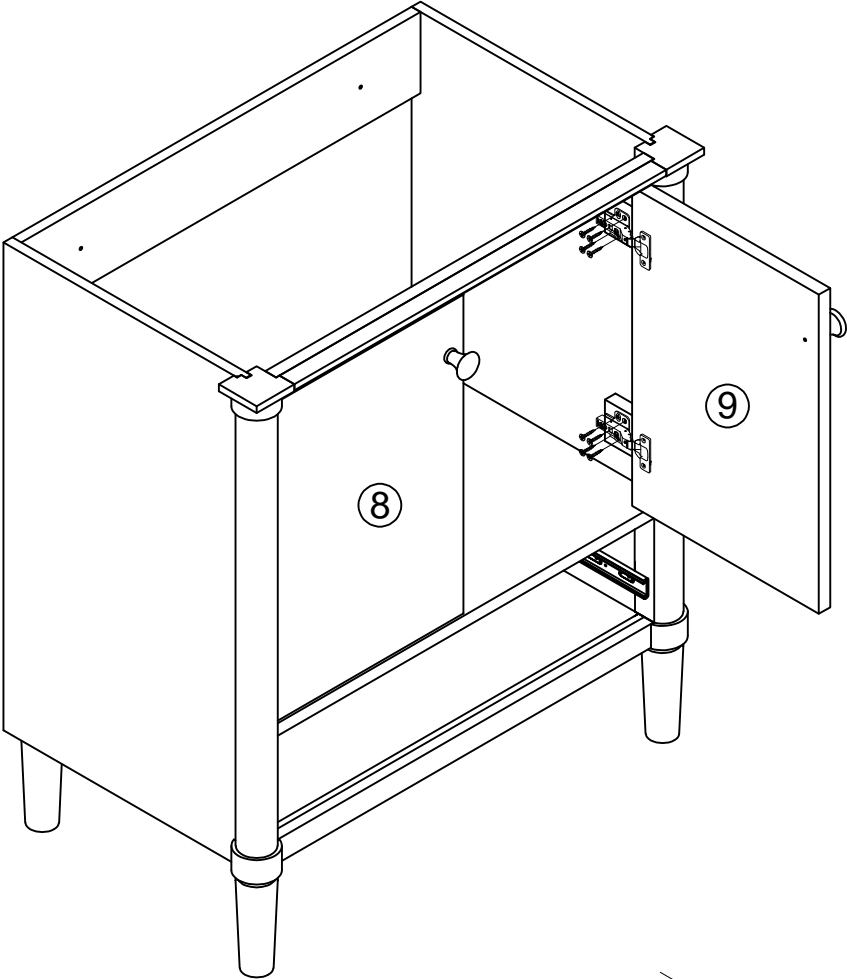
HARDWARE LIST		
E		4 PCS
F		8 PCS
C		2 PCS
D		2 PCS



○ Use Screws to install the handle and apply Screws to fix the hinge on the door #8 and #9

STEP 11

HARDWARE LIST	
F 	16 PCS
	



A. Height adjustment
C. Depth adjustment

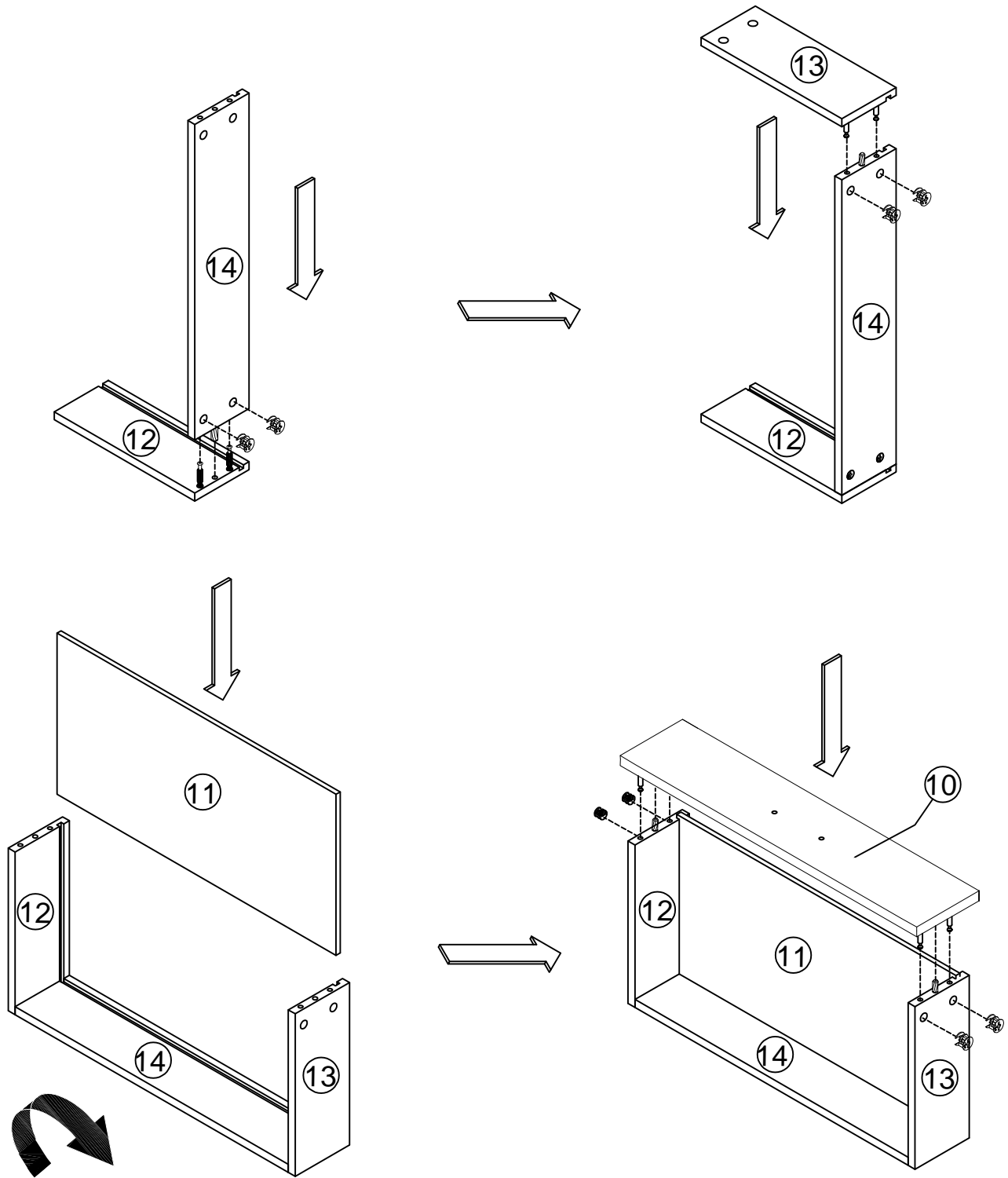
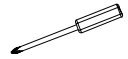
B. Side to side adjustment
D. After adjustment A/B/C, tighten screws

○ To ensure proper cabinet alignment, refer to the above illustrations for instructions about adjusting the cabinet height, depth and lateral movement

STEP 12



HARDWARE LIST

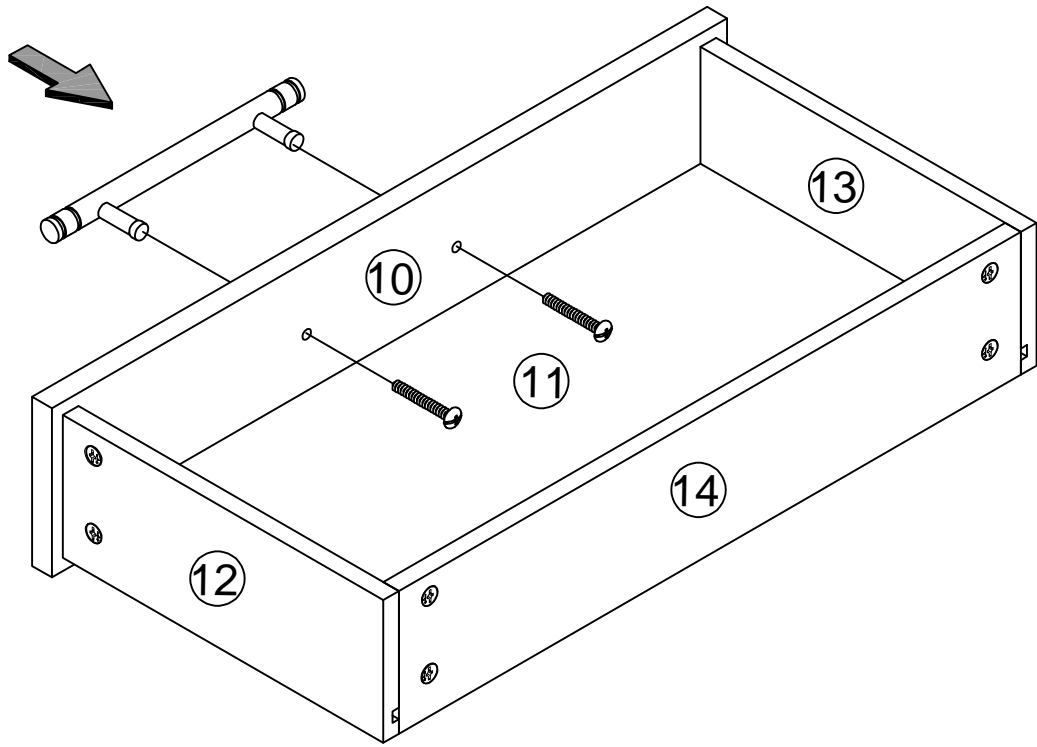
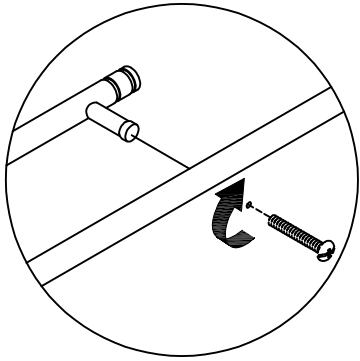
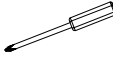
A  12 PCS



- The side panels of drawer #12 and #13 are connected to the back panel of drawer #14 using Camlock, then the bottom panel of drawer #11 is inserted into the groove.

STEP 13

HARDWARE LIST	
B	 1 PCS
D	 2 PCS



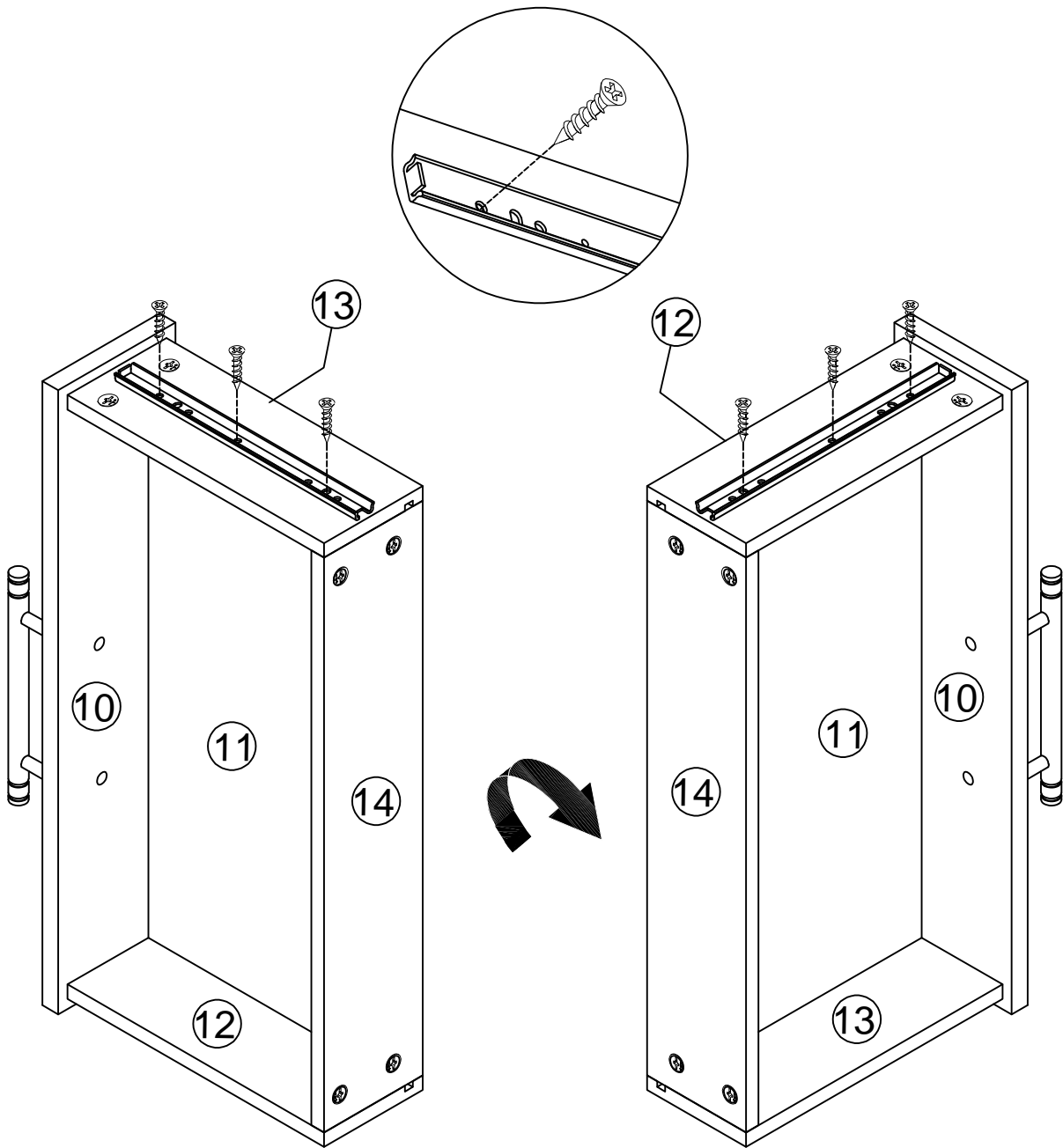
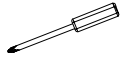
○ The front panel of drawer #10 is connected to the side panels of drawers #12 using Camlock , Use Screws to install the handle.

STEP 14

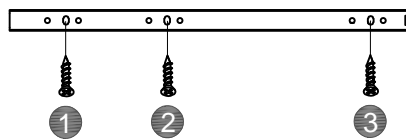
HARDWARE LIST

G  1 SET

H  6 PCS

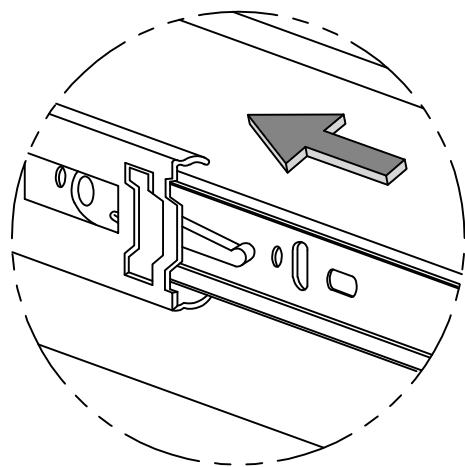
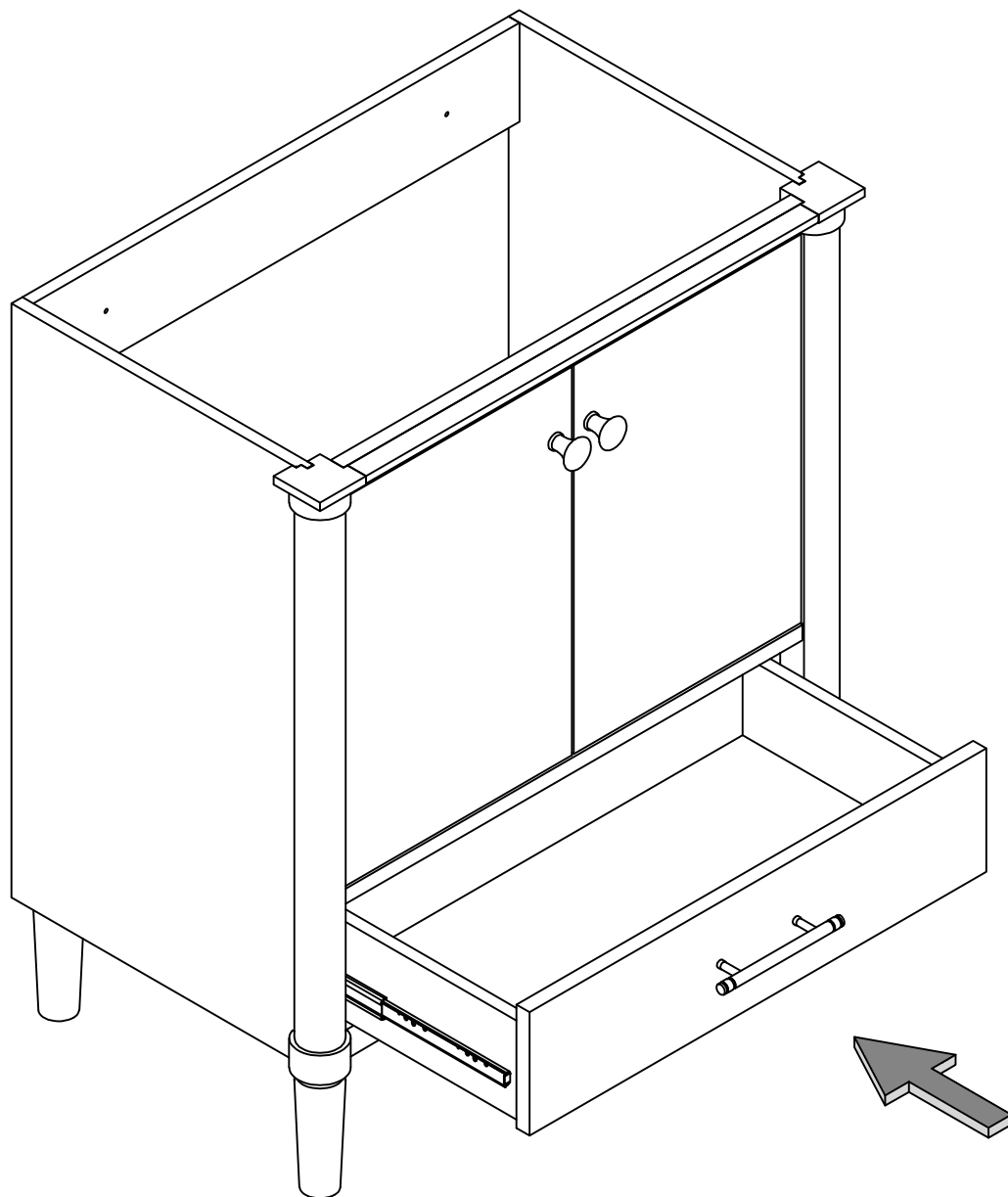


The front part
of the slide rail



- The front part of the slide rail is attached to both side panels of the drawer using screws in the pre-drilled positioning holes

STEP 15



- Install the drawer so that it aligns with the slides already attached to the cabinet, then slowly push it in

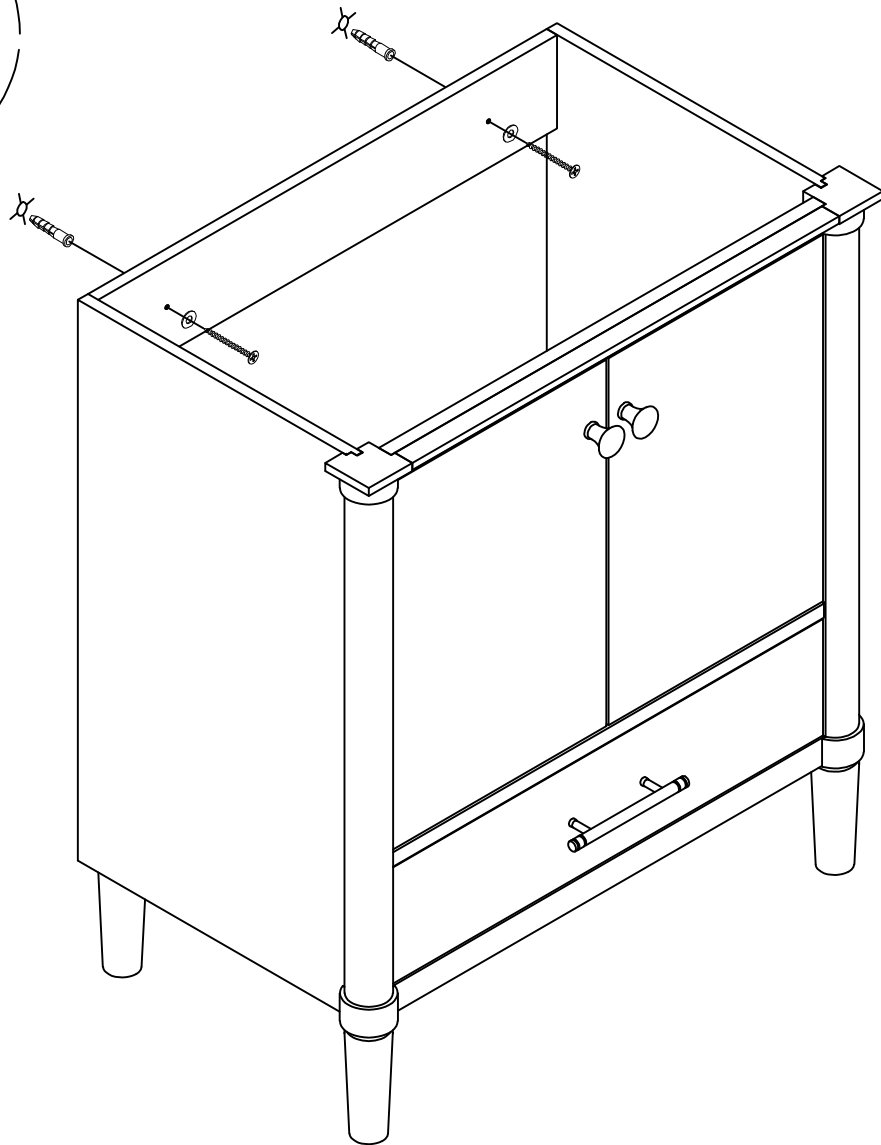
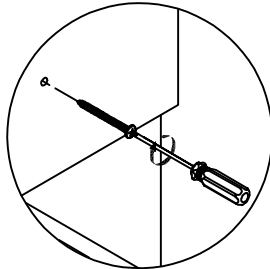
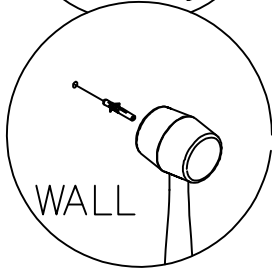
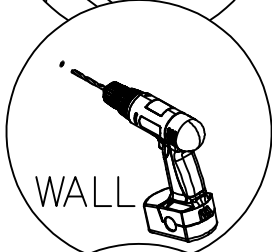
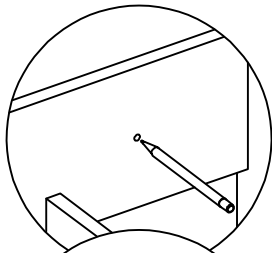
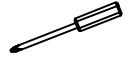
STEP 16

HARDWARE LIST

J  2 PCS

J  2 PCS

J  2 PCS

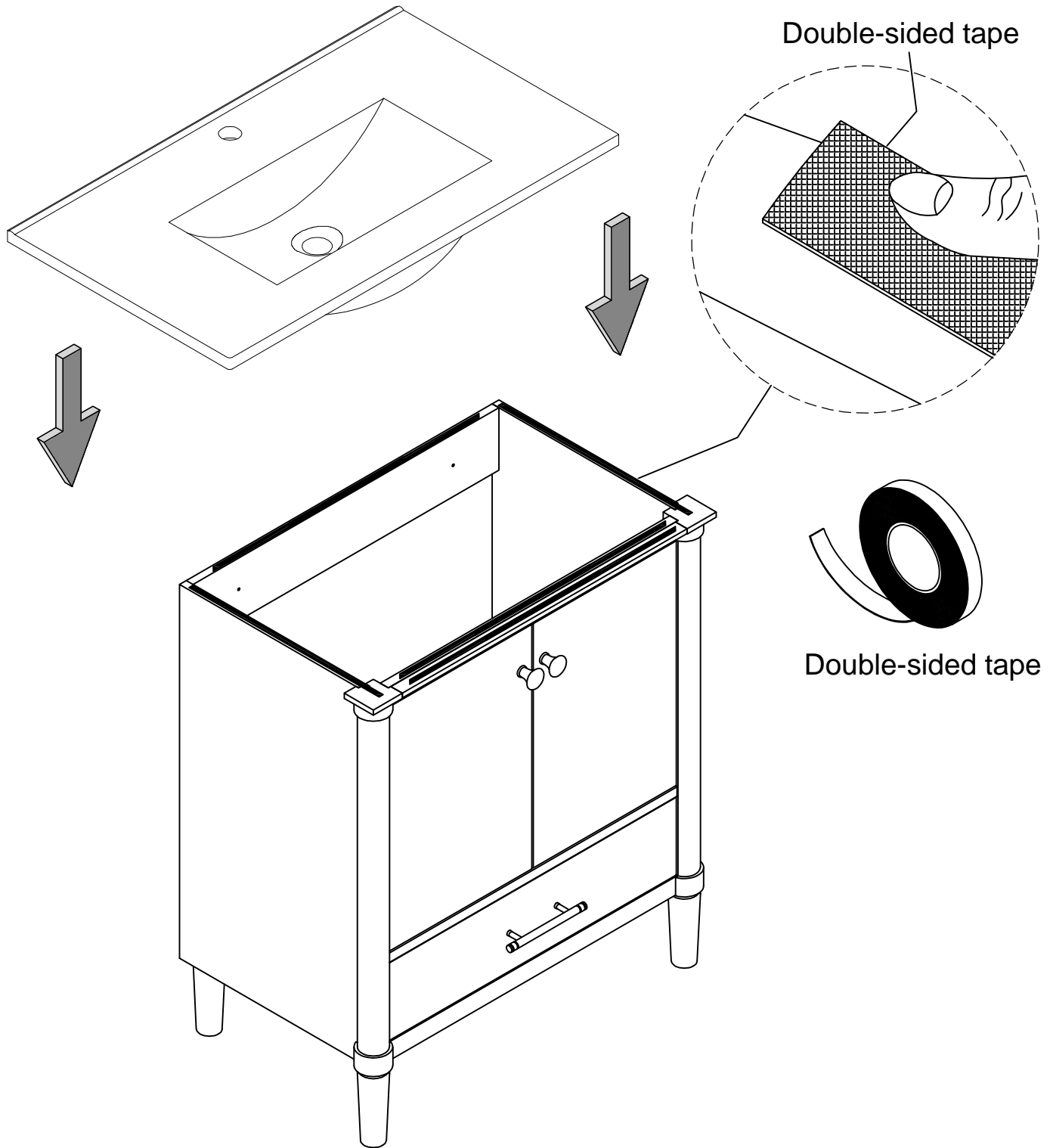


○ Refer to the illustration, Draw the spacing between the walls on the cabinet, punch holes in the wall and fix the cabinet to the wall with screws.

STEP 17

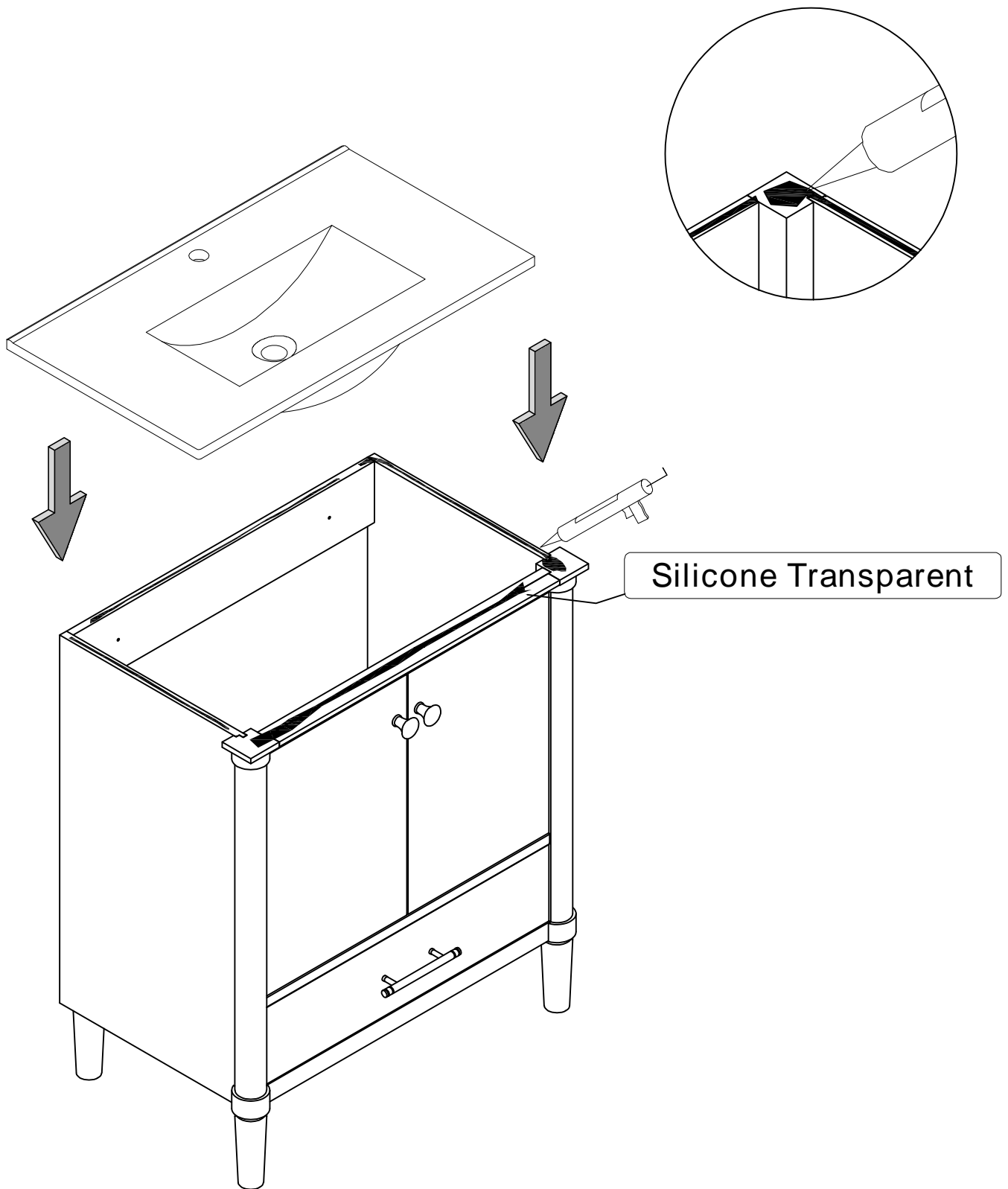
HARDWARE LIST

L  1 PCS



- Use double-sided adhesive tape along the top edges that contact the sink to reduce wobbling when placing the sink on the cabinet.

STEP 18



- Alternatively, silicone adhesive can be used to secure the sink in place after positioning it on the cabinet.

FINISH

