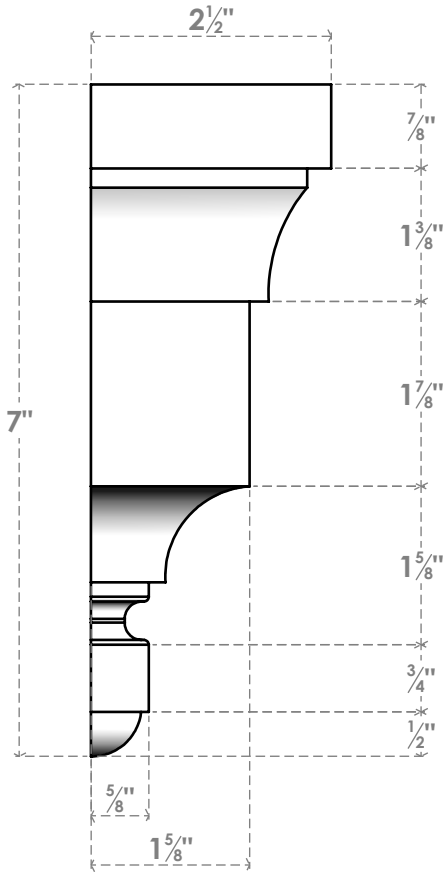
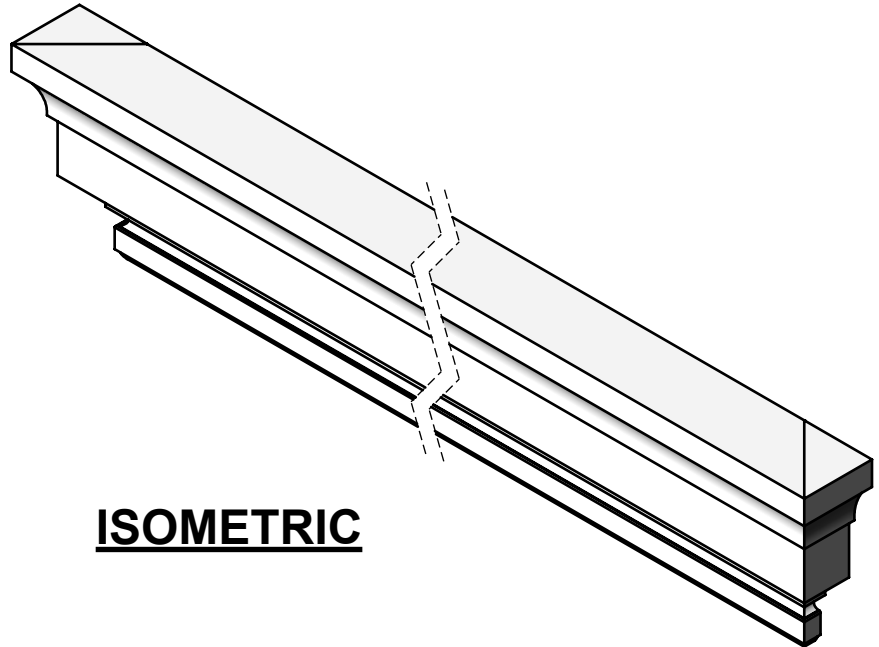


# ITEM NUMBER: CRH07X\*\*\*ST

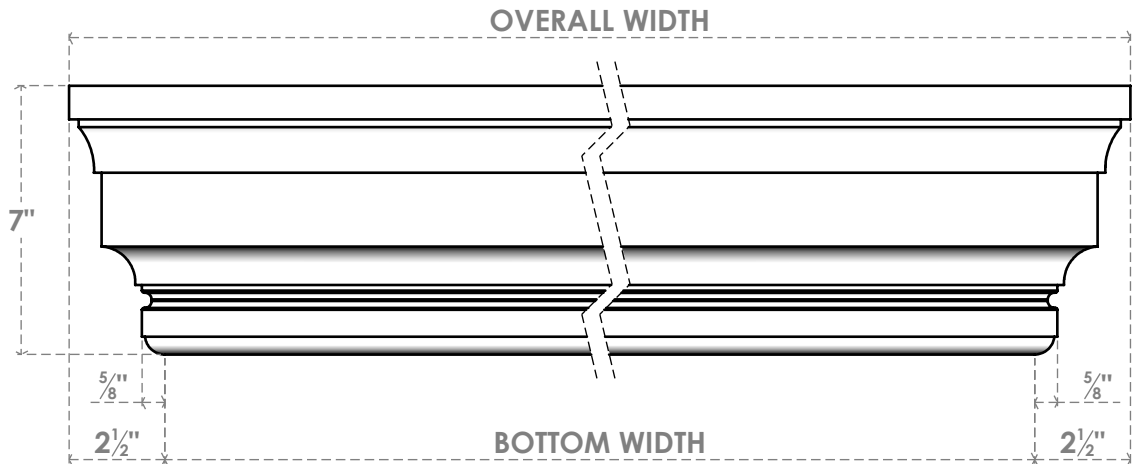
STOCKPORT STYLE CROSSHEAD, HIGH DENSITY POLYURETHANE, FACTORY PRIMED, AVAILABLE IN WIDTHS (BOTTOM) FROM 24" - 180" (SOLD IN 1" INCREMENTS)



**SIDE**



**ISOMETRIC**



**FRONT**



EKENA MILLWORK  
2300 WEST MAIN ST.  
CLARKSVILLE, TX 75426  
TOLL FREE: 866-607-0453  
WWW.EKENAMILLWORK.COM

GENERATED DATE : 08/22/2024

**NOTES**

1. INSTALLATION TO BE COMPLETED IN ACCORDANCE WITH MANUFACTURER'S SPECIFICATIONS.
2. DRAWING MAY NOT BE TO SCALE
3. THIS DRAWING IS INTENDED FOR DESIGN AND PLANNING PURPOSES ONLY.
5. MANUFACTURED FROM HIGH DENSITY POLYURETHANE MATERIAL WITH FACTORY PRIMED FINISH.
6. FABRICATED WITH ENDS CAP FACTORY ASSEMBLED READY FOR INSTALL
7. ACTUAL DIMENSIONS MAY VARY DUE TO MATERIAL AND MANUFACTURING TOLERANCES