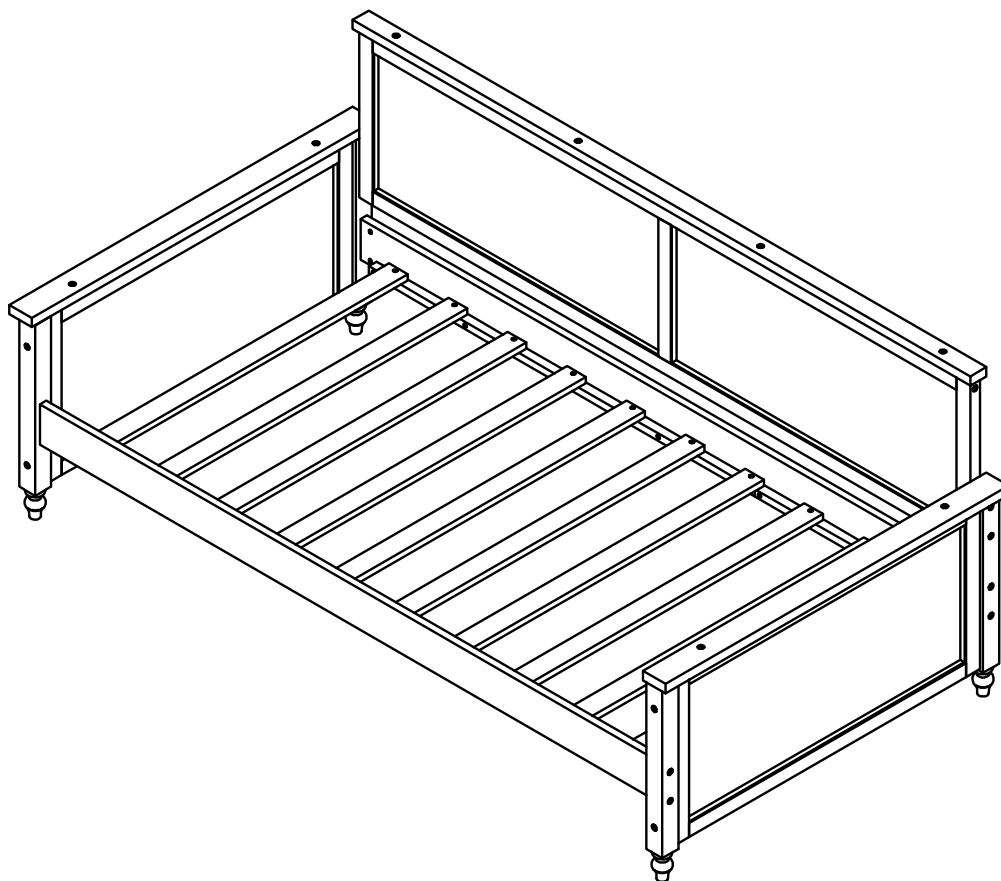


ASSEMBLY INSTRUCTIONS

DAY BED WF196484

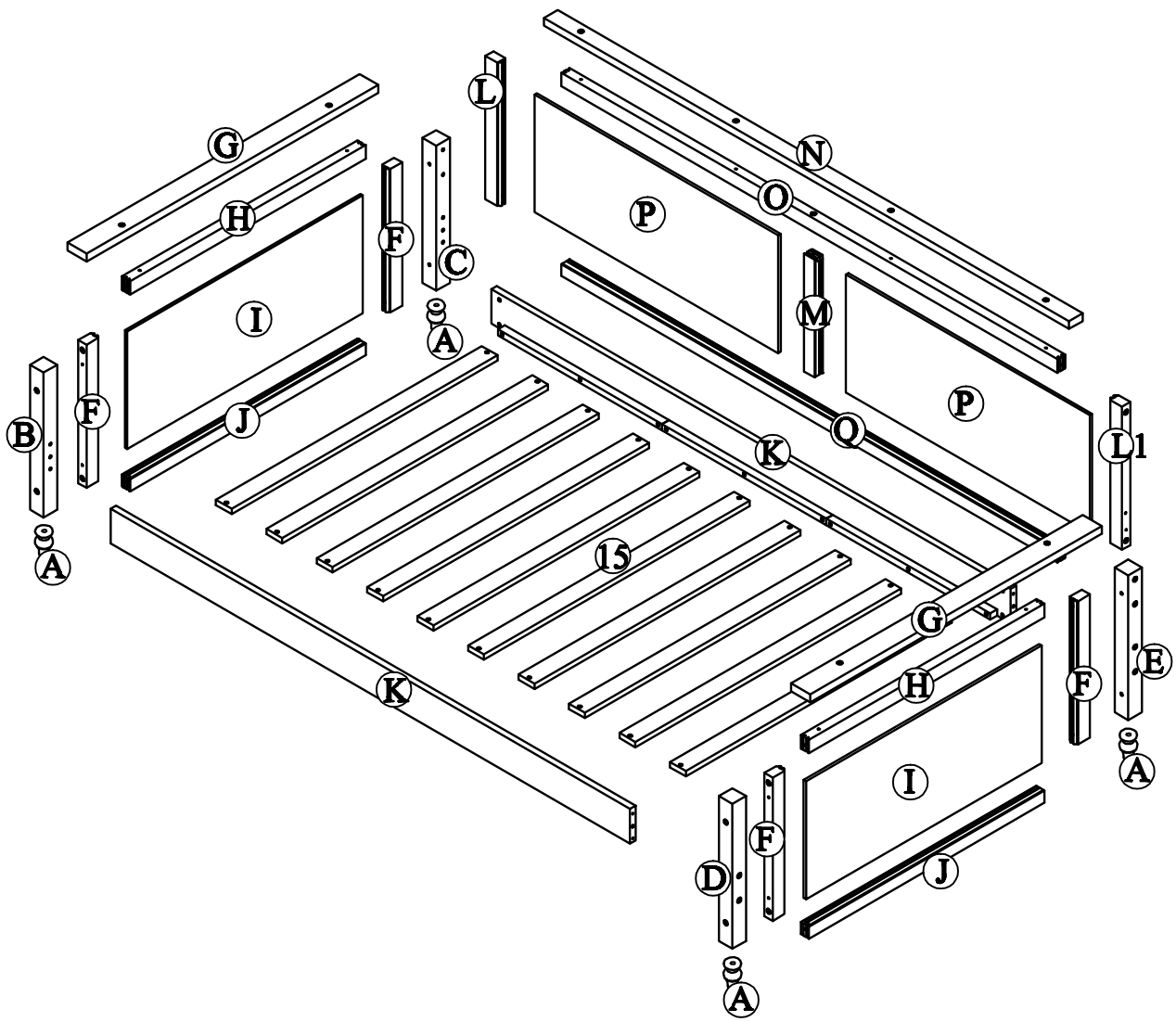


PLEASE DO NOT RETURN PRODUCT TO THE STORE.
If you have any problem or concerns, please feel free to contact our customer service department. We will reply you as soon as possible.

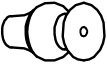
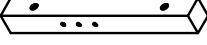
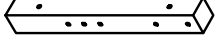
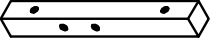
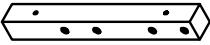
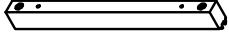
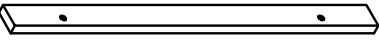
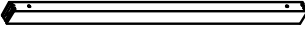



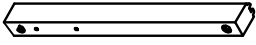


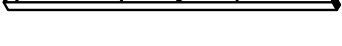


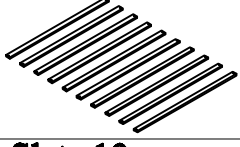


E-Mail: wmcsr@comptree.net
Tel: 626-912-8886 Ext.100



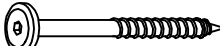
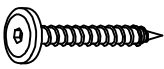

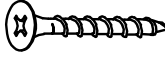


Detail View



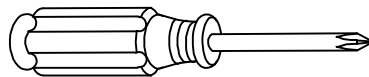
Part List

A 	B 	C 
Bottom leg-4pcs	Front leg (left)- 1pc	Back leg (left)- 1pc
D 	E 	F 
Front leg (right)- 1pc	Back leg (right)- 1pc	Vertical side bar- 4pcs
G 	H 	I 
Upper side bar- 2pcs	Horizontal top side bar- 2pcs	Side panel- 2pcs
J 	K 	L/L1 
Horizontal bottom side bar-2pc	Rail- 2pcs	Vertical back bar- 2pcs
M 	N 	O 
Vertical middle bar-1pc	Upper back bar-1pc	Horizontal back bar-1pc
P 	Q 	15 
Back panel- 2 pcs	Horizontal back bottom bar-1pc	Slats-10pcs

Hardware List

1  Ø10 x 30mm Wood dowel (14pcs)	2  (Ø15)1/4" x 85mm Bolts (8pcs)	3  Ø1/4" x 85mm Hex-Head bolts (26pcs)
4  Ø1/4" x 50mm Hex-Head bolts (8pcs)	5  1/4"*15 (9.5mm) Horizontal-Hole bolts (8pcs)	6  Ø4*30mm Wood screws (20 pcs)
7  Ø5/16" x 60mm Threadel Bolt (4pcs)	8  4*58mm Allen key (1pc)	

ASSEMBLY TOOLS REQUIRED (NOT INCLUDED)



PLEASE BE CAREFUL DO NOT DAMAGE THE HOLE POSITION WHEN YOU USE POWER TOOLS !

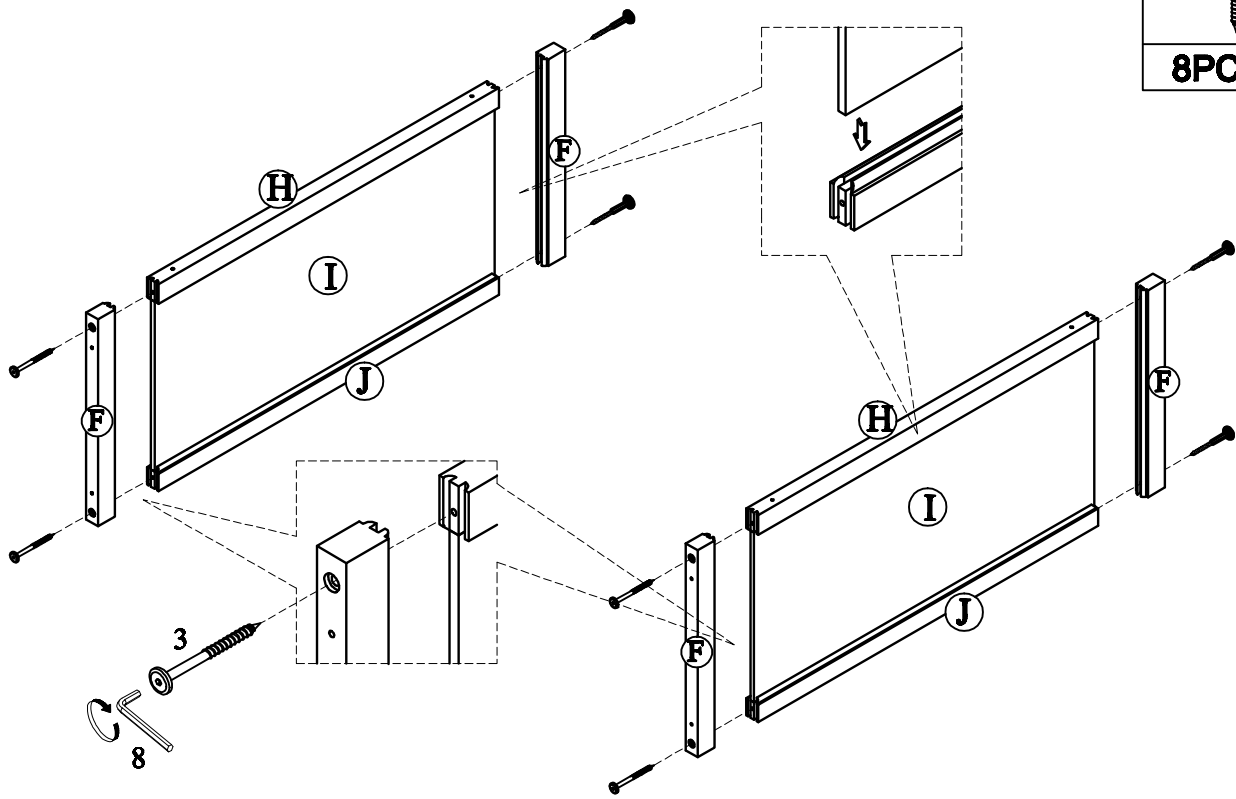
STEP 1:

Following below illustration Assembly SIDE FRAME. Insert PANEL I in the PART H & J. Then Using hardware #3 connect with PART F to complete SIDE FRAME.

3



8PCS



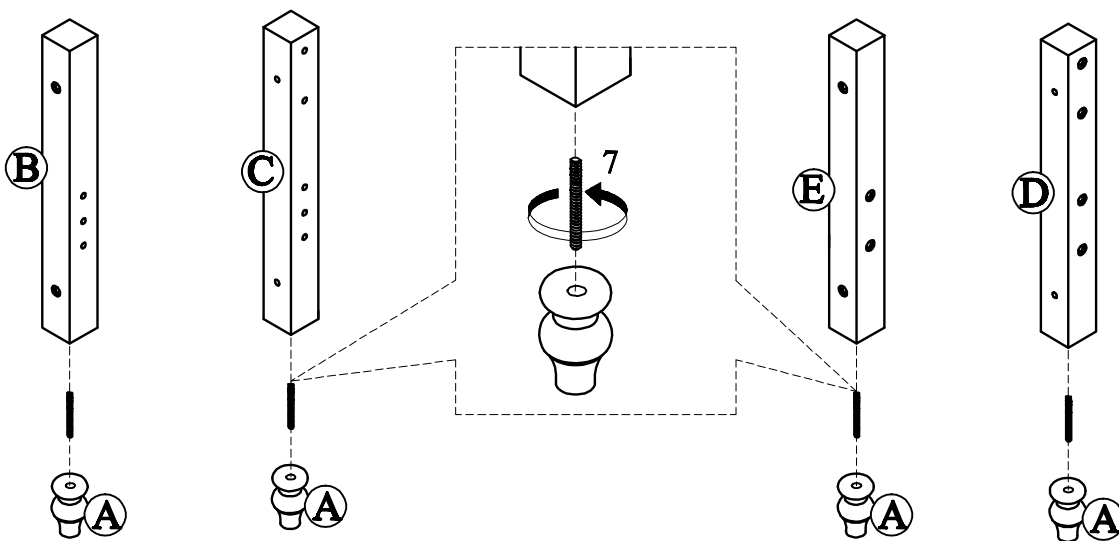
STEP 2:

Following below illustration Assembly LEGS. Using hardware #7 connect A(x4) with PART B, C, D & E to complete LEGS.

7

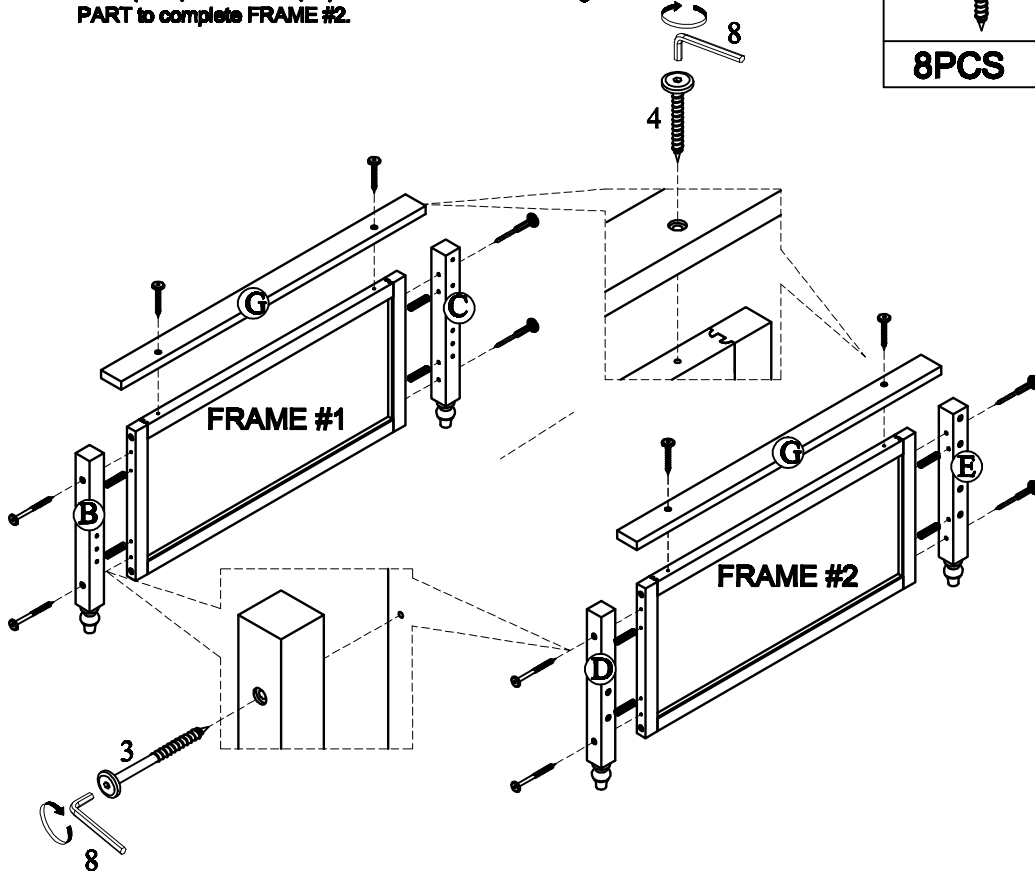


4PCS



STEP 3:

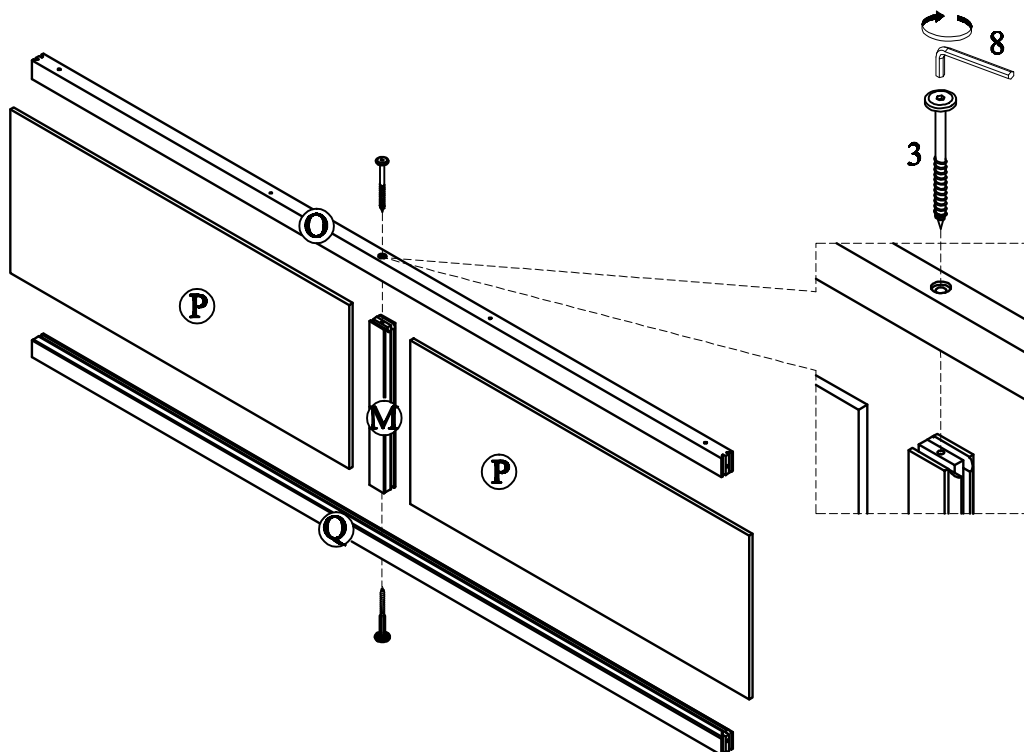
Following below illustration Assembly FRAME #1 & FRAME #2. Using hardware #3 connect FRAME SIDE (Completed on Step 1) with PART B & C then using hardware #4 connect with PART G to complete FRAME #1. Using hardware #3 connect FRAME SIDE (Completed on Step 1) with PART F & E then using hardware #4 connect with PART to complete FRAME #2.



3		4	
8PCS		4PCS	
		1	
		8PCS	

STEP 4:

Following below illustration Assembly BACK BOARD. Insert PANEL P in the PART O, M & Q. Then using hardware #3 connect O & Q with PART M to complete BACK BOARD.



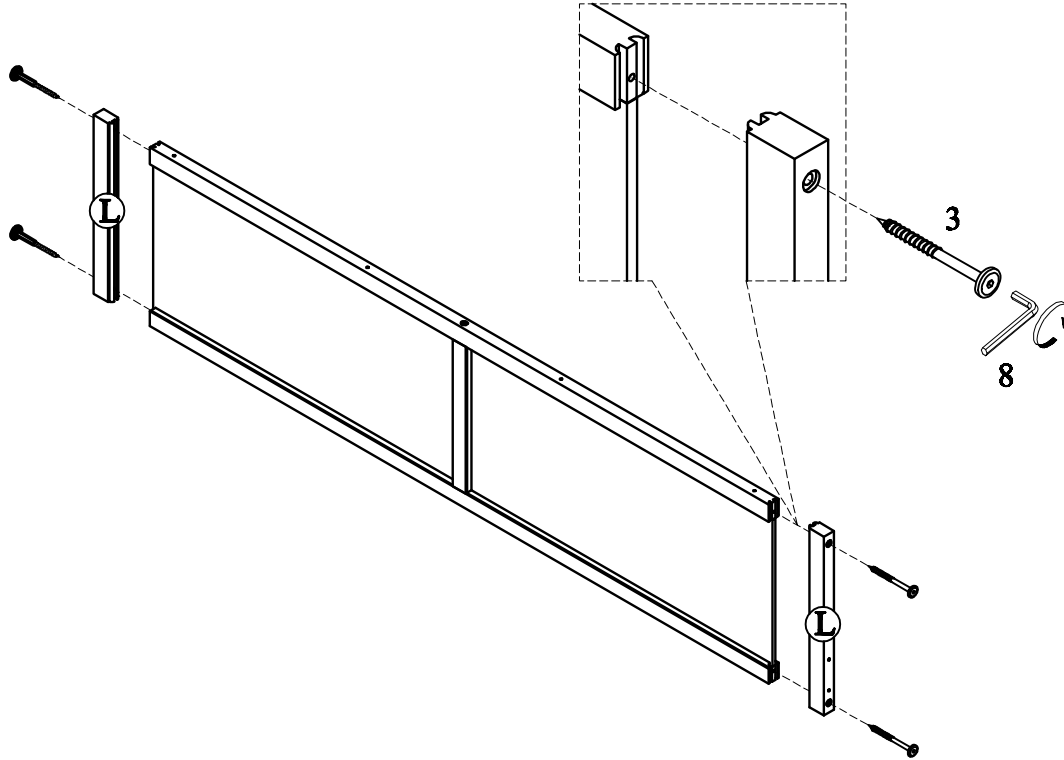
3	
2PCS	

STEP 5: Following below illustration Assembly BACK FRAME. Using hardware #3 connect BACK BOARD (Completed on Step 4) with PART L to complete BACK FRAME.

3



4PCS

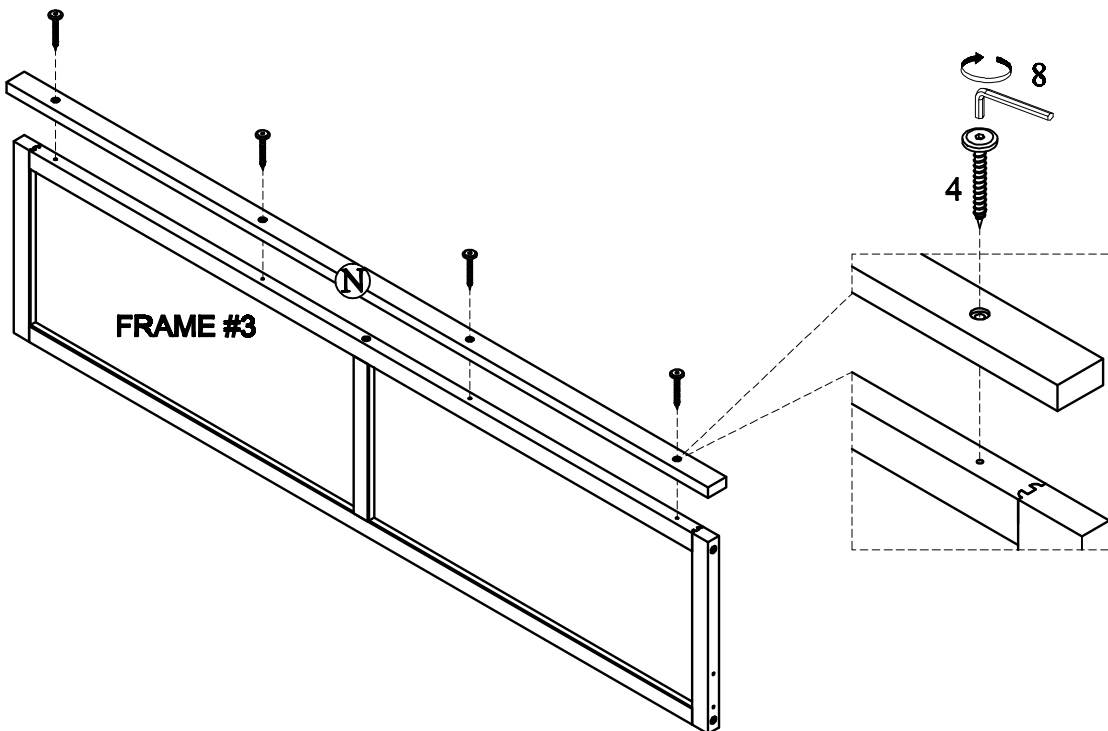


STEP 6: Following below illustration Assembly FRAME #3. Using hardware #4 connect BACK FRAME (Completed on Step 5) with PART N to complete FRAME #3.

4

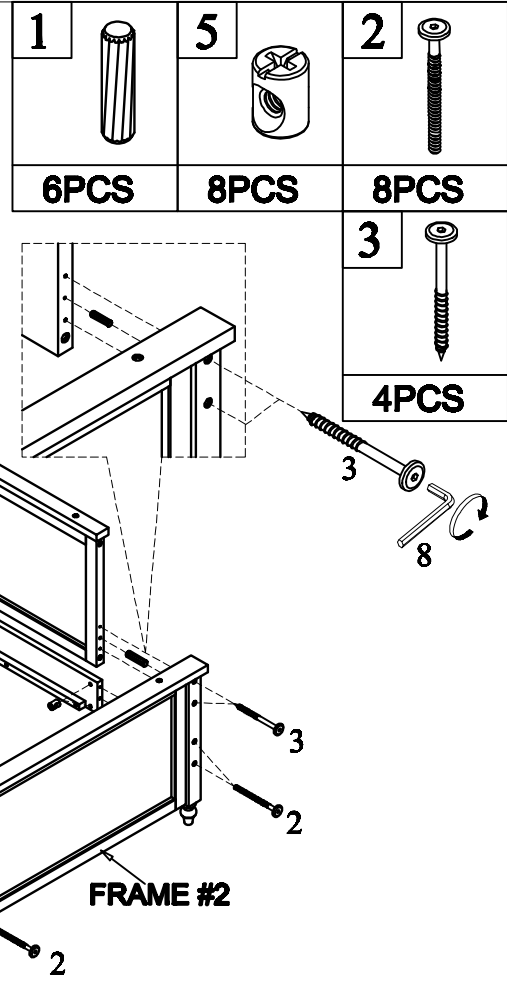


4PCS



STEP 7:

Following below illustration Assembly TWIN BED. Using hardware #5, #1 & #2 connect FRAME #1 & FRAME #2 with PART K(2). Using hardware #1 & #3 connect FRAME #1 & FRAME #2 with FRAME #3.



STEP 8:

Following below illustration COMPLETED TWIN BED. Using Screw #6 to screw all 15 on side rails. **Remember to screw all slats before using**

