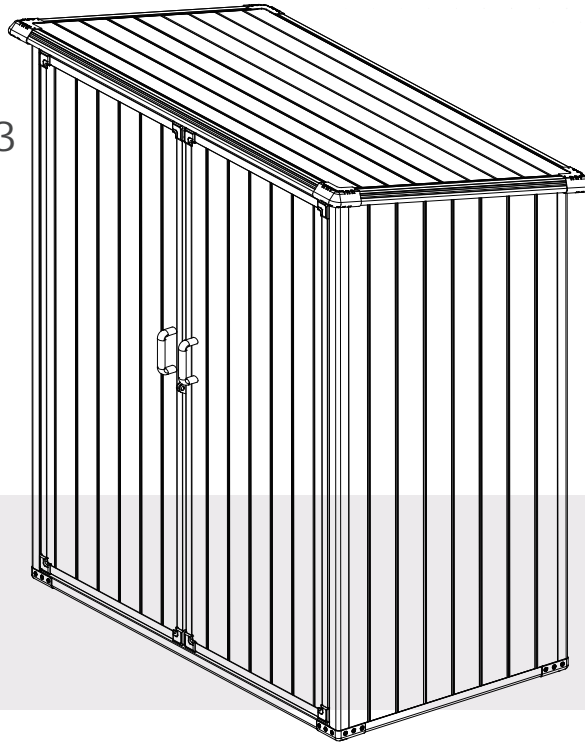
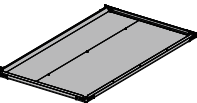
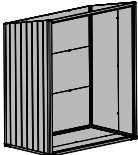




MANUAL INSTRUCTION

TOOL SHED

SLD-C35-V3



part 1: Precautions and preparations	3-7
part 2: Material list (please check before installation)	8-12
part 3: Foundation installation	13-19
	
part 4: Cabinet installation	20-37
	
part 5: Roof installation and internal wiring	38-48
	
part 6: Door installation and adjustment	49-67
	
part 7	68

Outdoor Furniture

We are a professional furniture provider with top-notch factories and outstanding designs, Our mission is to provide consumers with new lifestyles. By collecting consumer feedback, we constantly improve our products and create more choices for consumers. If you want to create your space, We are an ideal choice.

Always.

I BEFORE YOU START

Owner's Manual

Prior to installation, it is important that you contact your local government authority to determine if building approval is required. Study and understand this owner's manual. Important information and helpful tips will make your construction easier and more enjoyable.

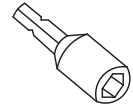
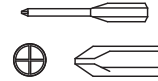
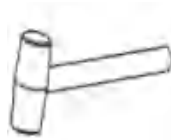
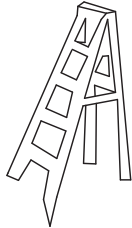
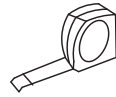
Assembly instructions

Instructions are supplied in this manual and contain all appropriate information for your building model. Review all instructions before you begin. During assembly, follow the step sequence carefully for correct results. Please be aware: this unit takes two people about one full day to complete.

Parts

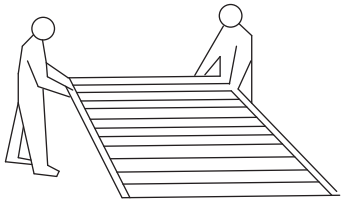
Check to be sure that you have all the necessary parts for the building. Separate contents of the carton by the part number while reviewing parts list. Familiarize yourself with the hardware and fasteners for easier use during construction. These are packaged within the carton. Note that extra fasteners have been supplied for your convenience.

TOOLS MAY REQUIRED



Use heavy duty gloves when handling steel sheets and flashing.

PLAN AHEAD



It requires two people a full day to complete installation

Watch the weather:

Please be sure the day you select for installation is dry and calm.

DO NOT attempt to assemble your shed in windy weather because of risk of damage to panels, or personal injury. Be careful of wet or muddy ground.

Teamwork:

Whenever possible, two or more people should work together to assemble the building. One person can position parts or panels while the other is able to handle the fasteners and the tools.

I PLAN AHEAD

Site Selection

- Avoid overhanging trees as much as possible as leaves will make regular cleaning necessary and broken branches are a potential hazard.
- Small trees, bushes or fences nearby can be helpful, acting as a wind break

Site Preparation

The site must be prepared so that the base of the shed is level all round and checking with a spirit level is required.

The base can be constructed by treated timber or concrete, in order to stop the moisture getting into the shed. The shed is not designed to be built onto lawn directly. Also the ground will get muddy during rainy days.

If a concrete pad is made, it is important that this slopes towards the edges to prevent water ingress.

Time must be allowed for any concrete or cement to dry before building the shed on top

Bases can also be constructed from bricks, blocks, or mounted on a concrete pad. The bricks or blocks should be cemented onto firm and level concrete footings and the greenhouse frame drilled and screwed to the base.

I IMPORTANT NOTES

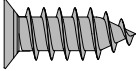

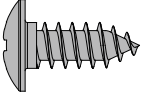
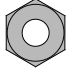
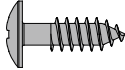
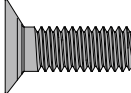
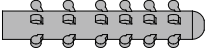
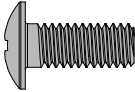
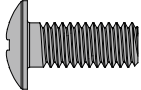
- Find someone to help you: it is much easier with someone to hold parts, pass tools ect ALSO some steps require two people to lift structures together This is not very heavy work SO would suit most able-bodied people.
- Allow plenty of time: rushing often causes errors and the re-doing of incorrect assemblies If you have never built a shed before, it can take most of a day to carefully complete the construction.
- Have the right tools to hand.
- Safety clothing as recommended in the 'Tools' section.
- Ideally lay out the parts and check that all are present before commencing construction. Lay on cloths or plastic sheets if there is any risk of scratching the parts.
- Tighten all nuts carefully, being sure not to miss any. Check the frame is square and using a spirit level to check that it is upright.

Part 2: **Material list**

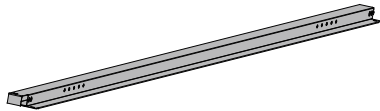
As this item contains many parts, please read the installation instruction carefully before installation . Please use tools properly and carefully. If you have any questions about the product and installation, please contact us.

(please check before installation)

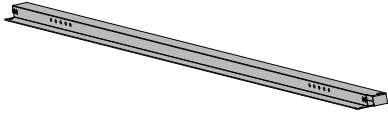
HARDWARE

	E01	X 36		E06	X 4
	E02	X 235		E11	X 4
	E03	X 24		E12	X 24
	E04	X 4		E13	X 4
	E05	X 4			

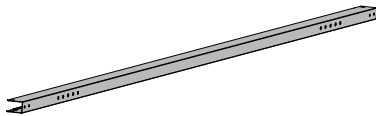
PARTS



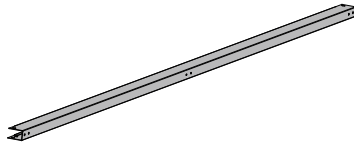
A01 X 1



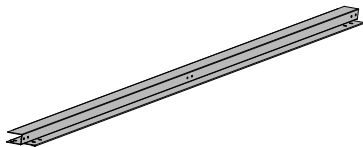
A02 X 1



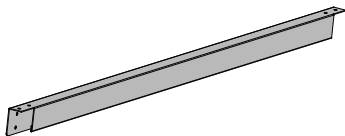
A03 X 2



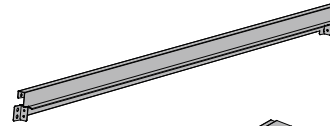
A04 X 1



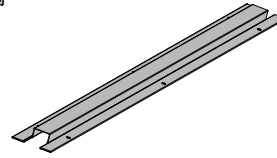
A05 X 1



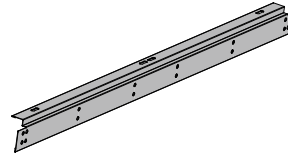
A06 X 4



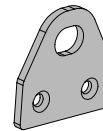
A07 X 1



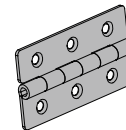
A08 X 1



A09 X 4

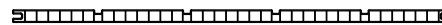


A12 X 2



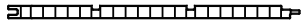
A15 X 4

1398x492mm



C01 X 1

PARTS



1398x310mm

C02

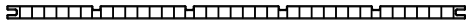
X 1



1579x310mm

C08

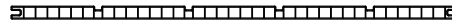
X 1



1616x492mm

C03

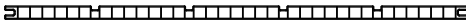
X 1



1682x492mm

C09

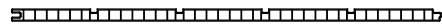
X 1



1616x492mm

C04

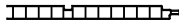
X 1



1398x510mm

C10

X 3



1616x176mm

C05

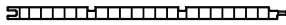
X 2



1480x400mm

C11

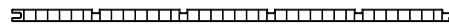
X 1



1682x310mm

C06

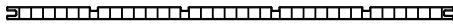
X 1



1480x510mm

C12

X 1



1619x492mm

C07

X 1

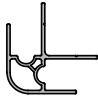


1356mm

C13

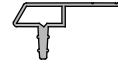
X 1

PARTS



750mm

C14 X 2



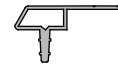
1390mm

C18-1 X 2



1690mm

C15 X 2



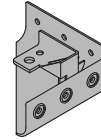
810mm

C19-1 X 2



1518mm

C16 X 2

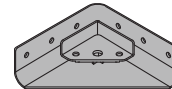


C20 X 1

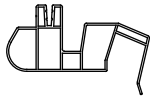


1356mm

C17 X 1

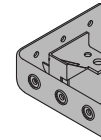


C27 X 2

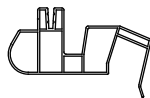


1390mm

C18 X 2

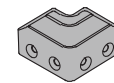


C28 X 1



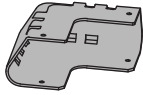
810mm

C19 X 2

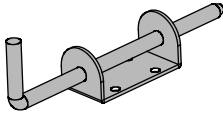


C29 X 8

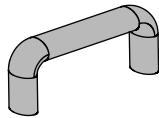
PARTS



C30 X 4



D01 X 2

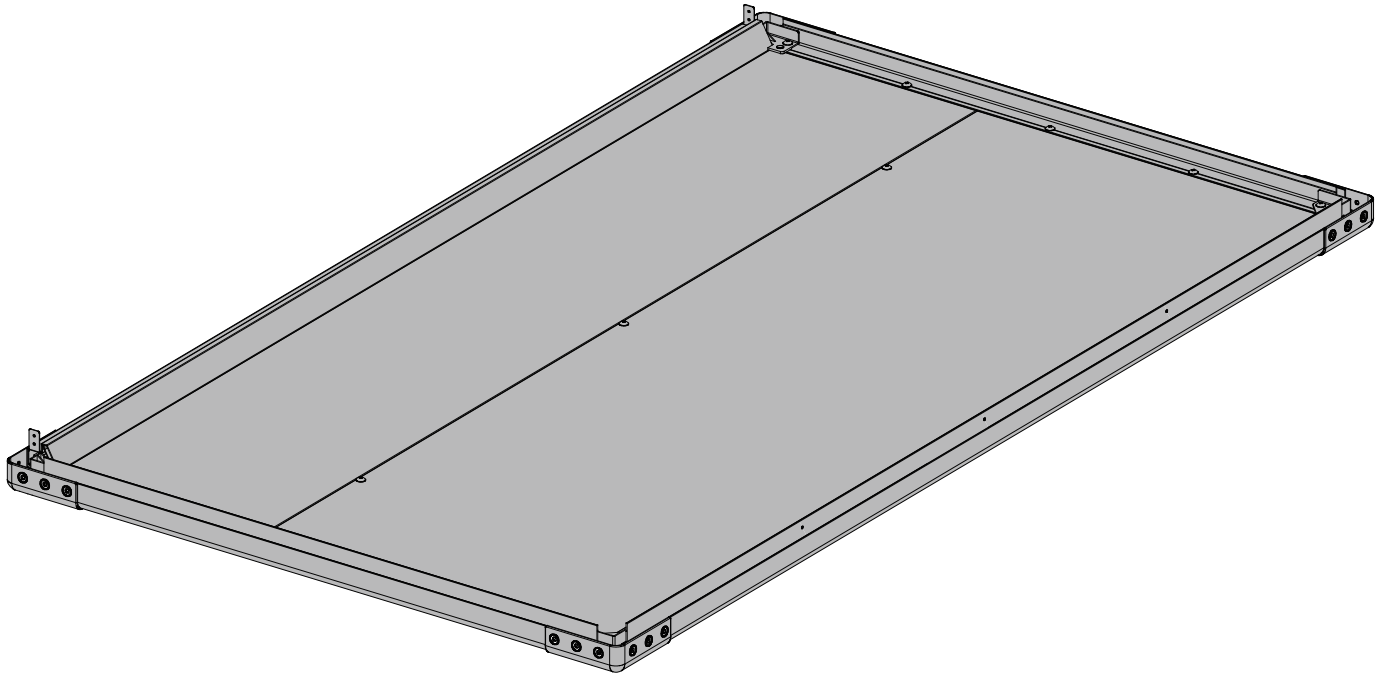


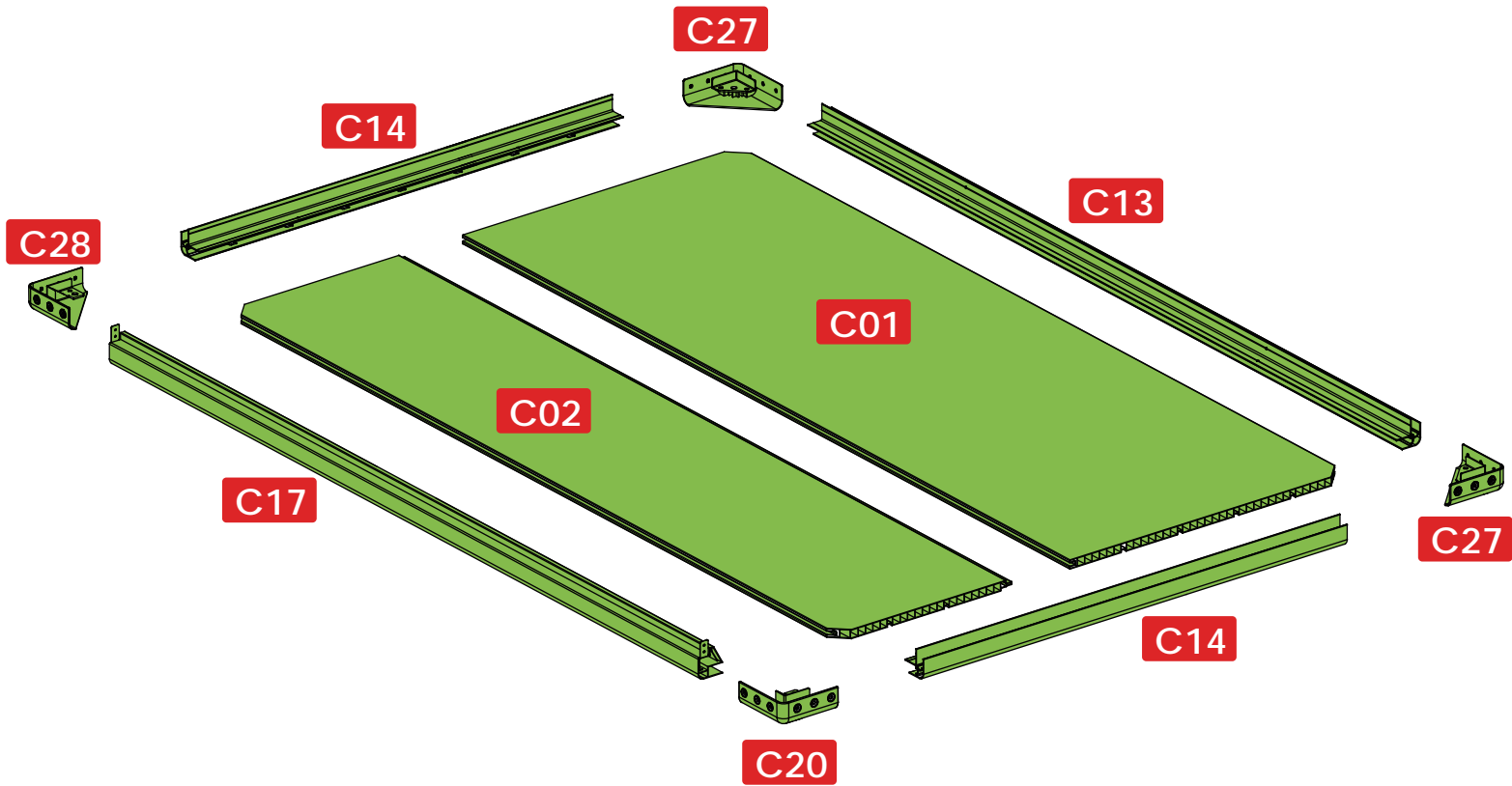
D02 X 2



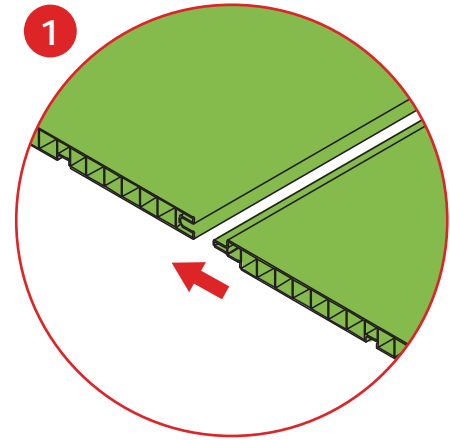
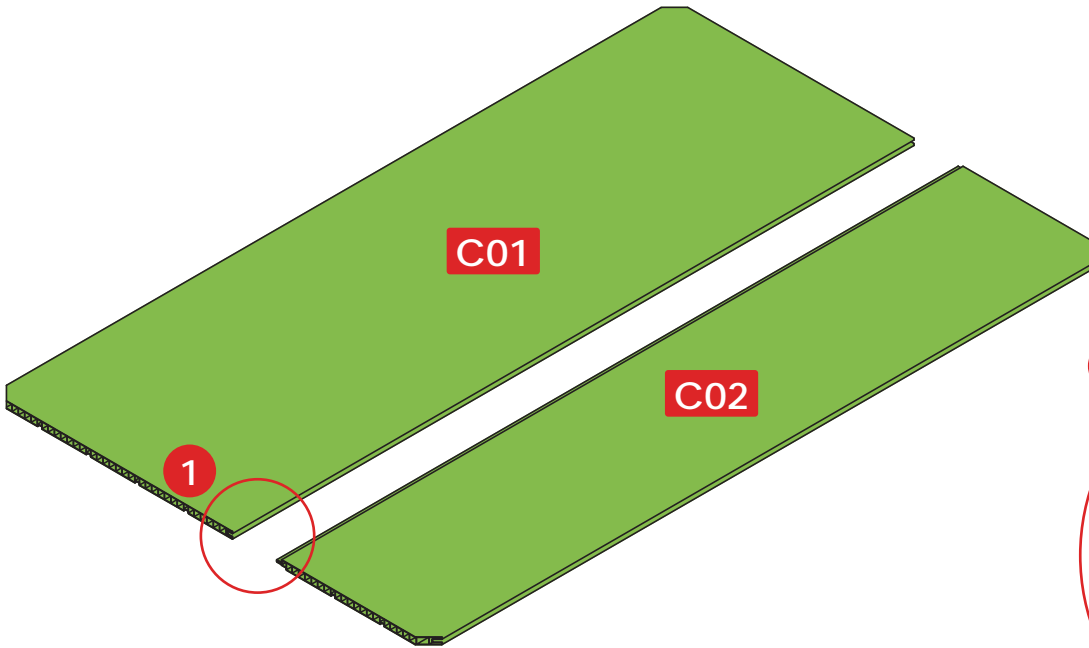
Note that there is a difference between the serial number displayed on the instruction manual and the physical label sticker, for example, the physical label sticker C35-C01 corresponds to the serial number C01 on the instruction manual.

Part 3: Foundation installation

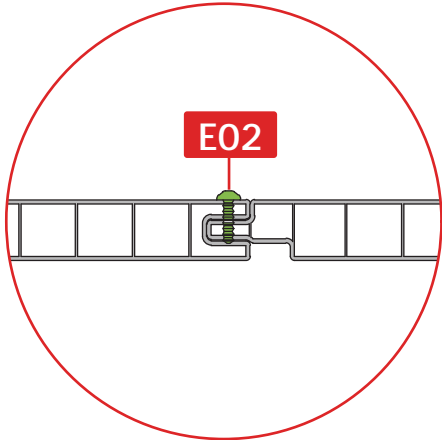
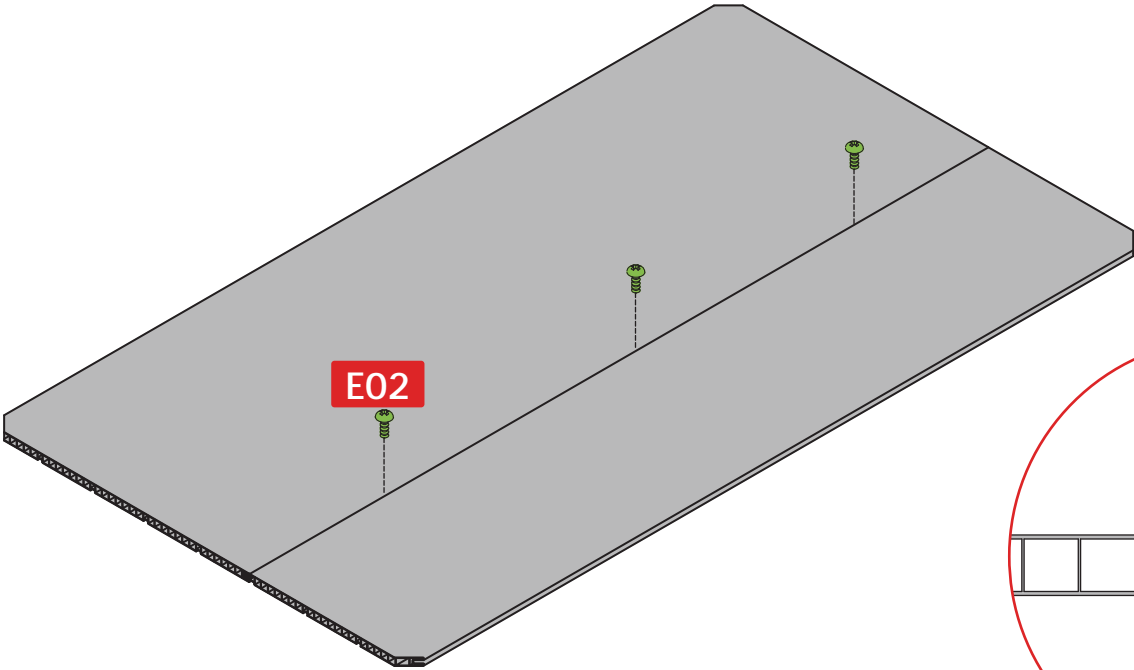




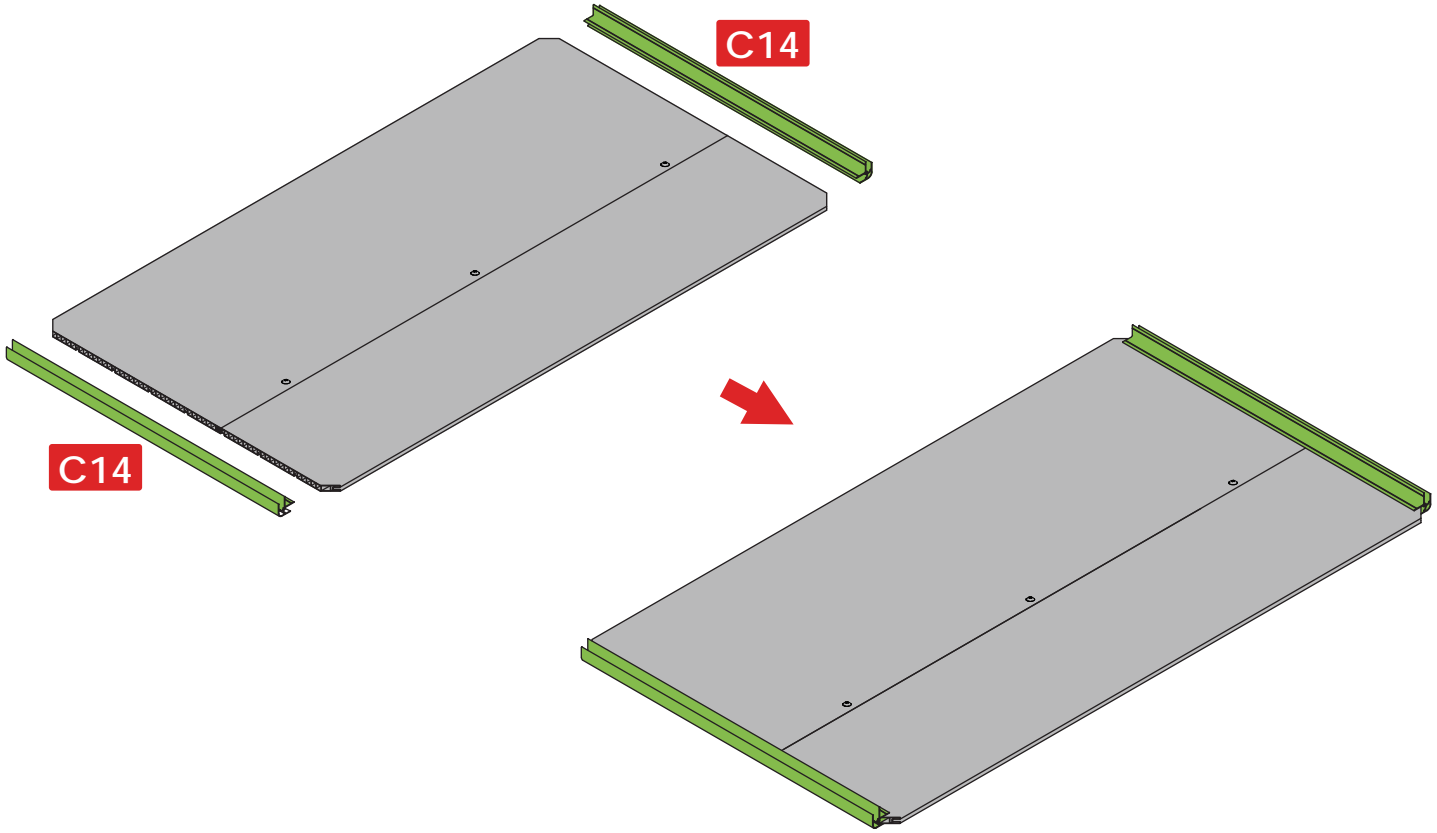
1



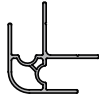
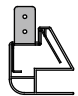
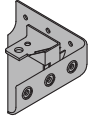

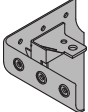
2

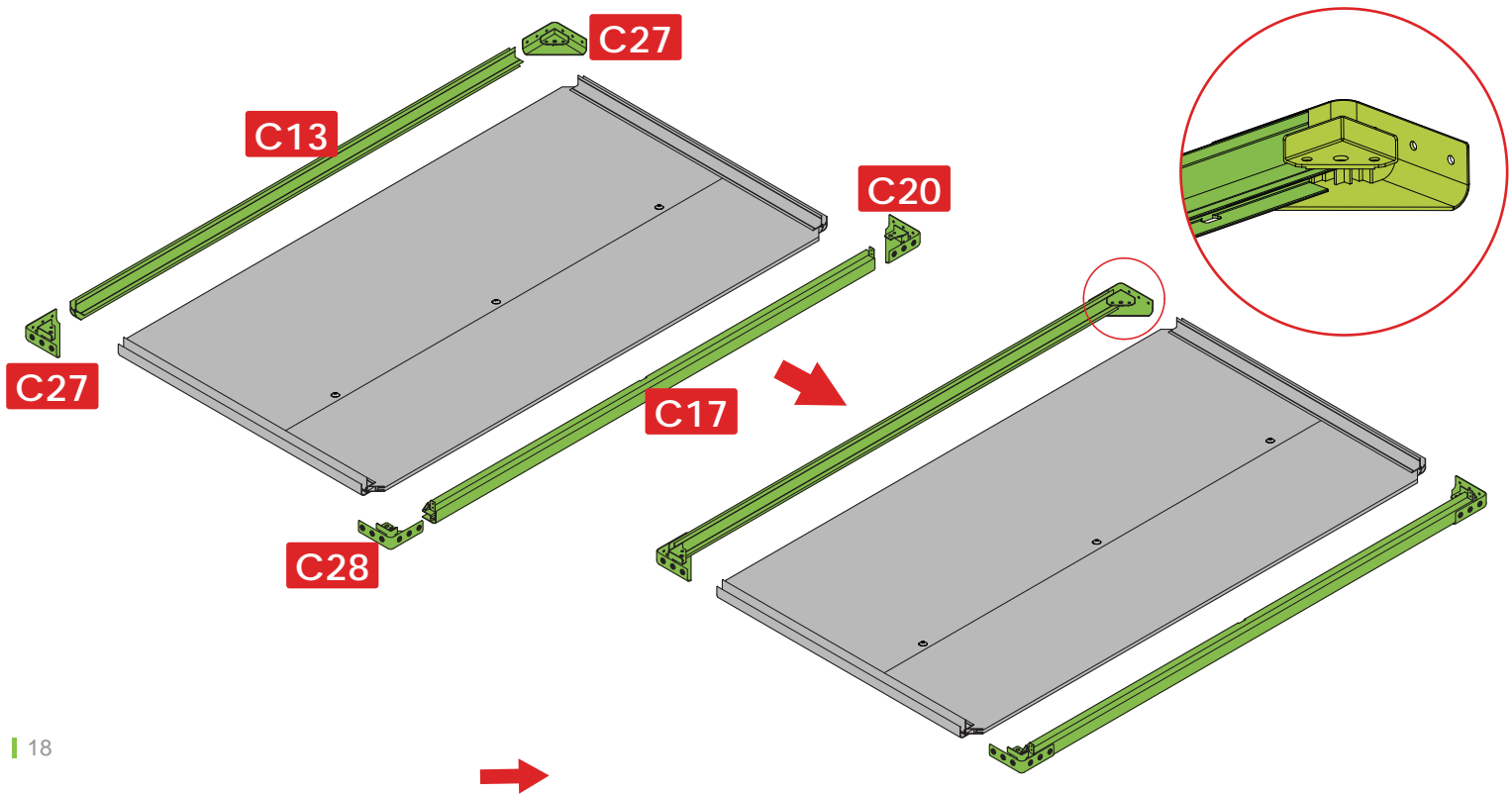


3

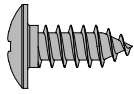


4

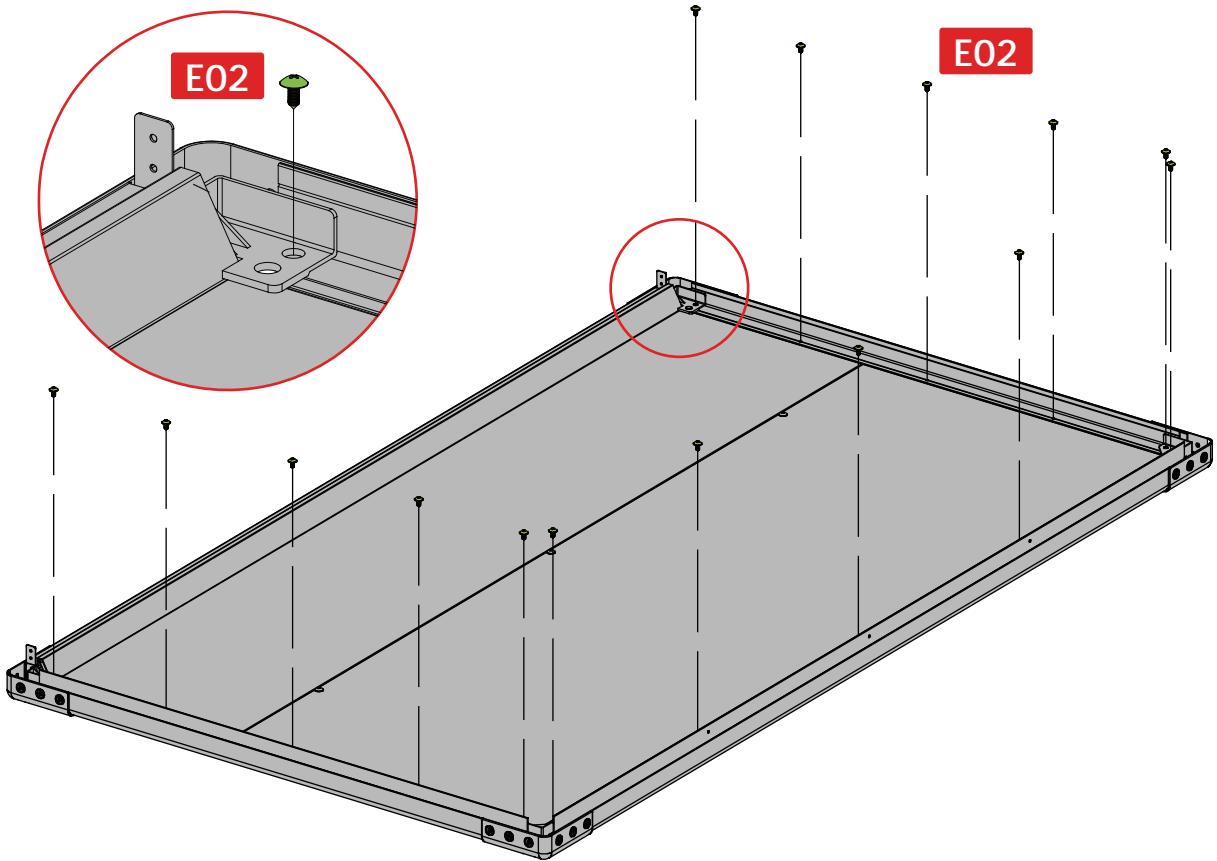
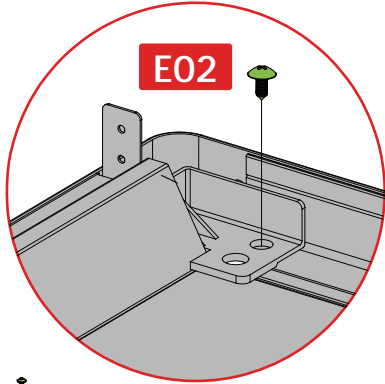
	C13 X 1		C17 X 1		C20 X 1
	C27 X 2		C28 X 1		



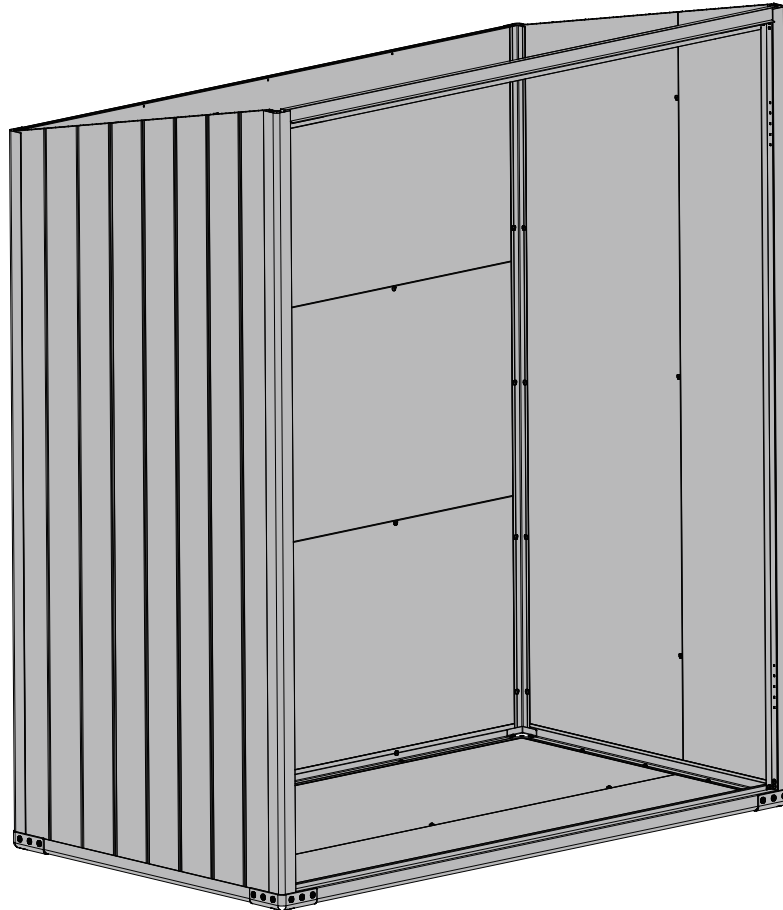
5

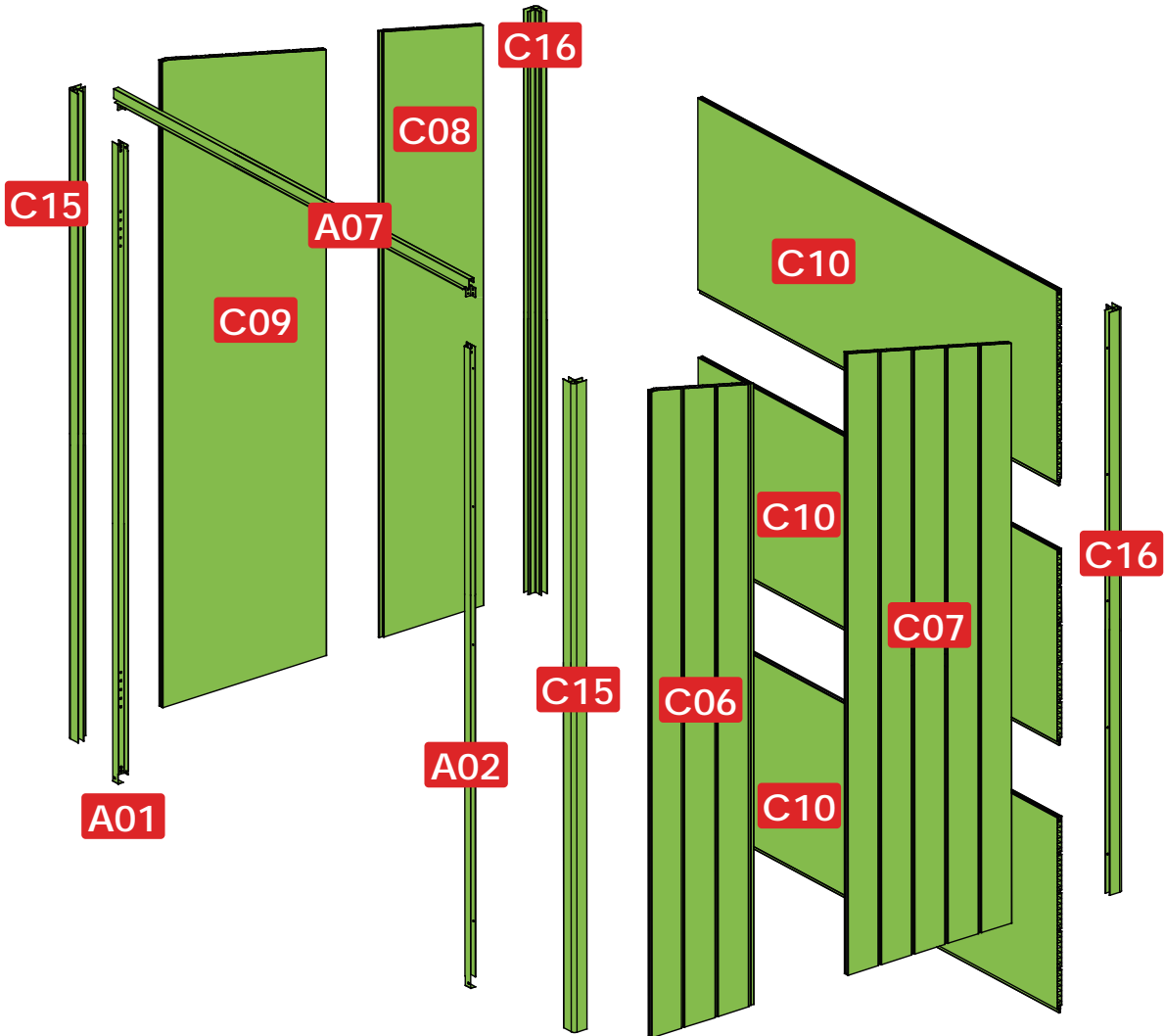


E02 X 15

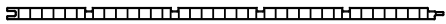


Part 4: Cabinet installation

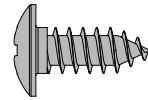




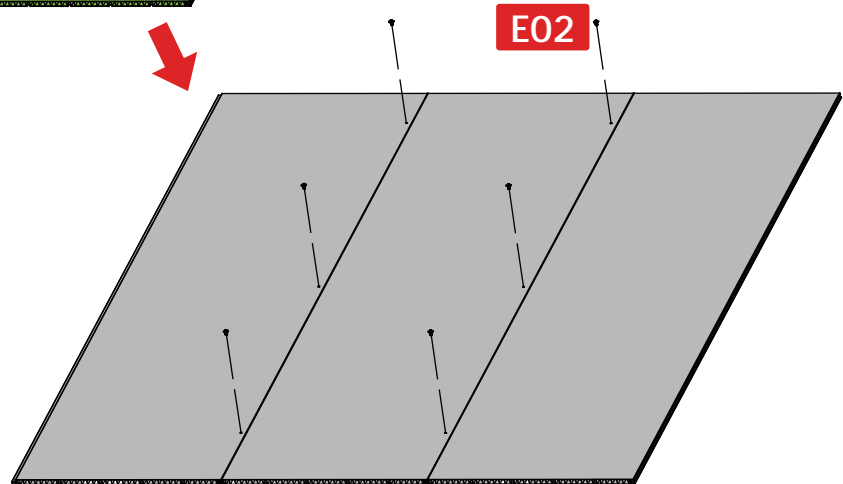
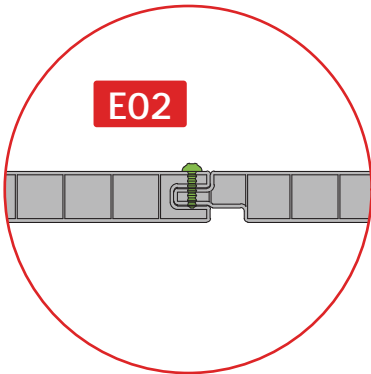
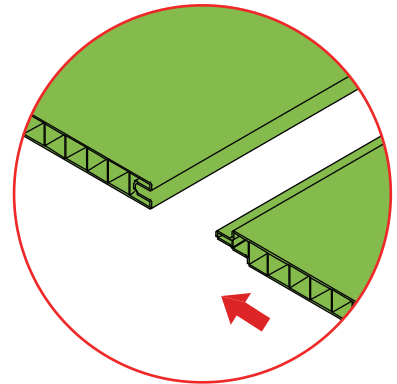
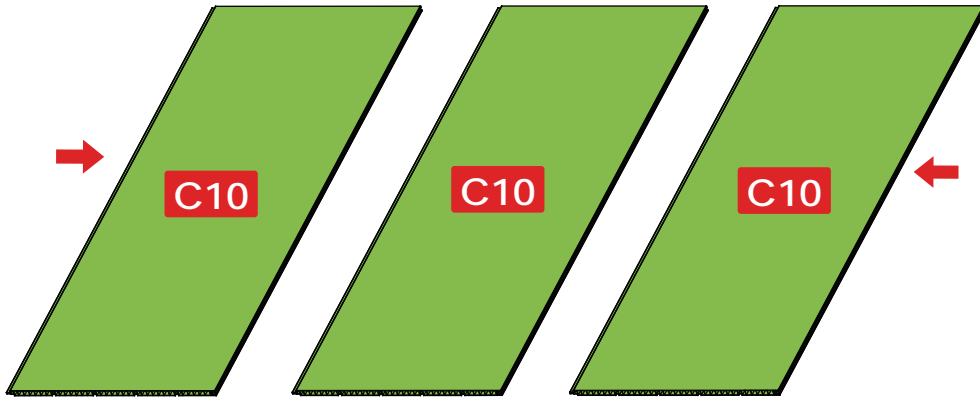
6



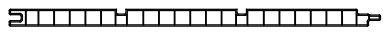
C10 X 3



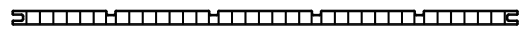
E02 X 6



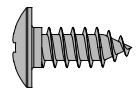
7



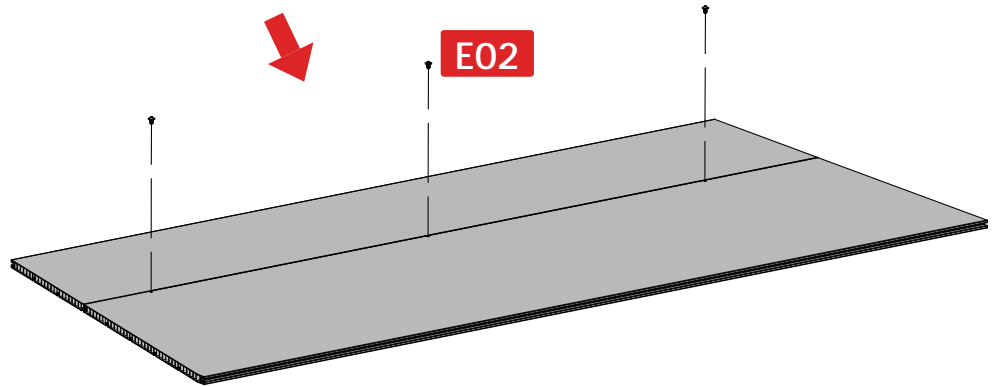
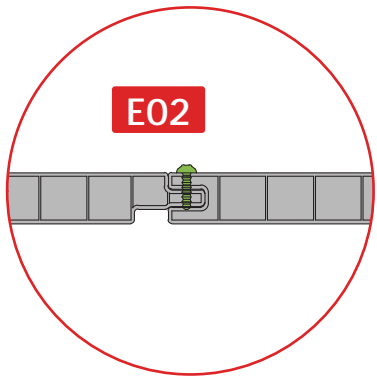
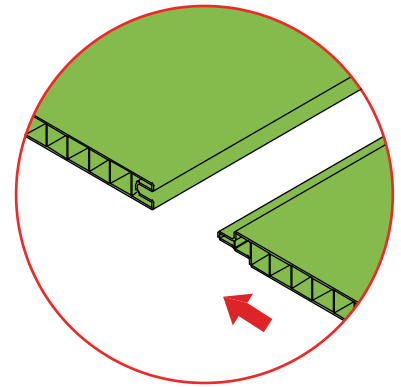
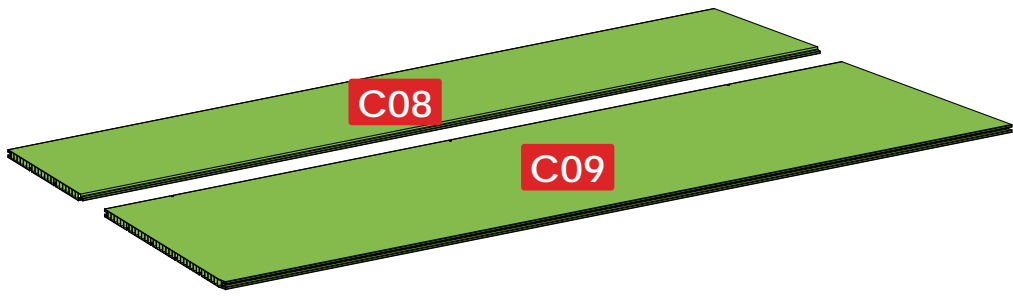
C08 X 1



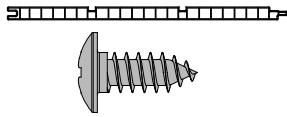
C09 X 1



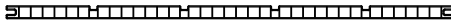
E02 X 3



8

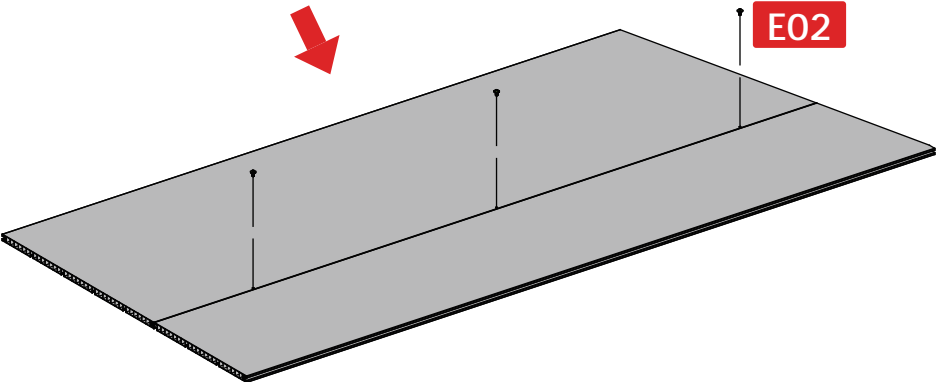
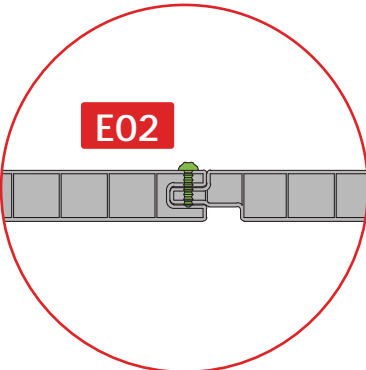
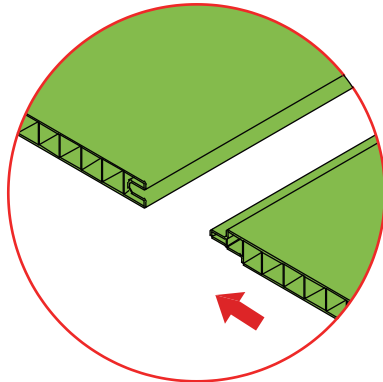
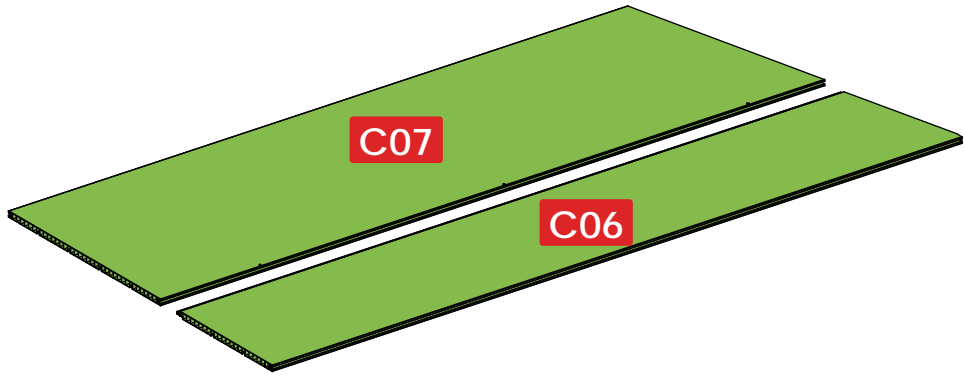


C06 X 1

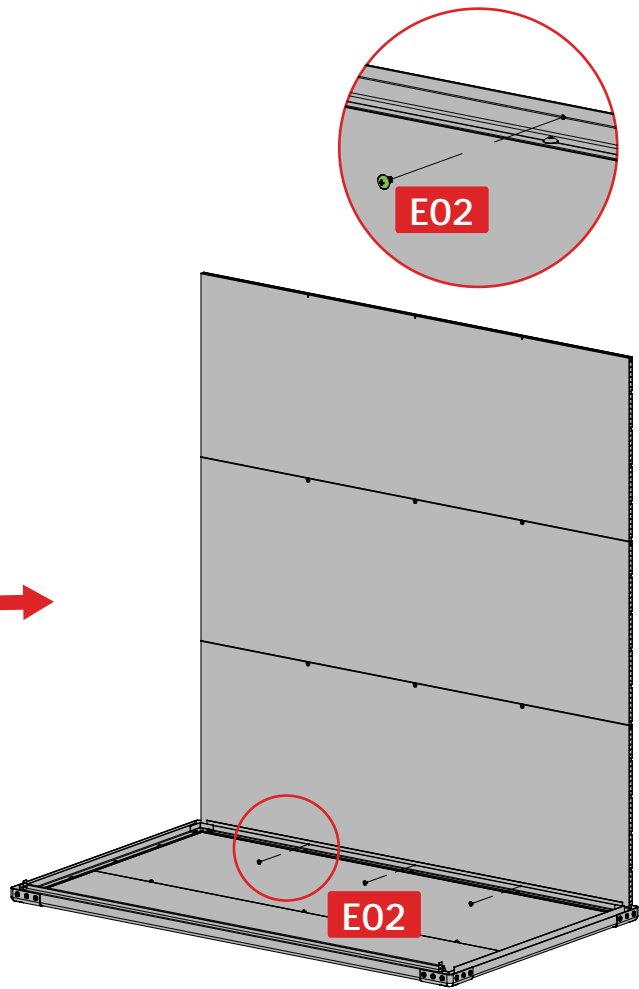
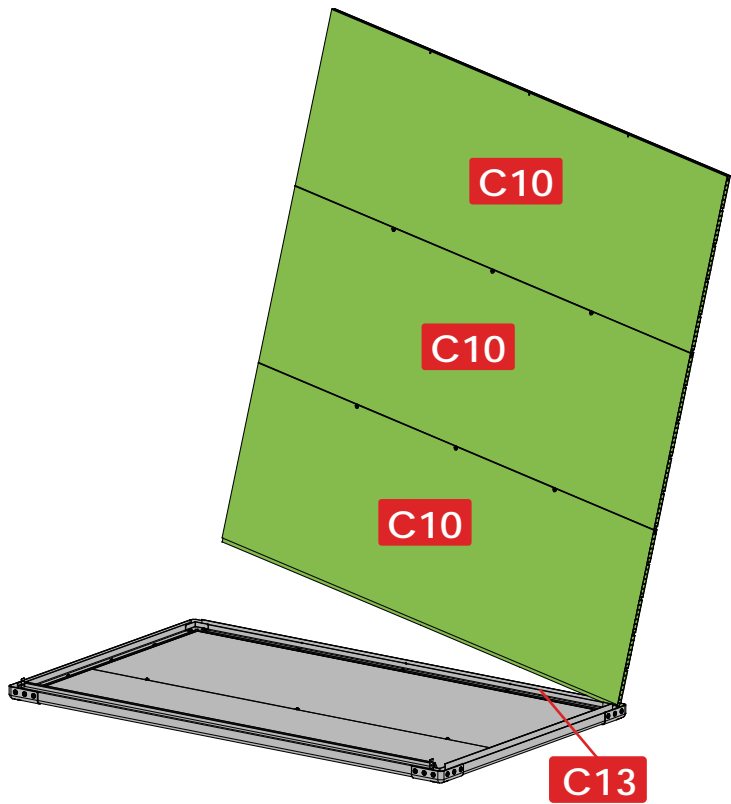
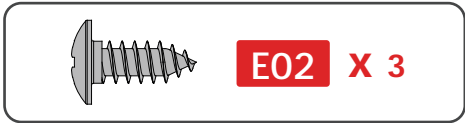


C07 X 1

E02 X 3



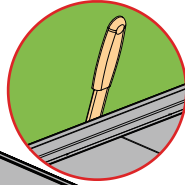
9



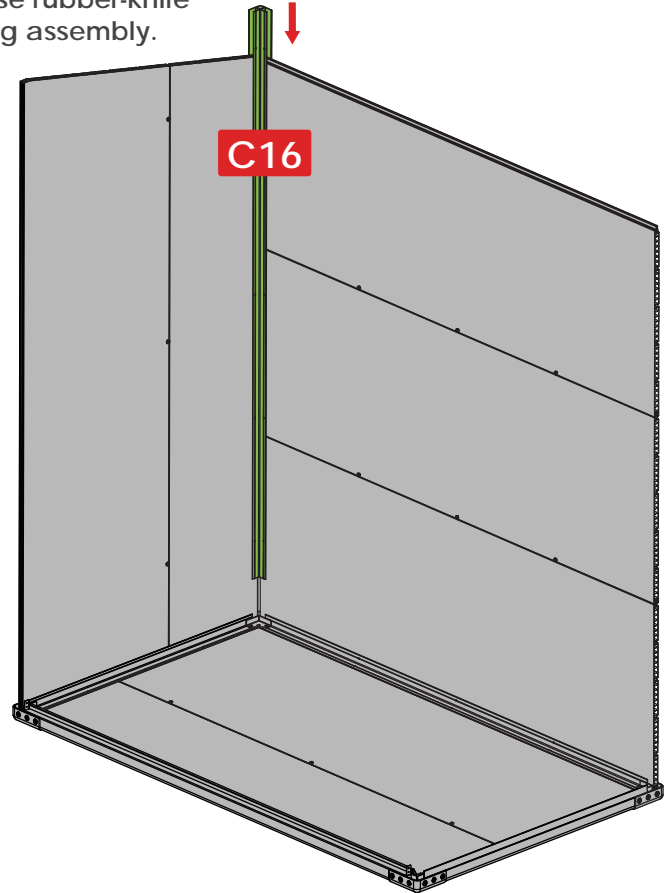
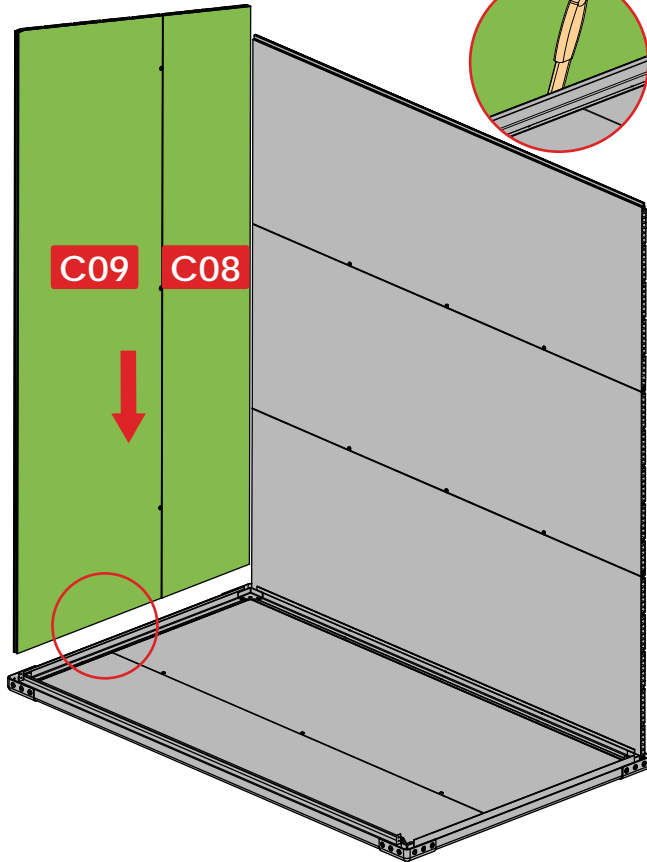
10



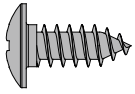
C16 X 1



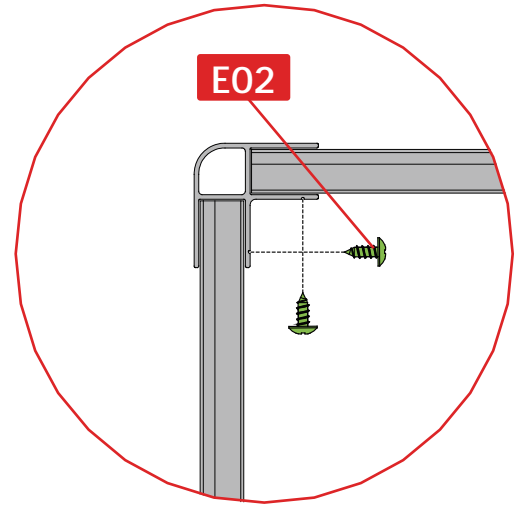
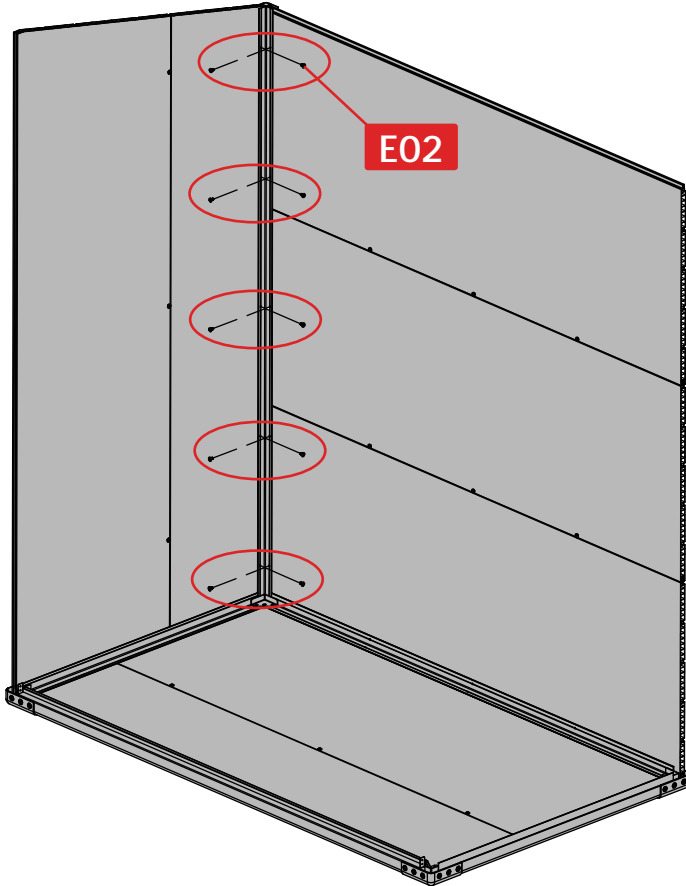
Please use rubber-knife to helping assembly.



11



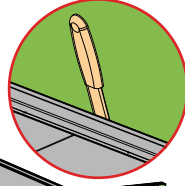
E02 X 10



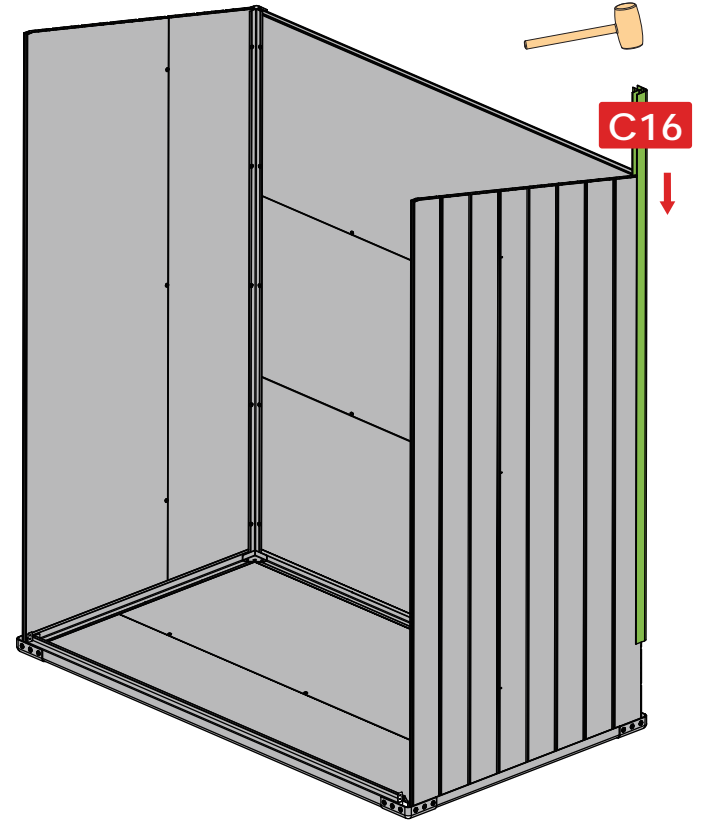
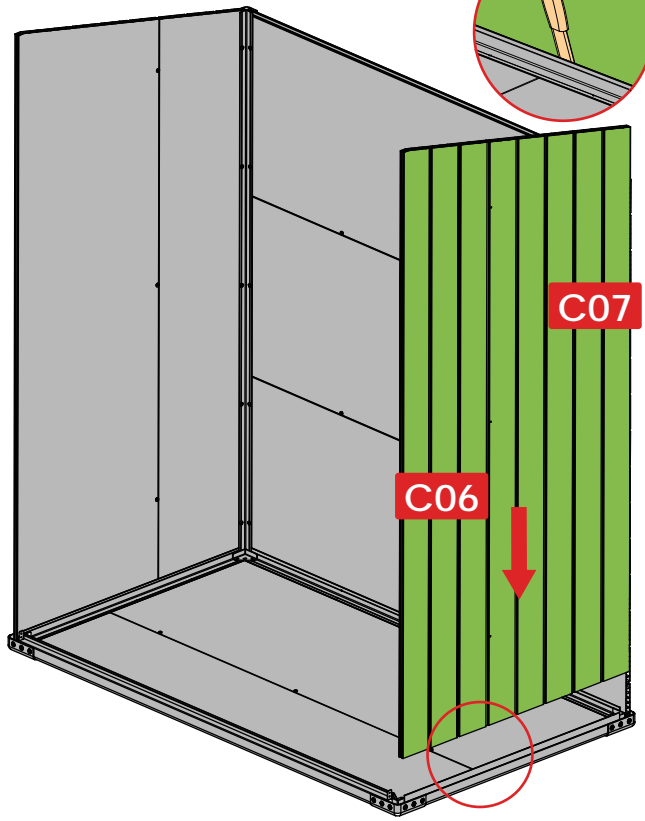
12



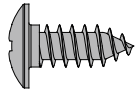
C16 X 1



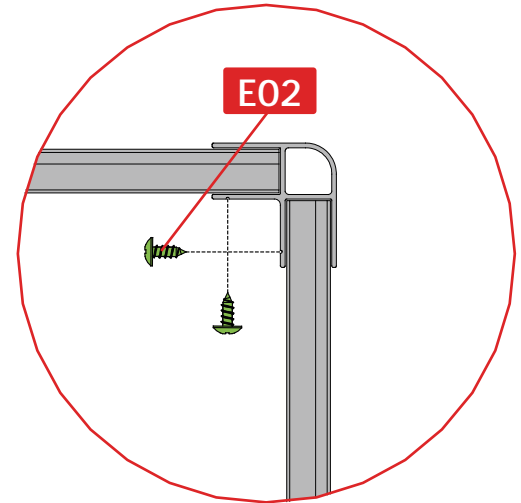
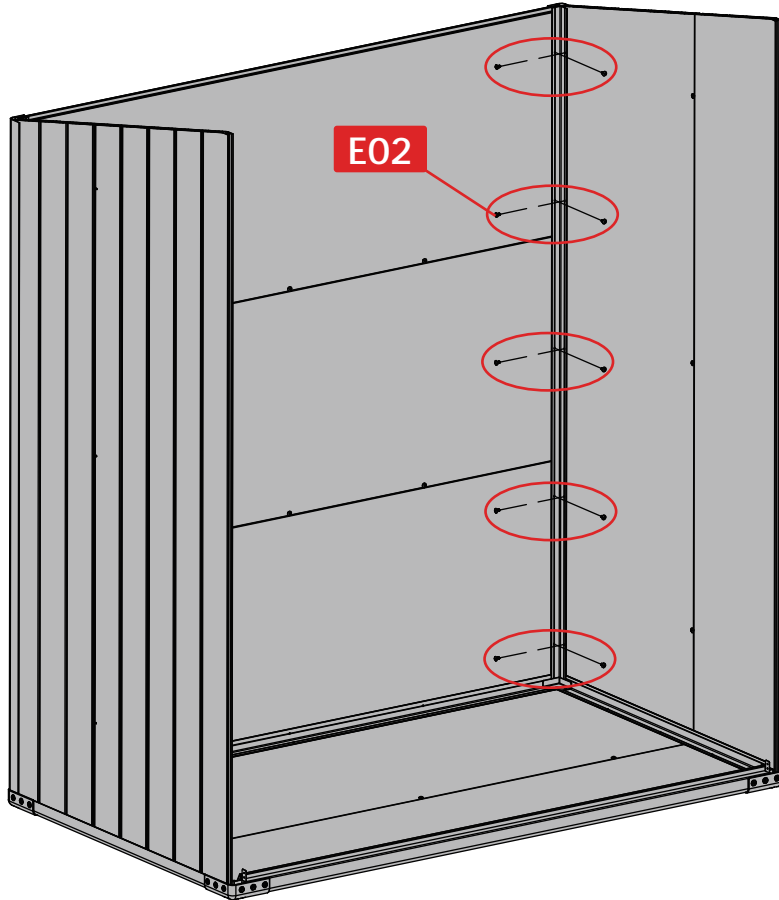
Please use rubber-knife to helping assembly.



13



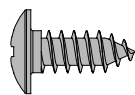
E02 X 10



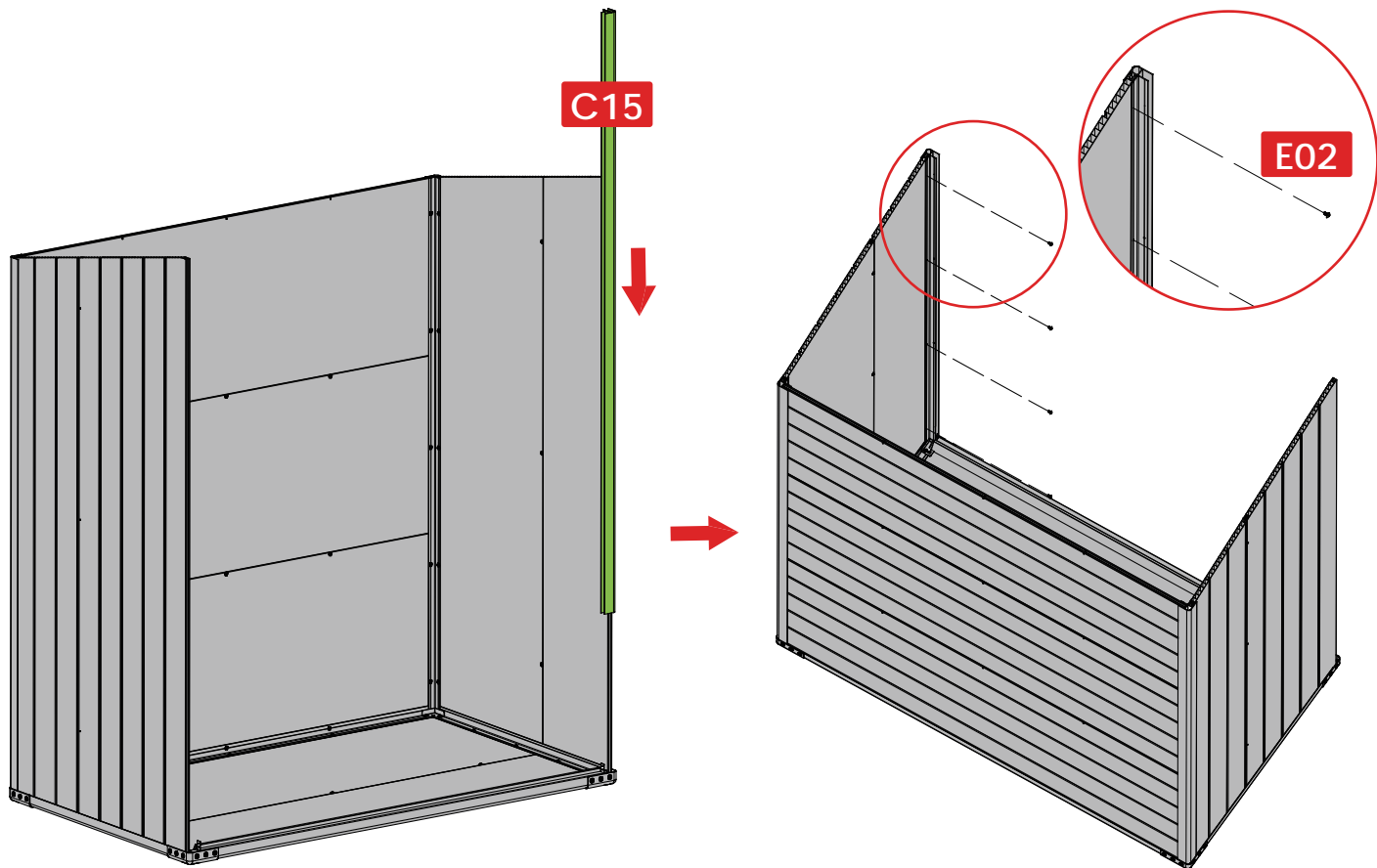
14



C15 X 1



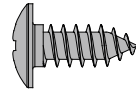
E02 X 4



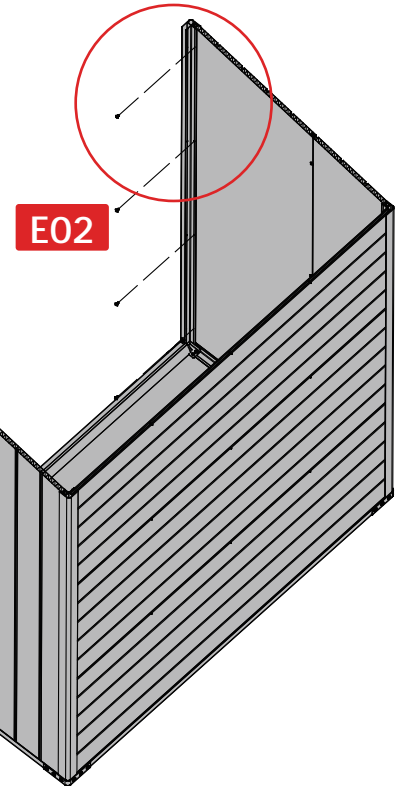
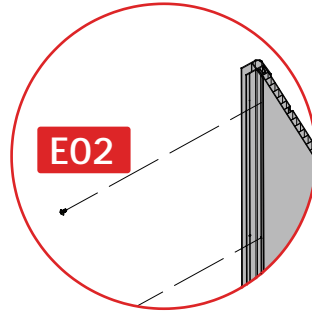
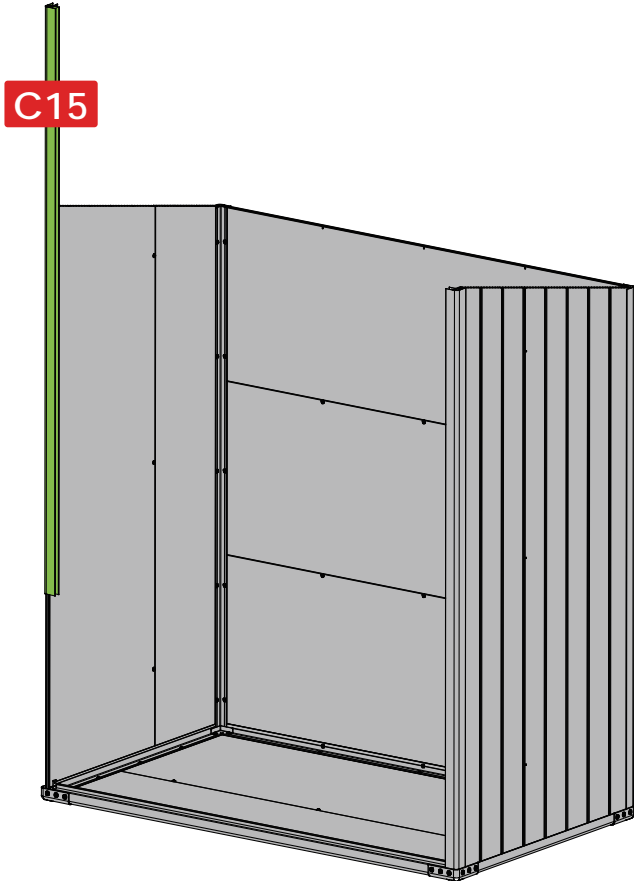
15



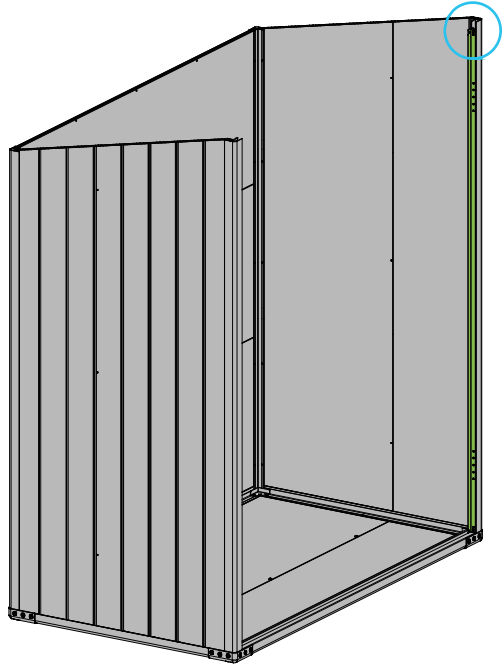
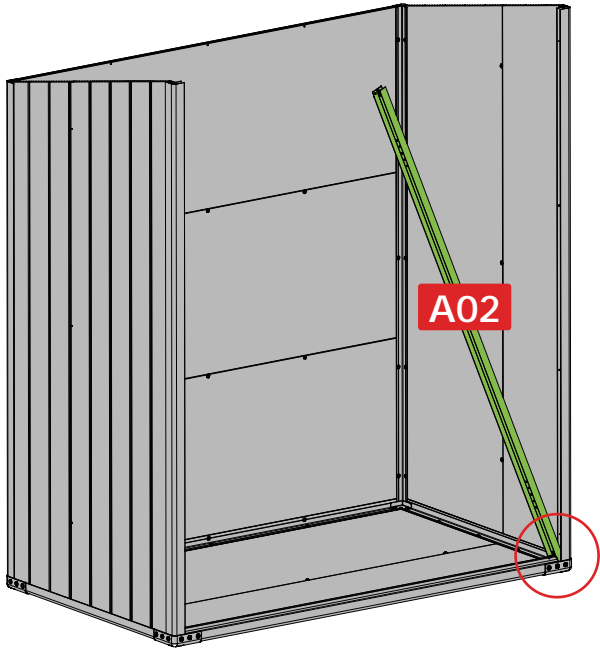
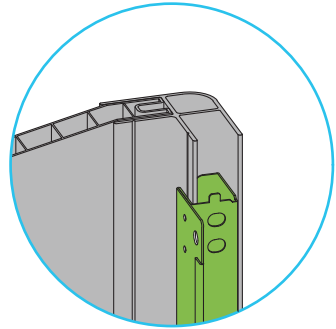
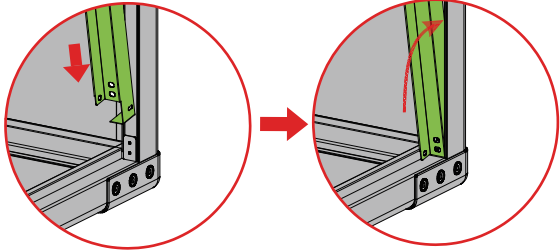
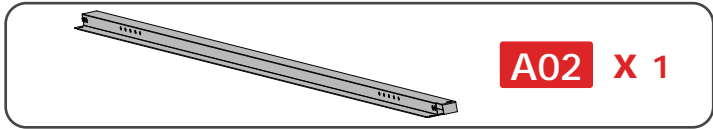
C15 X 1



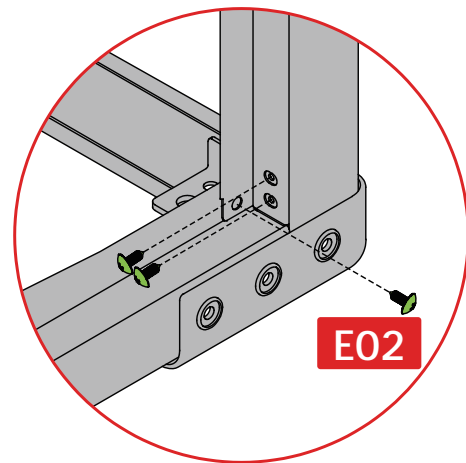
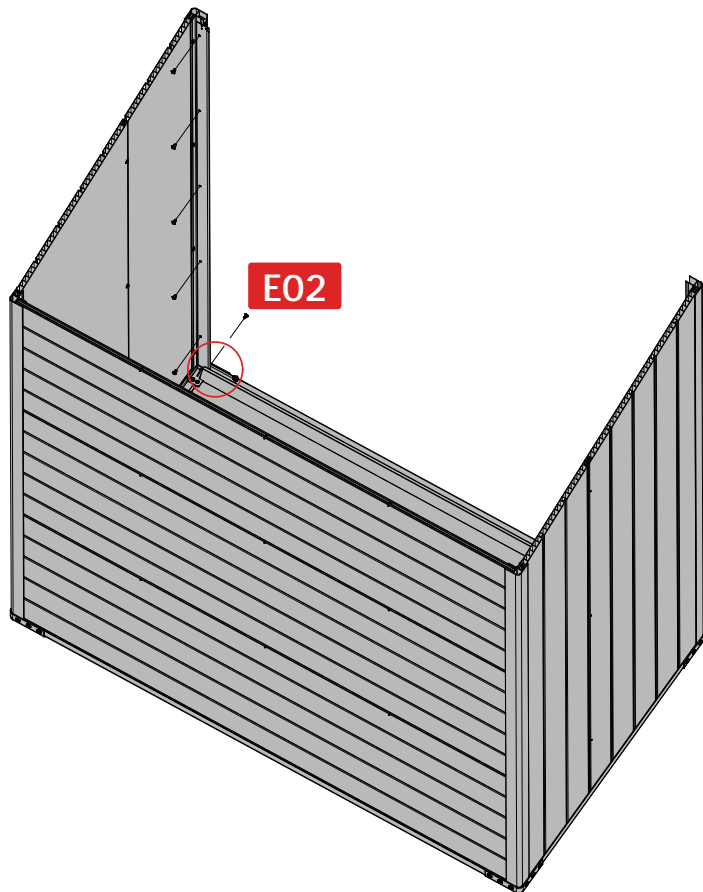
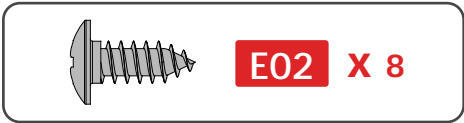
E02 X 4



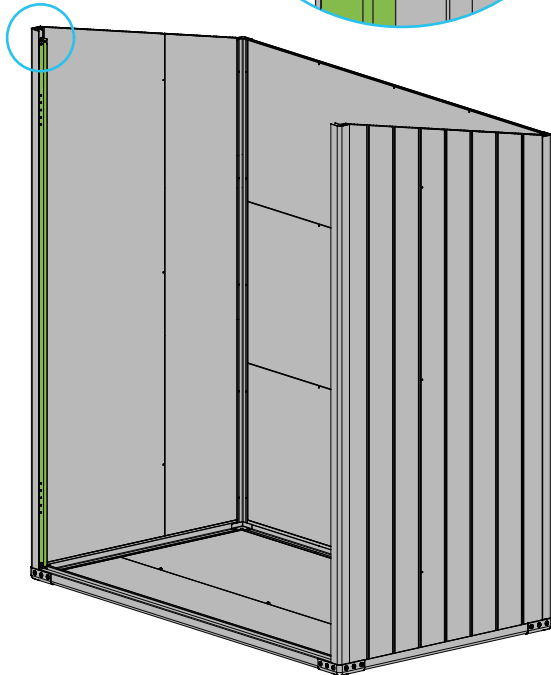
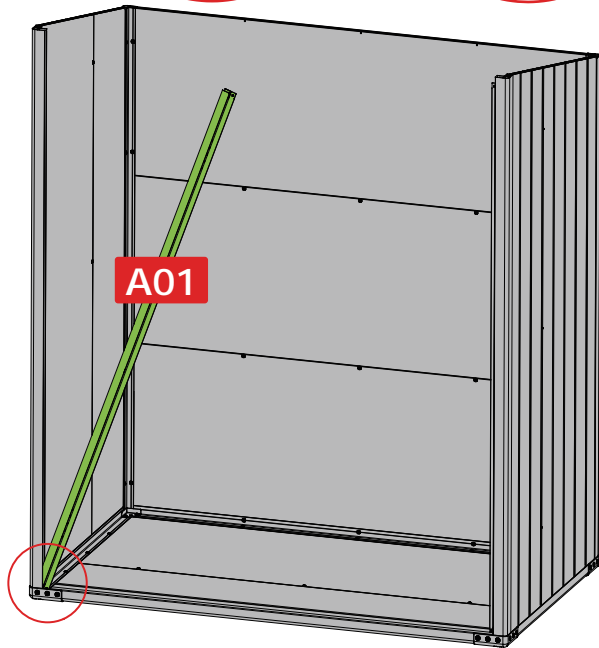
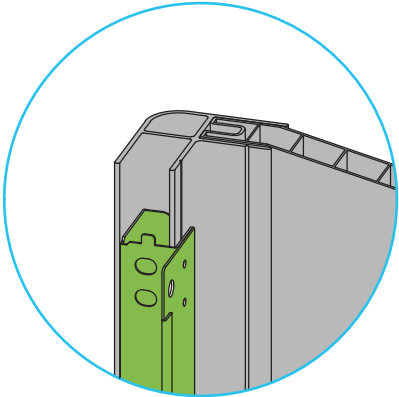
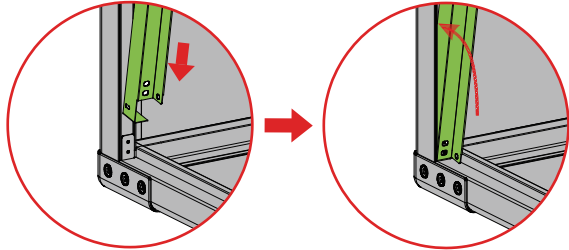
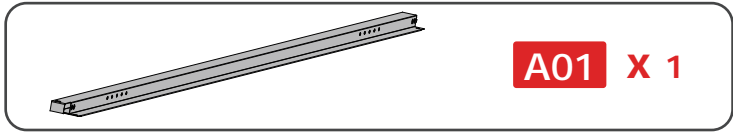
16



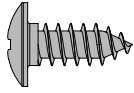
17



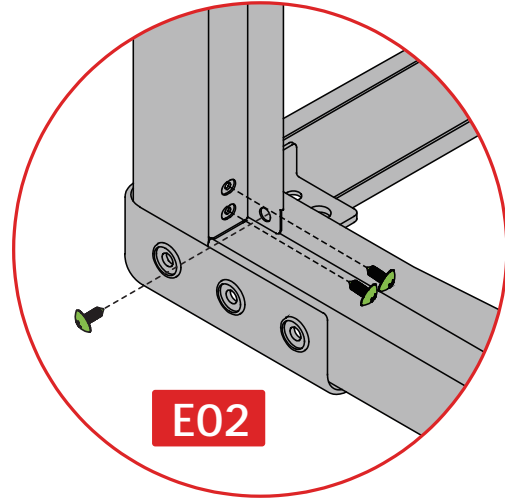
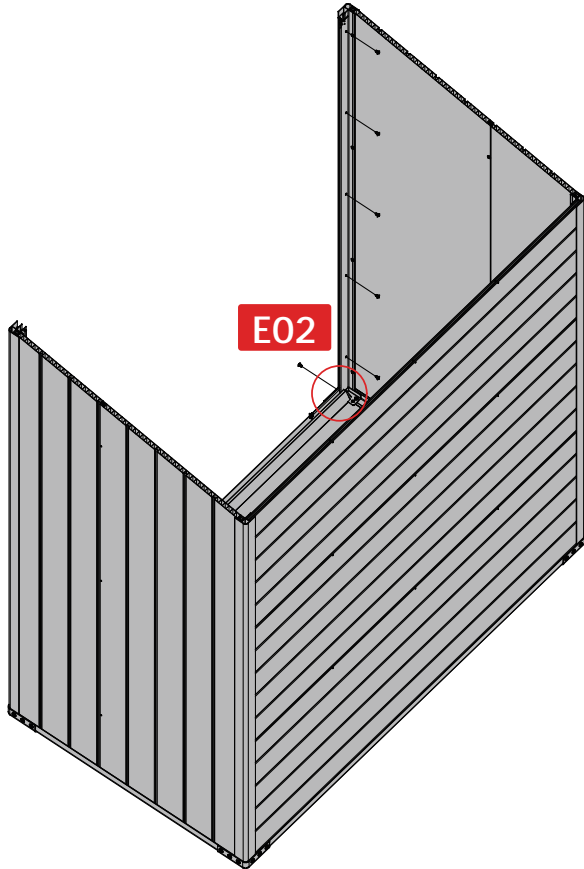
18



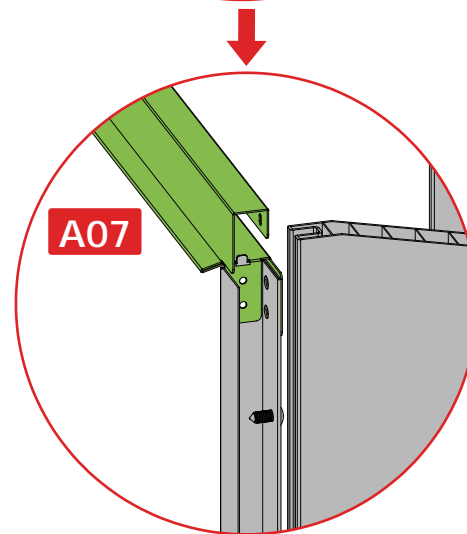
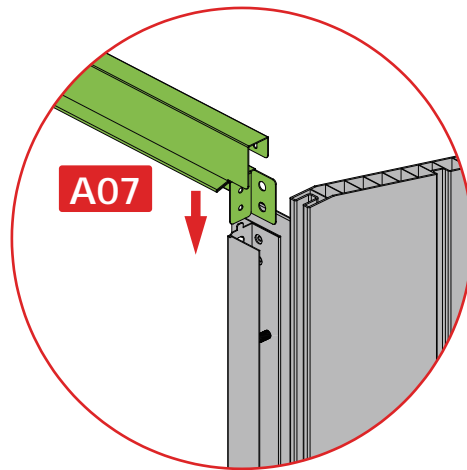
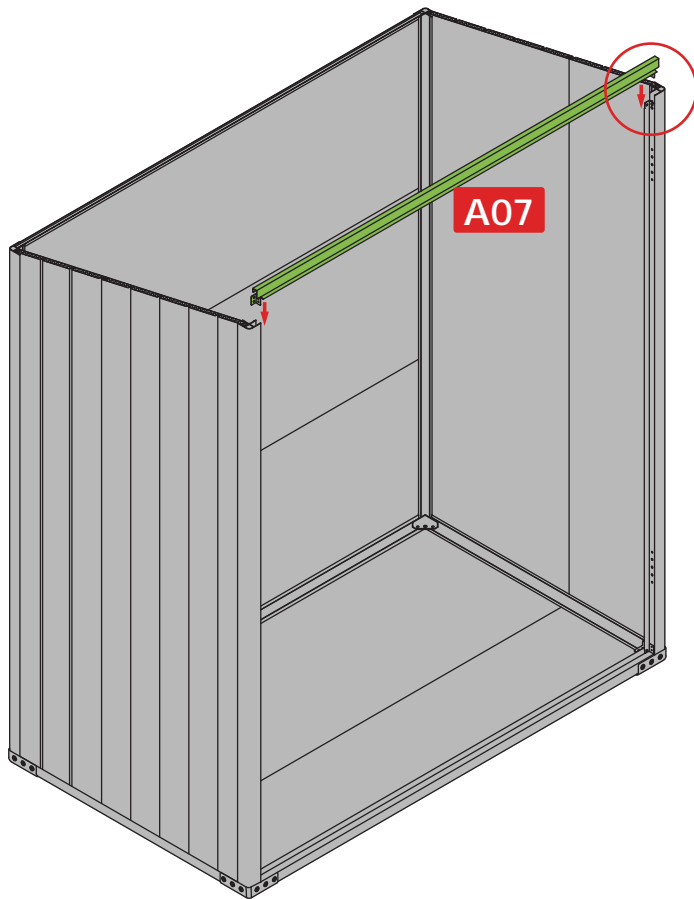
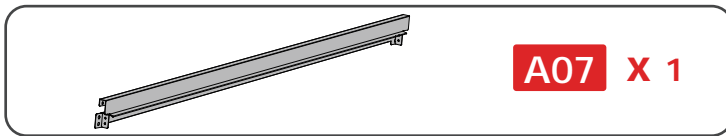
19



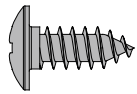
E02 X 8



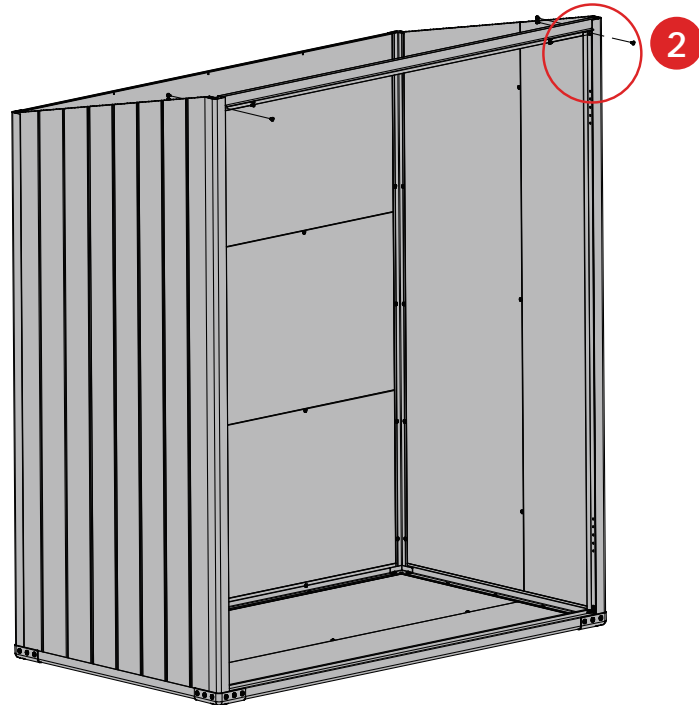
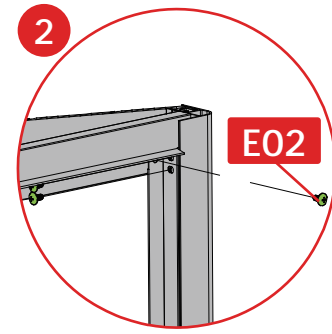
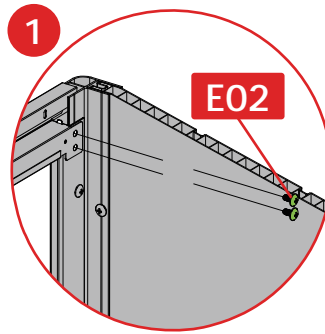
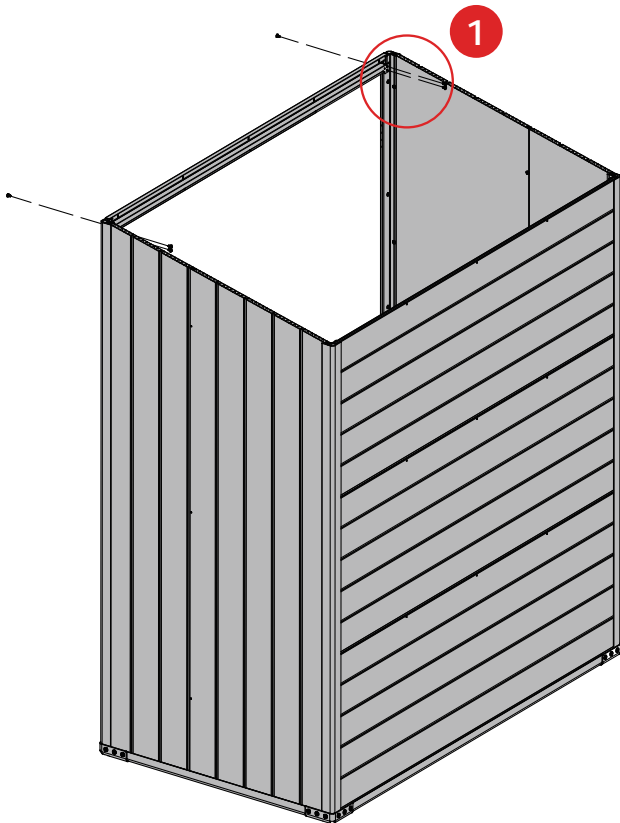
20



21

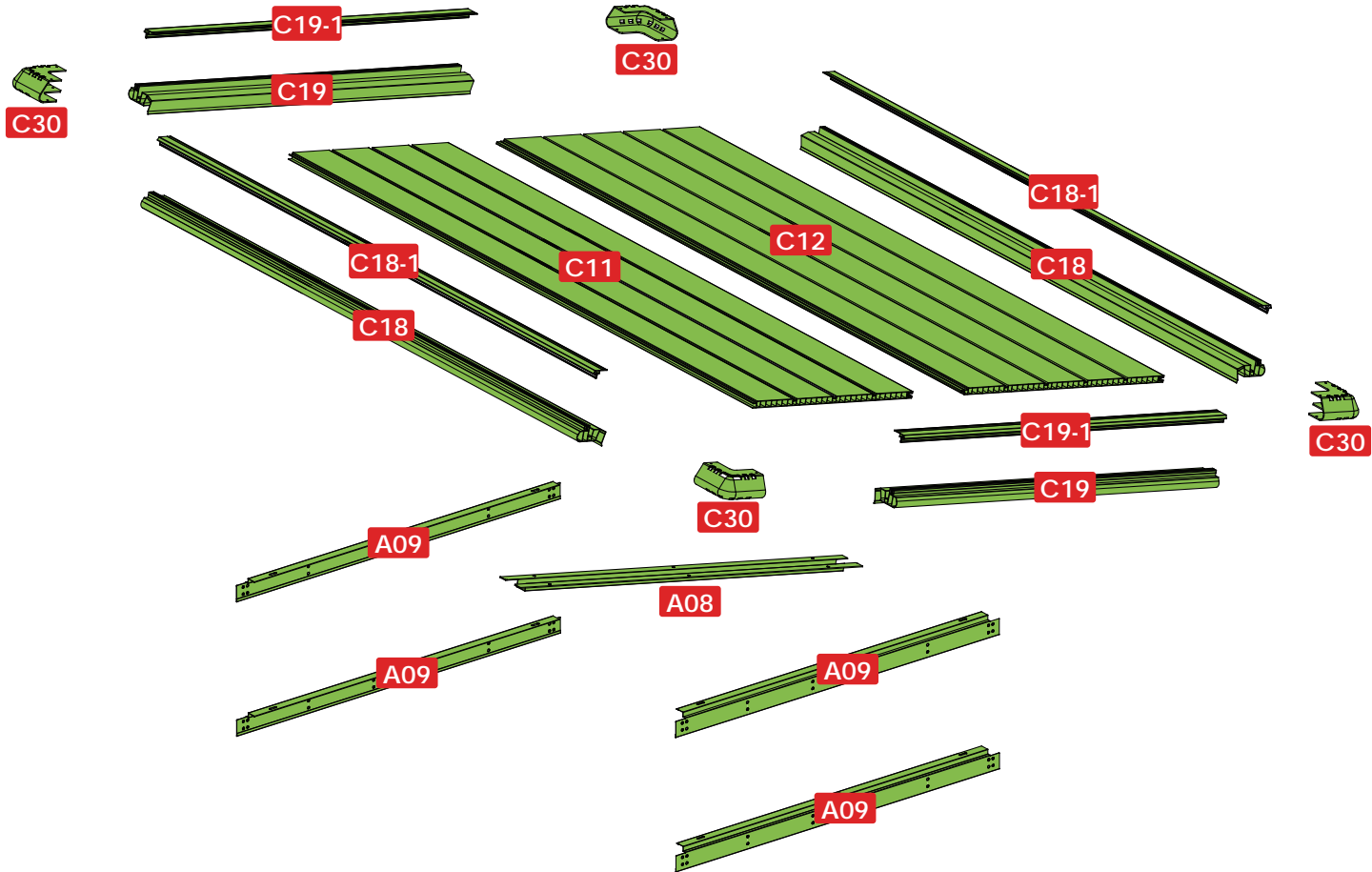


E02 X 10

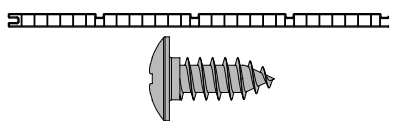


Part 5: Roof installation and internal lining



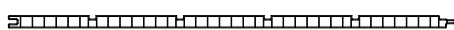


22

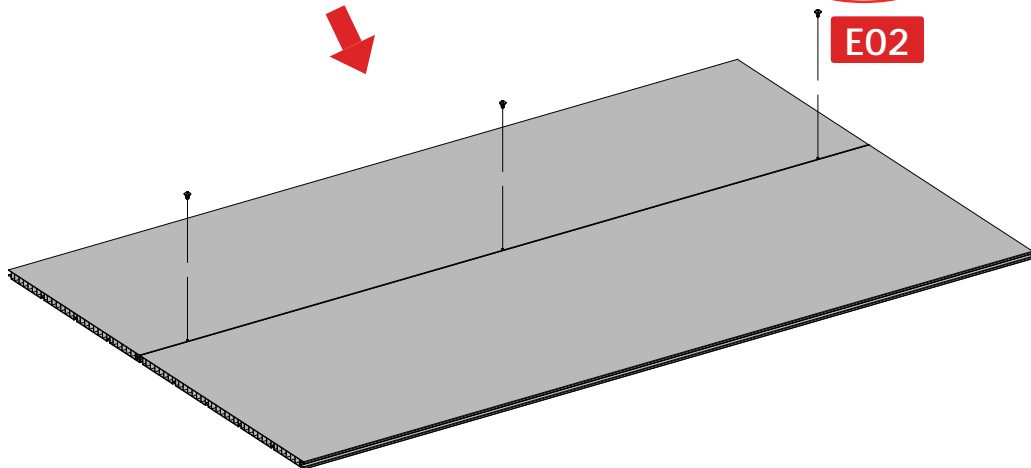
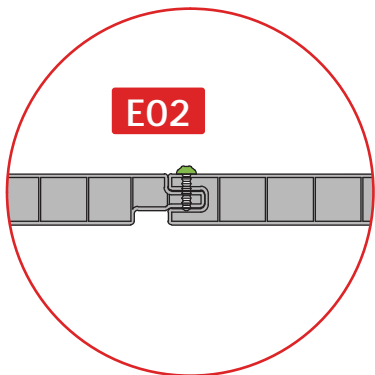
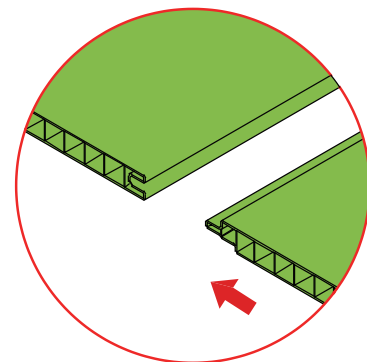
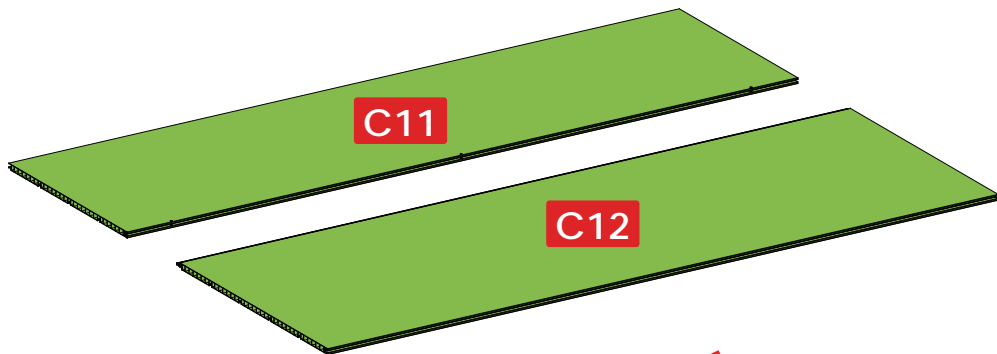


C11 X 1

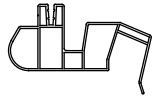
E02 X 3



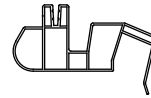
C12 X 1



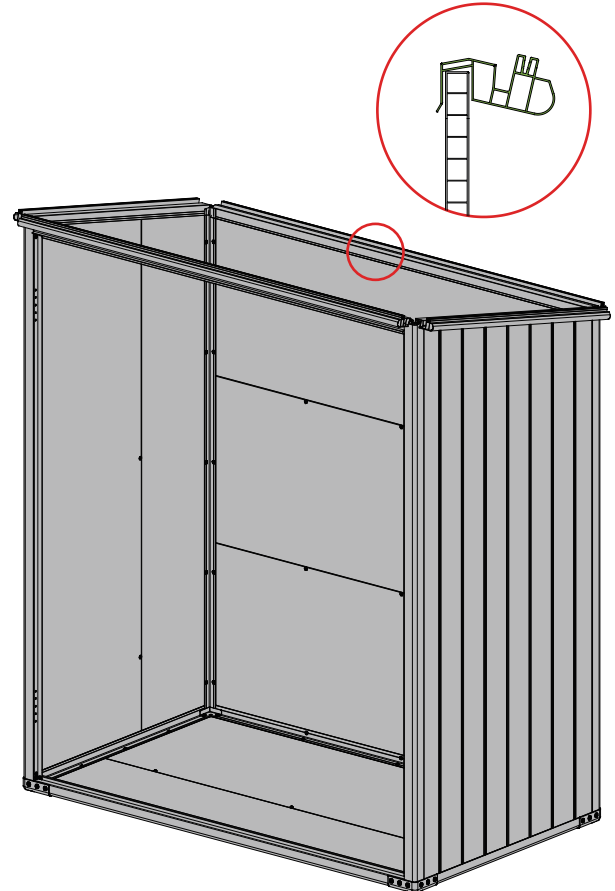
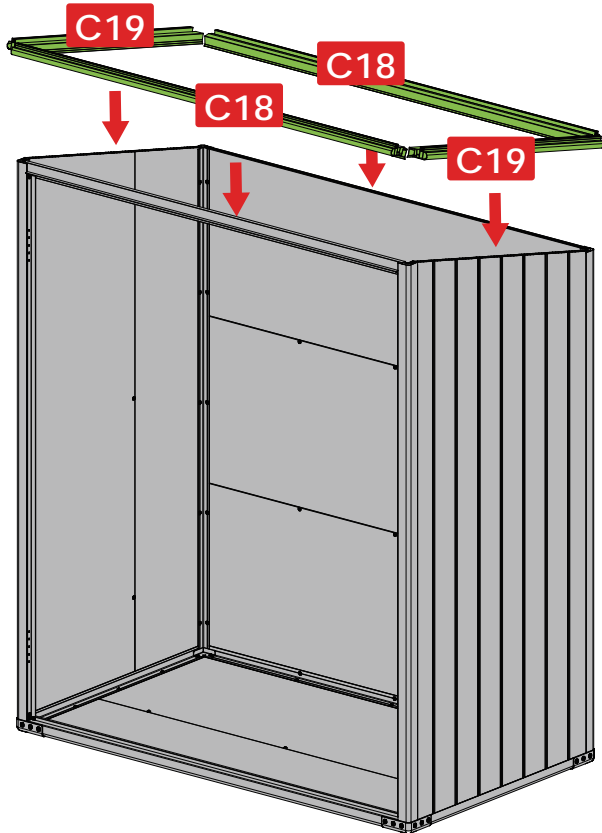
23

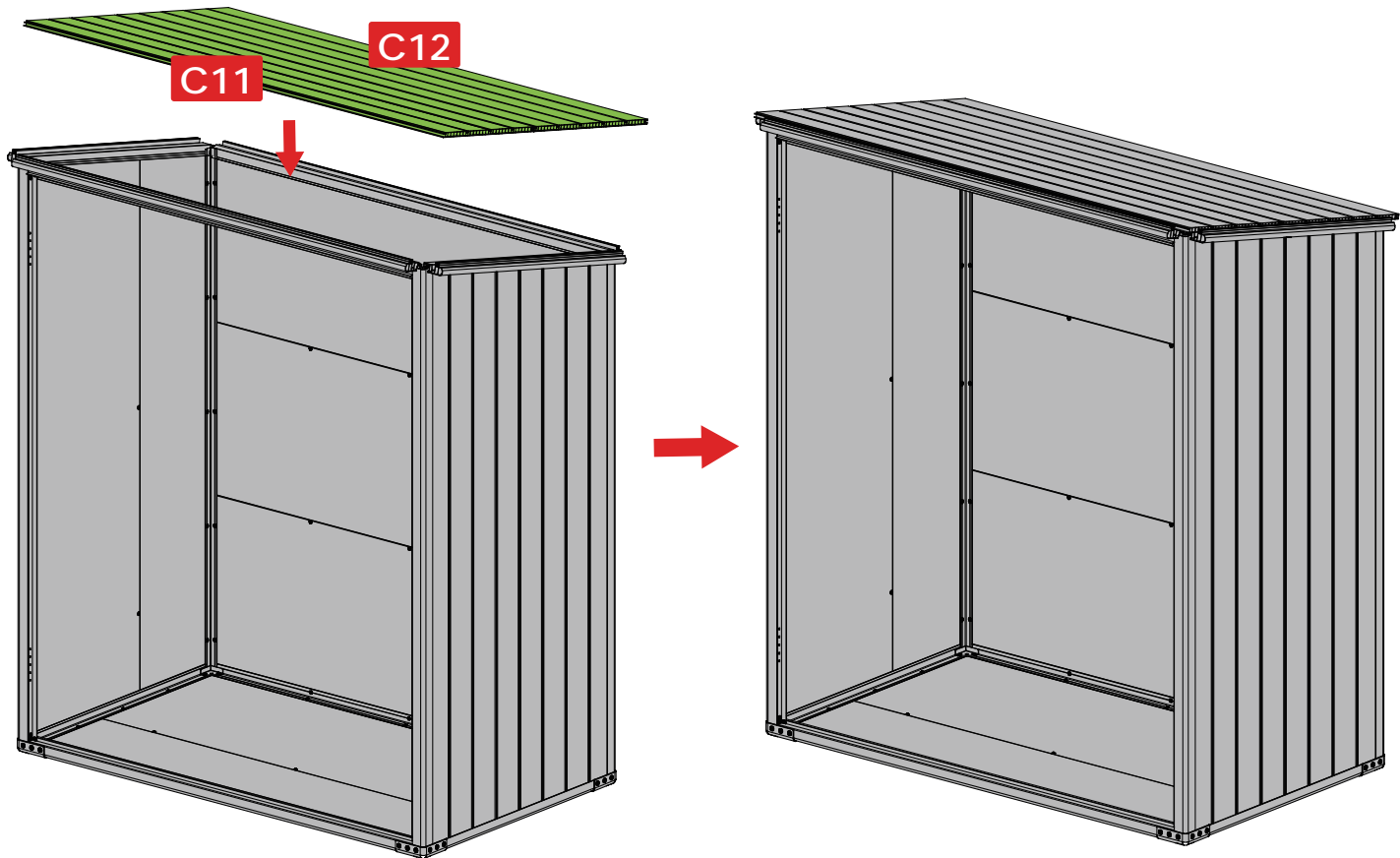


C18 X 2

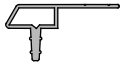


C19 X 2





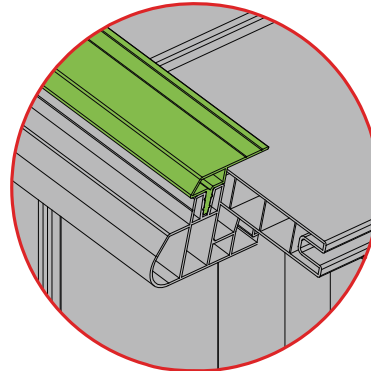
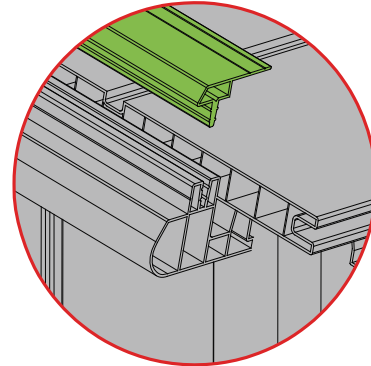
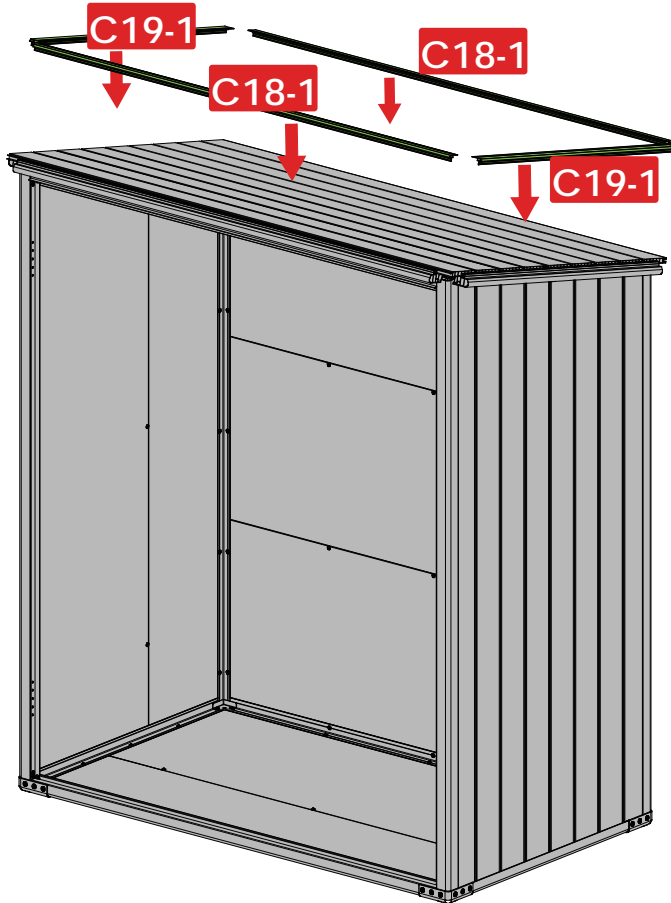
25



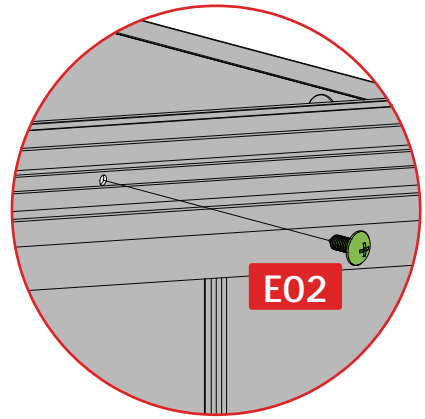
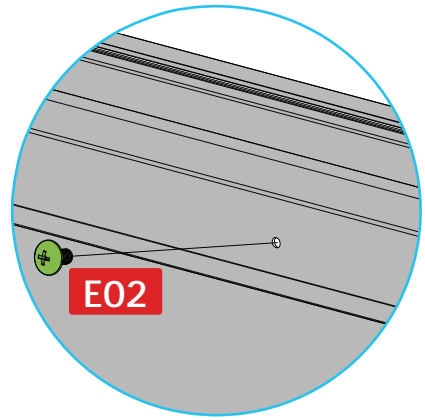
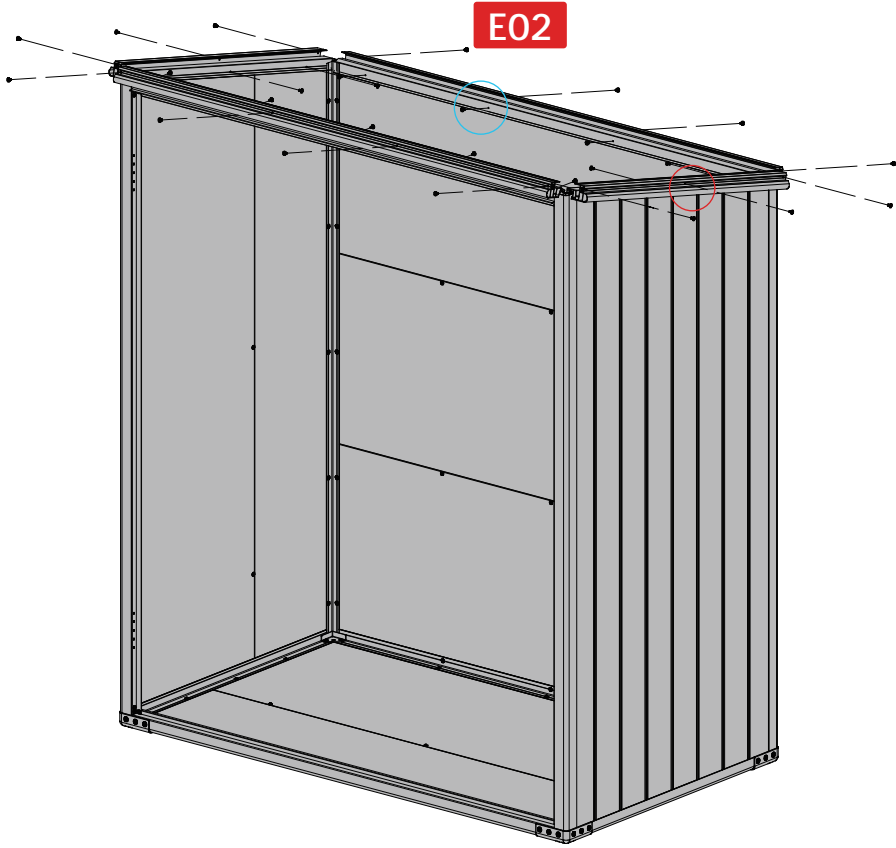
C18-1 X 2



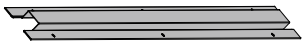
C19-1 X 2



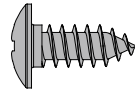
26



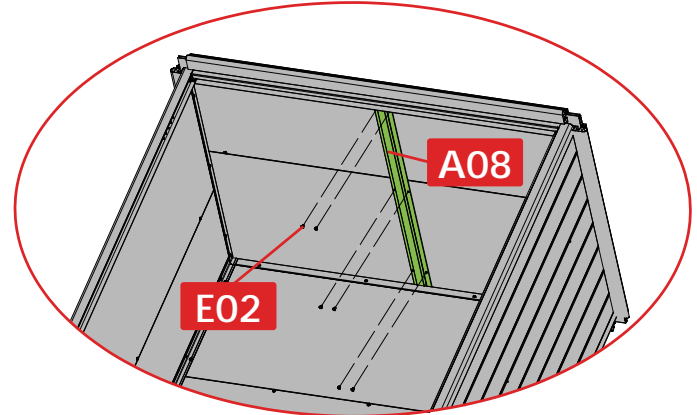
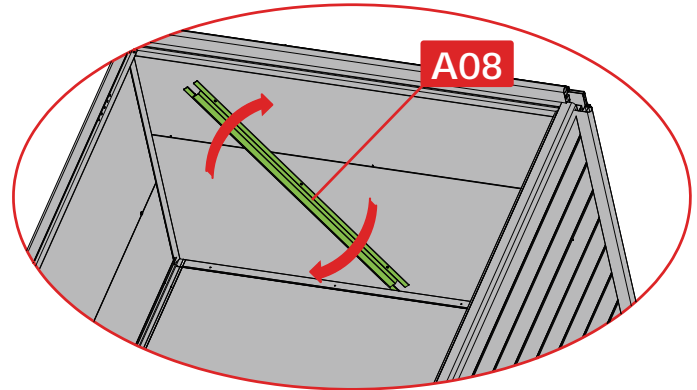
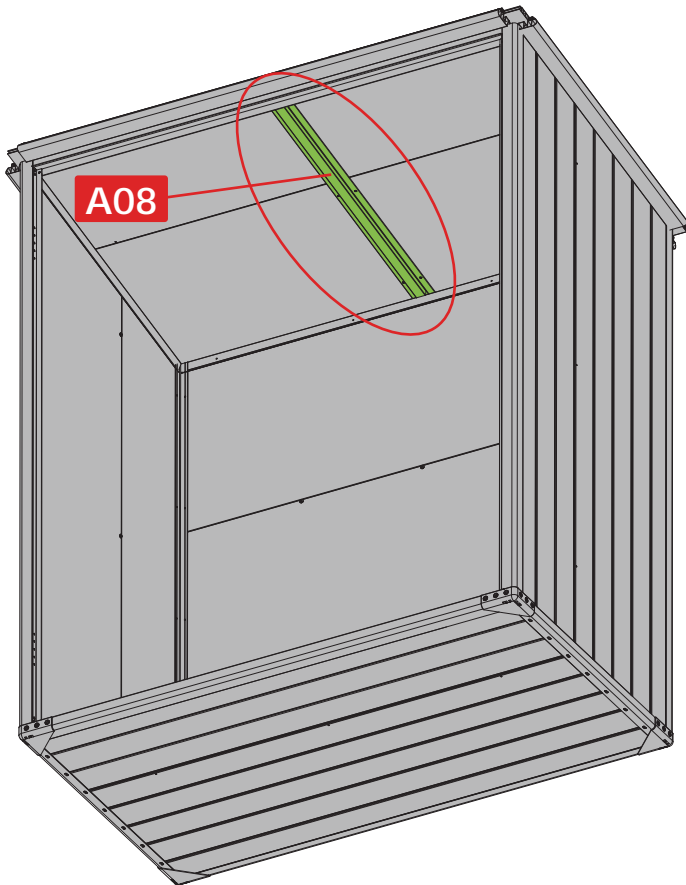
27



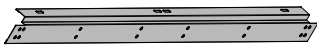
A08 X 1



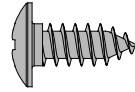
E02 X 6



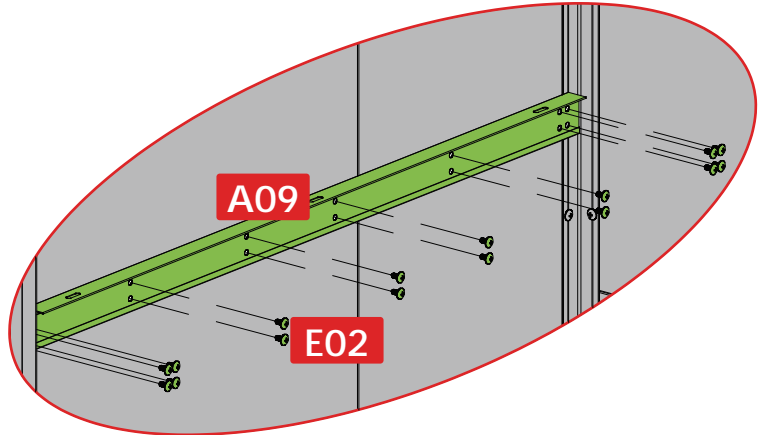
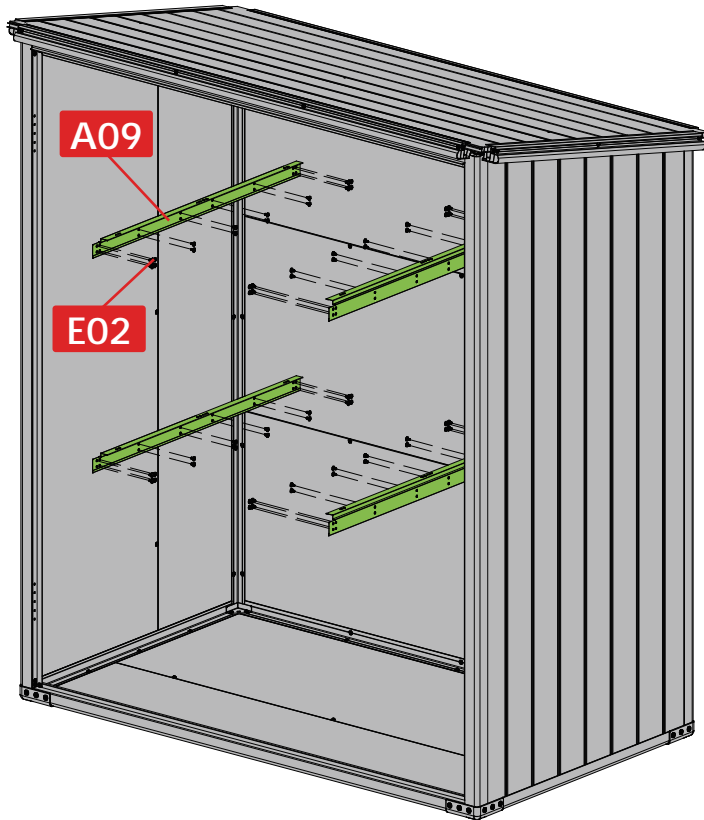
28



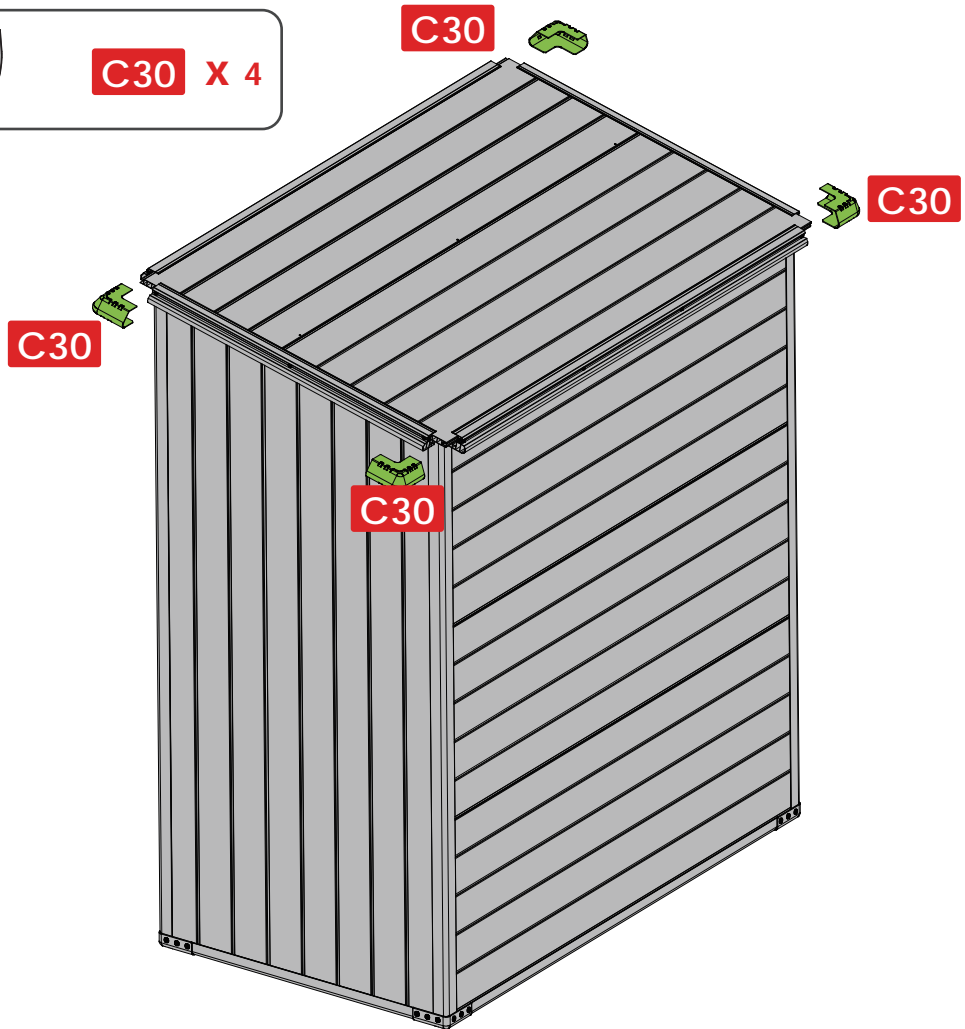
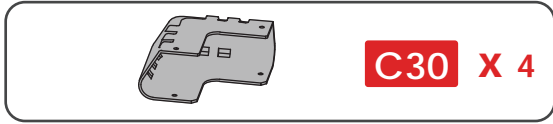
A09 X 4



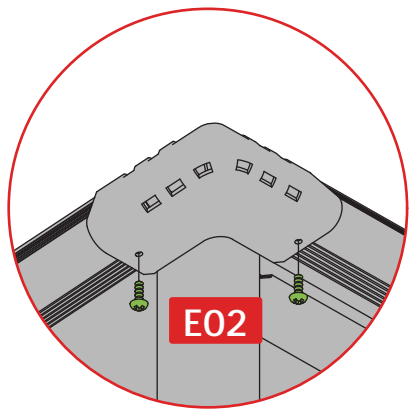
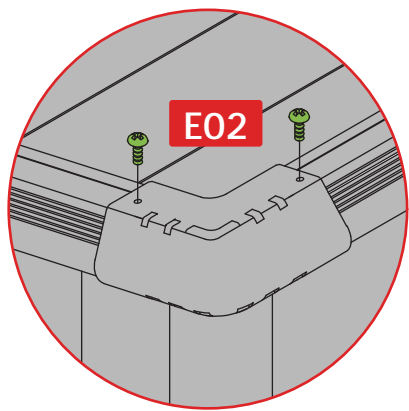
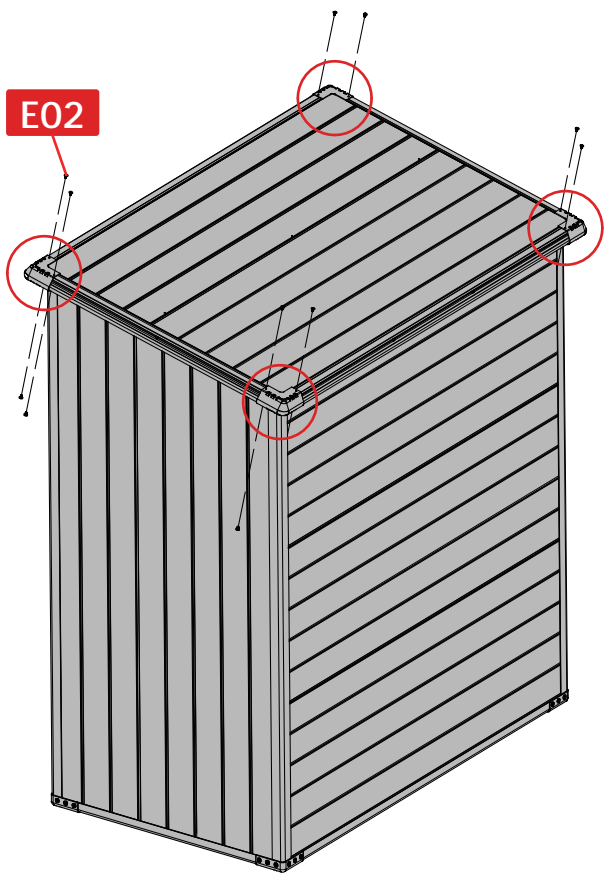
E02 X 64



29

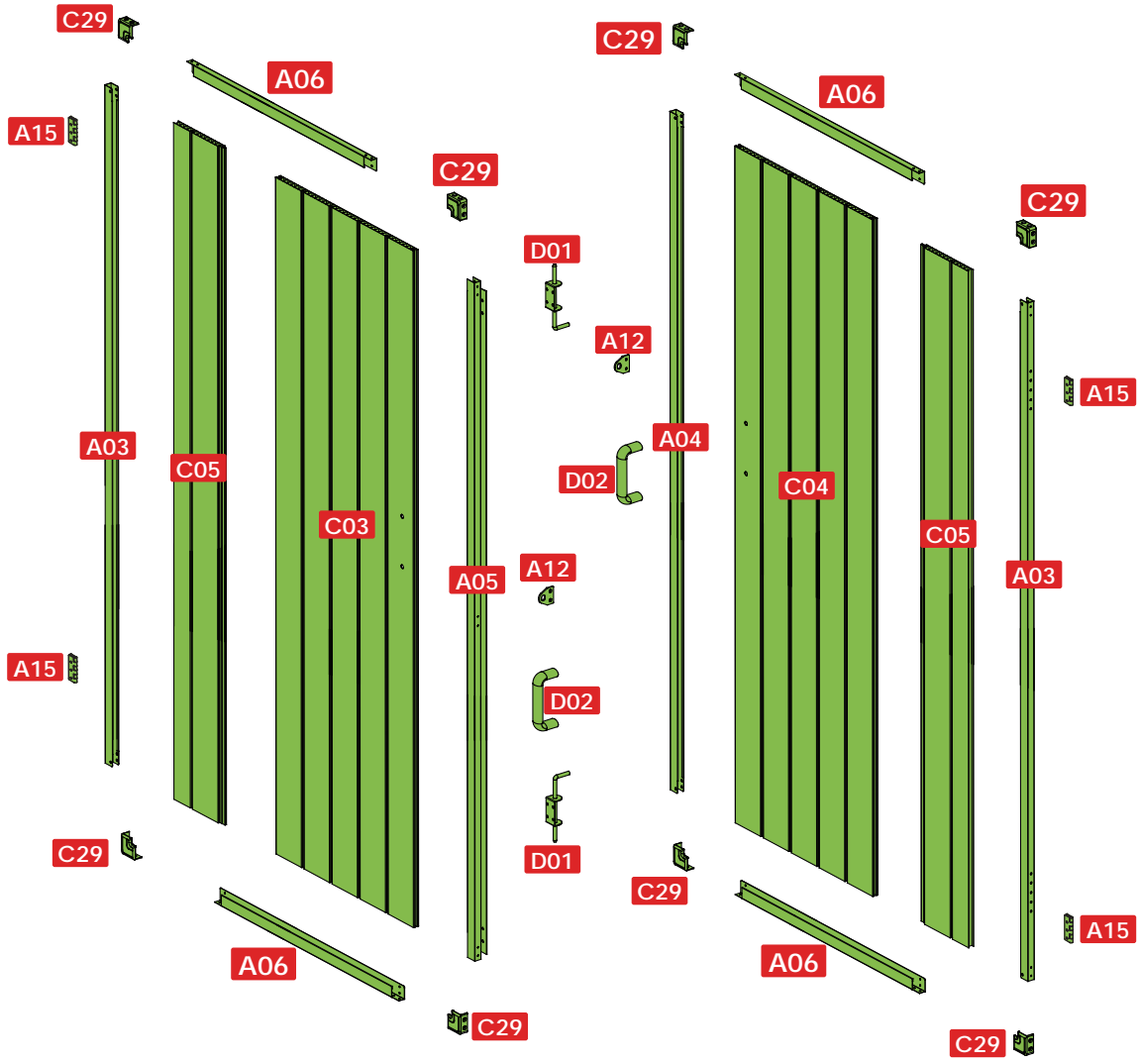


30



Part 6: Door installation and adjustment

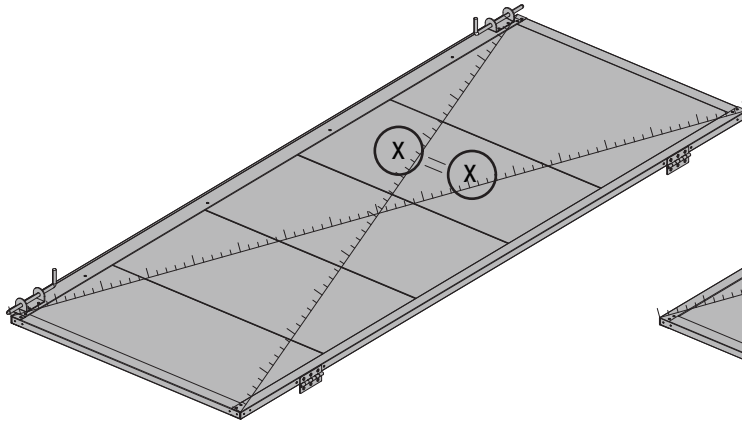




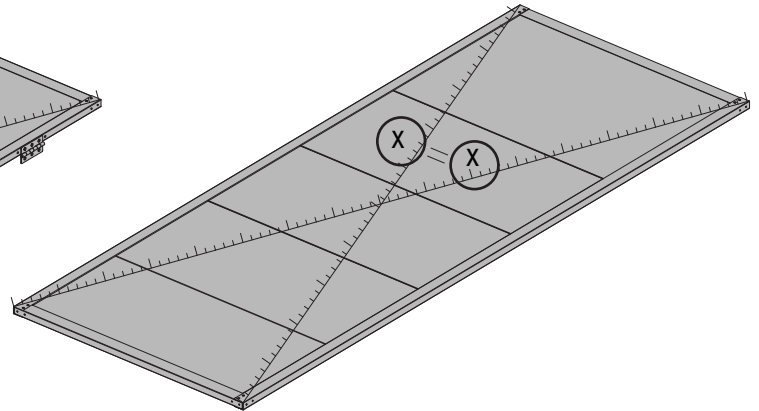


Note: When you assemble door, please kindly confirm the diagonal distance "X" of the door should be same before assembling the screws

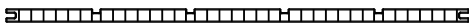
Door I-1 X=X



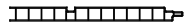
Door I-2 X=X



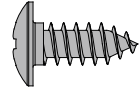
31



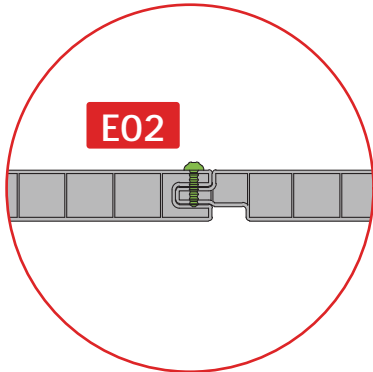
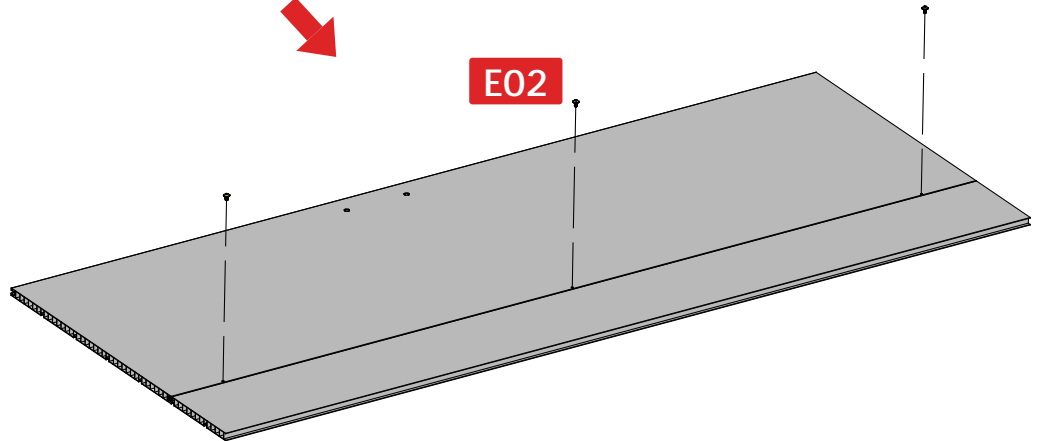
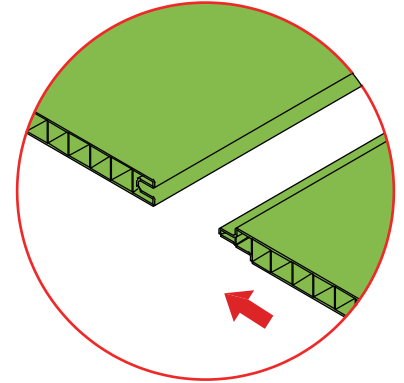
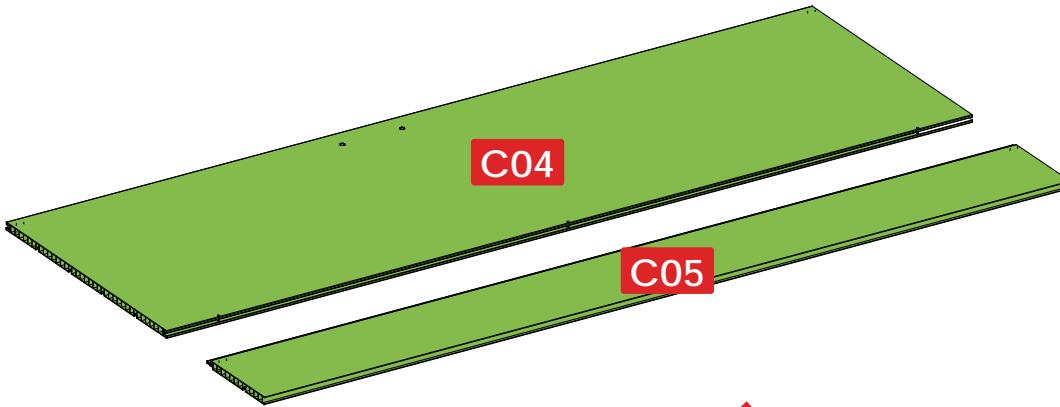
C04 X 1



C05 X 1



E02 X 3



32



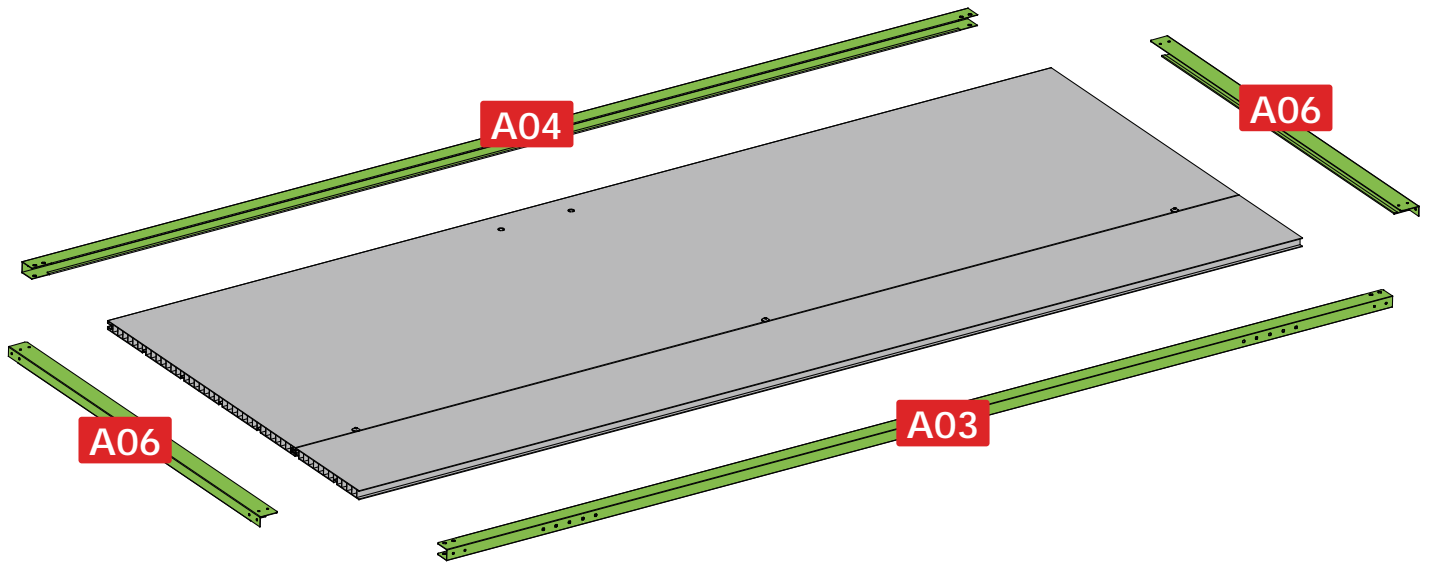
A03 X 1



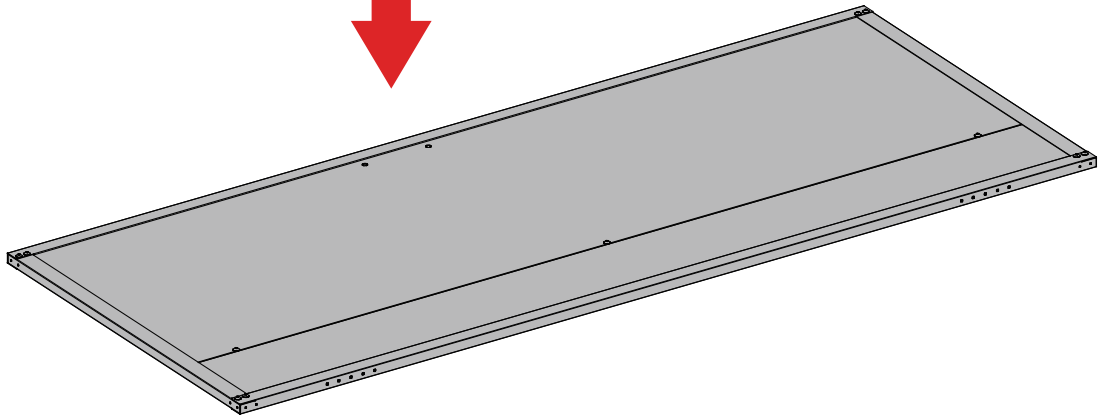
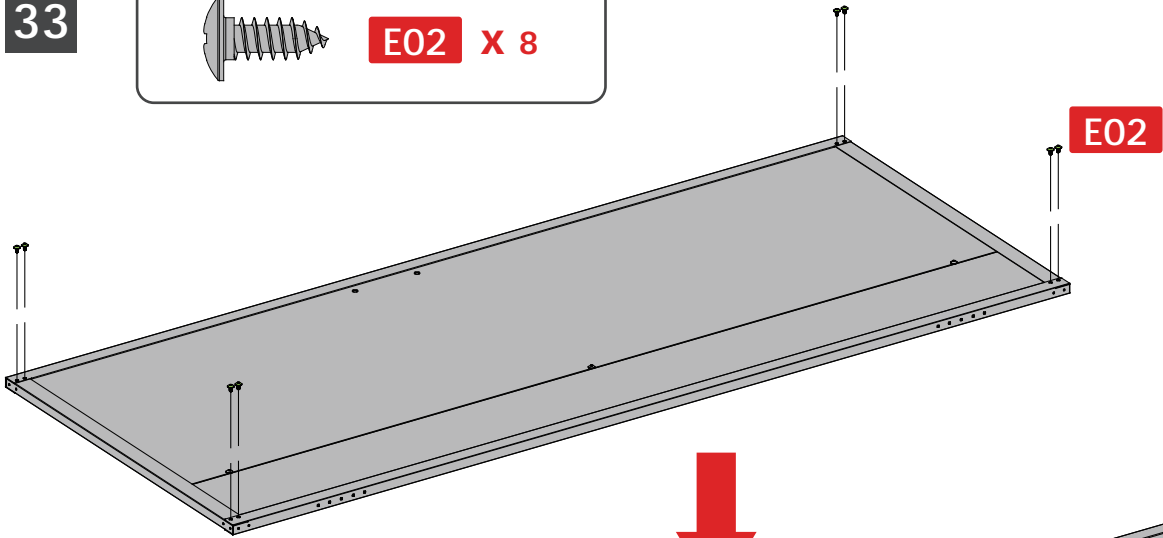
A04 X 1



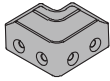
A06 X 2



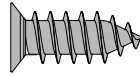
33



34



C29 X 4

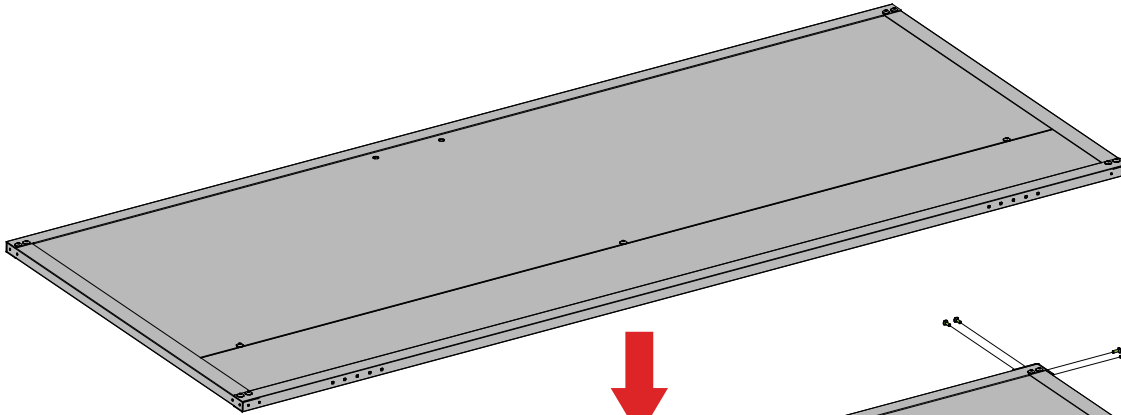


E01 X 16



C29

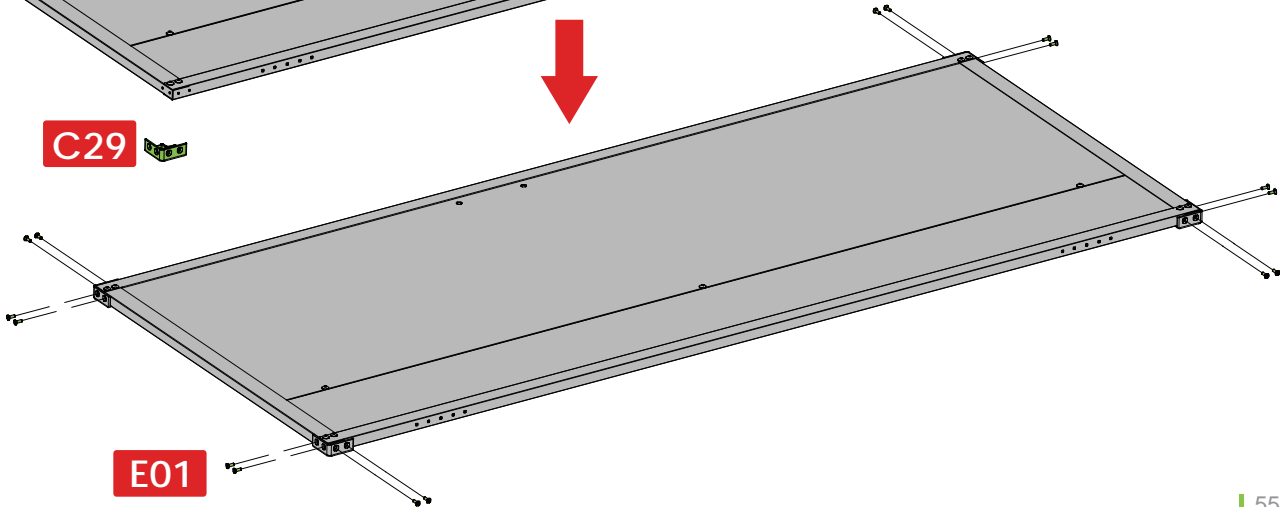
C29



C29

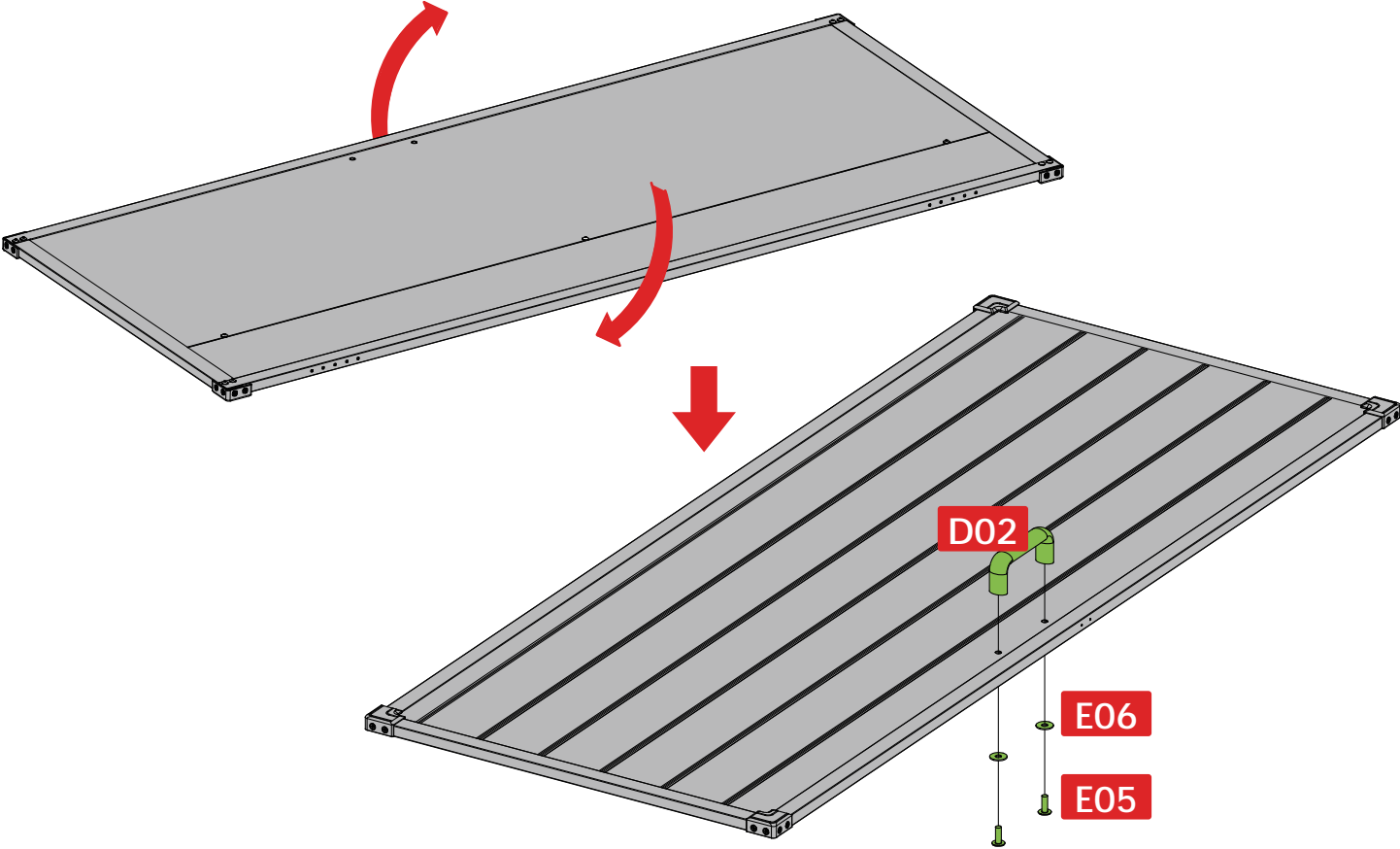
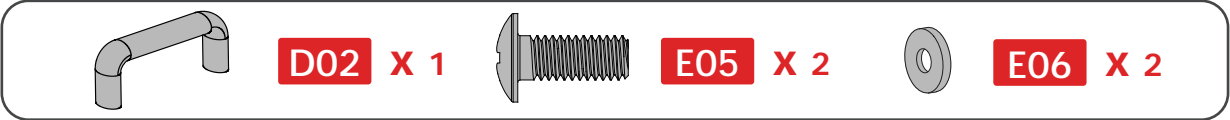


C29



E01

35



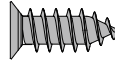
36



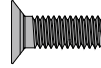
A12 X 1



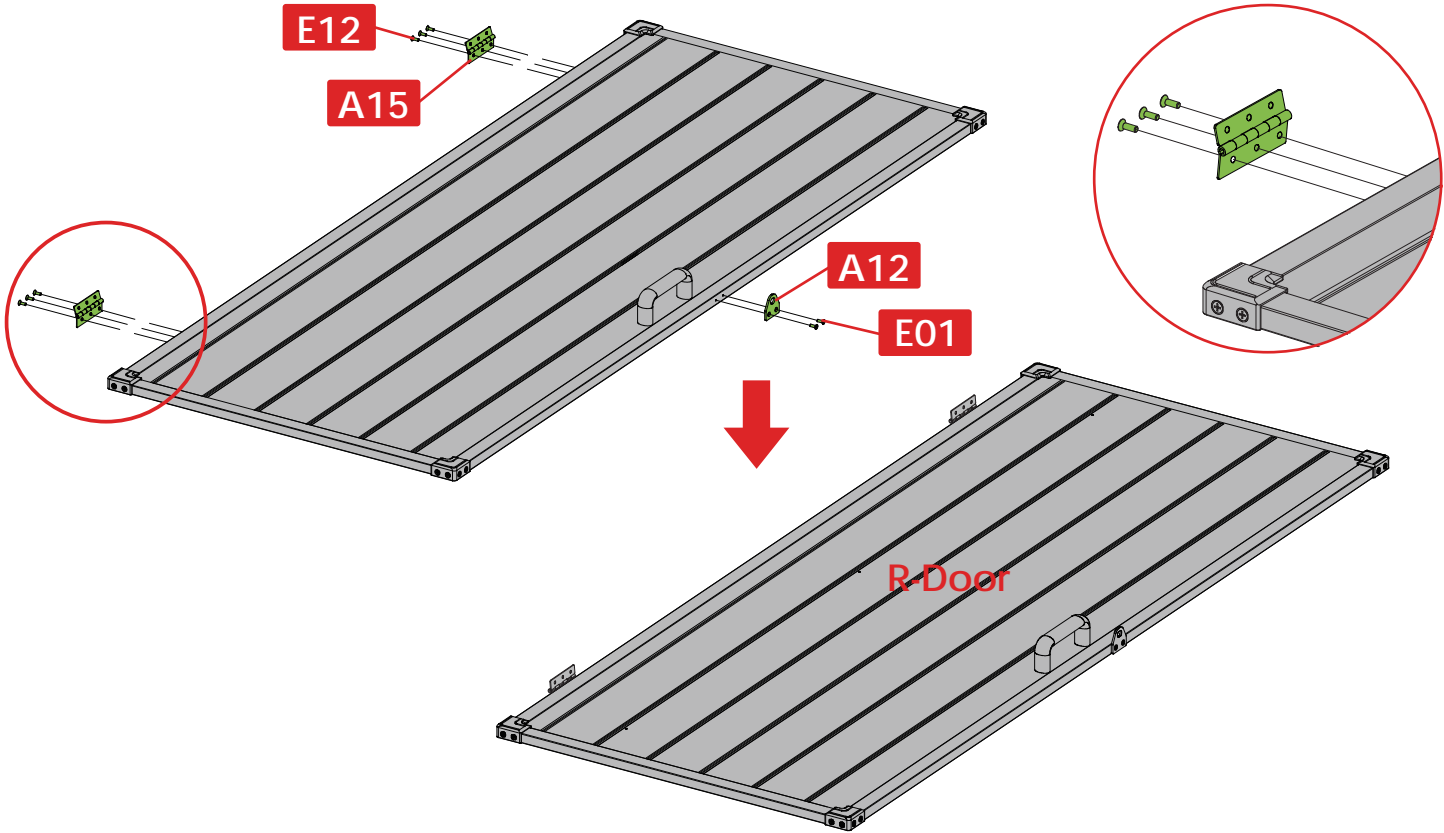
A15 X 2



E01 X 2

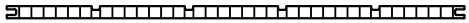


E12 X 6

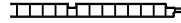


R-Door

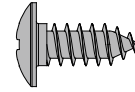
37



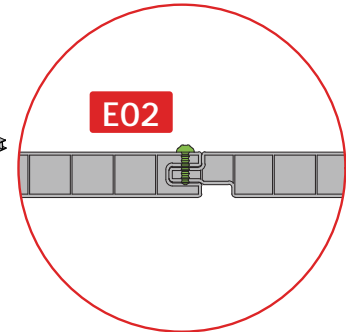
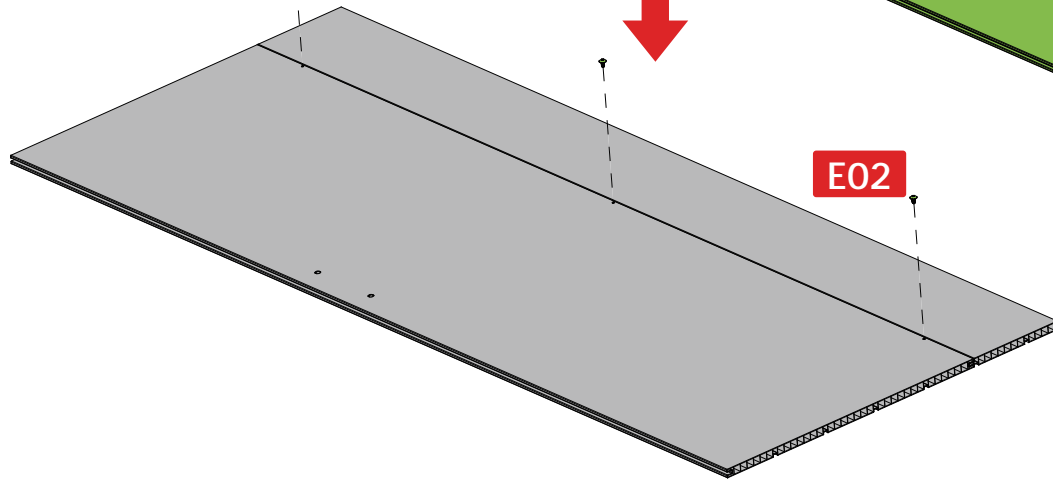
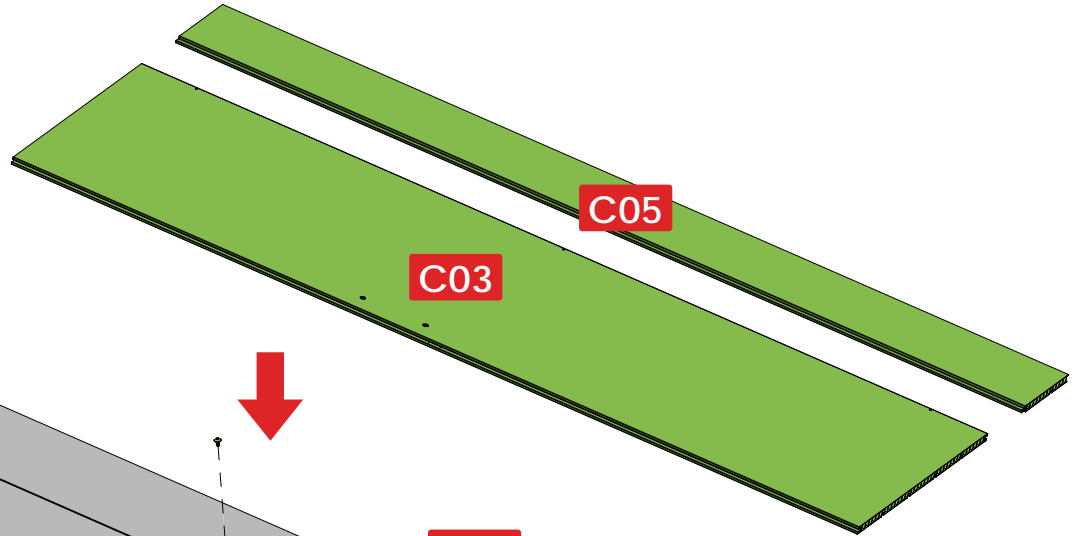
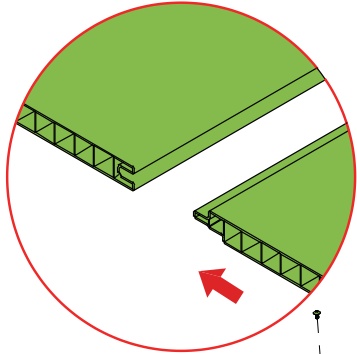
C03 X 1



C05 X 1



E02 X 3



38



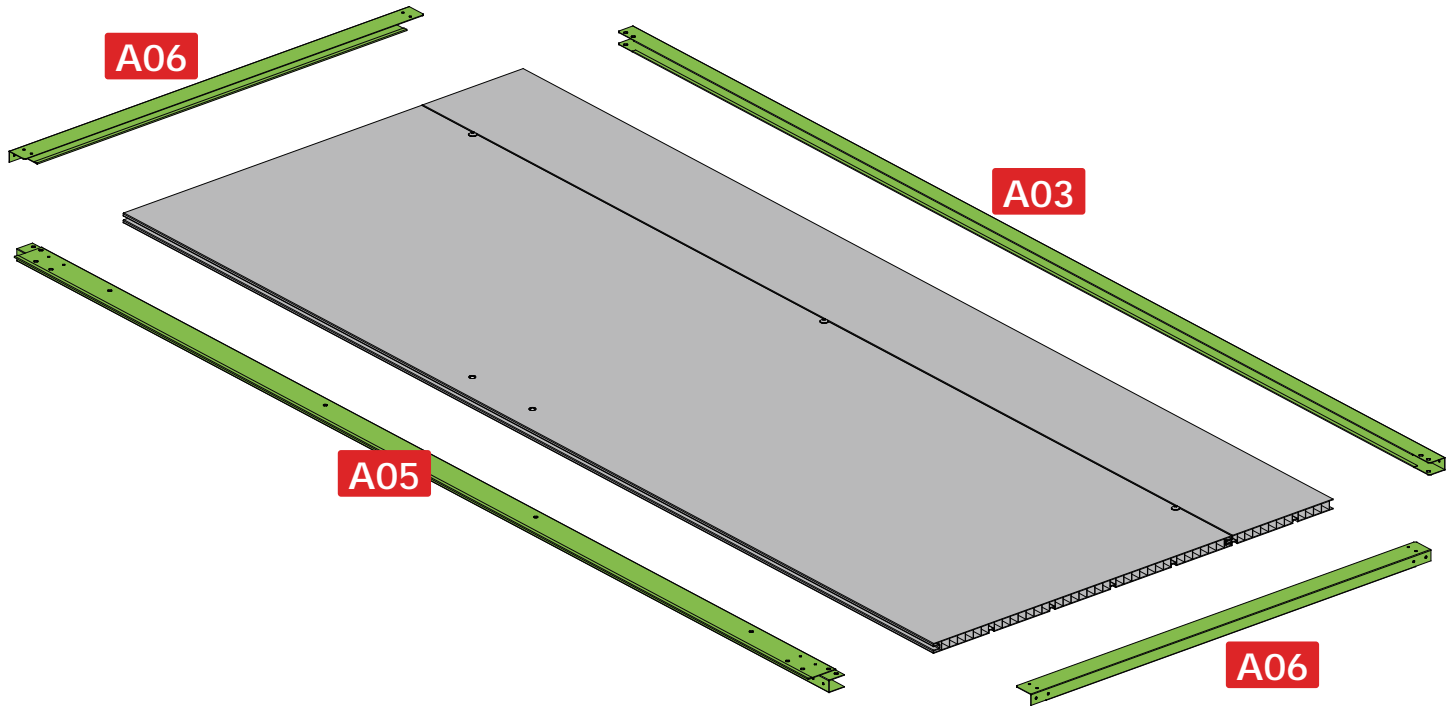
A03 X 1



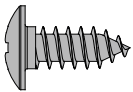
A05 X 1



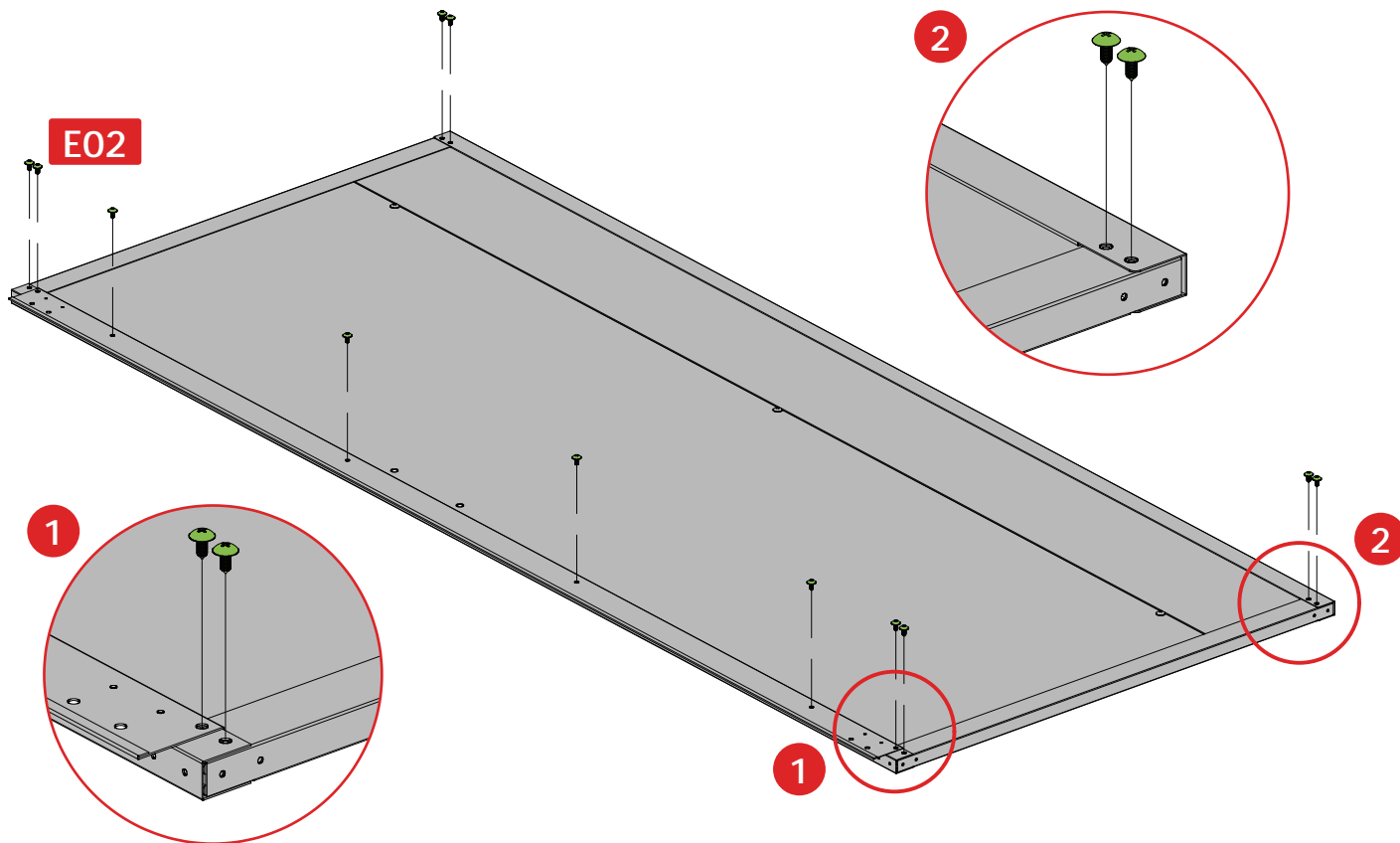
A06 X 2



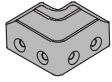
39



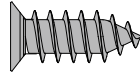
E02 X 12



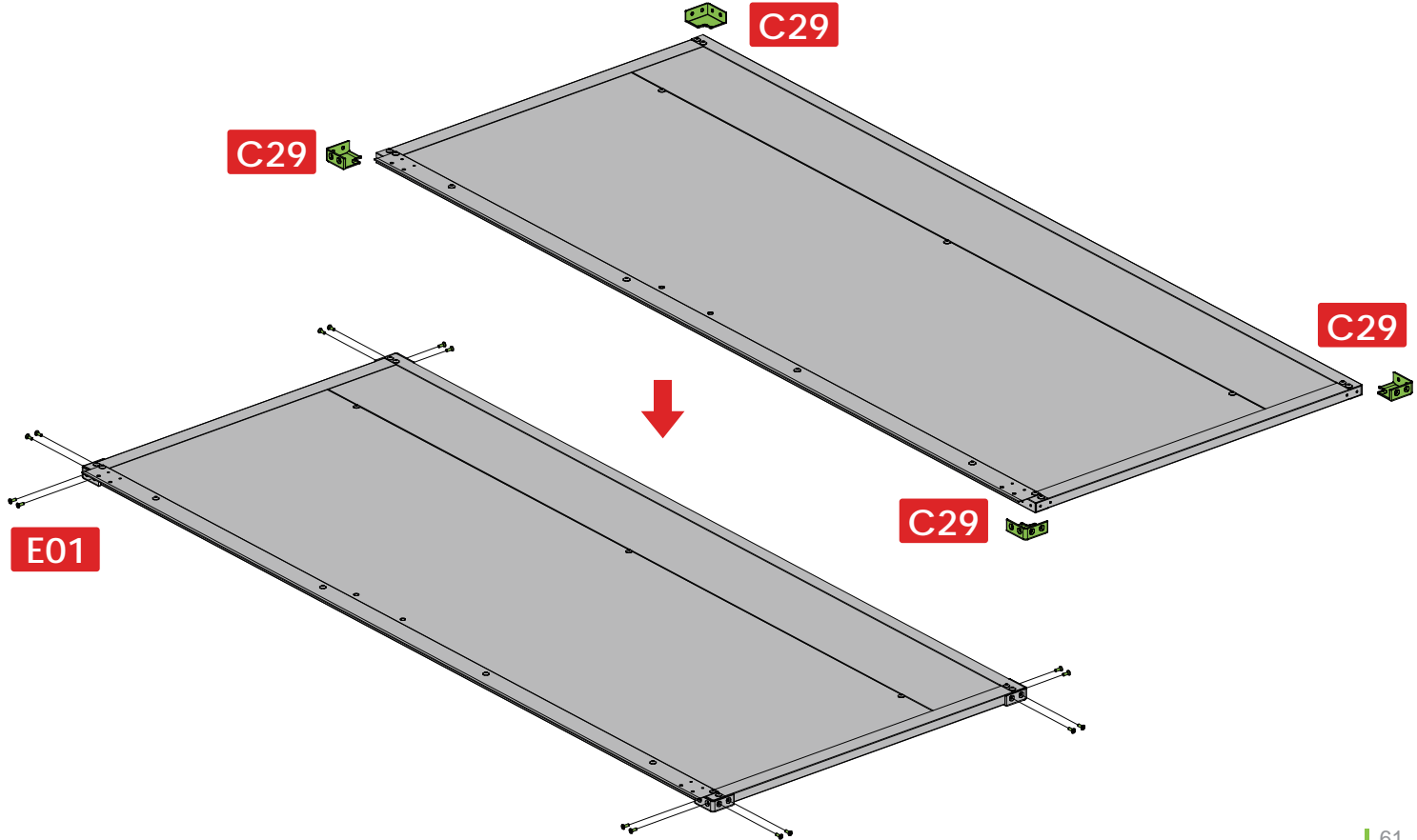
40



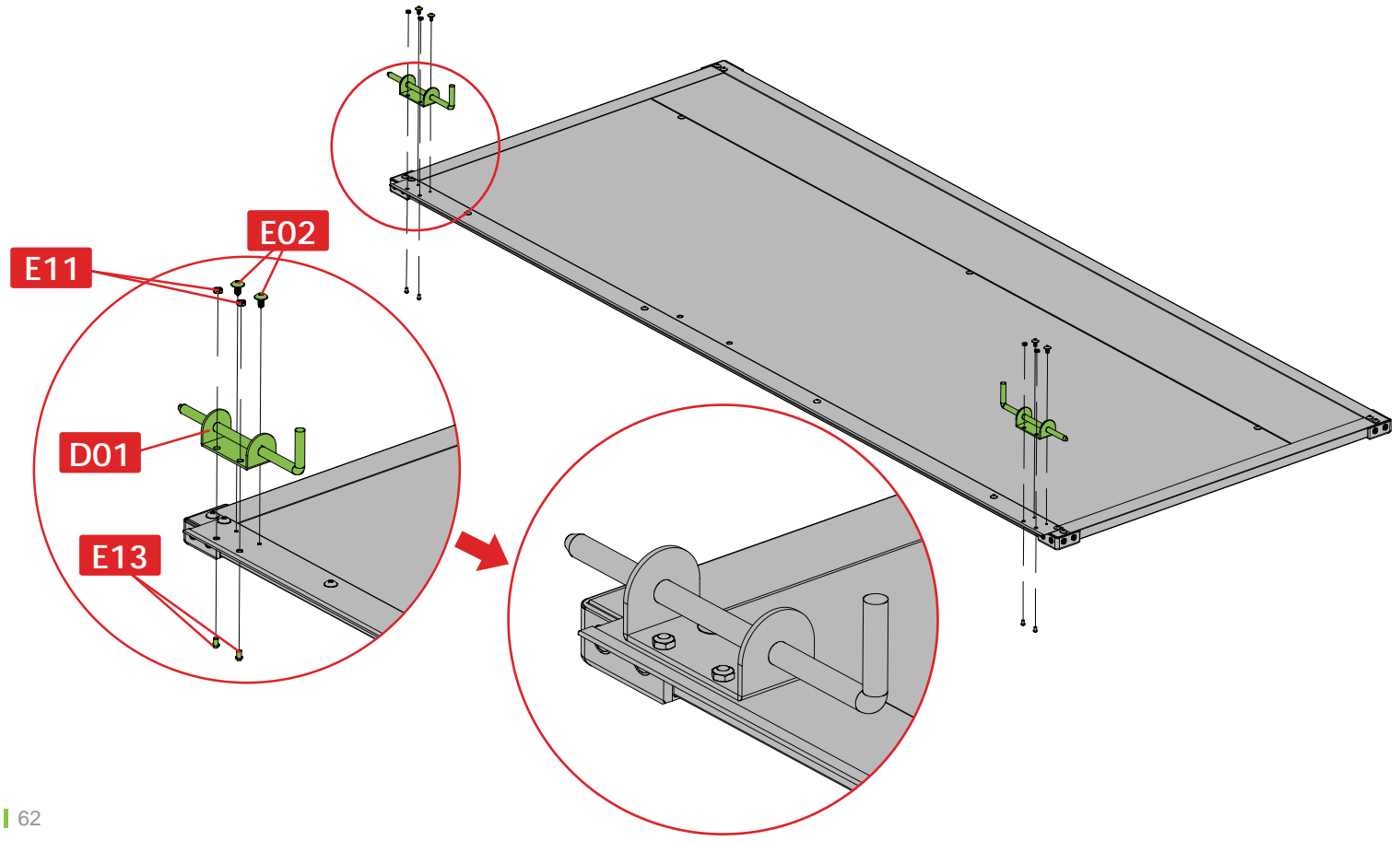
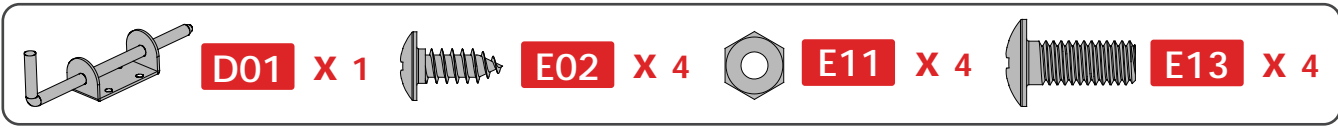
C29 X 4



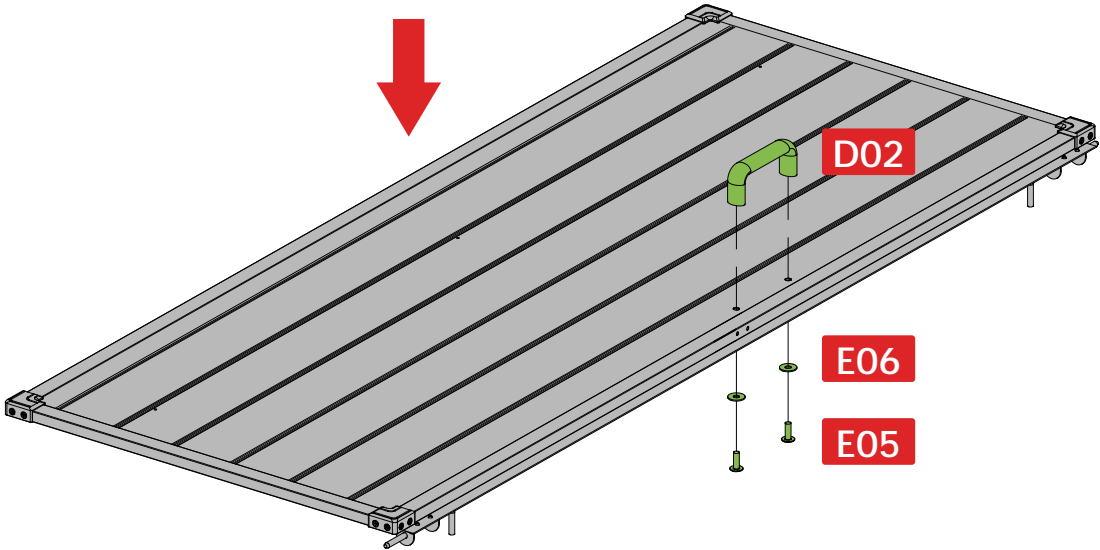
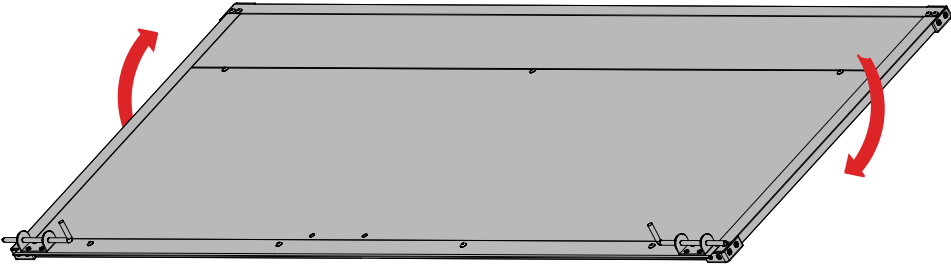
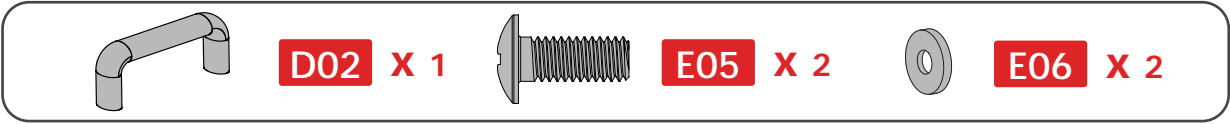
E01 X 16



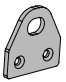
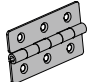
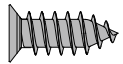

41

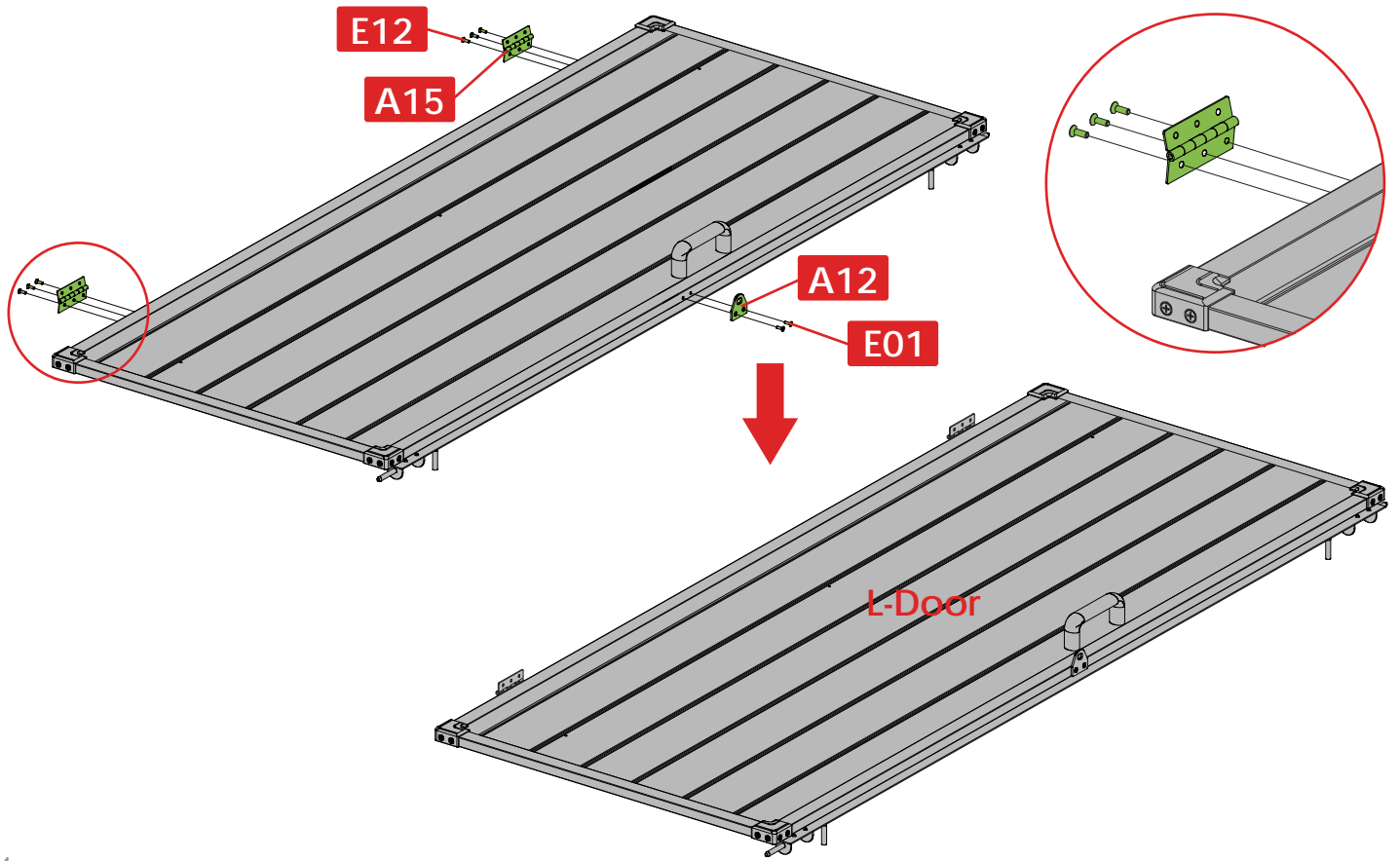


42

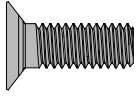


43

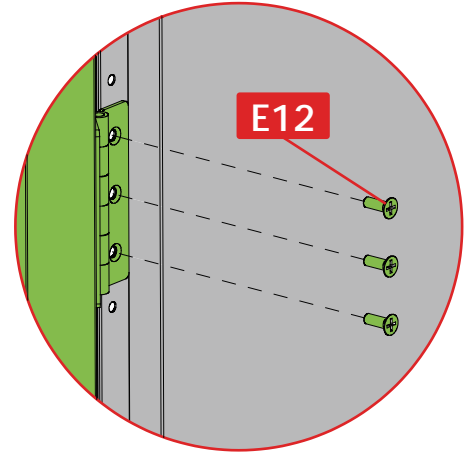
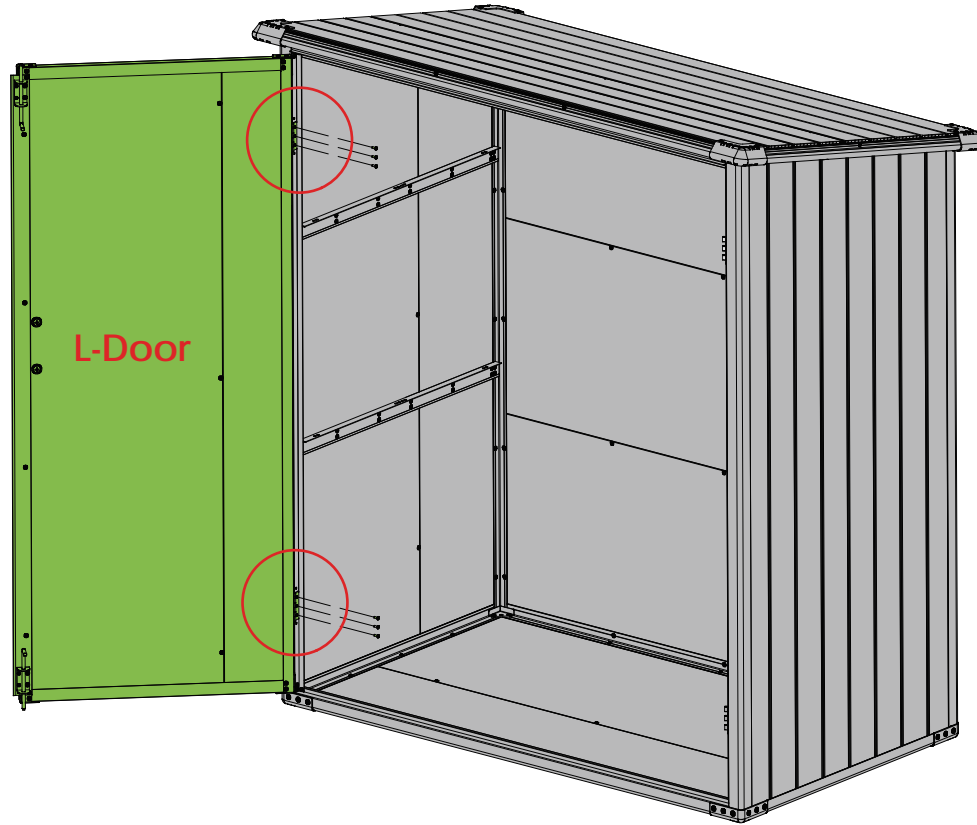
-  **A12** X 1
-  **A15** X 2
-  **E01** X 2
-  **E12** X 6



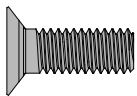
44



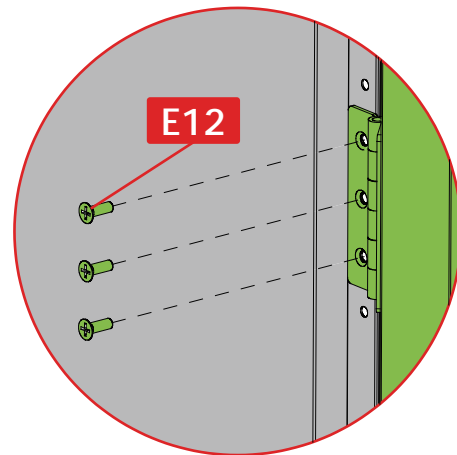
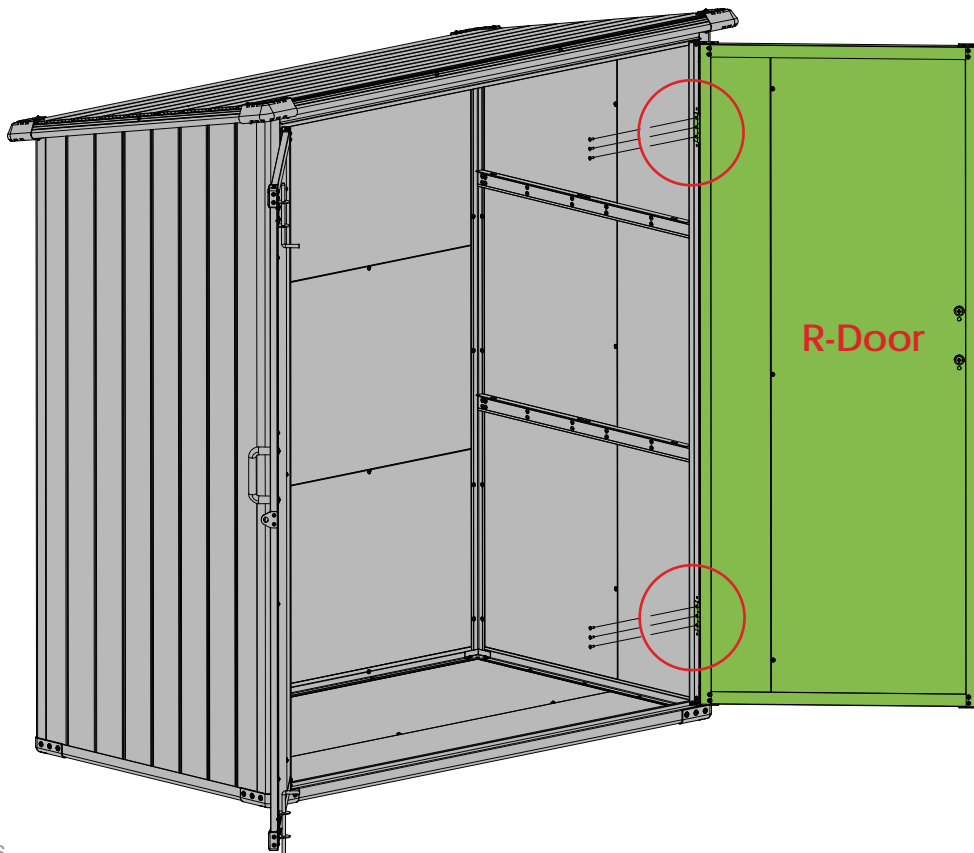
E12 X 6



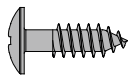
45



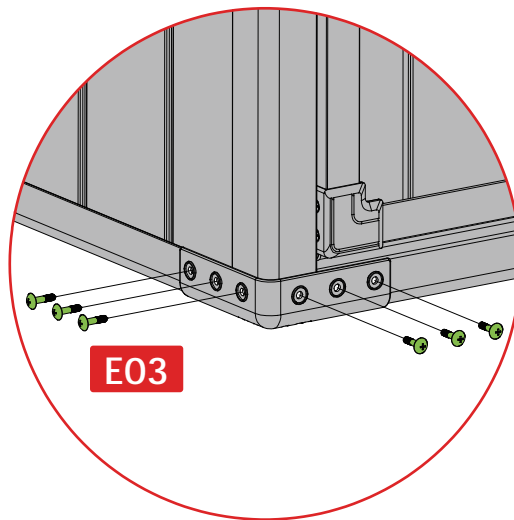
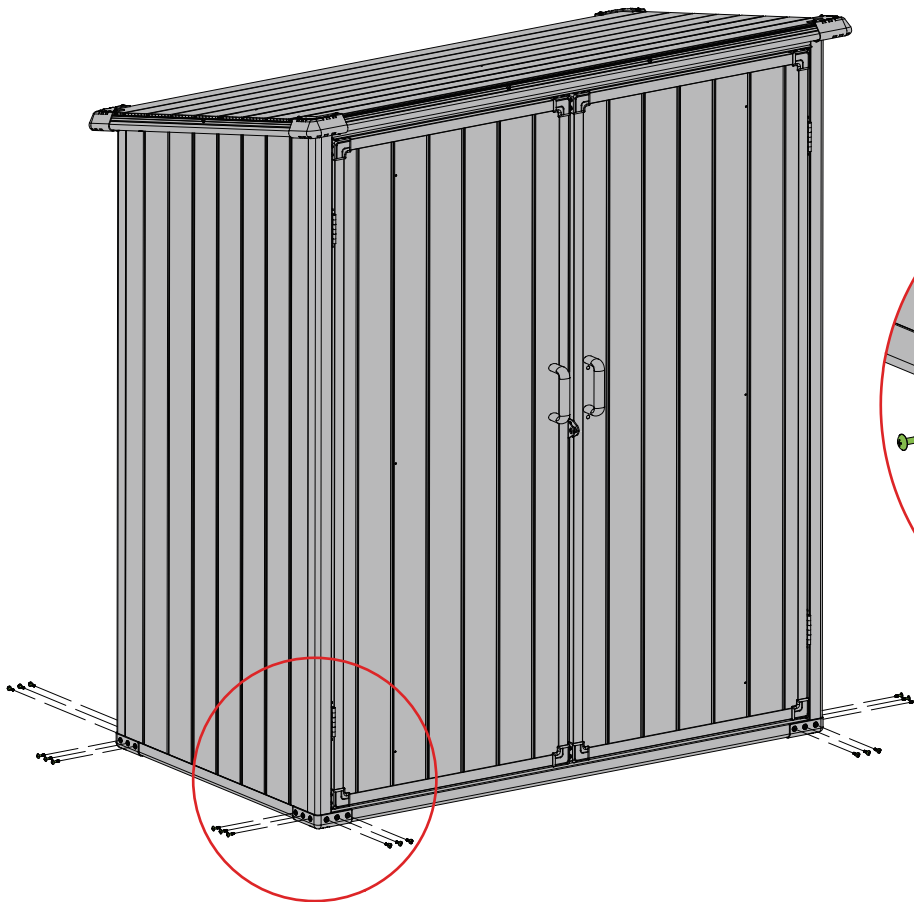
E12 X 6



46

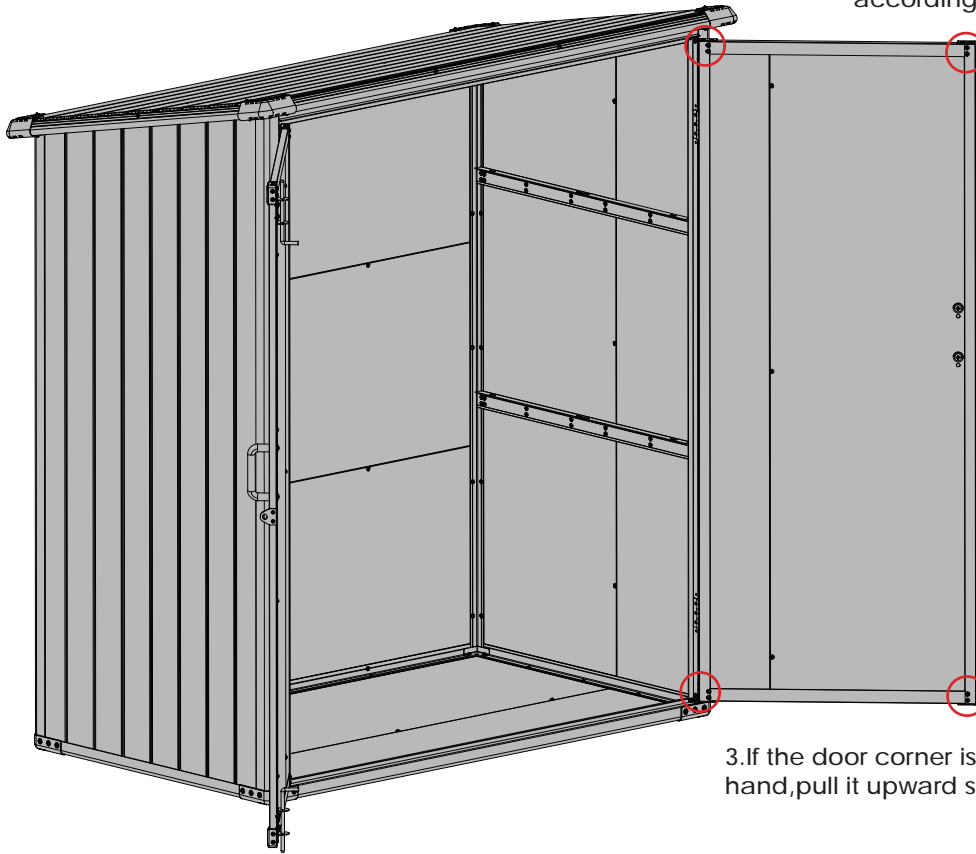


E03 X 24

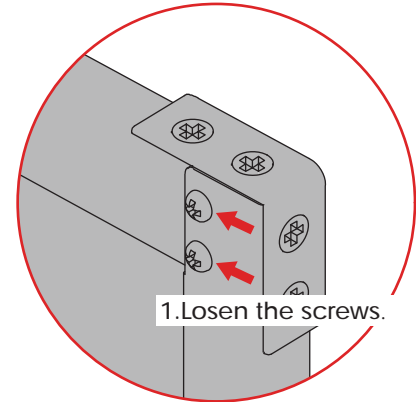


ATTENTION!!

When the door is not vertical or parallel after installation, please make appropriate adjustments according to the following gure.



2.If the door corner is tilted upward, press the corner with your hand, pull it upward slightly, and lock screws.



3.If the door corner is tilted down, hold the corner with your hand, pull it upward slightly, and lock screws.