

WARNING!!

Children have died from furniture tipover. Tip restraints have been included with this product; you must install the tip restraints according to these instructions in order to minimize the risk of furniture tipping.

NEVER allow children to climb or hang on furniture, including drawers or cabinet doors.

In addition to installing the restrains, to help prevent tip-over












1. NEVER put a TV or other heavy objects on top of this product".
2. Do not stand on the product

⚠ WARNING	
	<p>Children have died from furniture tipover. To reduce the risk of furniture tipover:</p> <ul style="list-style-type: none">-ALWAYS install anti-tip device provided.-NEVER put a TV on this product.-NEVER allow children to stand, climb, or hang on any drawers, doors, or shelves.-NEVER open more than one drawer at a time.-Place heaviest items in the lowest drawers.
	<p><i>This is a permanent label. Do not remove!</i></p>

Assembly Instructions

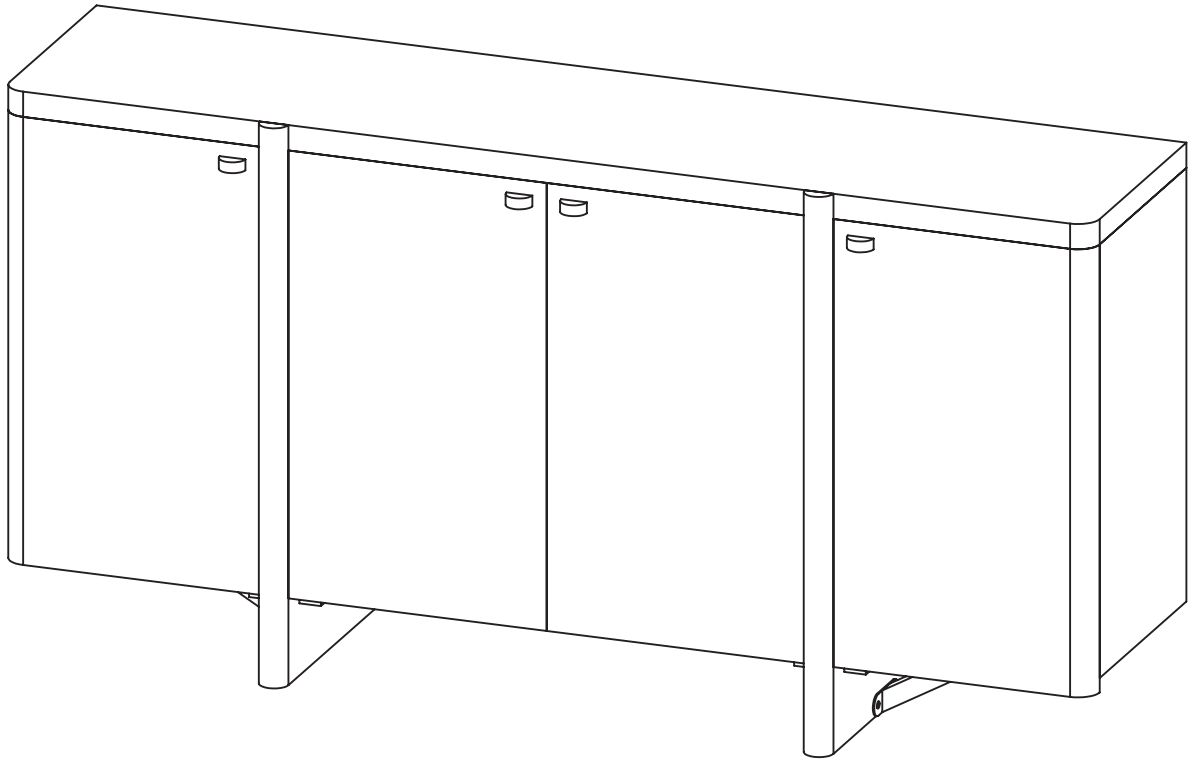
Caution : You must read this before you proceed

Care & Maintenance

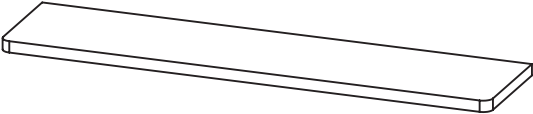
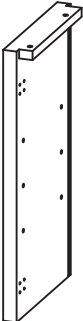
- ⊘  ● Not for commercial use. For residential use only.
- ✓  ● Furniture may scratch floors. We recommend using furniture pads to protect your floors.
- ⊘  ● Do not put hot items directly on furniture surface.
- ⊘  ● Do not clean furniture with harsh cleansers or polish.
- ⊘  ● Do not place furniture under direct sunlight.
- ⊘  ● Do not place furniture near heating or cooling vents.
- ⊘  ● Do not write on furniture without a padded barrier to protect the surface.
- ⊘  ● Do not place furniture outside . For indoor use only.
- ⊘  ● Stains may be removed with mild soap solution and damp cloth.
- ⊘  ● Children should not climb or jump on the furniture.
- ✓  ● Dust and pick-up spills using a clean, non-colored, lint-free cloth.


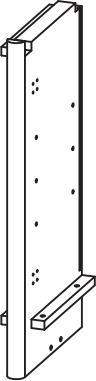

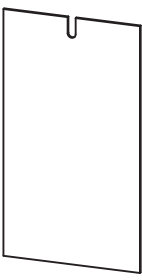



Please look in carton for hardware packs and legs.

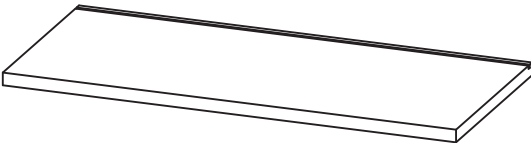
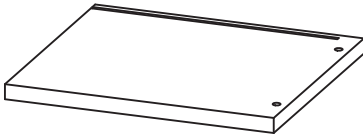
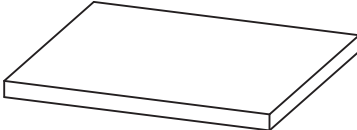
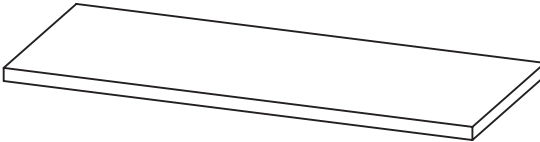
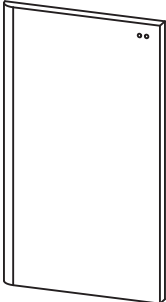
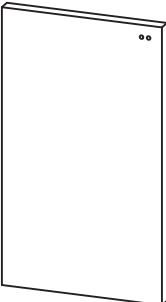
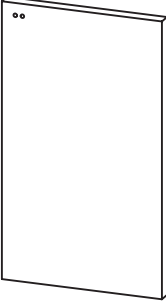
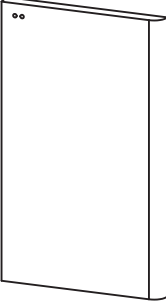
Buffet Cabinet









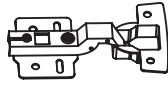
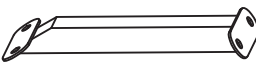
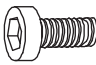
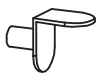




Parts List

Label	Picture	Description	QTY
A		Top Panel	1
B		Left Side Panel	1

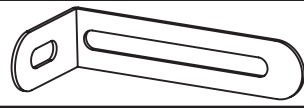



C		Left Side Panel	1
D		Right Side Panel	1
E		Right Side Panel	1
F		Back Panel	2
G		Back Panel	2
H		Strip	1
I		Left Bottom Panel	1

J		Middle Bottom Panel	1
K		Right Bottom Panel	1
L		Left & Right Adjustable Panel	2
M		Middle Adjustable Panel	1
N		Left Door Panel	1
O		Left Door Panel	1
P		Right Door Panel	1
Q		Right Door Panel	1

Hardware

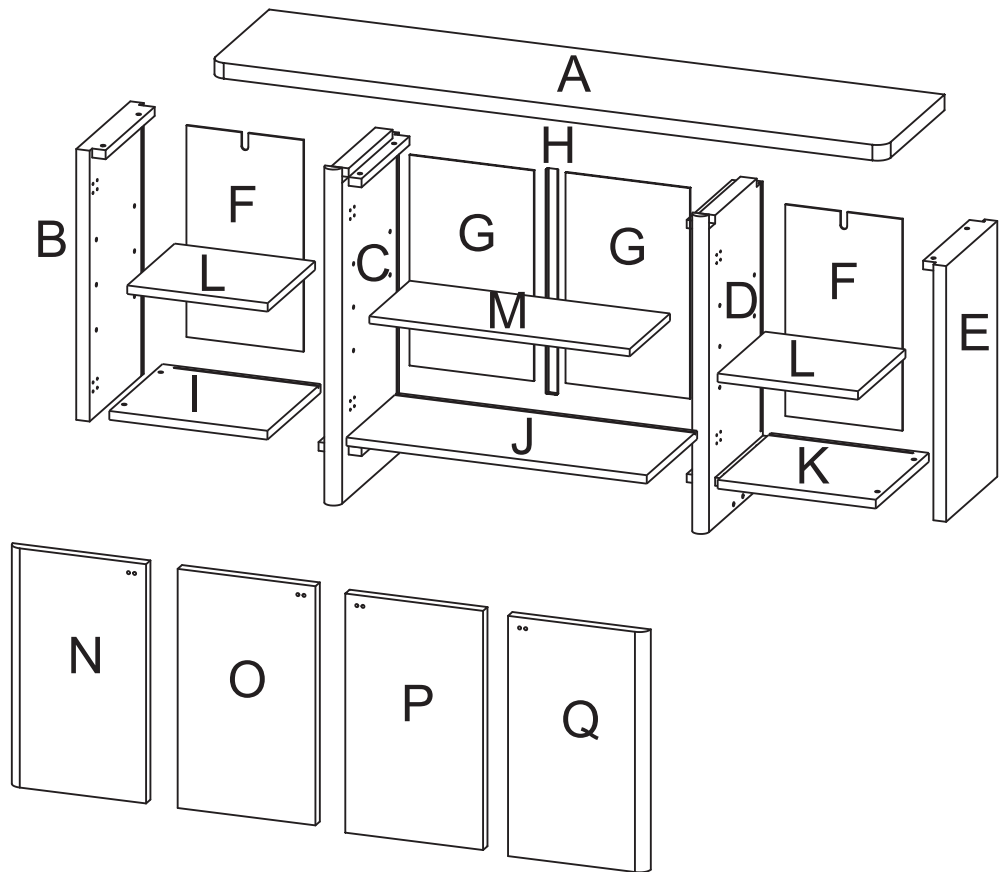
Label	Picture	Description	QTY
①		Bolt (Ø6*30mm)	8+1
②		Bolt (Ø6*35mm)	12+1
③		Flat Washer	28+2
④		Handle	4
⑤		Screw (Ø3.5*14mm)	48+5
⑥		Hinge	4
⑦		Hinge	4
⑧		Metal Support Strip	2
⑨		Bolt (Ø6*15mm)	8+1
⑩		Shelf pin	12
⑪		L-type Hexagon Wrench	1
⑫		Plastic Button	12
⑬		Screw (Ø3*14mm)	12+1
⑭		Bolt (Ø5*30mm)	8

Restraint Device Hardware

⑮		Anti-Tipping Iron Sheet	2
⑯		Nut	2
⑰		Screw (Ø4*14mm)	2
⑱		Screw (Ø4*35mm)	2

Assembly Preparation

Before
Beginning
Assembly:



- Read instructions, cover to cover-



- Have 2 adults on hand for assembly-



- Do not assemble on flooring or carpet-



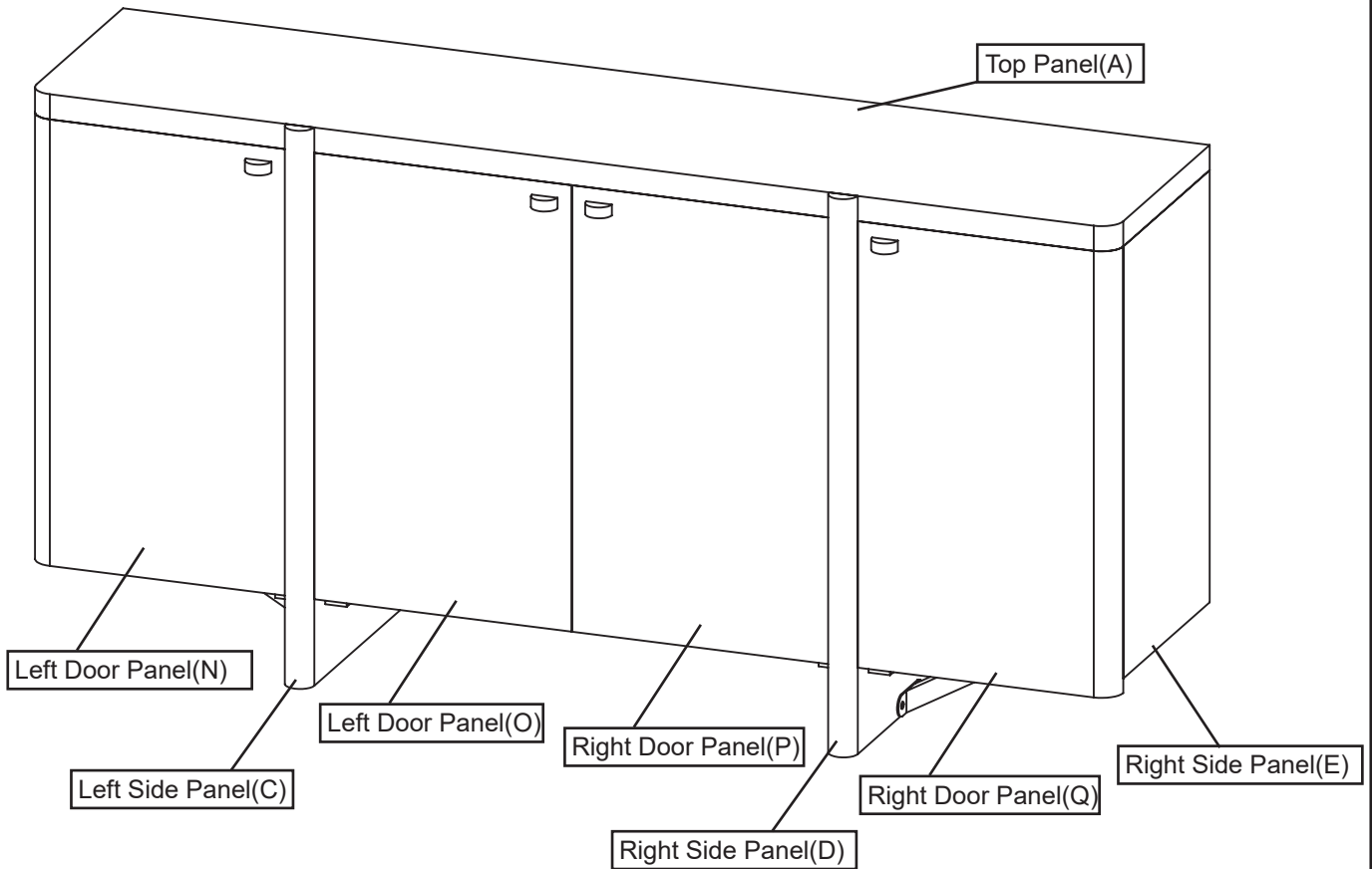
- Assemble on a clean non-marring surface (packing foam)-



- Save all packaging until finished-

Assembly Steps

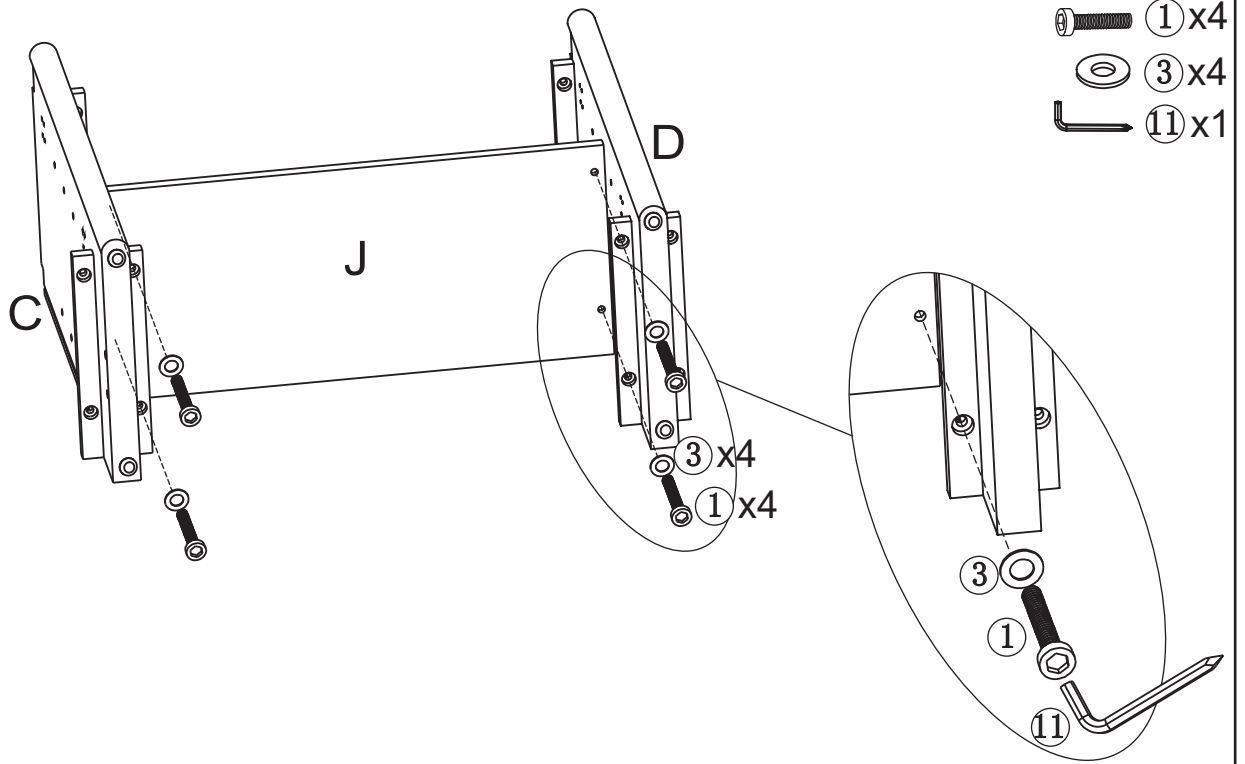
Overview



Front Facing

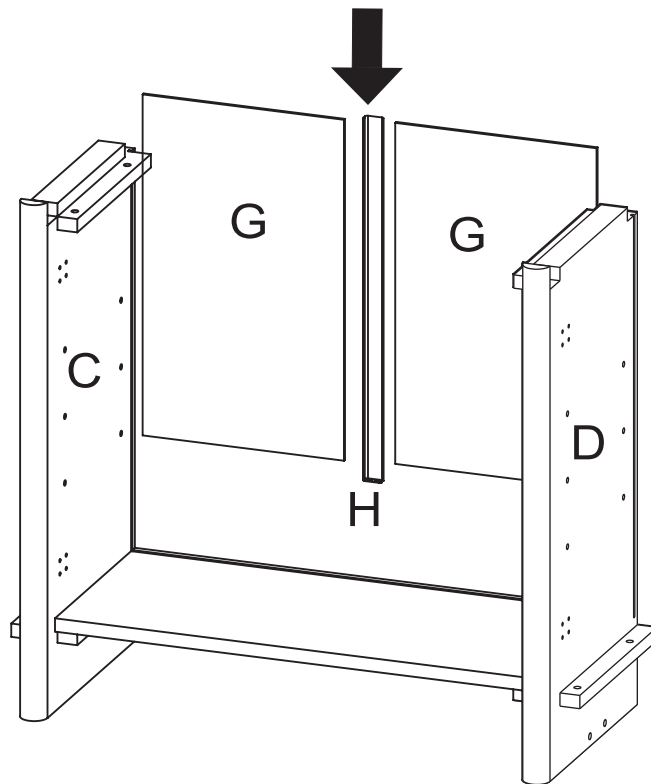
This Buffet Cabinet has multiple parts and may require up to 30 minutes to assemble. To give you an overview of the Buffet Cabinet parts, the above picture is to help you put the various parts into perspective. Please read through the instructions below to familiarise yourself with the parts and steps before assembly.

Step 1



Attach the middle bottom panel(J) to the left side panel(C) with bolt(①) and flat washer(③) using L-type hexagon wrench(⑪).
Repeat the previous steps to the right side panel(D) .

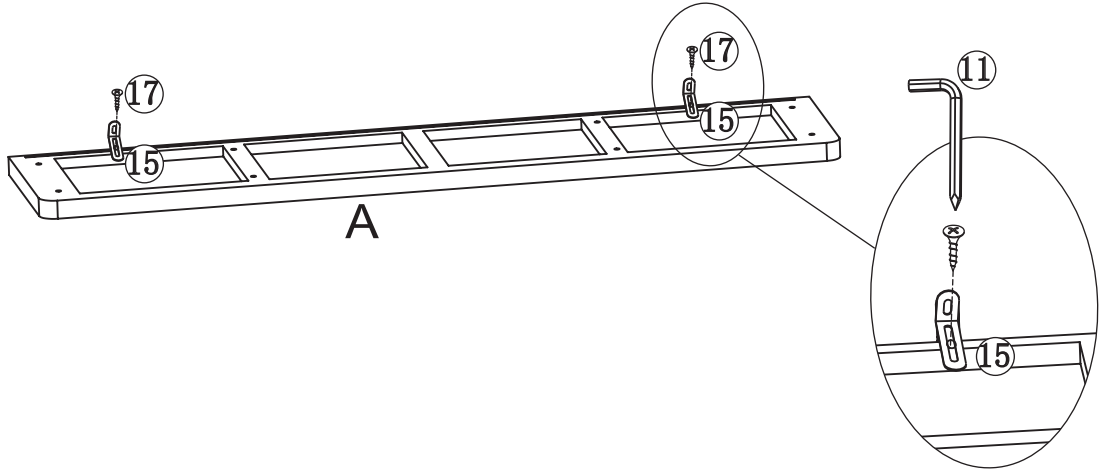
Step 2



Insert the back panel(G) into the groove of the left side panel(C) and the right side panel(D).
Insert strip(H) into the groove of the left side panel(C) and the right side panel(D).

Step 3

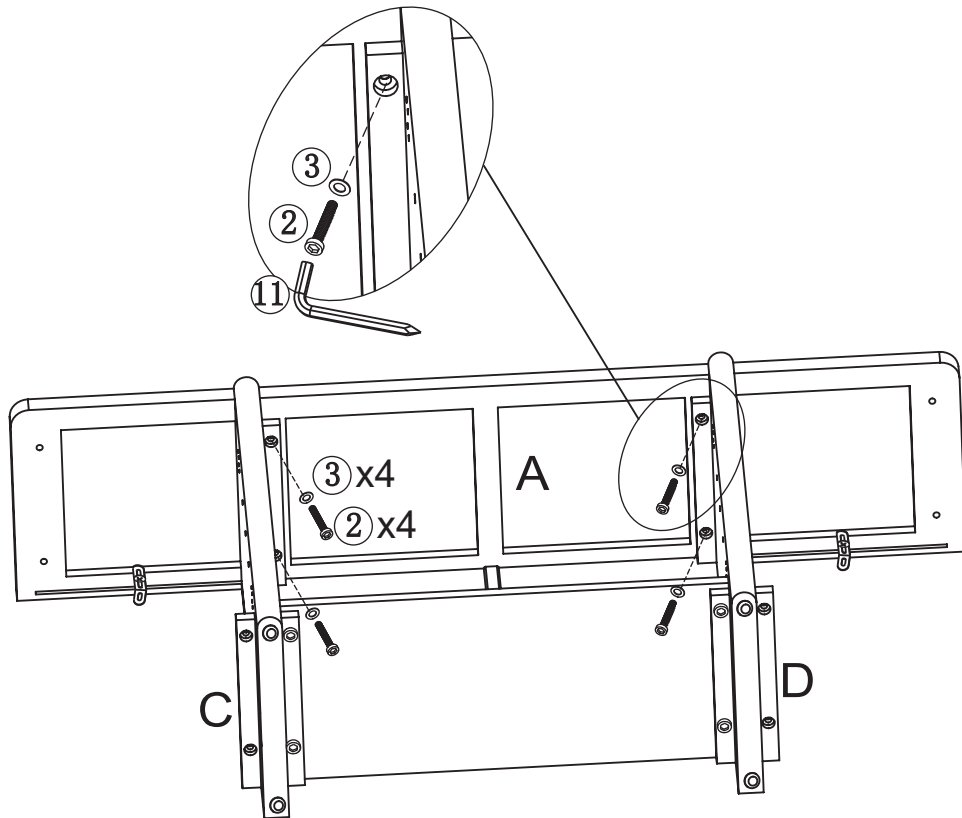
- ⑮x2
- ⑰x2
- ⑪x1



Attach the long side of anti-tipping iron sheet (⑮) into the top panel(A) with screw(⑰) using I-type hexagon wrench(⑪).

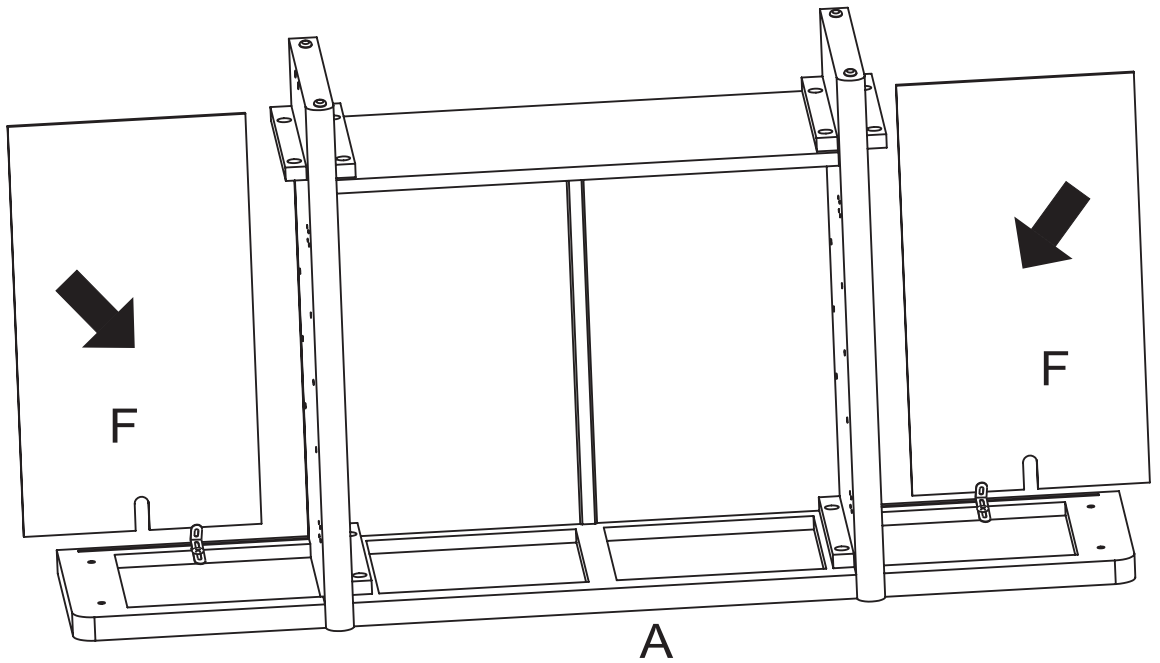
Step 4

- ②x4
- ③x4
- ⑪x1



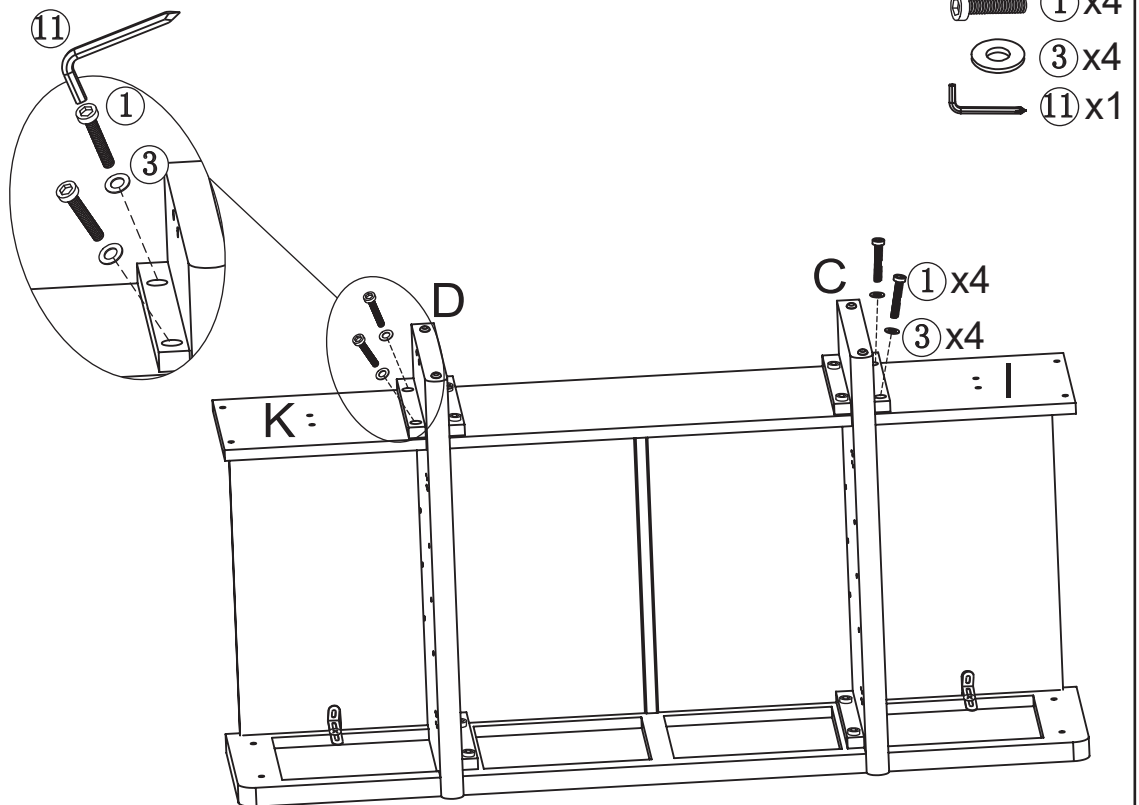
Attach the top panel(A) to the left side panel(C) with bolt(②) and flat washer(③) using I-type hexagon wrench(⑪).
Repeat the previous steps to the right side panel(D) .

Step 5



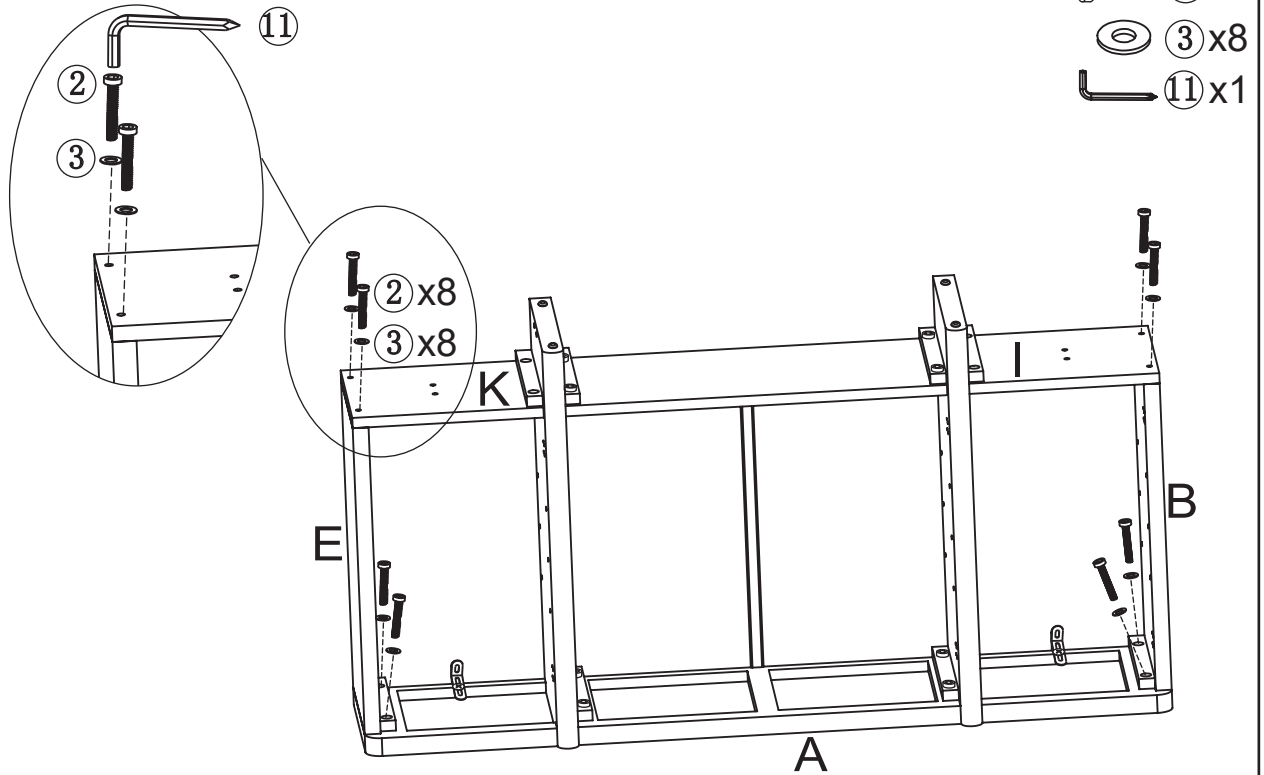
Insert the back panel(F) into the groove of the top panel(A).

Step 6



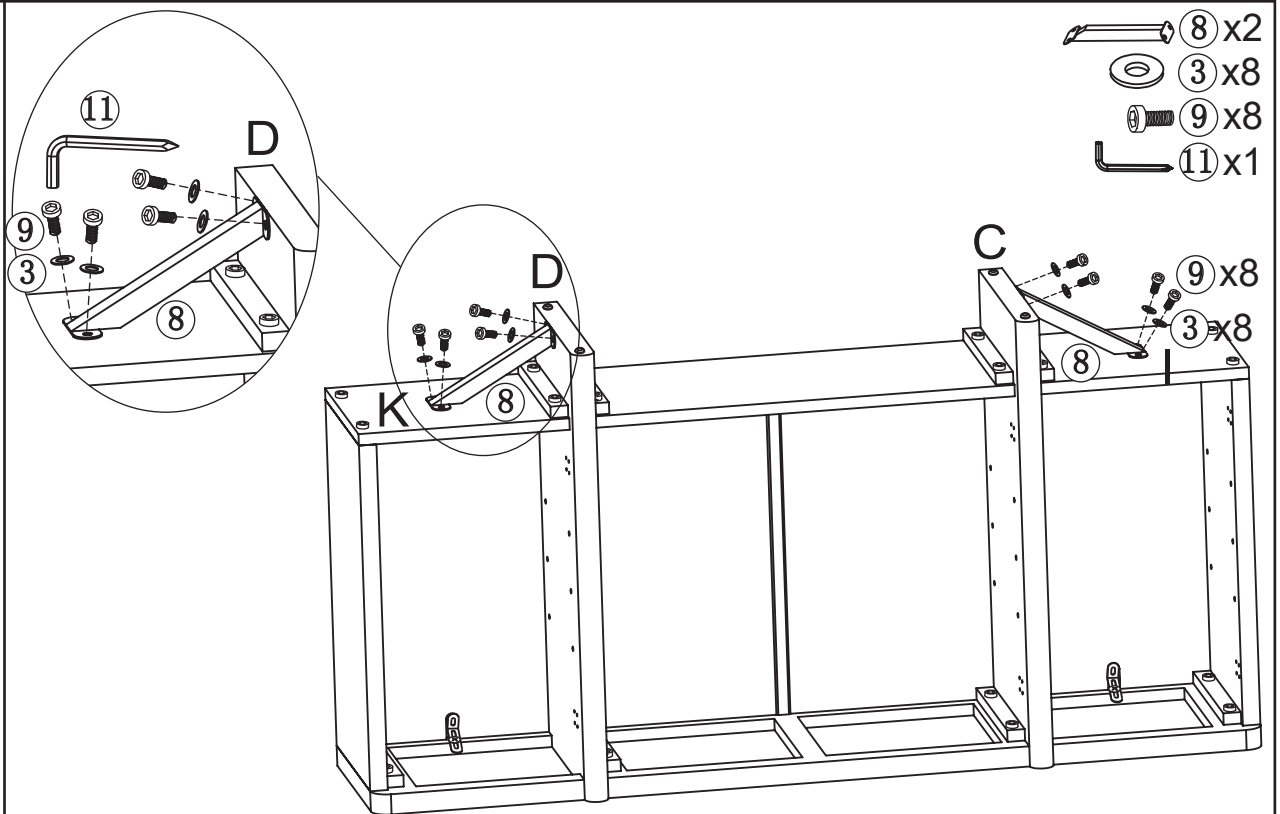
Attach the left bottom panel(I) to the left side panel(C) with bolt(1) and flat washer(3) using l-type hexagon wrench(11). Attach the right bottom panel(K) to the left side panel(D) with bolt(1) and flat washer(2) using l-type hexagon wrench(11).

Step 7



Attach the left side panel(B) to the top panel(A) and the left bottom panel(I) with bolt(②) and flat washer(③) using I-type hexagon wrench(⑪). Repeat the previous steps to the right side panel(E) .

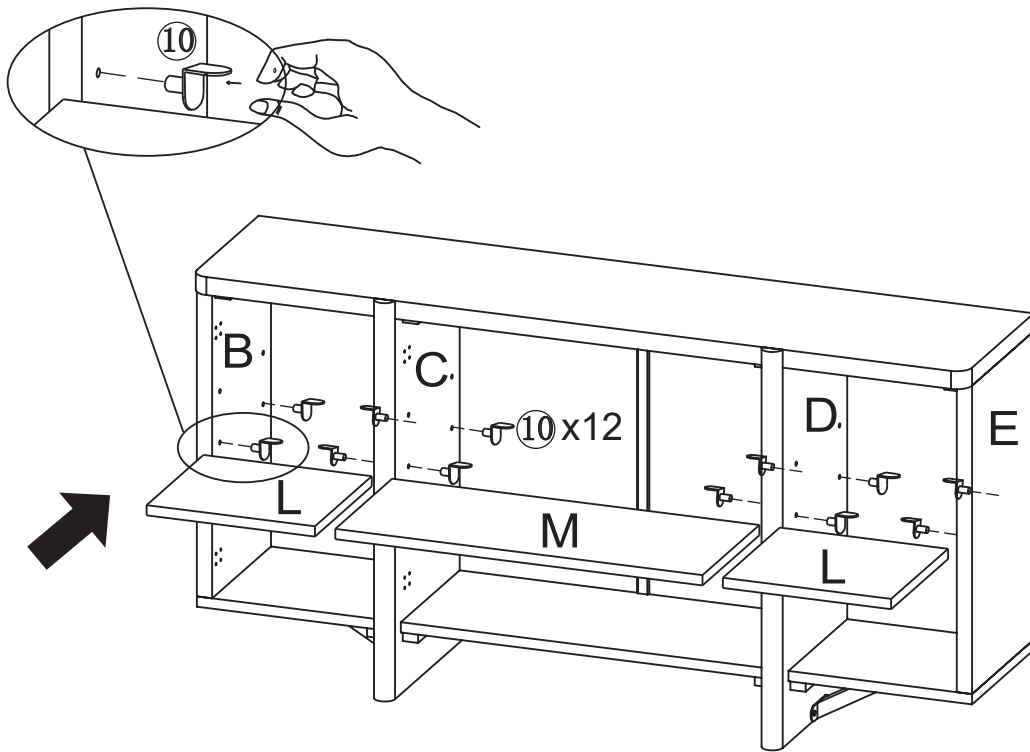
Step 8



Attach the metal support strip(⑧) to the left side panel(C) and the left bottom panel(I) with bolt(⑨) and flat washer(③) using I-type hexagon wrench(⑪). Repeat the previous steps to the right side panel(D) and the right bottom panel(K).

Step 9

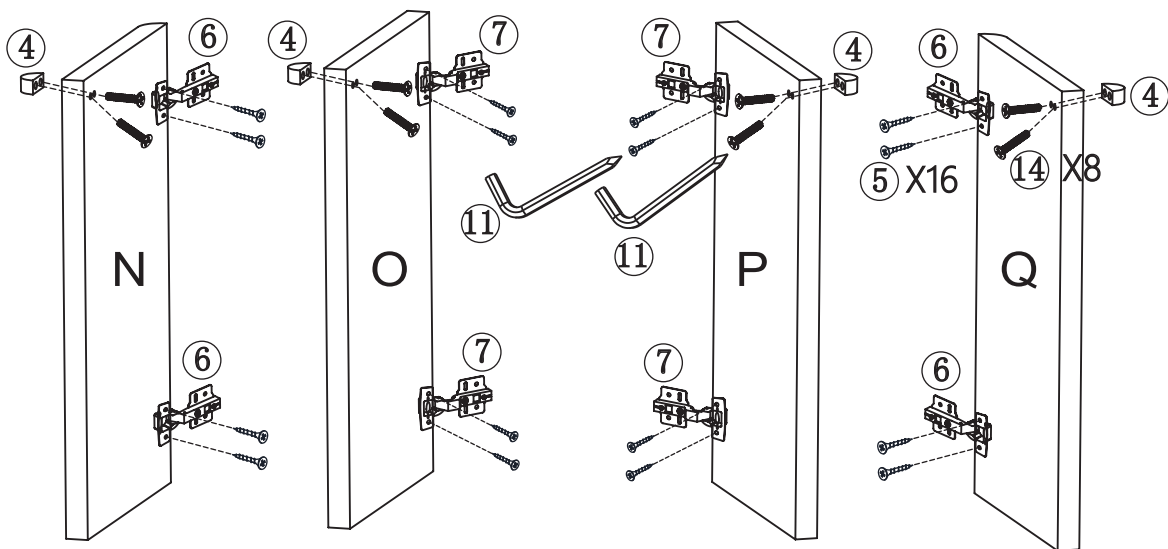
⑩ 10x12



Inset shelf pin(⑩) into the left side panel(B,C) and the right side panel(D,E). Put left & right adjustable panel(L) and middle adjustable panel(M) on the shelf pin(⑩).

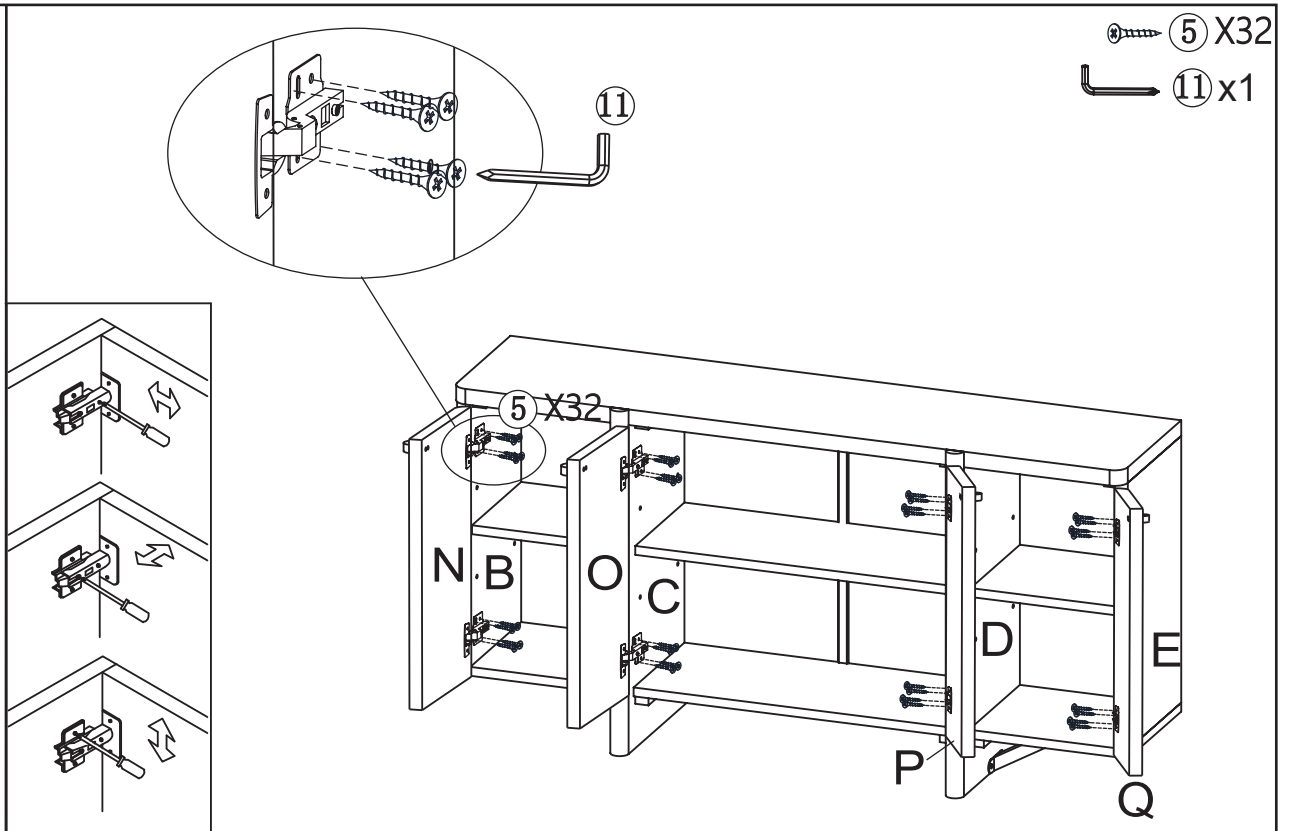
Step 10

⑥ X4 ⑭ X8
⑦ X4 ④ X4
⑪ x1 ⑤ X16



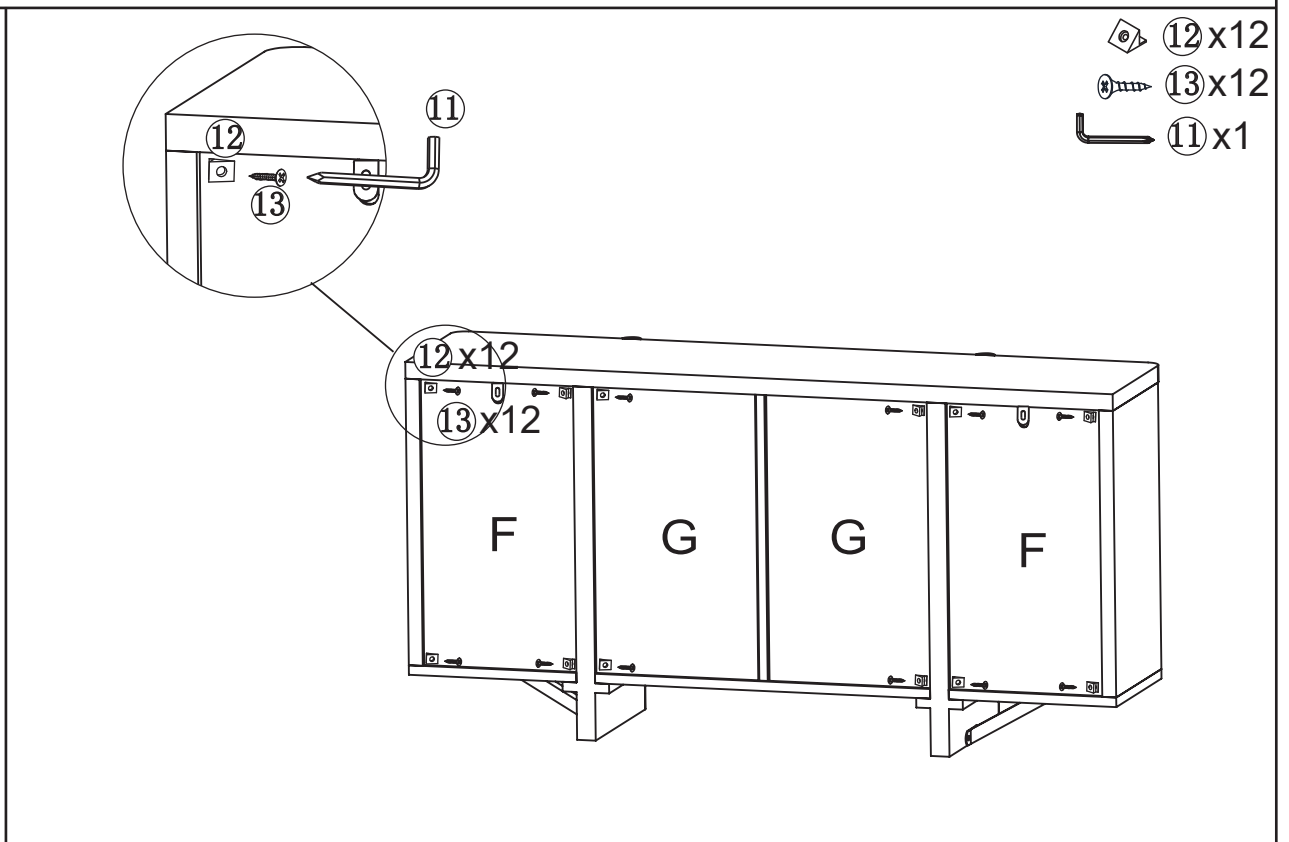
Attach hinge (⑥) to left door panel(N) and right door panel(Q) with screw(⑤) using I-type hexagon wrench(⑪).
Attach hinge (⑦) to left door panel(O) and right door panel(P) with screw(⑤) using I-type hexagon wrench(⑪).
Attach handle (④) to left door panel(N,O) and right door panel(P,Q) with bolt (⑭) using I-type hexagon wrench(⑪).

Step 11



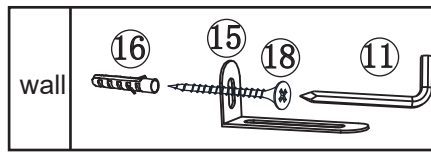
Attach left door panel(N,O) to left side panel (B,C) with screw(5) using L-type hexagon wrench(11). Repeat the previous steps to right door panel(P,Q) .

Step 12

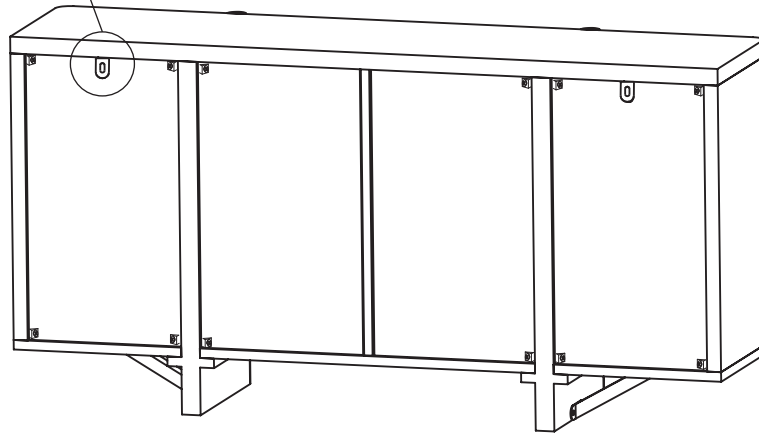


Attach plastic button(12) into the back panel(F,G) with screw(13) using L-type hexagon wrench(11).

Step 13

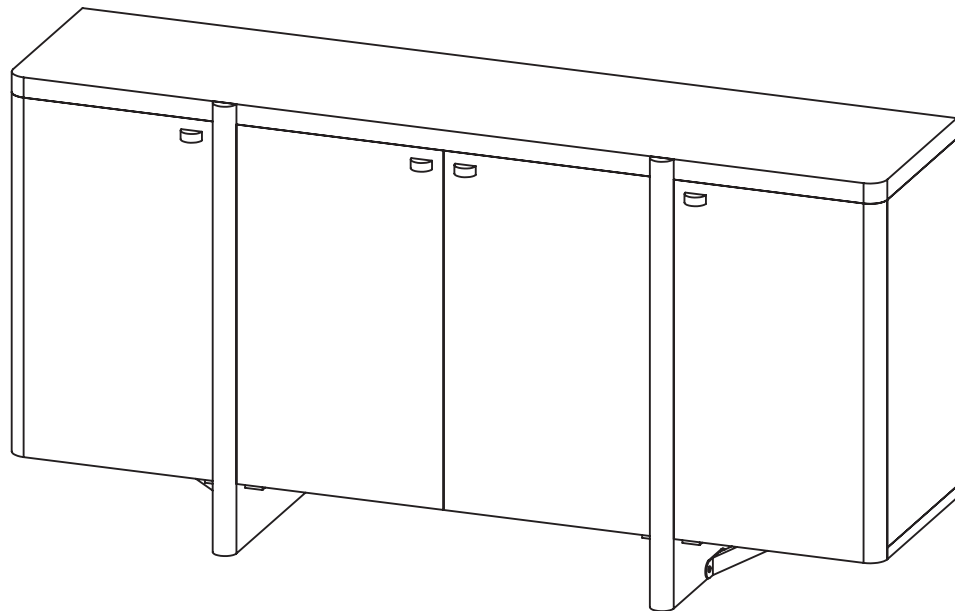


- ⑮ x2
- ⑯ x2
- ⑱ x2
- ⑲ x1



Screw the nut (⑯) into the wall. Install the short side of anti-tipping iron sheet (⑮) on the wall with screw (⑱) using L-type hexagon wrench (⑲).

Step 14



Your cabinet is ready for use.