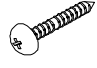
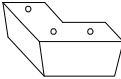

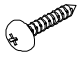
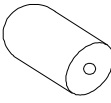
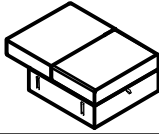
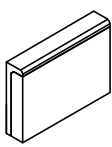
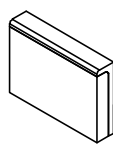


ASSEMBLY INSTRUCTION

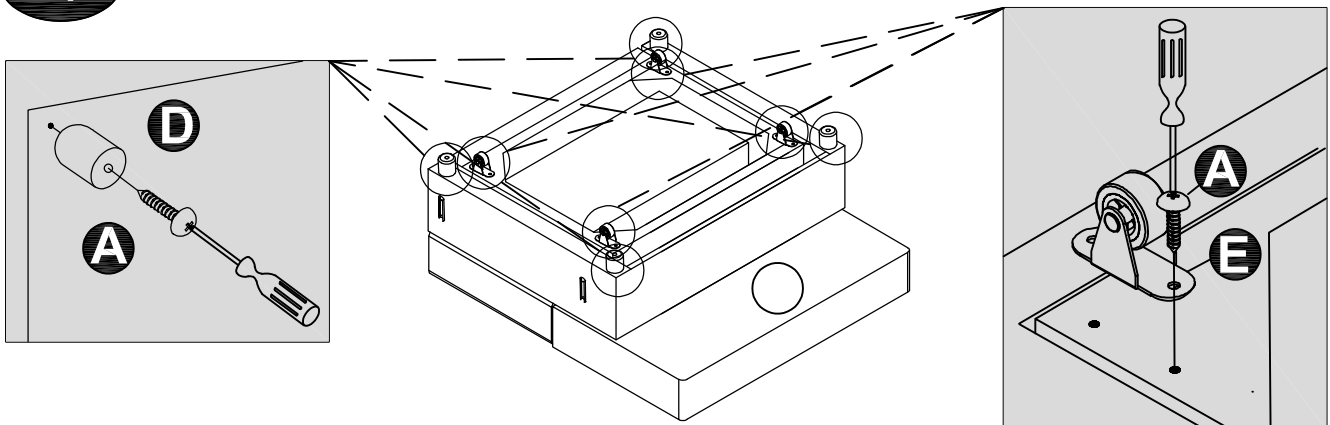
319895 PART LIST

A x16  Ø8x45MM	C x4 	E x4 
B x8  Ø8x25MM	D x4 	F x1 

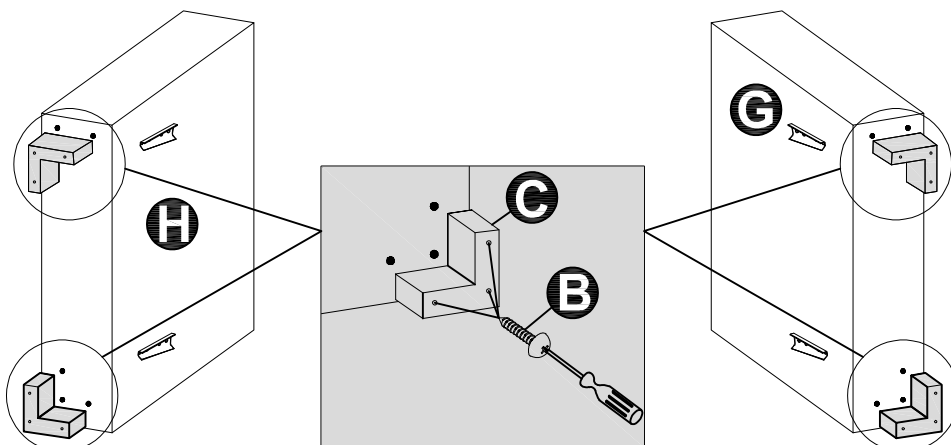
319899 PART LIST

G x1 	H x1 
---	---

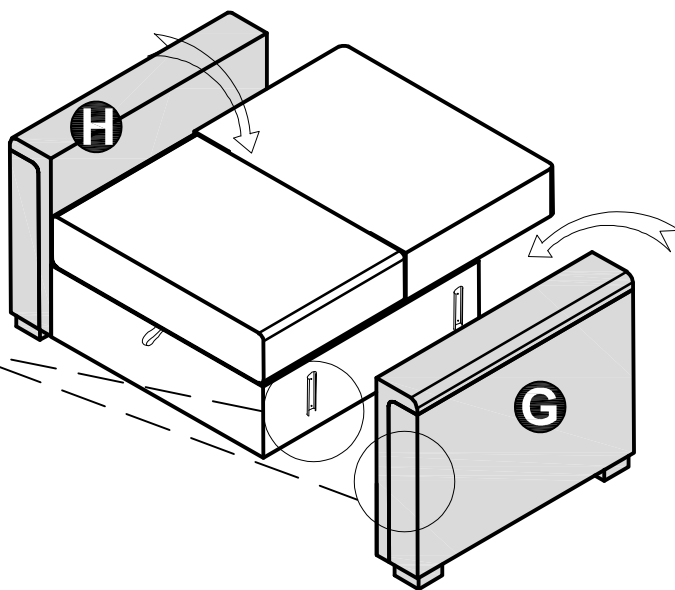
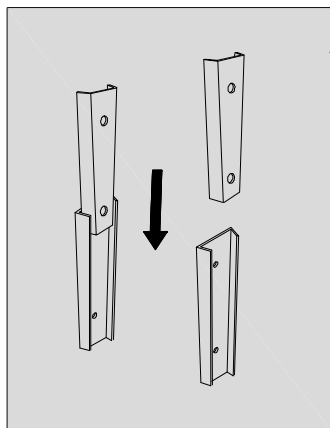
Step 1



Step 2



Step 3



Step 4

