

Catalog #		Date		Prepared by	
Project		Type		Notes	



HALO OUTDOOR

Solar Floodlight

The SFLS series solar powered outdoor security light provides the comfort of a security light, without the hassle of wiring a conventional fixture. Available in 700, 1000, 1500 and 2000 lumen motion activated fixture. Integrated LEDs are rated at 50,000 hours for maintenance free operation.

This product is perfect for wall or eave mount. Integrated 180-degree motion sensor automatically turns the light on when motion is detected (Dusk to Dawn). Polycrystalline solar panel with 16 ft. cord allows for optimal placement in direct sunlight for best performance.

This flood light is ideal for walkways, yards, patios, and driveways creating an inviting exterior space as well as providing safety and security. Available in bronze and white finishes.

Typical Applications

Outdoor Area/Site • Residential • Retail

Product Certification



Product Features



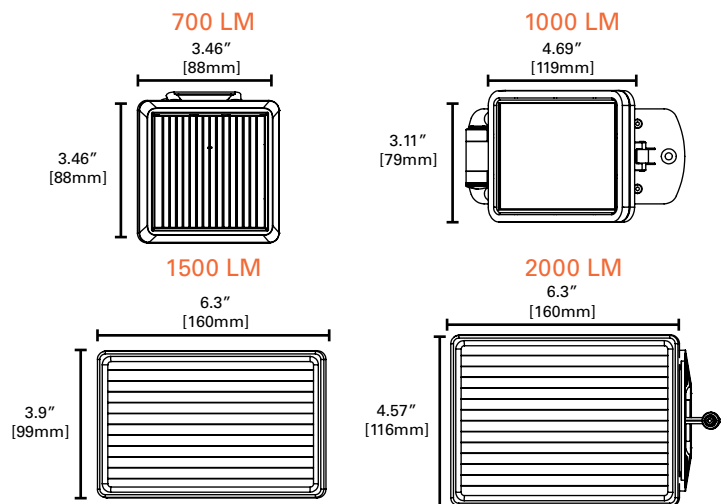
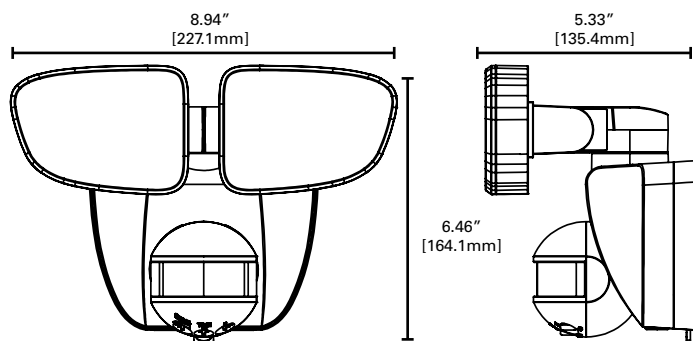
Interactive Menu

- Order Information [page 2](#)
- Product Warranty [page 2](#)
- Photometric Data [page 3](#)

Top Product Features

- Durable weather resistant polycarbonate construction
- Motion sensor automatically turns lights on when motion is detected
- Rechargeable Li-Ion battery pack included
- Available in textured bronze and white finish
- Dual light levels - Light comes on at full brightness and reduces to half if no motion is detected
- 3 Adjustable Time Out settings - 30s, 60s, & 90s
- 1-year warranty

Dimensional and Mounting Details



Order Information

SAMPLE ORDER NUMBER: **SLFS07AM2B**

Series	Lumens	Type	Configuration	Finish
SLFS=Solar Flood	07=700 Lumens (Nominal) 1=1000 Lumens (Nominal) 15=1500 Lumens (Nominal) 2=2000 Lumens (Nominal)	AM=Motion Flood	2=Twain Head	B=Bronze W=White

Product Specifications

Construction

- Durable polycarbonate housing suitable for wet locations
- One-handed adjustments to fixture head and motion sensor possible
- UV resistant finish ensures color won't fade over time
- Suitable for wall or eave mounting
- Mounting bracket included for simple installation

Optics

- Produces rated lumens when fully charged
- Frosted lens for even light distribution
- 4000K CCT perfect for security applications

Electrical

- 180° degree motion sensor with detection range up to 40ft
- 3 Adjustable motion sensor settings
- Adjustable auto timeout settings of 30s, 60s, & 90s
- Adjustable motion sensitivity
- Auto, Off, Test setting
- Battery Saver technology with Dual Brightness level. Fixture brightness reduces by half rated output after 50% of auto timeout setting reached
- Rotatable to allow for Wall or Eave mounting
- Red indicator light to alert if battery level is low

Compliance

- Contains no mercury or lead and RoHS compliant
- Photometric testing in accordance with IES LM-79-08
- Lumen maintenance projections in accordance with IES LM-80-08 and TM-21-11

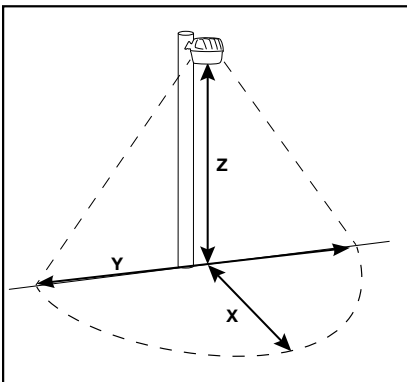
Finish

- Textured Bronze and White Finish

Warranty

- One year limited warranty
- Consult website for details cooperlighting.com/legal

Suggested Mounting Height



Minimum Footcandles (FC)		0.50 FC			
Mounting Height (Z)		10'		15'	
Catalog Number	Lumens	X	Y	X	Y
SLFS07AM2B	700	13.7'	20.2'	13'	18'
SLFS1AM2B	1000	13.7'	23'	16.2'	23.6'
SLFS15AM2B	1500	18.8'	27.6'	20.2'	29.9'
SLFS2AM2B	2000	20.7'	31.5'	23.1'	33.7'

X = Forward Throw
Y = Wall Spread
Z = Mounting Heights

Notes:
Forward throw X = 1/2 Y for wall-mount applications only
See IES files for detailed photometry

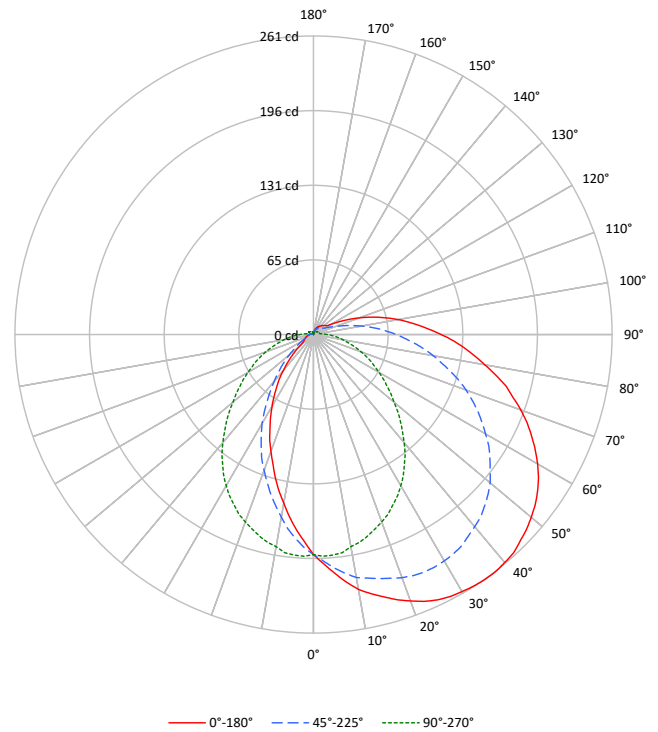
Photometric Data

Series	Voltage (V)	Delivered Lumens	Equivalency	Runtime	CCT	CRI	Controls
SLFS07AM2B	SOLAR	700	50W	70 MINS	4000K	80	180° MOTION SENSOR
SLFS07AM2W	SOLAR	700	50W	70 MINS	4000K	80	180° MOTION SENSOR

ZONAL LUMENS:

Zone	Lumens	% Fixture
0°-10°	18.2	2.6
10°-20°	51.5	7.4
20°-30°	77.6	11.1
30°-40°	92.6	13.2
40°-50°	96.2	13.7
50°-60°	92.1	13.2
60°-70°	82.5	11.8
70°-80°	67.1	9.6
80°-90°	49.0	7.0
90°-100°	32.0	4.6
100°-110°	18.4	2.6
110°-120°	9.3	1.3
120°-130°	5.2	0.7
130°-140°	3.6	0.5
140°-150°	2.4	0.3
150°-160°	1.4	0.2
160°-170°	0.6	0.1
170°-180°	0.1	0.0
<hr/>		
0°-30°	147.4	21.0
0°-40°	240.0	34.3
0°-60°	428.2	61.2
0°-90°	626.9	89.5
90°-120°	59.8	8.5
90°-150°	71.0	10.1
90°-180°	73.0	10.4
0°-180°	700.0	100.0

Luminous Intensity Polar Plot



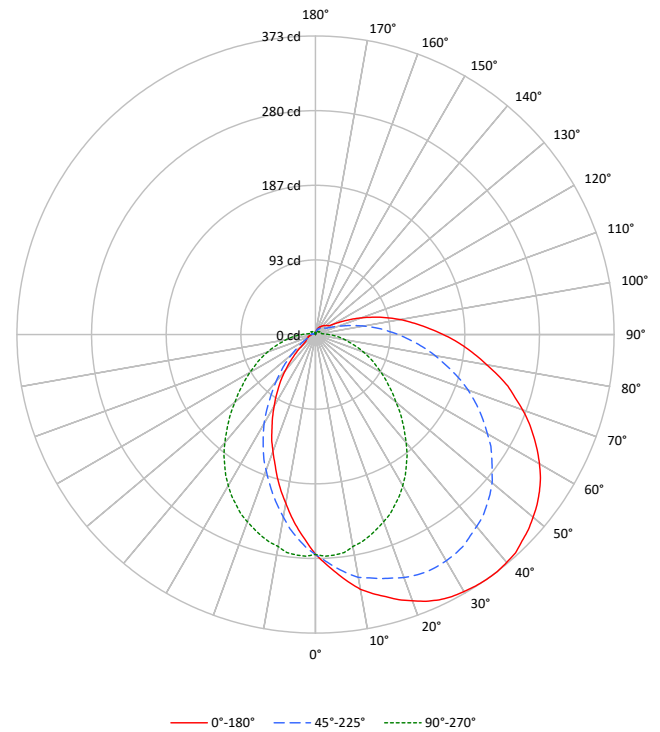
Photometric Data

Series	Voltage (V)	Delivered Lumens	Equivalency	Runtime	CCT	CRI	Controls
SLFS1AM2B	SOLAR	1000	70W	70 MINS	4000K	80	180° MOTION SENSOR
SLFS1AM2W	SOLAR	1000	70W	70 MINS	4000K	80	180° MOTION SENSOR

ZONAL LUMENS:

Zone	Lumens	% Fixture
0°-10°	26.0	2.6
10°-20°	73.6	7.4
20°-30°	110.9	11.1
30°-40°	132.3	13.2
40°-50°	137.4	13.7
50°-60°	131.5	13.2
60°-70°	117.9	11.8
70°-80°	95.9	9.6
80°-90°	70.0	7.0
90°-100°	45.7	4.6
100°-110°	26.3	2.6
110°-120°	13.3	1.3
120°-130°	7.4	0.7
130°-140°	5.2	0.5
140°-150°	3.4	0.3
150°-160°	2.0	0.2
160°-170°	0.9	0.1
170°-180°	0.1	0.0
<hr/>		
0°-30°	210.5	21.1
0°-40°	342.8	34.3
0°-60°	611.7	61.2
0°-90°	895.5	89.6
90°-120°	85.4	8.5
90°-150°	101.4	10.1
90°-180°	104.0	10.4
0°-180°	1000.0	100.0

Luminous Intensity Polar Plot



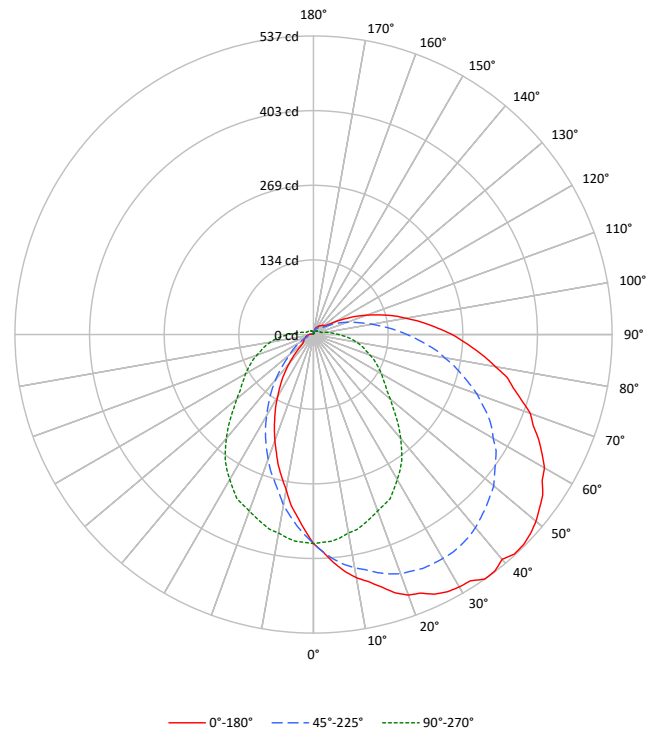
Photometric Data

Series	Voltage (V)	Delivered Lumens	Equivalency	Runtime	CCT	CRI	Controls
SLFS15AM2B	SOLAR	1500	100W	70 MINS	4000K	80	180° MOTION SENSOR
SLFS15AM2W	SOLAR	1500	100W	70 MINS	4000K	80	180° MOTION SENSOR

ZONAL LUMENS:

Zone	Lumens	% Fixture
0°-10°	35.5	2.4
10°-20°	100.9	6.7
20°-30°	153.5	10.2
30°-40°	186.3	12.4
40°-50°	197.2	13.1
50°-60°	195.0	13.0
60°-70°	180.6	12.0
70°-80°	152.0	10.1
80°-90°	115.4	7.7
90°-100°	78.7	5.2
100°-110°	47.8	3.2
110°-120°	25.3	1.7
120°-130°	12.7	0.8
130°-140°	8.2	0.5
140°-150°	5.6	0.4
150°-160°	3.5	0.2
160°-170°	1.6	0.1
170°-180°	0.3	0.0
<hr/>		
0°-30°	289.9	19.3
0°-40°	476.2	31.7
0°-60°	868.4	57.9
0°-90°	1316.4	87.8
90°-120°	151.9	10.1
90°-150°	178.3	11.9
90°-180°	184.0	12.3
0°-180°	1500.0	100.0

Luminous Intensity Polar Plot



Photometric Data

Series	Voltage (V)	Delivered Lumens	Equivalency	Runtime	CCT	CRI	Controls
SLFS2AM2B	SOLAR	2000	130W	70 MINS	4000K	80	180° MOTION SENSOR
SLFS2AM2W	SOLAR	2000	130W	70 MINS	4000K	80	180° MOTION SENSOR

ZONAL LUMENS:

Zone	Lumens	% Fixture
0°-10°	47.3	2.4
10°-20°	134.5	6.7
20°-30°	204.7	10.2
30°-40°	248.4	12.4
40°-50°	263.0	13.1
50°-60°	260.1	13.0
60°-70°	240.7	12.0
70°-80°	202.7	10.1
80°-90°	153.9	7.7
90°-100°	104.9	5.2
100°-110°	63.8	3.2
110°-120°	33.8	1.7
120°-130°	16.9	0.8
130°-140°	10.9	0.5
140°-150°	7.5	0.4
150°-160°	4.6	0.2
160°-170°	2.1	0.1
170°-180°	0.3	0.0
<hr/>		
0°-30°	386.5	19.3
0°-40°	634.9	31.7
0°-60°	1157.9	57.9
0°-90°	1755.2	87.8
90°-120°	202.5	10.1
90°-150°	237.7	11.9
90°-180°	245.0	12.3
0°-180°	2000.0	100.0

Luminous Intensity Polar Plot

