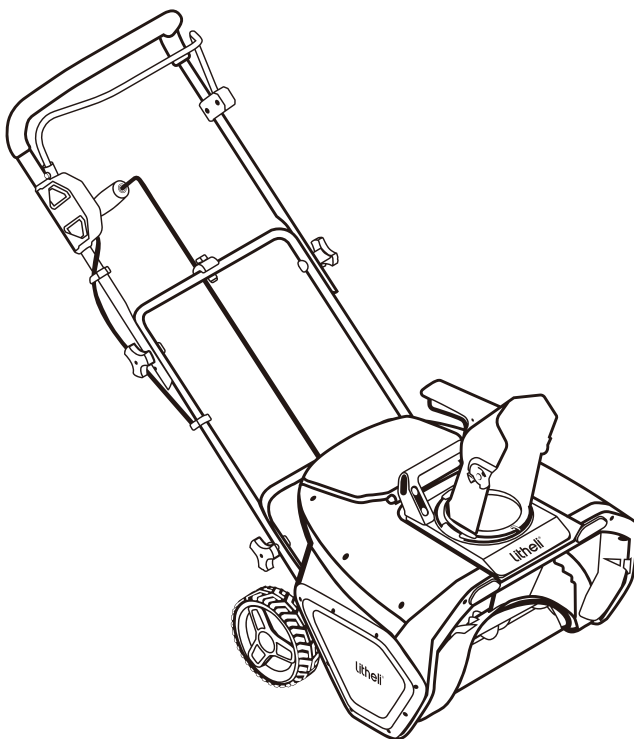


U20 2X20V 20" CORDLESS BRUSHLESS SNOW BLOWER

Model No.: U20SB01-0A220



WARNING:

To reduce the risk of injury, the user must read and understand the user manual before using this product. Save this manual for future reference.

TABLE OF CONTENTS




Safety Symbols	02
Important Safety Instructions	04
Know Your Tool	11
Charging Your Battery	13
Assembly	13
Operation	22
Maintenance	26
Storage	28
Troubleshooting	29
Warranty	30

READ ALL INSTRUCTIONS!















Safety Symbols






The purpose of safety symbols is to attract your attention to possible danger. The safety symbols and the explanations with them deserve your careful attention and understanding. The symbol warnings do not, by themselves, eliminate any danger. The instruction and warnings they give are no substitutes for proper accident prevention measures.

The following signal words and meanings are intended to explain the levels of risk associated with this product.

SYMBOL	SIGNAL	MEANING
	DANGER	Indicates a hazardous situation, which, if not avoided, will result in death or serious injury.
	WARNING	Indicates a hazardous situation, which, if not avoided, will result in death or serious injury.
	CAUTION	Indicates a hazardous situation, which, if not avoided, may result in death or serious injury.
	NOTICE	(Without Safety Alert Symbol) Indicates information considered important, but not related to a potential injury (e.g. messages relating to property damage).

Some of the following symbols may be used on this product. Please study them and learn their meaning. Proper interpretation of these symbols will allow you to operate the product better and safer.

Symbol	Description	Symbol	Description
	To reduce the risk of injury, user must read instruction manual.		Do not use in the rain or leave outdoors while it is raining.
	SAFETY ALERT - indicate a precaution, a warning or a danger.		Wear hearing protection.
	Wear eye protection.		Wear respiratory protection.
	Wear safety footwear.		Wear protective gloves.
	DANGER! Cutting hazard - Keep feet away from the rotating auger.		CAUTION! Beware of stones or other foreign objects that could be thrown from the appliance.
	To reduce the risk of injury, do not operate without guards in place		Indoor use only. Only Charging the battery indoors.
	Do not use hands to unclog the chute.		The rotating part will continuously run for several seconds after you turn off the machine.

	<p>Remove the battery from the snow thrower before carrying out any adjustment, servicing or maintenance.</p>		<p>DANGER! Cutting/dis-memberment hazard - Keep feet away from the rotating part.</p>
	<p>Batteries may enter water cycle if disposed of improperly, which can be hazardous to the ecosystem. Do not dispose of old batteries as unsorted municipal waste.</p>		<p>Do not burn the battery pack.</p>
	<p>Li-Ion battery. This product has been marked with a symbol relating to 'separate collection' for all battery packs and battery pack. It will then be recycled or dismantled in order to reduce the impact on the environment. Battery packs can be hazardous for the environment and for human health since they contain hazardous substances.</p>		

Important Safety Instructions

WARNING:

Only use the accessories that are provided with this product or the accessories approved by Litheli. Using other accessories might increase the risk of injury. Follow the instructions in this manual to properly use the accessories.

WARNING:

This product can expose you to chemicals including lead and Di (2-ethylhexyl) phthalate (DEHP) which are known to the State of California to cause cancer and birth defects or other reproductive harm. For more information go to www.P65Warnings.ca.gov.

⚠ WARNING:

When using electric gardening appliances, basic safety precautions should always be followed to reduce the risk of fire, electric shock, or injury to persons, including the following:

NOTICE: The "snow mover" in this chapter includes the snow blower as this product is so named.

Read All Instructions

1. Do not use on graveled surfaces unless the snow mover is adjusted for such a surface in accordance with the operator's manual.
2. Keep Children Away – All visitors should be kept at a safe distance from the work area.
3. Dress Properly – Do not wear loose clothing or jewelry. They can be caught in moving parts.
4. Wear rubber boots when operating the snow mover.
5. Operation of the snow mover in the hand-held position is unsafe, except in accordance with the special instructions for such use provided in the operator's manual.
6. Avoid Accidental Starting – Don't carry a plugged-in snow mover with finger on switch. Be sure switch is off when plugging in.
7. Keep hands away from moving parts.
8. Keep guards in place and in working order.
9. Don't Force Snow Mover – It will perform better and safer at the rate for which it was designed.
10. Don't Overreach – Keep proper footing and balance at all times.
11. If the snow mover strikes a foreign object, follow these steps:
 1. Stop snow mover. Release the switch.
 2. Remove the battery pack.
 3. Inspect for damage.
 4. Repair any damage before restarting and operating the snow mover.
12. Disconnect Snow Mover – Remove the battery pack from the snow mover when not in use, before servicing, when changing accessories, and the like.
13. Store Idle Snow Movers Indoors – When not in use, snow movers should be stored indoors in dry, locked-up place – out of reach of children.
14. Maintain Snow Movers With Care – Follow instructions for lubricating and changing accessories.

SAVE THESE INSTRUCTIONS

Safe Operation Practices for Walk-Behind Snow Blowers

This snow blower is capable of amputating hands and feet and throwing objects. Failure to observe the following safety instructions could result in serious injury.

Training

- 1.** Read, understand and follow all instructions on the machine and in the manual(s) before operating this unit. Be thoroughly familiar with the controls and the proper use of the equipment. Know how to stop the unit and disengage the controls quickly.
- 2.** Never allow children to operate the equipment. Never allow adults to operate the equipment without proper instruction.
- 3.** Keep the area of operation clear of all persons, particularly small children.
- 4.** Exercise caution to avoid slipping or falling, especially when operating the snow blower in reverse.

Preparation

- 1.** Thoroughly inspect the area where the equipment is to be used and remove all doormats, sleds, boards, wires, and other foreign objects.
- 2.** Do not operate the equipment without wearing adequate winter garments. Avoid loose-fitting clothing that can get caught in moving parts. Wear footwear that will improve footing on slippery surfaces.
- 3.** Adjust the collector housing height to clear gravel or crushed rock surface.
- 4.** Never attempt to make any adjustments while the motor is running (except when specifically recommended by the manufacturer).
- 5.** Always wear safety glasses or eye shields during operation or while performing an adjustment or repair to protect eyes from foreign objects that may be thrown from the machine.

Preparation

- 1.** Do not put hands or feet near or under rotating parts. Keep clear of the discharge opening at all times.
- 2.** Exercise extreme caution when operating on or crossing gravel drives, walks, or roads. Stay alert for hidden hazards or traffic.
- 3.** After striking a foreign object, stop the motor, remove the battery pack from the machine, thoroughly inspect the snow blower for any damage, and repair the damage before restarting and operating the snow blower.

4. If the unit should start to vibrate abnormally, stop the motor and check immediately for the cause. Vibration is generally a warning of trouble.
5. Stop the motor whenever you leave the operating position, before unclogging the collector/impeller housing or discharge guide, and when making any repairs, adjustments or inspections.
6. When cleaning, repairing or inspecting the snow blower, stop the motor and make certain the collector/impeller and all moving parts have stopped. Remove the battery pack from the machine to prevent accidental starting of the motor.
7. Do not clear snow across the face of slopes, or in an up-and-down fashion. Exercise extreme caution when changing directions on slopes. Do not attempt to clear steep slopes.
8. Never operate the snow blower without proper guards, and other safety protective devices in place.
9. Never direct the discharge toward people or areas where property damage can occur. Keep children and others away.
10. Do not overload the machine capacity by attempting to clear snow at too fast a rate.
11. Never operate the machine at high transport speeds on slippery surfaces. Look behind and use care when operating in reverse.
12. Never direct discharge at bystanders or allow anyone in front of the unit.
13. Disengage power to the collector/impeller when snow blower is transported or not in use.
14. Use only attachments and accessories approved by the manufacturer of the snow blower (such as wheel weights, counterweights, or cabs).
15. Never operate the snow blower without good visibility or light. Always be sure of your footing, and keep a firm hold on the handles. Walk; never run.

Clearing a Clogged Discharge Chute

Hand contact with the rotating impeller inside the discharge chute is the most common cause of injury associated with snow blowers. Never use your hand to clean out the discharge chute:

To clear the chute:

1. SHUT THE MOTOR OFF! Remove the battery.
2. Wait 10 seconds to be sure the impeller blades have stopped rotating.
3. Always use a clean-out tool, not your hands.

Maintenance and Storage

- 1.** Check all the bolts at frequent intervals for proper tightness to be sure the equipment is in safe working condition.
- 2.** Always refer to operator's manual for important details if the snow blower is to be stored for an extended period.
- 3.** Maintain or replace safety and instruction labels, as necessary.
- 4.** Run the machine a few minutes after throwing snow to prevent freeze-up of the collector/impeller.

Additional Safe Operation Practices for Snow Blower

A.1 . Safety Instructions

A.1.1 Training

The following should be carried out for training:

- a.** Read the operating and service instruction manual carefully. Be thoroughly familiar with the controls and the proper use of the equipment.
- b.** Never allow children to operate a power snow blower.
- c.** Keep the area of operation clear of all persons, particularly small children, and pets.
- d.** Do not use a snow blower for any job except that for which it is intended.

A.1.2 Preparation

The following preparations should be carried out:

- a.** Thoroughly inspect the area where the equipment is to be used and remove all stones, sticks, wires, bones, and other foreign objects.
- b.** Do not operate the equipment when barefoot or wearing open sandals. Always wear substantial footwear.
- c.** Work only in daylight or in good artificial light.
- d.** Always be sure of your footing; keep a firm hold on the handle and walk, never run.

A.1.3 Operation

During operation, the following should be observed:

- a.** Do not put hands or feet near or under rotating parts. Keep clear of the discharge opening at all times. Stop the auger when crossing gravel drives, walks, or roads.
- b.** After striking a foreign object, stop the motor, remove the battery pack, thoroughly inspect the machine for any damage, and repair the damage before restarting and operating.

- c. If the equipment should start to vibrate abnormally, stop the motor and check immediately for the cause. Vibration is generally a warning of trouble.
- d. Stop the motor and remove the battery pack whenever leaving the equipment, before cleaning the rotor housing, and before making any repairs or inspections.
- e. Do not clear snow across the face of slopes, or in an up-and-down fashion. Exercise extreme caution when changing directions on slopes. Do not attempt to clear steep slopes.
- f. Never operate the snow blower without proper guards, plates, or other safety protective devices in place.
- g. Do not wash with a hose; avoid getting water in the motor and electrical connections.

A.1.4 Maintenance

The following maintenance measures should be carried out:

- a. Check the scraper/auger and the mounting bolts at frequent intervals for proper tightness.
- b. Keep all nuts, bolts, and screws tight to be sure the equipment is in safe working condition.
- c. Replace the auger if it is bent or cracked. An unbalanced auger causes vibrations that could damage the motor drive unit or cause personal injury.
- d. Clean the auger thoroughly and check its balance by supporting it horizontally on a thin nail through its center hole. The nail should also be in a horizontal position. If either end of the auger rotates downward, remove some plastic from the heavy or lower end until the auger is balanced. It is balanced when neither end drops.

SAFETY WARNINGS FOR BATTERY PACK

- 1. Prevent unintentional starting. Ensure the switch is in the off-position before connecting to battery pack, picking up or carrying the appliance. Carrying the appliance with your finger on the switch or energizing appliance that have the switch on invites accidents.**
- 2. Disconnect the battery pack from the appliance before making any adjustments, changing accessories, or storing appliance. Such preventive safety**
- 3. measures reduce the risk of starting the appliance accidentally**
Recharge only with the charging cable and charger (not Included) specified by the manufacturer. A charger that is suitable for one type of battery pack may create a risk of fire when used with another battery pack.

- 4. Use appliances only with specifically designated battery packs. Use of any other battery packs may create a risk of injury and fire.**
- 5. When battery pack is not in use, keep it away from other metal objects, like paper clips, coins, keys, nails, screws or other small metal objects, that can make a connection from one terminal to another. Shorting the battery terminals together may cause burns or a fire.**
- 6. Under abusive conditions, liquid may be ejected from the battery; avoid contact. If contact accidentally occurs, flush with water. If liquid contacts eyes, additionally seek medical help.**
Liquid ejected from the battery may cause irritation or burns. (This advice is considered correct for conventional NiMh, NiCd, lead acid and lithium-ion cell types. If this advice is incorrect for a cell design that differs from these, then the correct advice may be substituted.)
- 7. Do not use a battery pack or appliance that is damaged or modified. Damaged or modified batteries may exhibit unpredictable behavior resulting in fire, explosion or risk of injury.**
- 8. Do not expose a battery pack or appliance to fire or excessive temperature. Exposure to fire or temperature above 130°C may cause explosion.**
- 9. Follow all charging instructions and do not charge the battery pack or appliance outside of the temperature range specified in the instructions. Charging improperly or at temperatures outside of the specified range may damage the battery and increase the risk of fire.**
- 10. Have servicing performed by a qualified repair person using only identical replacement parts. This will ensure that the safety of the product is maintained.**
- 11. Do not modify or attempt to repair the appliance or the battery pack (as applicable) except as indicated in the instructions for use and care.**
- 12. Do not expose a battery pack or appliance to fire or excessive temperature. Exposure to fire or temperature above 265°F (130°C) may cause explosion.**
- 13. Do not short-circuit a battery pack. Do not store battery packs haphazardly in a box or drawer where they may short-circuit each other or be short-circuited by other metal objects. When battery pack is not in use, keep it away from other metal objects, like paper clips, coins, keys, nails, screws or other small metal objects, that can make a connection from one terminal to another. Shorting the battery terminals together may cause burns or fire.**

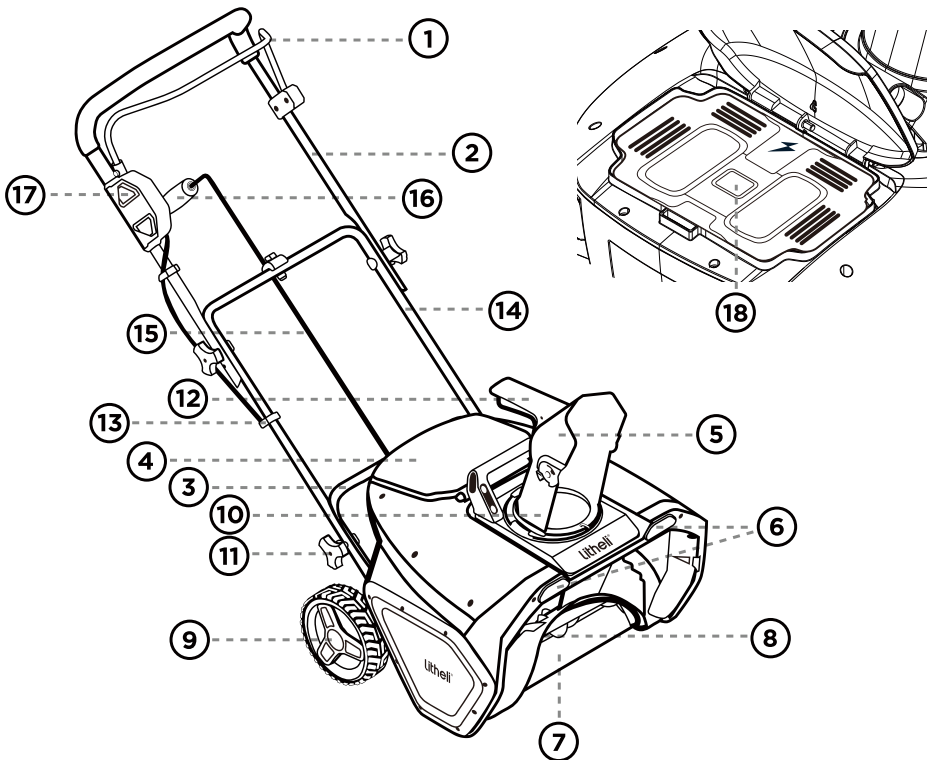
14. Do not subject battery pack to mechanical shock.
15. Observe the plus (+) and minus (-) marks on the battery back and equipment and ensure correct use.
16. Keep battery pack out of the reach of children.
17. Always purchase the battery pack recommended by the device manufacturer for the equipment.
18. Keep battery pack clean and dry.
19. Wipe the battery pack terminals with a clean dry cloth if they become dirty.
20. Battery packs need to be charged before use. Always use the correct charging cable and refer to the manufacturer's instructions or equipment manual for proper charging instructions.
21. Do not leave battery pack on prolonged charge when not in use.
22. After extended periods of storage, it may be necessary to charge and discharge the battery pack several times to obtain maximum performance.
23. Battery pack gives its best performance when it is operated at normal room temperature (20 °C 3 5 °C).
24. Use only the battery pack in the application for which it was intended. Do not use a battery pack or appliance that is damaged or modified. Damaged or modified batteries may exhibit unpredictable behavior resulting in fire, explosion or risk of injury.
25. Remove the battery pack from the equipment when not in use.
26. Dispose of properly.
27. Do not charge the battery pack outdoors, in rain, or in wet locations.
28. Recharge only with the charging cable specified by the manufacturer. A charging cable that is suitable for one type of battery pack may create a risk of fire when used with another battery pack.
29. Use power tools only with specifically designated battery packs. Use of any other battery packs may create a risk of injury and fire.
30. Under abusive conditions, liquid may be ejected from the battery; avoid contact. If contact accidentally occurs, flush with water. If liquid contacts eyes, additionally seek medical help. Liquid ejected from the battery may cause irritation or burns.

Save these instructions.

Refer to them frequently and use them to instruct others who may use this tool. If you lend this tool to someone else, also lend these instructions to them to prevent misuse of the product and possible injury.

Know Your Tool

- 1. Operating Bail
- 2. Upper Handle
- 3. Lower Handle
- 4. Battery Pack Cover
- 5. Discharge Chute Deflector
- 6. LED Lights
- 7. Scraper Blade
- 8. Auger
- 9. Wheel
- 10. Discharge Chute
- 11. Handle Locking Knob + Locking Bolt
- 12. Discharge Chute Deflector Handle
- 13. Cable Clip
- 14. Middle Handle
- 15. Chute Rotation Lever
- 16. Chute Rotation Lever Handle
- 17. Lock-off Button
- 18. Battery Pack Release Button



Technical Data

Model No.	U20SB01-0A220
Supplier Model No. For Certification	EGT090031
Voltage	40V
No-load Speed	2300RPM±10%rpm (Max)
Clearing Width	20" (508mm)
Snow Intake Height / Depth	12"(300mm)
Front Throwing Distance	>19.7ft (6m)
Front Throwing Height	>9.8ft (3m)
Machine Weight (Battery Excluded)	<34.2 \underline{L} bs (15.5kg)

ACCESSORIES

Model No.	U20SB01-0A220
Battery Pack	2 (U20BY02/D01104600/EBP000137)
Cable Clip	2
Hex Screw & Hex Wrench	1 Sets
Handle Locking Knob and Bolt	4 Sets
Chute Rotation Lever	1
Cotter Pin	1
Upper Handle	1

Middle Handle	1
Discharge Chute	1

Charging Your Battery

WARNING:

Charge the battery in a dry and ventilated room, far away from combustibles and ignition sources.

NOTICE:

The charger is not supplied with this appliance. You should prepare a charger to work with the supplied charging cable for charging. Make sure the charger meets the charging requirements of the battery pack. If you have any questions, please contact Litheli Customer Service for assistance.

NOTICE:

Lithium-ion batteries are shipped partially charged. Before using it the first time, fully charge the battery.

NOTICE:

Please refer to the Charging Your Battery section of the battery pack manual for details of the indicated lights display and charging considerations.

Assembly

WARNING:

To prevent accidental starting that could cause serious personal injury, always remove the battery pack from the tool when assembling parts.

WARNING:

Do not attempt to modify this tool or create accessories not recommended for use with this tool. Any such alteration or modification is misuse and could result in a hazardous condition leading to serious injury.

WARNING:

Do not attempt to start the tool before it has been completely assembled.

UNPACKING

- This product requires assembly.
- Remove all the items from the carton. Make sure that all items listed in the parts list are included.
- Inspect the product carefully to make sure that no breakage or damage occurred during shipping.
- Do not discard the packing material until you have carefully inspected and satisfactorily operated the tool.
- If any parts are damaged or missing, please return the tool to the place of purchase.

ASSEMBLING THE MIDDLE HANDLE AND THE UPPER HANDLE

- Assembling the middle handle

1. Attach the middle handle onto the lower handle. Align the hole on middle handle with the hole on lower handle at either side. Make sure the bracket (a) on the middle handle is facing downwards as shown in Fig. 1.

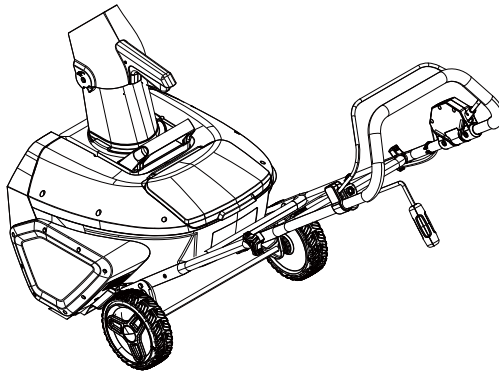


Fig. 1

2. Insert the handle locking bolt through the aligned holes from the inner side of the middle handle. Then insert the handle locking knob into the end of the bolt from the outside of the lower handle. (See Fig. 2)

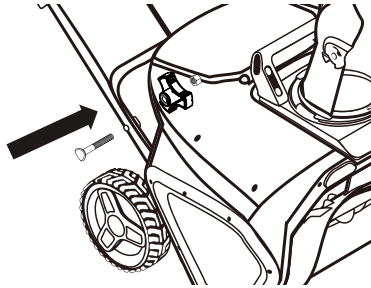


Fig. 2

3. Turn the locking knob clockwise to tighten. Do not over tighten. (See Fig. 3)
4. Use the same procedure to install the handle locking bolt and knob on the opposite side.

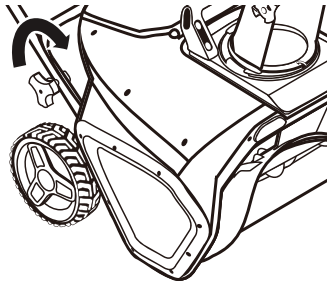


Fig. 3

- Assembling the upper handle

1. Attach the upper handle onto the middle handle. Choose an appropriate hole on the upper handle as required. Insert the handle locking bolt through the aligned holes from the inner side of the upper handle. Then insert the handle locking knob into the end of the bolt from the out side of the middle handle. (See Fig. 4)

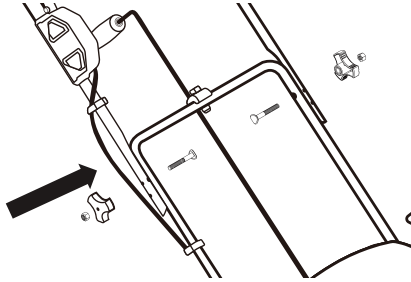


Fig. 4

3. Turn the locking knob clockwise to tighten. Do not over tighten. (See Fig. 5)

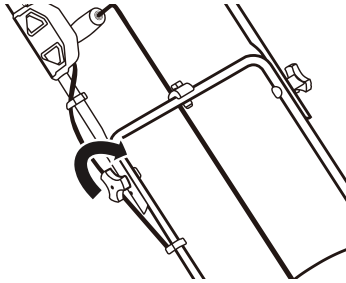


Fig. 5

4. Use the same procedure to install the handle locking bolt and knob on the opposite side.

NOTICE:

- After assembly is complete, pull on the handle to verify that it is securely locked in place
- If the handle is not fully tightened, turn the handle locking knob clockwise until it reaches its limit stop.

USING THE CABLE CLIPS

Fix the power cable onto the upper handle and middle handle with the cable clips. (See Fig. 6)

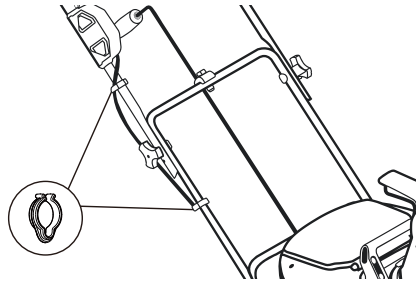


Fig. 6

ASSEMBLING THE CHUTE ROTATION LEVER

NOTICE:

Make sure the chute rotation lever rests below the middle handle.

- 1.** Remove the cotter pin (c) from the opening (b) at the back of the housing. (See Fig. 7)
- 2.** Slide the chute rotation lever through the bracket on the middle handle. Make sure the crank of the chute rotation lever faces downwards. And then insert the chute rotation lever into the hole of the opening at the back of the housing. (See Fig. 8)
- 3.** Using the cotter pin to secure the chute rotation lever in place. (See Fig. 9)

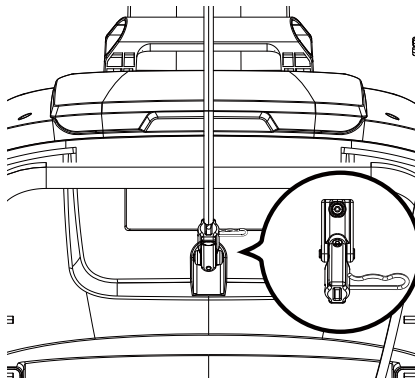


Fig. 7

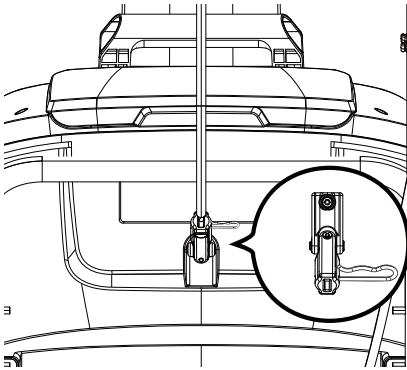


Fig. 8

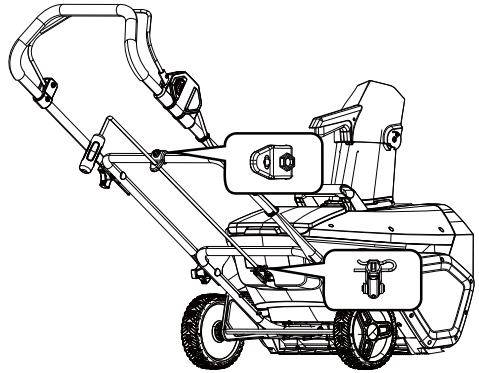


Fig. 9

ASSEMBLING THE DISCHARGE CHUTE

1. Align the bottom edge of the discharge chute with the 3 tabs (d) on the upper side of the machine body. Slide the discharge chute into the tabs. (See Fig. 10)

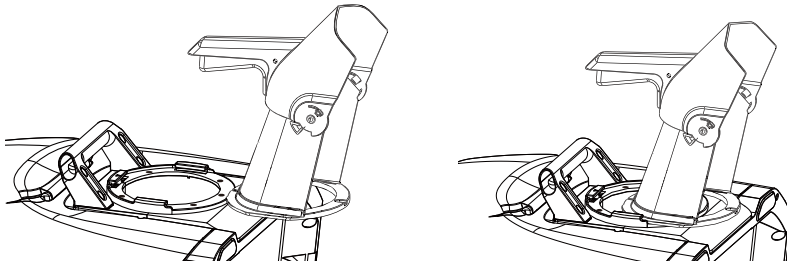


Fig. 10

2. Use the provided hex wrench to secure the discharge chute in place with the provided screw. (see Fig. 11)

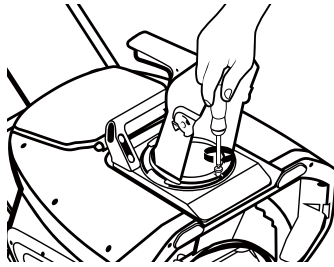


Fig. 11

NOTICE:

When attaching, make sure the discharge chute is fully seated into position. After assembly, gently pull it outwards to make sure it is locked into position securely.

ASSEMBLING THE CHUTE ROTATION LEVER

⚠ WARNING:

ALWAYS stop the machine before making any adjustments.

⚠ WARNING:

Never direct the snow discharge chute at the operator, at bystanders, at vehicles or at nearby windows. The discharged snow and foreign objects accidentally picked up by the snow blower can cause serious damage and personal injury. Always orient the discharge chute in the opposite direction from where you, bystanders, surrounding vehicles, or windows are located.

⚠ WARNING:

Make sure that the chute deflector snaps and locks completely onto the discharge chute. An opening between the discharge chute and the chute deflector may allow foreign objects to be picked up by the snow blower and thrown in the direction of the operator causing serious bodily injury. Do not advance the chute deflector too far forward causing an opening to appear between the chute deflector and discharge chute.

The discharge chute can be adjusted to change the snow discharge direction. You can either use the chute rotation lever or the discharge chute deflector handle to turn the discharge chute around up to 180°.

- Using the chute rotation lever (See Fig. 12)

Grip the chute rotation lever handle to turn the chute rotation lever to the left or right.



Fig. 12

- Using the chute deflector handle (See Fig. 13)

Grip the discharge chute deflector handle and hold it, and rotate the discharge chute to the left or right.

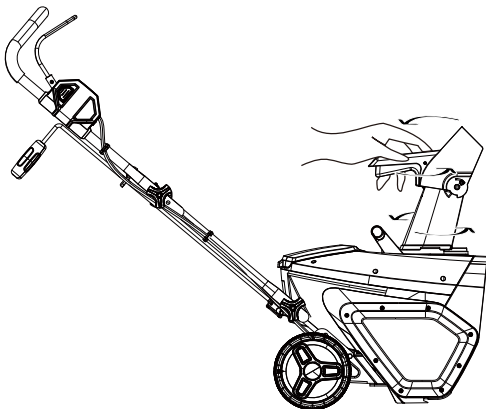


Fig. 13

ADJUSTING THE SNOW DISCHARGE HEIGHT

You can change the snow discharge height by moving the discharge chute deflector upwards or downwards. The chute deflector can be adjusted in 8 positions. (See Fig. 14)

To adjust the height of snow discharge, hold and squeeze the discharge chute deflector handle, and then move the handle upwards or downwards. The discharge chute deflector will be raised or lowered afterwards. Choose one from the 8 positions as required, release the chute deflector handle to engage into the required position and lock the chute deflector in place. (See Fig. 15)

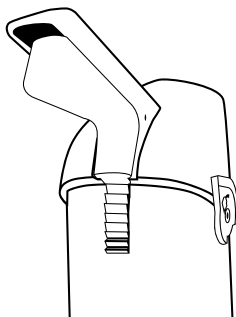


Fig. 14

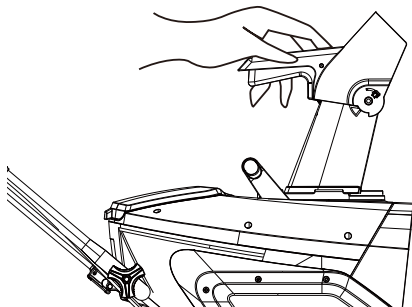


Fig. 15

INSTALLING OR REMOVING THE BATTERY PACK

NOTICE:

This snow blower will only run with 2 batteries installed. It is recommended to use 2 same batteries and charge the 2 batteries at the same time.

NOTICE:

1. Open the compartment cover, and slide the 2 battery packs into the port inside the compartment. Push to the end with sufficient force until the battery packs click to lock in place. (Fig. 16)
2. Close the compartment cover.

NOTICE:

The battery can only be installed in one way.

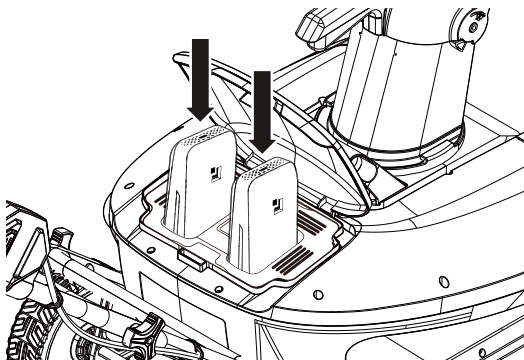


Fig. 16

To remove:

1. Open the compartment cover.
2. Depress the battery pack release button, then pull the 2 battery packs one by one out from the battery compartment. (Fig. 17)

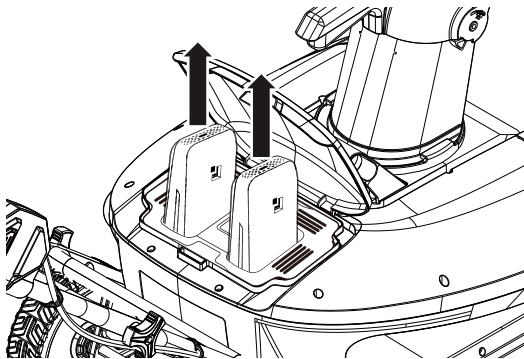


Fig. 17

Operation

INTENDED USE

This snow blower is intended for snow blowing and is only for outdoor use.

⚠ WARNING:

Do not allow familiarity with this product to make you careless. Remember that a careless fraction of a second is sufficient to inflict serious injury.

⚠ WARNING:

Do not use any attachments or accessories not recommended by the manufacturer of this product. The use of attachments or accessories not recommended can result in serious personal injury.

⚠ WARNING:

Keep the area to be cleared free of stones, toys or other foreign objects that the auger might pick up and throw. Such items could be covered by snow and are easy to overlook, so be sure to conduct a thorough inspection of the area before beginning work.

STARTING/STOPPING THE BLOWER

NOTICE:

Before each use, check and make sure all fasteners on the snow blower (screws, bolts, etc.) are fully tightened. Check the scraper blade and the auger for wear and tear at regular intervals.

To start the snow blower:

⚠ WARNING:

When starting, make sure the operator and the snow blower must be in a stable position.

Depress and hold the lock-off button with one hand, and then pull the operating bail towards you with another hand. Once the machine is switched on, you can release the lock-off button. (See Fig. 18)

NOTICE:

The snow blower can only be started by depressing the lock-off button first, followed by squeezing the operating bail; reverse operation will not start the machine.

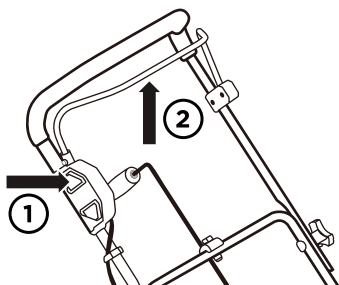


Fig. 18

To stop the snow blower:

Just release your grip on the operating bail to stop the machine.

LED LIGHTS

The snow blower is equipped with 2 LED lights that are used to illuminate the dark area. The LED lights will automatically turn on when the snow blower is switched on, and will automatically turn off when the snow blower is turned off. (See Fig. 19)

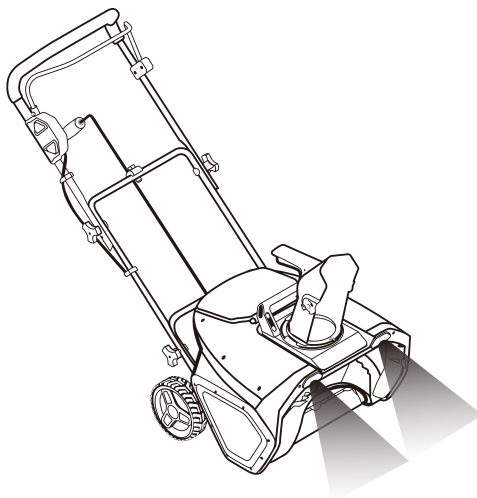


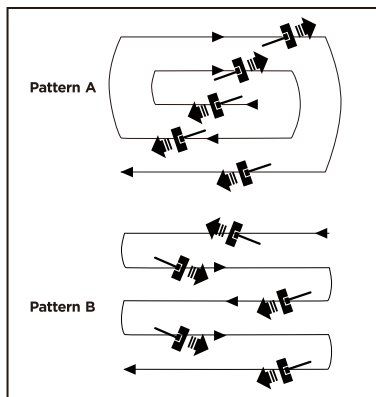
Fig. 19

OPERATING TIPS

- a. Keep the area of operation free of foreign objects that can be thrown by the snow blower. Perform a thorough inspection of the area, as some objects may be hidden from view or buried in the snow.
- b. Keep children, pets, and bystanders away from the area of operation. Be aware that the normal noise of the unit when turned on may make it difficult for you to hear approaching people.
- c. When turning the snow blower, use the wheel on one side as the pivot point. Slightly tilt the machine on this pivot point to move it to the left or right.
- d. Start your clearing path outward, throwing snow in a back-and-forth motion. To clear in the opposite direction, pivot the snow blower on its wheel. Make sure to overlap clearing paths.
- e. Note the direction of the wind before beginning. If possible, move in the same direction as the wind so that the snow is not thrown against the wind (and thus back into your face and on the cleared path).
- f. Do not push the snow blower with excessive force. You should push the unit gently and evenly in accordance with the unit's throw rate.
- g. Some parts of the snow blower may freeze under extreme temperature conditions. Do not attempt to operate the snow blower with frozen parts. If the parts freeze while the snow blower is in use, stop the snow blower, remove the battery packs, and inspect for frozen parts. Free all parts before restarting or operating the snow blower. Never force controls that are frozen.
- h. Operate the snow blower on level surfaces. Stay off slippery surfaces.
- i. Cold Weather Operation: Lithium-ion batteries can be safely used within temperatures ranging from 1.4°F (-17°C) to 113°F (45°C). Note: Do not store or charge battery packs outside. Battery packs must be charged and stored indoors prior to the use of the snow blower.
- j. If the snow blower does not start, remove the battery packs from snow blower. Charge the battery and allow it to charge for 10 minutes. Then install the battery in snow blower for use. The start-up issue may be caused by the battery packs being too cold. To avoid this issue, ensure that the battery is stored in a dry, cool place for storage and charging and remains indoors until ready to use.
- k. For larger areas, a definite pattern of operation is required to thoroughly clean an area of snow. These patterns will not only avoid throwing snow in unwanted places but will also eliminate the need for a second removal of snow. (Fig. 20)

Pattern A: Throw the snow from right to left where possible. For areas such as a long driveway, it is advantageous to start in the middle. Blow from one end to the other, throwing snow to both sides.

Pattern B: If the snow can only be thrown to one side of the area to be cleared, start on the opposite side.



For Best Performance

- For complete snow removal, walk slowly and slightly overlap each path previously taken.
- Position discharge chute downwind when possible.
- Do not allow unit to ingest gravel and rocks. Push the upper handle down slightly over loose surfaces to avoid ingesting debris.
- Inspect auger before each use and remove any accumulation/debris. DO NOT use hands to clear.
- Clean the unit after each use.

Maintenance

WARNING:

When servicing, use only identical replacement parts. Use of any other parts may create a hazard or cause product damage. To ensure safety and reliability, all repairs should be performed by a qualified service technician.

⚠ WARNING:

To prevent serious personal injury, remove the battery pack from the tool before servicing, cleaning, changing add-on attachments or removing material from the unit.

⚠ WARNING:

For the user's safety, worn or damaged parts must be replaced. Replace with original replacement parts only.

GENERAL MAINTENANCE TIPS

- a.** Do not attempt to repair the machine unless you have the proper tools and instructions for disassembly and repair of the machine.
- b.** Check bolts, screws and fasteners at frequent intervals for proper tightness to ensure that the machine is in safe working condition.
- c.** After each snow removal session, run the snow blower for a few minutes to prevent the auger from freezing. Shut off the motor, wait for all revolving parts to stop completely, and wipe residual ice and snow off of the machine. Rotate the chute rotation lever several times to remove any excess snow.

CLEANING

Regular cleaning and maintenance of your snow blower will ensure efficiency and prolong the life of the product.

- After each use, use a soft-bristled brush to take apart and clean out the ice and debris from the auger, the discharge chute and the scraper blade. **DO NOT** use your hand to clean.
- Remove deposits on the wheels.
- Wipe clean with a soft cloth soaked with water and a soft brush. Never wet or spray water on the machine.
- Do not use harsh abrasives, detergents or solvents as these could cause irreparable damage to the snow blower. Chemicals can destroy plastic parts.

REPLACING THE AUGER

It is recommended to contact Litheli Customer Service or an authorized agency approved by Litheli for replacing the auger.

REPLACING THE DRIVE BELT

It is recommended to contact Litheli Customer Service or an authorized agency approved by Litheli for replacing the belt.

REPLACING THE SCRAPER BLADE

It is recommended to contact Litheli Customer Service or an authorized agency approved by Litheli for replacing the auger.

Storage

1. Examine the cordless snow blower thoroughly for worn, loose or damaged parts. Should you need to repair or replace a part, contact Litheli Customer Service for assistance.
2. Remove the battery. Allow the motor to cool and clean the snow blower before storage.
3. Allow to dry thoroughly.
4. To protect the snow blower from corrosion when storing for long periods, lightly oil the metal parts.
Store the cordless snow blower indoors in a locked, dry, well-ventilated place out of the reach of children to prevent unauthorized use or damage.

Battery:

1. Do not expose your battery pack to water, rain or allow them to get wet. This could permanently damage the battery pack. Do not use oil or solvents to clean or lubricate your battery pack as the plastic casing can become brittle and crack, causing a serious risk of injury.
2. Store the battery pack at room temperature away from moisture. Do not store in damp locations where corrosion of terminals may occur. As with other battery pack types, permanent capacity loss can result if the pack is stored for long periods of time at high temperatures (over 120°F/49°C).

Troubleshooting

⚠ WARNING:

Switch off the machine and remove the battery packs prior to any troubleshooting.

Problem	Possible causes	Remedy
The handle is not in position.	Handle locking knobs not secured.	Make sure the knobs are fully tightened and closed.
Motor does not start.	Battery not installed well.	Make sure the battery is fully inserted.
	Battery not installed well.	Battery depleted.
	Lock-off button not depressed.	Depress the lock-off button fully and then squeeze the operating bail.
	Battery too cold.	Remove battery from snow blower and charge it for 10 minutes. Then install the battery in snow blower for use.
	Operating bail defective.	Contact the service center for replacement.
Poor Performance	Drive belt worn or damaged.	Contact the service center for replacement.
	Auger worn or damaged.	Contact the service center for replacement.

	Discharge chute blocked.	Switch off the snow blower, remove the battery pack, and clean the discharge chute and the auger housing. DO NOT use hand to clean.
Abnormal Vibrations	Drive belt worn or damaged.	Contact the service center for replacement.
	Auger worn or damaged.	Contact the service center for replacement.
	Scraper blade worn.	Contact the service center for replacement.
The motor is on but the auger does not turn.	Driver belt damaged.	Contact the service center for replacement.
The snow blower leaves a thin layer.	Scraper blade worn.	Contact the service center for replacement.

Warranty

Litheli WARRANTY POLICY

- 3-year limited warranty on Litheli outdoor power equipment and power tools for personal, household use.
- 1-year limited warranty on Litheli battery packs for personal, household use. Please contact Litheli Customer Service at service@litheli.com any time you have questions or warranty claims.

LIMITED WARRANTY SERVICE

FOR THREE YEARS from the date of original retail purchase, this Litheli outdoor power equipment and power tools are warranted against defects in material or workmanship. Defective product will receive free repair or will be exchanged.

FOR ONE YEAR from the date of original retail purchase, the Litheli battery packs are warranted against defects in material or workmanship. Defective product will receive free repair or be exchanged.

1. This warranty applies only to the original purchaser from an authorized Litheli shop and may not be transferred.
2. The warranty period for any Litheli product, and battery pack used for residential only.
3. The warranty period for routine maintenance parts, such as, but not limited to, blades, trimmer heads, chain bars, saw chains, belts, scraper bars, blower nozzles, and all other Litheli accessories is 90 days for residential purposes.
4. This warranty does not cover the damage resulting from modification, alteration or unauthorized repair.
5. This warranty only covers defects arising under normal usage and does not cover any malfunction, failure or defect resulting from misuse, abuse (including overloading of the product beyond capacity and immersion in water or other liquid), accidents, neglect or lack of proper installation, and improper maintenance or storage.
6. This warranty does not cover normal deterioration of the exterior finish including but not limited to scratches, dents, paint chips, or to any corrosion or discoloring by heat, abrasive and chemical cleaners.

WARRANTY CLAIM

For warranty claims, please contact Litheli Customer Service at service@litheli.com. You will need to submit a registration document or proof of purchase in the form of a valid receipt that displays the date and place of purchase.

Replacement products do not come with a new warranty. The warranty of the products will continue from the date of the original purchase.

Litheli tool

TOOLS FOR THE FUTURE



+1 (800) 323-8991



www.Litheli.com



service@litheli.com