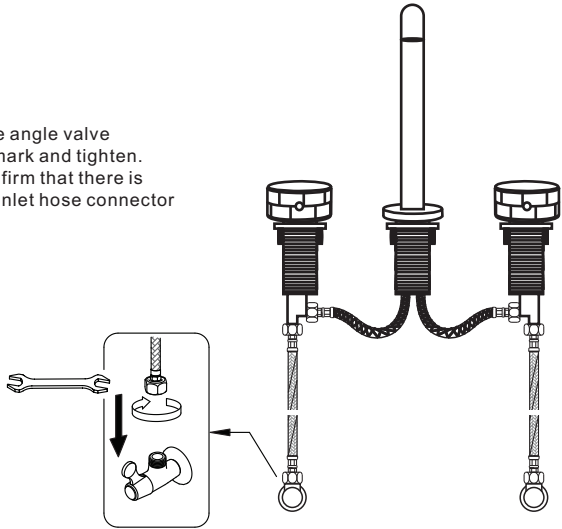


INSTALLATION STEPS

5

5: Connect the inlet hose to the angle valve according to the hot and cold mark and tighten. Before connecting, please confirm that there is a sealing rubber gasket in the inlet hose connector



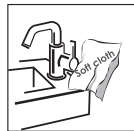
Care and Maintenance

In order to keep the mixer surface bright, please keep often or regularly to clean the mixer.

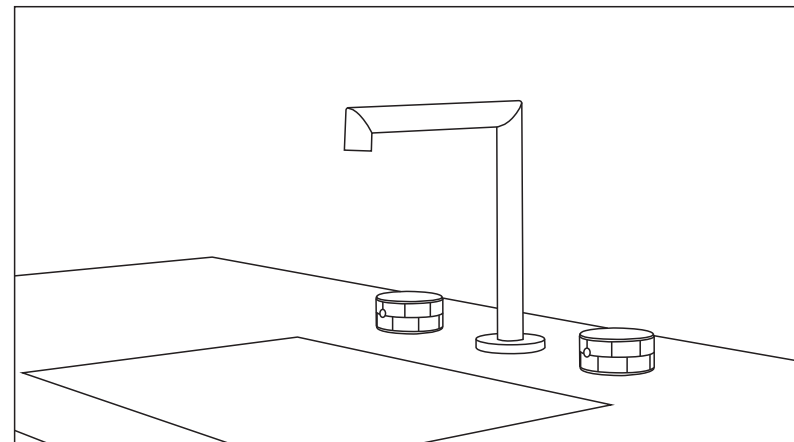
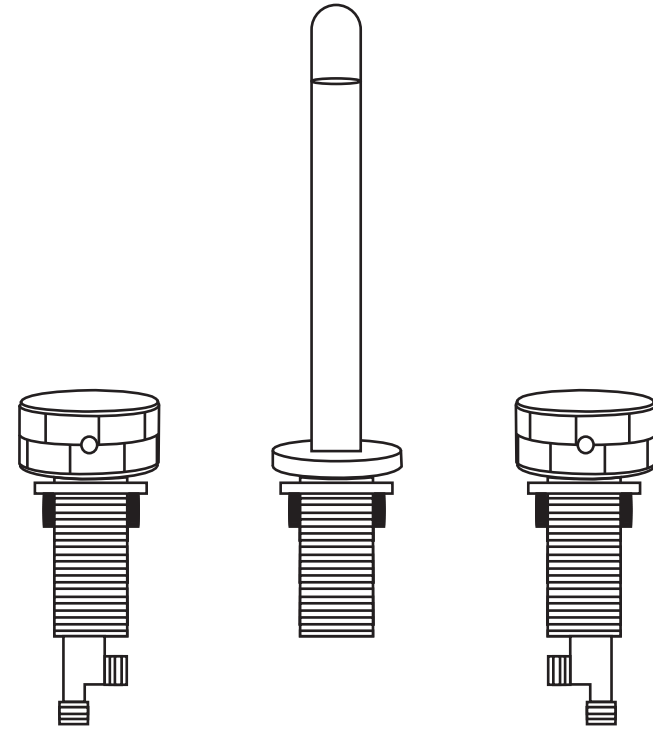
- Wash faucet with clean water, and wipe with soft cotton cloth.
- Avoid using cleaning powder, harsh cleaning chemicals, brushes, and cloth with coarse surface to prevent scratching and corrosion.
- Do not use acidic cleaning agents for washing the faucet as it may cause corrosion on the surface of faucet. Rinse off with water immediately if the faucet in contact with harmful acidic agents.

If must carry on the massive clearing, please obey the following procedure:

1. Use clear water and the soft cloth, eliminate the superficial dirt and the filthy membrane as far as possible;
2. Use the any following cleanser to remove the superficial dirt and the filthy membrane;
 - Temperate liquid cleanser.
 - The colorless glass cleaner, does not have the powdery cleanser which the abrasive action and can dissolve completely (according to instruction mix).
 - Polish liquid which does not abrasive action.
3. After cleanly, please remove the complete cleansing agent with the clear water, and wipes with soft cotton fabric.

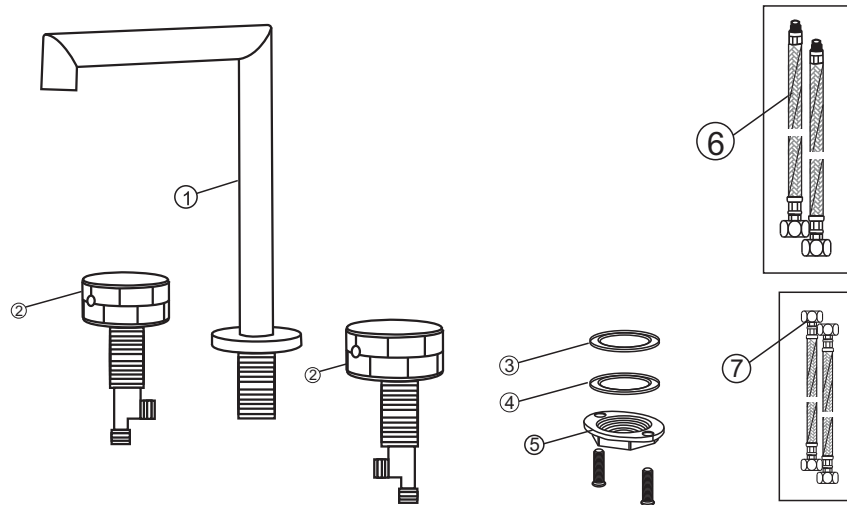


Instruction Manual



PACKING LIST

Serial Number	Part Name	Quantity
①	Faucet	1
②	Switch	2
③	Rubber gasket	3
④	Gasket	3
⑤	Lock nut with	3
⑥	water inlet hoses	2
⑦	Double-water inlet hoses	2



INSTALLATION OF BASIN FAUCET

There are seven steps to installing a faucet:

1. First, prepare the installation tool. Check whether the parts are complete before installation. Common faucet parts include: hose, rubber ring, etc. In addition, waterproof tape should be prepared.
2. Check if the main valve of water supply is closed.
3. Use a waterproof tape to wrap a few turns in the clockwise direction on the thread of the faucet. (This is very important. The direction of the waterproof tape must be tangled clockwise. If twisted reversely, it will leak, which means that the direction of the waterproof tape winding is opposite to the direction of the faucet thread).
4. Install the faucet following the graphic instruction below.
5. Open the main valve of the water supply, normal water can be used.
6. The thread size is 9/16, it meets the installation needs of most American houses.
7. Button is functional when water pressure is applied.

INSTALLATION STEPS

