



SPECIFICATIONS

COS-965AGFC-BKS Gas Range



Size	36 Inch / 4.4 cu. ft. Capacity
Fuel	Gas
Installation	Freestanding / Slide-In
Controls	Full Metal Knobs
Oven	Convection
Finish	Matte Black, Stainless Steel
Electrical	120V, 15A
Racks	2 Racks, 5 Positions
Oven Functions	Bake, Roast, Broil, Fan Convection, Oven Light
Burners	<ul style="list-style-type: none">• Triple Ring / 18,000 BTU• Rapid / 8,800 BTU• Semi-Rapid / 6,900 BTU (x2)• Auxiliary / 5,000 BTU• Bake Burner / 14,000 BTU• Broil Burner / 5,800 BTU

COS-965AGFC-BKS

To cook to your heart's desire, you need the tool of the trade to make it happen. Cosmo's COS-965AGFC-BKS Gas Range features 5 high-performance burners and a 4.4 cu. ft. convection oven to allow you to create culinary masterpieces from start to finish.

Features

- Designed for freestanding or slide-in
- 5 high-performance sealed burners
- 4.4 cu. ft. convection oven
- 4 oven functions & oven light
- Digital display & timer
- Cast iron grates
- Wok grate attachment
- Optional handle kits available (sold separately)

Part #: 965-H01BSS / 965-H02MCR



Digital Timer



Metal Knobs



Wok Grate Attachment

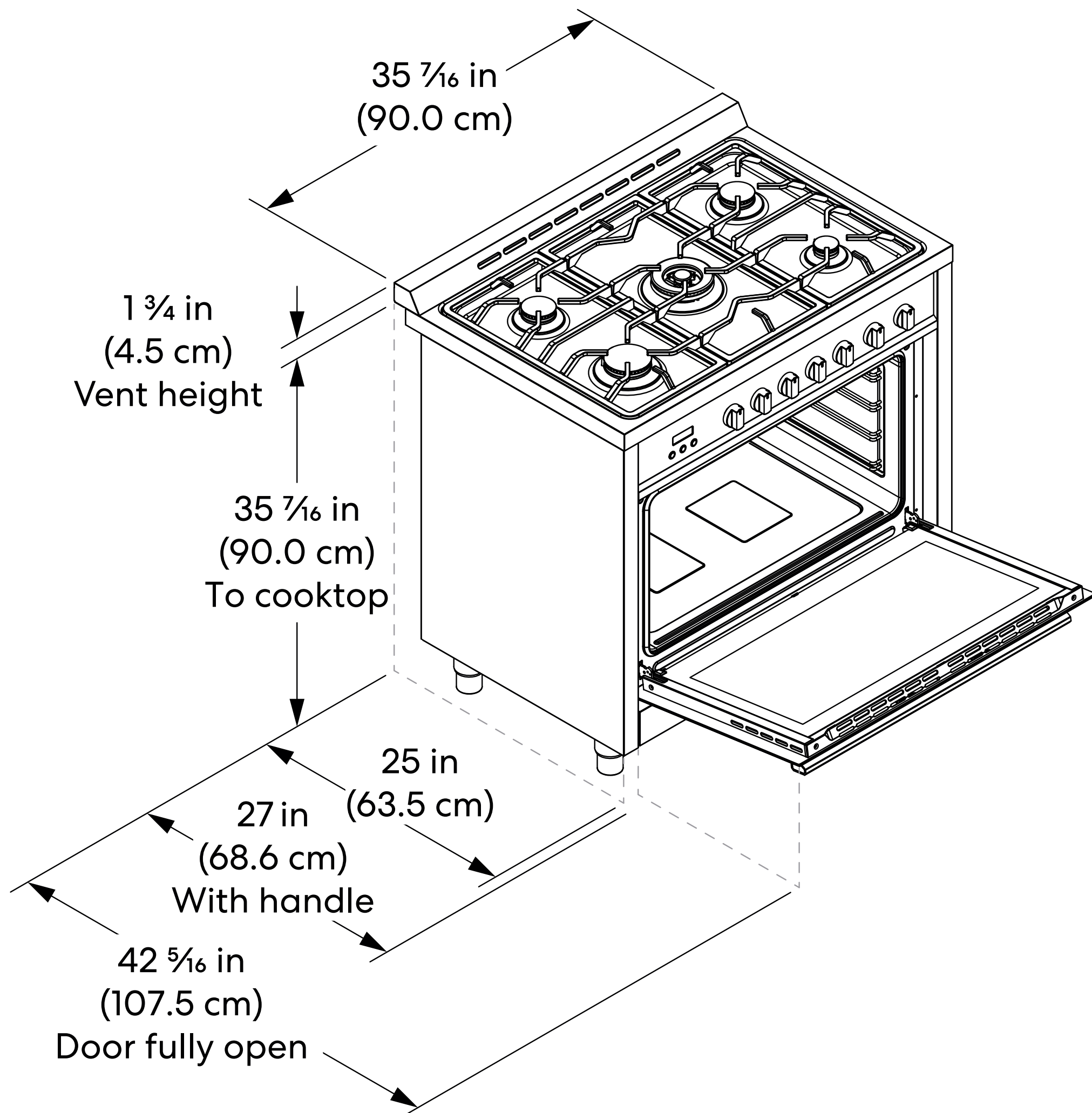


See Page 2 for dimensions



DIMENSIONS

COS-965AGFC-BKS Gas Range



Dimensions (WxDxH): 35.4" x 25" x 35.4-37.2"