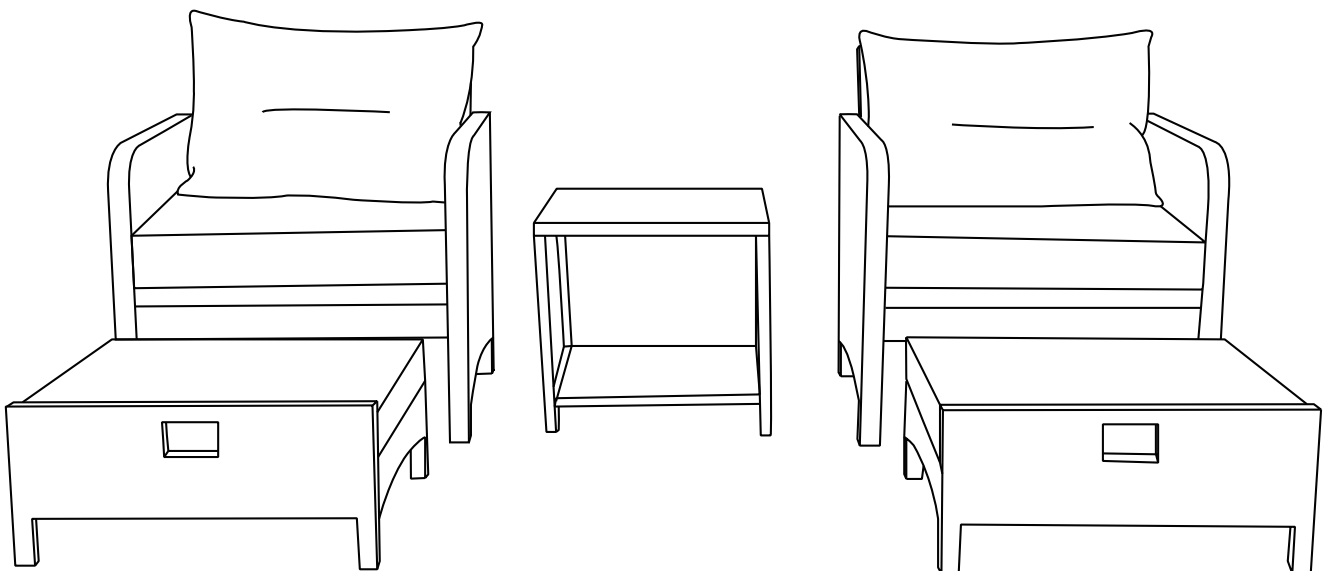


Pamapic

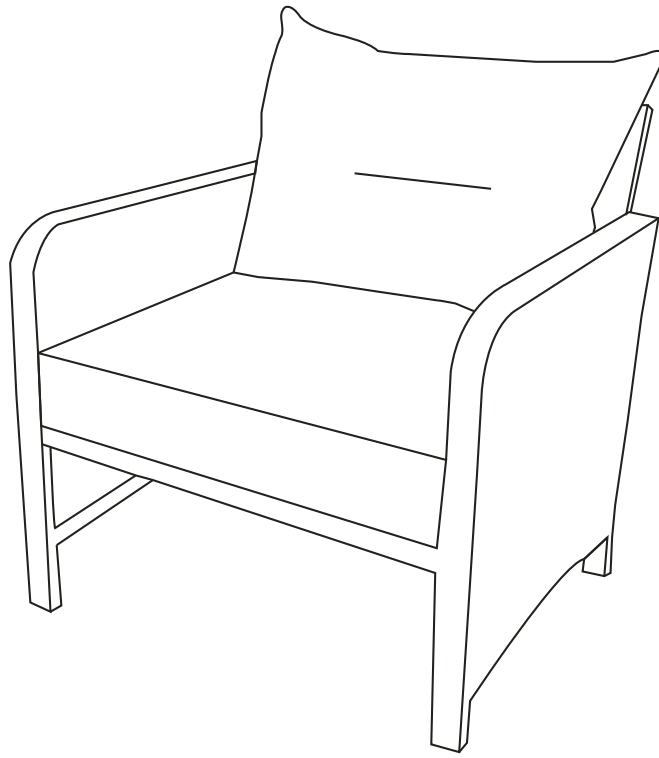


Dear customer:

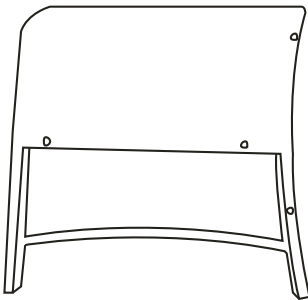
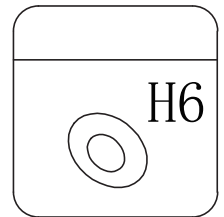
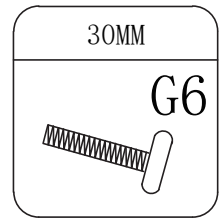
If you have any problem, please do not
hesitate to contact us via email.

(Pamapic@hotmail.com)

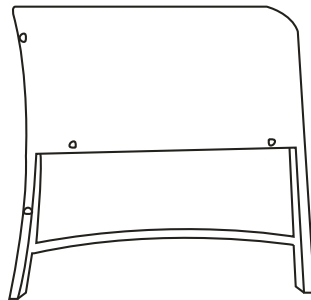
Instructions



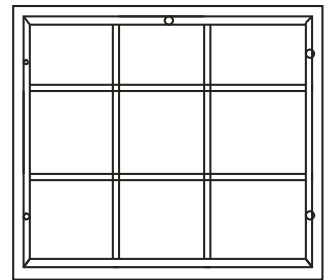
Chair



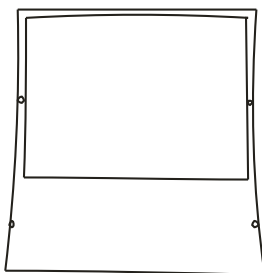
A



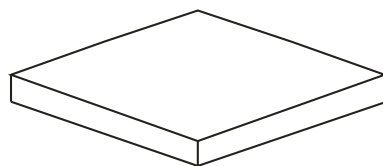
B



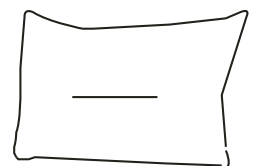
C



D



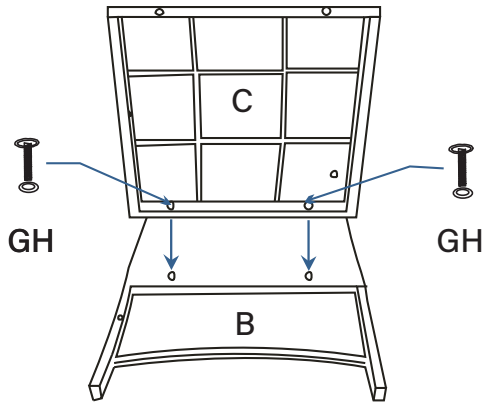
E



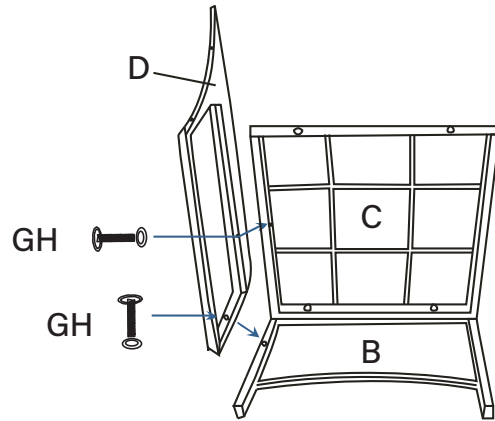
F

Instructions

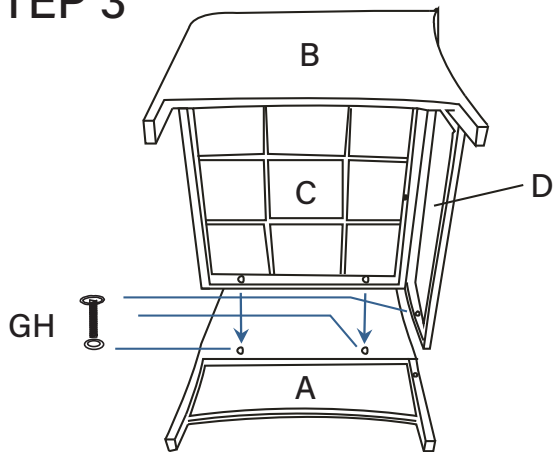
STEP 1



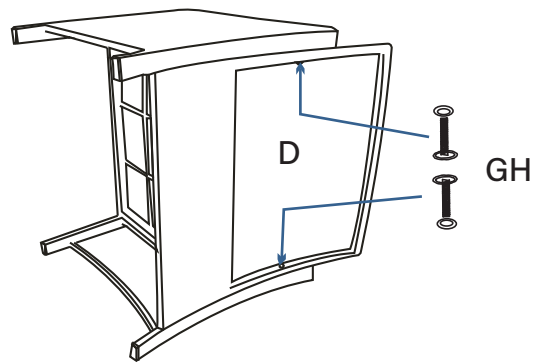
STEP 2



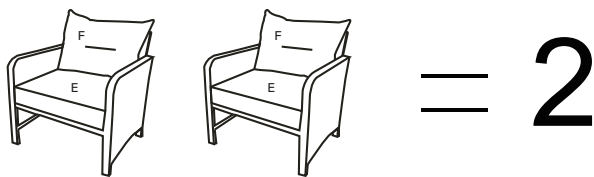
STEP 3



STEP 4



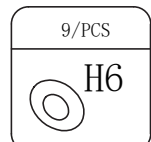
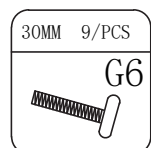
Number



Parts

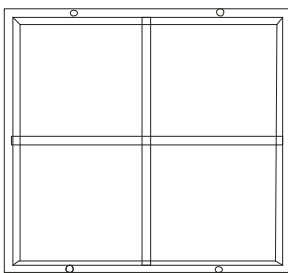
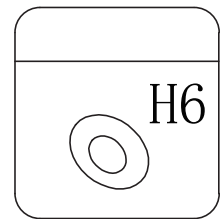
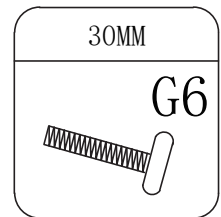
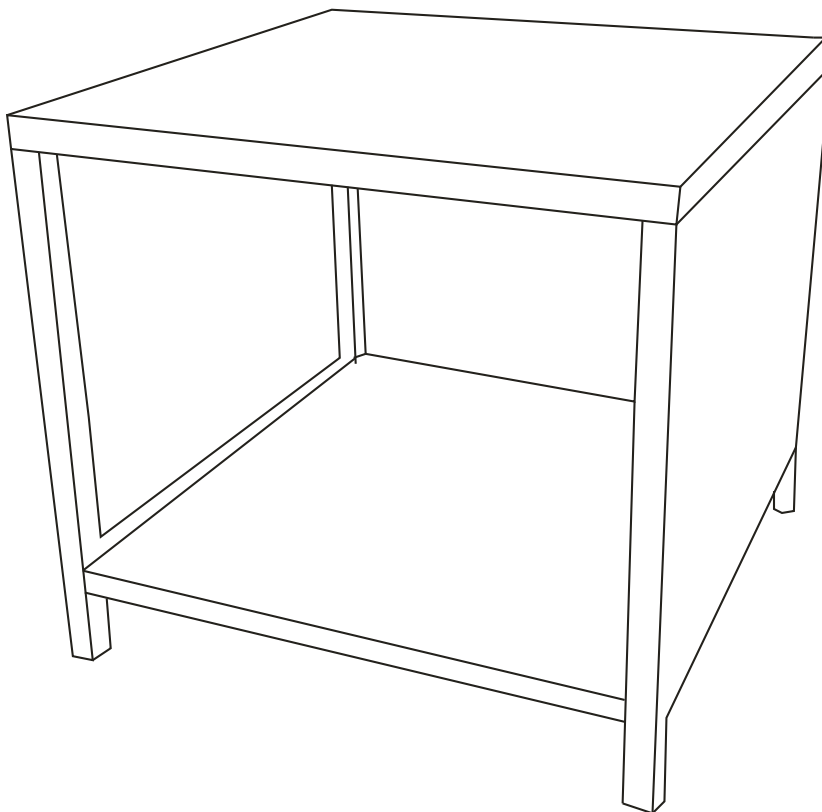
(A)	2PCS
(B)	2PCS
(C)	2PCS

(D)	2PCS
(E)	2PCS
(F)	2PCS

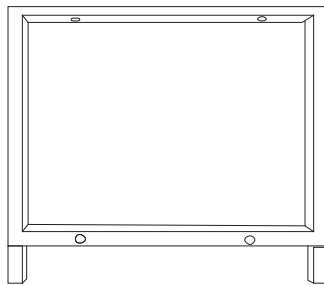


Instructions

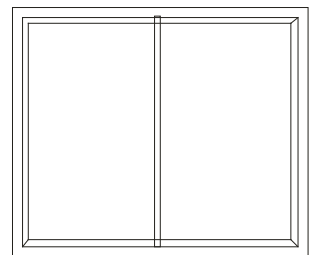
Side table



I



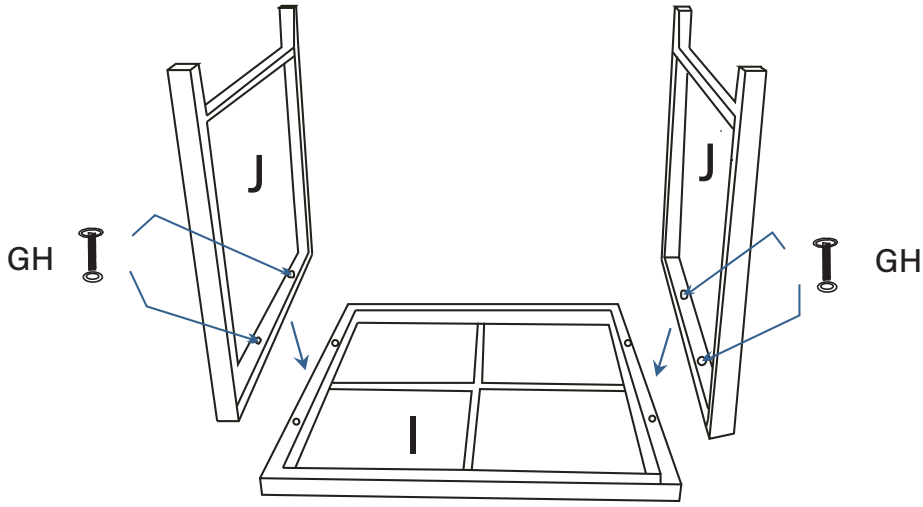
J



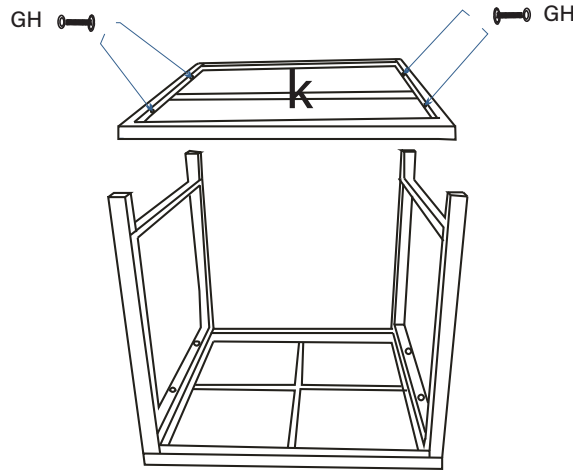
K

Instructions

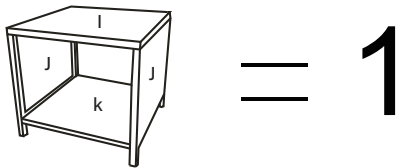
STEP 1



STEP 2

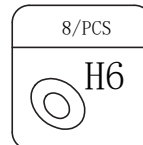
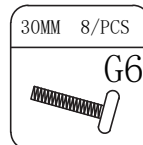


Number



Parts

ⓐ	1PCS
ⓑ	2PCS
ⓒ	1PCS



Maintenance Attention

Rattan furniture is easy to clean and take care of.

1. You generally only need to rinse it thoroughly with clean water to wash away dirt and grime.
2. For the stubborn grime and stains, it can be cleaned gently with a soft sponge and mild soapy water. Dry it with a cloth or paper towel.
- ★ 3. Put cover if it under hot sun, store resin furniture during the off-season.
4. Wipe car wax onto the pieces every two years. It will add a shine to the furniture.
5. Keep resin furniture away from heat sources such as an outdoor grill. The extreme temperatures could cause the plastic to melt.
6. Although it waterproof we still recommend to use rain cover all year long.

Tips & Warnings

Never use abrasive cleansers on resin furniture.