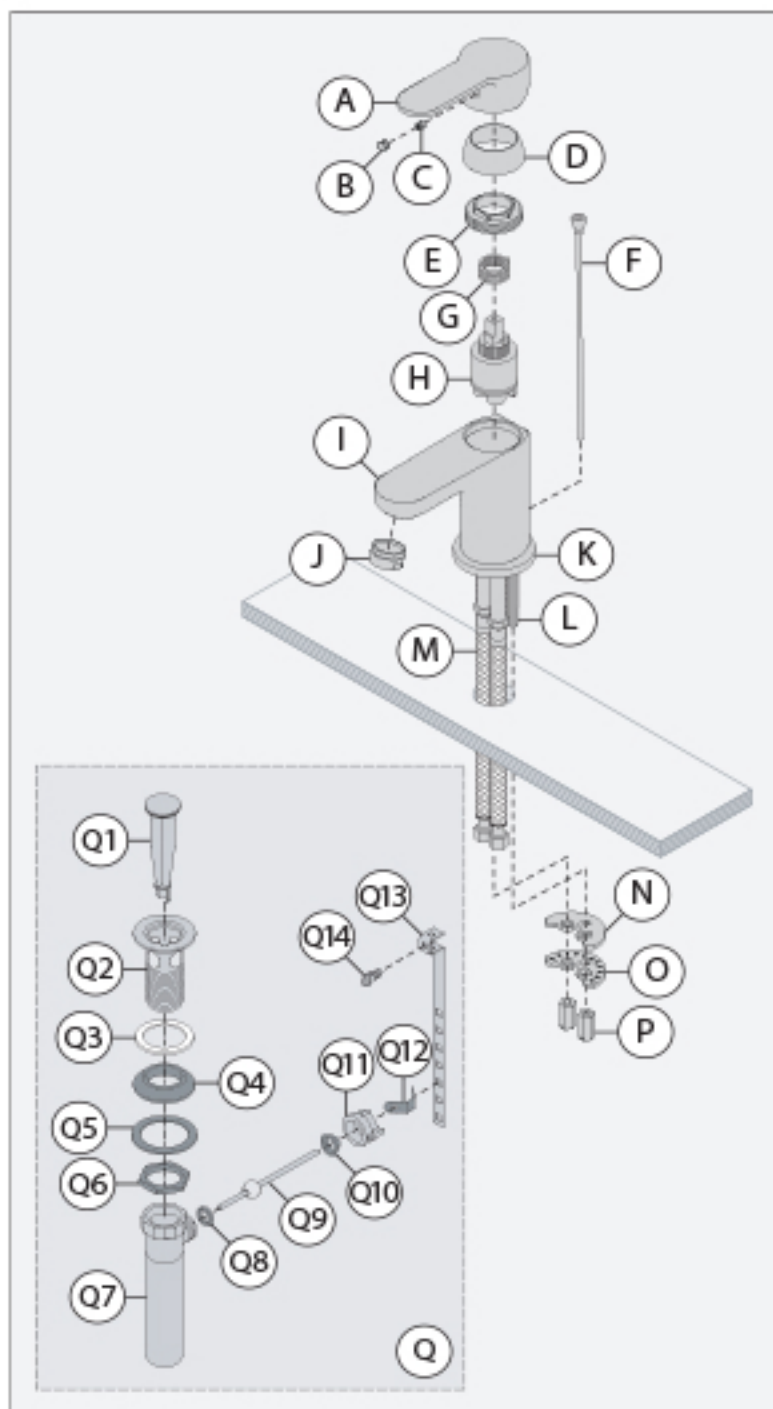


## Parts Breakdown



### Replacement Parts

Item	Description	Part Number
A B C	Handle Kit	LN-01449*
F	Lift Rod	RL-014*
G H	Temperature Limit Stop Cartridge	RL-070
J	Aerator Kit (2.2) Aerator Kit (1.5) Aerator Kit (1.0) Aerator Kit (0.5) Laminar Flow Kit (2.2) Laminar Flow Kit (1.5) Laminar Flow Kit (1.0) Laminar Flow Kit (0.5) Vandal Proof Kit (2.2) Vandal Proof Kit (1.5) Vandal Proof Kit (1.0) Vandal Proof Kit (0.5)	LN-15* FLR-110-1.5* FLR-110-1.0* FLR-110-0.5* RL-019-2.2* RL-019-1.5* RL-019-1.0* RL-019* RL-315-2.2* RL-315-1.5* RL-315-1.0* RL-315-0.5*
N O P	Mounting Hardware	RL-238
Q	50/50 Pop-Up Drain Assembly	RL-223*