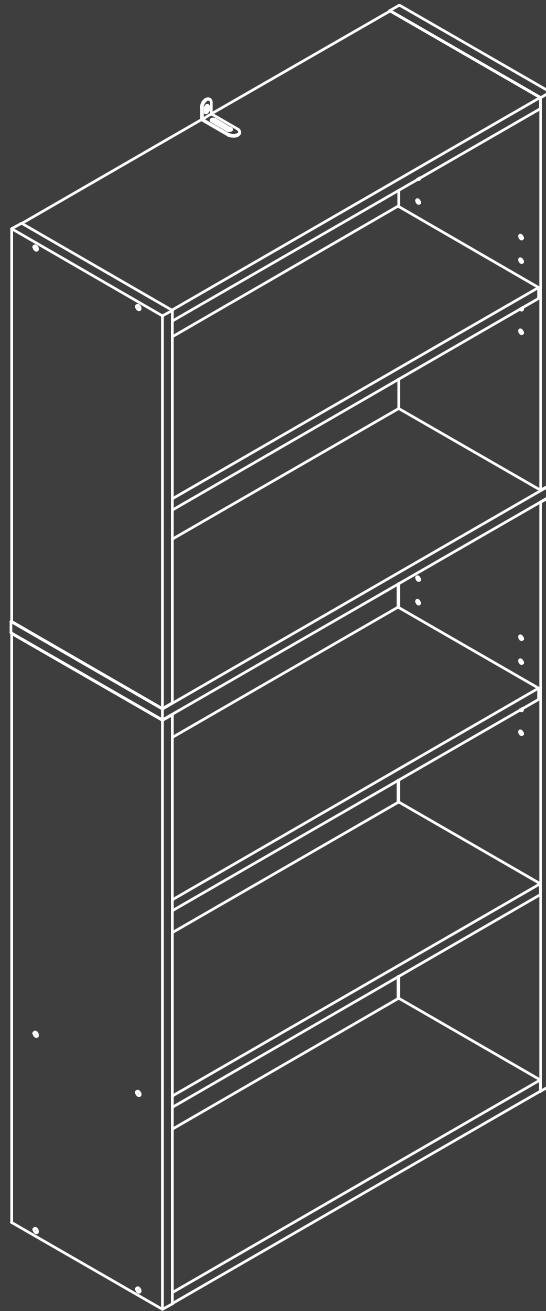


Storage Bookshelf

Instruction Manual

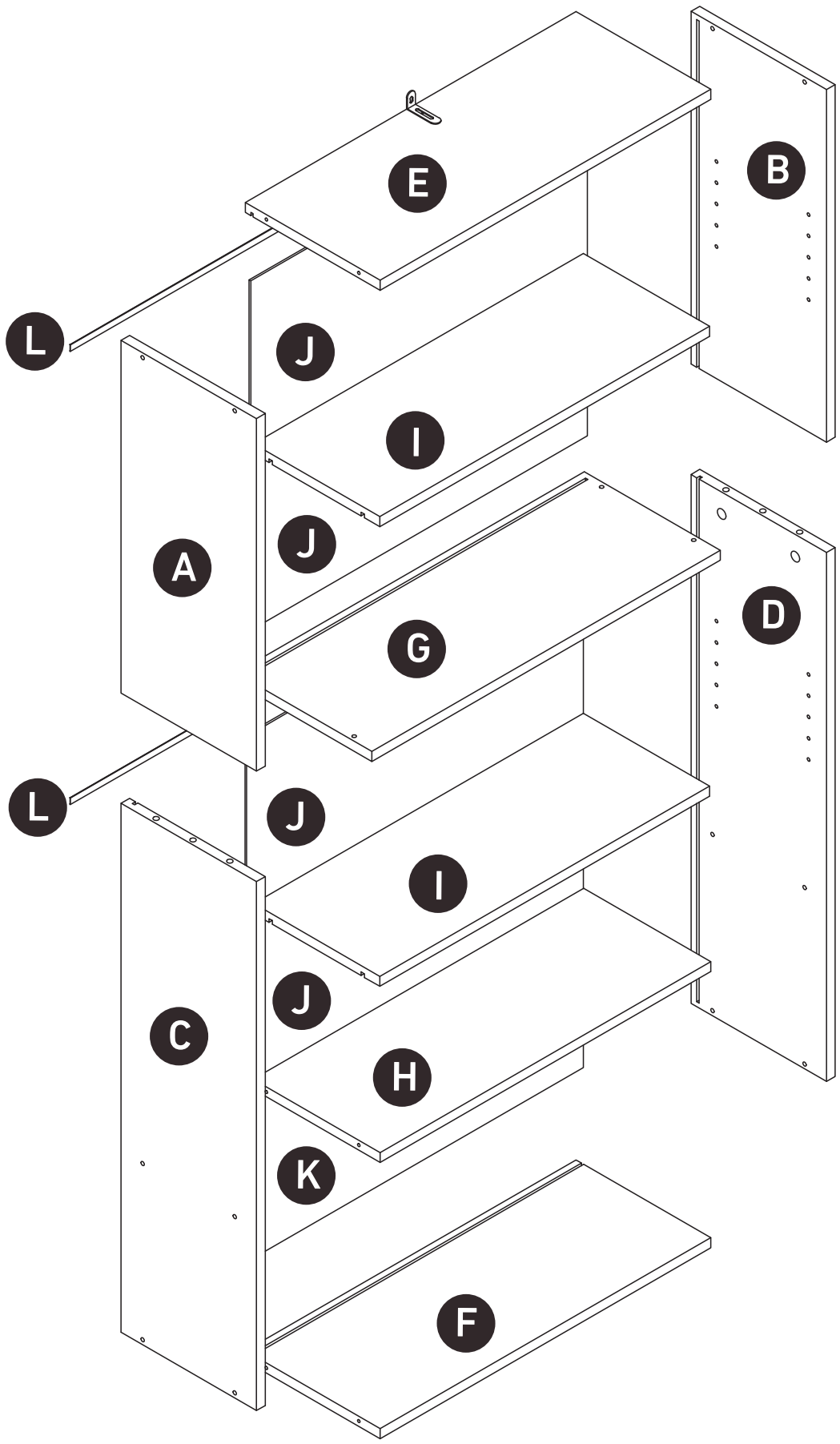
SG-5LWD



✉ HJ-Customer-Service@outlook.com

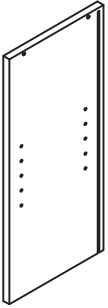
☎ (909)637-7665 | (909)637-7593

EST 9:00AM--17:00PM

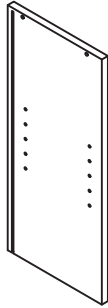


1 Package List

A X1



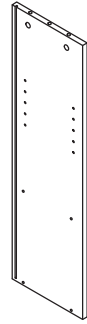
B X1



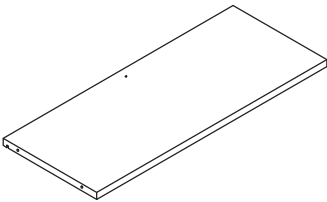
C X1



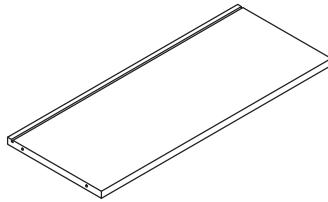
D X1



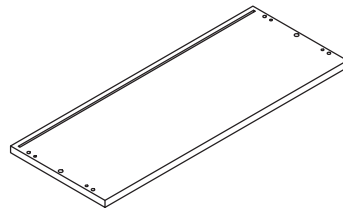
E X1



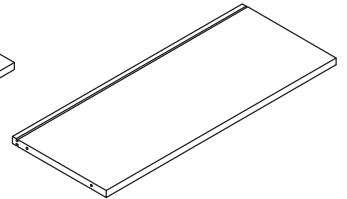
F X1



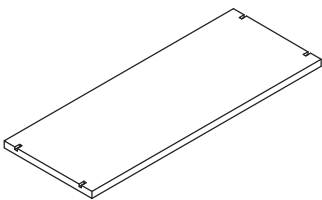
G X1



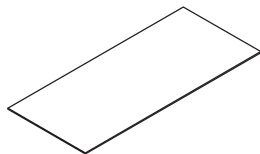
H X1



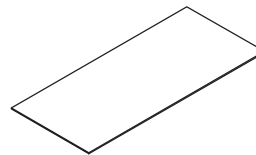
I X2



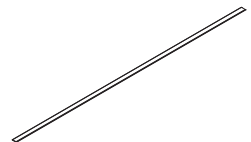
J X4



K X1

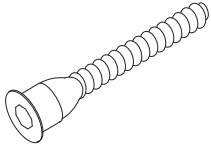


L X2



2 Supplied Parts and Hardware

1 X16



M5x38mm

2 X4



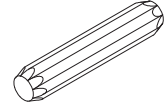
M6x40mm

3 X4



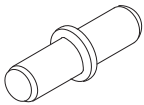
Ø15x10.5mm

4 X2



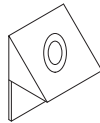
Ø8x30mm

5 X8

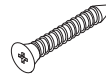


Ø5x20mm

6 X8



7 X1



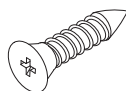
8 X1



9 X1

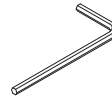


10 X9



M3x14mm

11 X1



3mm

12 X1

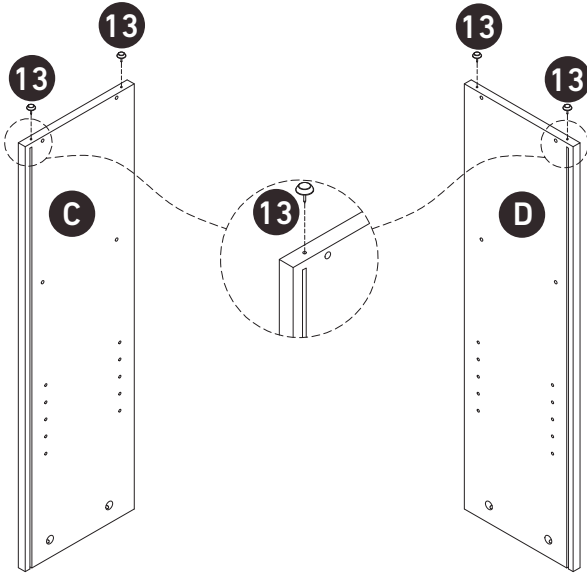
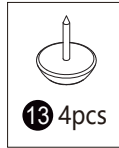


13 X4



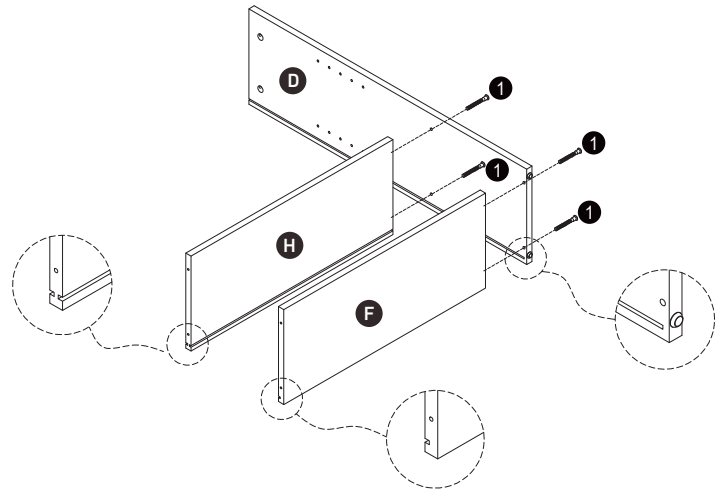
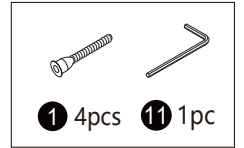
Ø13x17mm

Step 1

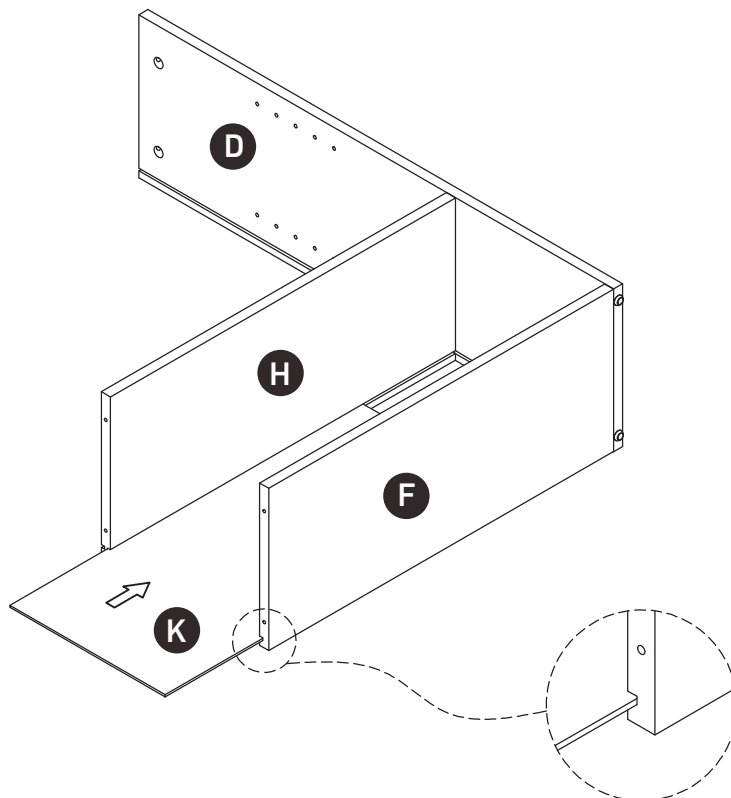


Press or hammer rivet **13** into the board.

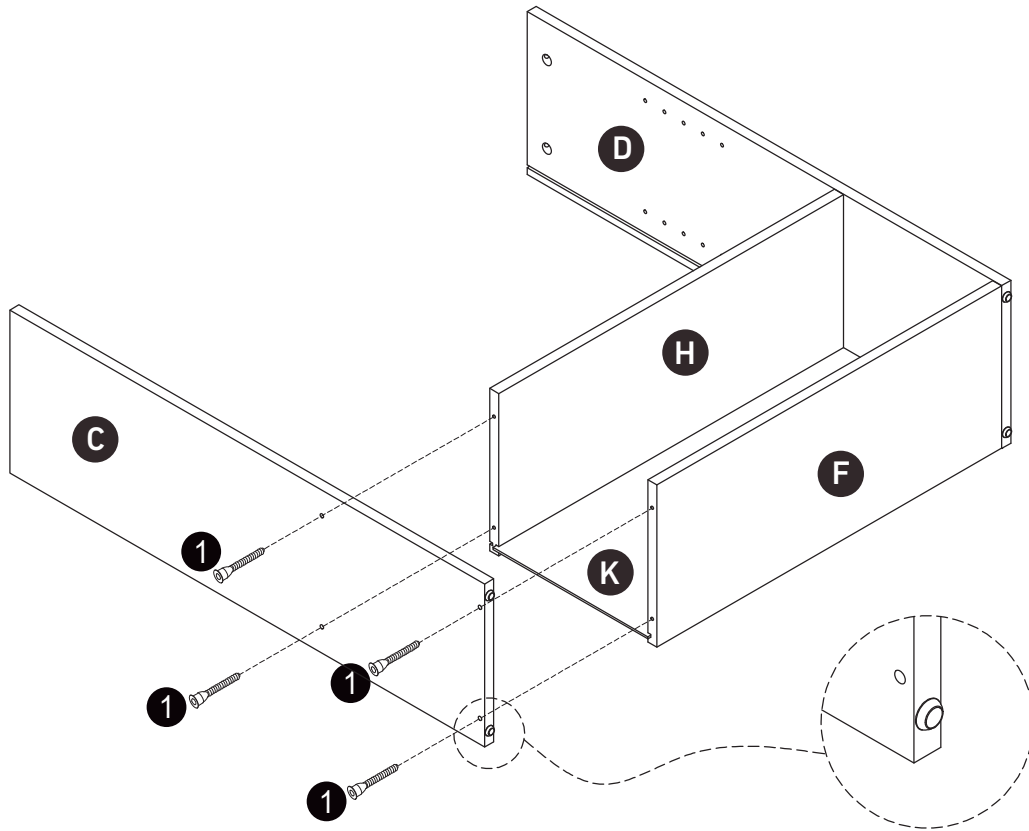
Step 2



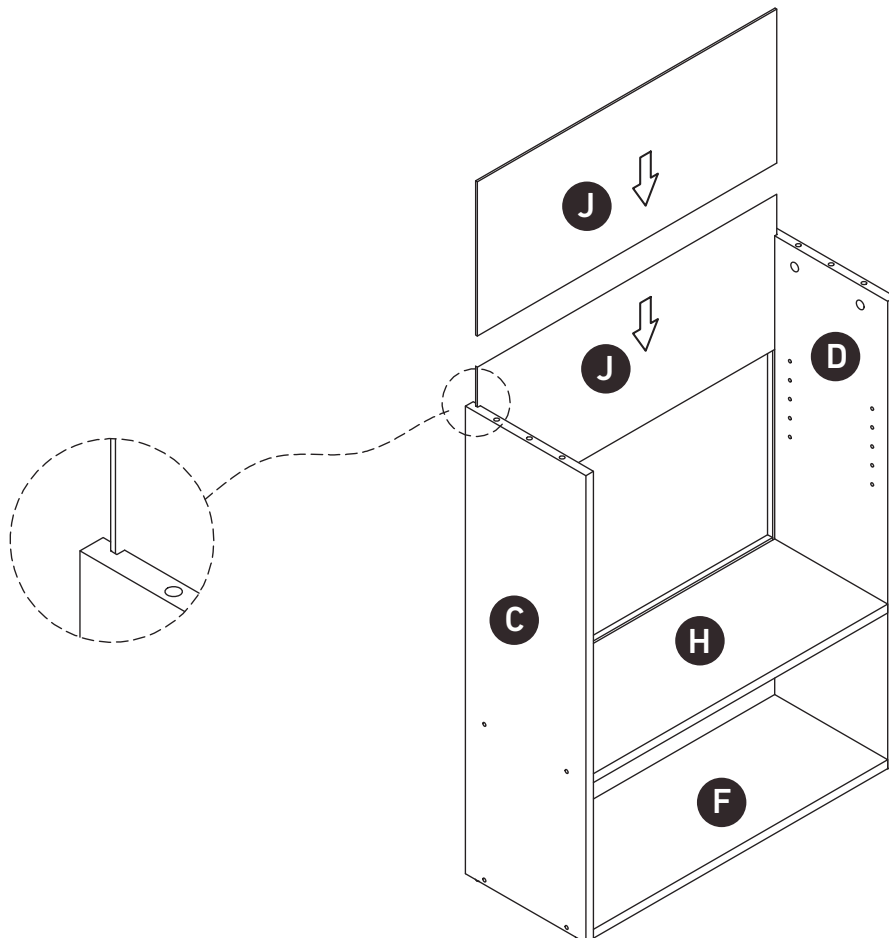
Step 3



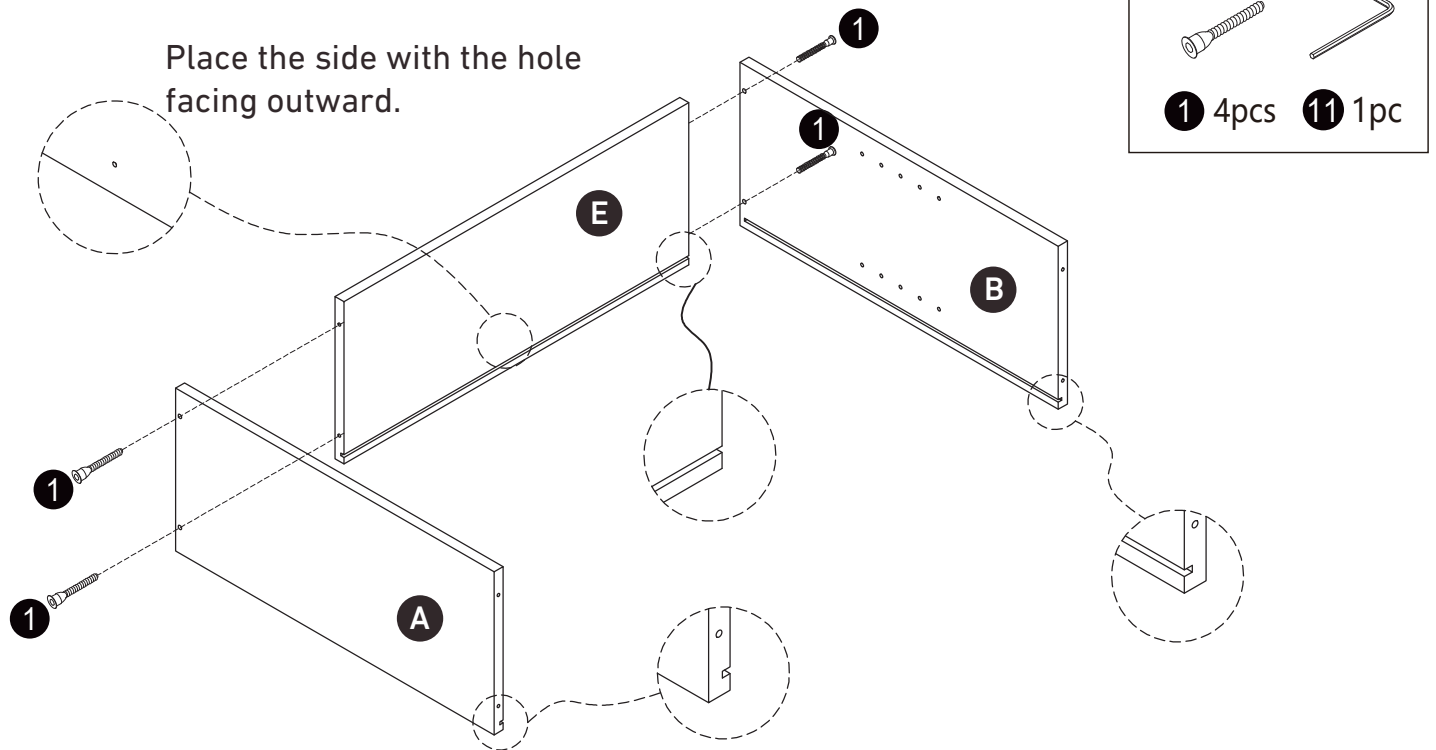
Step 4



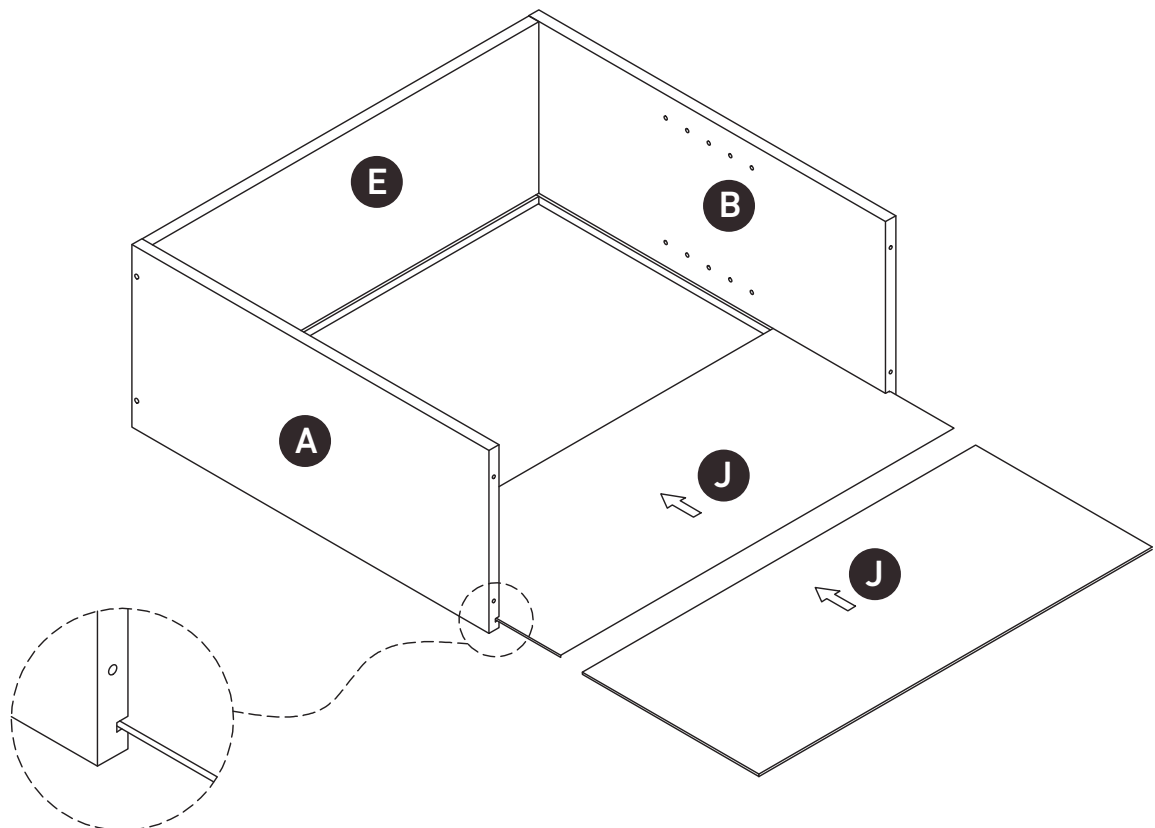
Step 5



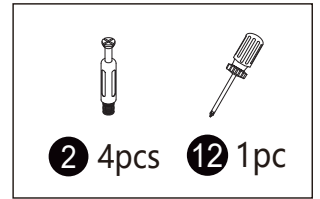
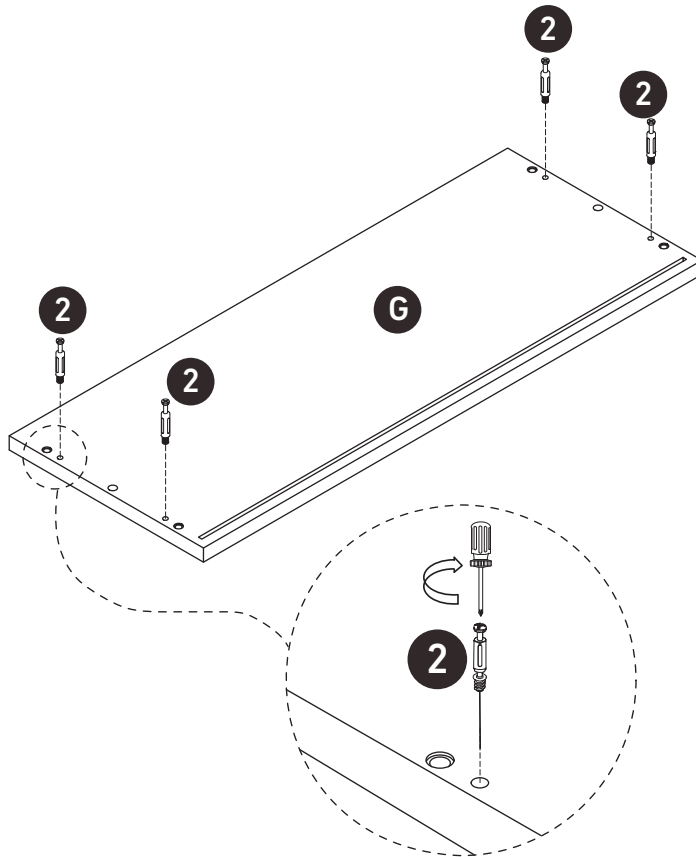
Step 6



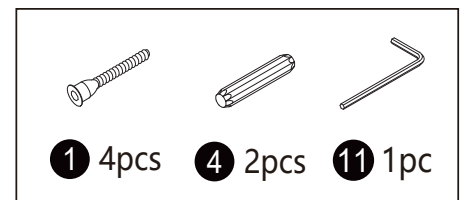
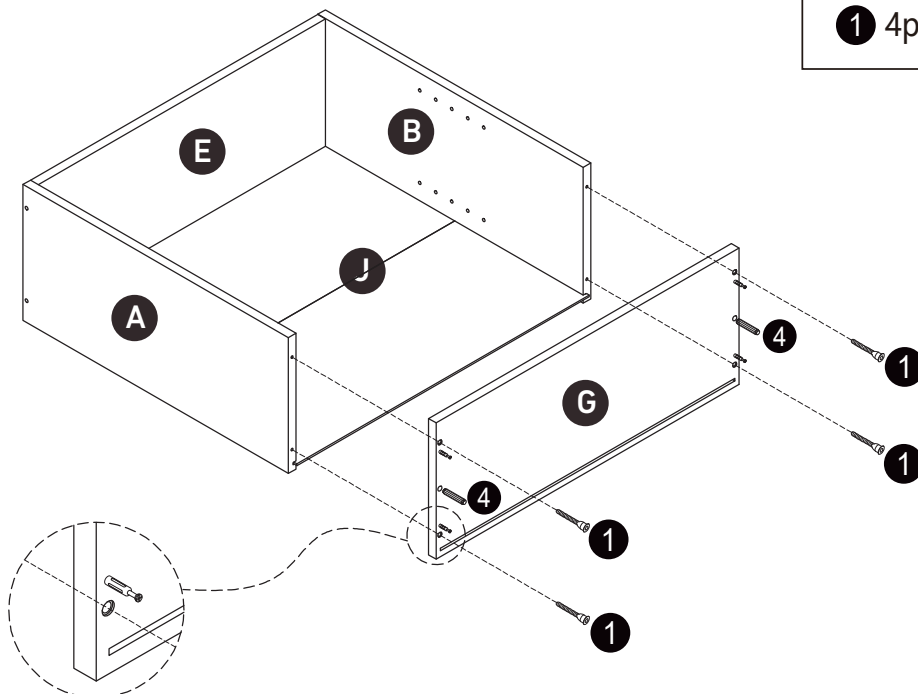
Step 7



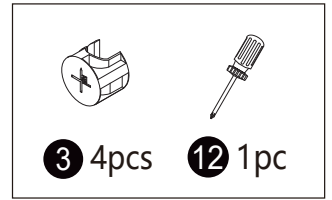
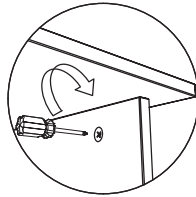
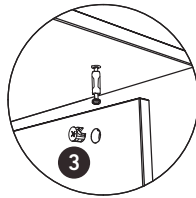
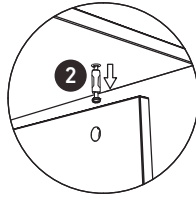
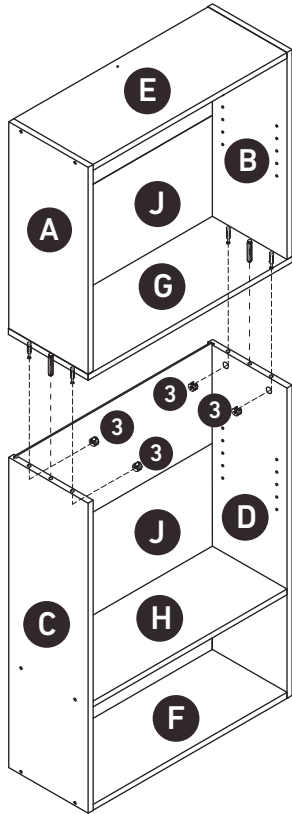
Step 8



Step 9

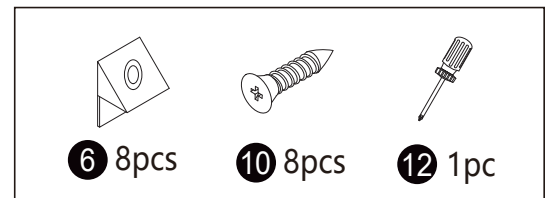
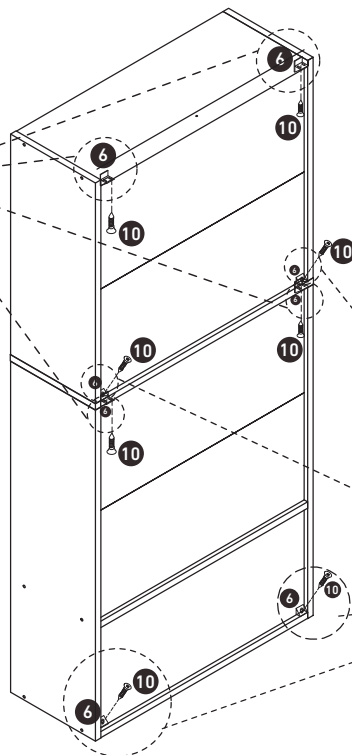
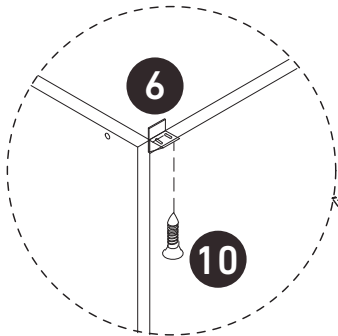


Step 10



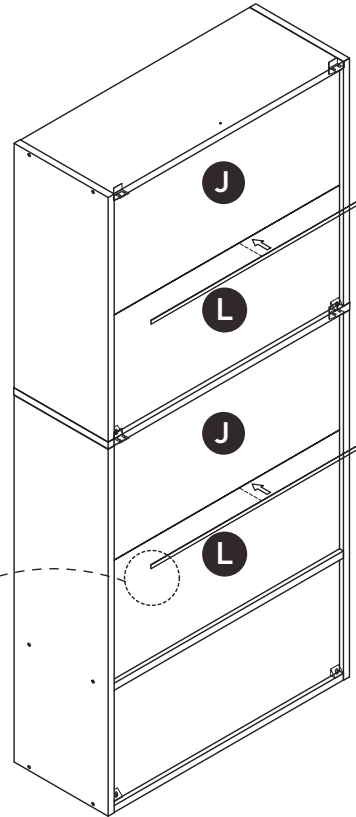
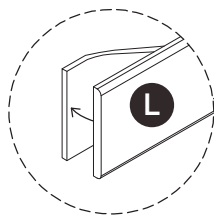
Tighten **3** only after the upper and lower parts are perfectly aligned.

Step 11

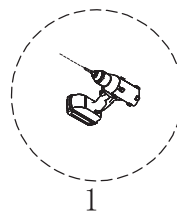
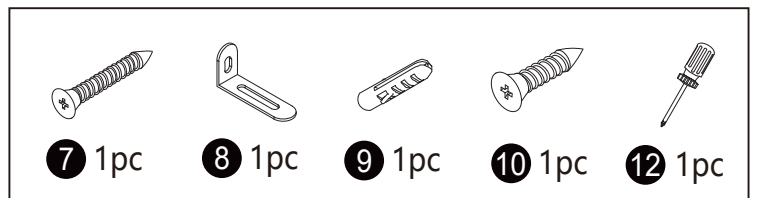
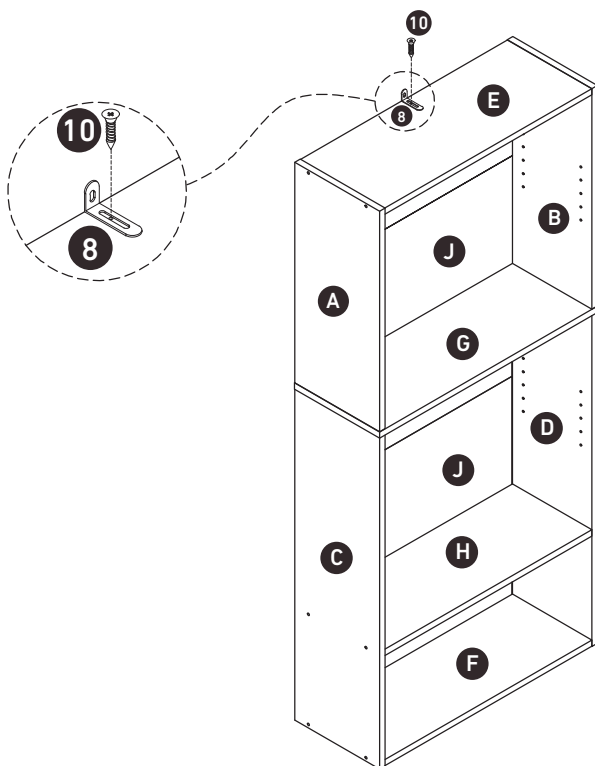


Step 12

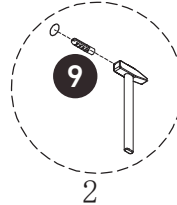
Tear off the protective film from the surface of Strip **L** and apply it to the gap of Board **J**.



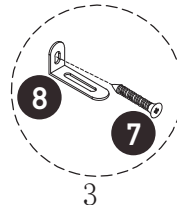
Step 13



Drill a hole in the wall.

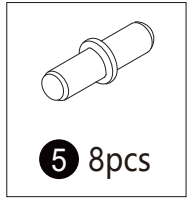
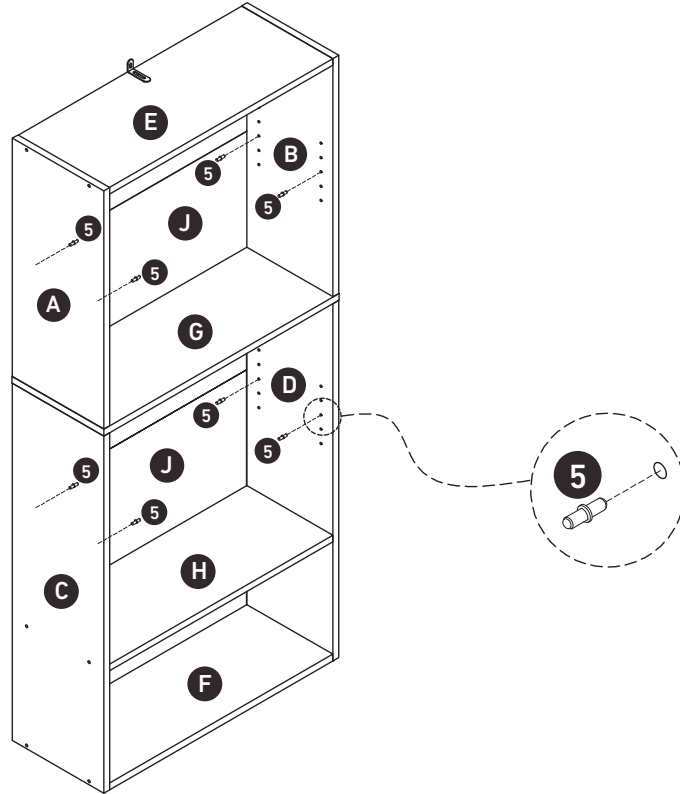


Insert **9** into the hole.

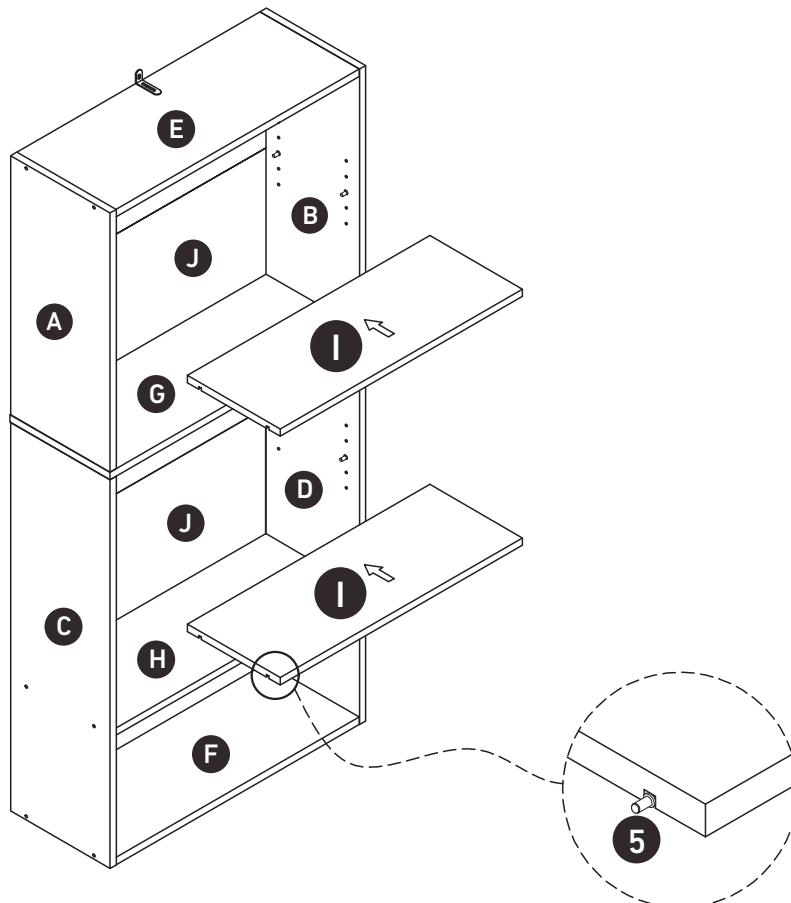


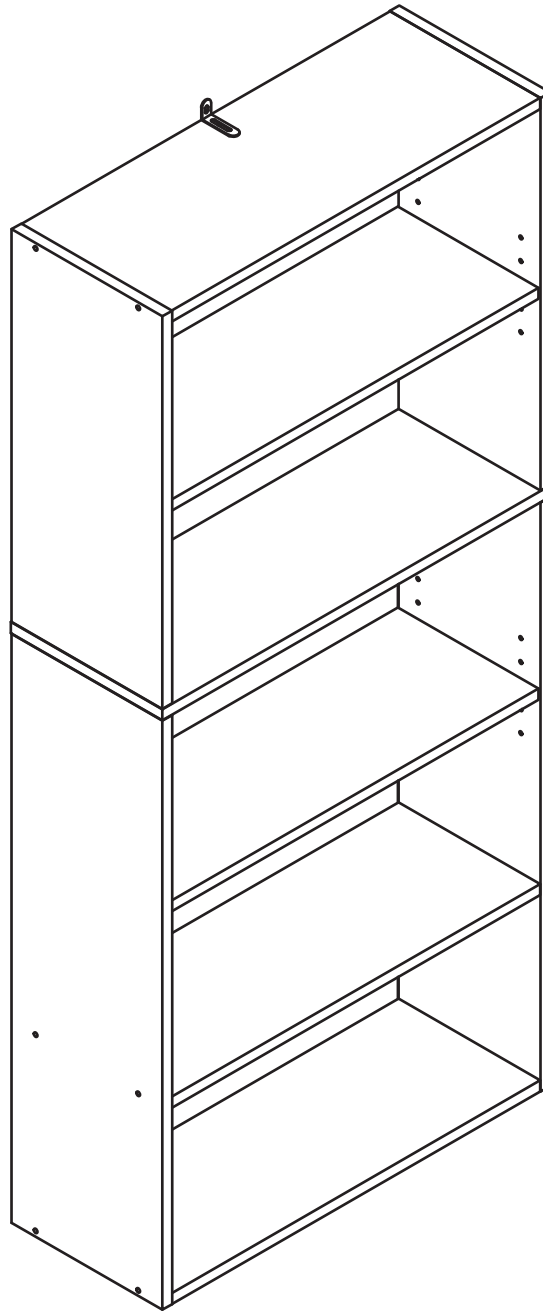
Insert **7** into **8**.

Step 14



Step 15





Technical Support

(909)637-7665 | (909)637-7593

Other Info

HJ-Customer-Service@outlook.com

Thank you for choosing this product. We strive to provide you with the best quality products and services in the industry. Should you have any issues, please don't hesitate to contact us.