

HVLS FAN

User Manual

WARNING

To avoid fire, shock and serious personal injury, please read the following instructions carefully.

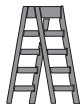
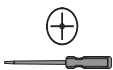
- Before installing the fan, disconnect the power by removing fuses or turning off circuit breakers.
- Make sure the installation site you choose allows a minimum of 2.5M from the blades to the floor and at least 1.2M from the tip of the blades to any obstruction (see the picture at the next page).
- If you are mounting the fan to a joist, make sure it is strong enough to support the moving weight of the fan (at least 100 kg.)
- Make sure to install all parts firmly enough in case they fall while running. Carefully check all screws, bolts, and washers on the fan assembly to ensure they are secured.
- Do not insert anything into the fan blades while the fan is operating.
- Do not install the fan on a sloped ceiling.
- Consult a qualified electrician if you are unfamiliar with proper electrical wiring connections.
- Keep all the parts of this product away from children. The package contains many small or heavy parts that may bring children the risk of choke or injury.
- Wear safety gloves and safety glasses always when installing or removing the light or the fan, or performing maintenance. Some parts of the components are sharp and may hurt your hands, please make sure you are wearing safety gloves when touching and installing the components. Wear rubber-soled shoes and work on a sturdy ladder.

MAINTENANCE AND CLEANING

MAKE SURE THE POWER IS SWITCHED OFF AT THE ELECTRICAL PANEL BOX BEFORE PERFORMING ANY CLEANING OR REPAIRS

- Periodically cleaning your ceiling fan is the only required maintenance.
- Use a soft brush or lint-free cloth to prevent scratching the paint.
- Do not use water to clean your ceiling fan, as this may damage the motor or blades, or even cause an electrical shock.
- The motor is fitted with permanently lubricated ball bearings, so no additional oiling is necessary.

TOOLS NEEDED



Phillips Screwdriver

Wire Stripper

Step Ladder

Safety Gloves

Spirit level

Hex Key

Impact Drill

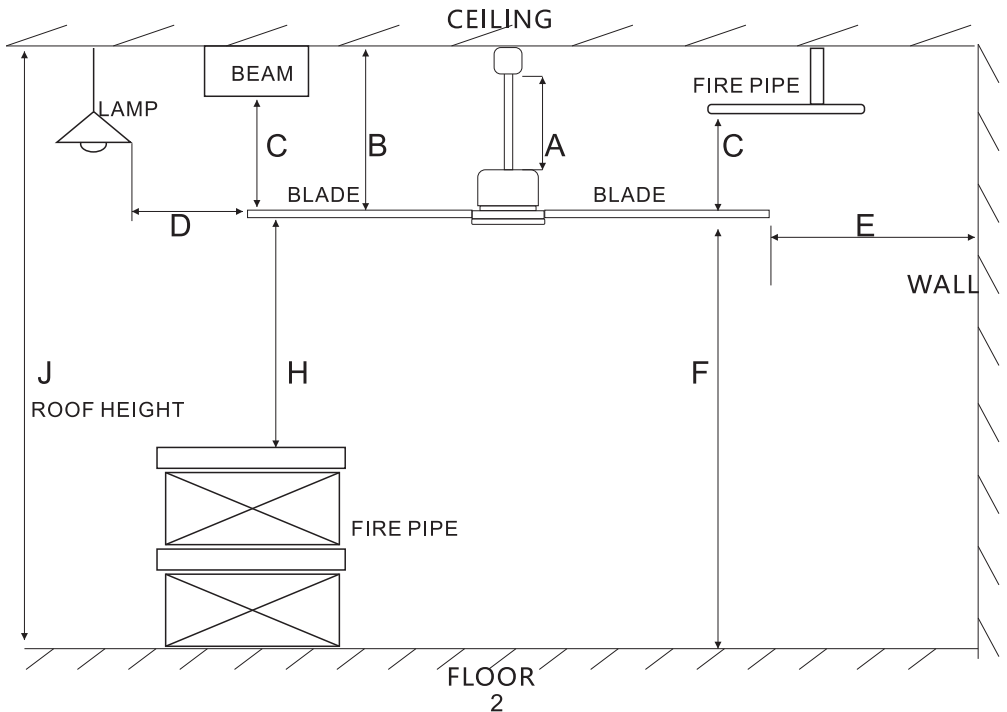
Installation Distance Reference

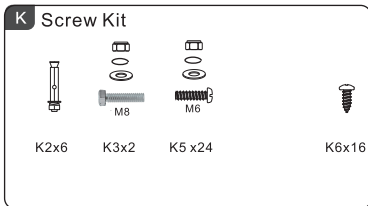
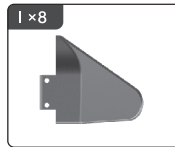
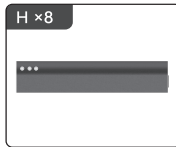
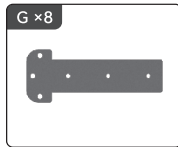
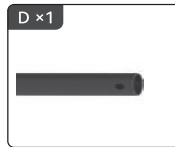
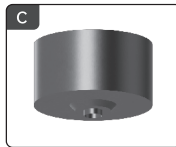
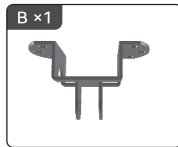
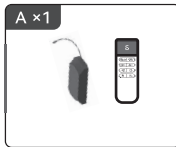
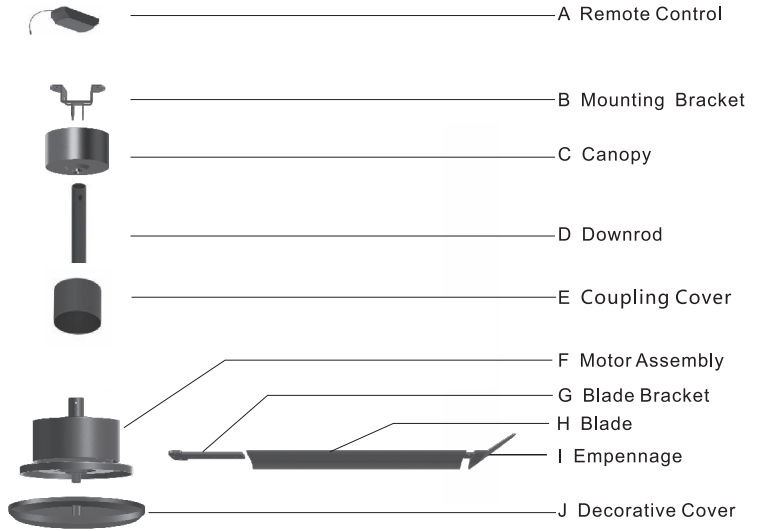


	Fan size(diameter)	
	80 Inch And 100 inch	120 Inch And 150 inch
(A) Hanger rod Length	0.3 meter to 2.5	0.6 meter to 2.5
(B) From blade to roof	0.5 meter or more	0.8 meter or more
(C) From blade to beam or pipe	0.3 meter or more	0.5 meter or more
(D) From blade to lamp	1.2 meter or more	1.2 meter or more
(E) From blade to wall or column	1.2 meter or more	2 meter or more
(F) From blade to ground	At least 2.5 meter,less than 5 meter	At least 3.0 meter,less than 5 meter
(H) From blade to goods or equipment	1.2 meter or more	1.5 meter or more
(J) Roof height	3 meter Or more	3 meterOr more

The distance between two adjacent ceiling fans, i.e., the linear distance between their hanger rods, is recommended to be 2 to 3 times the fan diameter to ensure full air circulation

The values provided in the table are for reference only. During practical application, appropriate modifications may be implemented in accordance with user-specific requirements.



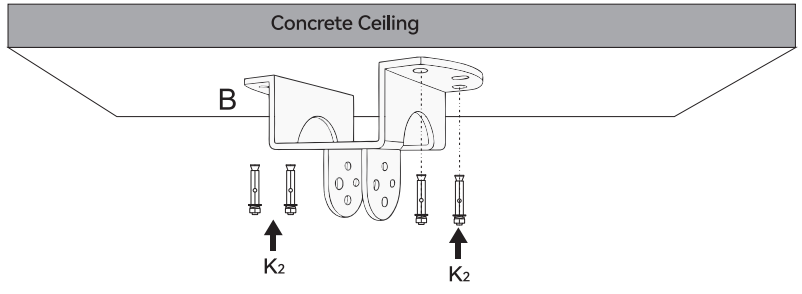


Notice:

- Some extra hardware may be included.
- The quantity listed above is the number required for installation.

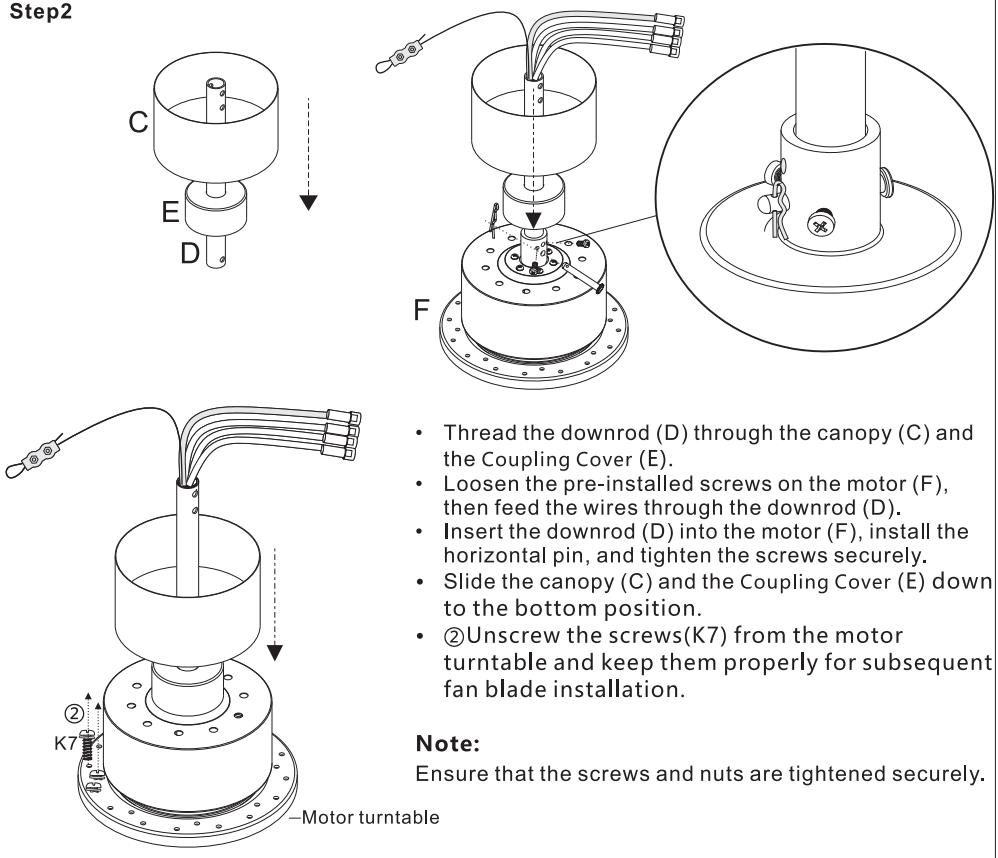


Step1



- Secure the mounting bracket to the installation location with expansion screws.

Step2

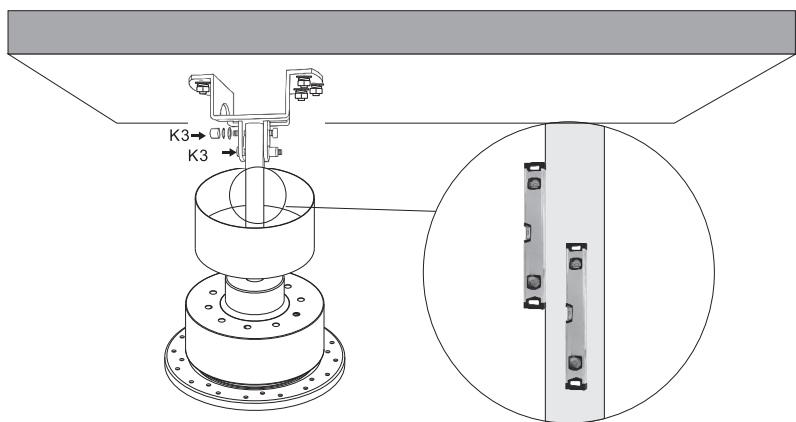


- Thread the downrod (D) through the canopy (C) and the Coupling Cover (E).
- Loosen the pre-installed screws on the motor (F), then feed the wires through the downrod (D).
- Insert the downrod (D) into the motor (F), install the horizontal pin, and tighten the screws securely.
- Slide the canopy (C) and the Coupling Cover (E) down to the bottom position.
- ② Unscrew the screws(K7) from the motor turntable and keep them properly for subsequent fan blade installation.

Note:
Ensure that the screws and nuts are tightened securely.

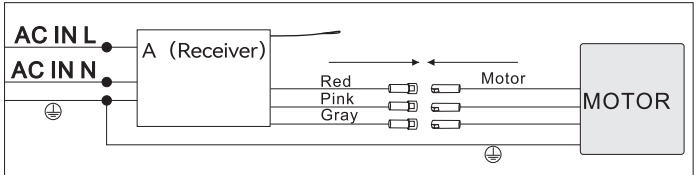
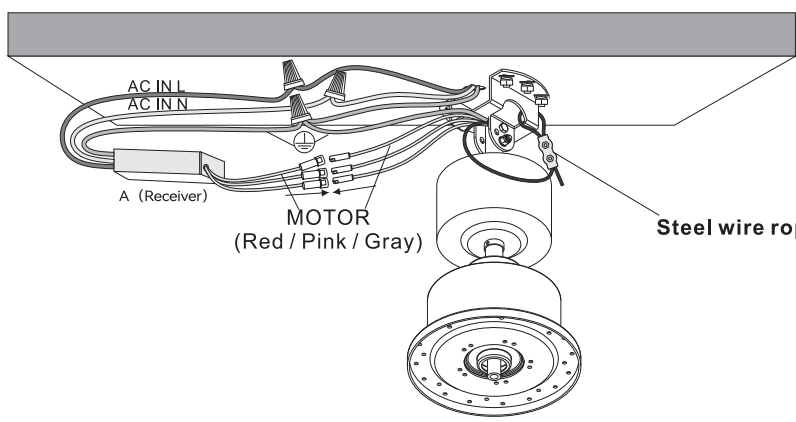


Step3



Connect and secure the downrod to the mounting bracket using long screws, ensuring the downrod is perpendicular to the ground.
Verify that all screws are fully tightened.

Step4



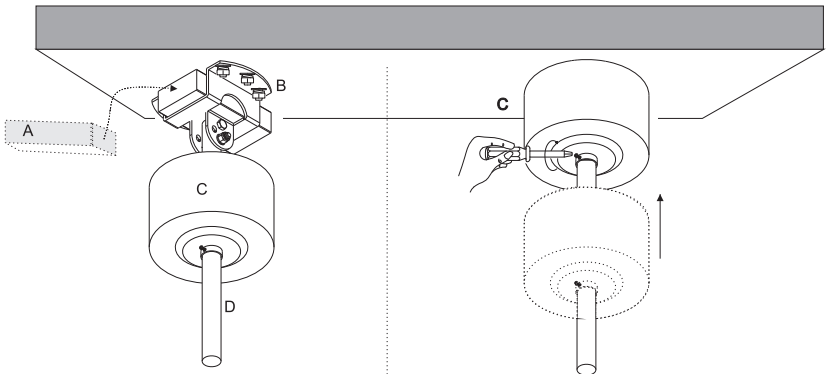
- Refer to the wiring diagram to connect the power cord, motor wires and ground wire.
- Pass the steel wire rope through the appropriate position on the mounting bracket and tighten the lock nut securely.

Note:

If the fan rotates in the reverse direction after being activated, simply swap the connections of the red wire and the gray wire.



Step 5

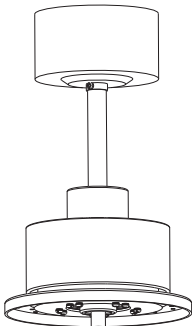


Insert the receiver (A) into the mounting bracket (B) and arrange the wires.

Slide the canopy upwards to cover the mounting bracket, then fasten it securely with the screws.

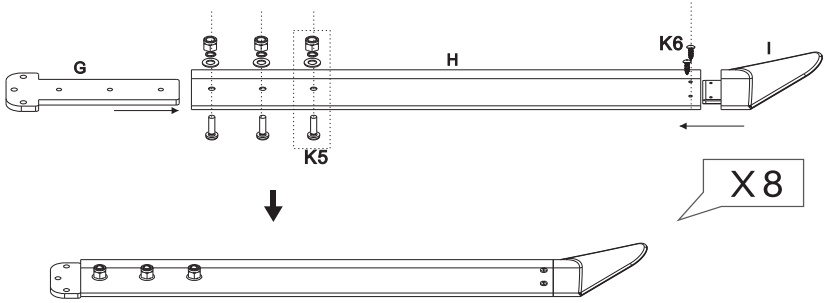
Note:

When installing the canopy, tuck the excess wires inside the canopy and ensure that no wires are pinched under any circumstances.



Excellent! You have completed the most difficult part!

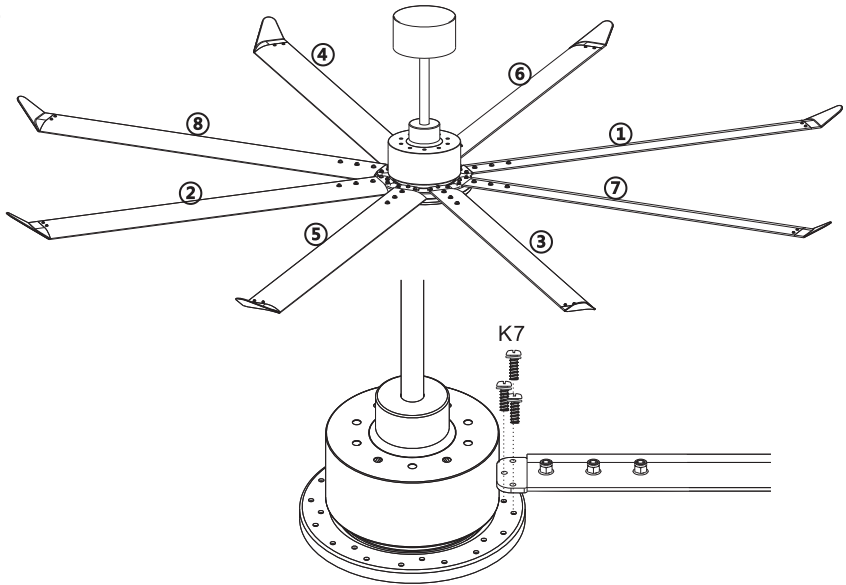
Step 6



Assemble the fan blade assembly. Ensure that all screws are fully tightened; ensure that the tail fin is securely fastened in place to prevent loosening or detachment.



Step7



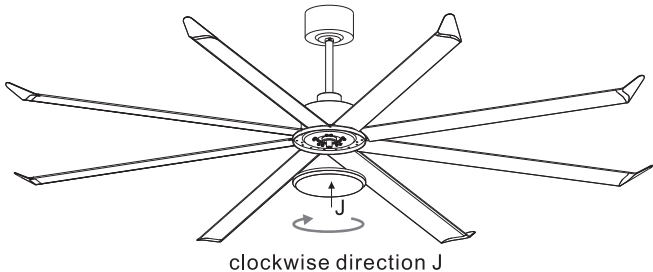
- Install the fan blades using the pre-prepared screws (K7), following the sequence of ①②③③⑤⑥⑦⑧.

This step may take time and be tiring. If you feel soreness in your hands or shoulders, take a break!

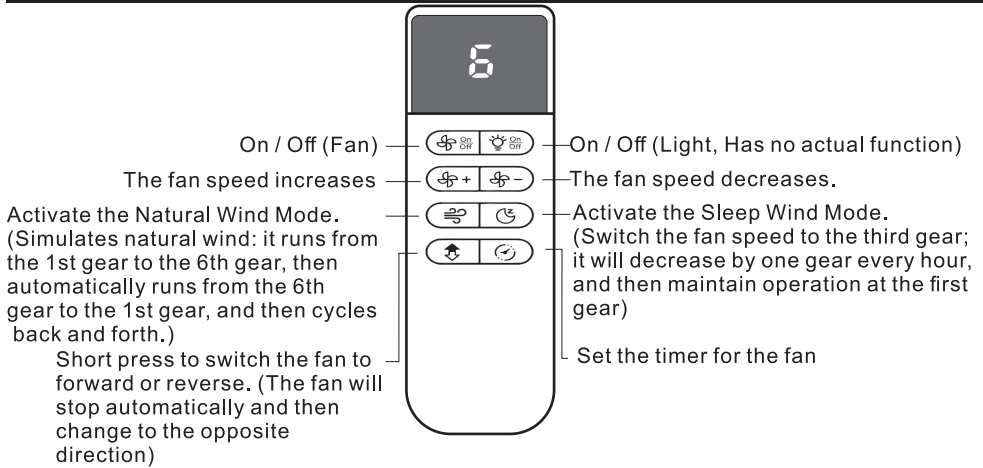
Methods to Reduce Fan Vibration:

- Ensure that all screws securing the hanger bracket, downrod, and fan blades are fully tightened.
- Handle the fan blades with care during installation to prevent deformation.

Step8

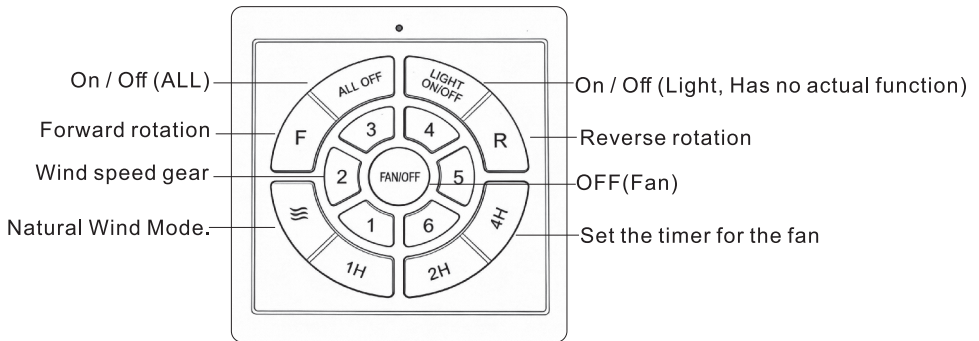


Finish



Square Remote Control (Optional)

It can be wall-mounted and requires an 86-type back box (to be prepared by the user).



Note:

- 1.5V AAA batteries (model: LR03; not included) are required for the remote control.
- To prevent damage to the transmitter, remove the batteries if the device is not used for a long time.
- Do not place the remote control in an excessively hot or humid environment.
- Different product models are equipped with different remote controls. Please refer to the actual product received.
- The product has been paired prior to delivery, and no re-pairing is required. Code pairing is only required if a new remote control is installed or no prompt beep is emitted from the receiver when the remote control buttons are pressed.
- Code Pairing Method: Turn off the power to the ceiling fan and leave it powered off for 1 minute. Reconnect the power supply, then immediately long-press the "ON/OFF FAN" button. A successful pairing is confirmed by continuous beeps.
- If pairing fails, repeat the above steps.



NOTE:

- If the fan shakes abnormally during use, please turn off the power immediately, check the fan's screws, and ensure they are tight.
- When it is quiet (especially at night), you may hear occasional small noises. This is normal. Please allow a 24-hour "breaking-in" period; most noises associated with a new fan will disappear during this time
- Your fan may occasionally jerk forward or backward upon starting up. This is normal and does not affect the fan operation.
- If the fan rotates in the reverse direction after being activated, simply swap the connections of the red wire and the gray wire. (Refer to Step 4).

Try these troubleshooting steps before contacting customer service.

Problem	Solution
Fan not spinning	<ul style="list-style-type: none"> • Ensure the fan is receiving power. • Check the functionality of your circuit breaker, fuse panel. • Verify that the fan wires are correctly connected to the house wires. • Use a multimeter to test the adapter wiring harness and check for electrical output. • Ensure the fan blades rotate freely.
The fan is noisy and wobbling	<ul style="list-style-type: none"> • Check if the blade screws are not rubbing against any part of the motor housing. • Check that the wires are not in contact with any moving parts. • Confirm that the canopy is not touching the ceiling when the fan is in operation. • Check that the downrod is not slanted. • Tighten any loose screws on the fan blades, motor coupling, downrod, brackets, and mounting hardware. • The ceiling beam must meet a minimum tensile test strength of 100 kg for installation. • Make sure the blades and brackets are not bent or deformed. • Verify that the wire connections are not rattling against each other. • Verify that the fan blades are not cracked. If the fan blades are cracked, replace the damaged blades with a new blade set from the same brand as your ceiling fan to ensure compatibility.