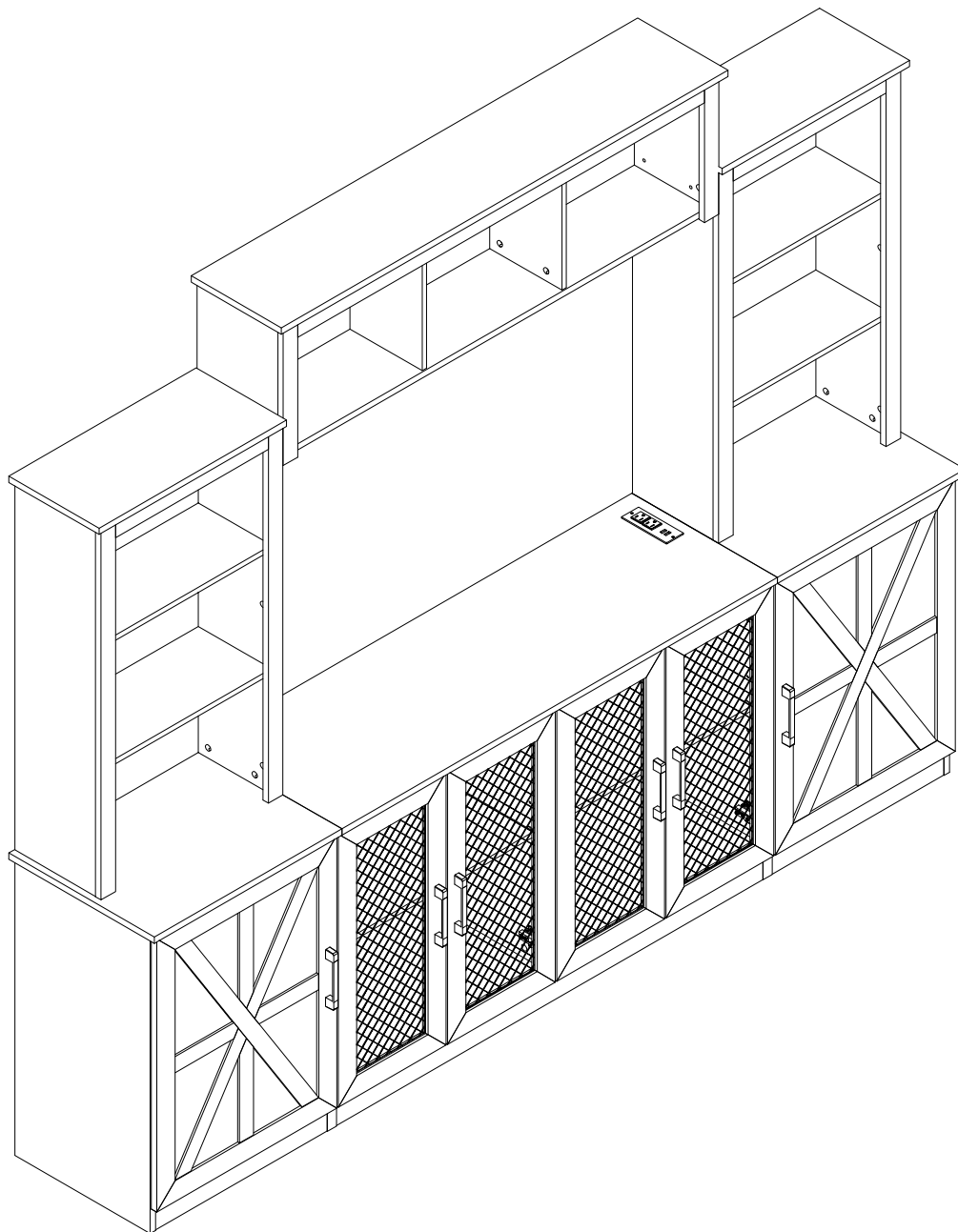
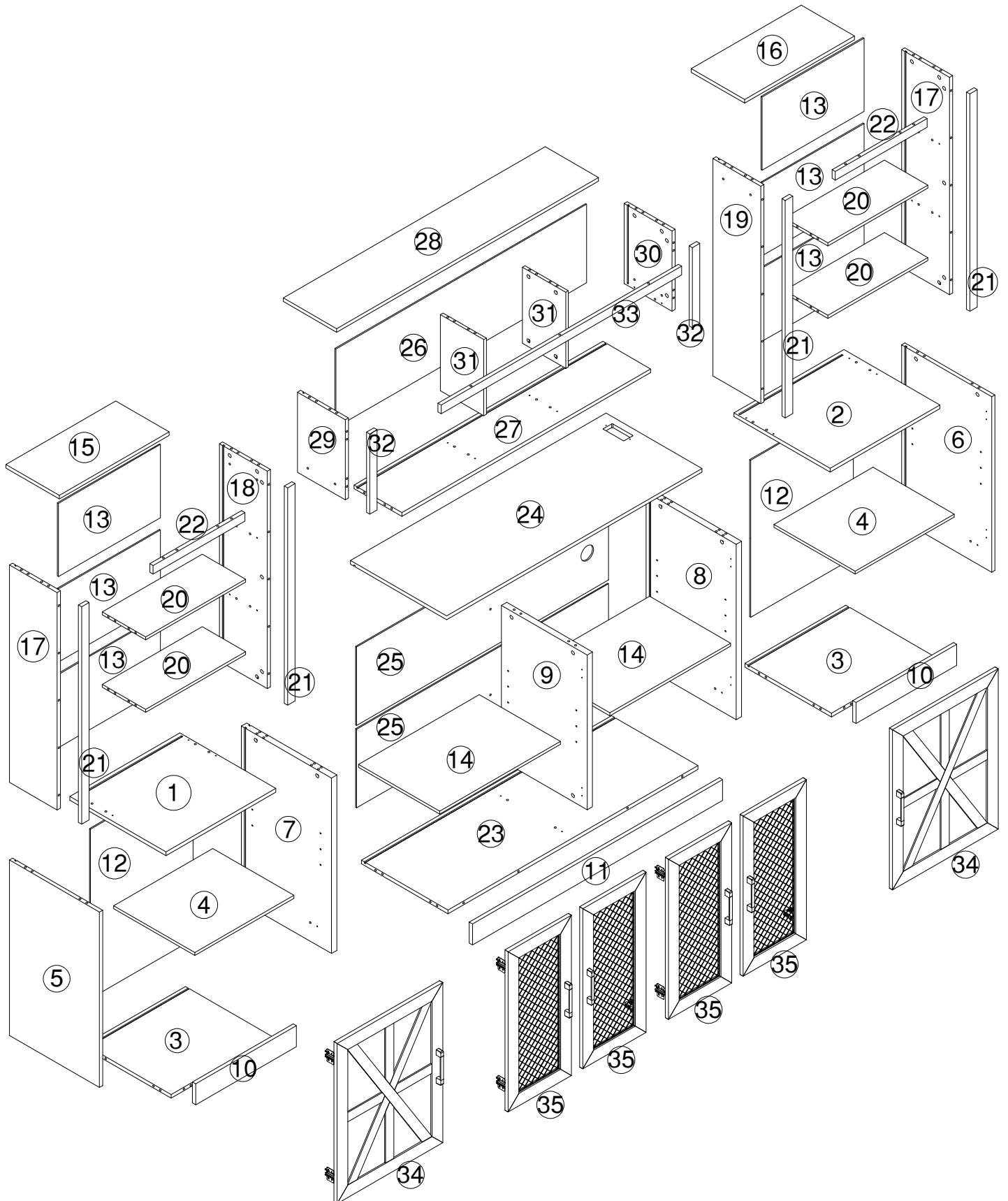


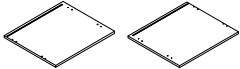
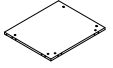


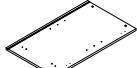




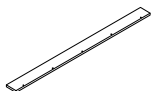
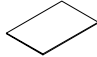
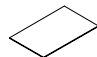

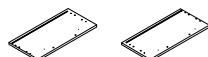



# Assembly Instructions




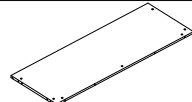
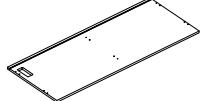
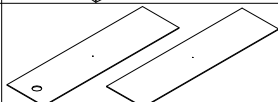
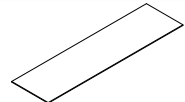

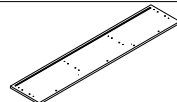




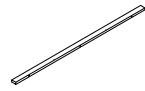
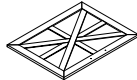
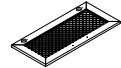


# Exploded view

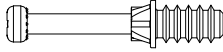
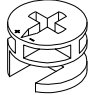
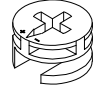
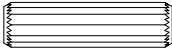
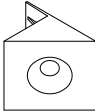
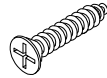
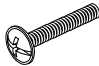
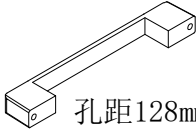
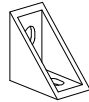
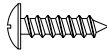
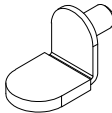
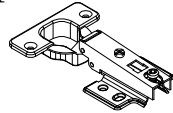
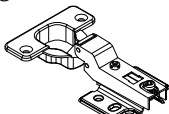
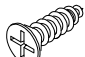
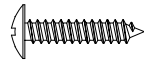
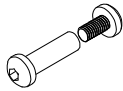

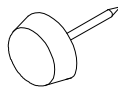
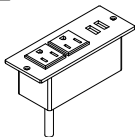
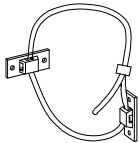

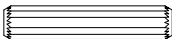


# Component parts supplied

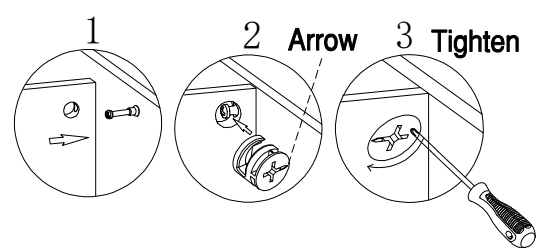
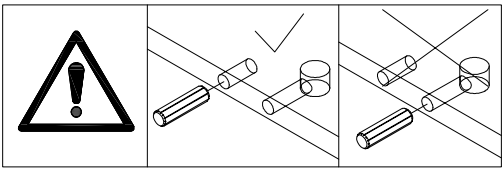
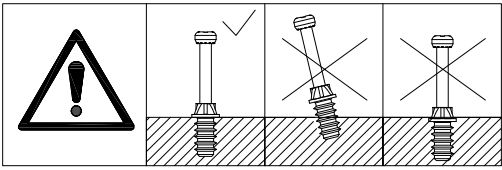
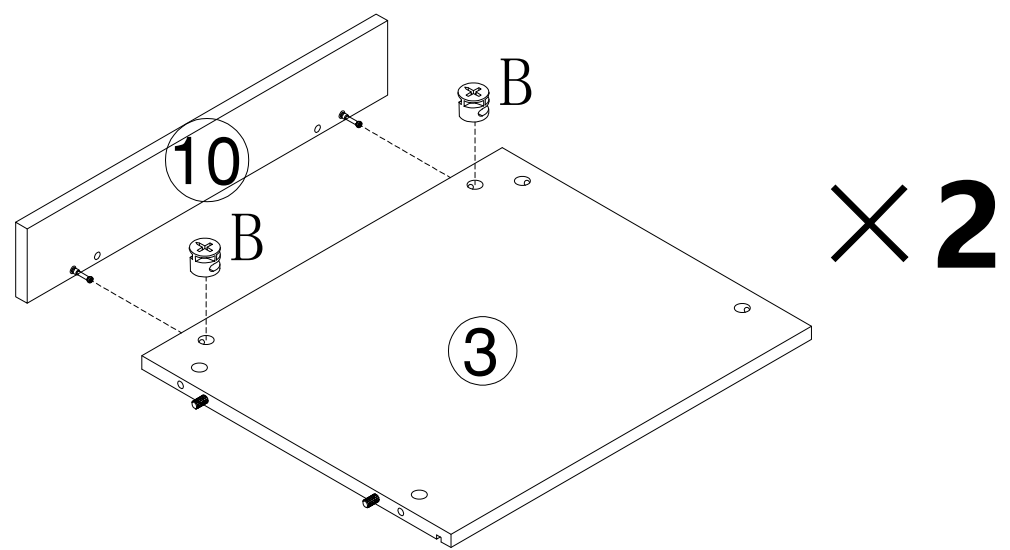
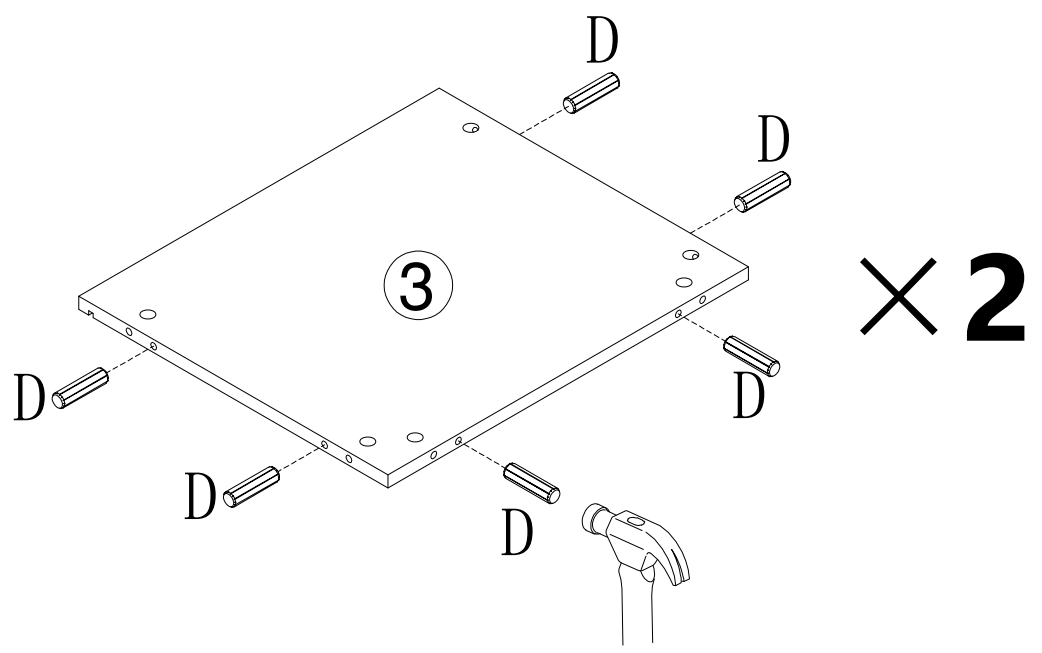
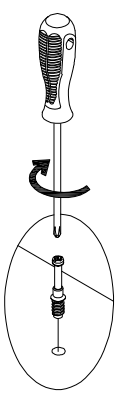
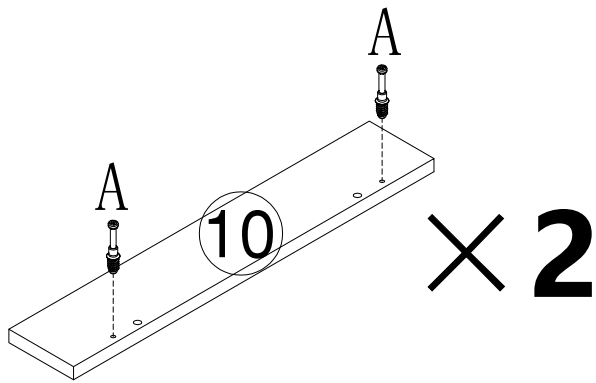
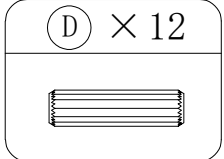
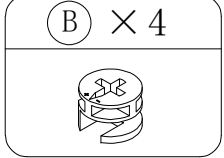
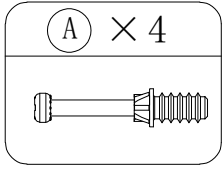
Ref	Dimensions	Visual	Qty
1/2	515*400*15		2
3	472*355*15		2
4	464*324*12		2
5	712*372*15		1
6	712*372*15		1
7	712*372*25		1
8	712*372*25		1
9	628*352*25		1
10	472*84.5*15		2
11	1172*84.5*15		1
12	637*481*5		2
13	478*297*5		6
14	566*324*12		2
15/16	515*248*15		2
17	882*222*15		2
18	882*222*15		1
19	882*222*15		1

Ref	Dimensions	Visual	Qty
20	469*201*12		4
21	882*40*15		4
22	420*40*15		2
23	1172*355*15		1
24	1197*400*15		1
25	1181*318.5*5		2
26	1175*318.5*5		1
27	1166*220*15		1
28	1227*248*15		1
29	325*222*15		1
30	325*222*15		1
31	309*198*12		2
32	325*40*15		2
33	1117*40*15		1
34	650*496*15		2
35	650*296*15		4

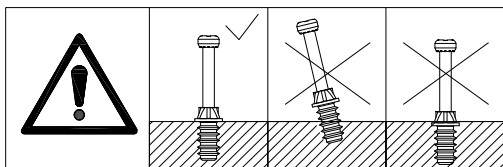
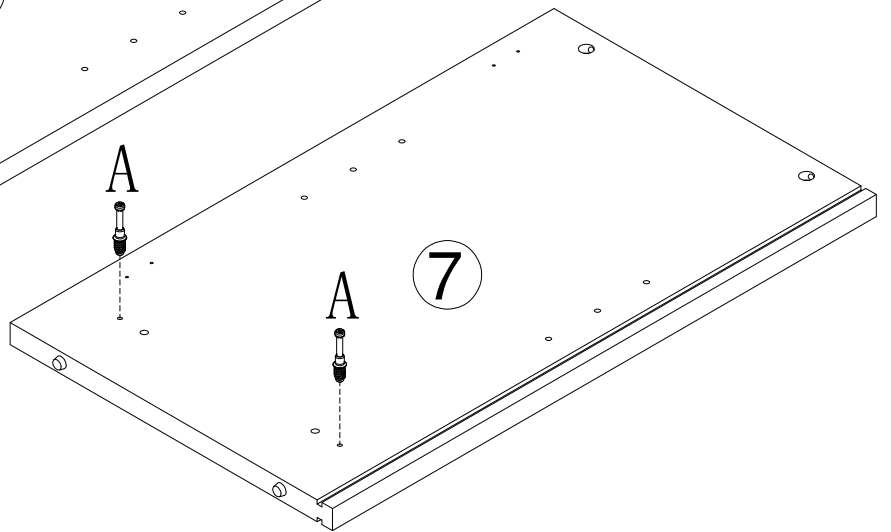
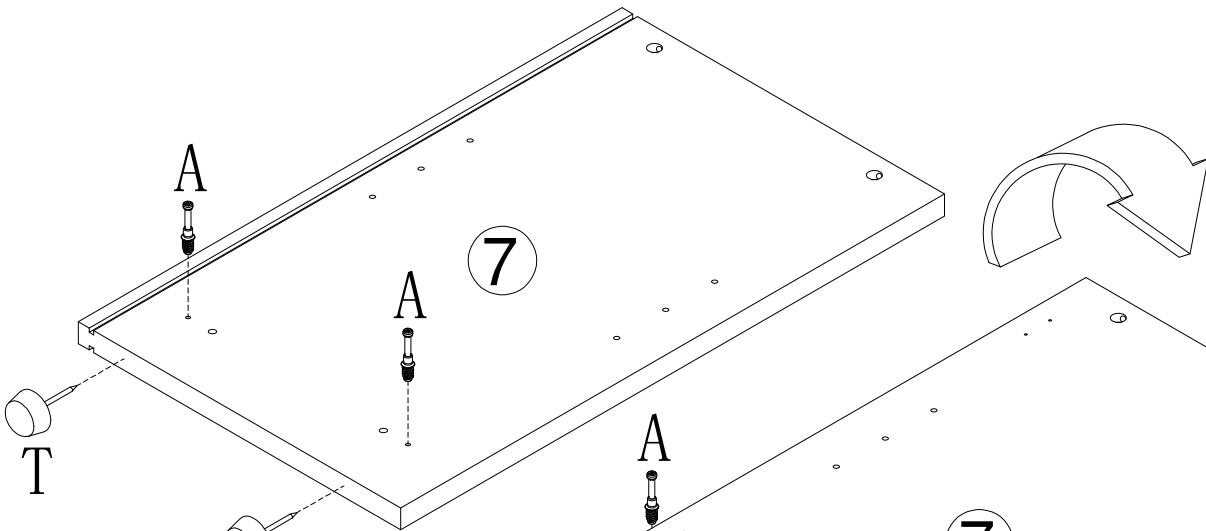
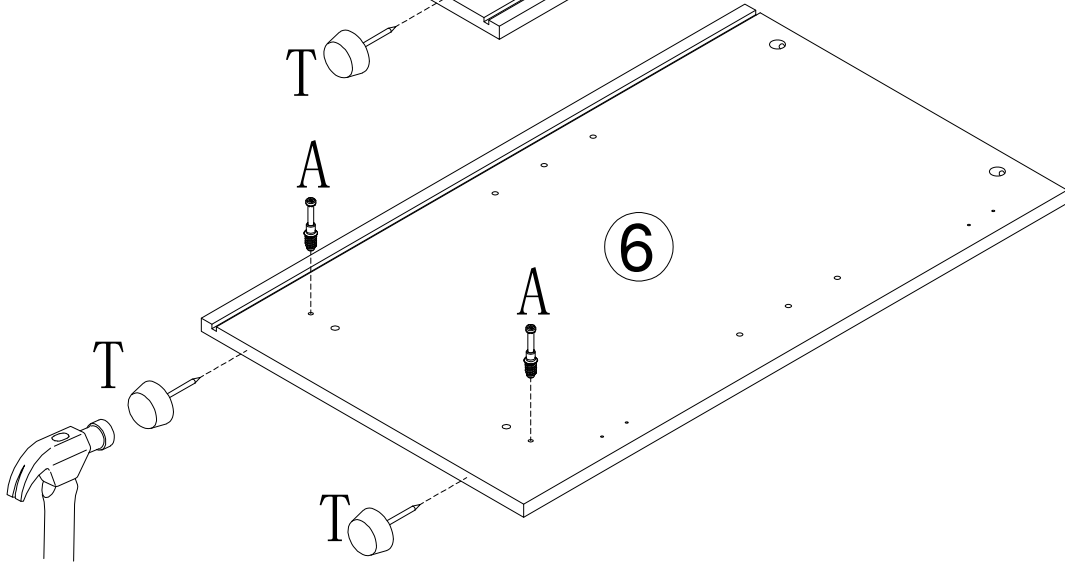
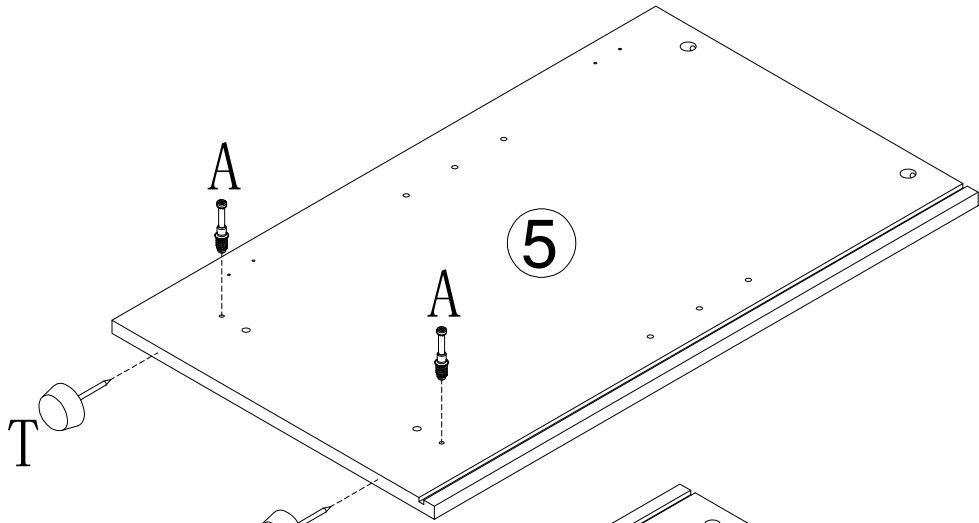
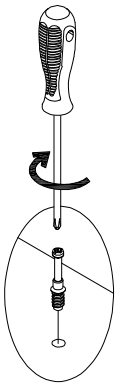
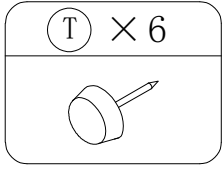
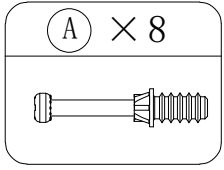
# Parts and fittings

<p>(A) × 99</p>  <p>Φ 6 × 34mm</p>	<p>(B) × 67</p>  <p>Φ 15 × 12mm</p>	<p>(C) × 32</p>  <p>Φ 15 × 10mm</p>
<p>(D) × 89</p>  <p>Φ 8 × 30mm</p>	<p>(E) × 28</p> 	<p>(F) × 28</p>  <p>Φ 3 × 18mm</p>
<p>(G) × 12</p>  <p>M4 × 19mm</p>	<p>(H) × 6</p>  <p>孔距 128mm</p>	<p>(J) × 6</p>  <p>Plastic Connector</p>
<p>(K) × 12</p>  <p>Φ 4 × 12mm</p>	<p>(L) × 16</p> 	<p>(M) × 4</p>  <p>Full overlay hinge</p>
<p>(N) × 8</p>  <p>Partial overlay hinge</p>	<p>(P) × 48</p>  <p>Φ 4 × 15mm</p>	<p>(Q) × 2</p>  <p>Φ 4 × 25mm</p>
<p>(R) × 4</p>  <p>Φ 8 × 25mm</p>	<p>(S) × 2</p>  <p>Φ 3.5 × 12mm</p>	<p>(T) × 8</p> 
<p>(U) × 1</p> 	<p>(V) × 2</p> 	<p>(W) × 2</p>  <p>4mm</p>
<p>(Y) × 12</p> 		

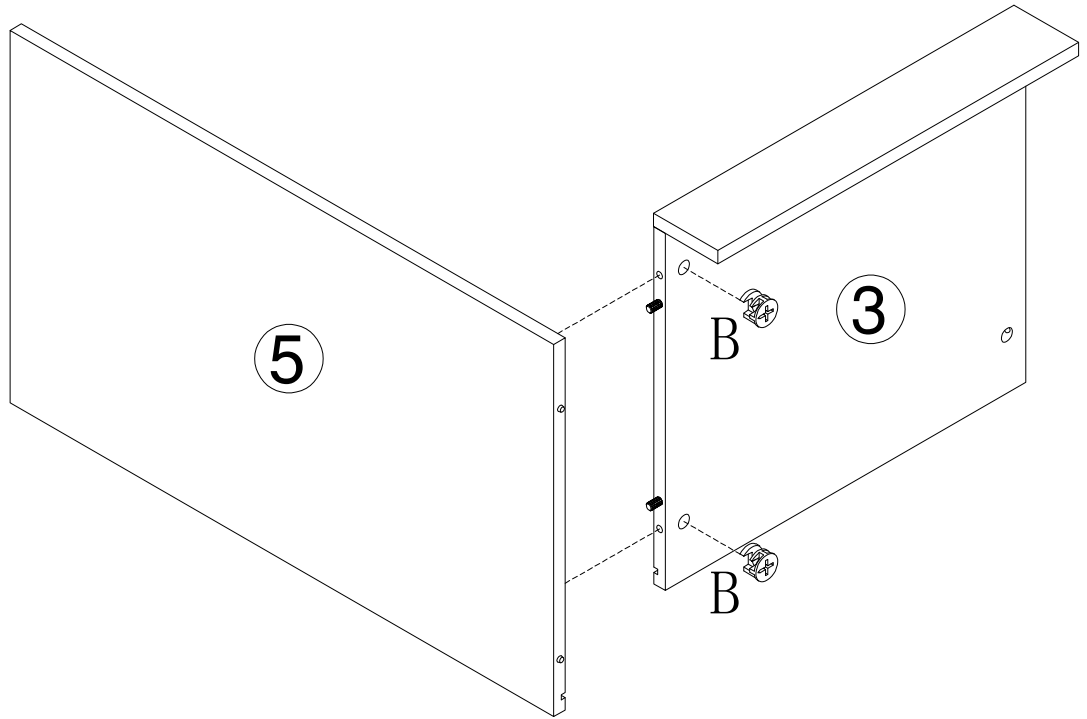
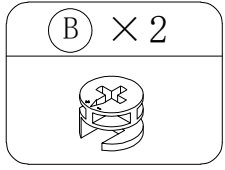
# Step 1



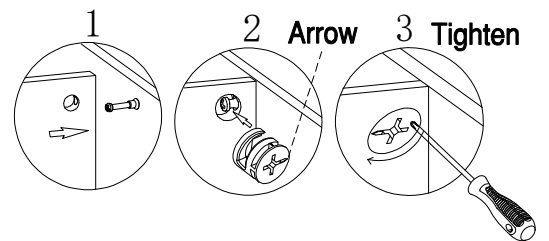
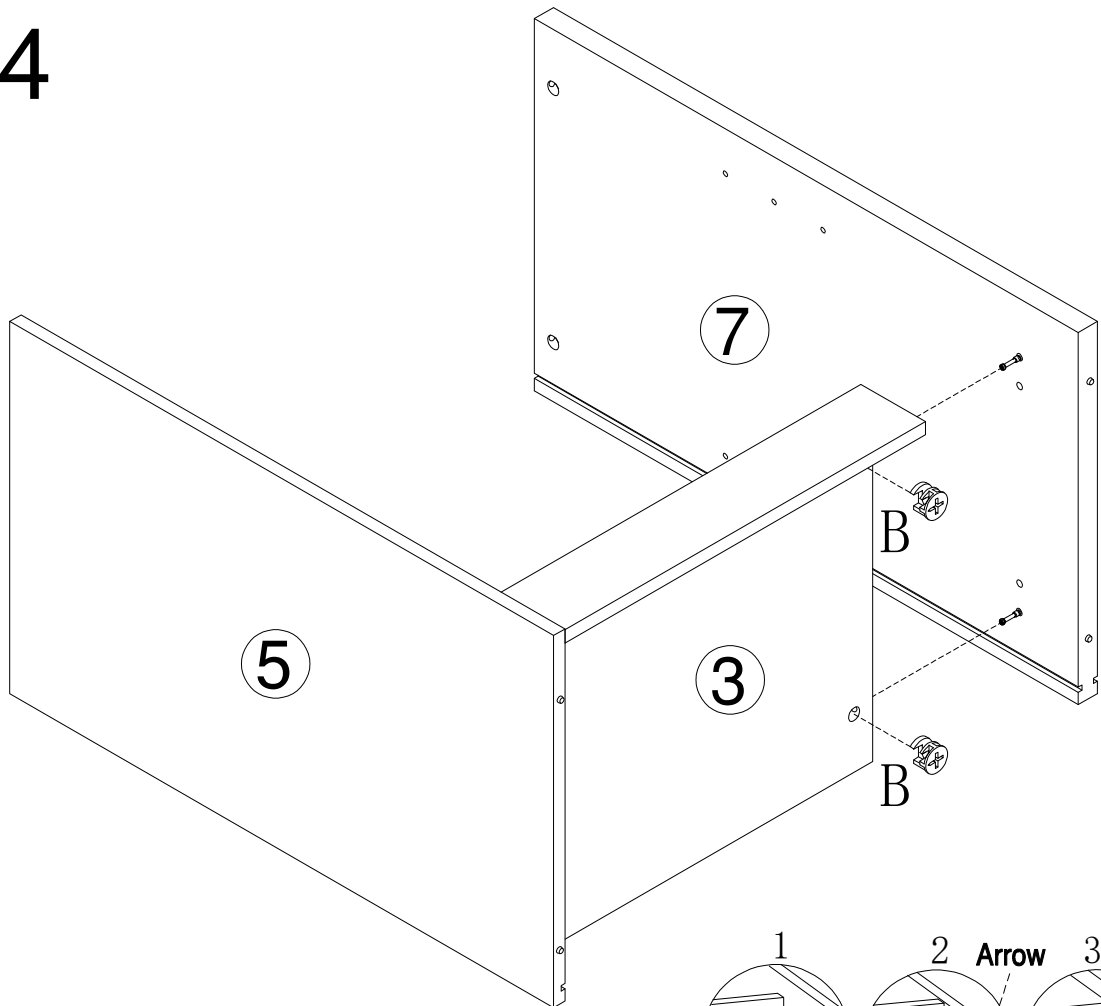
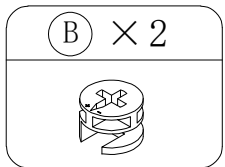
# Step 2



# Step 3

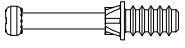


# Step 4



# Step 5

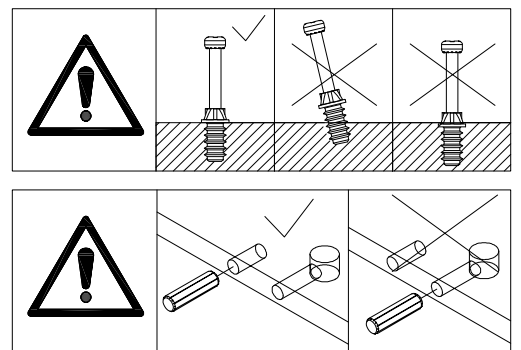
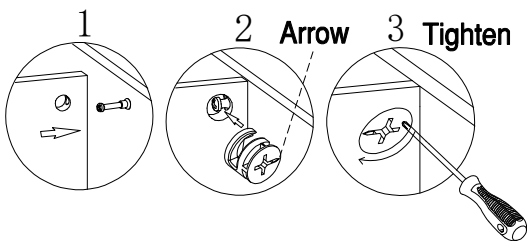
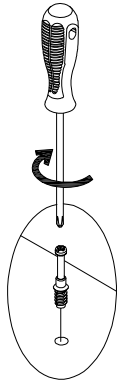
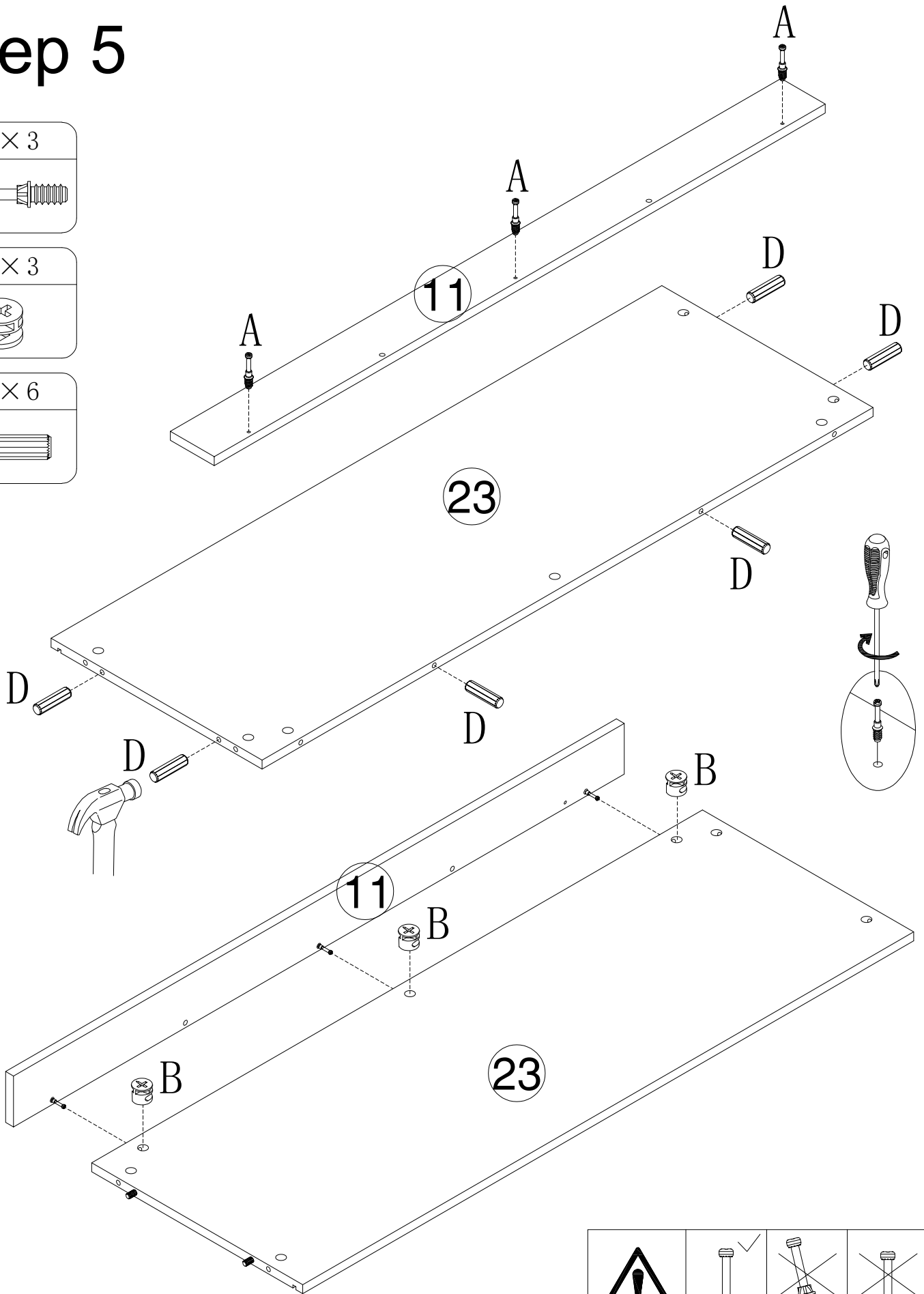
(A) × 3



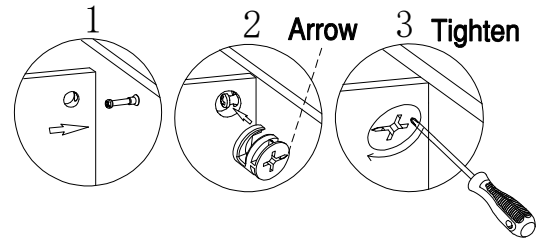
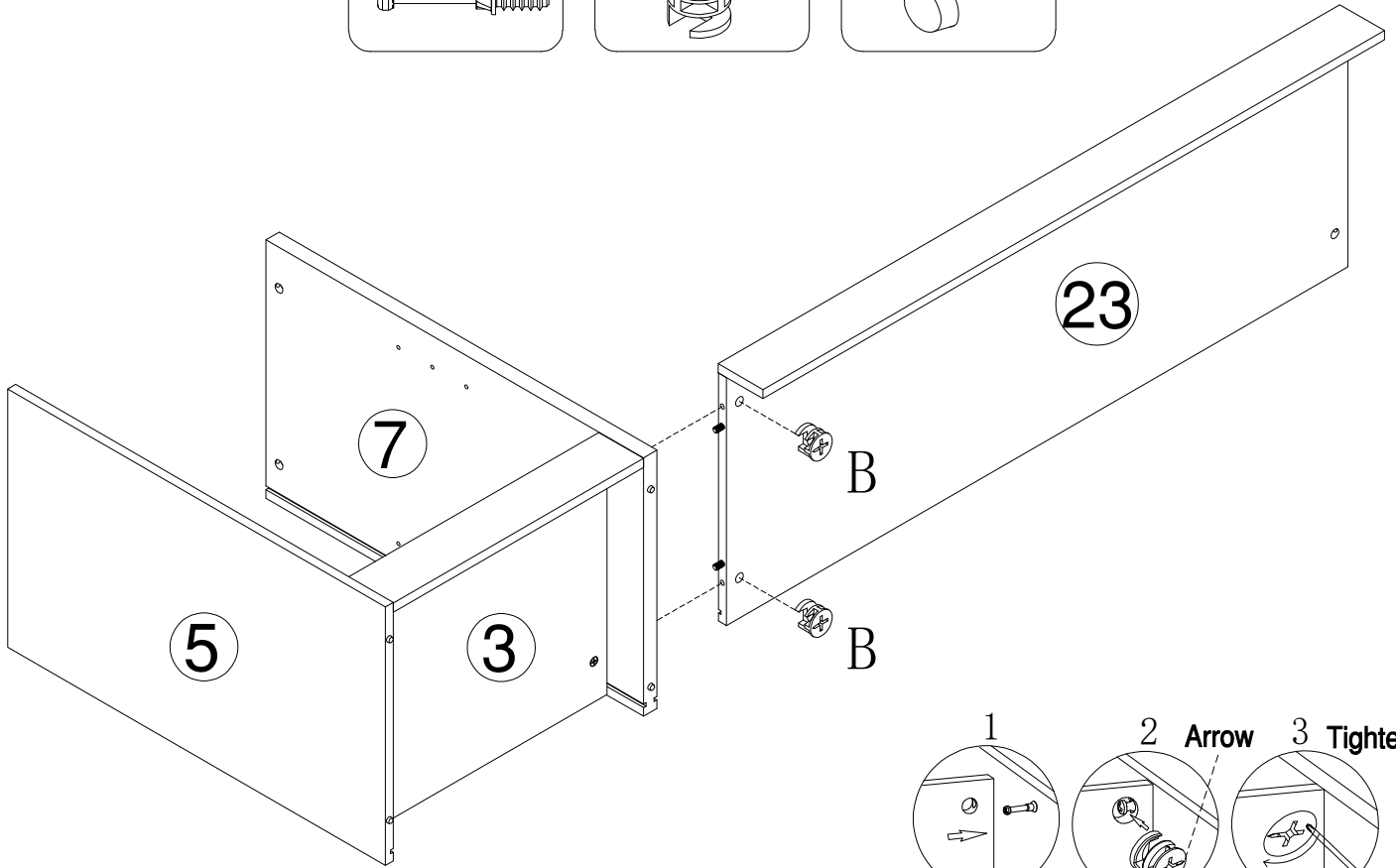
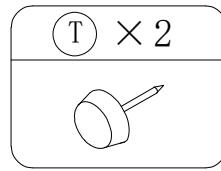
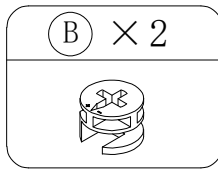
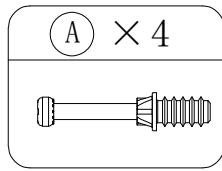
(B) × 3



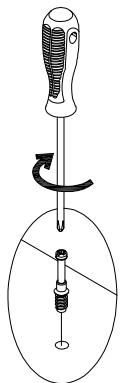
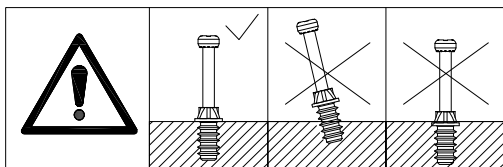
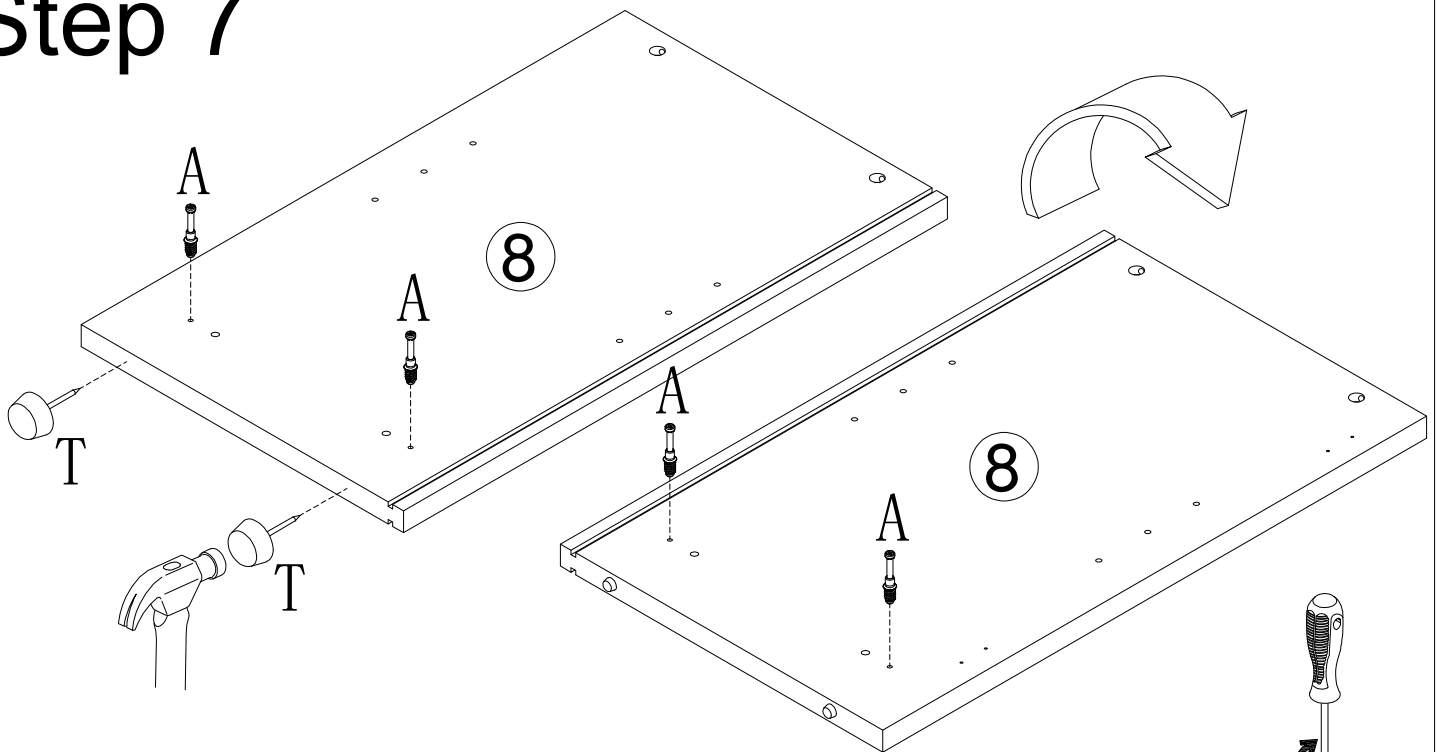
(D) × 6



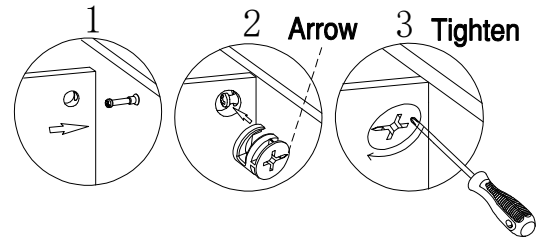
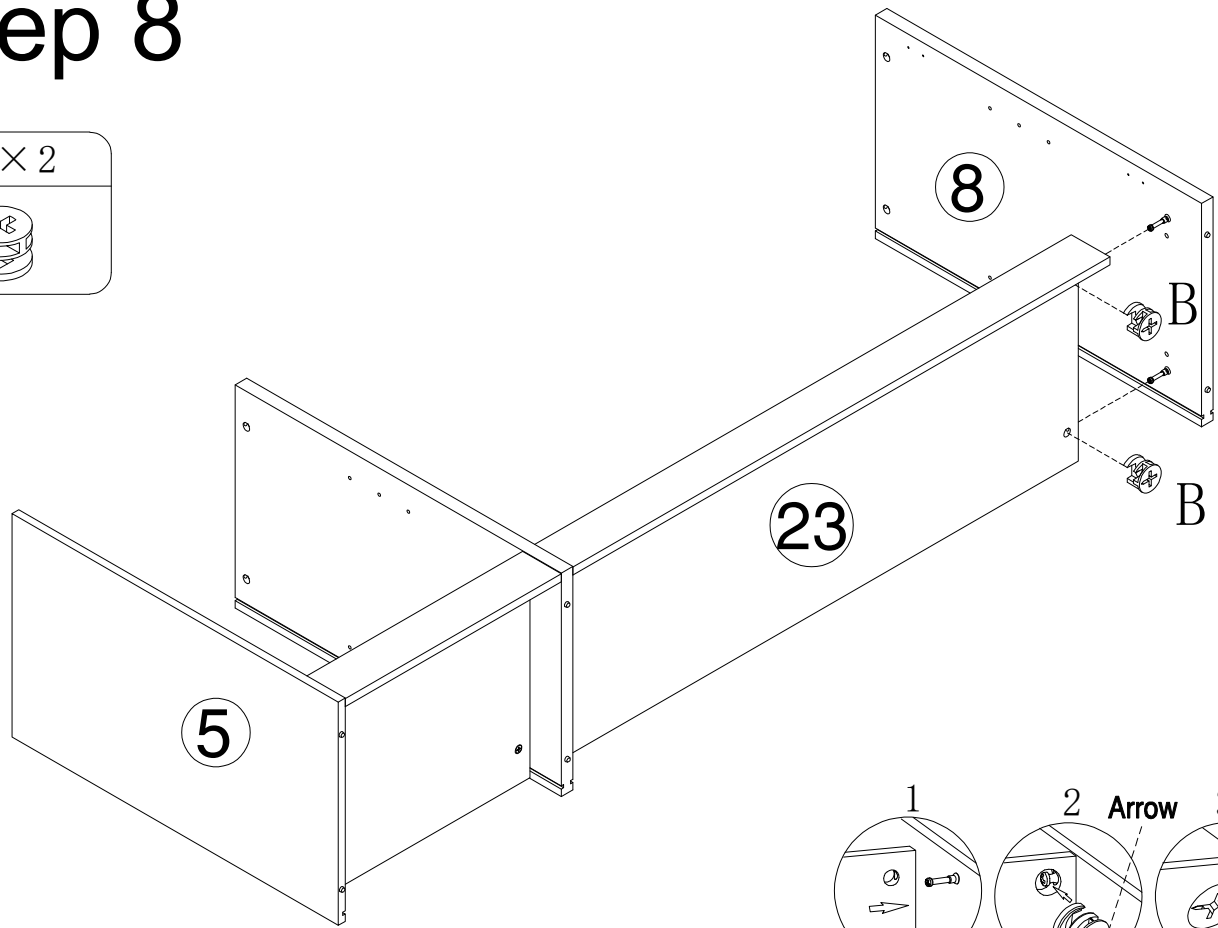
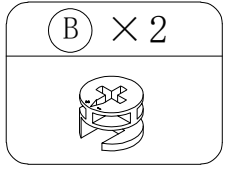
# Step 6



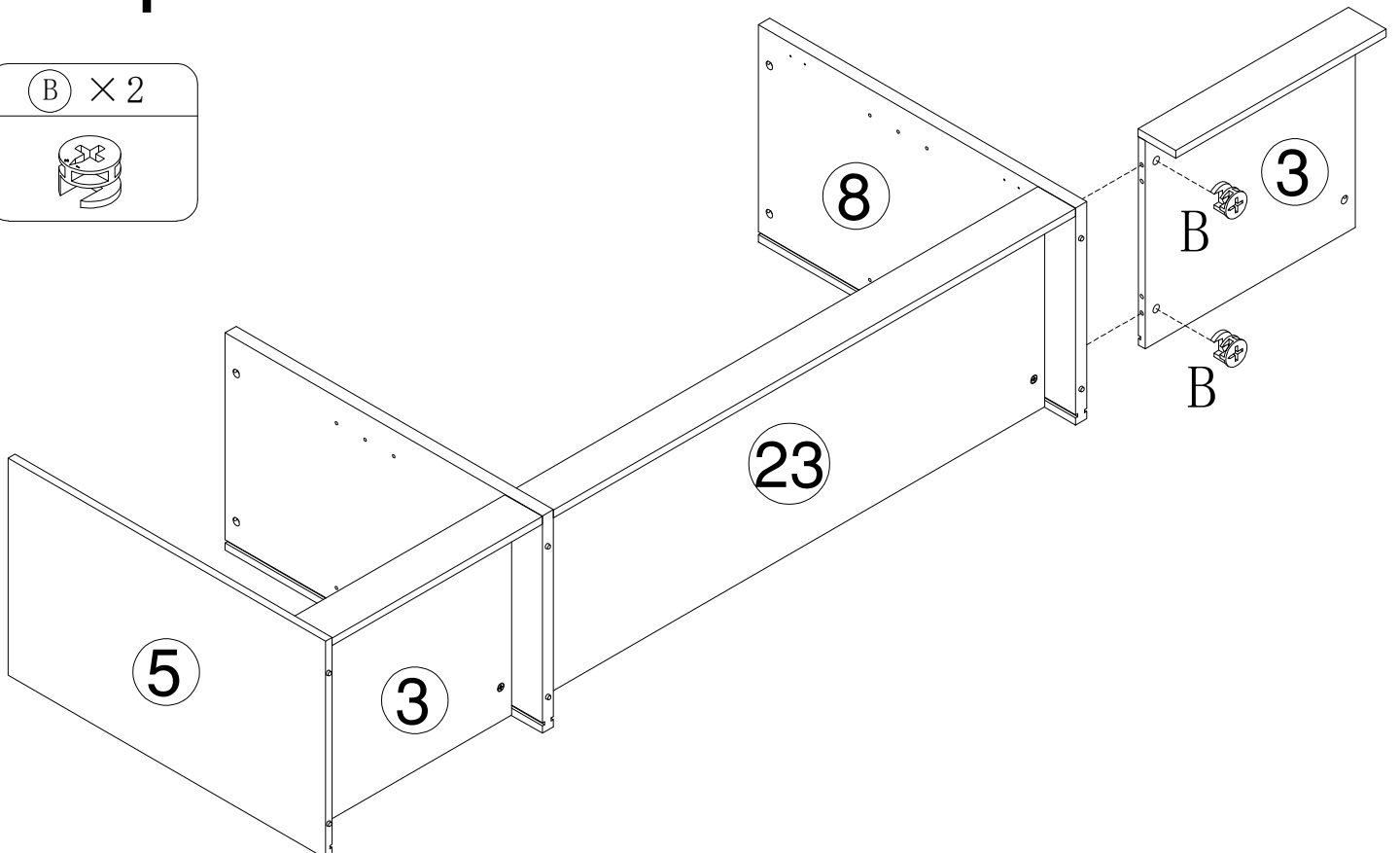
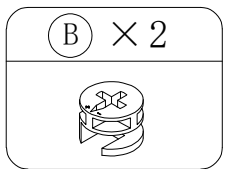
# Step 7



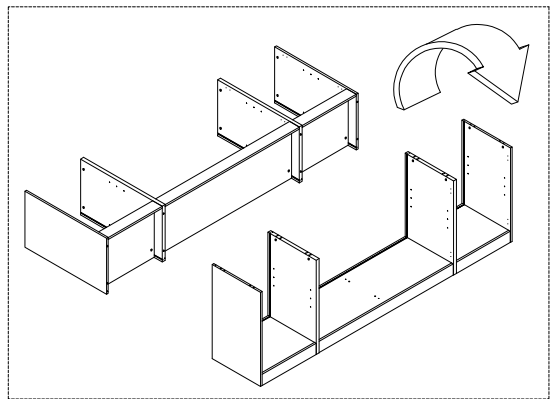
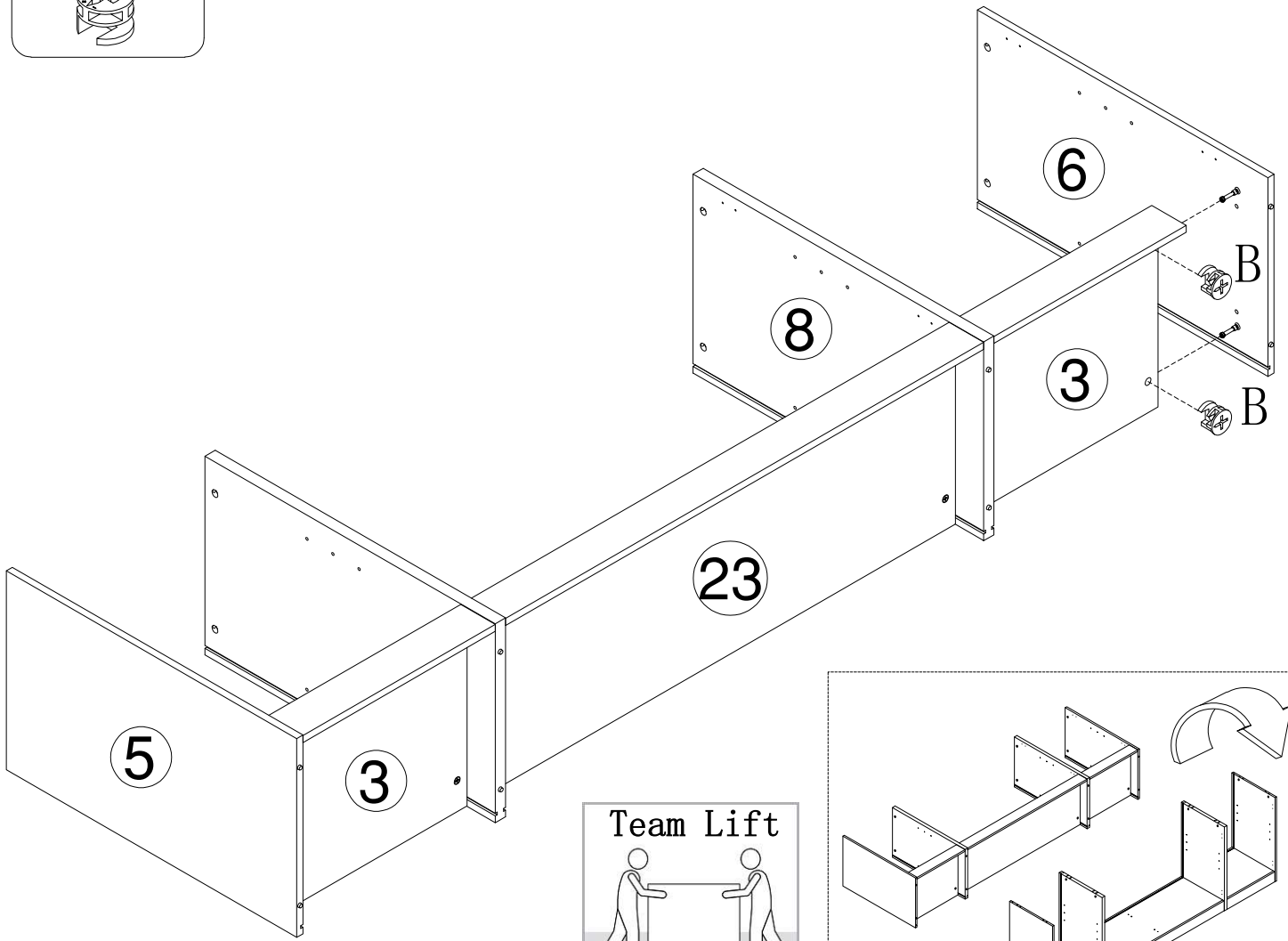
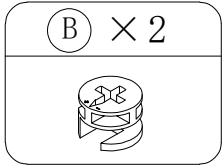
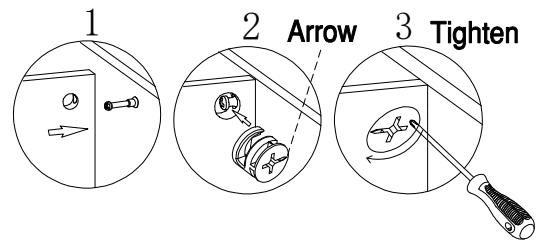
# Step 8



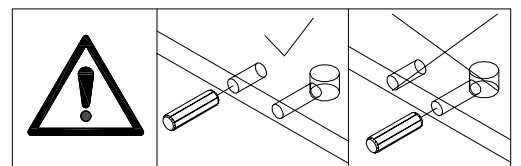
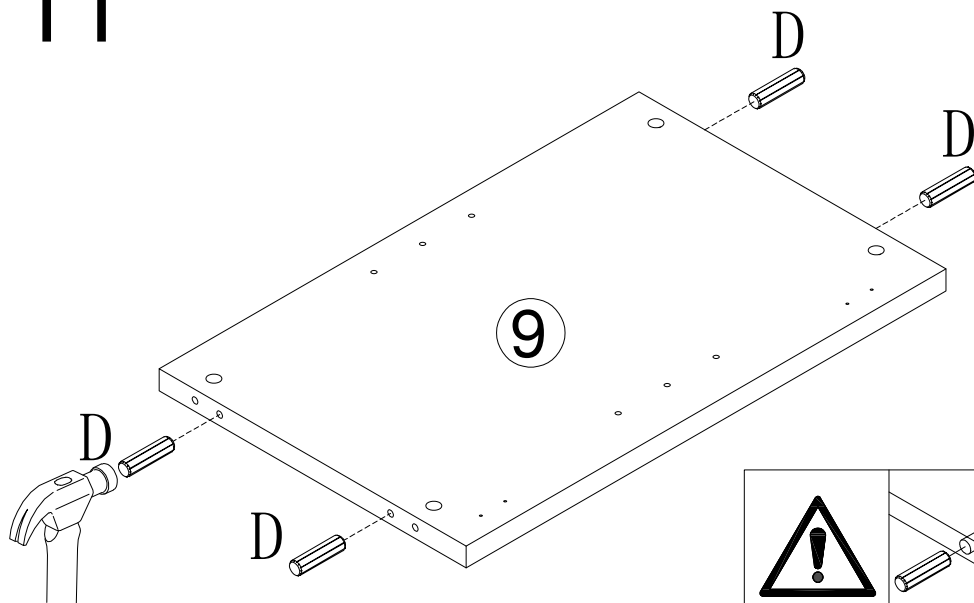
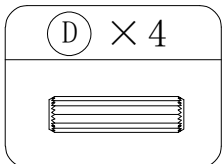
# Step 9



# Step 10

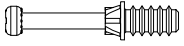


# Step 11

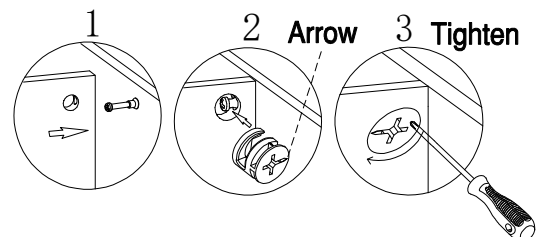
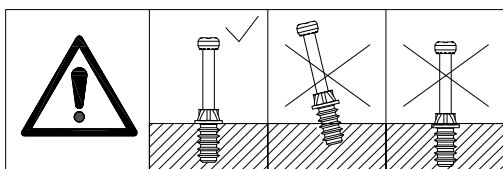
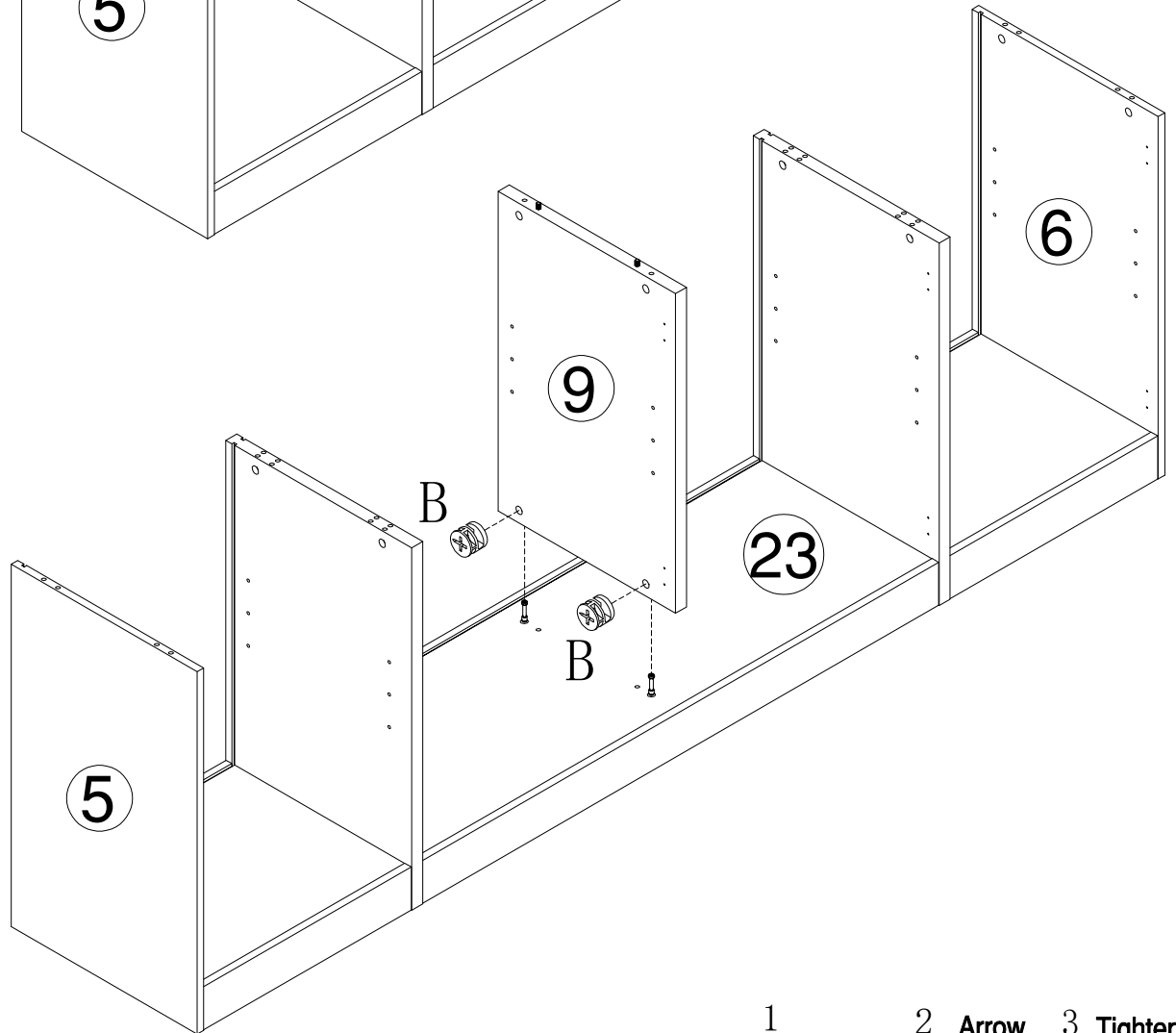
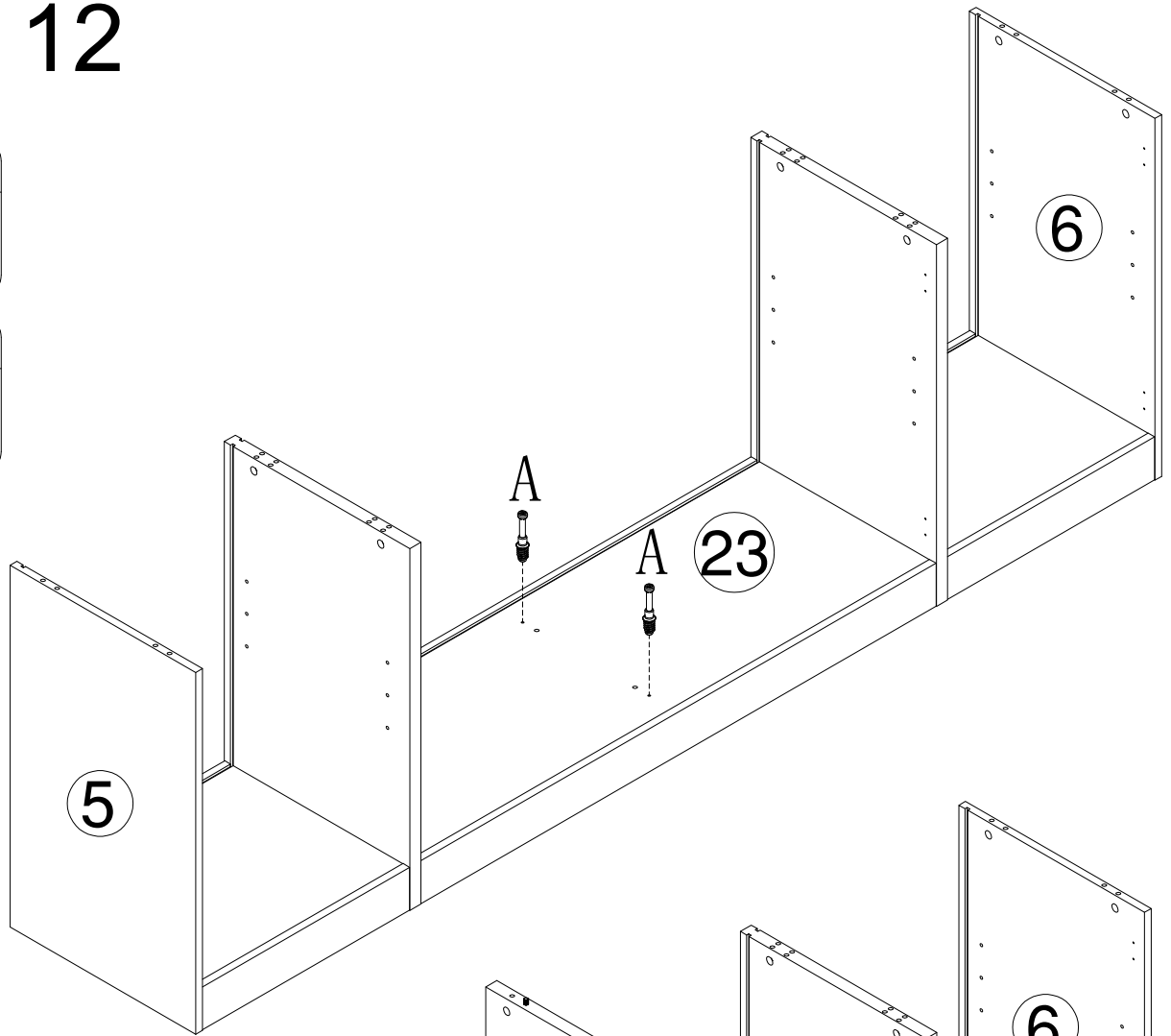
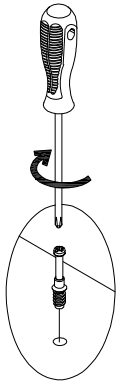


# Step 12

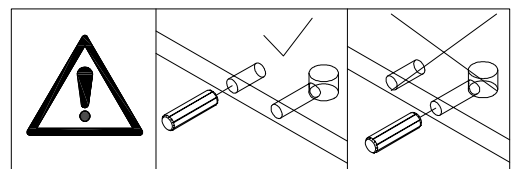
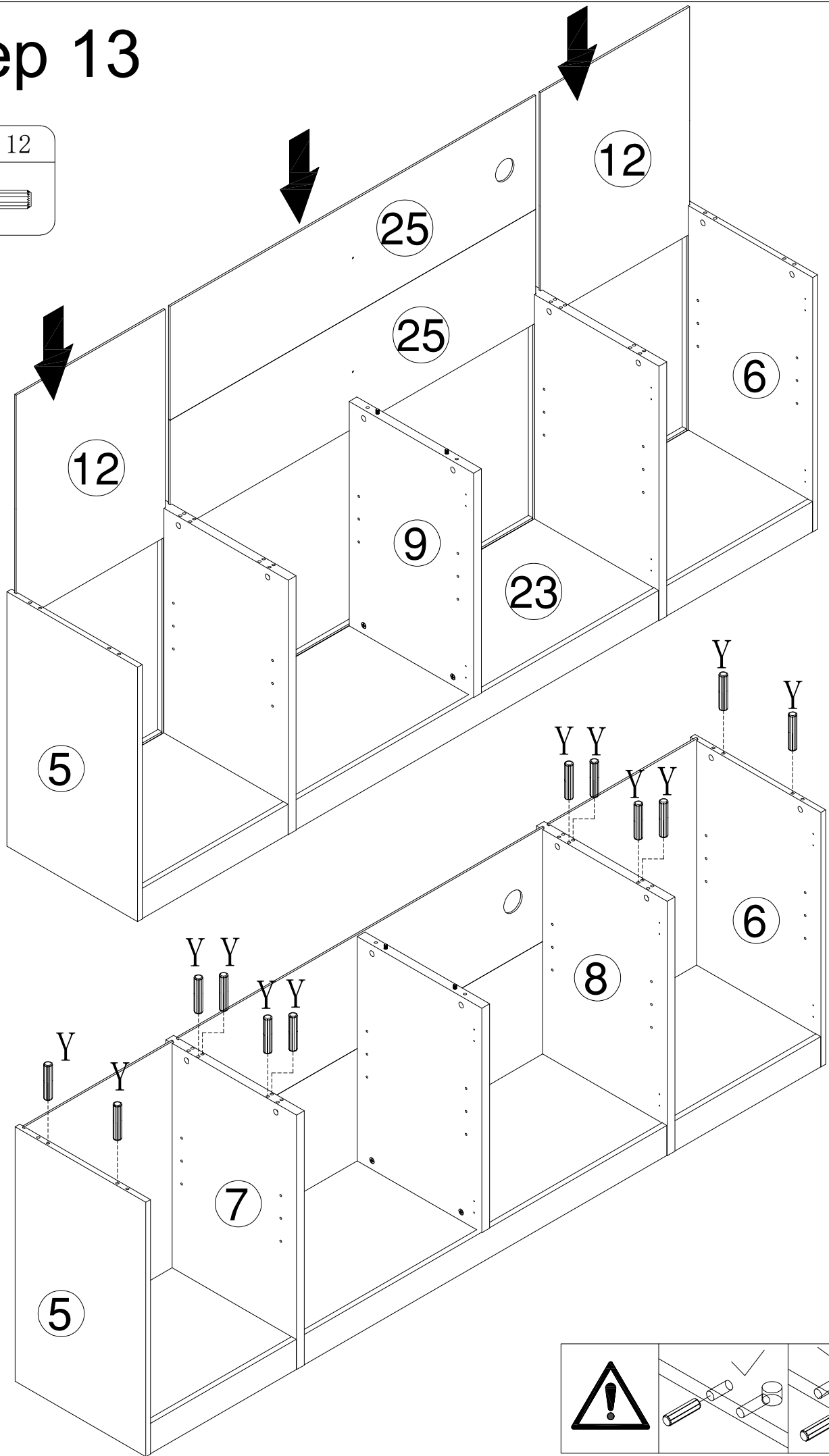
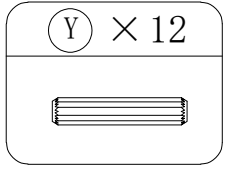
(A) × 2



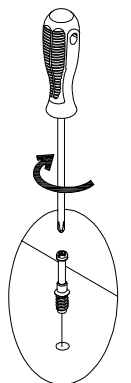
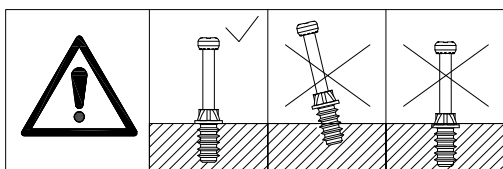
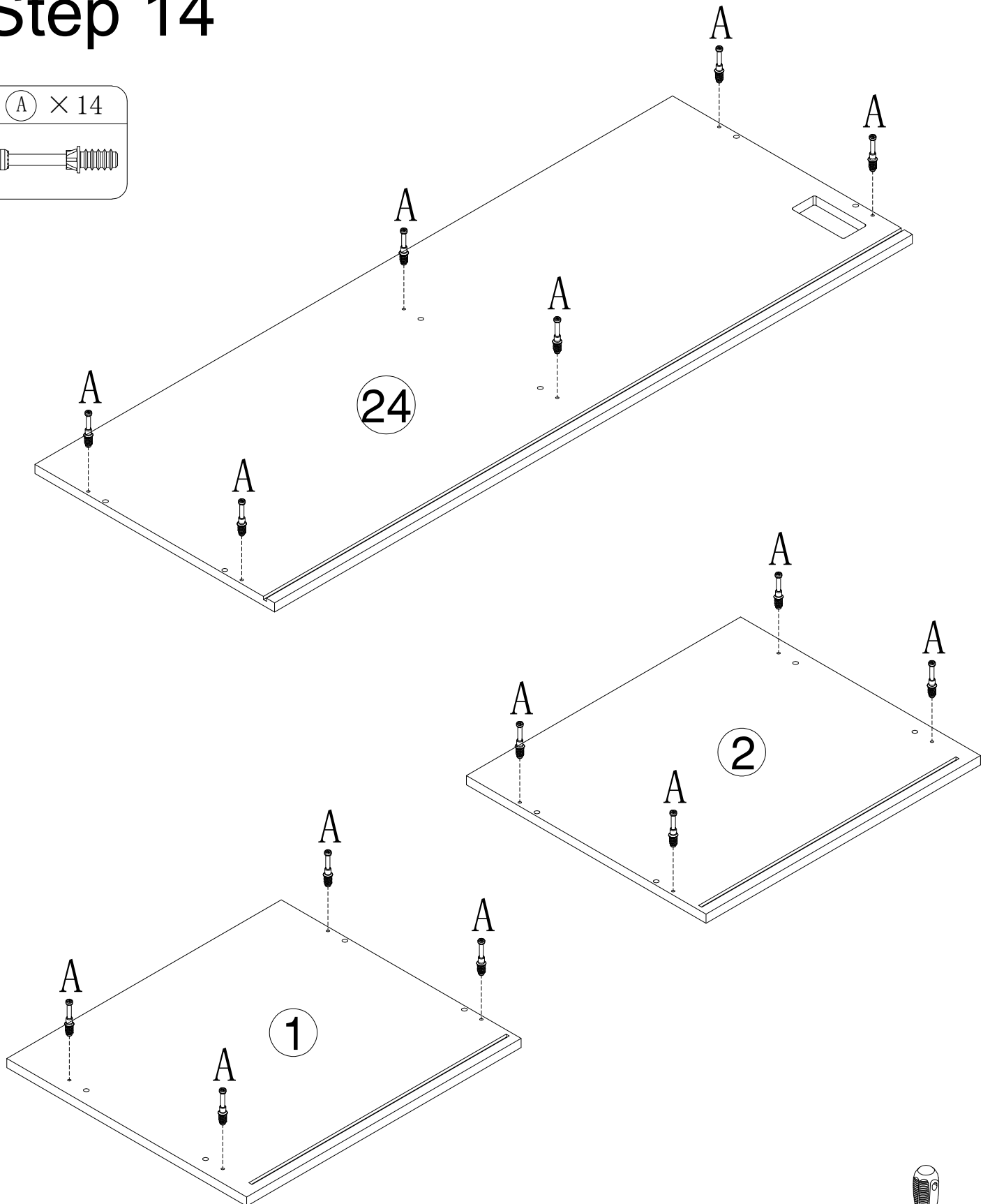
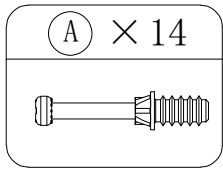
(B) × 2



# Step 13



# Step 14

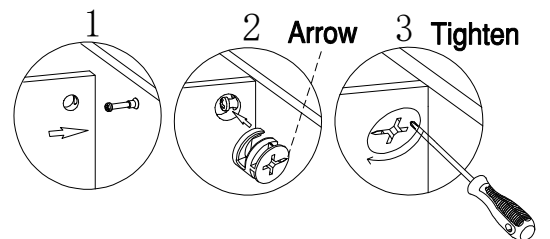
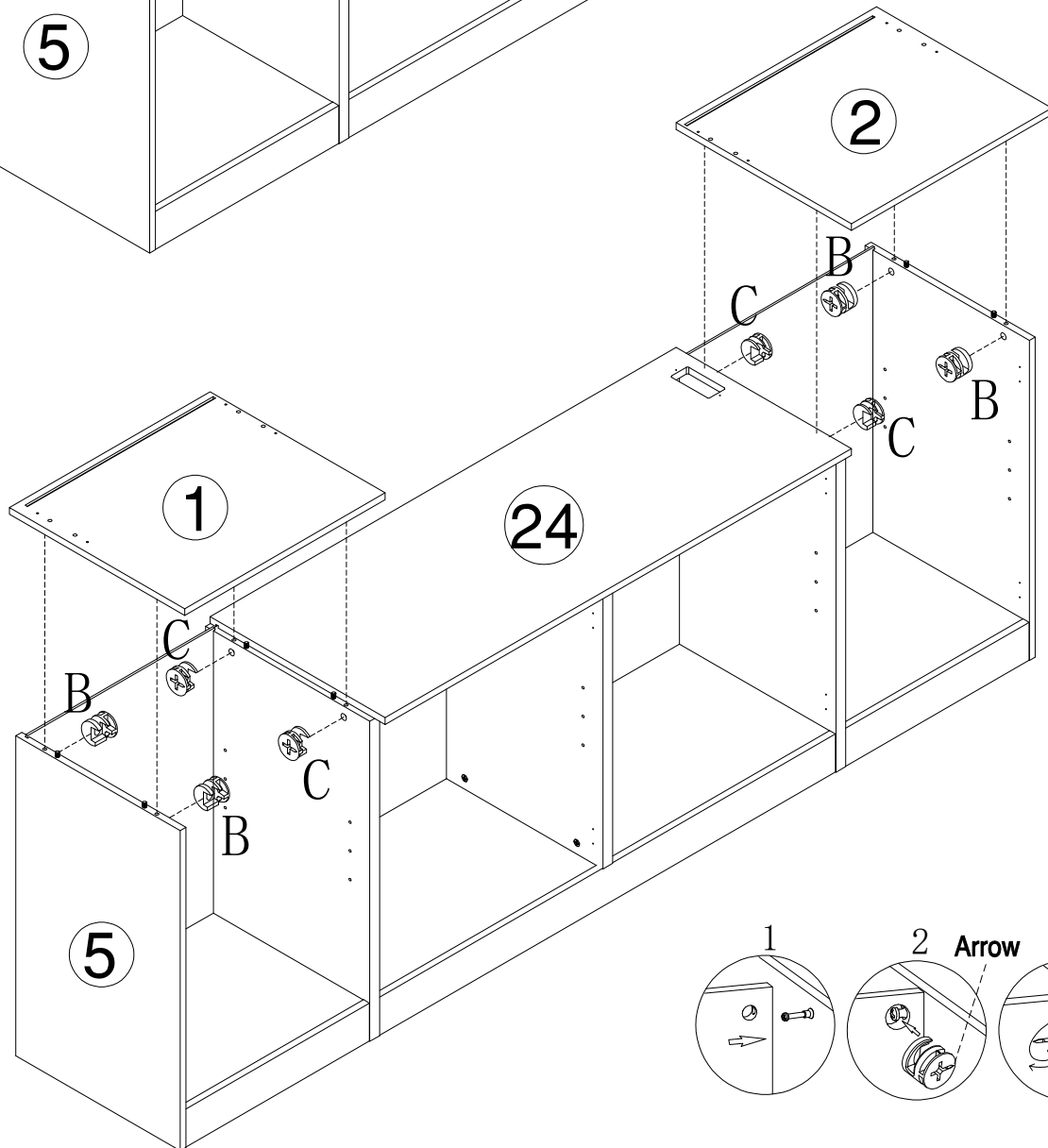
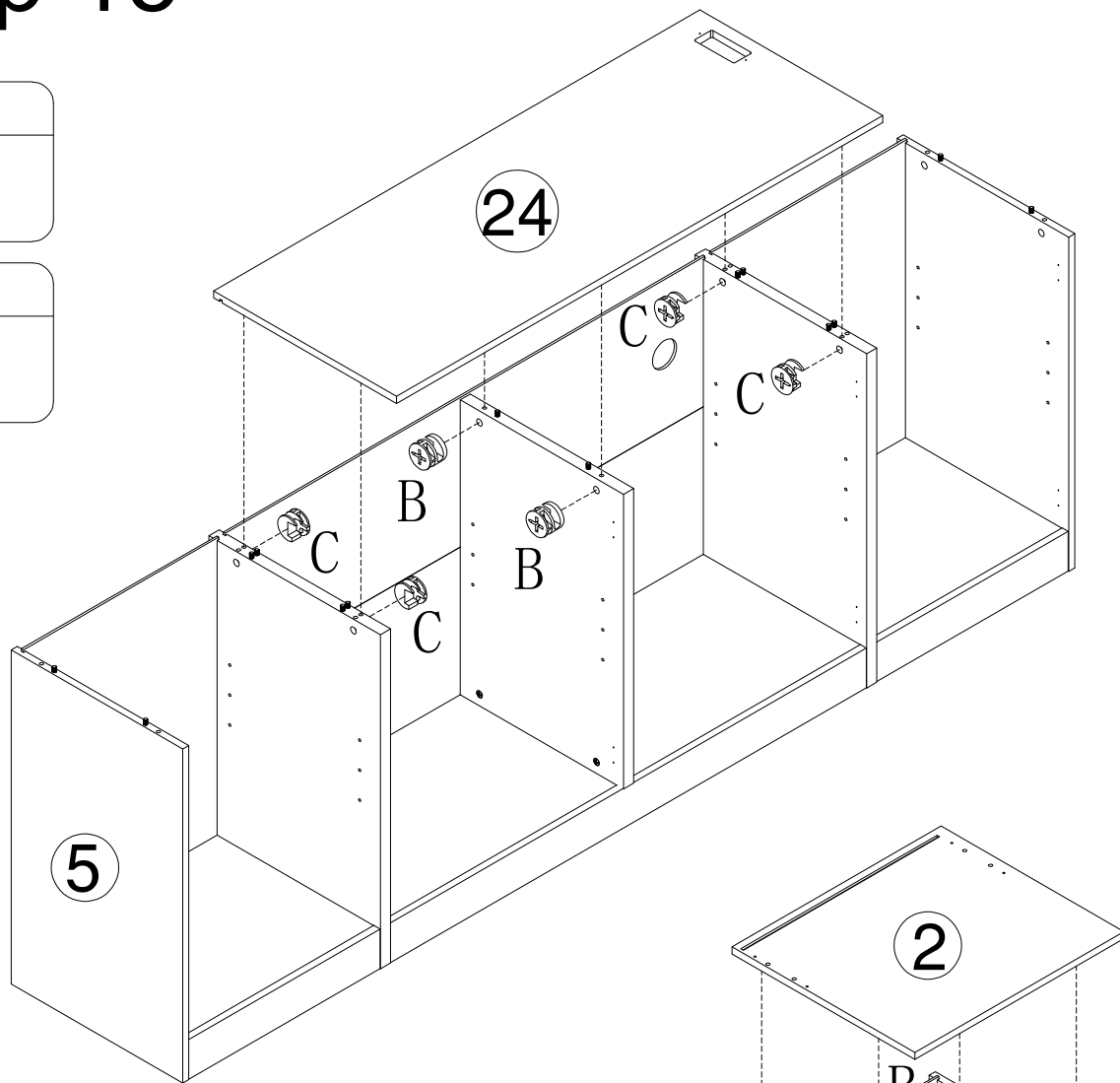


# Step 15

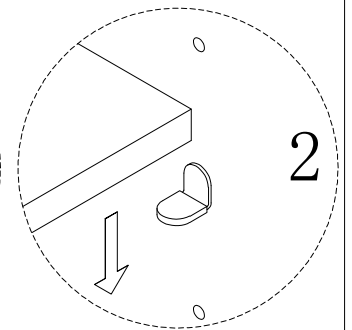
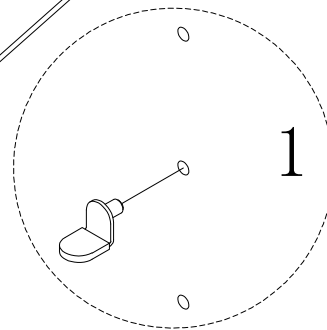
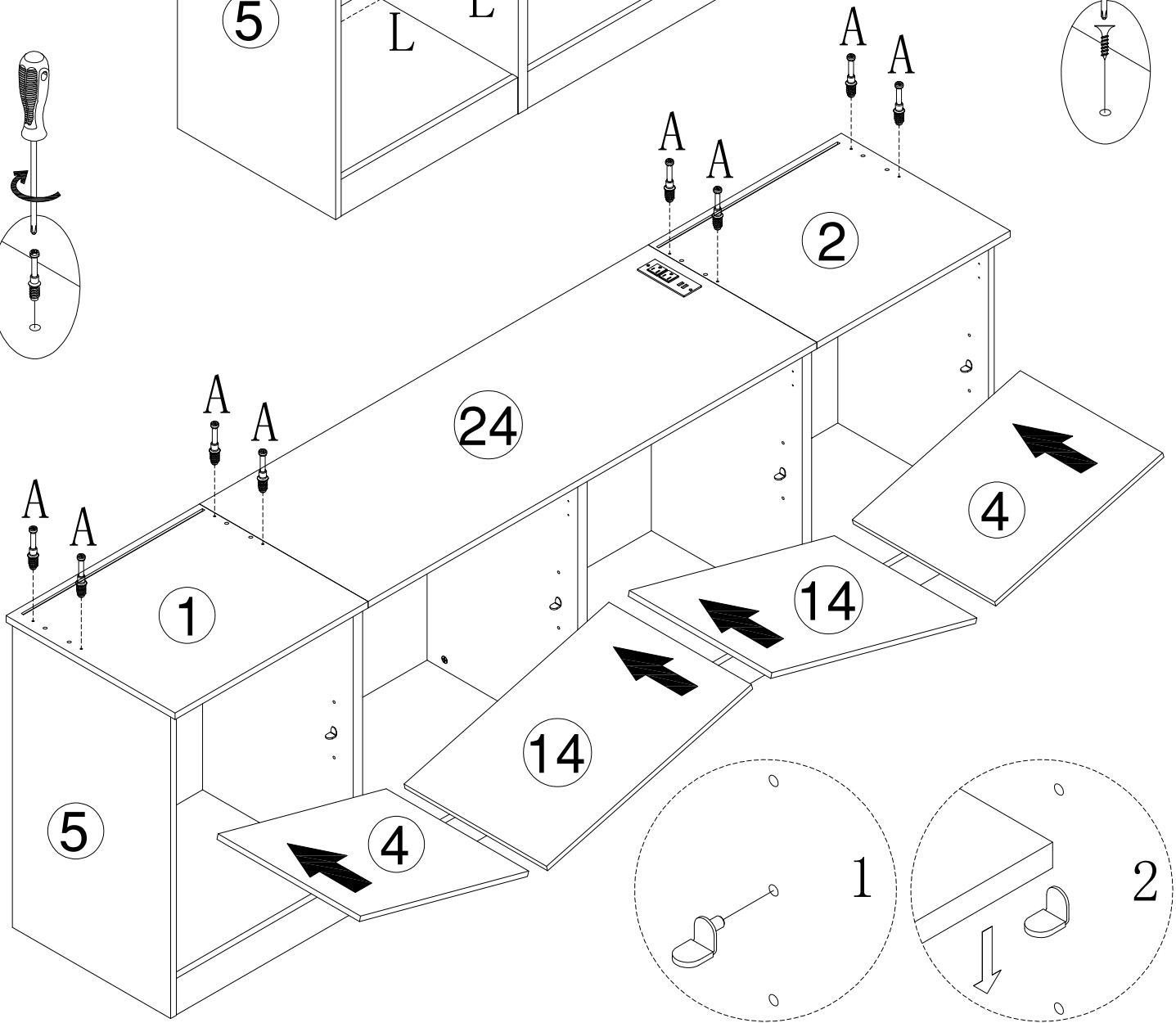
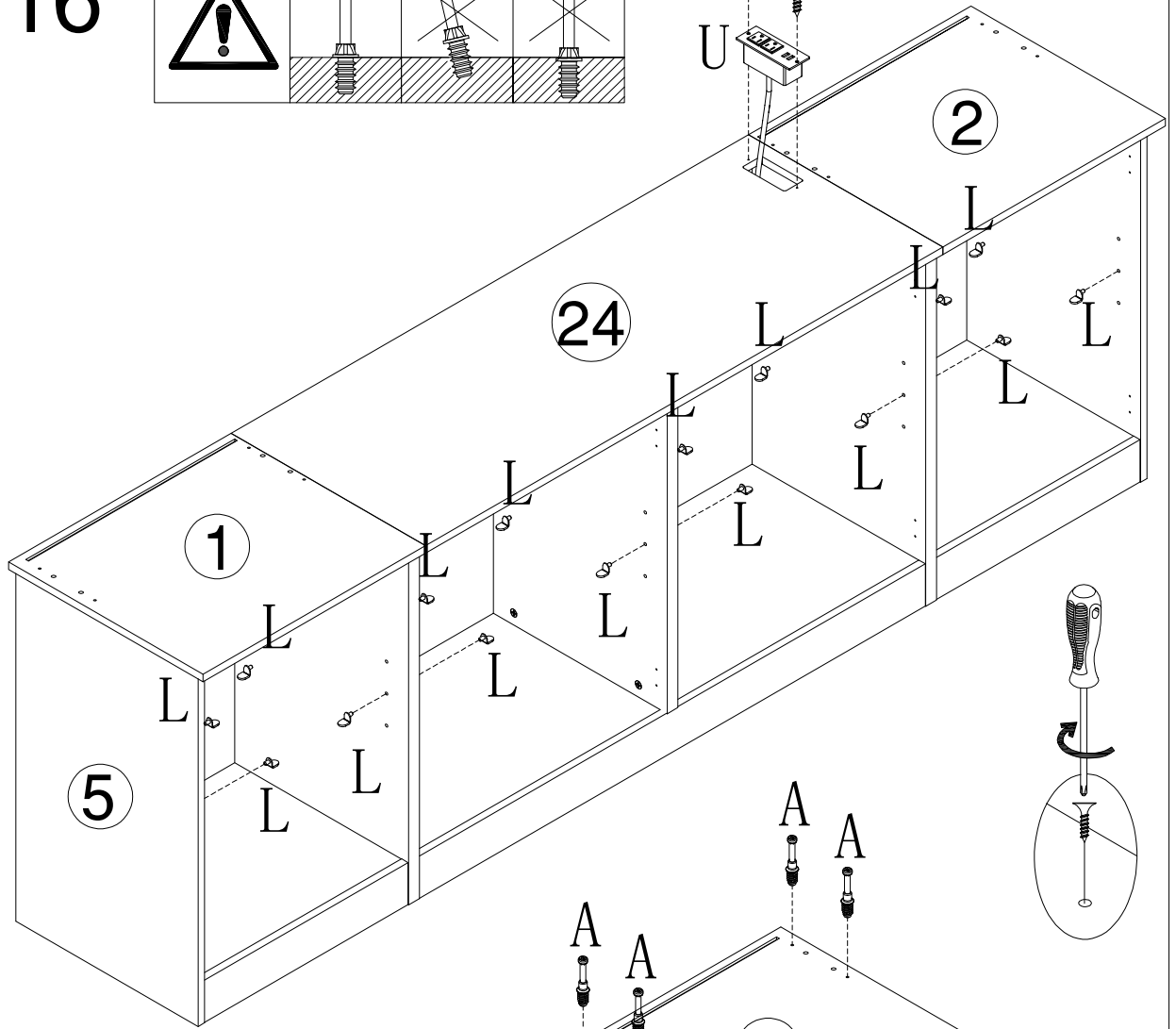
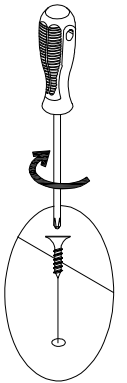
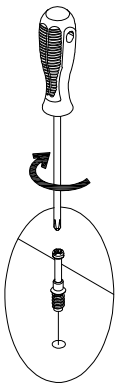
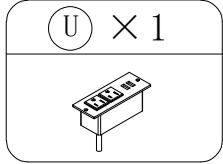
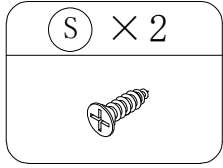
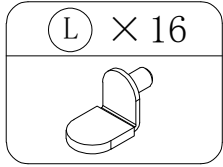
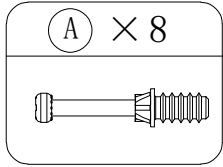
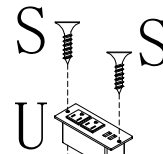
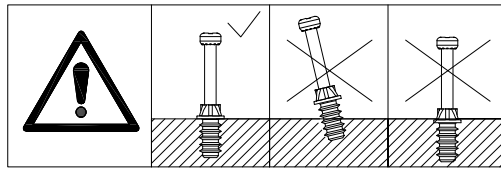
(B) × 6



(C) × 8

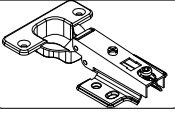


# Step 16

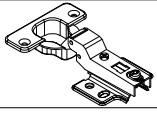


# Step 17

(M) × 4



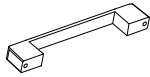
(N) × 8



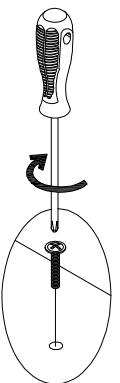
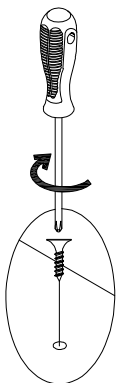
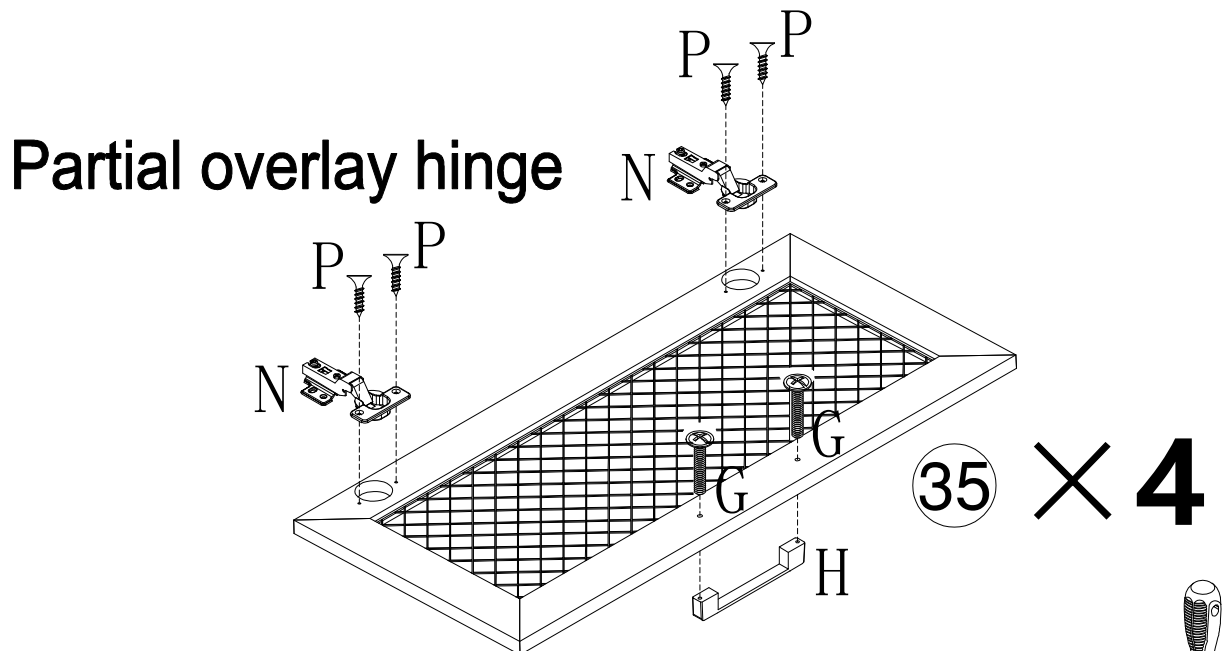
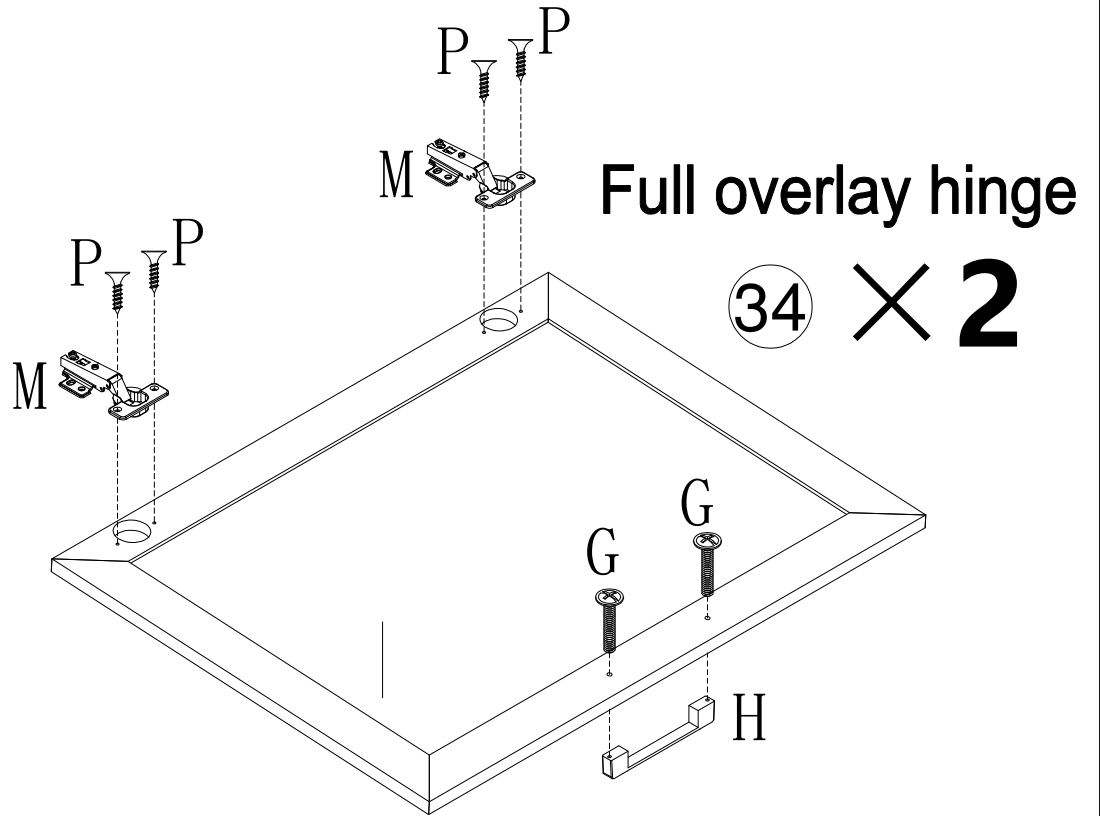
(P) × 24



(H) × 6

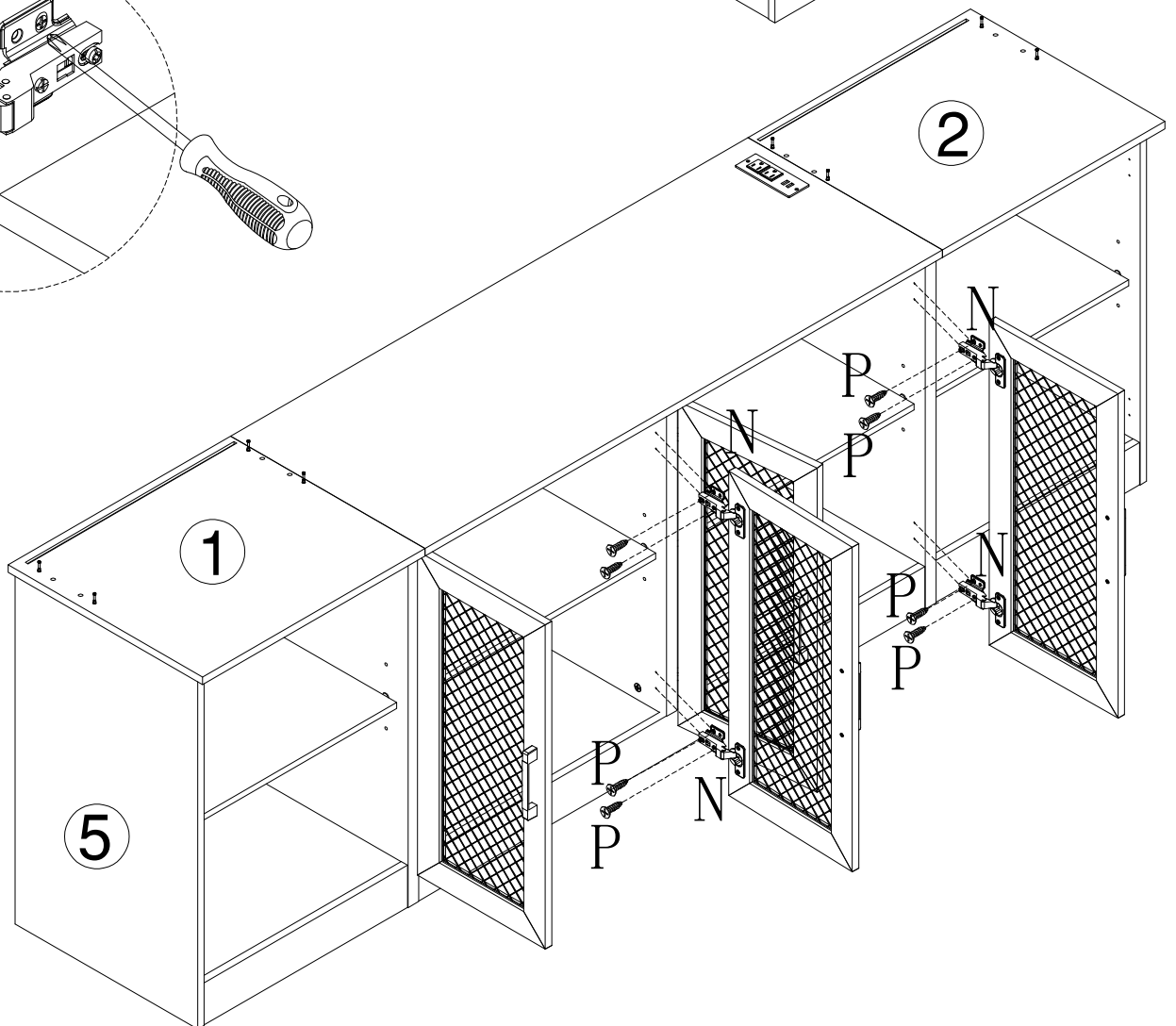
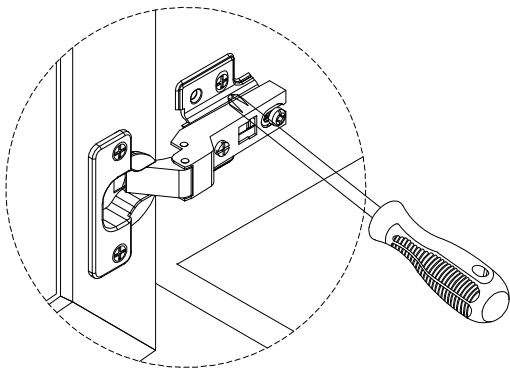
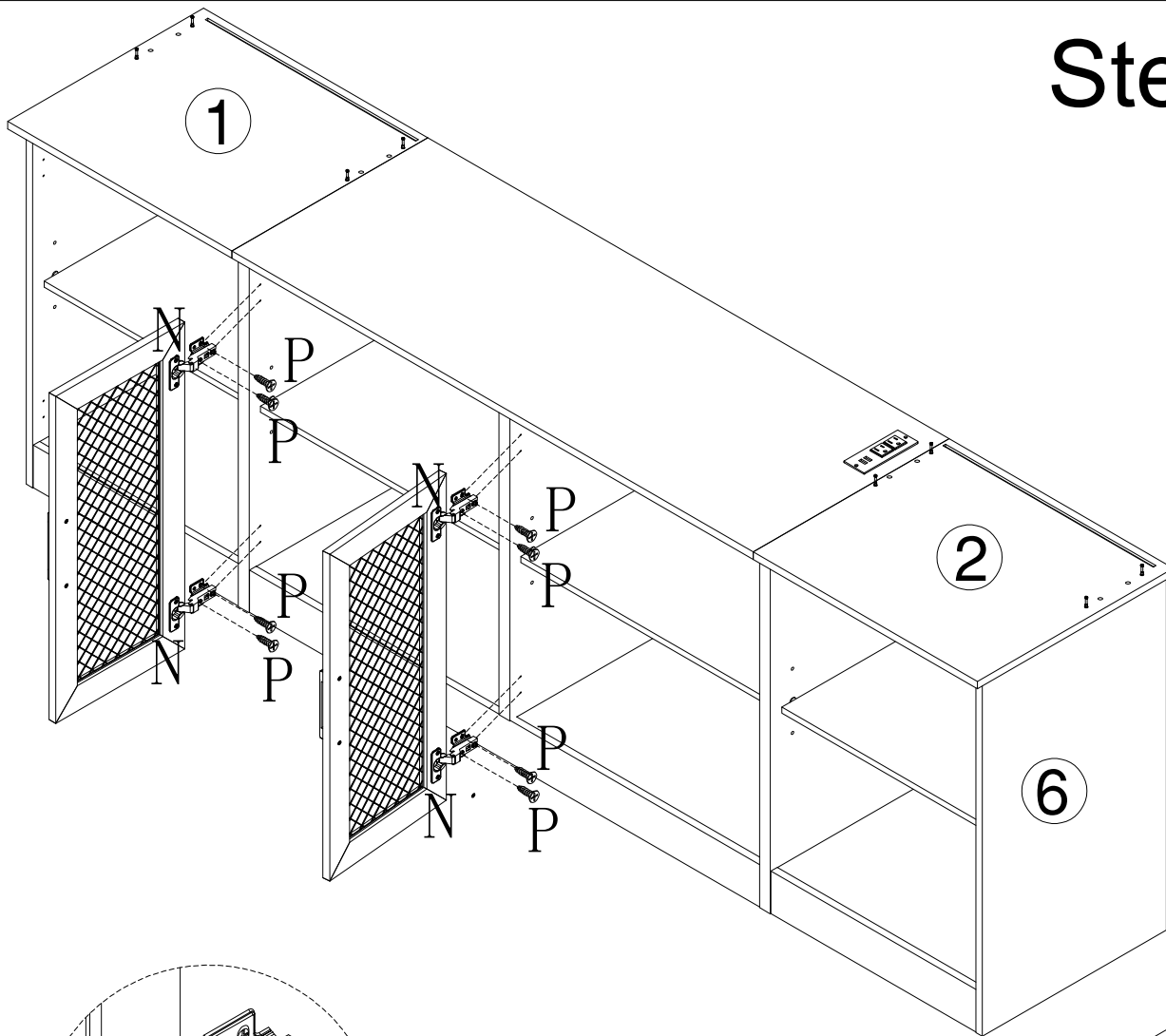


(G) × 12

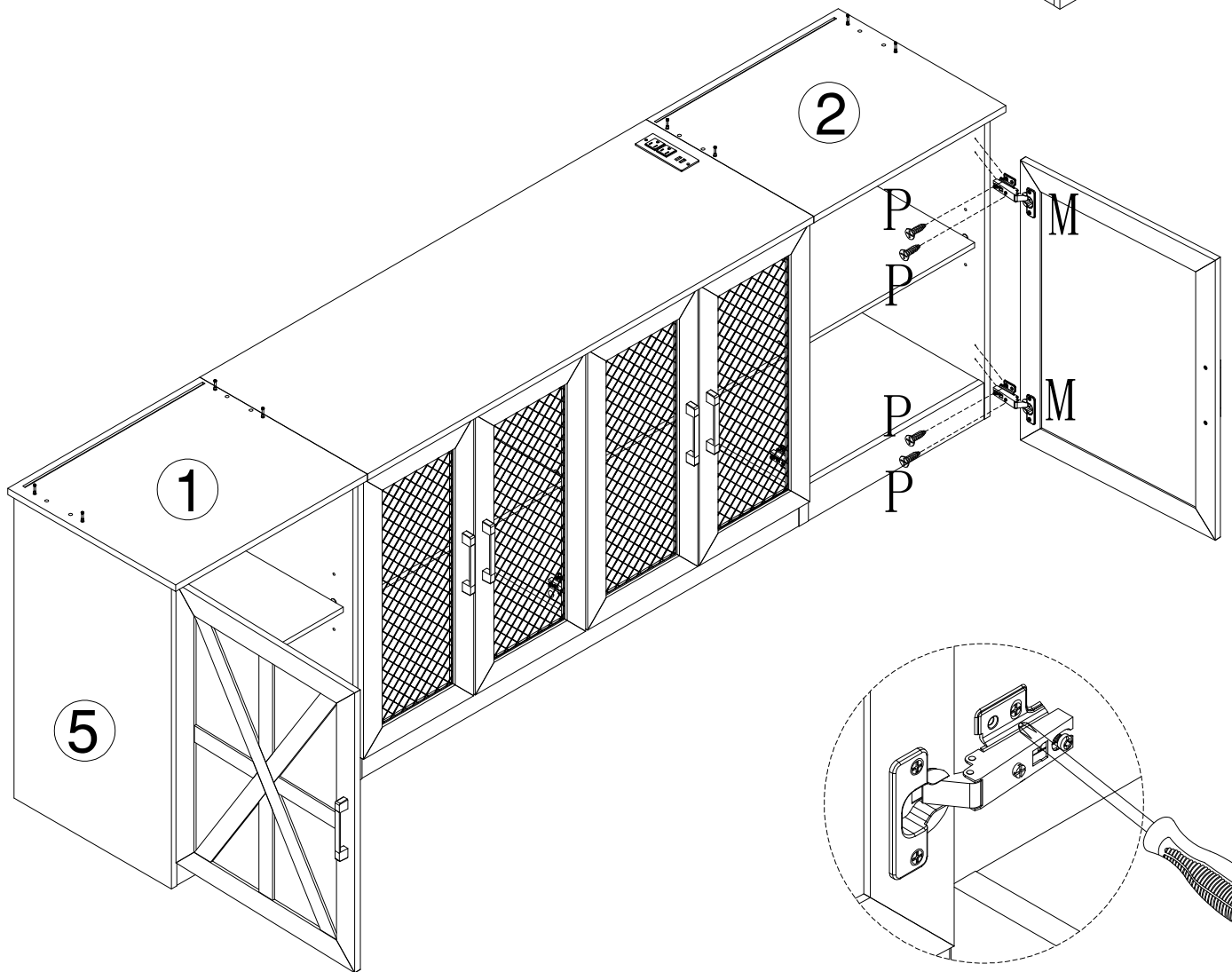
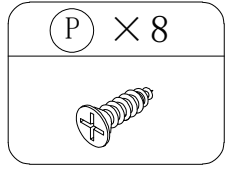
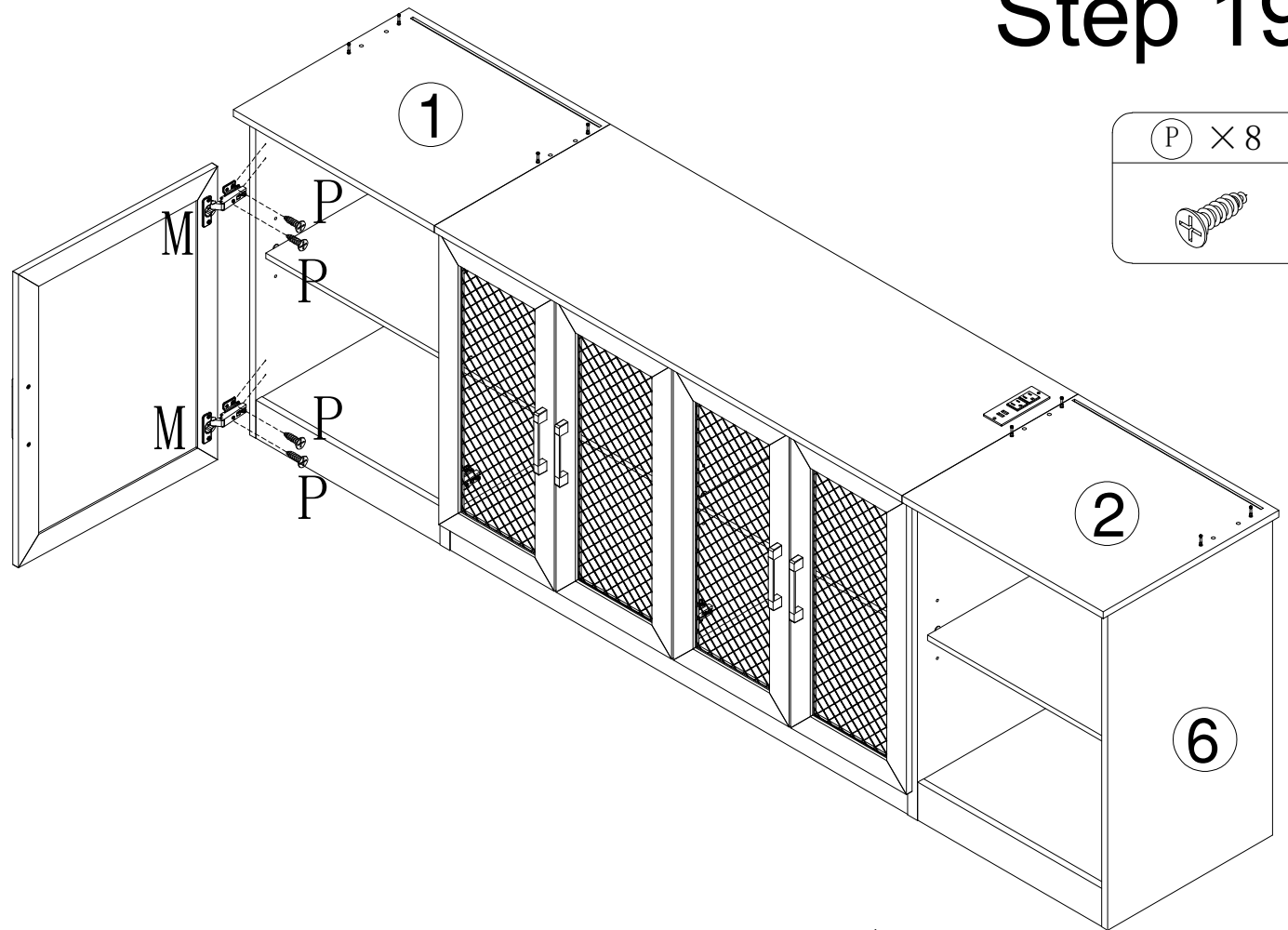


# Step 18

(P) × 16



# Step 19

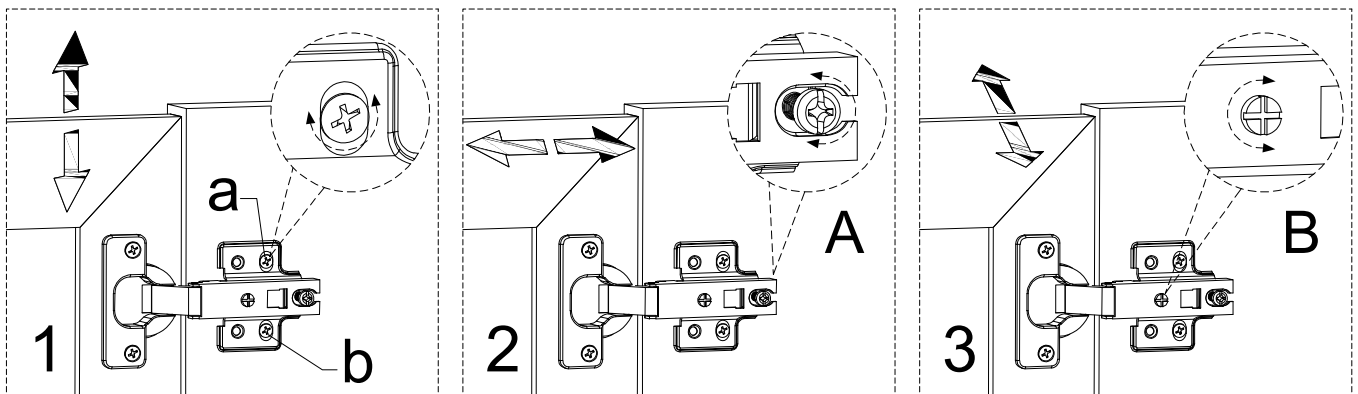


# Step 20

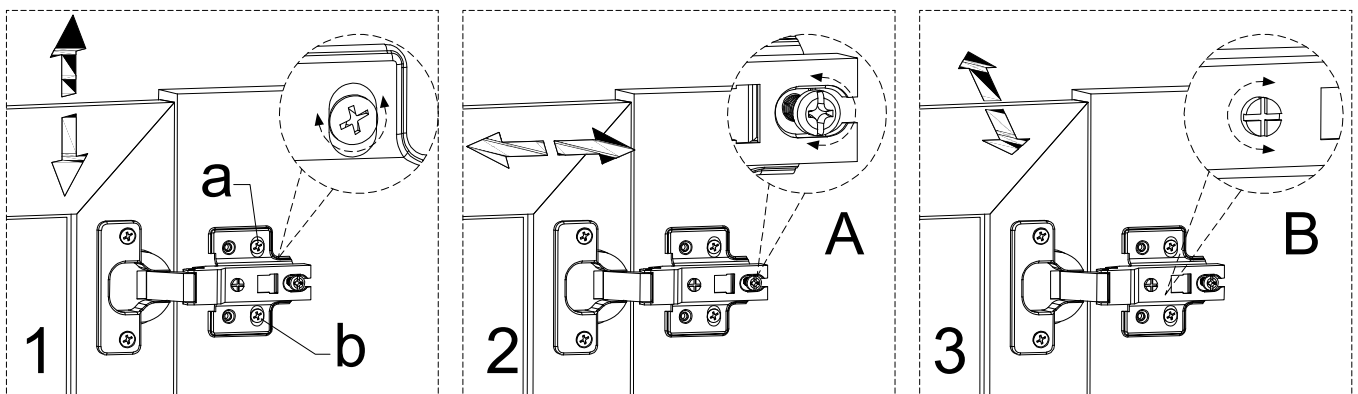
## TIPS TO ADJUST THE HINGES TO MAKE DOORS EVEN

1. Loosen Screw a-b, then lift or lower the hinge to adjust the height of the door.
2. Loosen Screw A, then push in or pull out the hinge to adjust the depth of the door.
3. Tighten or loosen Screw B to adjust the gap between two doors.

### Full overlay hinge

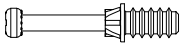


### Partial overlay hinge

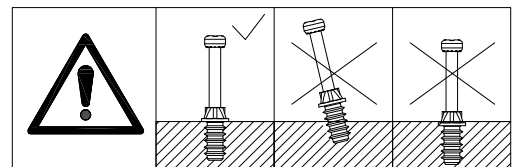
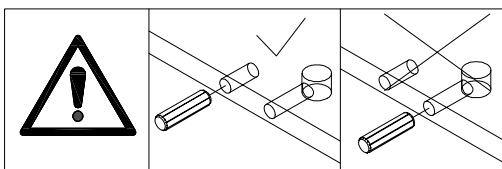
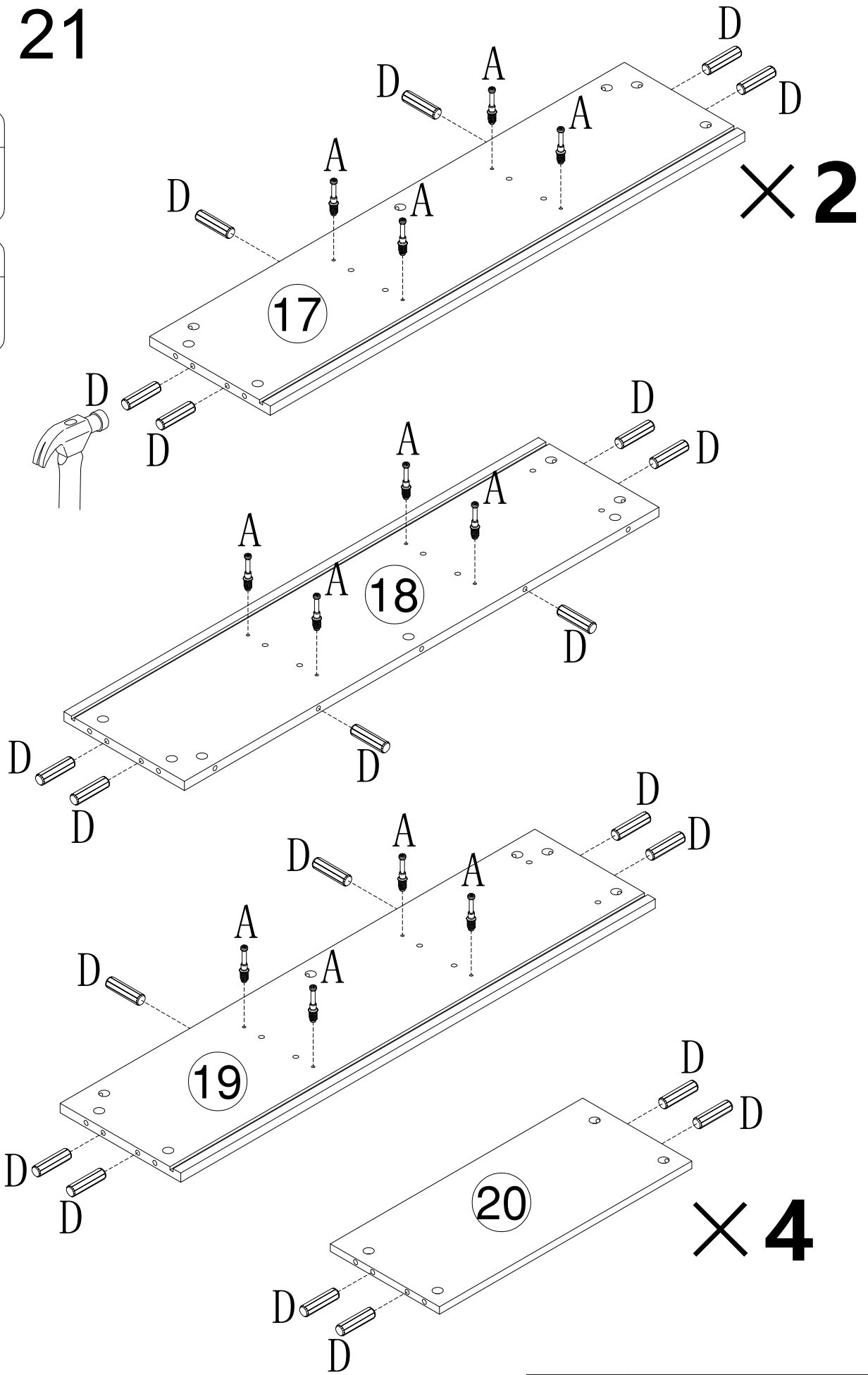
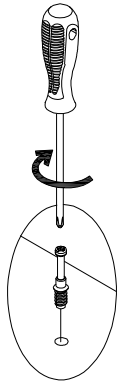
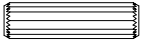


# Step 21

(A) × 16

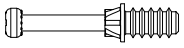


(D) × 40

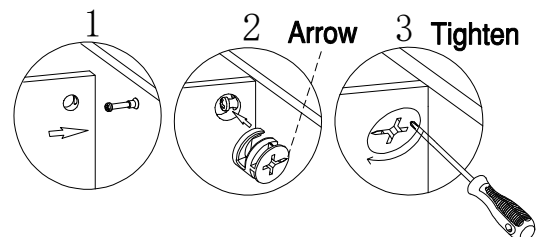
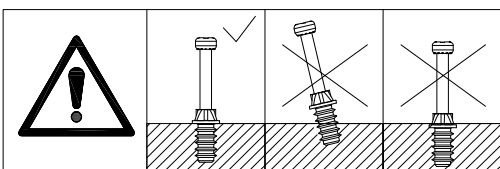
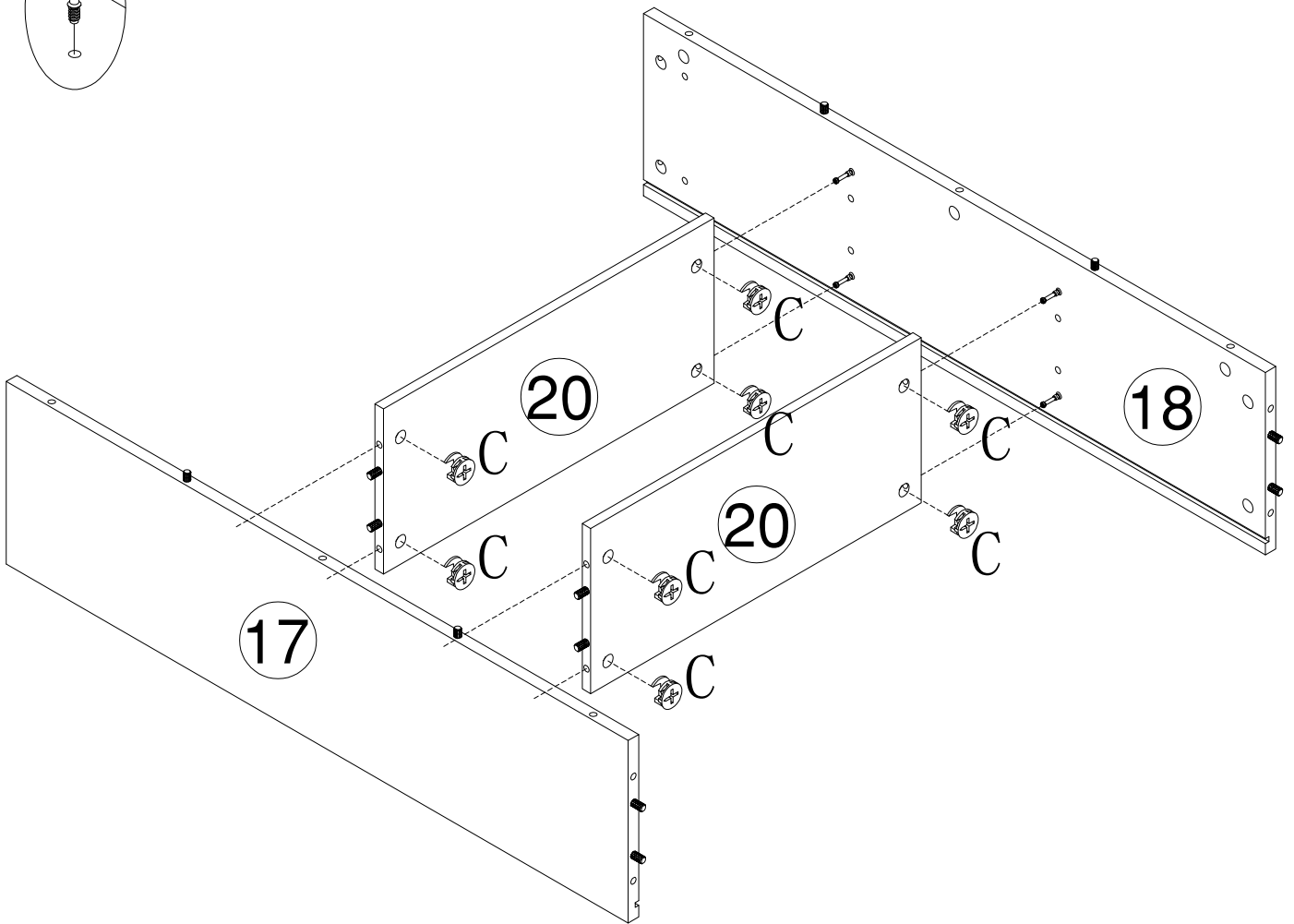
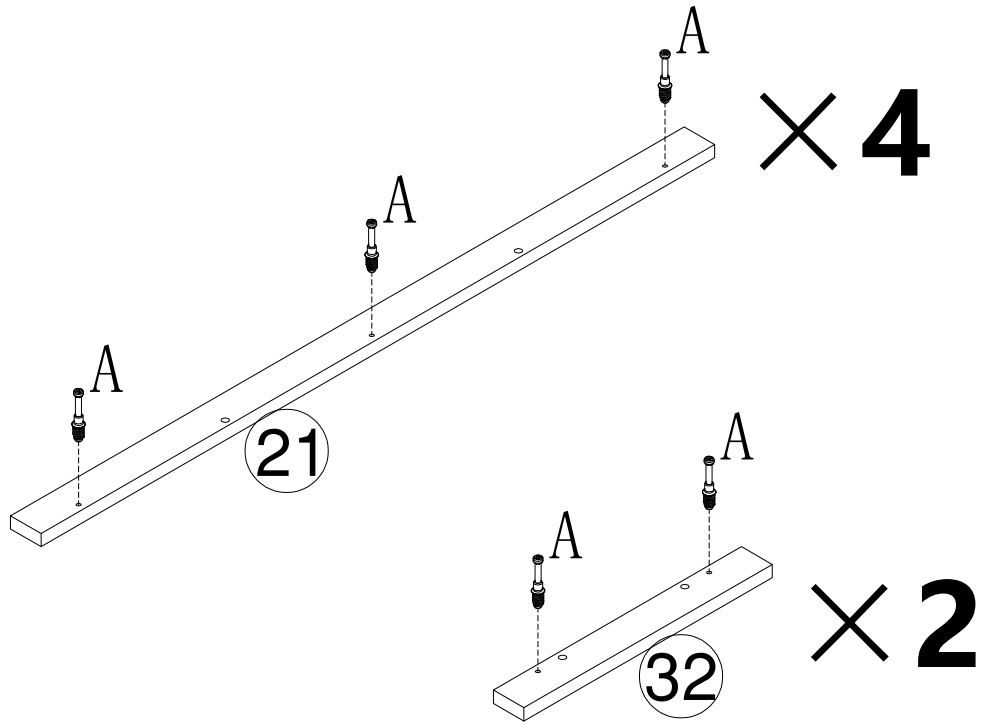
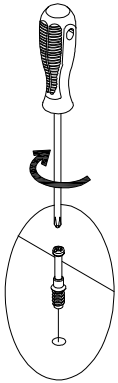


# Step 22

(A) × 16



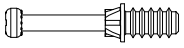
(C) × 8



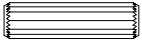


# Step 24

(A) × 8



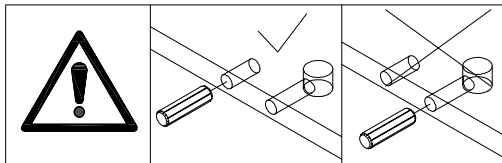
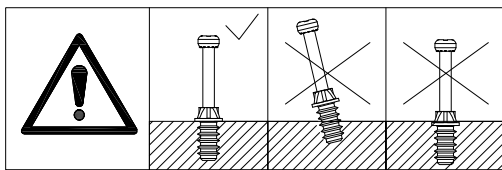
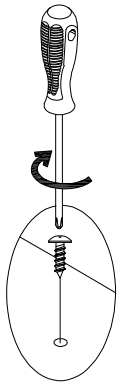
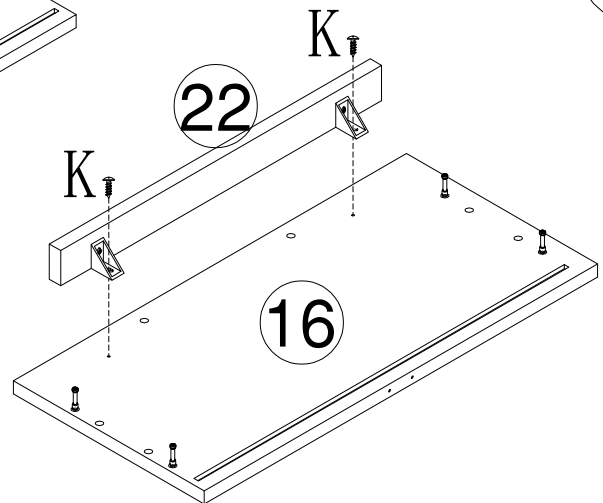
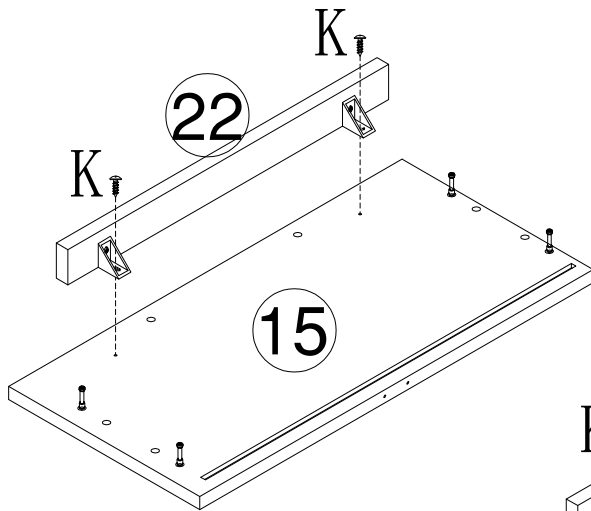
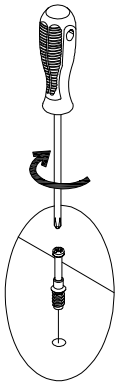
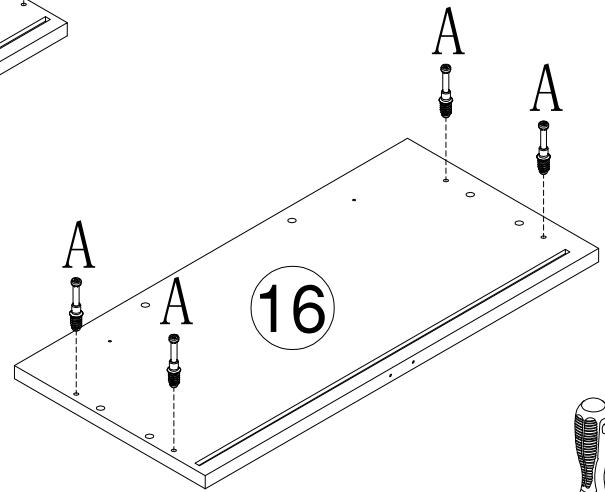
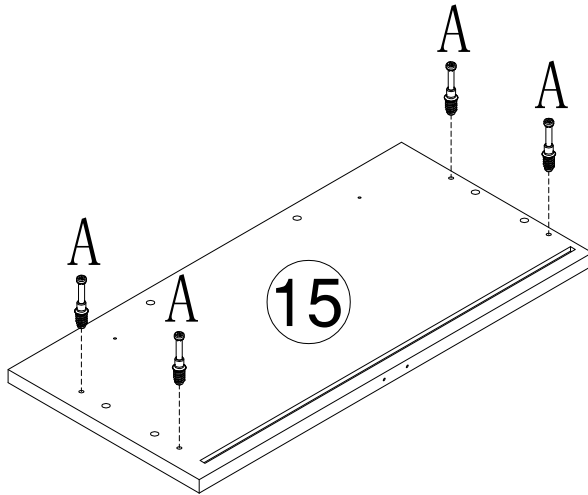
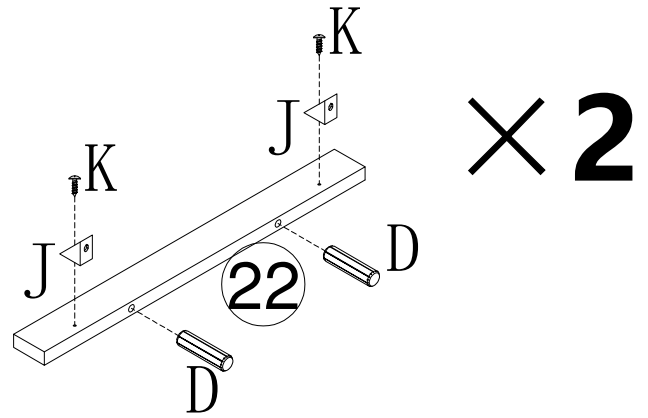
(D) × 4



(K) × 8

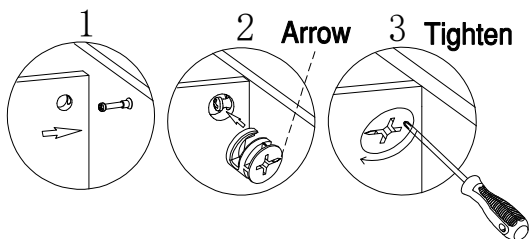
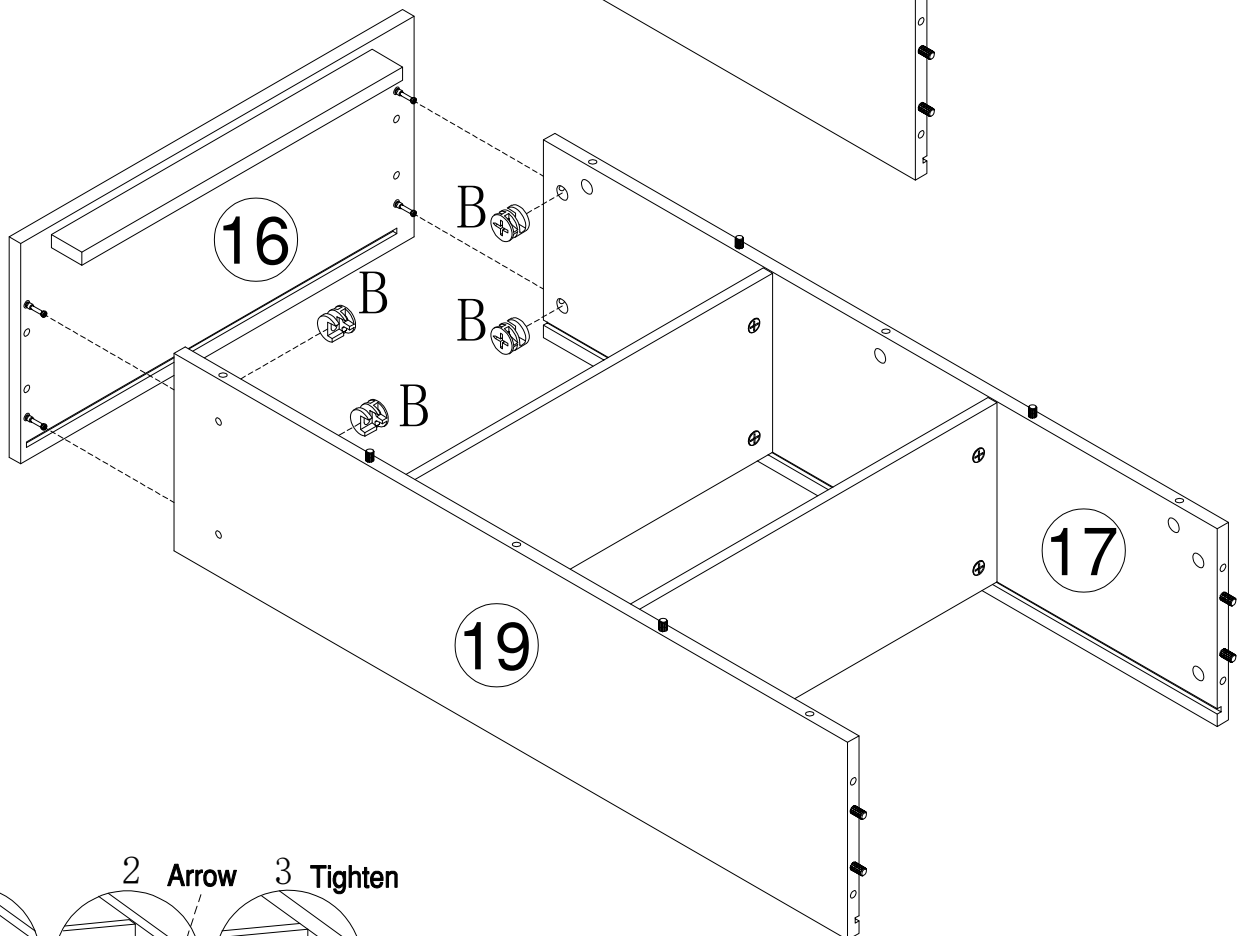
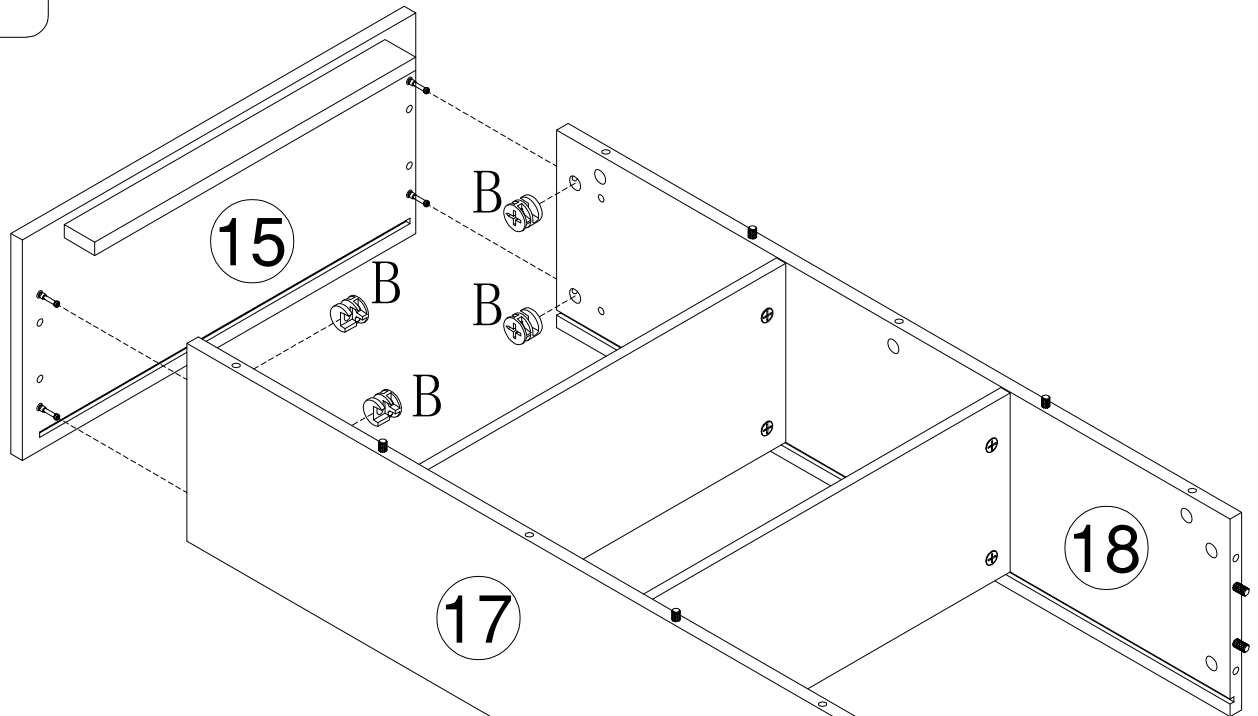


(J) × 4

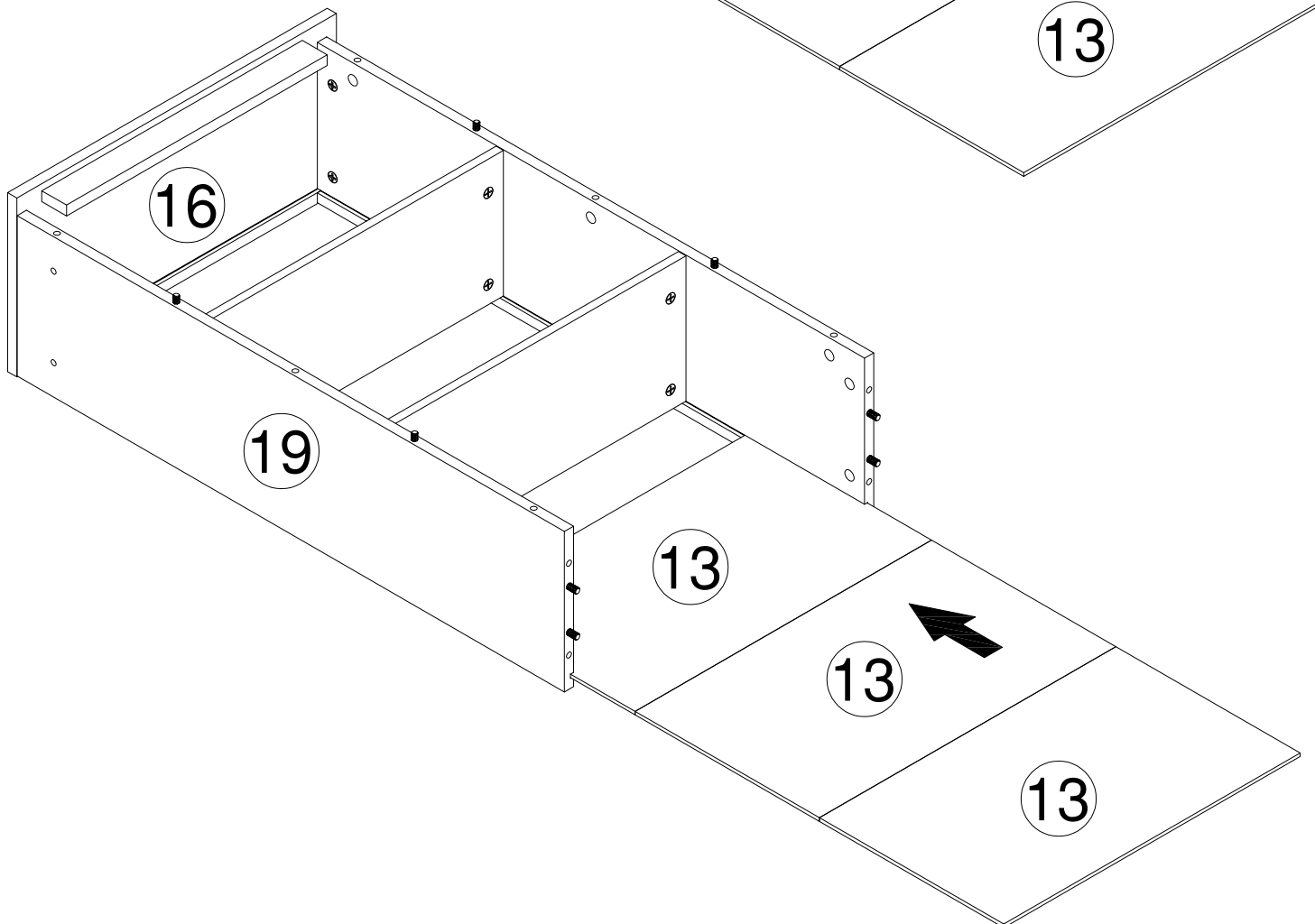
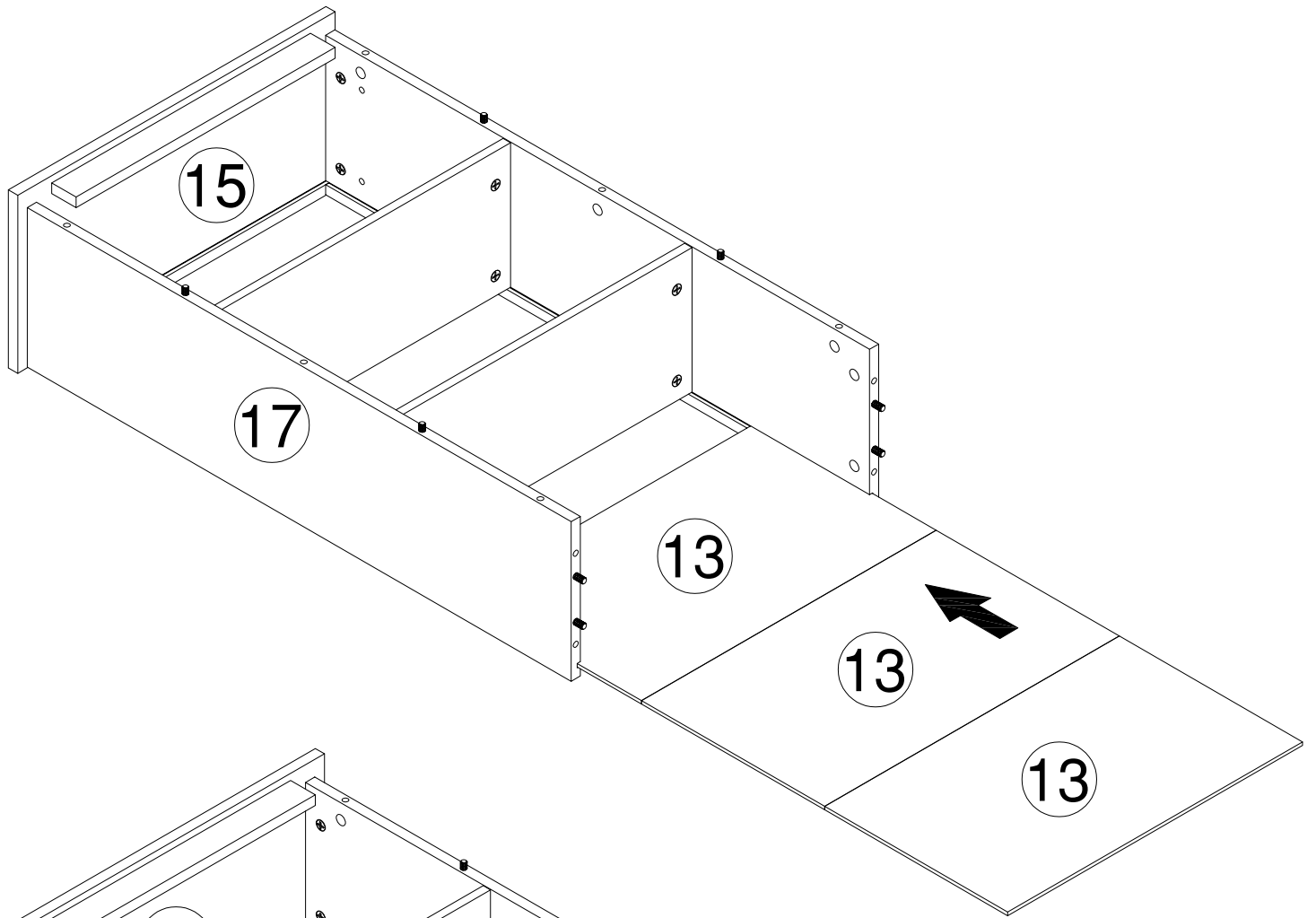


# Step 25

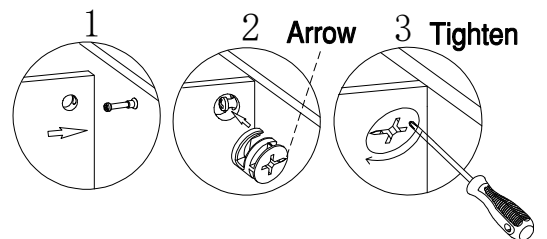
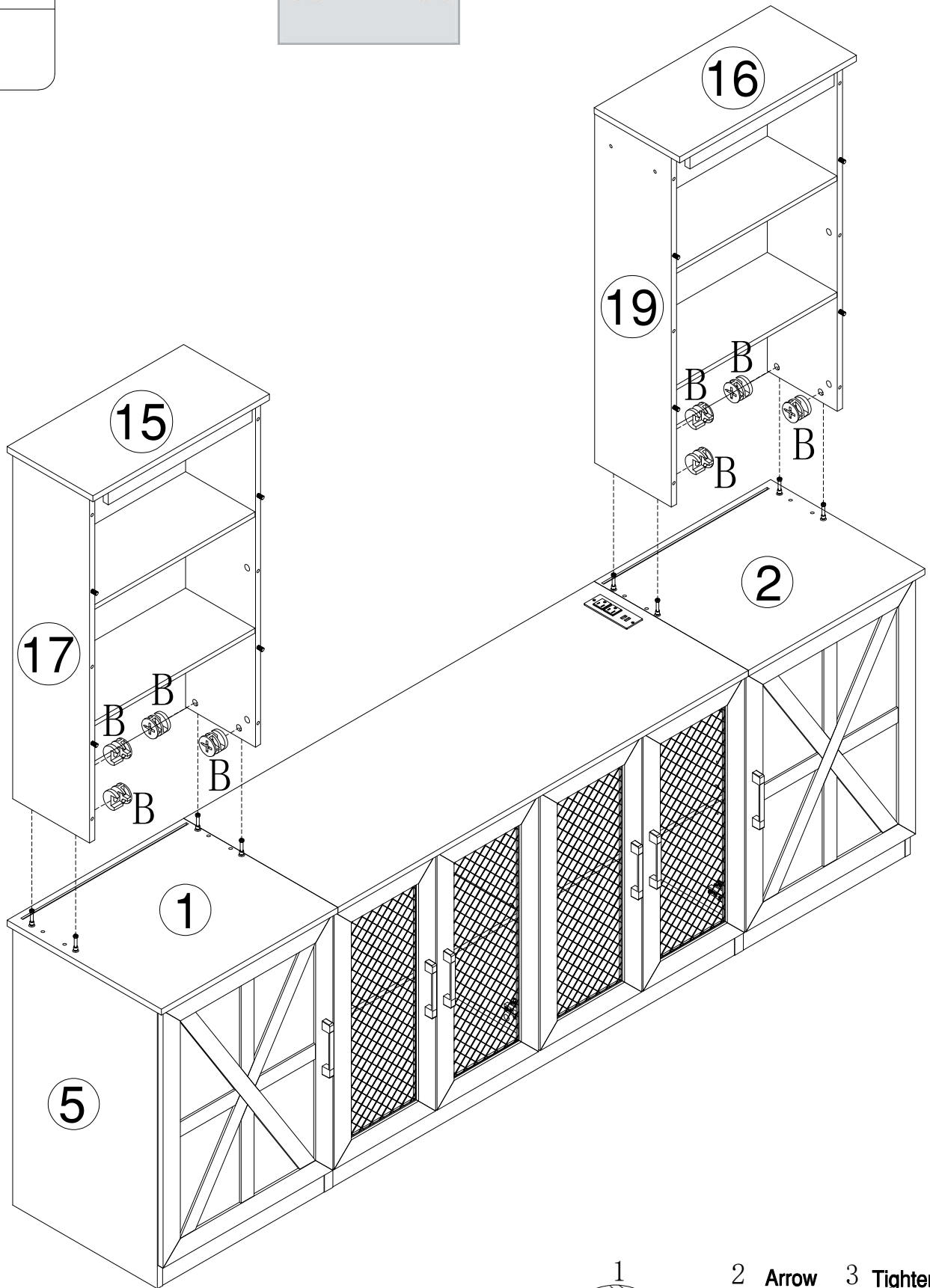
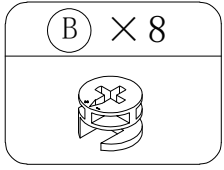
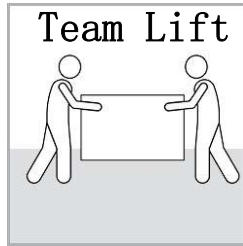
(B) × 8



# Step 26

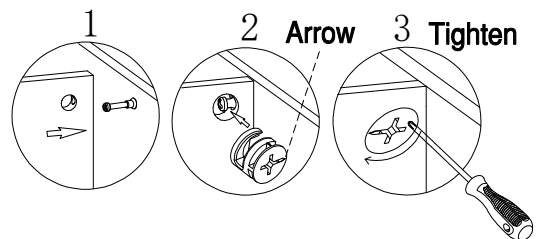
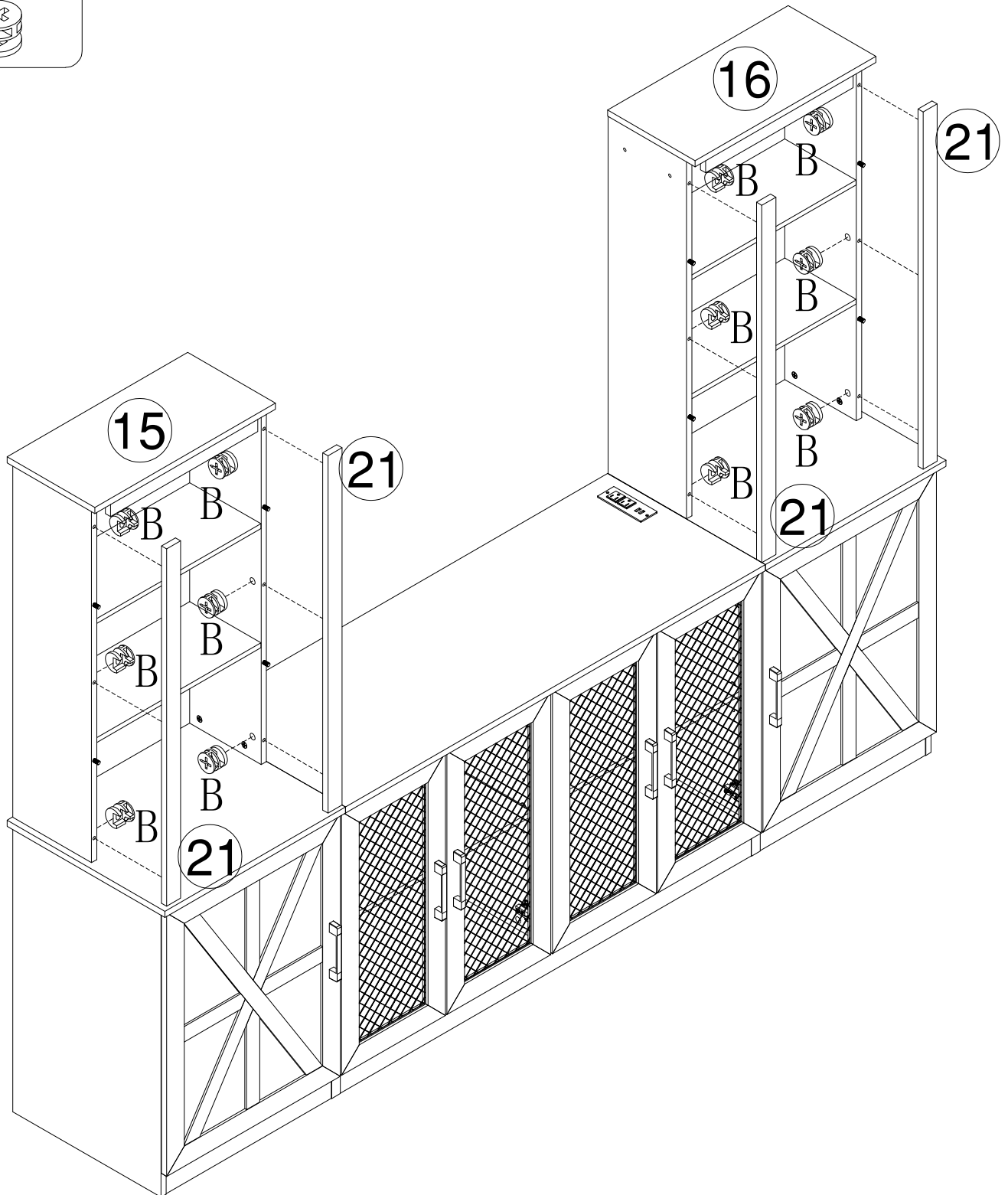


# Step 27



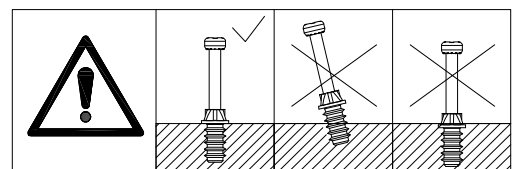
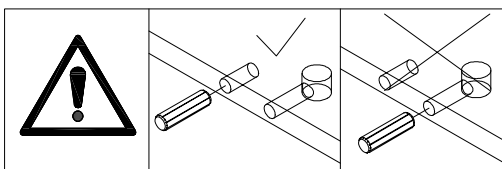
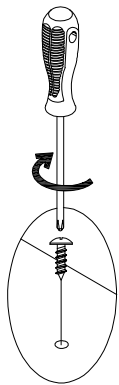
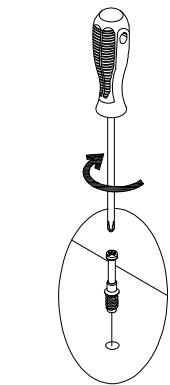
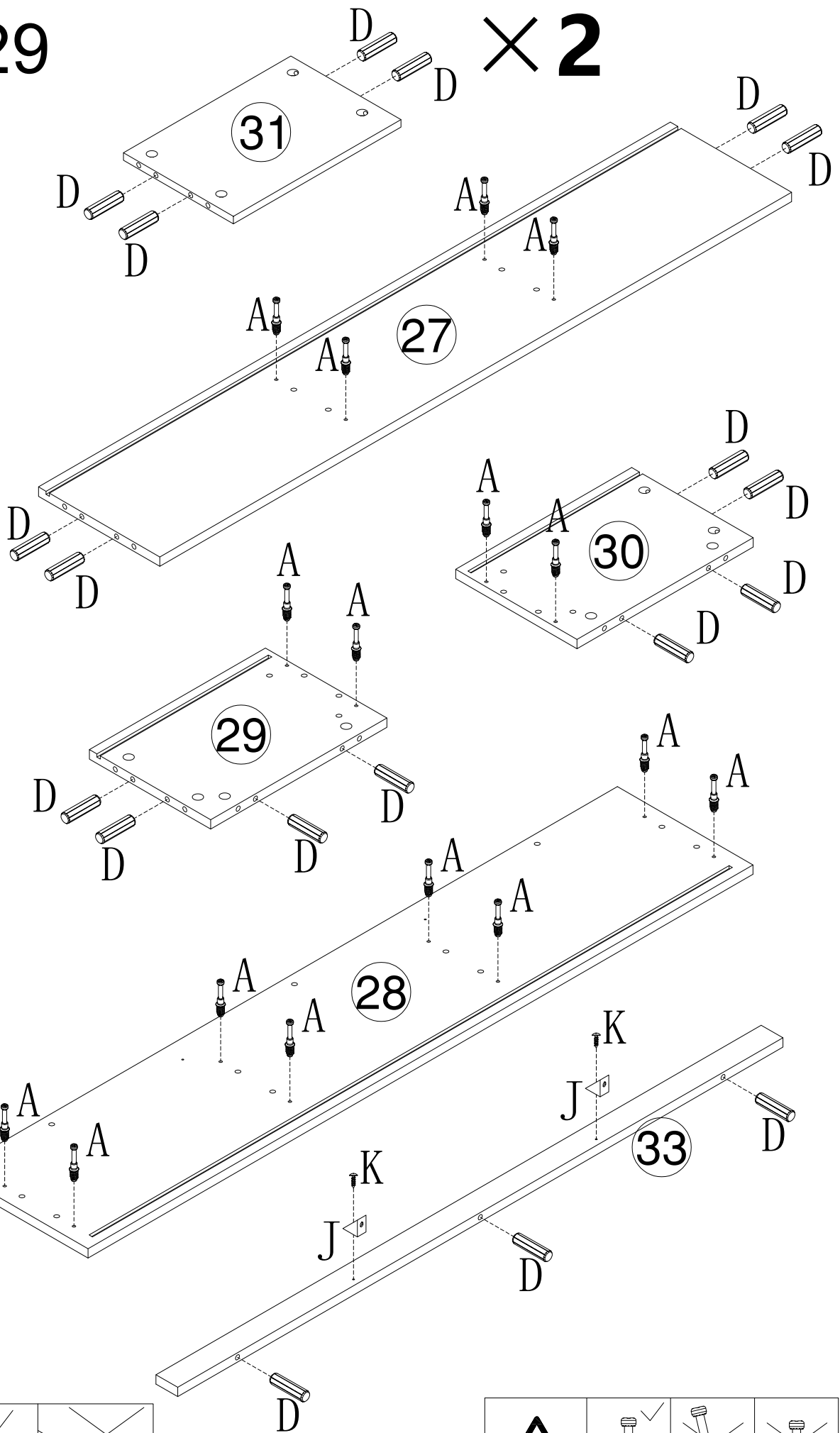
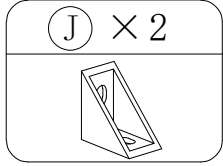
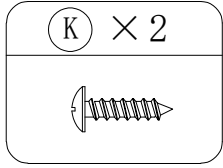
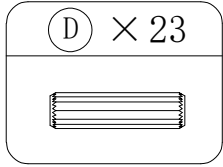
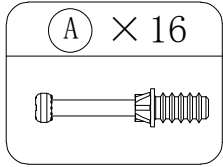
# Step 28

(B) × 12



# Step 29

× 2

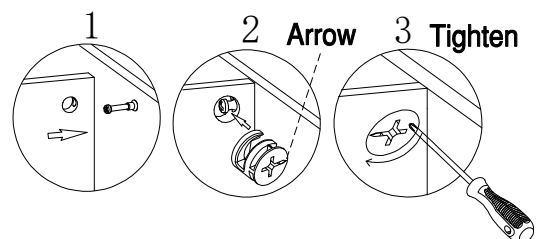
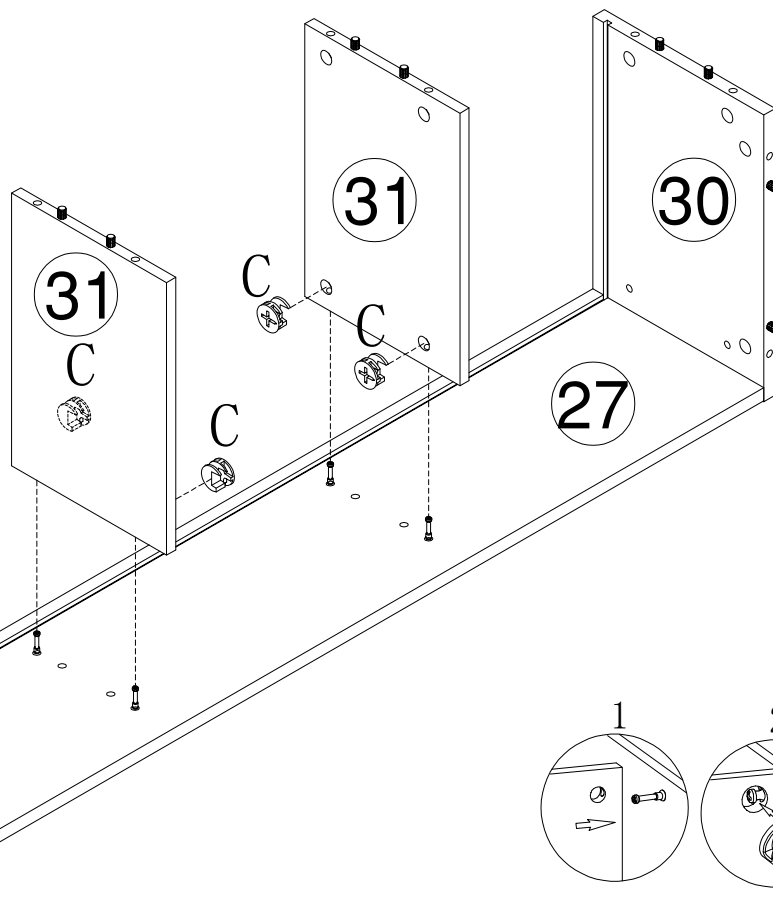
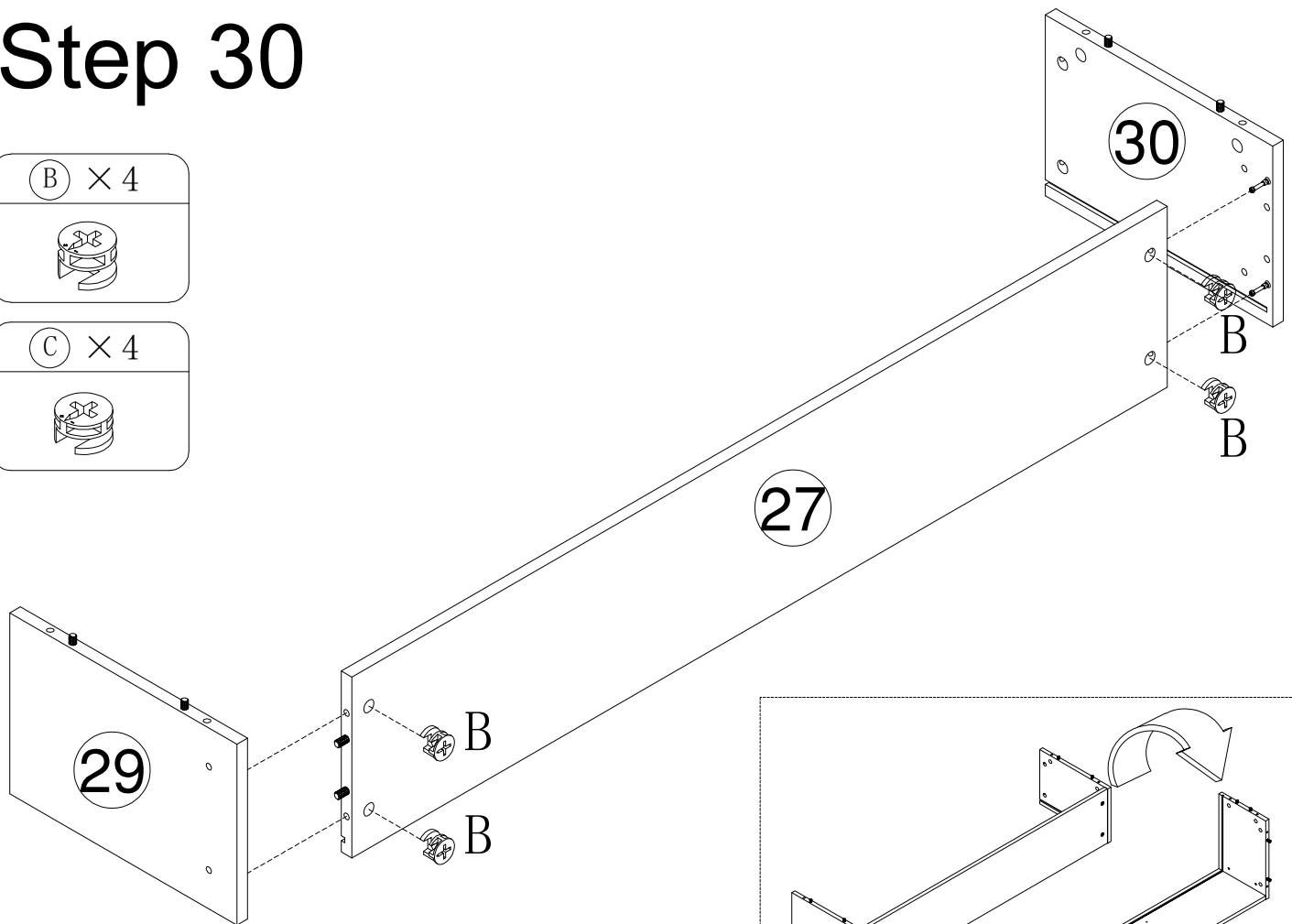


# Step 30

(B) × 4

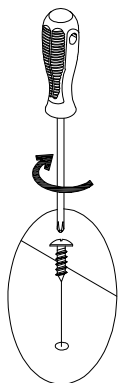
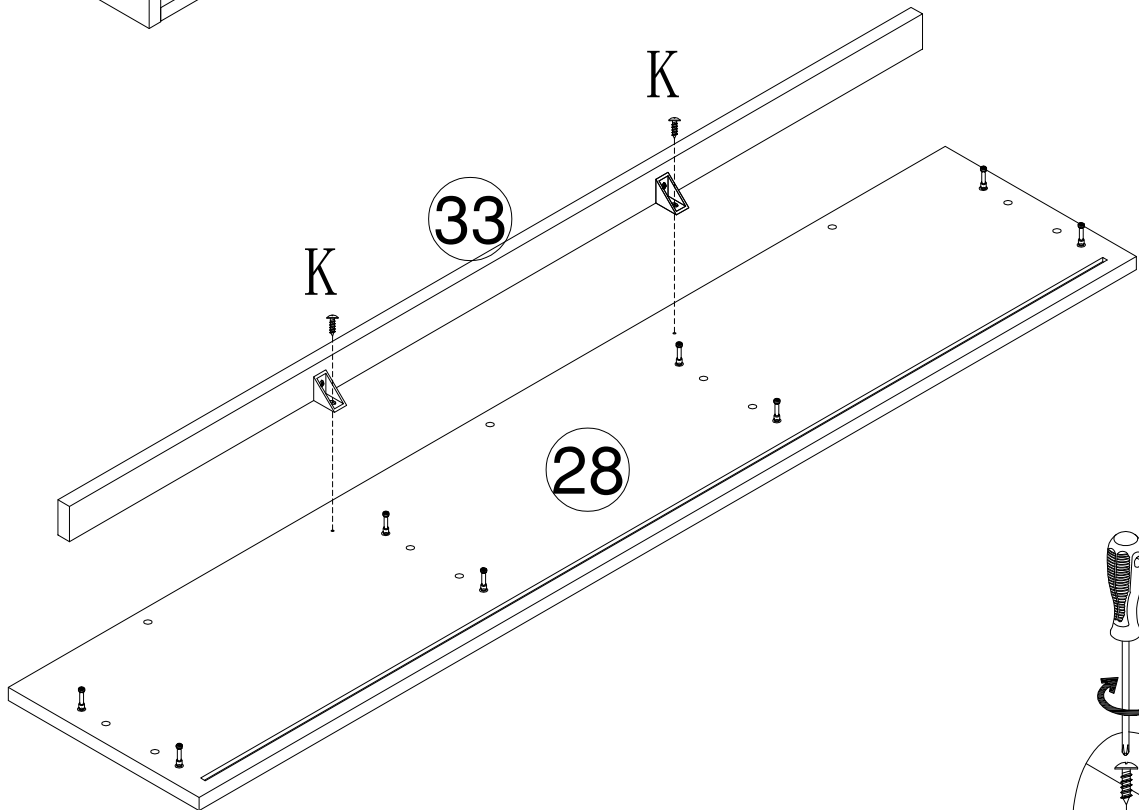
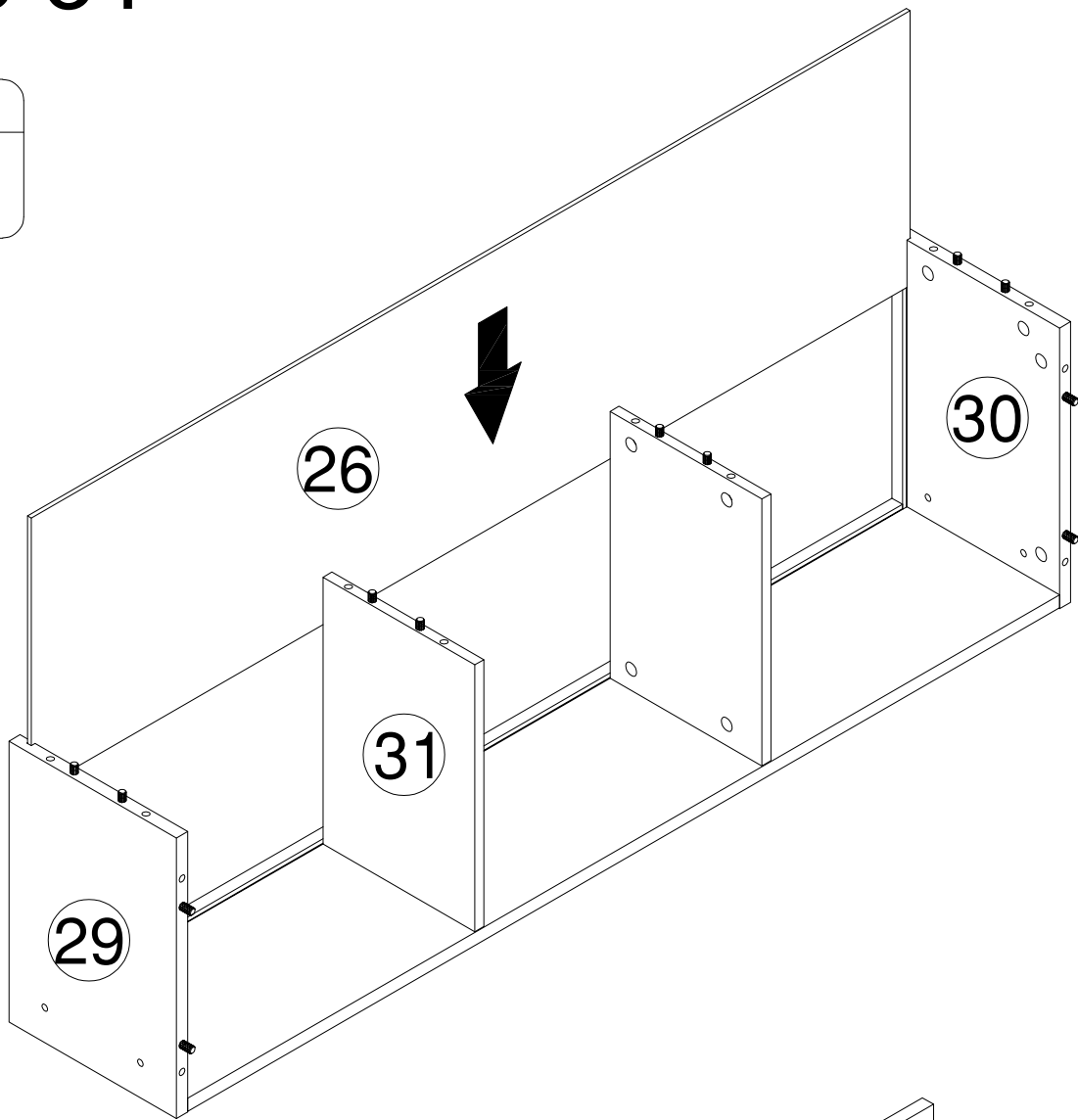


(C) × 4



# Step 31

(K) × 2

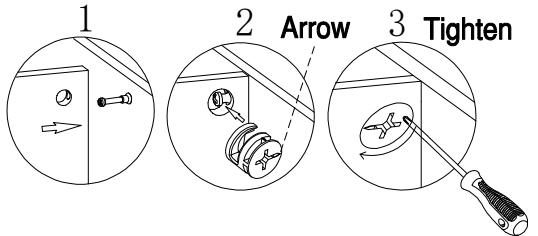
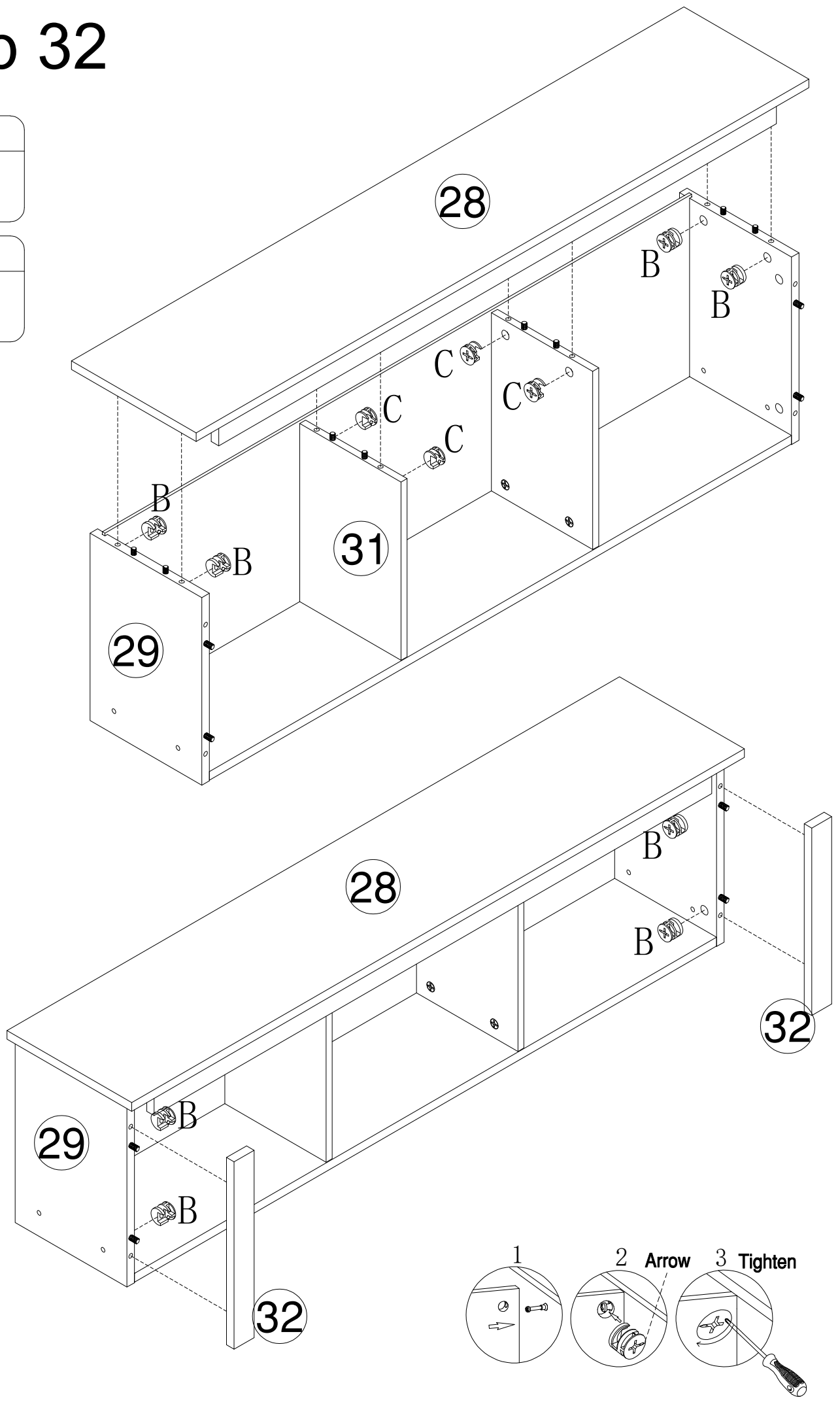


# Step 32

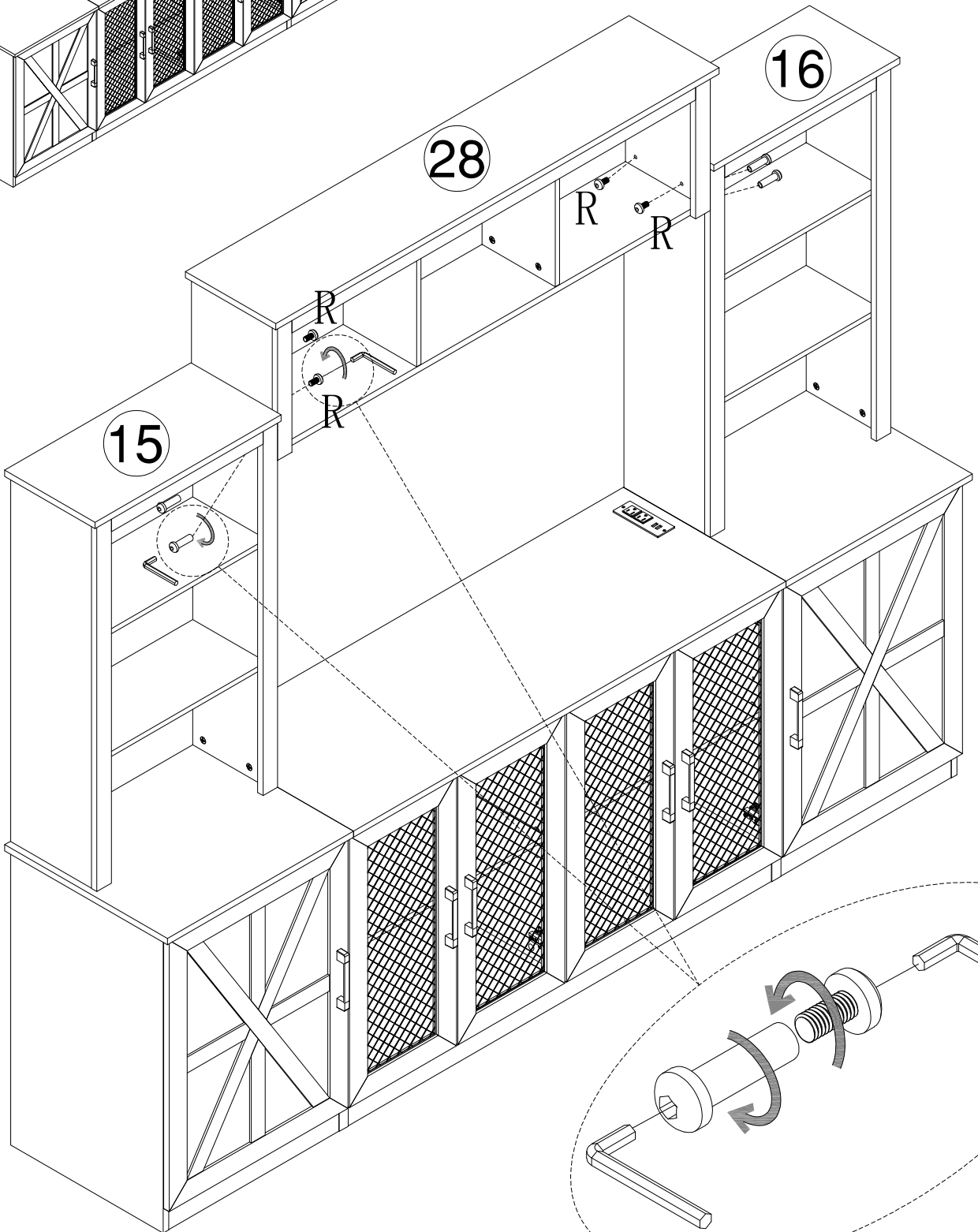
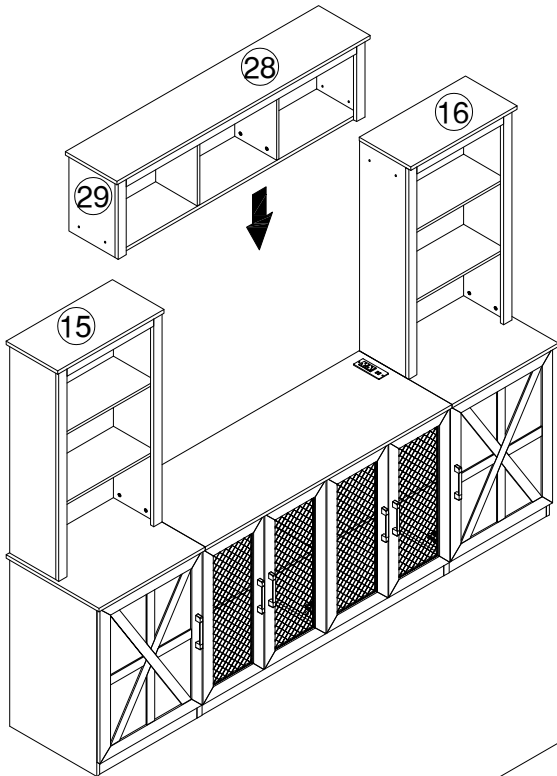
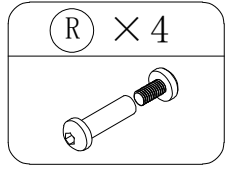
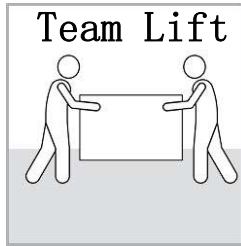
(B) × 8



(C) × 4



# Step 33

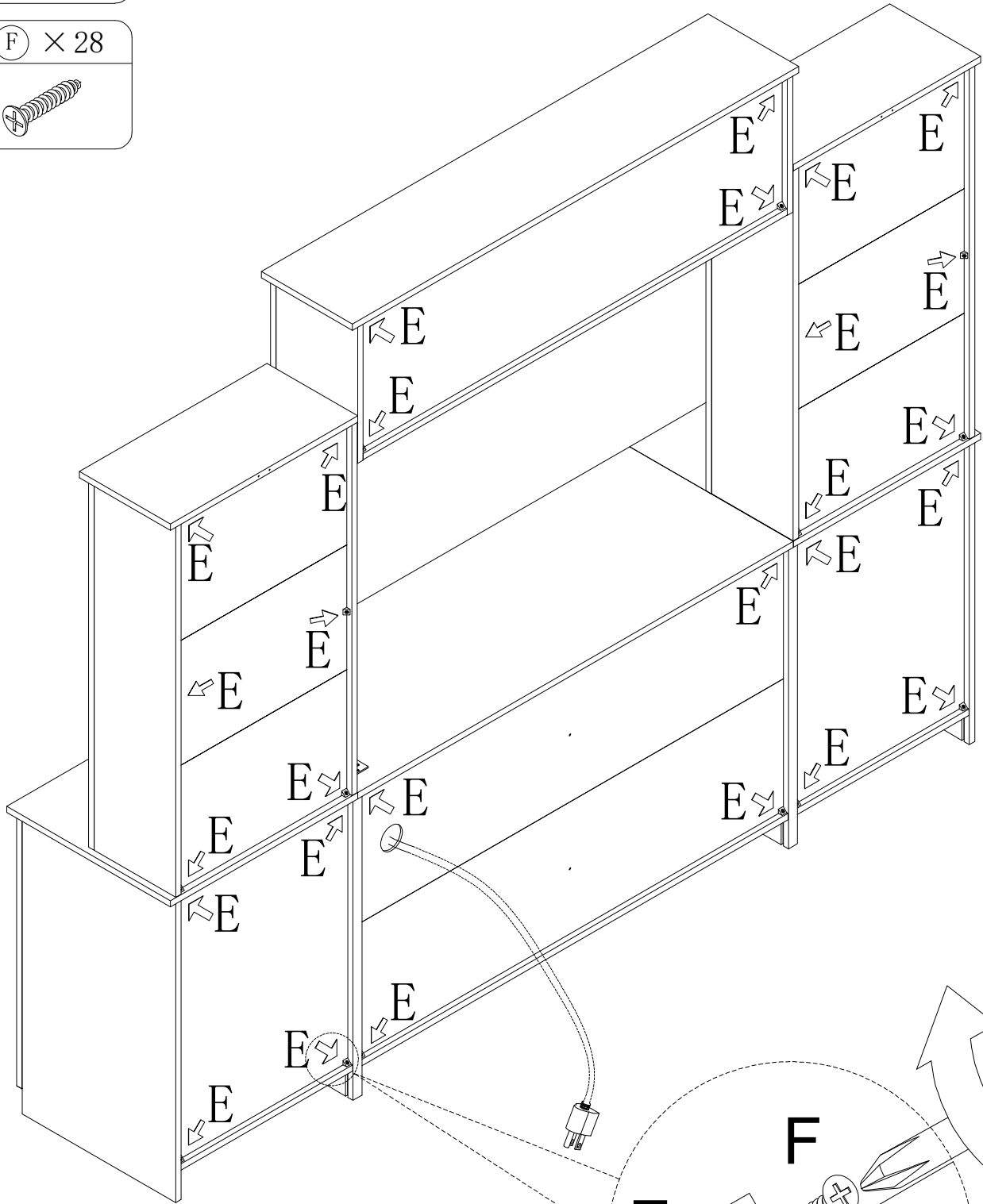
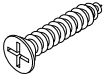


# Step 34

(E) × 28

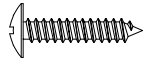


(F) × 28



# Step 35

Q × 2



V × 2

