

Ca'Lefort

Wine Cooler Refrigerator

Clf-WD24

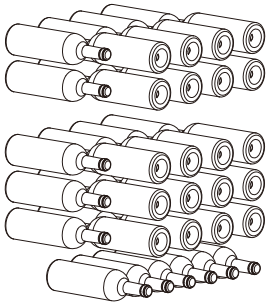
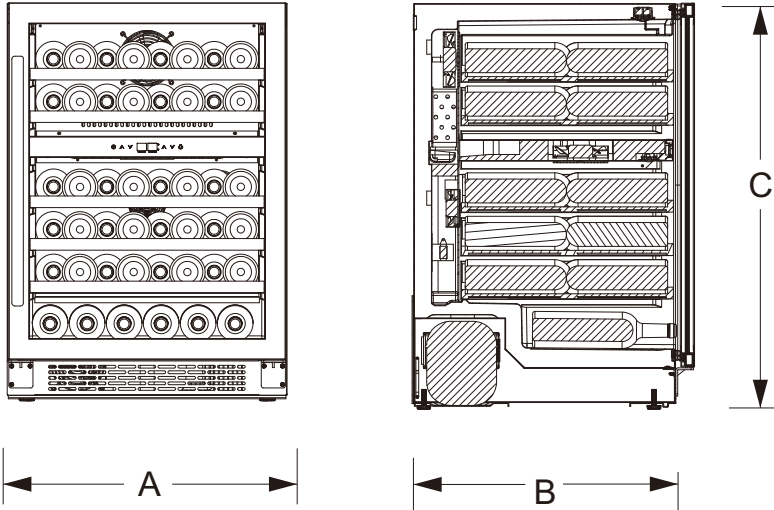
Make it freely, enjoy life.

Ca'Lefort Wine Center

Ca'Lefort

Cif-WD24

Product Technical Illustration



Total: 8x6=46bottles

Overall Width (in.) A	23.4"
Overall Depth (in.) B	23.8" (25.5" with handle installed)
Overall Height (in.) C	33.8"

Signature Features

54 Wine Bottle Storage Capacity

Enjoy this wine center with plenty of space to store all your favorite red and white Wines with 6 movable carbonized wooden shelves.

Upgraded Cooling System Wine Fridge

The wine cooler maintains temperatures between 40°F and 65°F, keeping both red and white wines at the perfect serving temperature, and you can customize that you need. decorates your kitchen, living room, office or bar area.

Freestanding and Built in installation

Design with seamless stainless steel frame and double tempered glass door, and three-colors interior led lighting. The stylish look decorates your kitchen, living room, office or bar area.

Double Tempered Glass Door Wine Fridge

Double-layer tempered grey glass door improves temperature stability, reduces condensation, and keeps your wines perfect also your electricity bill low.

Unit Specifications

Width	23.4"
Depth	23.8"
Height	33.8"

More Easy-To-Use Features

- 46 Wine Bottles Storage Capacity
- Advanced Cooling System Wine Fridge
- Wine Cooler With Inside Digital Temperature Control Panel
- Tempered Grey-color Glass Door Wine Fridge
- Capacitive Touch Electronic Controls
- Three Interior LED Lighting (White & Blue & Amber)
- Reversible Hidden Hinges Wine Fridge

Power Requirements

- Voltage: 115V/60Hz
- Rated Current: 0.9A

General Appliance Information

- Please read all installation details and instructions before use.

A Warm Tips

- Please keep the item upright and stand for 24-36 hours before plugging it into the power supply.

TABLE OF CONTENTS

IMPORTANT SAFETY RULES	01
IMPORTANT SAFETY INSTRUCTIONS	03
PARTS & FEATURES	04
INSTALLATION INSTRUCTIONS	05
OPERATING YOUR WINE CELLAR	09
TROUBLESHOOTING GUIDE	12
LIMITED WARRANTY	13
RECORD KEEPING	14

IMPORTANT SAFETY RULES

Before the appliance is used, it must be properly positioned and installed as described in this manual, so read the manual carefully. To reduce the risk of fire, electrical shock or injury when using the appliance, please follow basic precaution, including the following:

DANGER

- Plug into a grounded 3-prong outlet, do not remove grounding prong, do not use an adapter, and do not use an extension cord.
- Replace all panels before operating.
- It is recommended that a separate circuit, serving only your appliance be provided. Use receptacles that cannot be turned off by a switch or pull chain.
- Never clean appliance parts with flammable fluids. These fumes can create a fire hazard or explosion. And do not store or use gasoline or other flammable vapors and liquids in the vicinity of this or any other appliance. The fumes can create a fire hazard or explosion.
- Before proceeding with cleaning and maintenance operations, make sure the power line of the unit is disconnected.
- Do not connect or disconnect the electric plug when your hands are wet.
- Unplug the appliance or disconnect power before cleaning or servicing. Failure to do so can result in electrical shock or death.
- Do not attempt to repair or replace any part of your appliance unless it is specifically recommended in this material. All other servicing should be referred to a qualified technician.

WARNING

- Use two or more people to move and install appliance. Failure to do so can result in back or other injury.
- To ensure proper ventilation for your appliance, the front of the unit must be completely unobstructed. Choose a well-ventilated area with temperatures above 60°F (16°C) and below 90°F (32°C). This unit must be installed in an area protected from the element, such as wind, rain, water spray or drips.
- The appliance should not be located next to ovens, grills or other sources of high heat.
- The appliance must be installed with all electrical, water and drain connections in accordance with state and local codes. A standard electrical supply (115 V AC only, 60 Hz), properly grounded in accordance with the National Electrical Code and local codes and ordinances is required.
- Do not kink or pinch the power supply cord of appliance.
- The fuse (or circuit breaker) size should be 15 amperes.
- It is important for the appliance to be leveled in order to work properly. You may need to make several adjustments to level it.
- Never allow children to operate, play with or crawl inside the appliance.
- Do not use solvent-based cleaning agents of abrasives on the interior. These cleaners may damage or discolour the interior.
- Do not use this apparatus for other than its intended purpose.

IMPORTANT SAFETY RULES

🔥 FLAMMABLE REFRIGERANT GAS 🔥

For your safety, observe the following recommendations.

- This appliance contains a small quantity of R600a refrigerant which is environmentally friendly, but flammable. It does not damage the ozone layer, nor does it increase the greenhouse effect.
- During transportation and installation, ensure that the tubing of the refrigerant circuit is not damaged.
- Avoid using or manipulating sharp objects near by the appliances.
- Leaking refrigerant can ignite and may damage the eyes.
- In the event any damage does occur, avoid exposure to open fires and any device which creates a spark. Disconnect the appliance from the mains power.
- Thoroughly ventilate the room in which the appliance is located for several minutes.
- Notify Customer Service for necessary action and advice.
- The room for installing the appliance must be at least 1 cubic metre per 8 grams of refrigerant. The refrigerant quantity contained in this appliance is listed above in grams, it is also noted on the Rating Plate of the appliance.

⚠️ DANGER ⚠️

- Risk of fire or explosion. Flammable refrigerant used.
- DO NOT use mechanical devices to defrost refrigerator. DO NOT puncture refrigerant tubing.
- Risk of fire or explosion. Flammable refrigerant used. To be repaired only by trained service personnel. DO NOT puncture refrigerant tubing.

⚠️ WARNING ⚠️

- Risk of fire or explosion: Flammable refrigerant used. Consult repair manual / owner's guide before attempting to service this product. All safety precautions must be followed.
- Risk of fire or explosion: Dispose of property in accordance with federal or local regulations.
- Risk of fire or explosion due puncturing of the refrigerant tubing. Follow handling instructions carefully.
- To prevent a child from being entrapped, keep out of reach of children and not in the vicinity of the cooler.

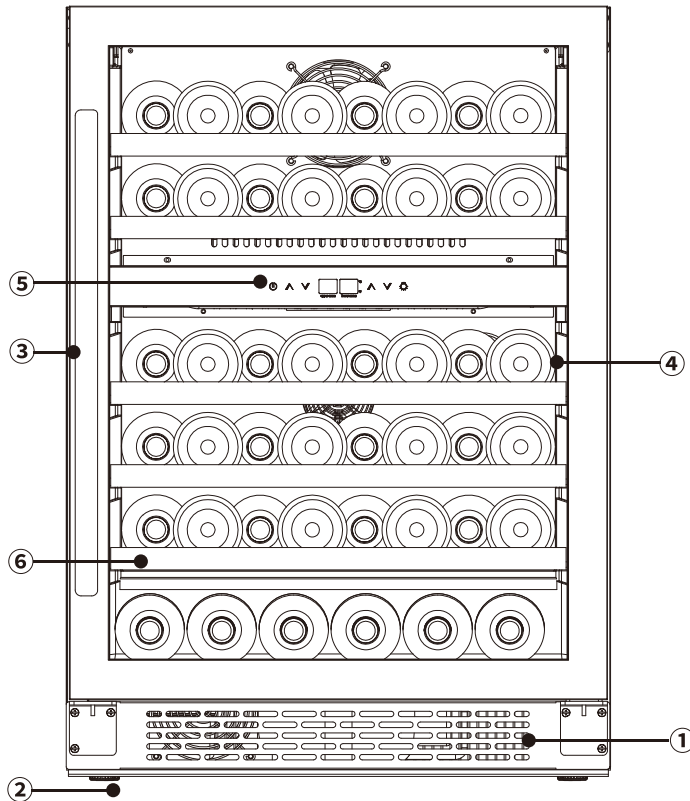
IMPORTANT SAFETY INSTRUCTIONS

To reduce the risk of fire, electrical shock, or injury when using your appliance, follow these basic precautions:

WARNING

- Read all instructions before using the wine cellar.
- **DANGER or WARNING:** Risk of child entrapment.
Child entrapment and suffocation are not problems of the past. Junked or abandoned appliances are still dangerous.
- Before you throw away your old wine cellar, take off the door but leave the shelves in place so that children may not easily climb inside.
- Never allow children to operate, play with, or crawl inside the appliance.
- Never clean appliance parts with flammable fluids. The fumes can create a fire hazard or explosion.
- Do not store or use gasoline or any other flammable vapours and liquids in the vicinity of this or any other appliance. The fumes can create a fire hazard or explosion.

PARTS & FEATURES



- ① Base Grille
- ② Leveling Legs
- ③ Aluminum Alloy Handle
- ④ Double Tempered Glass Door
- ⑤ Display and Control panel
- ⑥ Removable Carbonized Wooden Shelves (Total 5)

Technical Data:

Model No. : Cif-WD24

Voltage: 115V /60Hz

Rated Current: 0.9A

Capacity : 46 standard 750ml wine bottles

Temperature Range: 40°F-65°F (5°C-18°C)

Net Weight: 102.4 lbs

Gross Weight: 122.6 lbs

Unit Dimension: 23.4"W x 23.8"D x 33.8"H

Packaging Dimension: 28.5"W x 28.1"D x 37.5"H

Refrigerant: R600a

INSTALLATION INSTRUCTIONS

Before Using the Wine Cellar

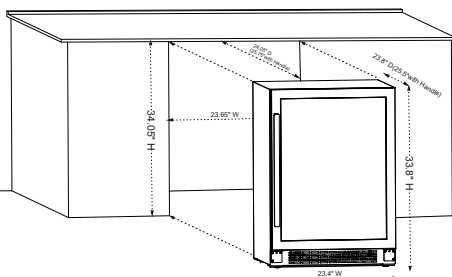
- Remove the exterior and interior packing.
- Check to be sure you have all of the following parts:
 - 6 Shelves
 - Aluminum Alloy Handle
 - Instruction Manual
 - L-Shaped Screwdriver
- Before connecting the Wine Cellar to the power source, let it stand upright for approximately 24~36 hours. It will reduce the possibility of a malfunction in the cooling system from handling during transportation.
- Clean the interior surface with lukewarm water using a soft cloth.
- Install the handle on the left side of the door.

Installation of the Wine Cooler

- This appliance is designed to be for free standing installation or built-in (fully recessed). Place your product on a floor that is strong enough to support it when it is fully loaded. To level the product, adjust the front leveling legs at the bottom of the unit.
- Please locate the product away from direct sunlight and sources of heat (stove, heater, radiator, etc.). Due to direct sunlight may affect the acrylic coating and heat sources may increase electrical consumption. Extreme cold ambient temperatures may also cause the unit not to perform properly. Don't install in a location where the temperature will fall below 60°F (16°C). Avoid locating the unit in a moist area.
- For best performance, it is recommended that you install the appliance in a location with an ambient temperature between 72°-78°F. If the ambient temperature is above or below recommended temperatures, the performance of the unit may be affected.

Built-in Cabinet Instructions

- For built-in installation, leave a ¼" (6 mm) space on each side and at the top of the wine cellar to ensure proper air circulation to cool the compressor and condenser. Also, be sure to not obstruct the front exhaust vent with any objects as this may affect the unit from performing properly.



Free Standing Instructions

- For free standing installation, 5 inches (127mm) of space between the back and sides of the appliance is suggested, which allows the proper air circulation to cool the compressor and condenser.

Cabinet opening dimensions

- Minimum Width: 24" (61 cm)
- Minimum Depth: 24" (61 cm)
- Minimum Height: 34.5" (87 cm)

INSTALLATION INSTRUCTIONS

Electrical Connection

⚡ WARNING ⚡

Improper use of the grounded plug can result in the risk of electrical shock. If the power cord is damaged, have it replaced by an authorized service center.

- This appliance should be properly grounded for your safety. The power cord of this appliance is equipped with a three-prong plug which mates with standard three prong wall outlets to minimize the possibility of electrical shock.

⚠ NOTE ⚠

Plug the unit into an exclusive, properly installed-grounded wall outlet. Do not under any circumstances cut or remove the third (ground) prong from the power cord. For personal safety, this appliance must be properly grounded. And any questions concerning power and/or grounding should be directed toward a certified electrician or an authorized service center.

- The appliance should always be plugged into its own individual electrical outlet which has a voltage rating that matches the rating label on the appliance. This provides the best performance and also prevent overloading house wiring circuits that could cause a fire hazard from overheated. Never unplug the appliance by pulling the power cord. Always grip the plug firmly and pull straight out from the receptacle. Repair or replace immediately all power cords that have become frayed or otherwise damaged. Do not use a cord that shows cracks or abrasion damage along its length or at either end. When moving the appliance, be careful not to damage the power cord.
- This appliance requires a standard 115/120 Volt AC ~/60Hz electrical ground outlet with three-prong. Have the wall outlet and circuit checked by a qualified electrician to make sure the outlet is properly grounded. When a standard 2-prong wall outlet is encountered, it is your responsibility and obligation to have it replaced with a properly grounded 3-prong wall outlet. The cord should be secured behind the appliance and not left exposed or dangling to prevent accidental injury.

Power bar with Surge Protection (Recommended)

- Most electrical appliances use a series of electric control boards to operate. These boards are very susceptible to power surges and could be damaged or destroyed.
- If the appliance is going to be used in an area or if your city / country is prone to power surges / outages; it is suggested that you use a power surge protector for all electrical devices / appliances you use. The surge protector that you select must have a surge block high enough to protect the appliance it is connected to.
- If you have any questions regarding the type and size of surge protector, you need to contact a licensed electrician in your area.

INSTALLATION INSTRUCTIONS

Extension Cord

- Because of potential safety hazards under certain conditions, it is strongly recommended that you do not use an extension cord with this appliance. However, if you must use an extension cord it is absolutely necessary that it be a UL/CUL-Listed, 3-wire grounding type appliance extension cord having a grounding type plug and outlet and that the electrical rating of the cord be 115 volts and at least 10 amperes.

Installing the Handle

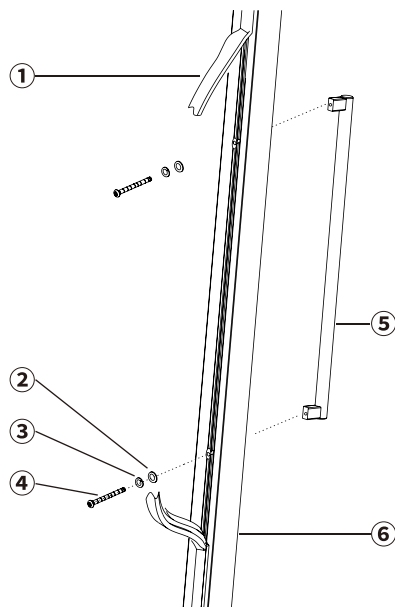
This wine cellar includes a Aluminum Alloy Handle. To install the handle please follow the below instructions:

Step 1: Remove the door gasket where the handle should be installed on the left side of the door, as shown below. You won't need tool since the gasket can be removed by hand. You can start with a corner if you can't remove it from the center.

Step 2: Use the two handle screws, lock washer and flat washer included in the bag containing the instruction manual and insert them into the side of the door from the inside to the outside.

Step 3: Align the holes in the handle with the screws, tighten the screws using the screwdriver until the base of the handle is at the level of the door and that the handle is tight but not too tight to damage the assembly.

Step 4: Replace the gasket the door in place.



- ① Gasket
- ② Flat washer
- ③ Lock washer
- ④ Screw
- ⑤ Handle
- ⑥ Door frame

INSTALLATION INSTRUCTIONS

Installing Reversing the Door

1. Please remove the bottom hinge holder (2) by unscrewing the two lock screws (1). Be careful to hold the glass door firmly after removing the screws. **Please check Figure 1**
2. Gently pull down to remove the glass door from the right top hinge and place it on a padded surface to avoid the risk of damage. Remove the lower hinge on the vent grill by using a screwdriver and moving it to the right side of the door where the door was just removed from the hinge.
3. Unscrew and store the right lower hinge safely and replace it to the opposite side with the left lower hinge that is equipped along with the user manual in the cabinet, making sure to line up the screw holes. **Please check Figure 2**
4. Using a flat-head screwdriver, gently pry up the decorative hinge cover plate from the top left of the unit and the round black decorative cover caps on the upper left side corner of the inside cabinet frame. Use them to cover the screw holes from the right-hand side.
5. Move the top hinge from the right-hand side to and use the upper right hinge that is equipped along with the manual in the cabinet to install on the left side of cabinet (7) by removing the screws. **Please check Figure 3/4**
6. Relocate the door to the left-hand side of cabinet by placing the door hinge holes into the hinge, then screw the bottom hinge assembly onto the left designated position and tighten after the door is leveled. **Please check Figure 4**

Figure 1

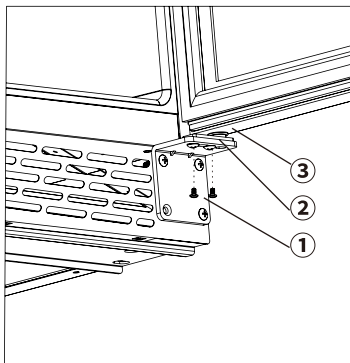


Figure 2

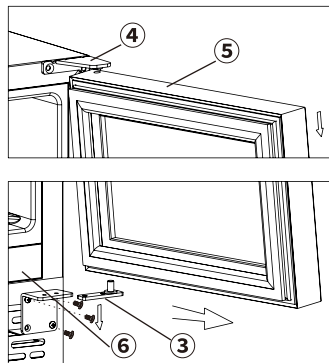


Figure 3

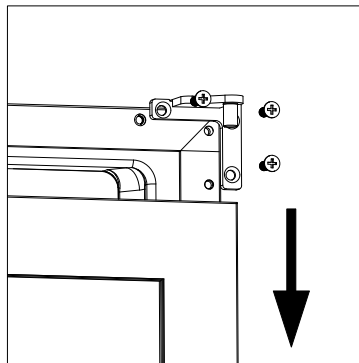
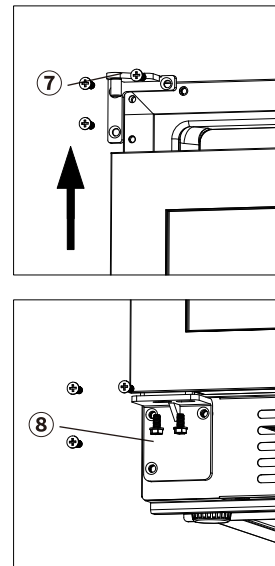


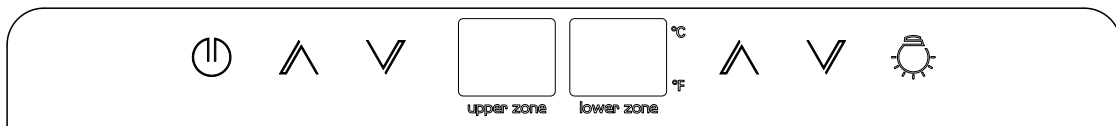
Figure 4





OPERATING YOUR WINE CELLAR

It is recommended you install the wine cellar in a place where the ambient temperature is between 19°C-24°C (66°F-75°F). If the ambient temperature is above or below recommended temperatures, the performance of the unit may be affected. For example, placing your unit in extreme cold or hot conditions may cause interior temperatures to fluctuate. The range of 40°F-65°F (5°C-18°C) may not be reached.

Control Panel




 **ON/OFF:** Press and hold the ON / OFF control button for 5 seconds will shut down the appliance but still power on, only the on/off icon will light up.

 **INSIDE LIGHTING:** The cooling zone has an interior light. Press once the light control button will switch between different colors and off, the light color switch cycle sequence is in white, blue, amber color and off.

TEMPERATURE DISPLAY: To change the temperature display from Fahrenheit to Celsius, press and hold the light button for five seconds.

 **[+] UPPER/LOWER ZONE BUTTON:** To increase the temperature by 1°C or 1°F of the Upper/temperature zone.

 **[-] UPPER/LOWER ZONE BUTTON:** To decrease the temperature by 1°C or 1°F of the Upper/temperature zone.

Control panel: 5 minutes without any operation, all the touch keypad light will turn off and the temperature will display normally. Touch any keypad can light up the button indicating light.

NOTE

- If the unit is unplugged, if the power is lost, or turned off, you must wait 3 to 5 minutes before restarting the unit. If you attempt to restart before this time delay, the wine cellar will not start.
- When you use the wine cellar for the first time or restart the wine cellar after having been shut off for a long time, there could be a few degrees variance between the temperature you select and the one indicated on the LED readout. This is normal and it is due to the length of the activation time. Once the wine cellar is running for a few hours everything will be back to normal.

Setting the Temperature

- The temperature range of wine cellar (Cif-WD24) is 40°F - 65°F (5°C - 18°C). The temperature will increase by 1°C or 1°F if you touch UP once, or the temperature will decrease by 1°C or 1°F if you touch DOWN once. To view the setting temperature at any time, touch the UP or DOWN marks. The setting temperature will temporarily flash in the LED display for 5 seconds and show the set temperature in white.

The unit has two separate temperature zones. The temperature of both zones can be set between 40°F and 65°F (5°C and 18°C). The LOWER temperature zone is ideal for storing white and red wine at a setting of 55°F to 65°F (13°C to 18°C). The UPPER temperature zone is suitable for storing champagne and white wine at a setting of 40°F to 55°F (5°C to 13°C).

The temperature in the lower zone must be set either the same as or higher than the temperature in the upper zone. For optimal performance, the temperatures in the two zones should differ by at least 4°C

NOTE

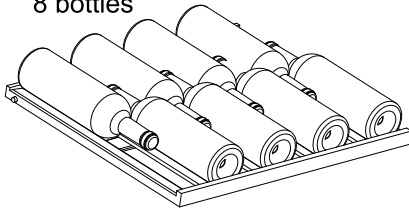
This product is designed for storing and cooling wine. It is not intended for storage of perishable foods.

OPERATING YOUR WINE CELLAR

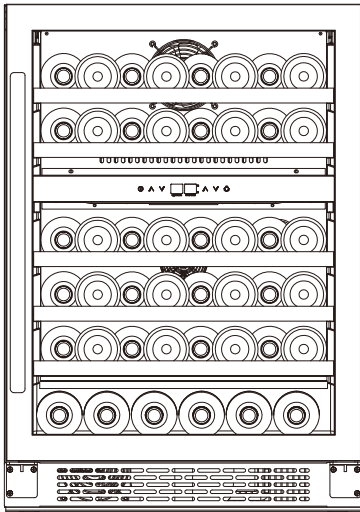
Large Storage Capacity

- While bottles may vary in size and dimension, approximately 46 traditional Bordeaux 750ml bottles can be stored in the wine cellar. You can place 8 bottles on each shelf and 6 standard bottles in the bottom of the cabinet.

8 bottles



About total 46 bottles.



Recommended Temperature Settings

Wine Conservation	°C	°F
sparkling wines	5-8	40-47
Rose wines	10-11	49-51
Dry/white wines	9-14	48-57
Red wines	15-22	58-72

⚠ NOTE ⚠

Wine bottles on bottom shelf cannot be longer than 12 inches.

Shelves

- This appliance is equipped with 6 pcs of carbonized wooden shelves and you can move the shelves out and in smoothly.
- To prevent damaging the door gasket, make sure to have the door all the way opened when pulling shelves out of the product. For easy access to the bottles, you must pull the shelves approximately 1/3 out of the cabinet.

Moving the Wine Cellar

1. Remove all items (bottles)
2. Tape down securely all loose items (shelves) inside your appliance.
3. Turn the adjustable leg up to the base to avoid damage.
4. Tape the door shut.
5. Be sure the appliance stays secure in the upright position during transportation. If you absolutely need to transport the cellar horizontally, transport the cellar on its back (door on top).
6. Protect outside of appliance with a blanket, or similar item.

OPERATING YOUR WINE CELLAR

Cleaning the Wine Cellar

- Turn off the power, unplug the appliance, and remove all items including shelves. Wash the inside surfaces with a warm water and baking soda solution. The solution should be about 2 tablespoons of baking soda to 1 cup of water. Wash the shelves with a mild detergent solution. Wring excess water out of the sponge or cloth when cleaning area of the controls, or any electrical parts. Wash the outside cabinet with warm water and mild liquid detergent. Rinse well and wipe dry with a clean soft cloth.

⚠ ATTENTION ⚠

- Please do not disconnect the unit during operation to avoid you exposing yourself to risk of electric shock or personal injury.

Automatic Defrosting

- The unit defrost automatically. The evaporator behind the rear wall of the unit defrosts automatically. The condensate collects in the drainage channel behind the rear wall of the unit, and flows through the drainage hole into the drip tray by the compressor where it evaporates.

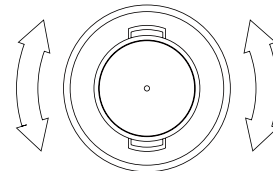
Power Failure

- Most power failures are corrected within a few hours and should not affect the temperature of your appliance if you minimize the number of times the door is opened. If the power is going to be off for a longer period of time, you need to take the proper steps to protect your contents.

Charcoal Filtration System

- Your wine cooler is equipped with an active charcoal filtration system to ensure air purity and to maintain an odour free cabinet for the storage of your wines. The filter is located at the bottom of the rear panel inside your cellar. Keep in mind, that this filter should be changed every 12 months.

- Remove the bottles of wine stored on the two shelves in front of the filter.
- Remove the shelves and set aside to be replaced once you have changed the filter
- Hold the filter and turn it at 45 degrees in the counter-clockwise direction and then pull it out.
- Remove the existing filter and replace with a new one.
- Put the new filter into the hole and then turn the filter at 45 degrees in clockwise direction.



Energy Saving Tips

- The wine cellar should be located in the coolest area of the room, away from heat producing appliances, and out of the direct sunlight. Ensure that the unit has proper allowances on all sides for proper ventilation. Never cover any air vents.
- Only open the cooler door for as long as necessary. Frequent opening of the door will affect internal temperature.

TROUBLESHOOTING GUIDE

You can solve many common wine cellar problems easily, saving you the cost of a possible service call. Please try the suggestions below to see if you can solve the problem before emailing the service team.

PROBLEM	POSSIBLE CAUSE	SOLUTION
Cellar does not operate.	Not plugged in. The appliance is turned off. The circuit breaker tripped or a blown fuse.	Plug the unit. Turn on the unit. Check the breaker and/or fuses.
Cellar is not cold enough.	External environment may require a higher setting. The door is opened too often. The door is not closed completely. The door gasket does not seal properly.	Check the temperature control setting. Close the door properly. Check the door gasket.
The compressor turns on and off frequently.	The room temperature is hotter than normal. A large amount of contents has been added to the cellar. The door is opened too often. The door is not closed completely. The temperature control is not set correctly. The door gasket does not seal properly.	Close the door properly. Check the door gasket.
The fans turn on and off frequently.	In order to circulate the air and maintain the set temperature inside the cabinet the fans must cycle on and off even when the compressor is off. The fans will cycle ON and OFF while the compressor is off approximately every 20 seconds, this is called "Semi-speed status". This cycle is normal and meant both to circulate the air as well as ensure the continued operational status of the fans. If the fan stops completely and does not complete this cycle the fan is non-operational.	
Fan is always running	This is simply a function of the cooling system. The lower the setting, the more the fan will run. If the room is very warm, the cooler will run more. The unit has been designed to run continuously when operating at the lower temperatures.	
The light does not work.	Not plugged in. The circuit breaker tripped or a blown fuse. The light button is "OFF".	Plug the unit. Check the breaker and/or fuses.
Vibrations.	The cellar does not be leveled The bottles are vibrating. There is an object under the Cellar.	Check to assure that the Cellar is level. Make sure the bottles don't touch each others. Remove the object.
The product seems to make too much noise.	The unit is not level.	Level the cellar. The rattling noise may come from the flow of the refrigerant, which is normal. As each cycle ends, you may hear gurgling sounds caused by the flow of refrigerant in your cellar. Contraction and expansion of the inside walls may cause popping and crackling noises.
Display shows: E1, E2, E5, E6, EU	Temperature sensor failure or communication error	Call the service center
Inside light flashes	In some instances, this is normal the light may flash when the automatic defrost function starts to work. Set temperature is higher than inner temperature.	Adjust temperature to resolve
Frost appears in cabinet (on back)	Either too much humidity or too low of temperature inside cabinet.	Unplug cellar and allow to manually defrost. Reconnect when ice has melted. If problem persists, contact for service instructions.
The door will not close properly.	The Cellar is not level. The door was reversed and not properly installed. The gasket is dirty. The shelves are out of position.	Level the cellar. Close the door properly. Clean the door gasket. Place the shelves properly.

LIMITED WARRANTY

1 YEAR WARRANTY PARTS & LABOUR

- For a year (12 months) from the date of delivery by the original owner, we will, at its option, repair or replace any part of the unit, which proves to be defective in material or workmanship under normal use.
- During this period we will provide all parts and labour necessary to correct such defects free of charge, so long as the unit has been installed and operated in accordance with the written instructions in this manual.

3 YEAR WARRANTY COMPRESSOR

- For the 2nd through the 3rd year from date of original delivery, we will provide a replacement compressor free of charge due to a failure.
- You are responsible for the service labour and freight charges. Cost to move the wine cellar to the servicers' shop and back to the user's home, as may be required, are the user's responsibility.

WHAT IS NOT COVERED

- Damage due to such things as accident, misuse, abuse, mishandling, neglect, acts of God, fires, earthquakes, floods, high winds, government, war, riot or labour troubles, strikes, lockouts, delay of carrier, or any cause beyond the control of the Seller whether similar or dissimilar to the foregoing.
- Content losses due to spoilage.
- Incidental or consequential damages.
- Parts and labour costs for the following will not be considered as warranty:
 - *Door springs, and/or frames.*
 - *Inner door panels, door rails and/or door supports.*
 - *Light bulbs and/or plastic housing.*
 - *Plastic cabinet liners.*
- Punctured evaporator that voids the warranty on the complete sealed system.
- Repairs performed by unauthorized servicers.
- Service calls that do not involve defects in material or workmanship such as customer education, door reversal, or proper installation.
- Service calls that are related to external problems, such as abuse, misuse, inadequate electrical power, accidents, fire, floods, or acts of God.
- Replacement of house fuses or resetting circuit breakers.
- Failure of the product if it is used for other than its intended purpose.
- This warranty does not apply outside Canada or the Continental USA.

Purchaser understands and acknowledges that the goods purchased are wine cellars, which house wines. Purchaser assumes all risk of using this unit, including risk of spoilage, humidity variations, temperature variations, leaks, fire, water damage, mold, mildew, dryness, and similar perils that might occur.

CUSTOMER SERVICE

Thank you for purchasing this Calefort product. This user manual will help you to get the best performance from your new wine cellar. For future reference, record the model number, serial number and the date of purchase. The model number plate is located on the inside wall of the refrigerator.

Delivery / Pick up Date : _____

Model Number : C1f-WD24

Serial Number : _____

Contact Us

We're proud of our service and want you to be pleased. If for some reason you are not happy with the service you receive, here are some steps to follow for further assistance. First, contact the people who serviced your wine cellar. Explain why you are not pleased. In most cases, this will solve the problem.

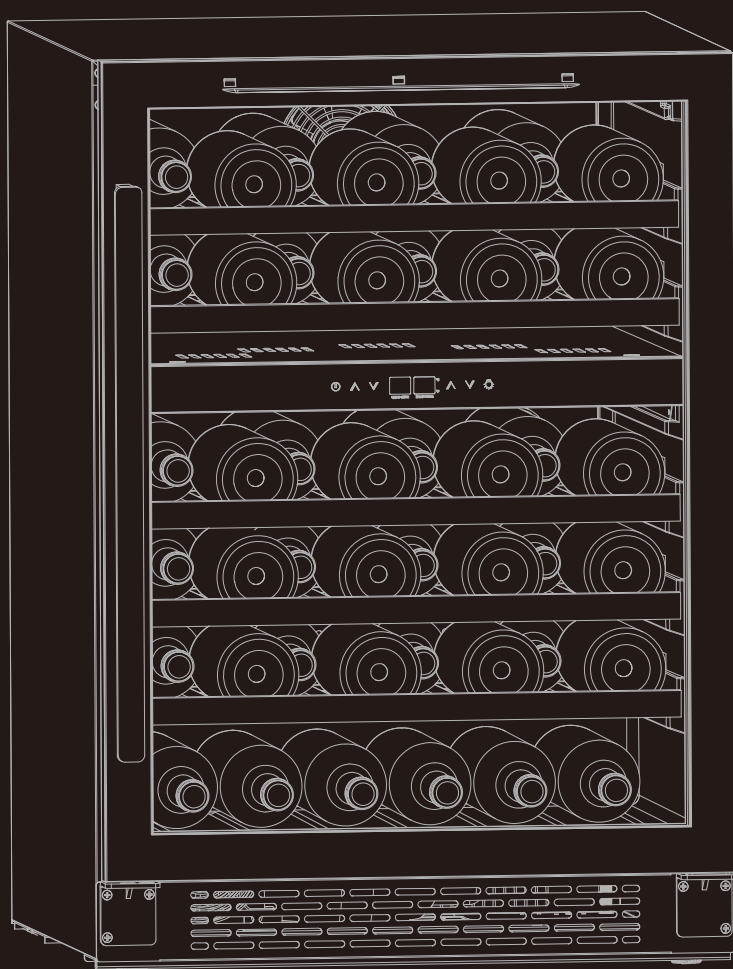
Next, if you are still not pleased, write all the details, including your telephone number, and send it to:

Address	
Phone	
Fax	
Email	
Online	

Ca'Lefort

24" Compressor Wine Cooler Refrigerator

Total 46 Bottles (750ml Bordeaux)



Model: Clf-WD24

Style: Luxury & Classic

Light: White / Blue / Amber

Design: Aluminum Alloy Handle

Make it freely, enjoy life.