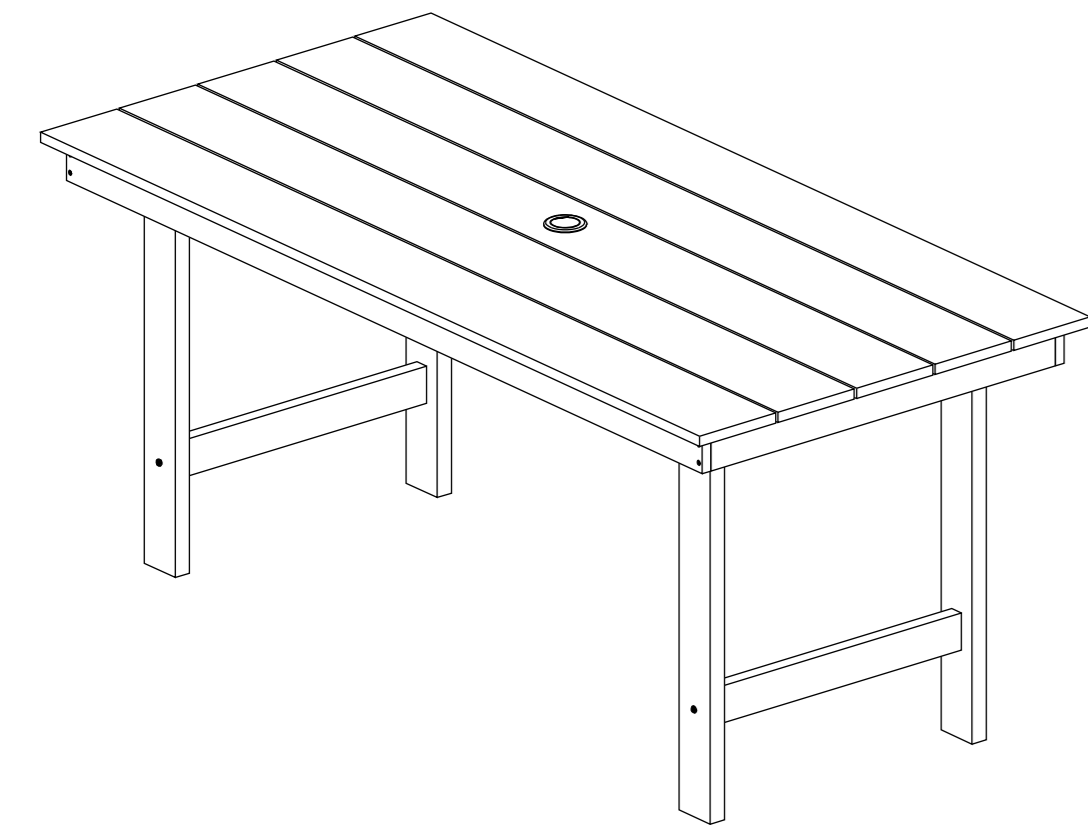


Dining Table

Assembly Instructions

A031-055-001



email: poly@homeselecting.com

Important -Please read these instructions fully before starting assembly

HASSLE-FREE WARRANTY

We stand behind the quality of our products. If you have any questions, please send an email.



220 LBS CAPACITY



1 PERSON ASSEMBLY



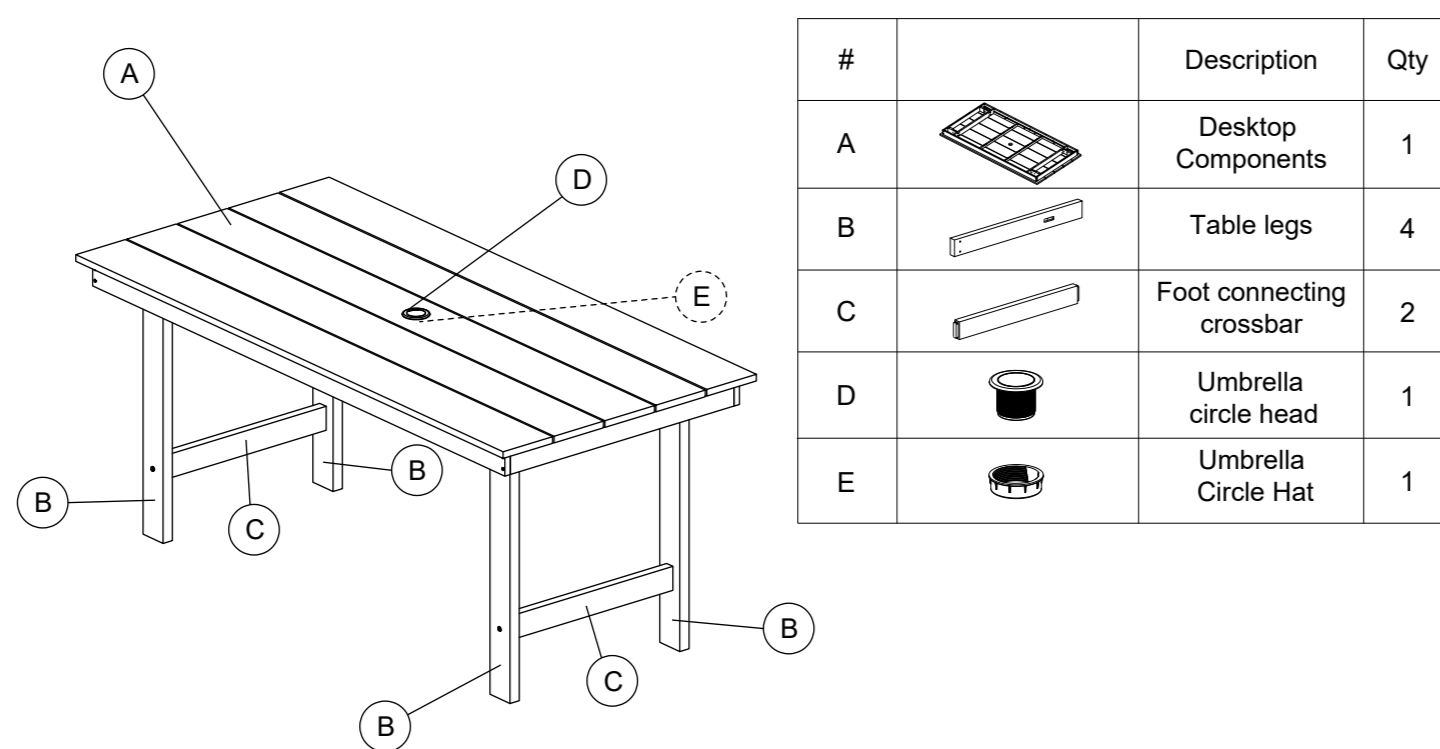
AROUND 25 MIN ASSEMBLY

If you need help or have damaged or missing parts, please email: poly@homeselecting.com

Components

Please check you have all the components listed below.

Note: The illustration of the product shows the exact position of each part. Check when assembling.



Hardware & Tools

Note: The quantities below are the correct amount to complete the assembly. In some cases more fittings may be supplied than required.

| | | |
|---------------------------------------|---------------------------------------|--|
| <p>① × 12</p> <p>M6 x 70MM Screws</p> | <p>② × 8</p> <p>M6 x 70MM Bolts</p> | <p>③ × 8</p> <p>Washer</p> |
| <p>④ × 8</p> <p>Nut</p> | <p>⑤ × 1</p> <p>Wrench (Included)</p> | <p>⑥ × 1</p> <p>Hex key (Included)</p> |

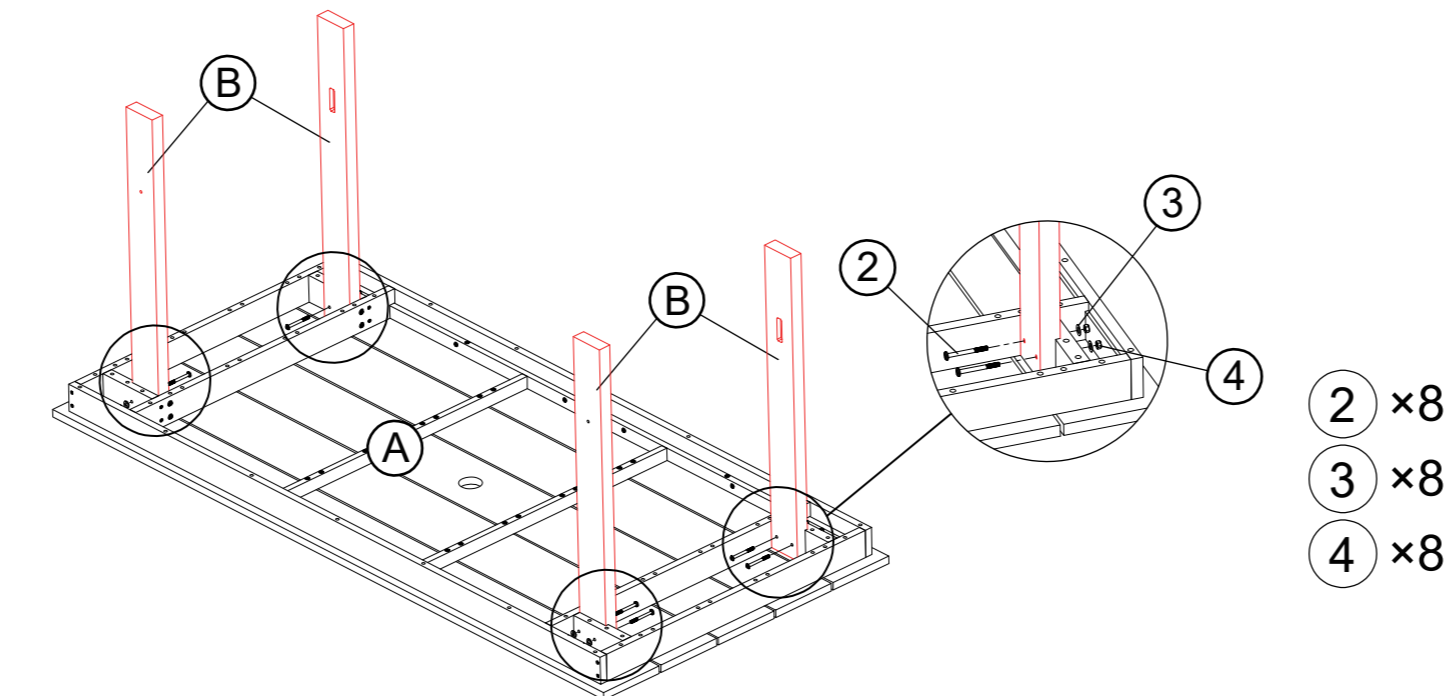
If you need help or have damaged or missing parts, please email: poly@homeselecting.com

Assembly Instructions

⚠ Caution: Please do not over-tighten bolts and screws during assembly.

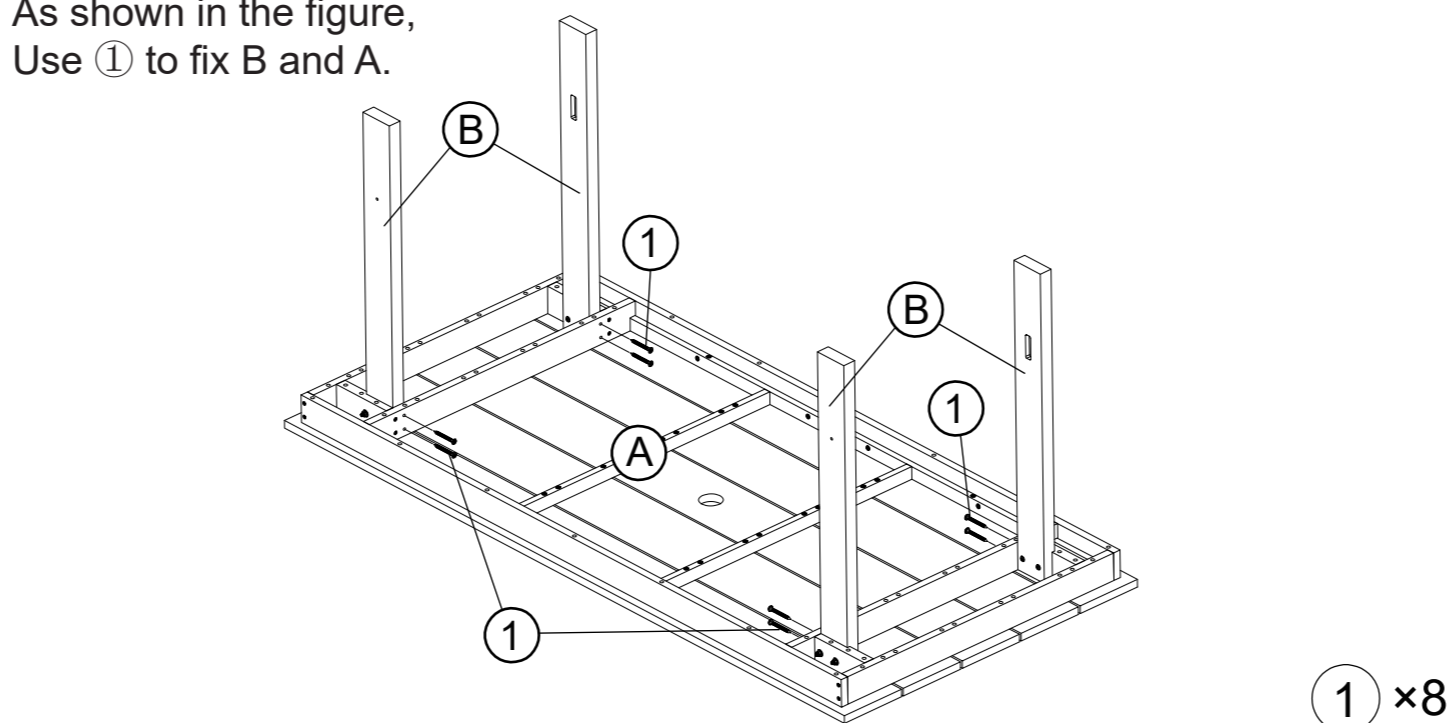
STEP 1

As shown in the figure, Use ②③④ to fix B and A.



STEP 2

As shown in the figure, Use ① to fix B and A.



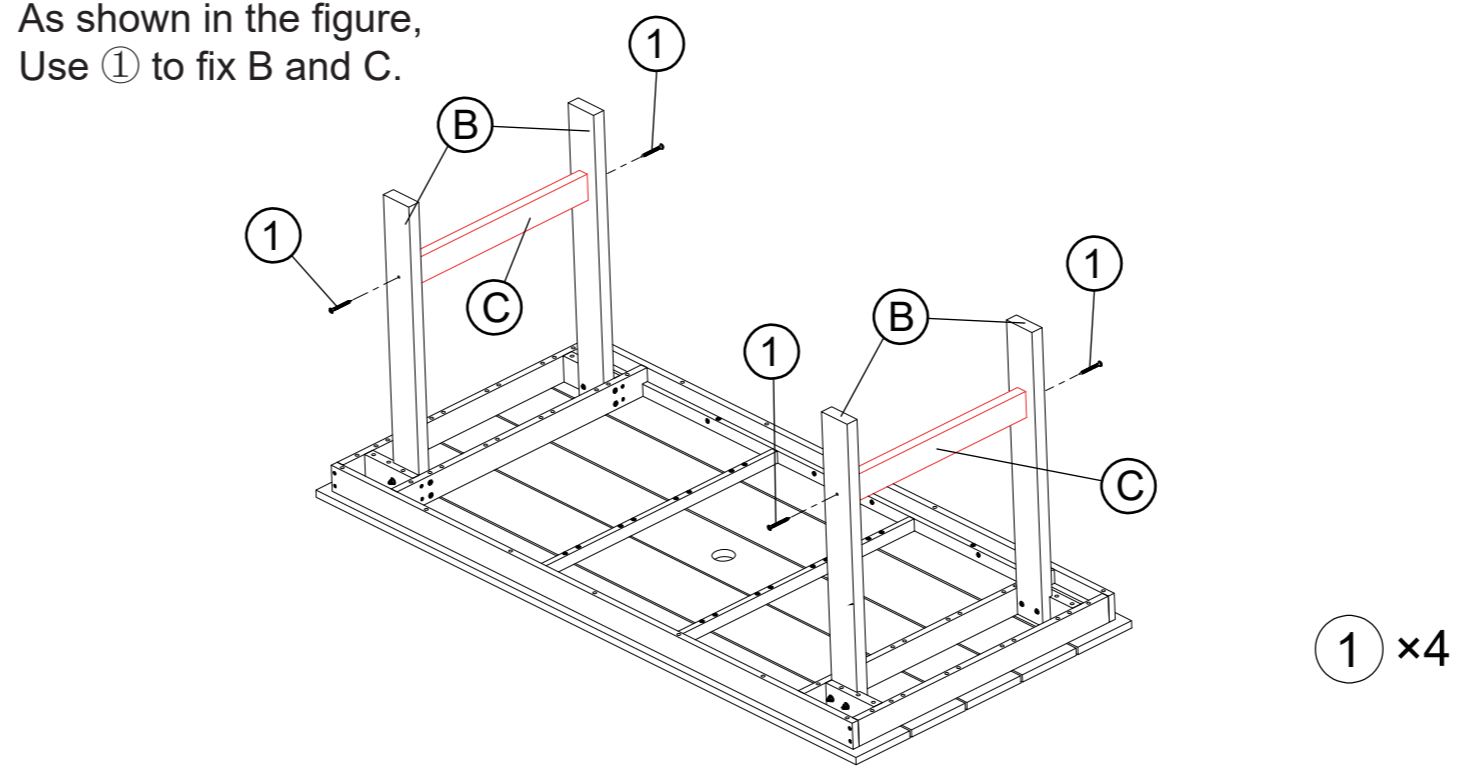
If you need help or have damaged or missing parts, please email: poly@homeselecting.com

Assembly Instructions

⚠ Caution: Please do not over-tighten bolts and screws during assembly.

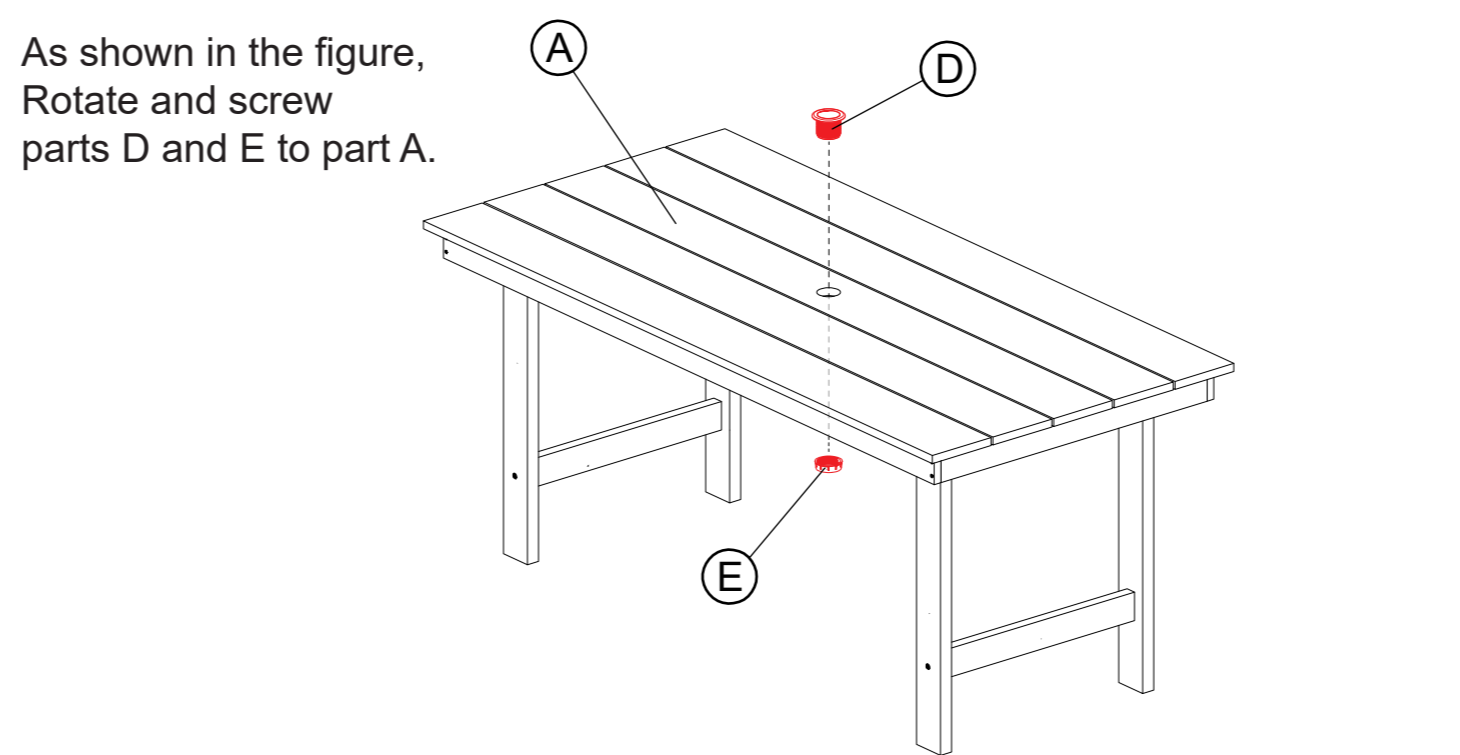
STEP 3

As shown in the figure, Use ① to fix B and C.



STEP 4

As shown in the figure, Rotate and screw parts D and E to part A.



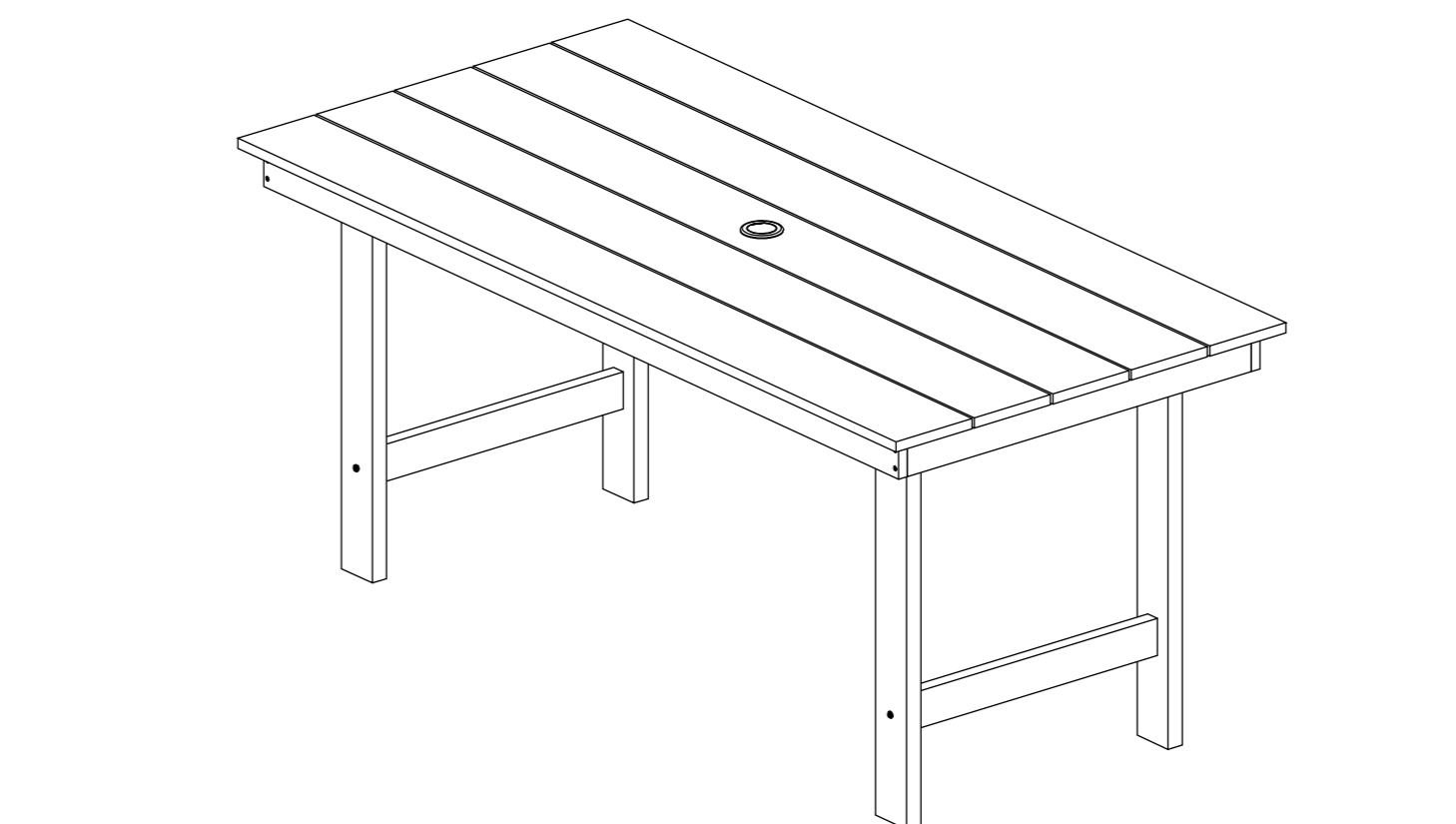
If you need help or have damaged or missing parts, please email: poly@homeselecting.com

Assembly Instructions

⚠ Caution: Please do not over-tighten bolts and screws during assembly.

STEP 5

As shown in the figure, Your table is ready for use.



If you need help or have damaged or missing parts, please email: poly@homeselecting.com

Warnings

Important -Please read these instructions fully before starting assembly

Check you have all the components and tools listed on the page 2.

Remove all fittings from the plastic bags and separate them into their groups.

Keep children and animals away from the work area, small parts may cause choking if swallowed.

Make sure you have enough space to layout the parts before starting.

Assemble on a soft level surface to avoid damaging the unit or your floor.

Do not stand or put weight on the product, this could cause damage.

Assemble the item as close to its final position (in the same area) as possible.

Do not place furniture directly in front of radiators, fires, or any other source of heat.



The assembly will be easier with 2 people while 1 person could also do the job.



Refer to the LISTING page for specific installation videos.

Cleaning & Maintenance

• Clean the product with a solution of mild soap and water. Dip a soft cloth or sponge into the solution and wipe down the entire surface.

• After cleaning, thoroughly rinse the furniture with water to remove any remaining soap residue.

• When not in use, cover the product with a protective cover to keep it clean and prolong its lifespan.

HDPE Dining Chair set of 2

Assembly Instructions

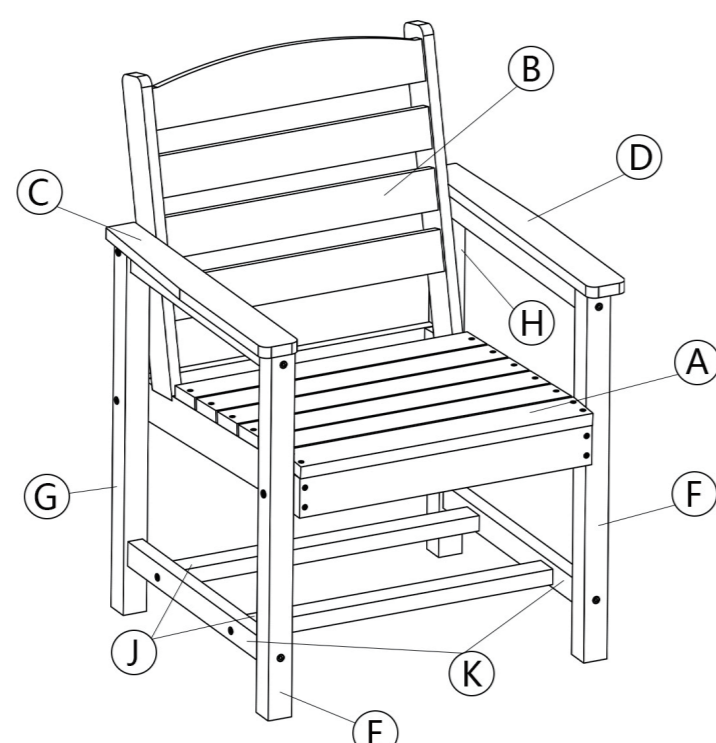
A101-041-001

If you need help or have damaged or missing parts, please email: poly@homeselecting.com

Components

Please check you have all the components listed below.

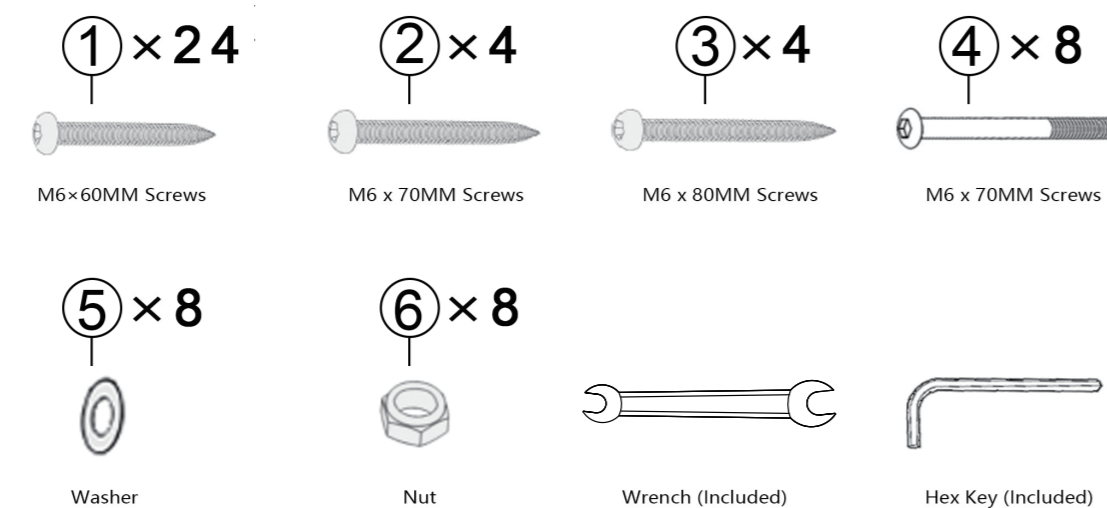
Note: The illustration of the product shows the exact position of each part. Check when assembling.



| # | Description | Qty. |
|---|------------------|------|
| A | Seat | 2 |
| B | Backrest | 2 |
| C | Right Arm | 2 |
| D | Left Arm | 2 |
| E | Right Front Leg | 2 |
| F | Left Front Leg | 2 |
| G | Right Rear Leg | 2 |
| H | Left Rear Leg | 2 |
| J | Middle Stretcher | 4 |
| K | Side Stretcher | 4 |

Hardware & Tools

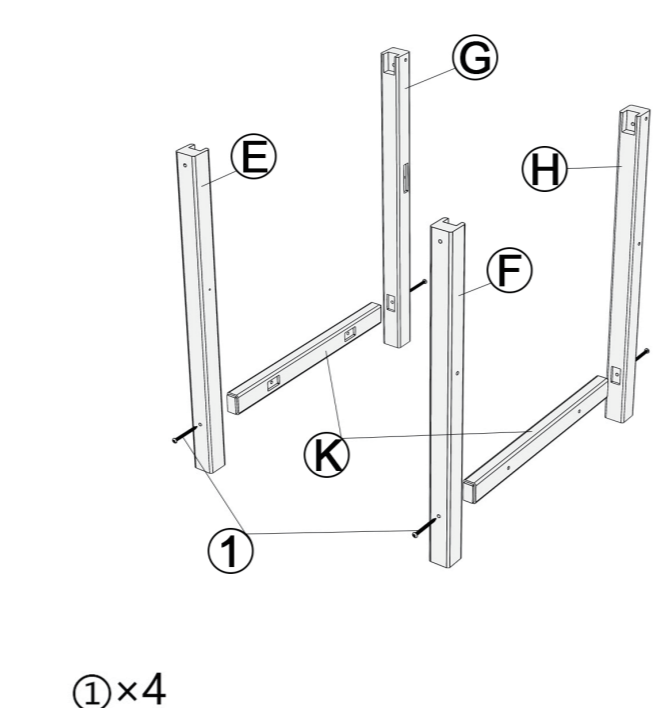
Note: The quantities below are the correct amount to complete the assembly. In some cases more fittings may be supplied than required.



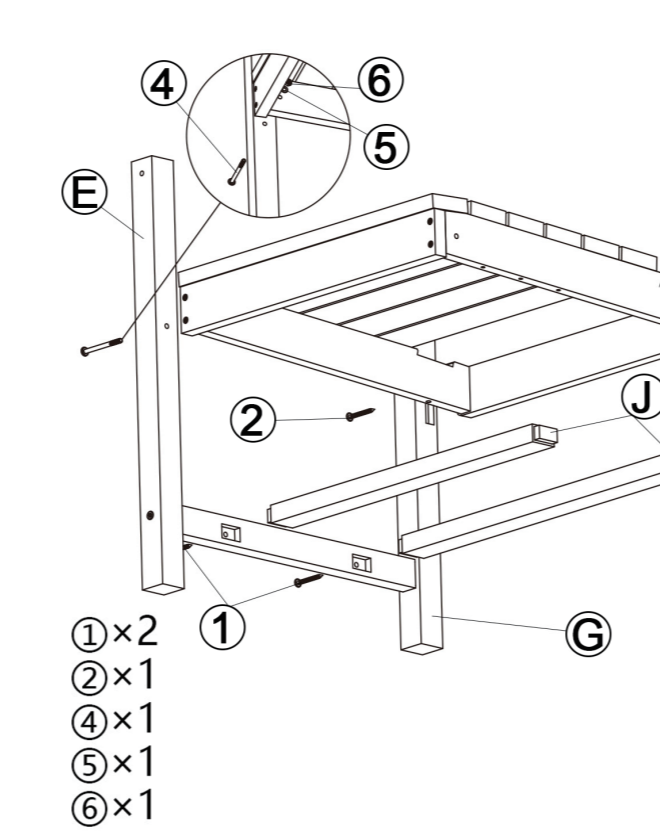
If you need help or have damaged or missing parts, please email: poly@homeselecting.com

Assembly Instructions

⚠ Caution: Please do not over-tighten bolts and screws during assembly.



STEP 1
Attach two "Side Stretchers (K)" to "Right Front Leg (E)" and "Right Rear Leg (G)" to create the right leg frame. Use "① M6×60MM Screw" to secure the parts and tighten them with a hex key. Repeat the process to create the left leg frame.



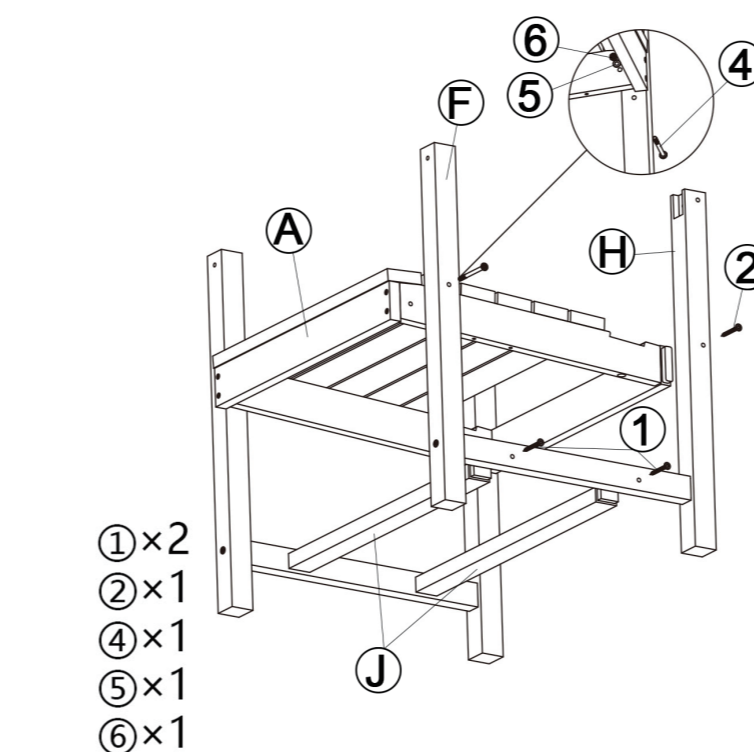
STEP 2
Attach "Middle Stretcher (J)" to "Side Stretcher (K)". Use "① M6×60MM Screws" and tighten them with a hex key.

Attach "Seat (A)" to the right leg frame. Use "④ M6×70MM Bolt", "⑤ Washer" and "⑥ Nut" on the front leg and tighten with a "⑦ Wrench" and "⑧ Hex Key", use "② M6×70MM Screw" on the rear leg and tighten with a hex key.

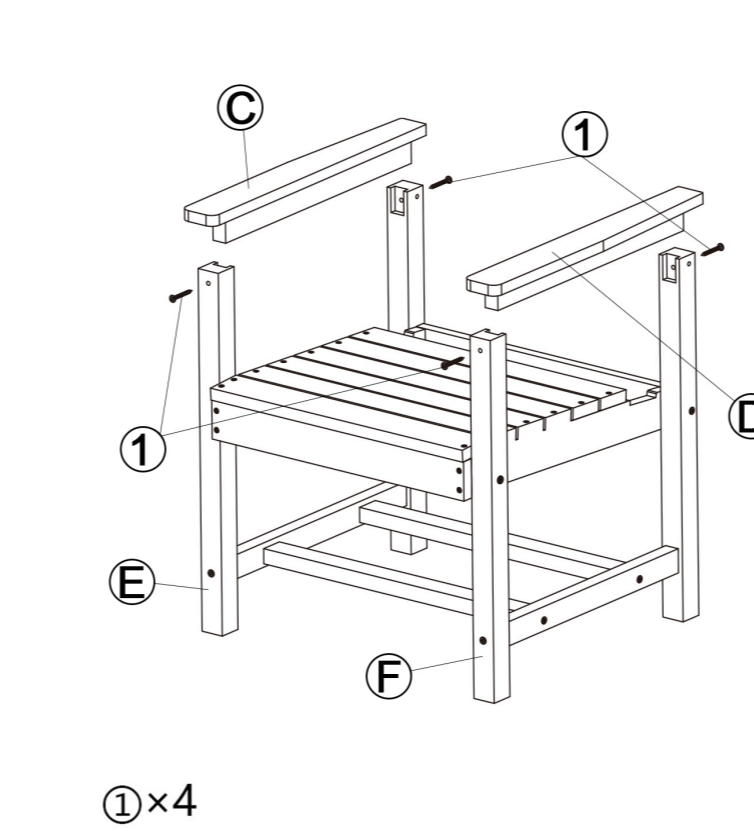
If you need help or have damaged or missing parts, please email: poly@homeselecting.com

Assembly Instructions

⚠ Caution: Please do not over-tighten bolts and screws during assembly.



STEP 3
Repeat the process on step 2 to assemble the "Middle Stretcher (J)" and "Seat (A)" to the left leg frame.

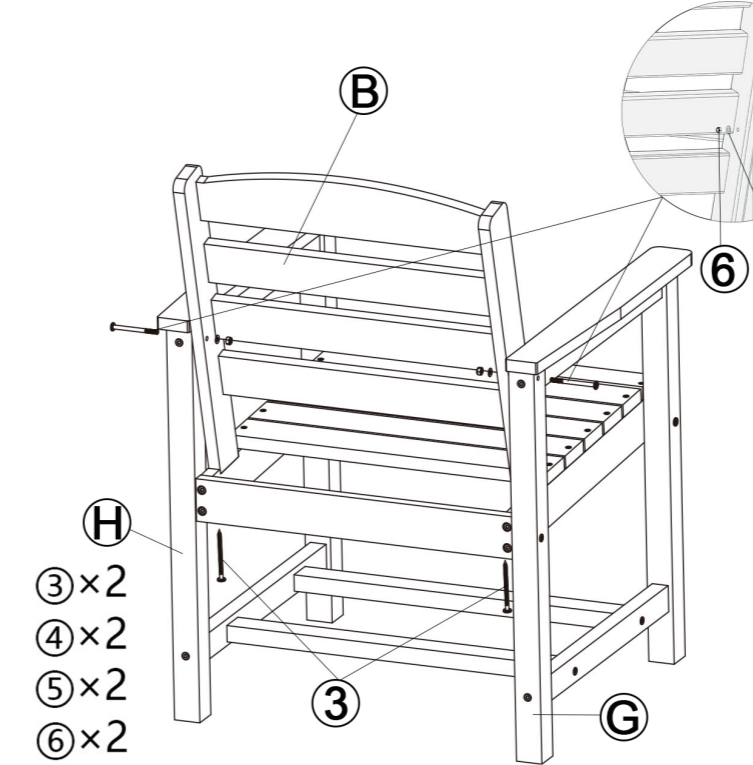


STEP 4
Attach "Right Arm (C)" to right leg frame and attach "Left Arm (D)" to left leg frame using "① M6×60MM Screw" and tighten them with a hex key.

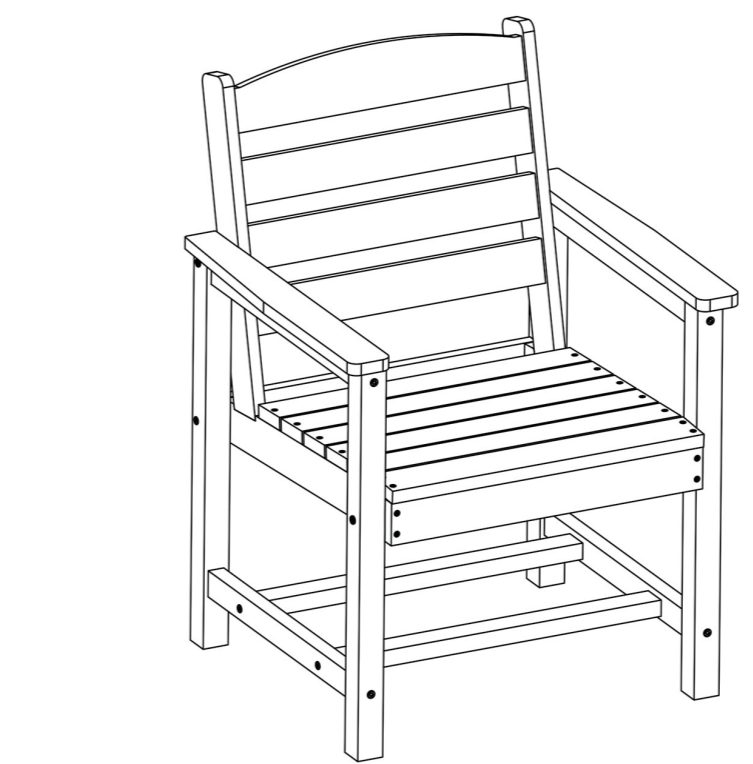
If you need help or have damaged or missing parts, please email: poly@homeselecting.com

Assembly Instructions

⚠ Caution: Please do not over-tighten bolts and screws during assembly.



STEP 5
Assembly "Backrest (B)" to the chair frame. Attach the backrest to the seat using "③ M6×80MM Screw" and tighten them with a hex key. Attach the backrest to the leg frame using "④ M6×70MM Bolt", "⑤ Washer" and "⑥ Nut" on the front leg and tighten with a "⑦ Wrench" and "⑧ Hex key".



STEP 6
Stand the chair. Place the chair on a LEVEL SURFACE. Inspect it and make sure all parts are adequately connected. Your chair is ready for use. Repeat the step 1 to step 6 to assemble the second chair.

If you need help or have damaged or missing parts, please email: poly@homeselecting.com

Warnings

Important -Please read these instructions fully before starting assembly

Check you have all the components and tools listed on the page 2.

Remove all fittings from the plastic bags and separate them into their groups.

Keep children and animals away from the work area, small parts may cause choking if swallowed.

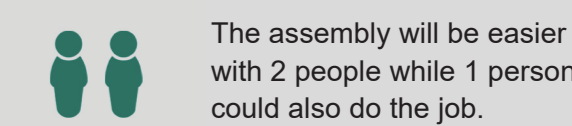
Make sure you have enough space to layout the parts before starting.

Assemble on a soft level surface to avoid damaging the unit or your floor.

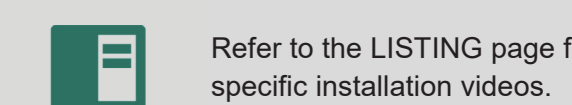
Do not stand or put weight on the product, this could cause damage.

Assemble the item as close to its final position (in the same area) as possible.

Do not place furniture directly in front of radiators, fires, or any other source of heat.



The assembly will be easier with 2 people while 1 person could also do the job.



Refer to the LISTING page for specific installation videos.

Cleaning & Maintenance

• Clean the product with a solution of mild soap and water. Dip a soft cloth or sponge into the solution and wipe down the entire surface.

• After cleaning, thoroughly rinse the furniture with water to remove any remaining soap residue.

• When not in use, cover the product with a protective cover to keep it clean and prolong its lifespan.

email: poly@homeselecting.com

Important -Please read these instructions fully before starting assembly

HASSLE-FREE WARRANTY

We stand behind the quality of our products. If you have any questions, please send an email.



360 LBS CAPACITY



1 PERSON ASSEMBLY



AROUND 25 MIN ASSEMBLY