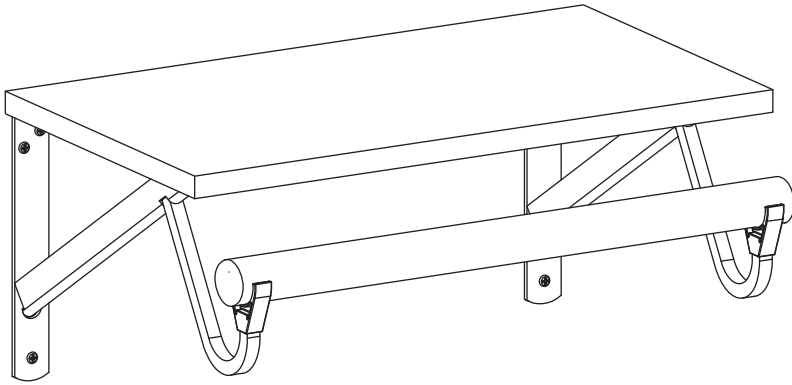
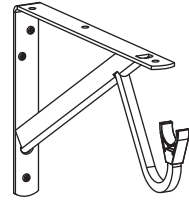


INSTALLATION OF 72" AND 96" RODS PROPERLY INSTALLED WITH BRACKETS



Bracket (sold separately):

A



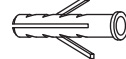
Fasteners (sold separately):

AA



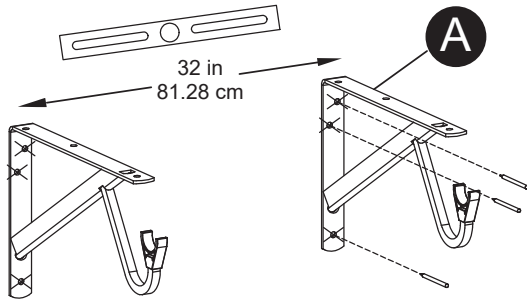
P/H Screw, #10 x 1-1/2"

BB

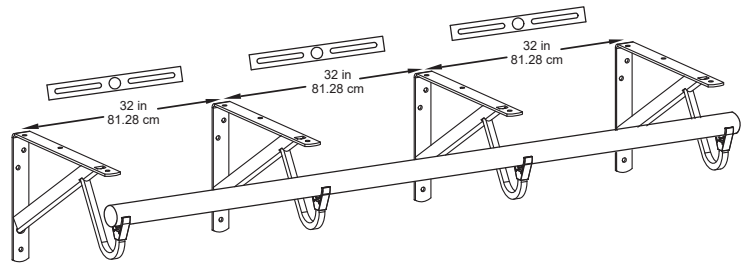


Anchor, M8 x 40mm

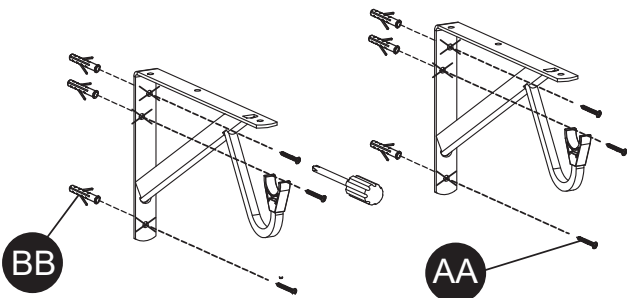
1 Installation



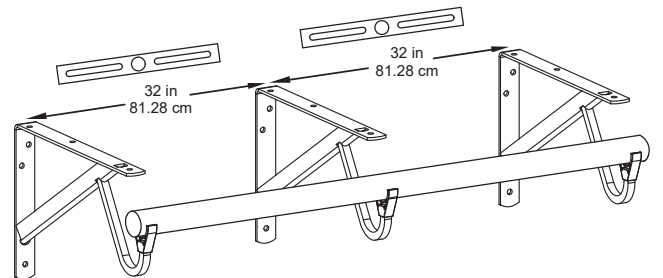
1a 96-IN Closet Rod



2



1b 72-IN Closet Rod



3

