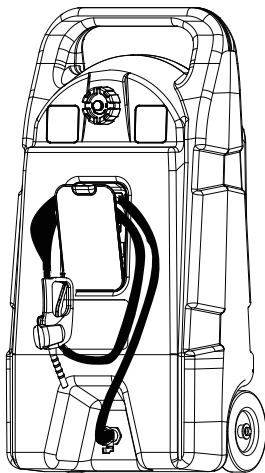
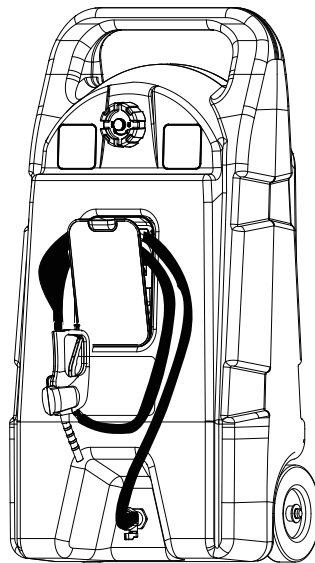


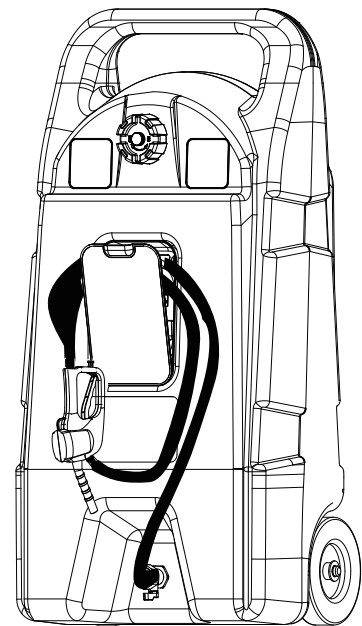
# GASOLINETANK



**57L**



**95L**



**130L**



# Instruction Manual For Gasoline Tank

## STEP BY STEP INSTRUCTIONS

### GENERAL USE

1. Locate pump nozzle (8) and screw on to  $\frac{3}{4}$ " NPT threaded hose end that is coated with sealant. Tighten down (do not over-tighten) in a clockwise motion until it is fastened securely. Once secured check for leaks by spraying or brushing a thin solution of diluted foaming dishwasher detergent. Once applied, watch for air bubbles. Tighten connection, if needed.
2. Connect hose assembly (1) to tank valve (2).
3. Open tank valve (2), hose shut-off valve (3) and fill vent screw cap (4).
4. Gas Walker 14 is a gravity fed unit, so it must be higher than the tank to be filled. Squeeze handle (5) numerous times to start the fuel flowing and hold the pump handle to continue flow. Once you let go of the pump handle, the fuel flow will stop.
5. Once the fuel transfer is complete close vent screw cap (4) and shut off valves (2, 3).
6. Rehang hose on attached hanger (6).

### LIFTING INSTRUCTIONS

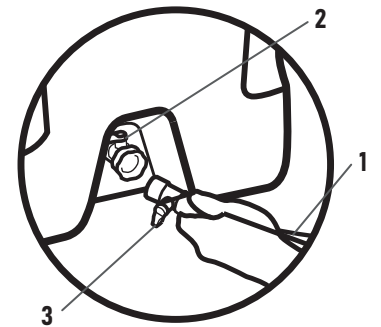
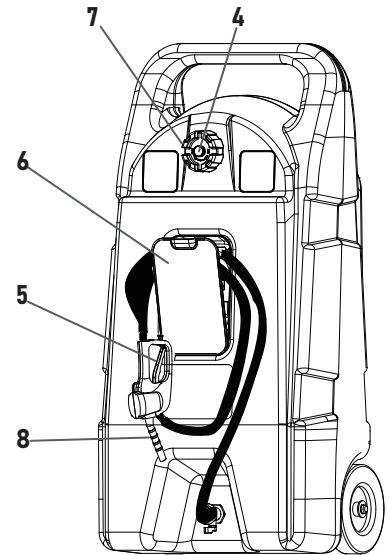
1. When lifting or unloading a refueled unit do not lift alone.
2. Always use 2 or more individuals - one at each end.
3. Make sure to place tank in a horizontal position.

### FILLING YOUR GAS WALKER 14

1. Place tank in a horizontal position.
2. Close the tank shut-off valve (2).
3. Remove fill cap (7).
4. Start pumping fuel. Be careful not to overfill.
5. Replace fill cap (7) and close vent screw (4) on top of cap.
6. Never fill inside of, or in the back of any vehicle.
7. Fill slowly to decrease chance of static electricity.
8. Never smoke or use any flammable or electrical devices, including cell phones while filling.
9. Always refer to posted warnings on station pump.

### HOSE DRAINING INSTRUCTIONS

1. Place tank in a horizontal position.
2. Close both shut-off valves (2, 3).
3. Disconnect hose assembly (1) and remove fill cap (7).
4. Insert nozzle (8) into fill neck.
5. Keep shut off valve (3) above nozzle (8).
6. Open shut off valve (3).
7. Squeeze pump handle (5) repeatedly until hose is empty.
8. Close hose shut off valve (3).
9. Replace fill cap (7).
10. Gas Walker 14 tank may not fully drain due to design.



**GASOLINE - DANGER - EXTREMELY FLAMMABLE**

**Protect against use of Gas Walker 14 around or near open flames, sparks, heaters, stoves, or other sources of heat, ignition and electrical motors. VAPORS can explode and cause a flash fire at any distance.**

- Always remove from vehicle and place fuel station on ground when filling.
- DO NOT FILL IN THE BACK OF A PICKUP TRUCK OR INSIDE VEHICLE.
- Before filling, check that the shut-off valve (2) is in the closed position.
- Close tank (2) and hose shut-off (3) valves when not in use.
- Close vent screw on fill cap when not in use.
- Check to make sure all connections are tight to avoid leakage.
- Disconnect hose assembly (1) and drain before transport.
- Use outdoors and only in a well-ventilated area.
- Do not store in a vehicle or living space and always store in a well-ventilated area.
- Keep container closed when not in use. Vapors are harmful to lungs if inhaled.
- Never smoke when using Gas Walker 14 fuel station.
- KEEP OUT OF REACH OF CHILDREN.
- Do not siphon by mouth.
- Harmful or fatal if swallowed.
- If swallowed, do not induce vomiting. Call Physician immediately.
- Not for use with racing fuel.
- Do not overfill container.
- Make sure the fuel station is tightly secured HORIZONTALLY during transport.
- Unloading refueled unit from vehicle requires 2 or more individuals.
- Do not drop or roll up and down stairs.
- If you are unaware if restricted in your area for full containers consult your local authorities before use.
- If need storage different fuel, please clean the tank before changing avoid mixing different fuels together to affect the use