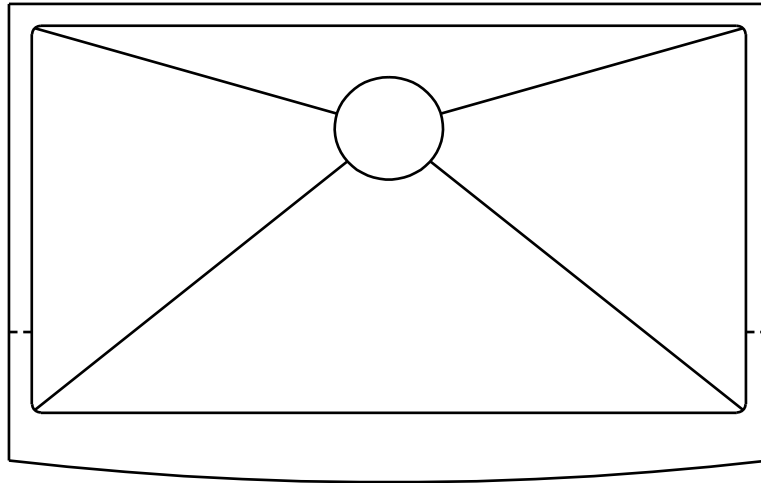


# Installation Manual



## Farmhouse Sink

RX-SS01, RX-SS02, RX-SS03, RX-SS04, RX-SS05, RX-SS06, RX-SS07,  
RX-SS08, RX-SS09, RX-SS10, RX-SS11, RX-SS12, RX-SS13

# INDEX

1. cUPC certificate ..... P01
2. Installation Guide ..... P02-P04
3. How to maintenance ..... P05-P06

Due to the weight and sharp edges of the sink, exercise caution when handling, moving or lifting the box or the sink. Use safety gloves and protective gear for eyes and ears. Get assistance when lifting or mounting the sink at any time during the installation procedure. DO NOT attempt to handle or install this product if doing so post a risk of bodily injury or you are medically unfit to carry out the installation.

# IAPMO RESEARCH AND TESTING, INC.

5001 E. Philadelphia Street, Ontario, CA 91761 • Phone (909) 472-4100 • Fax (909) 472-4244 • www.iapmort.org



## IAPMO R&T Product Listing



This IAPMO R&T Listing is current as of January 24, 2024

*File Number:*

**13670**

*Issued To:*

**ZHONGSHAN SYMBOD KITCHENWARE CO.,LTD.**

NO.26 WEIHAI RD. NANTOU TOWN ZHONGSHAN, -, GUANGDONG, CHINA

*Product:*

**Plumbing Fixtures (Stainless Steel)**

*Products are in compliance with the following code(s):*

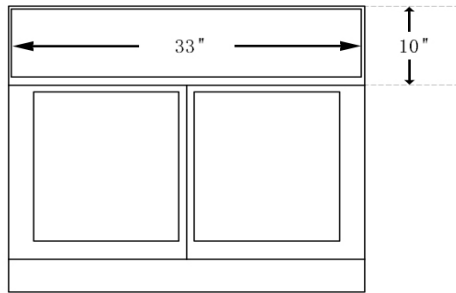
Uniform Plumbing Code (UPC®)  
National Plumbing Code of Canada  
National Standard Plumbing Code

*Products are certified to the following standard(s)*

**ASME A112.19.3/CSA B45.4-2022**

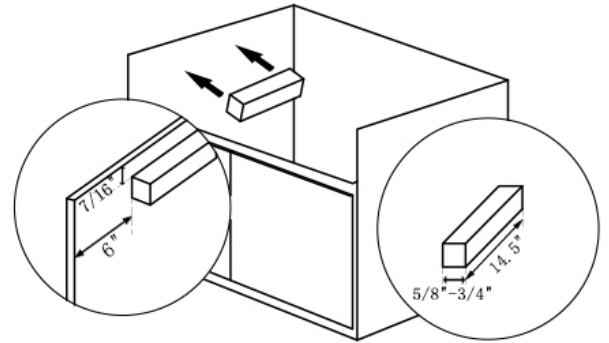
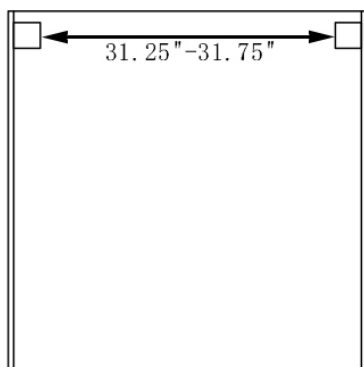
**IAPMO RESEARCH AND TESTING, INC.**

# Installation Guide



- 1** Measure the height of apron sink, cut cabinet front cutout and countertop cutout accordingly

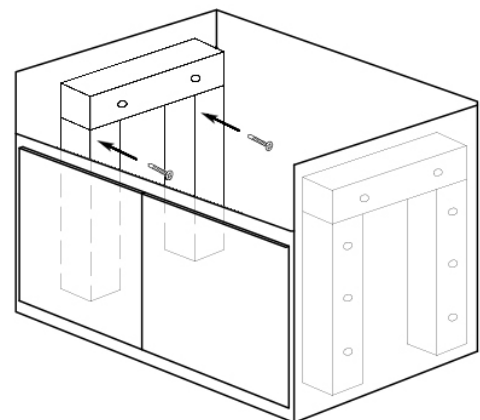
- 3** Make sure there is a proper spacing for sink before gluing and inserting screws into the wood and cabinet.



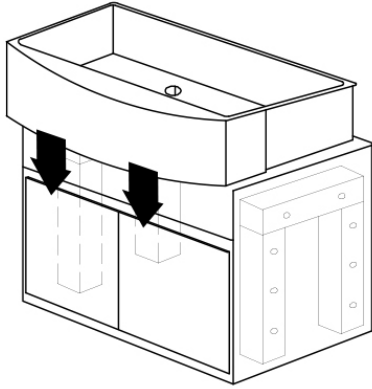
- 2** Make a proper frame under to support the farmhouse sink.

Cut two support framings to extend along the inner walls of the cabinet on each side of the base. Mark the location of the support mounting as shown to ensure that the rim of the sink will sit at framings and slightly below the top edge of the cabinet.

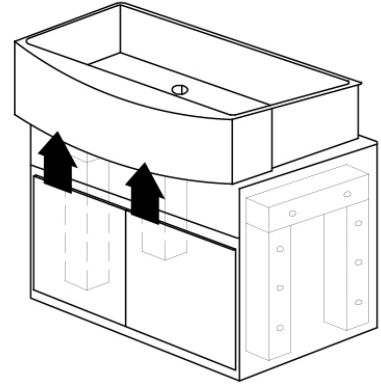
- 4** Position and fixing the supports with screws .



# Installation Guide

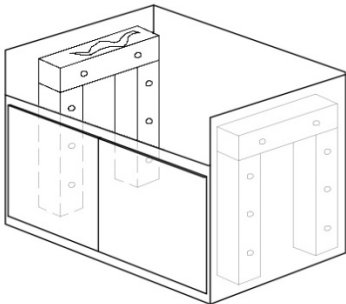


**5** Put the sink into the cabinet. Check if the sink is resting on the supports.

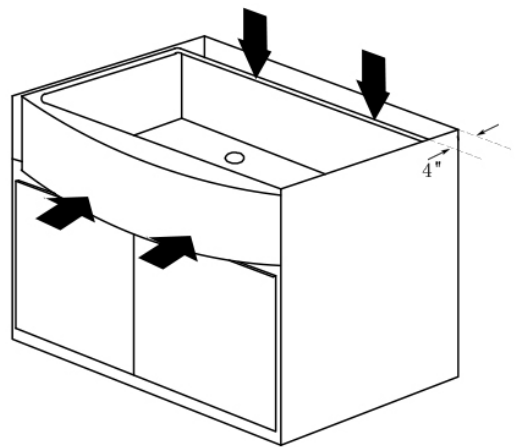


**6** Remove the sink.

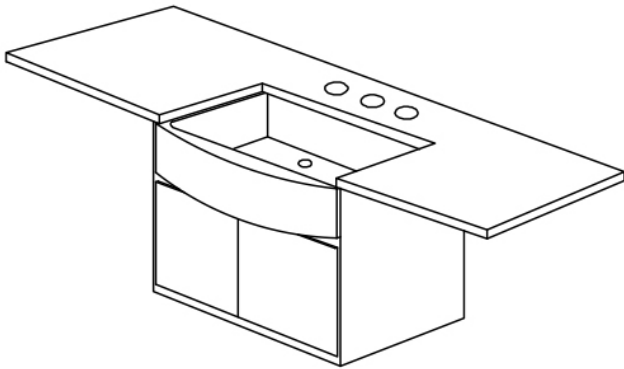
**7** Apply the silicone sealant to the top of each support.



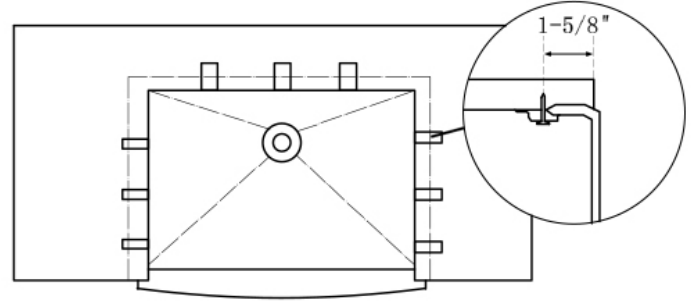
**8** Place the sink onto the support and adjust it to be in proper position. Sink should be positioned at least 4" between the back of the cabinet to allow faucet installation.



# Installation Guide



**9** Then cover the countertop on the sink.



**10** Install the secure clips to the countertop, make sure each clip engages with the rim of the sink (minimum 4 clips in back, 2 clips per side). Tighten each clips evenly.

**11** Complete countertop installation and wipe away any excess caulk from the sink rim.

- Connect drain to sink. Connect trap to drain. Connect water supply connections to faucet according to manufacturer's instructions.
- Run water into sink and check for leaks.

# MAINTENANCE INSTRUCTIONS

## 1. Why is there rust in my new kitchen sink?

---

### Reasons:

- 1.1 The rust may be caused by the welding cement, or oil residue on the sink which when not cleaned on time can lead the sink to rust.
- 1.2 Chemical cleaning agent, paint, sauces or cooking oil left in the kitchen sink after a certain period. these will create molds and the molds would stick on the surface.

### Prevention and Treatments:

- 1.1 Install the sink after everything else is done, and clean your sink right after installation.
- 1.2 Clean your sink after every use.
- 1.3 Properly remove the rust and molds using a scouring pad

## 2. What will scratch or harm the sink?

---

### Reasons:

- 1.1 Improper packaging can lead to scratch marks. The accessories may scratch the sinks during transit.
- 1.2 RAINLEX will try our best to pack the sinks well which would avoid the scratches. But the sink is easily scratched by sharp objects.

### Prevention and Treatments:

- 1.1 Minor scratch: You can use a sponge with toothpaste to polish it again and again.
- 1.2 Moderate scratch: Using a scouring pad to polish small areas.
- 1.3 Serious scratch: Purchase stainless steel polisher.

## 3. What cause the hard water stains?

---

**Reasons:** This is normal if you use the sink after a certain period of time

### Prevention and Treatments:

- 1.1. Scouring powder can easily solve the problem.
- 1.2. Clean Daily. Use a soft towel to wipe the sink with warm water. Mixing in some washer-fluid is advisable Remember wipe it dry at last.

# CAUTION

## DO

1. Clean Daily. Use a soft towel to wipe the sink with warm water. Mixing in some washer-fluid is advisable. Remember to wipe it dry.
2. Remember to rinse the sink after using any cleaning agent and wipe dry. If any mineral deposits built up on the sink, clean up it as soon as possible.
3. Properly remove the rust, molds or scratches with a scouring pad. Rubbing the sink in the direction of the grain.
4. Rub it lightly with a soft towel in the direction of grain lines.
5. Keep the sink dry after you use it. Because any standing water can cause a buildup of mineral deposit, which will become hard water stains.

## DO NOT

1. Leave water spots, utensils or steel cook-ware in the sink for a long time, which would become rust spots in your sink surface.
2. Leave cleaning agents or bleach sitting in your sink for a long period of time which may cause the sink to discolor or damage the surface.
3. Use a steel wool or scouring pad rubbing against the direction of the grain.
4. Leave rubber mats, cleaning pads or sponges in the sink for a long time as this may ruin the finish of your sink.
5. Use the inside of the sink as cutting surface.

## How to use scouring pad correctly?

1. Get a dry and clean non-scratch scrub pad
2. Scrub the rust off according to the direction of the grain.