

# RVH6140

UNDERMOUNT RAMP BATHROOM SINK

**RUVATI**<sup>®</sup>  
SPECIFICATION SHEET

## MATERIAL

- True 16 Gauge Thickness
- Premium T304 Grade Stainless Steel
- 18/10 Chromium/Nickel Content

## FEATURES

- Heavy duty sound guard padding and undercoating
- D-shaped curved bowl for perfect water drainage
- Push pop-up drain included



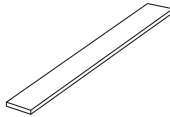
## COLOR OPTIONS

- RVH6140ST: Brushed Stainless Steel
- RVH6140BL: Gunmetal Black Stainless Steel

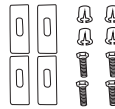
## IN THE BOX



Pop-up Drain  
[RVA5103ST/BL/GG]



Drain Covers  
[RVA11061ST/BL/GG]



Mounting Clips  
[RVA11031]



Cut-out  
Template

## NOMINAL DIMENSIONS

Exterior: 20" (wide) x 14" (front-to-back)  
Interior Bowl: 18" (wide) x 12" (front-to-back)  
Bowl Depth: 6"  
Minimum Cabinet Size: 22" wide  
Drain Hole Size: 1-3/4"

Installation Type:

Undermount

Drain Location:

Rear Center

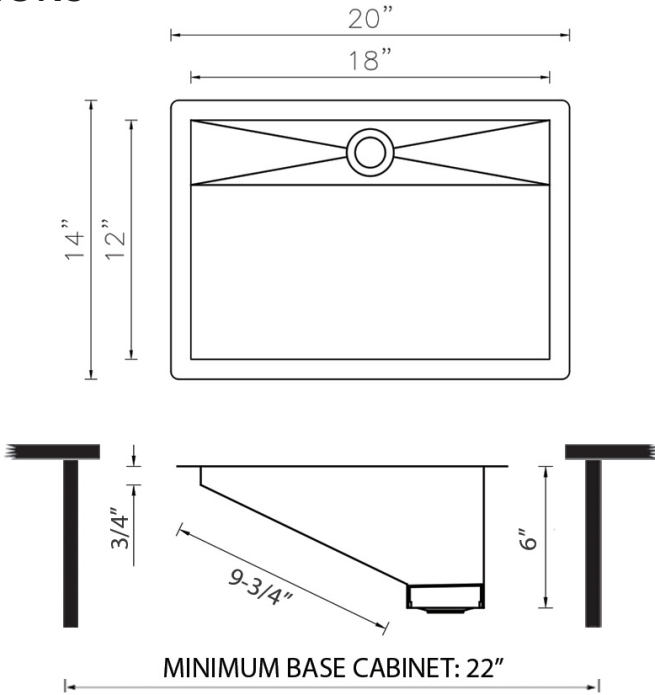
**RUVATI USA**

www.ruvati.com

Phone: 1.855.478.8284  
Email: support@ruvati.com

# OPTIONAL ACCESSORIES (SOLD SEPARATELY)

## DIMENSIONS



cUPC certified by IAPMO to meet US and Canada plumbing standards.



**SCAN TO REGISTER YOUR WARRANTY**

or visit [ruvati.com/register](http://ruvati.com/register)