

Assembly Instructions

Caution: You must read this before you proceed.

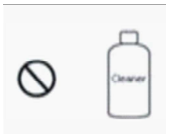
Care & Maintenance



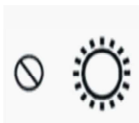
- Not for commercial use. For residential use only.



- Do not put hot items directly on furniture surface.



- Do not clean furniture with harsh cleansers or polish.



- Do not place furniture under direct sunlight.



- Do not place furniture near heating or cooling vents.



- Do not write on furniture without a padded barrier to protect the surface.



- Do not place furniture outside. For indoor use only.



- Stains may be removed with mild soap solution and damp cloth.

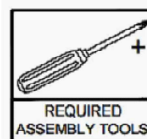
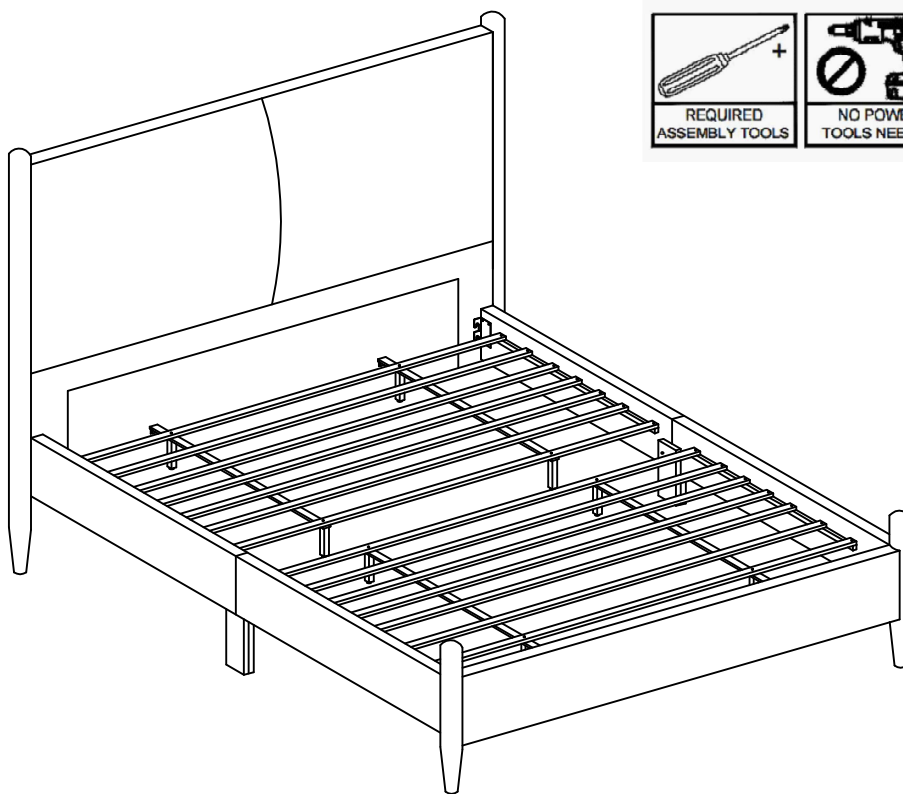


- Children should not climb or jump on the furniture.



- Dust and pick-up spills using a clean, non-colored, lint-free cloth.

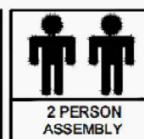
CK/EK Bed



REQUIRED
ASSEMBLY TOOLS



NO POWER
TOOLS NEEDED



2 PERSON
ASSEMBLY



WARNING

STRANGULATION HAZARD.

NEVER place bed near windows where cords from blinds or drapes may strangle a child.

NEVER suspend strings over bed.

NEVER place items with a string, cord, or ribbon, such as hood strings or pacifier cords, around a child's neck. These items may catch on bed parts.

ALWAYS follow assembly instructions.



WARNING!

Not intended for children under the age of six. INFANTS HAVE DIED FROM BECOMING ENTRAPPED IN BEDS. Openings in and between bed parts can entrap the neck and head of a small child. NEVER use bed for child under the age of six.

The mattress must be appropriately sized for the bed. If the mattress is undersized, dangerous gaps can exist and a person can become entrapped or entangled in the frame and suffocate.

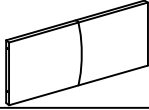
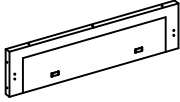
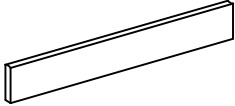
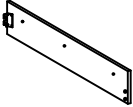
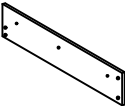
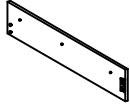
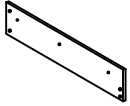


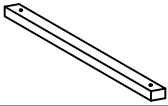
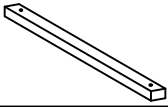


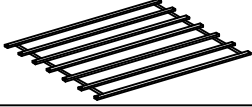
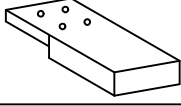
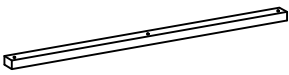
Note: This Bed is NOT a TOY.

Keep your child/ children at bay during the assembly process.

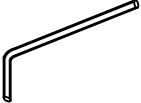
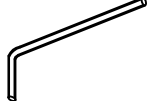
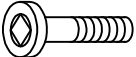

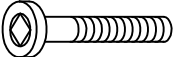








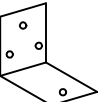
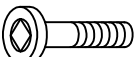
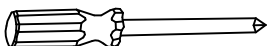
The BED is HEAVY.

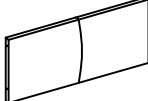
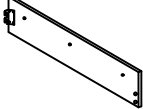
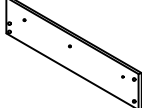
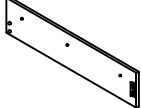
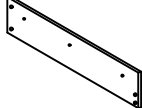



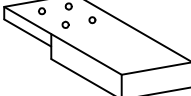
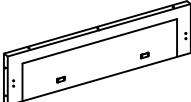

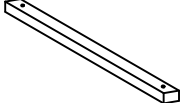
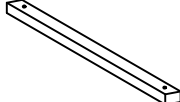



To prevent injury to yourself or damage to the product a minimum of two adults are required whenever moving or lifting it.

Part List

Label	Picture	Description	QTY
A		Headboard-A	1
B		Headboard-B	1
C		Footboard	1
D		Side Rail-D	1
E		Side Rail-E	1
F		Side Rail-F	1
G		Side Rail-G	1
H		Headboard Leg	2
I		Footboard Leg	2
J		Front Center Rail	2
K		Rear Center Rail	2
L		Support Leg	8
M		Front Slat	1
N		Back Slat	1
O		Side Rail Leg	2
P		Side Rail Support Wood	4

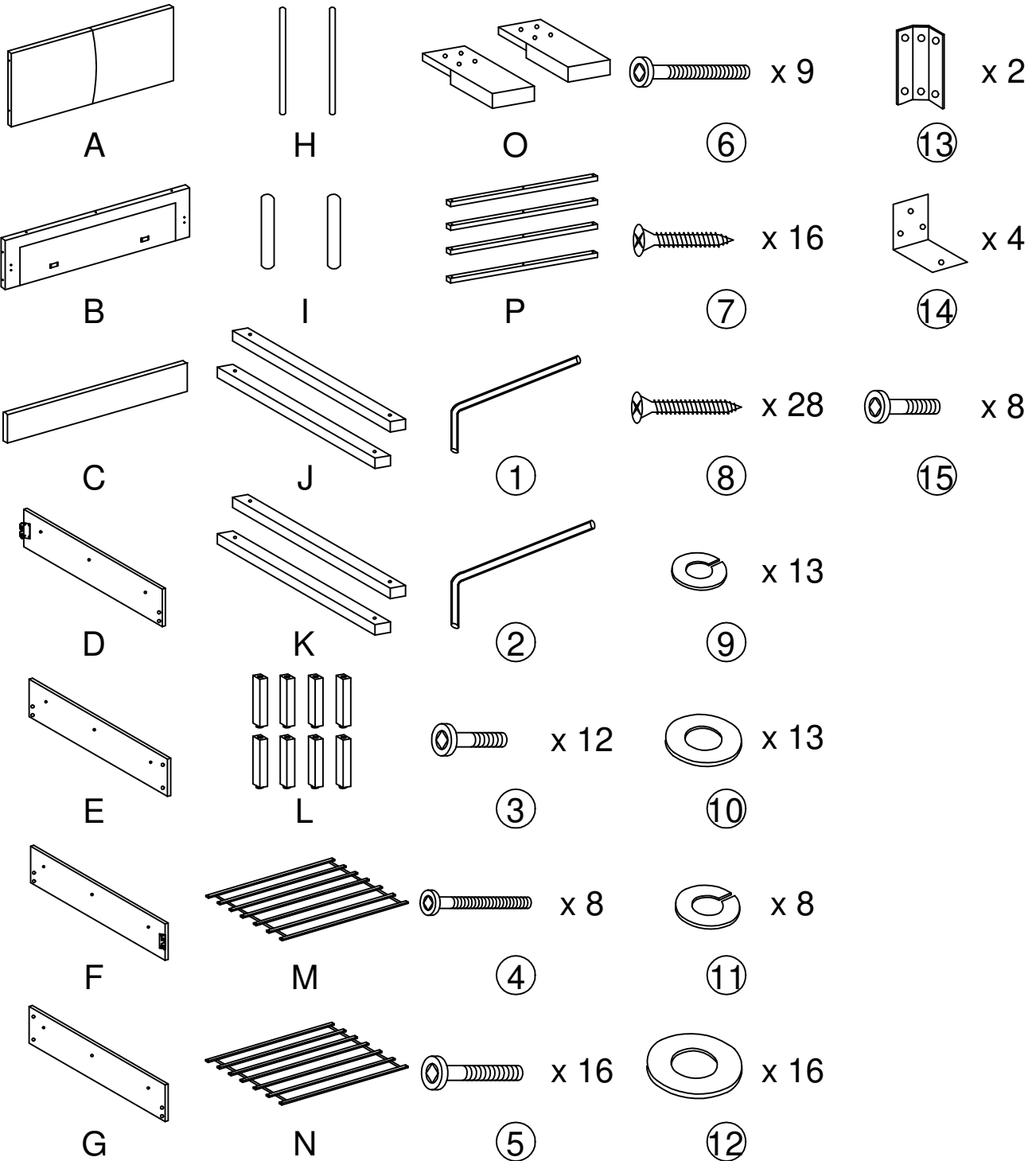
Hardware

Label	Picture	Description	QTY
①		Allen Wrench 65mm	1
②		Allen Wrench 70mm	1
③		Bolt M8 x 20mm	12
④		Bolt M8 x 60mm	8
⑤		Bolt M6 x 30mm	16
⑥		Bolt M6 x 50mm	9
⑦		CSK Screw 16mm	16
⑧		CSK Screw 32mm	28
⑨		M6 Spring Washer	13
⑩		M6 Flat Washer	13
⑪		M8 Spring Washer	8
⑫		M8 Flat Washer	16
⑬		Footboard Bracket	2
⑭		L-bracket	4
⑮		Bolt M8 x 30mm	8
⑯		Screwdriver (Not provided)	1

Carton	Name	No	Part
<p style="text-align: center;">1</p> <p>(N758P306702N/ N758P306704N)</p>	Headboard-A	A	
	Side Rail-D	D	
	Side Rail-E	E	
	Side Rail-F	F	
	Side Rail-G	G	
	Headboard Leg	H	
	Footboard Leg	I	
	Support Leg	L	
	Side Rail Leg	O	
<p style="text-align: center;">2</p> <p>(N758P306703N/ N758P306705N)</p>	Headboard-B	B	
	Footboard	C	
	Front Center Rail	J	
	Back Center Rail	K	
	Front Slat	M	
	Back Slat	N	
	Side Rail Support Wood	P	

Assembly Preparation

Before Beginning Assembly:



- Read instructions, cover to cover.



- Have 2 adults on hand for assembly.



- Do not assemble on flooring or carpet.



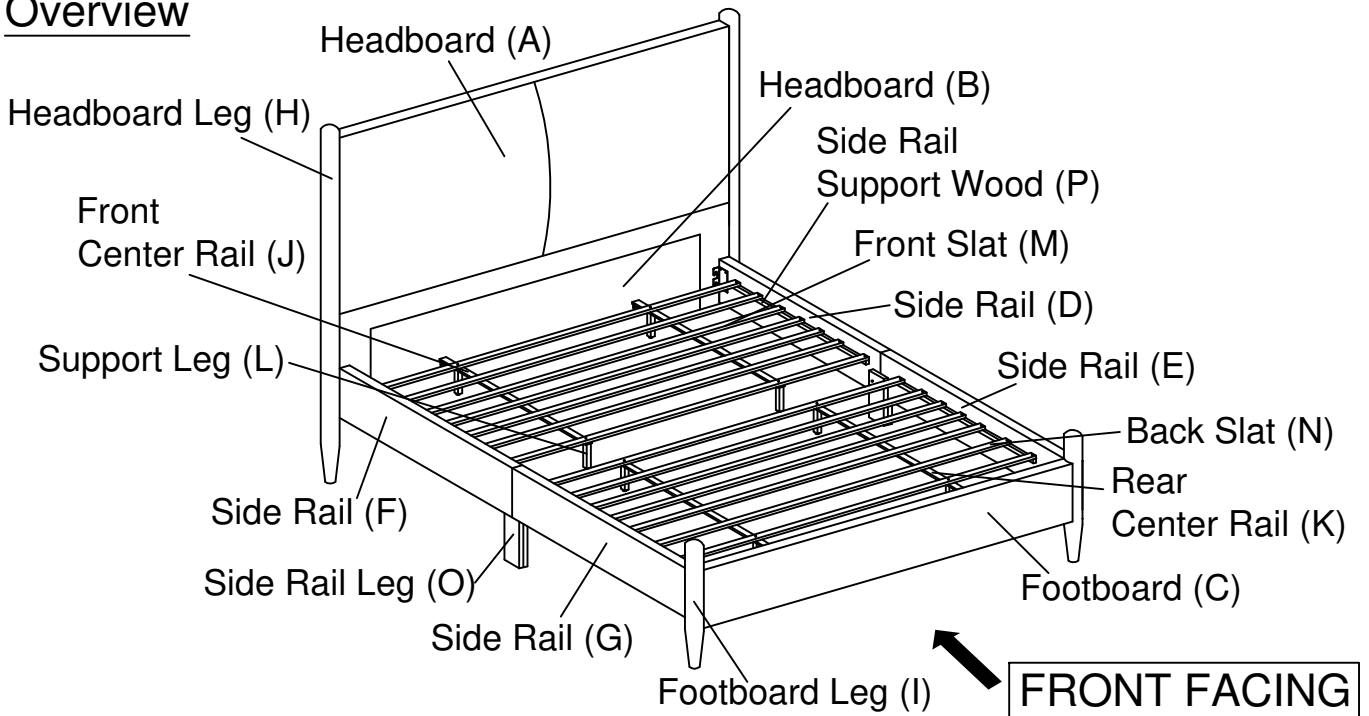
- Assemble on a clean non-marring surface (packing foam).



- Save all packaging until finished.

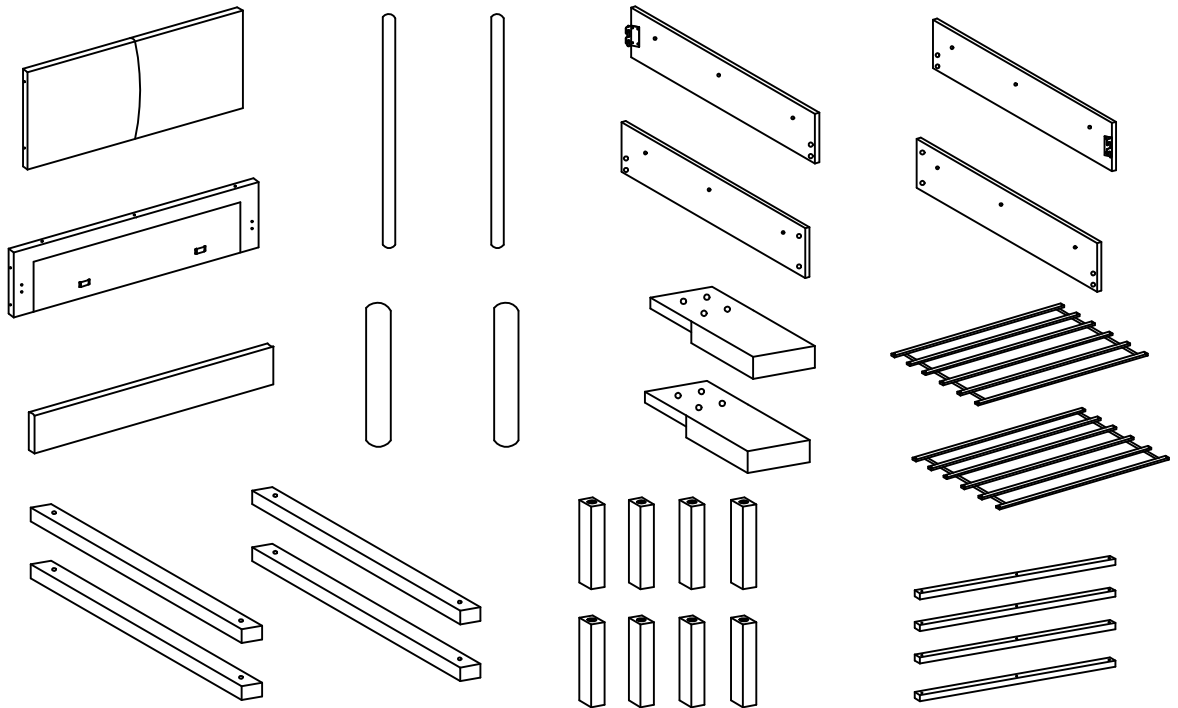
Assembly Steps

Overview



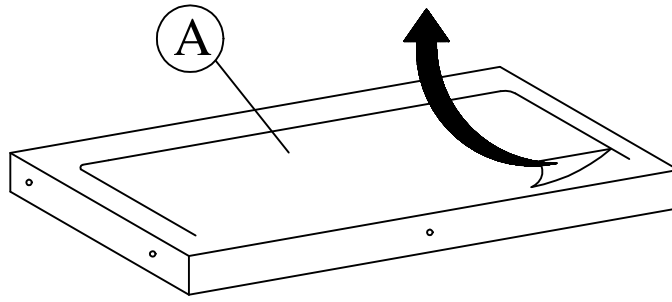
This Bed has multiple parts and may require up to 45 minutes to assemble. To give you an overview of the Bed parts, the above picture is provided to help you put the various parts into perspective. Please read through the instructions below to familiarise yourself with the parts and steps before assembly.

Step 1

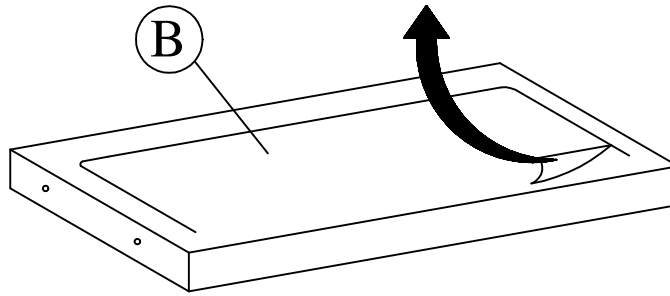


Unpack and place all parts on a clean, non-marring surface.

Step 2

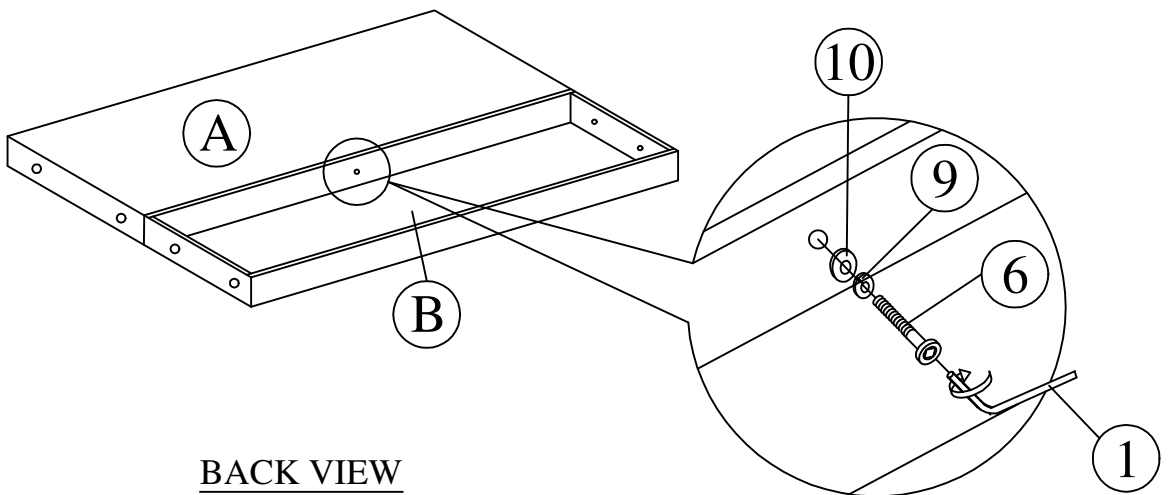


BACK VIEW



Unzip the black non-woven fabric to take out all the part before start assemble.

Step 3

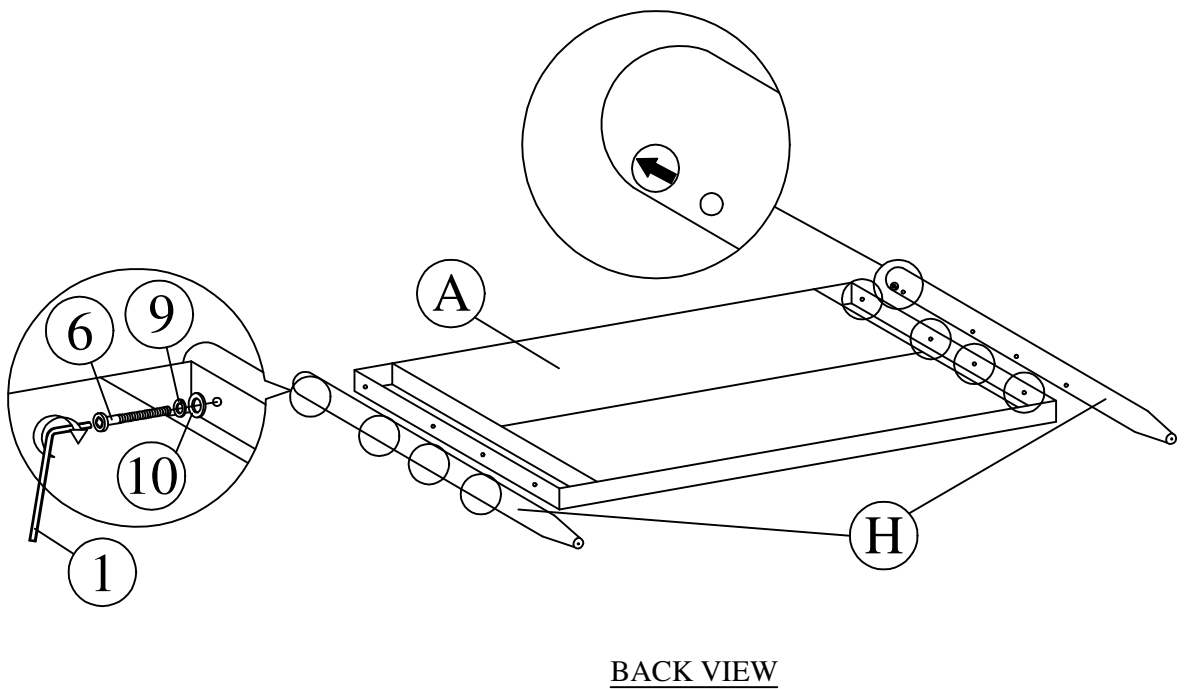


BACK VIEW

Attach the headboard (A) to headboard (B) by using Bolt (6), Spring Washer (9), Flat Washer (10) with Allen Wrench (1).

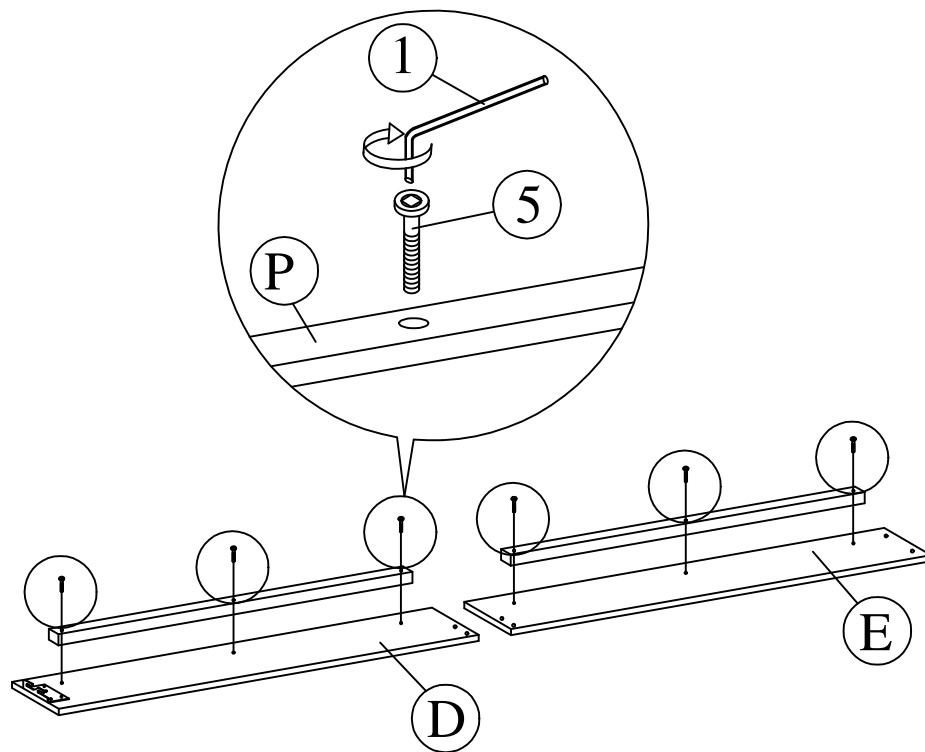
FULLY TIGHTEN THE BOLTS.

Step 4



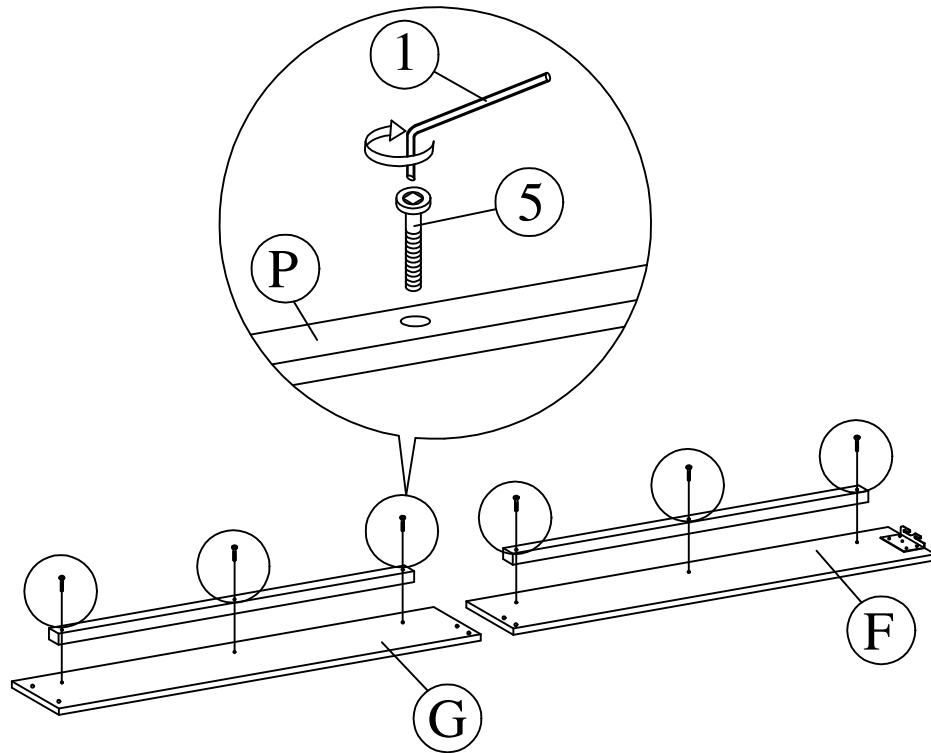
Attach the headboard legs (H) to headboard (A) by using Bolt (6), Spring Washer (9), Flat Washer (10) with Allen Wrench (1). Tighten the legs.
FULLY TIGHTEN THE BOLTS.

Step 5



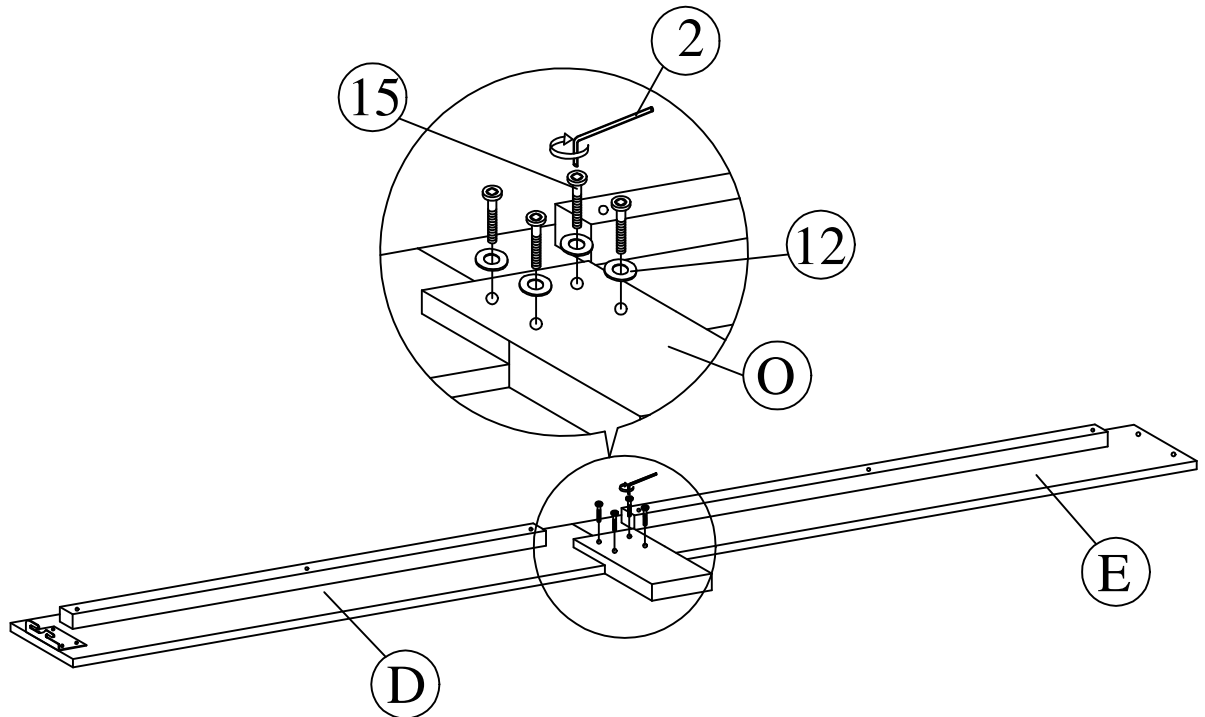
Attach the side rail support wood (P) to the side rail (D/E) by using Bolt (5) with Allen Wrench (1).
FULLY TIGHTEN THE BOLTS.

Step 6



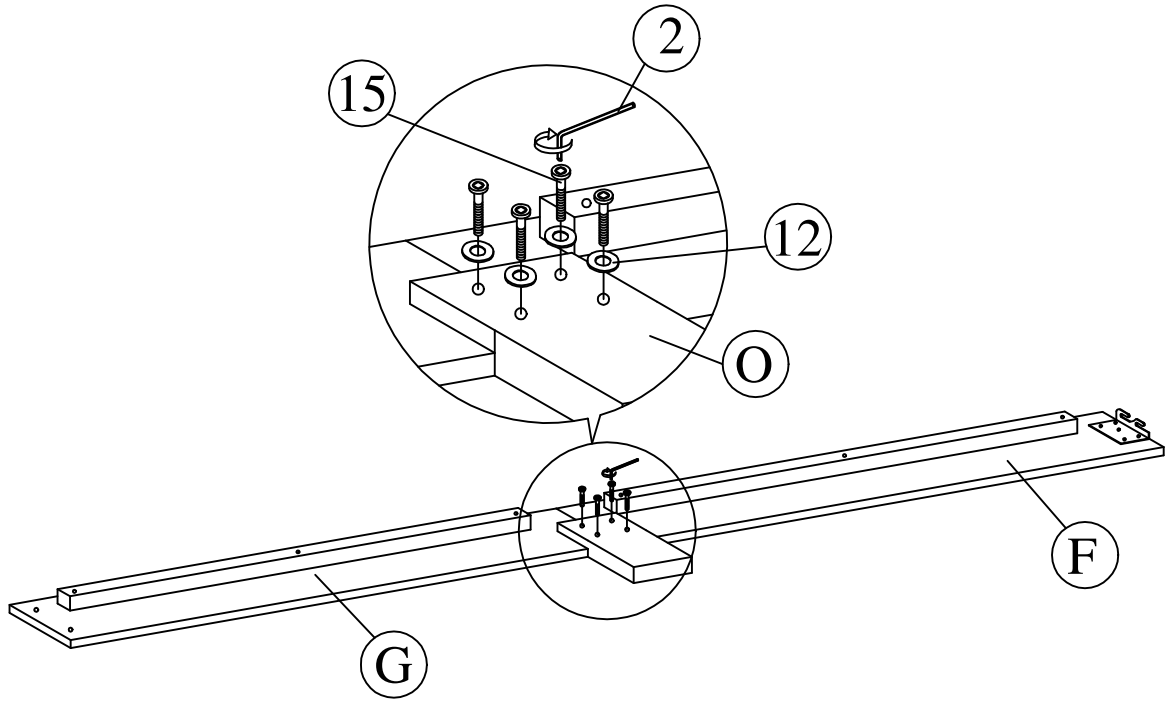
Attach the side rail support wood (P) to the side rail (F/G) by using Bolt (5) with Allen Wrench (1).
FULLY TIGHTEN THE BOLTS.

Step 7



Attach the side rail leg (O) to the side rail (D/E) by using Bolt (15), Flat Washer (12) with Allen Wrench (2).
FULLY TIGHTEN THE BOLTS.

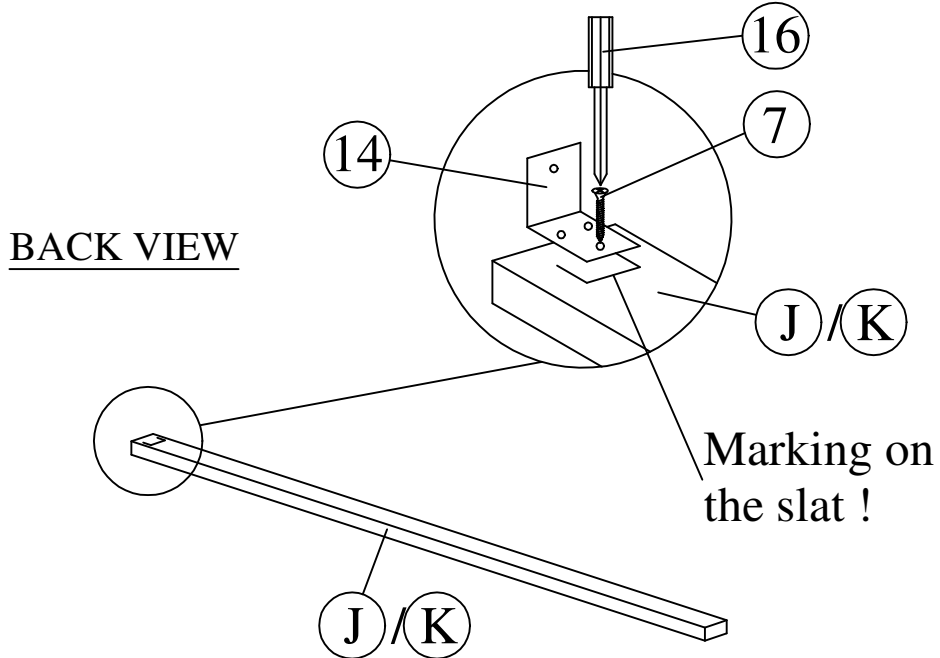
Step 8



Attach the side rail leg (O) to the side rail (F/G) by using Bolt (15), Flat Washer (12) with Allen Wrench (2).

FULLY TIGHTEN THE BOLTS.

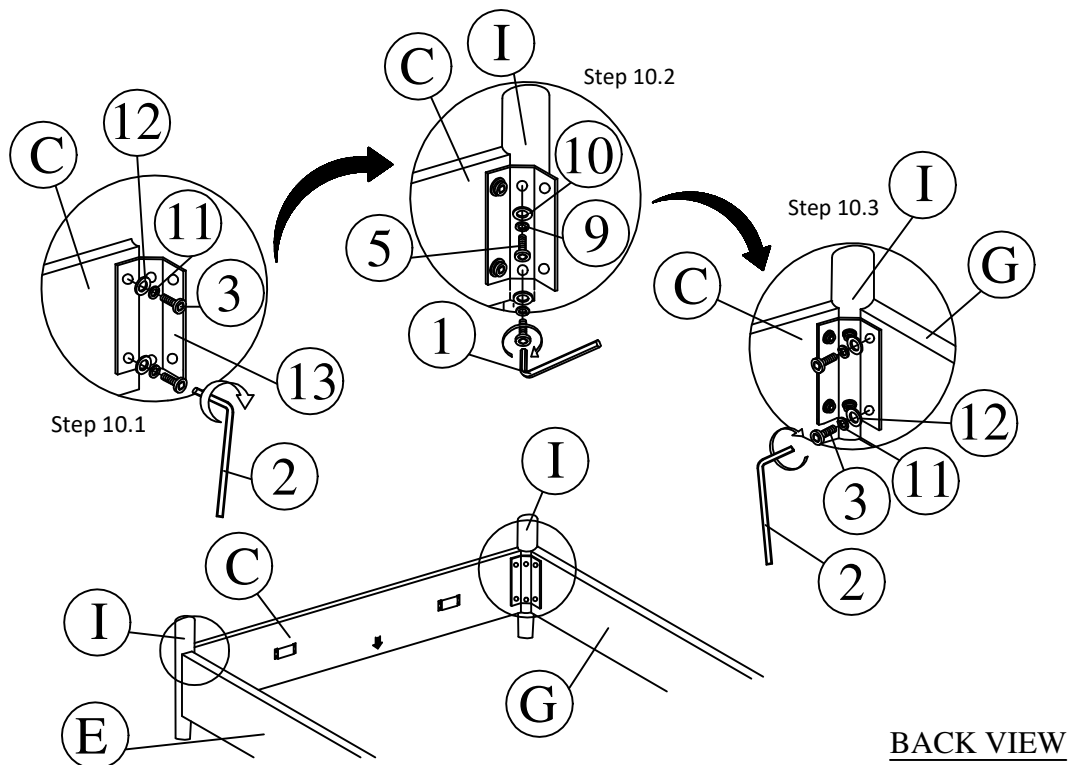
Step 9



X4

Attach the L-bracket (14) to the Center Rail (J/K) by using L-bracket (14), CSK Screw (7) with screwdriver (not provided) (16).

Step 10



Attach Footboard legs (I) to the footboard (C) and assembled side rails (E/G) in three steps.

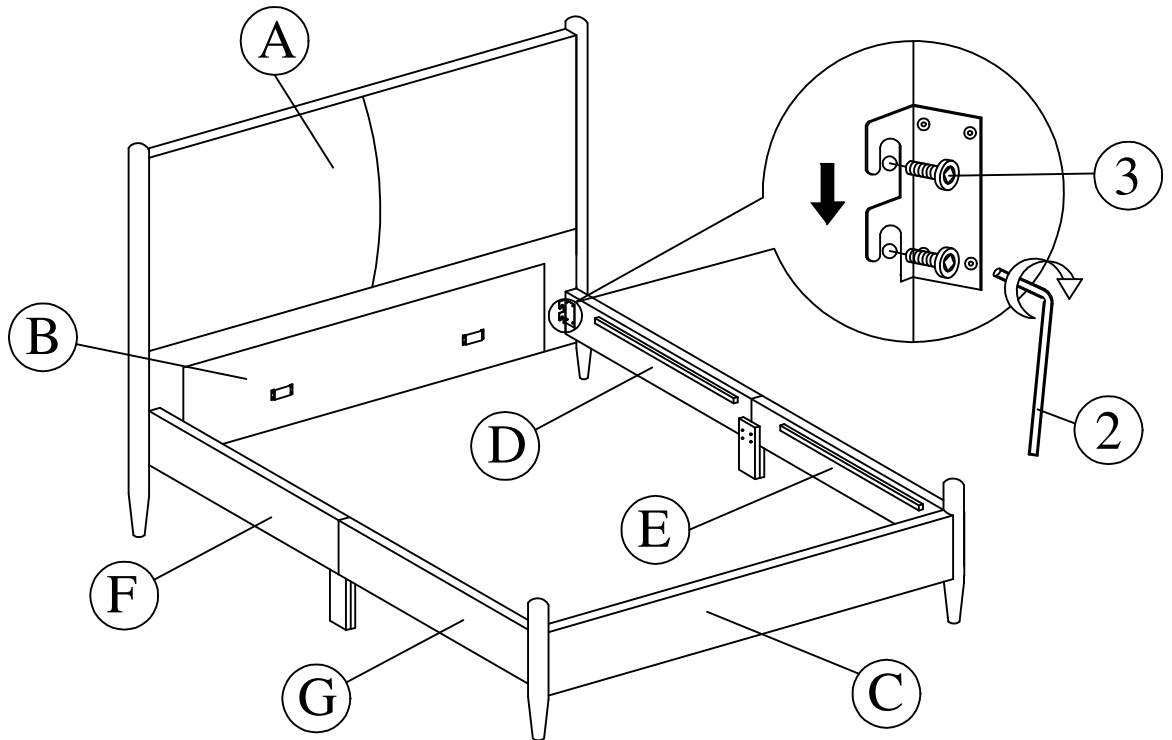
10.1: Attach the left part of footboard bracket (13) to the footboard (C) by using Spring Washer (11), Flat Washer (12), Bolt (3) with Allen Wrench (2).

10.2: Attach the middle part of footboard bracket (13) to the footboard legs (I) by using Spring Washer (9), Flat Washer (10), Bolt (5) with Allen Wrench (1).

10.3: Attach the right part of footboard bracket (13) to the assembled side rails (E/G) by using Spring Washer (11), Flat Washer (12), Bolt (3) with Allen Wrench (2).

DO NOT FULLY TIGHTEN THE BOLTS.

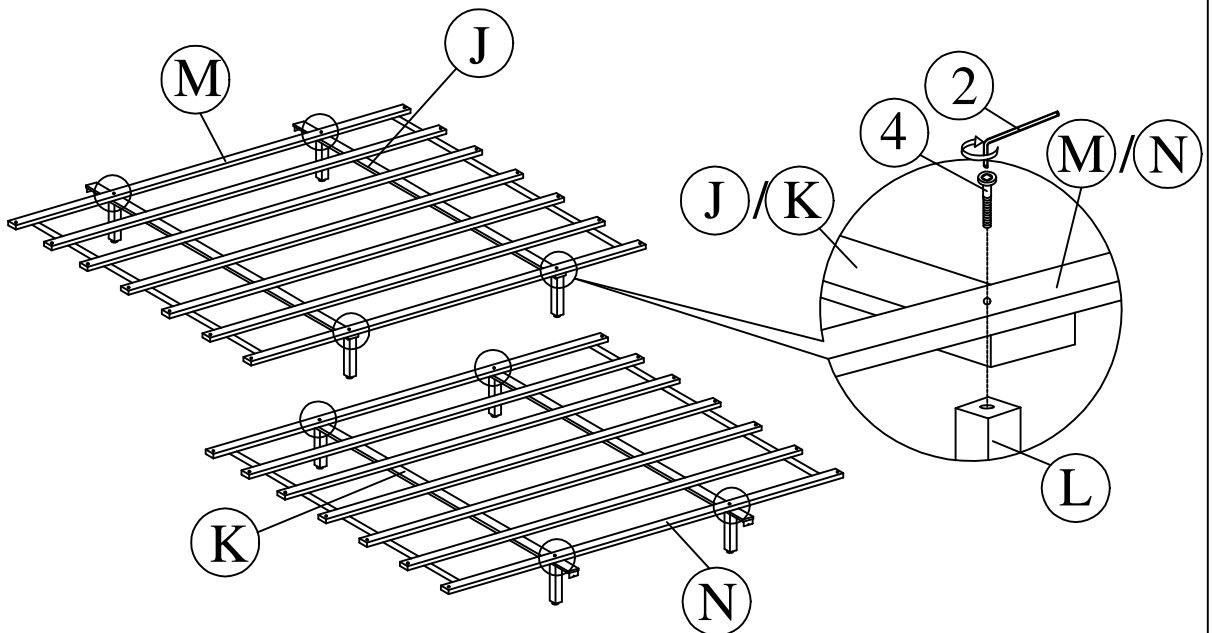
Step 11



With the help of another adult, attach side rail (D/F) to headboard (B) by using Bolt (3) with Allen Wrench (2).

DO NOT FULLY TIGHTEN THE BOLTS.

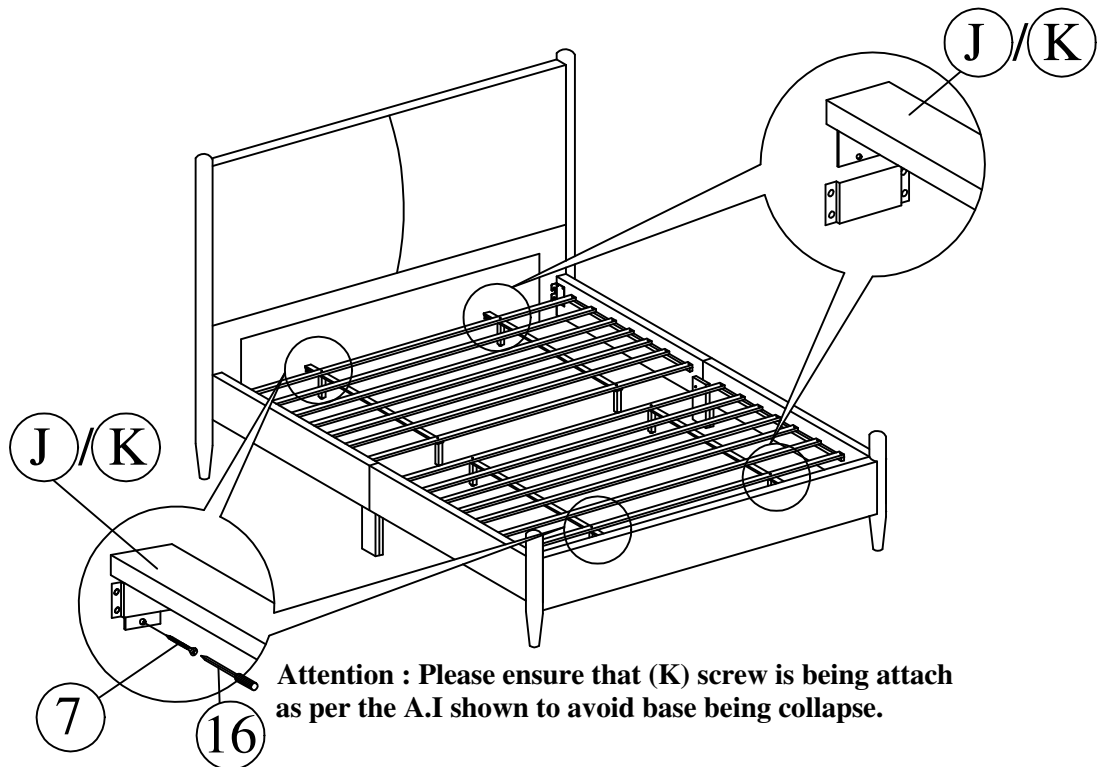
Step 12



Attach the support legs (L) to the center rail (J/K) and slats (M/N) by using Bolt (4) with Allen Wrench (2).

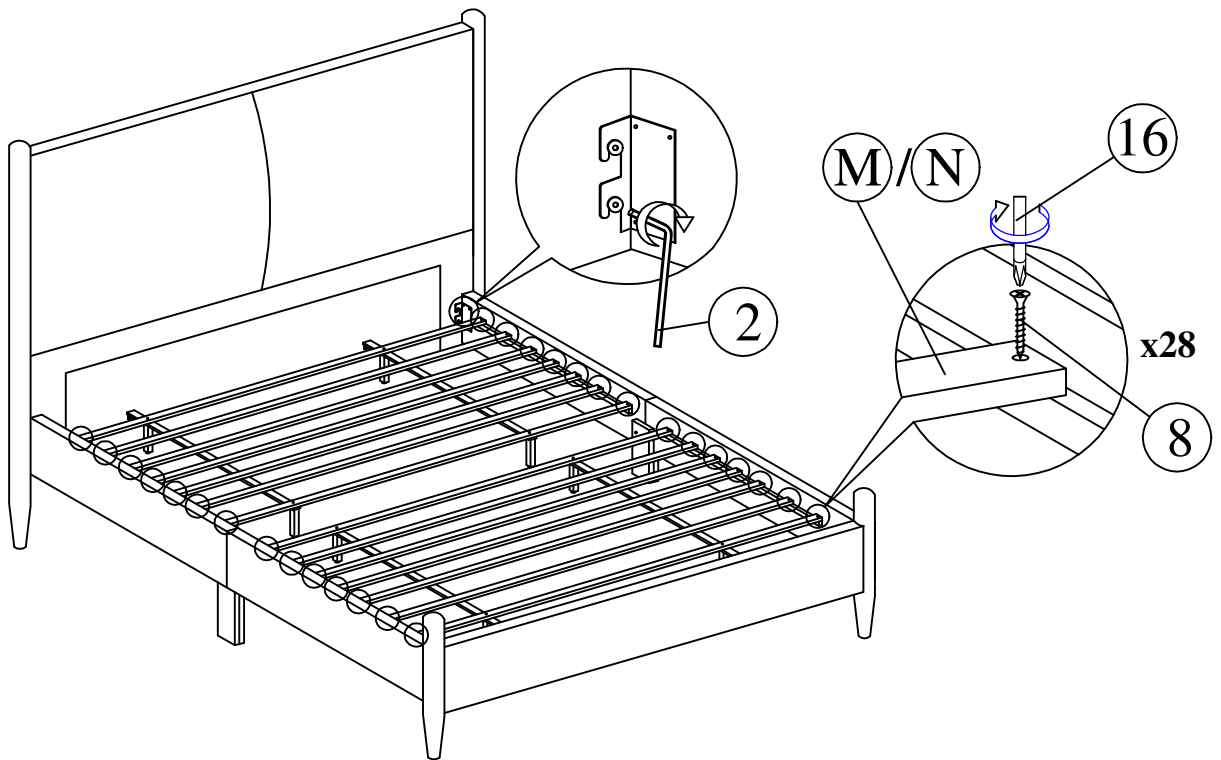
FULLY TIGHTEN THE BOLTS.

Step 13



Attach the center rail (J/K) to the headboard (B) and footboard (C) by using screws (7) with screwdriver (not provided) (16) .

Step 14



Tighten the 4 Corner with Allen Wrench (2). Tighten the bed slats (M/N) to side rail support wood (P) by using screw (8) with screwdriver (not provided) (16).

Turn the Bed right side up.

Place the Bed on a **LEVEL SURFACE**.

Inspect it and make sure all parts are adequately connected.

Don't push too hard, shake on the bed.

This would help to align all the parts at all the joint areas.

CAUTION 1: When tightening these screws, tighten sequentially.

DO NOT tighten any screw fully and then towards the next one.

This would cause the frame to warp.

If there is still wobbles, loosen the screws and execute this same process. **DO NOT** tighten any screw fully and then towards the next one.

WARNING!! IF BED IS NOT STABLE , IT COULD LEAD TO DAMAGING THE PRODUCT.

Ensure all screws are fully locked into position.

The bed is ready to be used.

Caution 2: This bed can only be used on a flat, level surface.