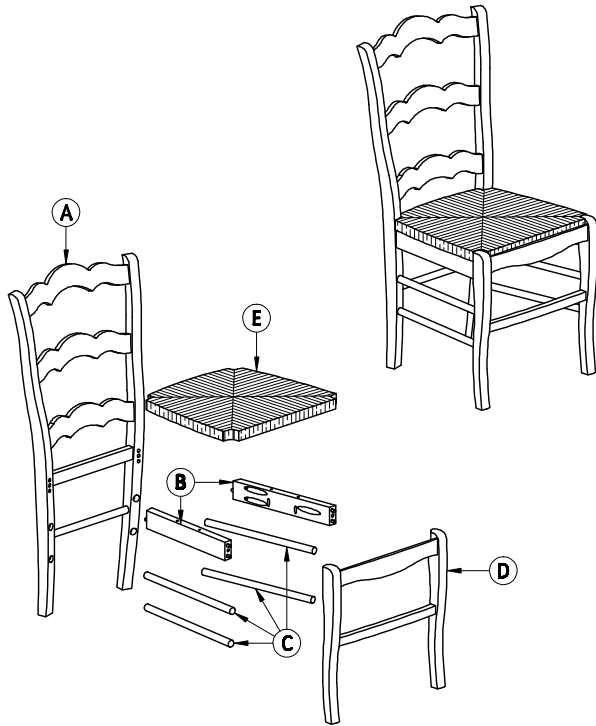




CAROLINA CHAIR & TABLE COMPANY

Thank you for purchasing a Carolina Chair & Table Company product. This product has been designed for easy assembly and is constructed for durability. Please take this time to read and follow the assembly instructions carefully. If a part or hardware is missing or you have any difficulties in assembling this product, please contact us Toll-Free at 1-800-228-3876.

ASSEMBLY INSTRUCTIONS CHAIR #375



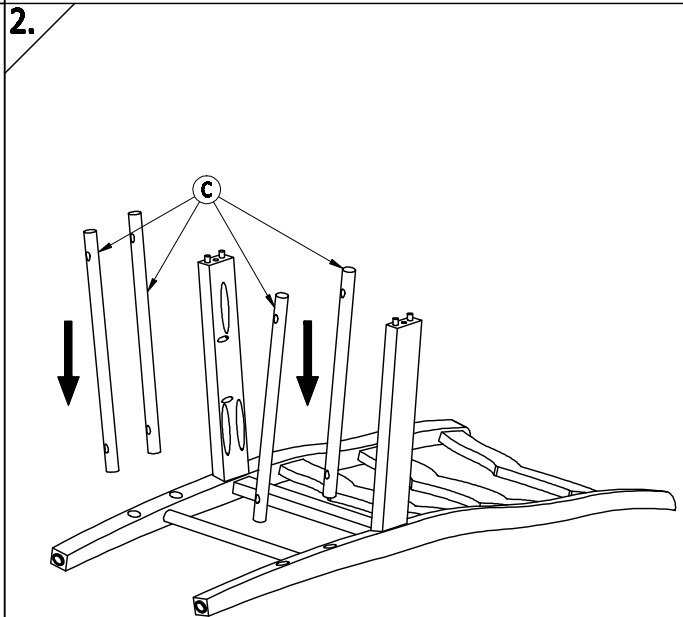
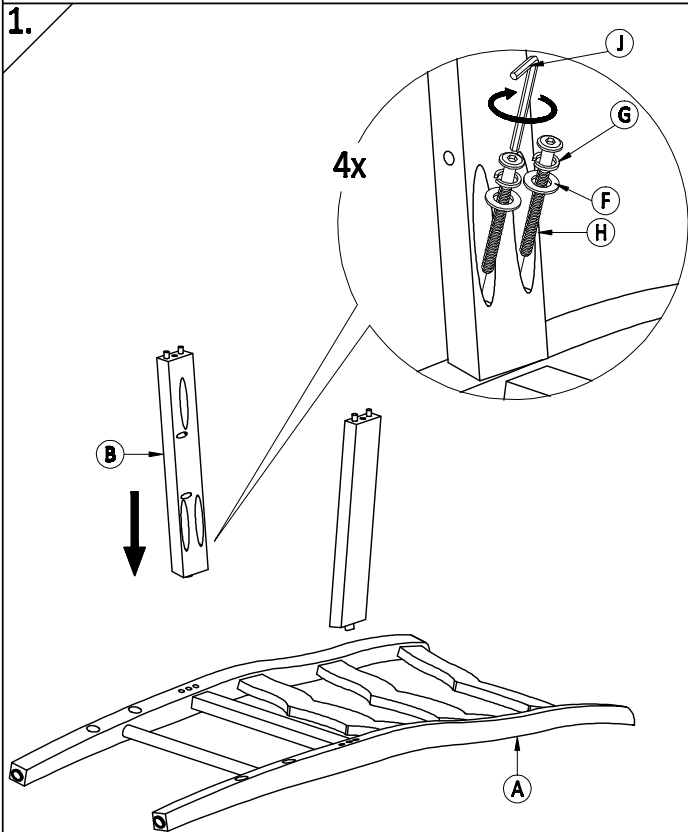
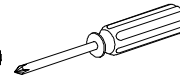
PARTS CHECK LIST

CODE	COMPONENTS	Q'TY
(A)	BACK FRAME	01
(B)	SIDE RAIL	02
(C)	SUPPORT BAR	04
(D)	FRONT FRAME	01
(E)	WICKER SEAT	01

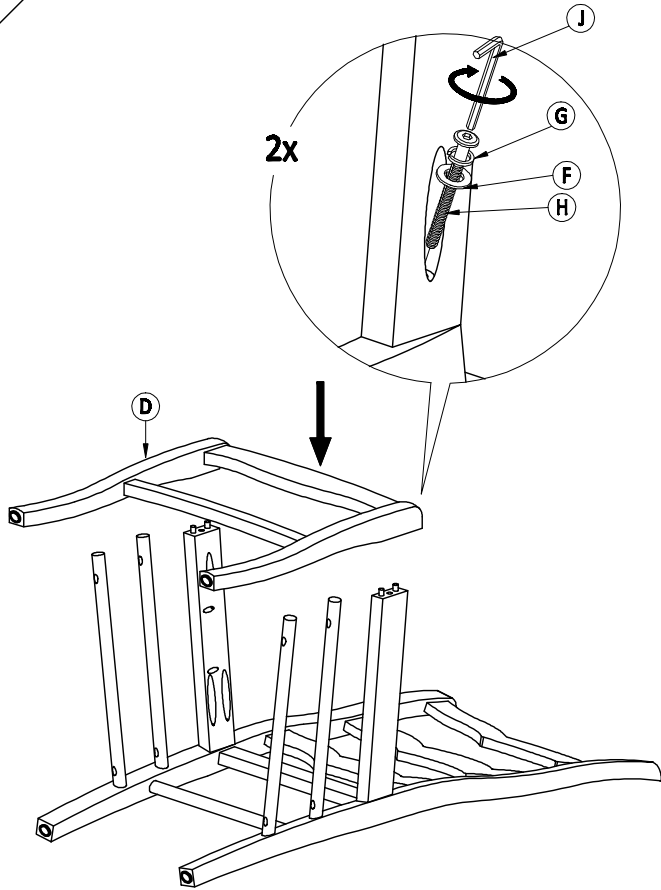
FITTINGS CHECK LIST

CODE	DESCRIPTION	Q'TY
(F)	FLAT WASHER	06
(G)	LOCK WASHER	06
(H)	ALLEN BOLT	06
(I)	SCREW	12
(J)	ALLEN KEY	01

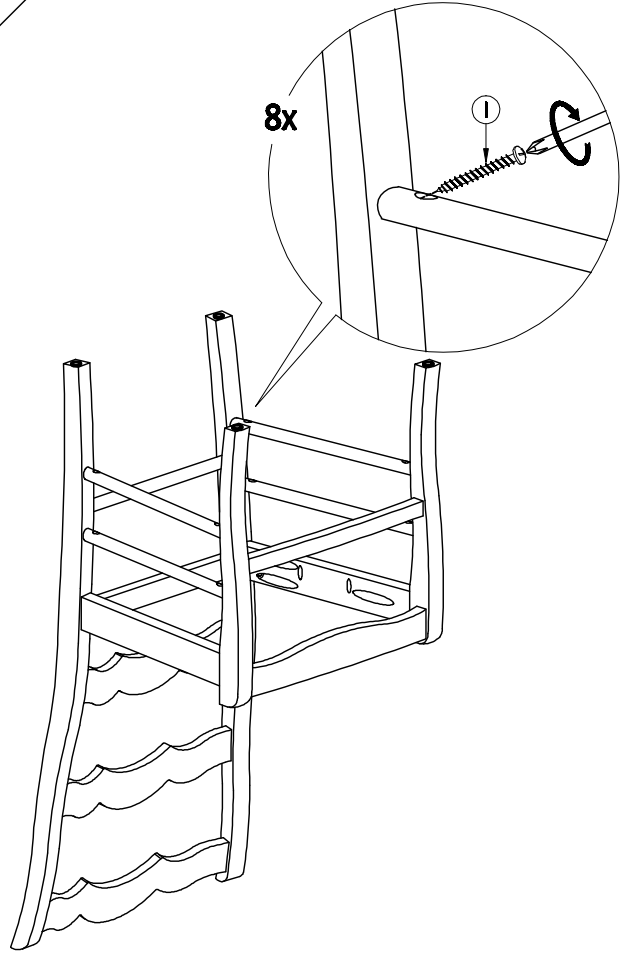
PHILLIPS HEAD SCREWDRIVER
TOOL NEEDED (NOT INCLUDED)



3.



4.



5.

