



Devonshire® | K-10570

One-light sconce

Features

- Frosted-glass shade
- Sconce can be positioned up or down, depending on room setting
- Coordinates with other products in the Devonshire collection
- Includes installation hardware
- Suitable for damp locations, per UL 1598
- Fixture is dimmable when paired with dimmer switch and compatible bulbs



Available Colors/Finishes

Color tiles intended for reference only.

- BRZ Oil-Rubbed Bronze
- BNL Brushed Nickel
- CPL Polished Chrome
- BLL Matte Black
- BVL Brushed Bronze
- 2GL Brushed Moderne Brass
- BML Black with Brass Trim



1-800-4KOHLER (1-800-456-4537)
Kohler Co. reserves the right to make revisions without notice to product specifications.
For the most current specification sheet, go to www.kohler.com USA or www.kohler.ca Canada.
3-27-2026 19:5 - US-CA

THE BOLD LOOK
OF **KOHLER**®

Codes/Standards

UL 1598
CSA C22.2 No. 250.0
cETL Listed
ETL Listed

Technical Information

All product dimensions are nominal.

Number of Lights:	1
Lighting Type:	Socket-based
Number of Shades:	1
Hanging Type:	Non-hanging

Material

- Premium metal construction for durability and reliability
 - KOHLER finishes resist corrosion and tarnishing
-

Recommended Products/Accessories

K-CB-CLR1620FS 16" W x 20" H aluminum single-door medicine cabinet with mirrored door, beveled edges

Required Electrical Service

One circuit required.

0.5 A

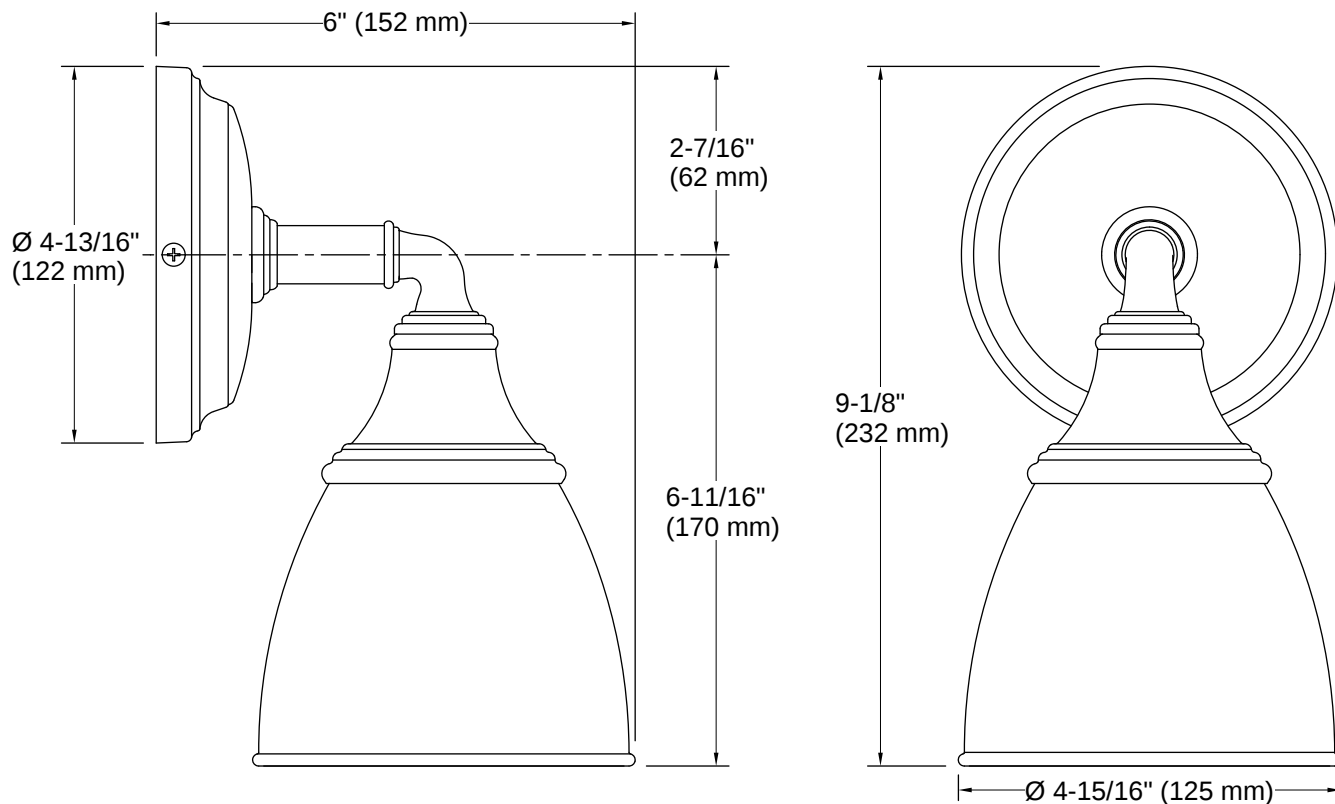
Warranty

See website for detailed warranty information.

KOHLER® Faucet Lifetime Limited Warranty



1-800-4KOHLER (1-800-456-4537)
Kohler Co. reserves the right to make revisions without notice to product specifications.
For the most current specification sheet, go to www.kohler.com USA or www.kohler.ca Canada.
3-27-2026 19:5 - US-CA



Installation Notes

Install this product according to the installation instructions.

