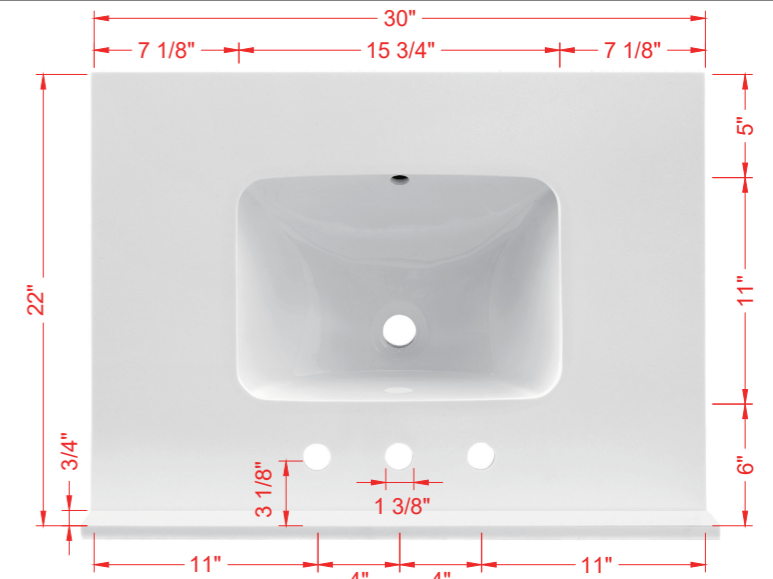
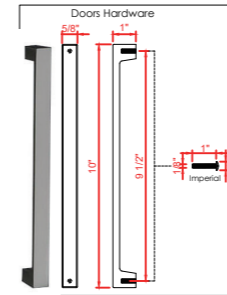
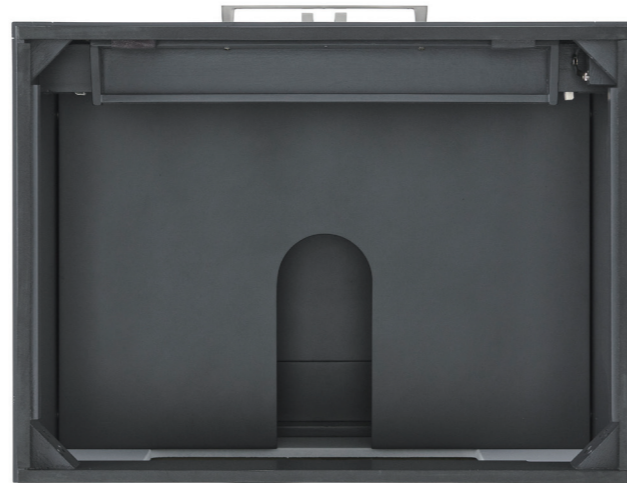
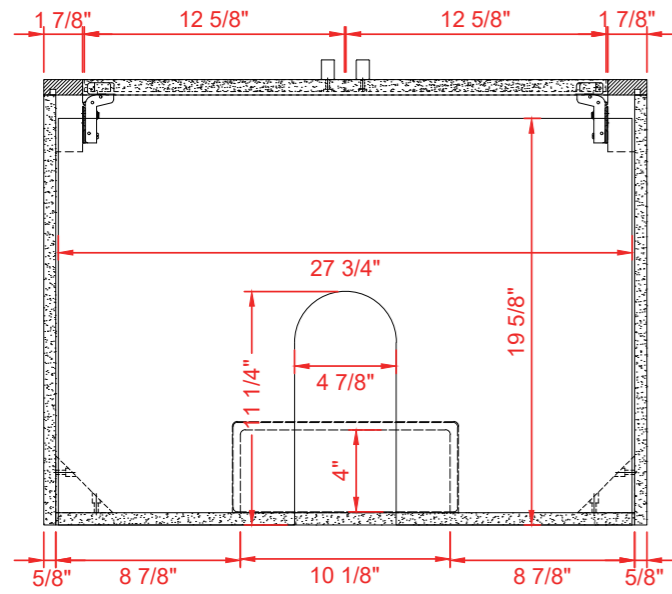


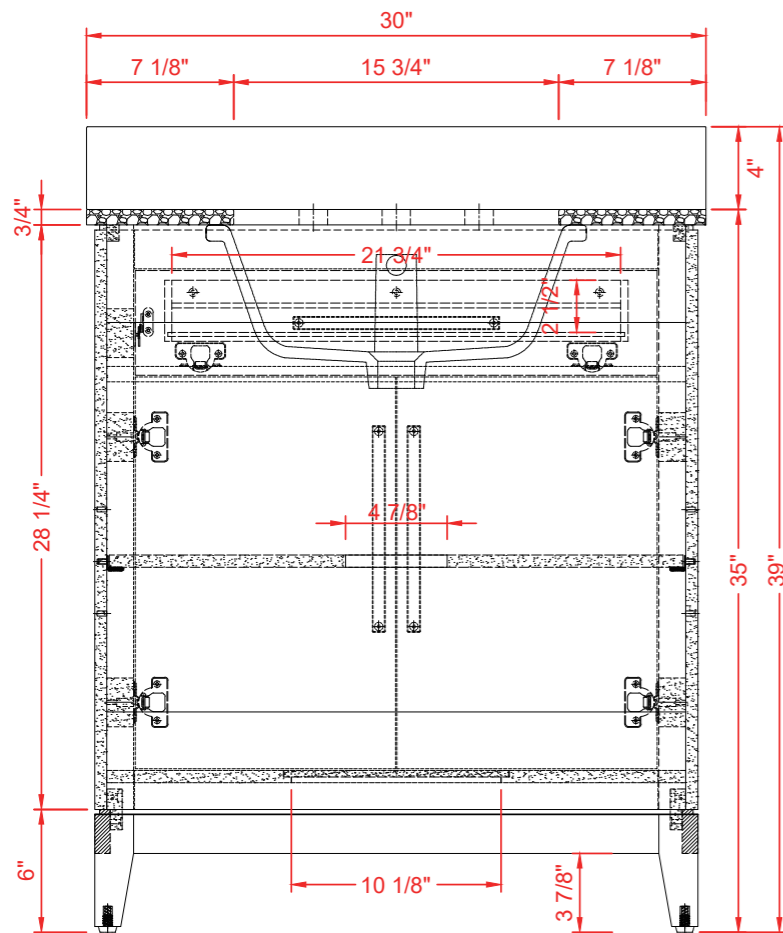
INSTALLERS DIAGRAM

MODEL NUMBER:1652VA-30-200

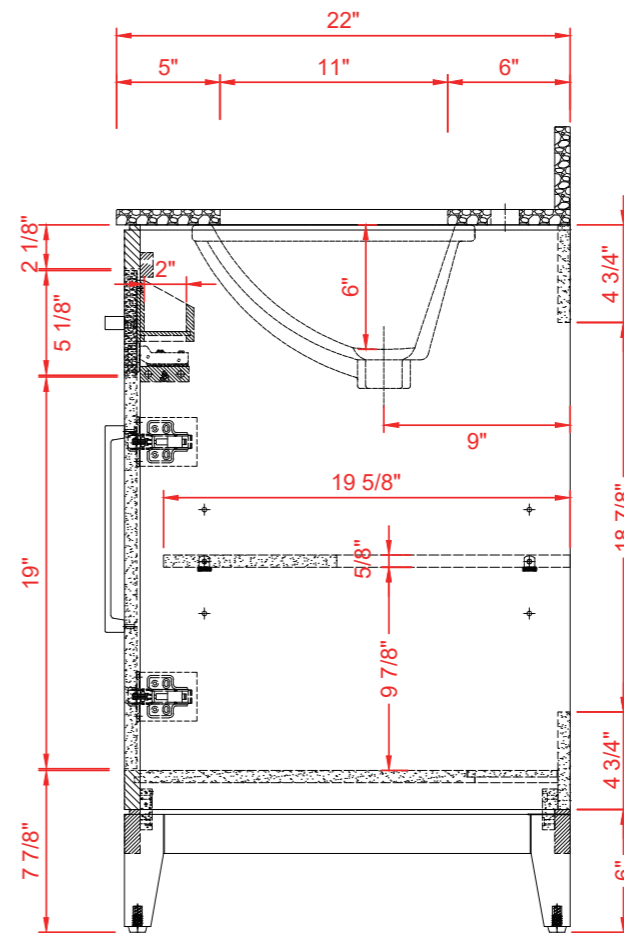


TOP VIEW

Cabinet Weight : 76.3bs.
Top weight w/BS :40.7lbs.
Product Net weight :117lbs.
Product packed Gross weight :149lbs.
Packed product Dimensions:
33.25 in. W x 25.25 in. D x 39.25 in. H



FRONT VIEW



SIDE VIEW

