

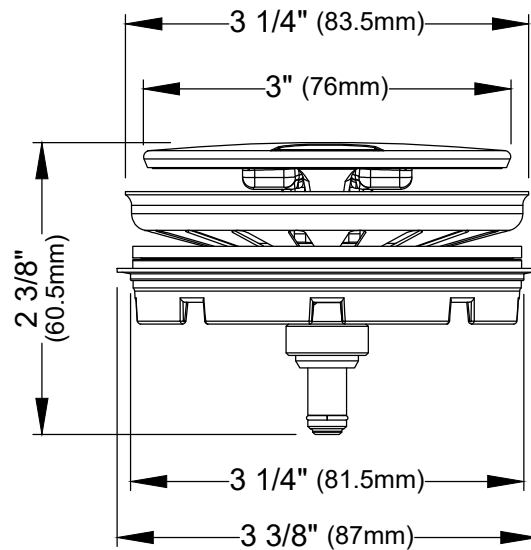
Designed to Fit	Standard 3 1/2" garbage disposal metal collars
Material	Stainless Steel and ABS Plastic
Finish	Corrosion resistant
Overall Height	2 3/8"
Length	3 3/8"
Width	3 3/8"



Stocked Color Options



Stainless Steel



Limited 1 year warranty

We reserve the right to update product specifications without notice. Please visit karran.com for the most current specification sheets. All dimensions are accurate to 1/4". REV 11-2025