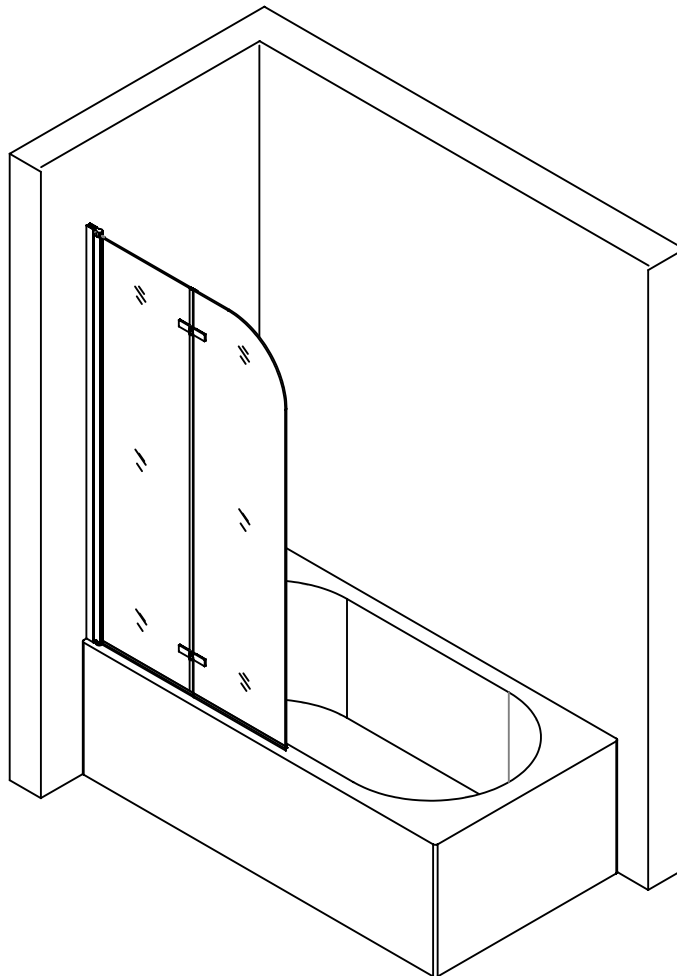


# **Shower Door Installation Guide**

## **DS02-2**



**Plz do not just return when meeting difficulties in installation, just contact your seller for help.**

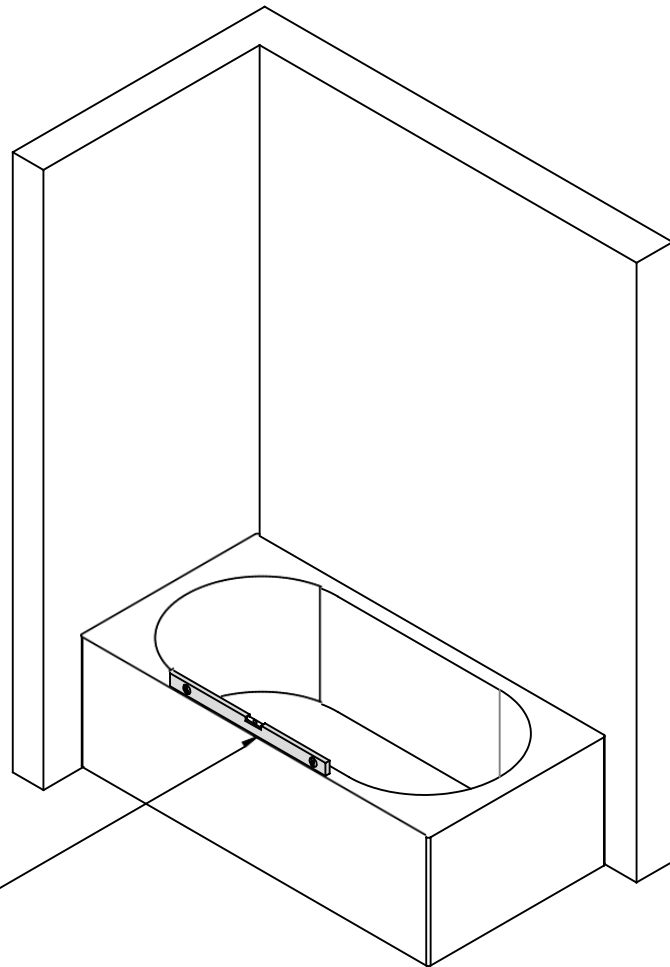
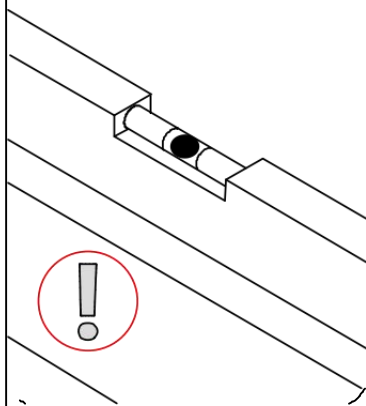
## Model Specific Preparation



**REQUIRED:**

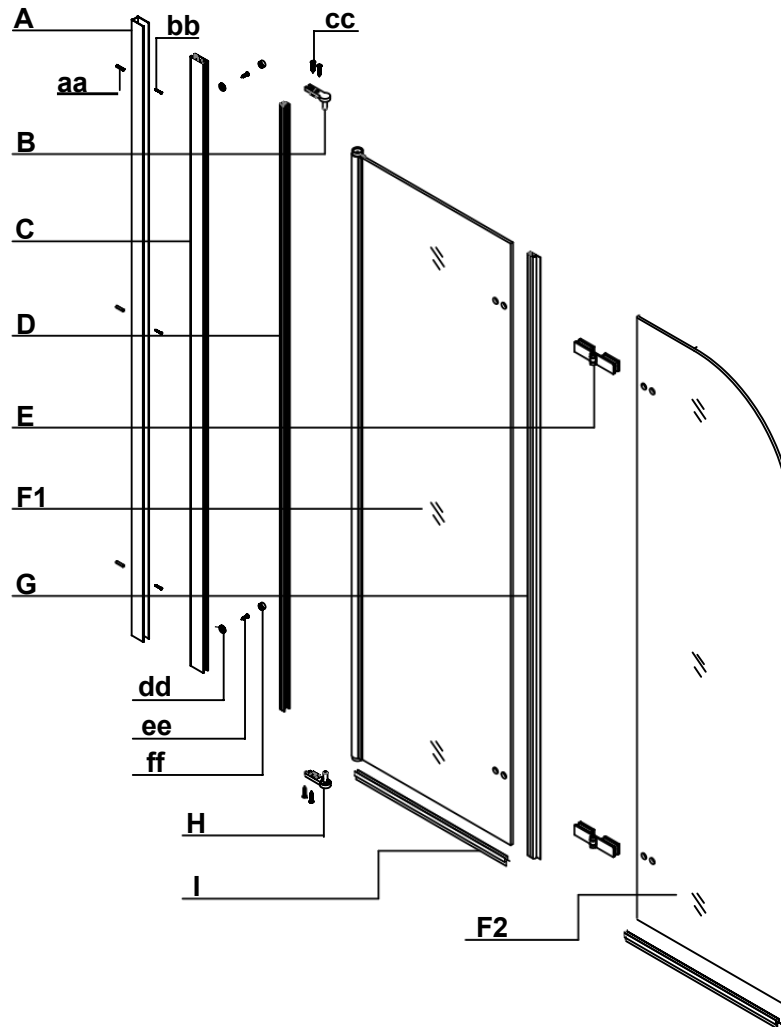
Inspect the shower threshold for level with a level or straightedge. Adjust the threshold as necessary until achieving perfectly horizontal.

The threshold must be perfectly horizontal.



# SHOWER DOOR

## PACKAGE CONTENT



### PARTS LIST

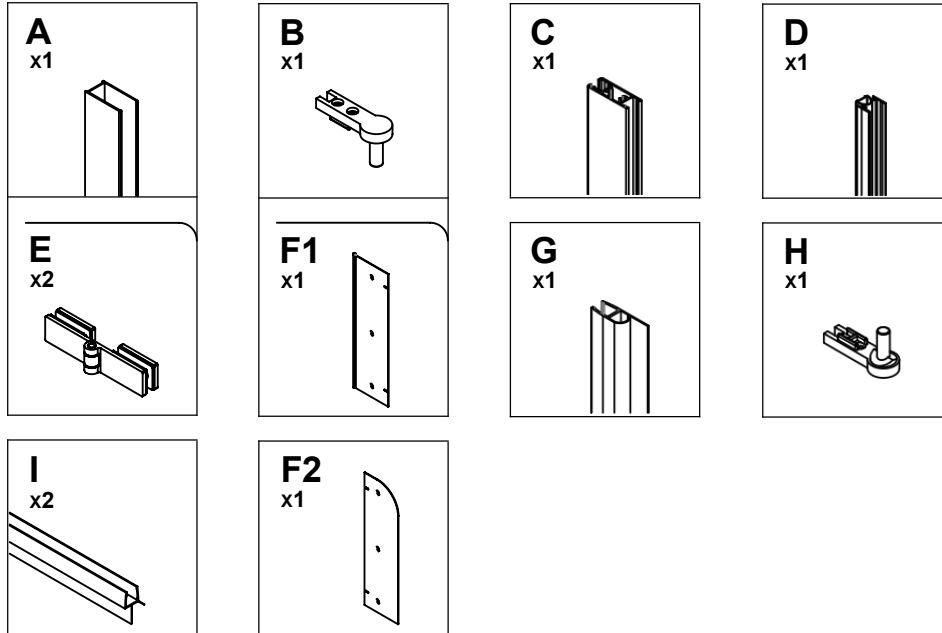
PART#	DESCRIPTION	QTY	PART#	DESCRIPTION	QTY
A	Wall Channel	1	F1	Pivot Door Panel	1
B	Top Pivot Block	1	G	Side Seal Strip	1
C	Side Profile	1	H	Adjustable Bottom Pivot Block	1
D	Seal Strip	1	I	Bottom Sweep Seal	2
E	Folding Hinge	2	F2	Hinge Glass Panel	1

**NOTE**

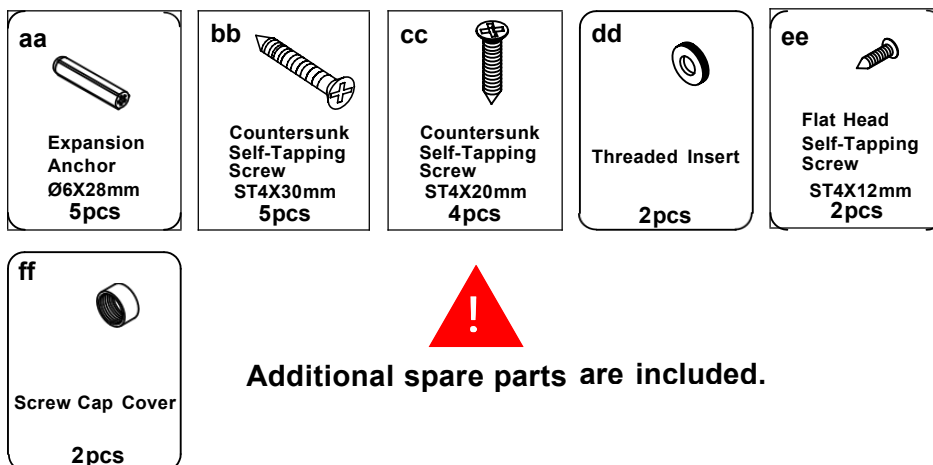
Please inspect all parts for missing items before installation. If any part is missing, please contact us.

# SHOWER DOOR

## PACKAGE CONTENT



## HARDWARE CONTENT



**NOTE** Inspect all parts for any missing items prior to installation!  
Contact us if any parts are missing.

# SHOWER DOOR

## TOOLS REQUIRED

**Drill Bits**



Ø1/4" & Ø5/16" (6 & 8mm) dia.  
HSS

**Screw Driver**



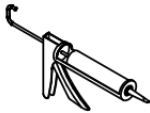
**Drill**



**Level**



**Silicone**



**Measuring Tape**



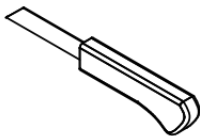
**Soft Head Hammer**



**Pencil**



**Knife**



**Masonry Drill Bit For Tile  
Ø6mm**



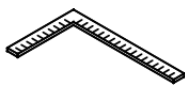
**Safety Glasses**



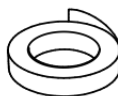
**Gloves**



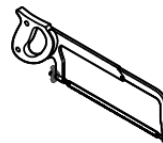
**Carpenter's Squarer**



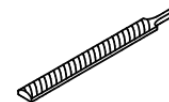
**Masking or Painter's Tape**



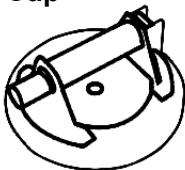
**Hack Saw**



**Metal File**



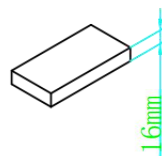
**Glass suction Cup**



**Drill Bit  
Ø3mm**



**wooden pad**



## SAFETY INFORMATION

### CAUTION

Please carefully read the following important safety information before handling or installing this shower door. There is a risk of serious injury while handling this product.

To minimize these risks, please note:

- Always wear safety glasses and gloves while handling.
- Always follow the installation instructions.
- Inspect the glass for damage before installation.
- Extreme caution should be taken while handling the glass during installation, as the tempered glass may shatter if it comes into contact with a hard surface.
- Do not cut or modify the tempered glass, as it will shatter if cut.
- Carefully remove the product from its packaging and keep the packaging until the installation is complete.
- Inspect all parts for damage or missing items. If there is any damage or missing parts prior to installation, please contact your seller for help.
- Cover the drain with tape to prevent the loss of small parts.
- The shower base and finished walls should be installed before beginning the shower door installation.
- During installation, protect the shower floor with a drop cloth to prevent damage.
- This product should be installed by two people who are familiar with construction requirements. Professional installation is recommended!
- Keep this installation manual for future reference.

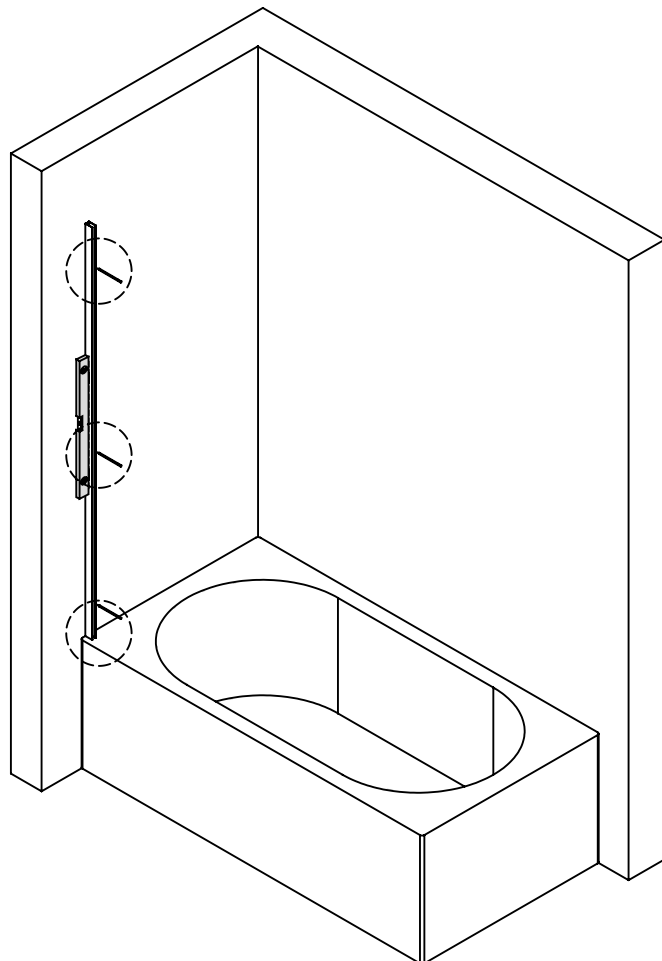
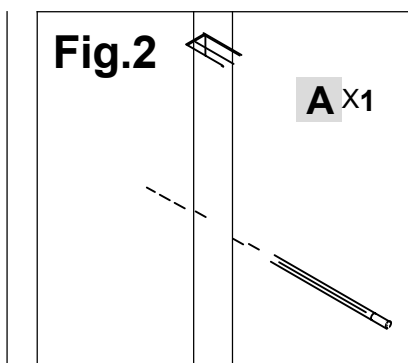
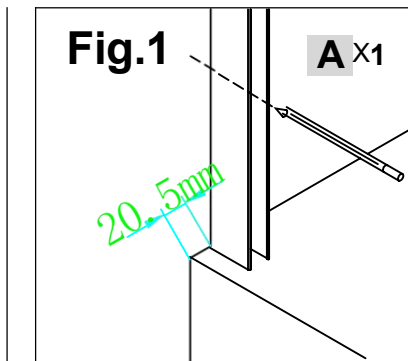
**NOTE:** Two people should perform this installation.



**1** Install **Wall Channel (A)**

NOTE

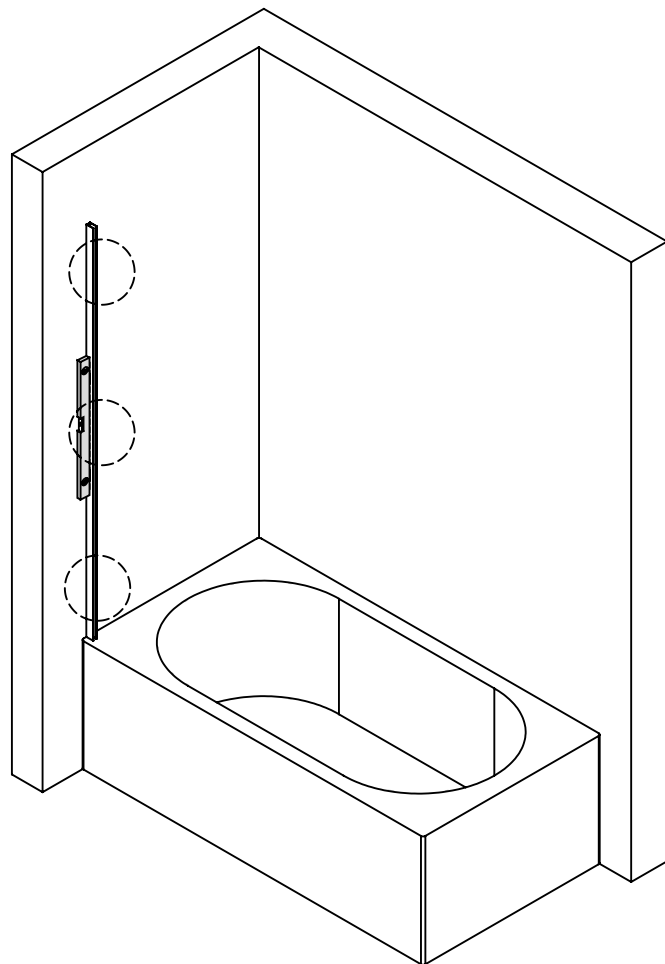
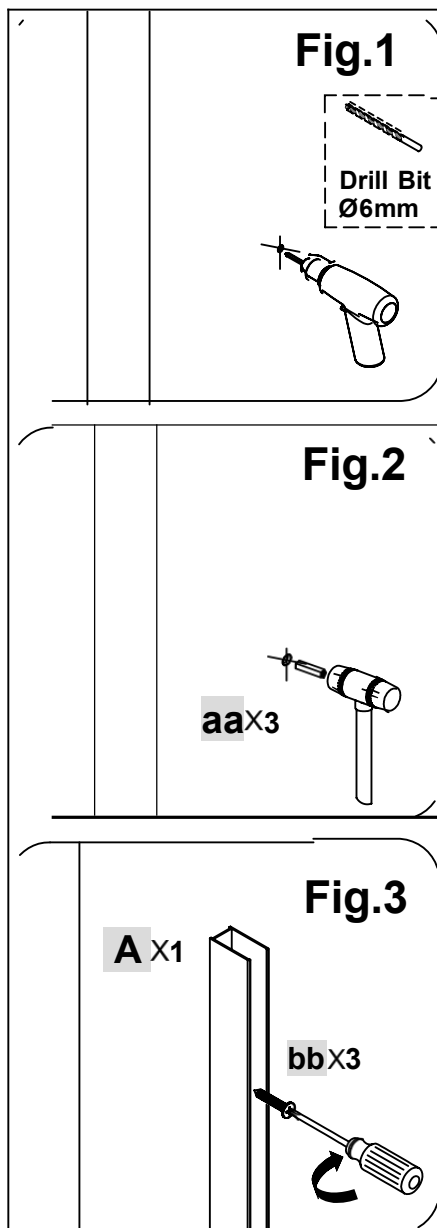
1. Position the **Wall Channel (A)** ( $13/16"$ ) (20.5mm) from the edge. Use a level to ensure the **Wall Channel (A)** is perfectly vertical.
2. Mark the drilling points on the wall through the holes in the **Wall Channel (A)** using a pencil.



## 2 Install Wall Channel (A)

NOTE

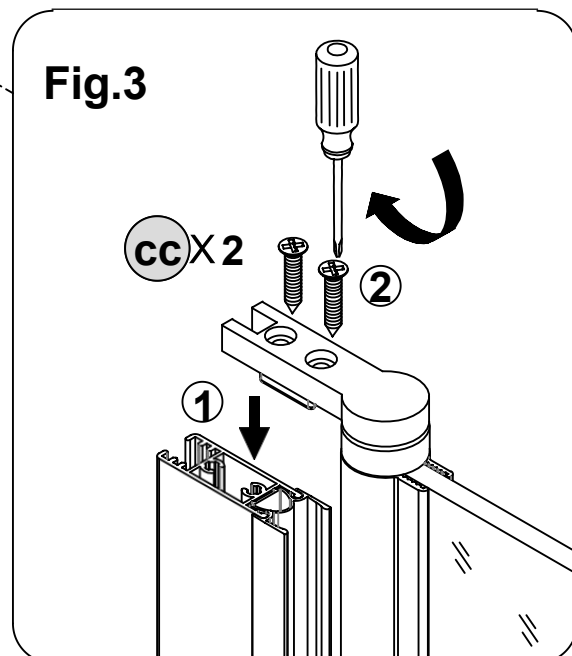
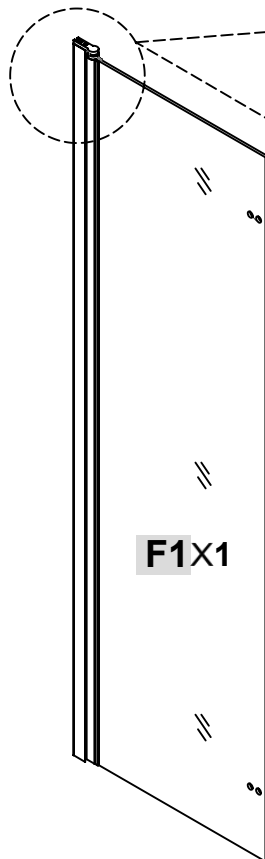
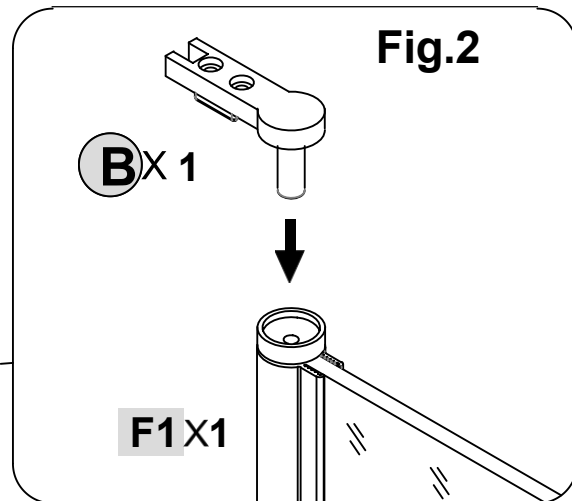
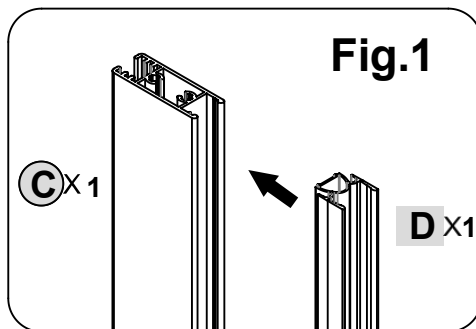
1. Remove the **Wall Channel (A)**. Drill **Ø6mm** holes at the marked points using an electric drill.
2. Tap the **expansion anchors Ø6x28mm (aa)** into the wall holes using a soft-head hammer.
3. Secure the **Wall Channel (A)** to the wall using **ST4x30mm countersunk self-tapping screws (bb)**, ensuring it remains perfectly vertical.



### 3 Install Top Pivot Block (B)

1. Clip the **Seal Strip (D)** into the channel of the **Side Profile (C)**.
2. Insert the **Top Pivot Block (B)** into the top hole of the **Pivot Door Panel (F1)**.
3. Engage the slot of the **Top Pivot Block (B)** into the **Side Profile (C)**. Secure it using **ST4x20mm countersunk self-tapping screws (cc)**.

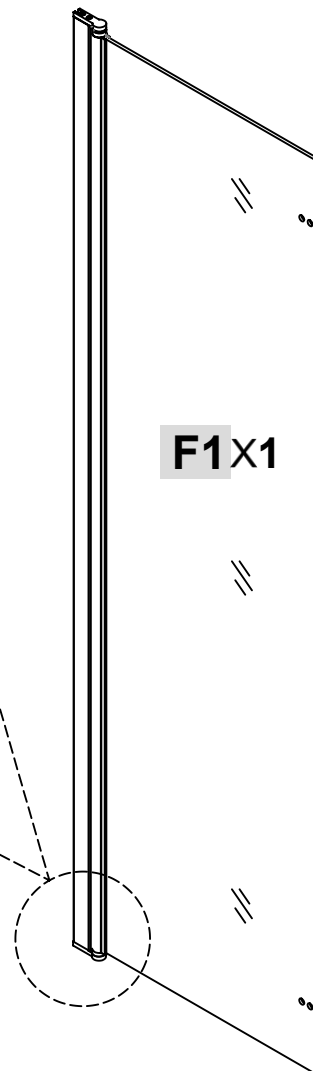
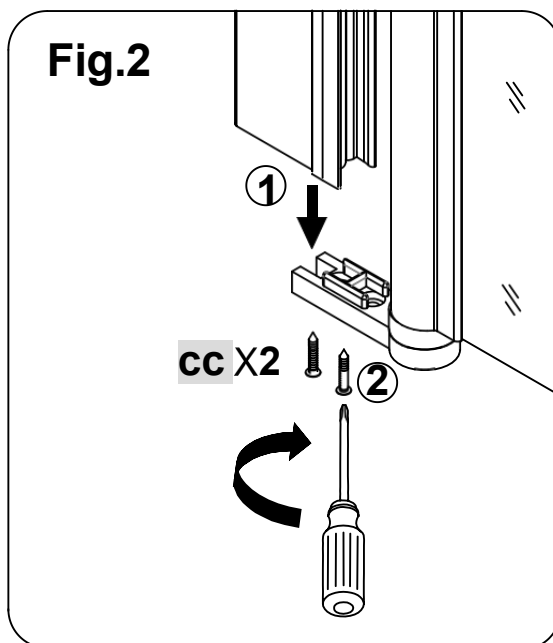
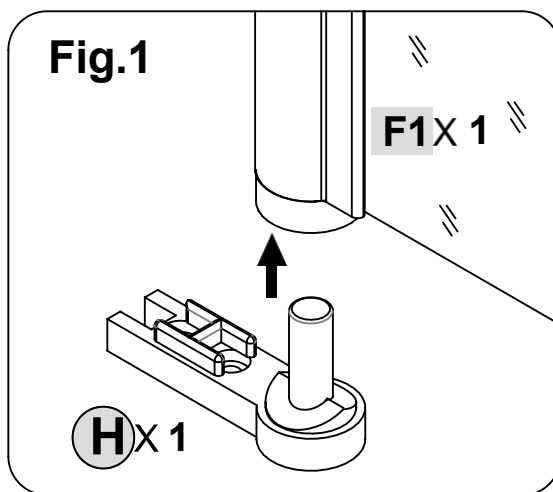
NOTE



**4** Install **Adjustable Bottom Pivot Block (H)**

1. Insert the **Adjustable Bottom Pivot Block (H)** into the bottom hole of the **Pivot Door Panel (F1)**.
2. Engage the slot of the **Adjustable Bottom Pivot Block (H)** into the **Side Profile (C)**. Secure it using **ST4x20mm countersunk self-tapping screws (cc)**.

NOTE

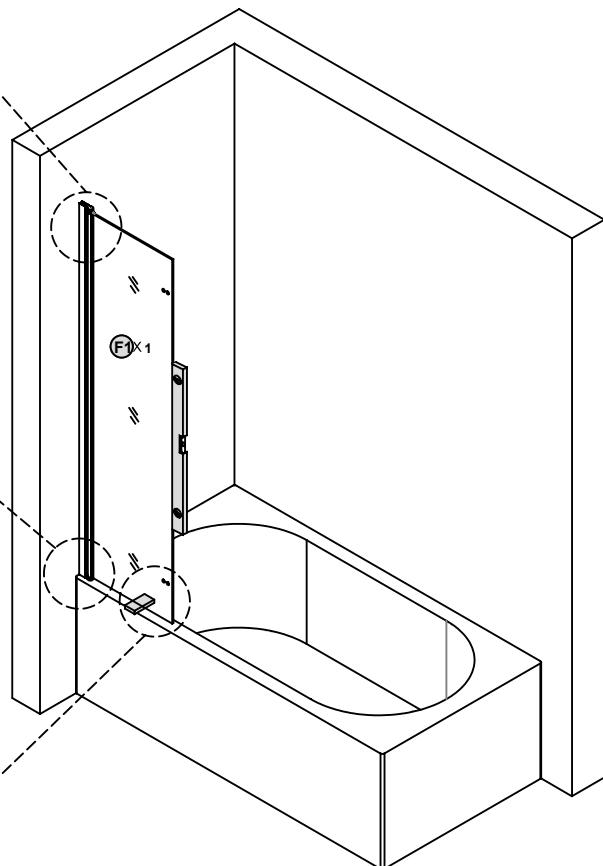
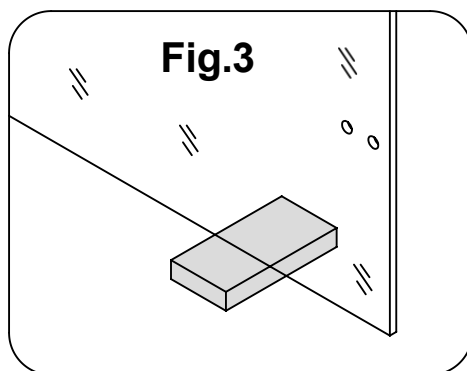
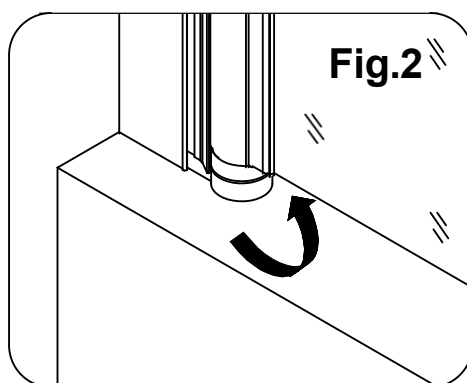
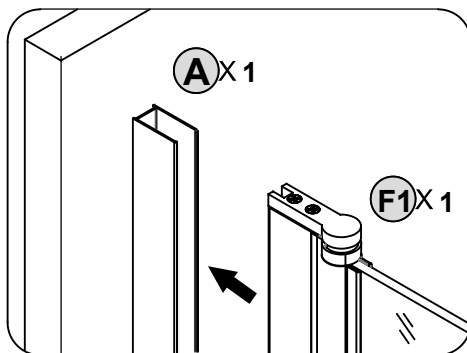


**5** Install **Pivot Door Panel (F1)**

1. Engage the **Pivot Door Panel (F1)** into the **Wall Channel (A)**.
2. The **Pivot Door Panel (F1)** should be able to pivot 180 degrees.

**NOTE**

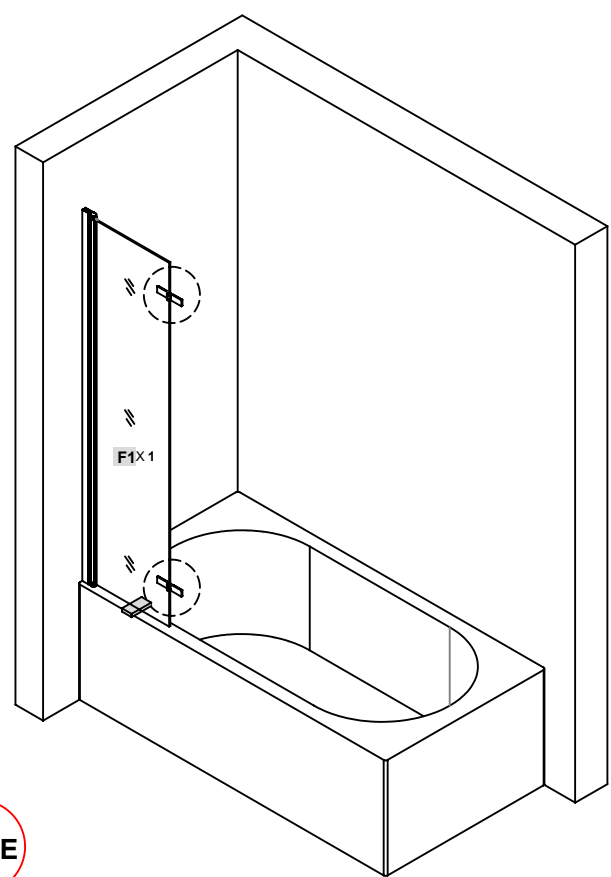
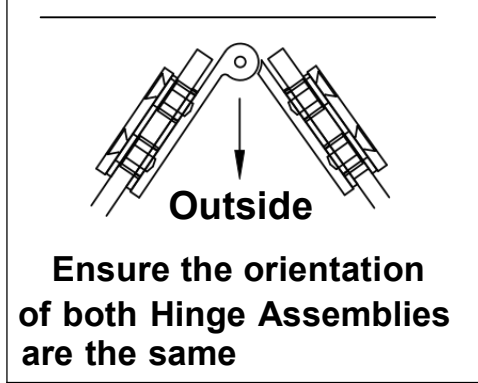
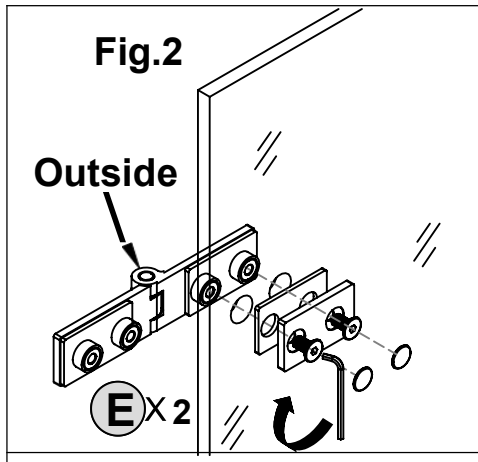
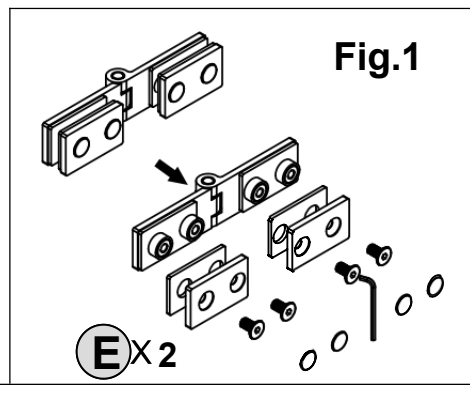
3. Place a wooden block under the bottom edge of the **Pivot Door Panel (F1)** to provide proper clearance. **Adjust the Pivot Door Panel (F1)** until it is level and plumb in the opening.



## 6 Install **Folding Hinge (E)**

1. Loosen and separate the components on the **Folding Hinge (E)** using a hex key.
2. Install the **Folding Hinge (E)** onto the **Pivot Door Panel (F1)**. Tighten the countersunk machine screws with a hex key and cover with the cap covers. Throughout installation, ensure you use all provided rubber washers to protect the glass from scratches or damage.

**NOTE**

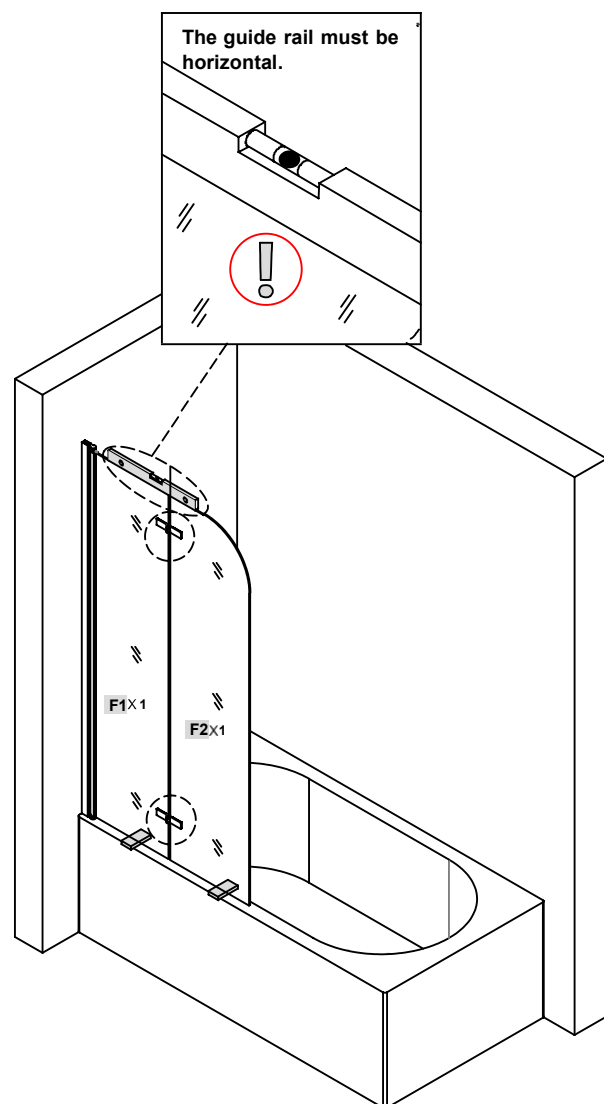
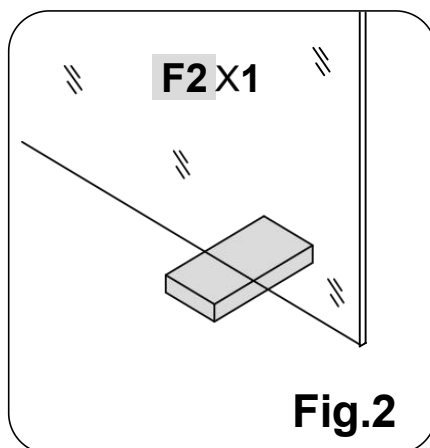
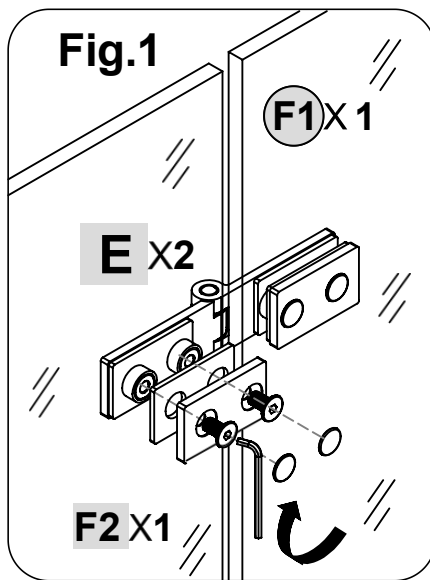


**NOTE**

## 7 Install Hinge Glass Panel (F2)

NOTE

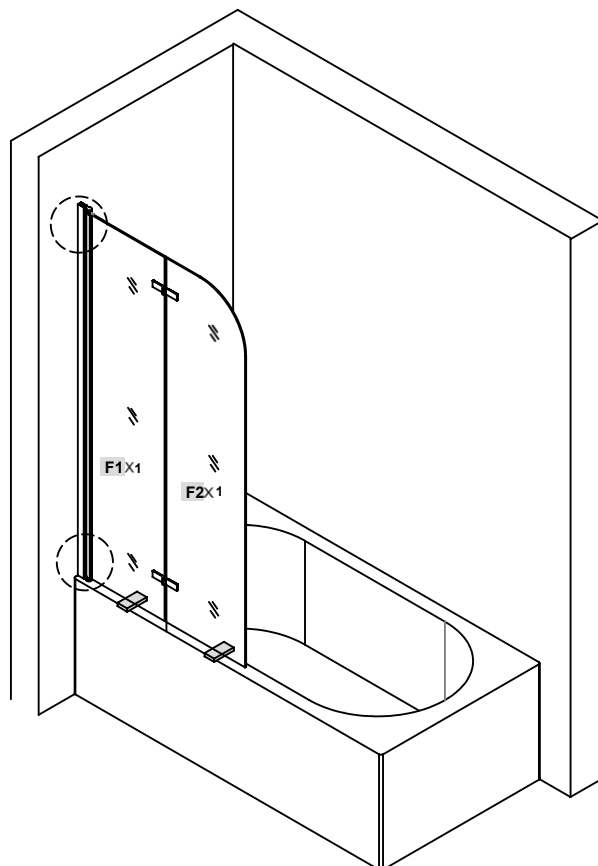
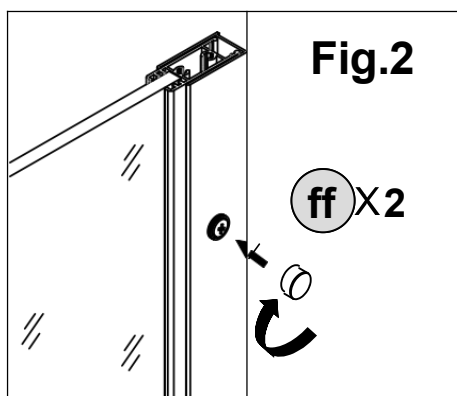
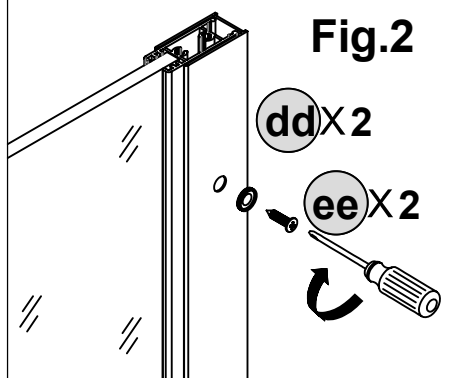
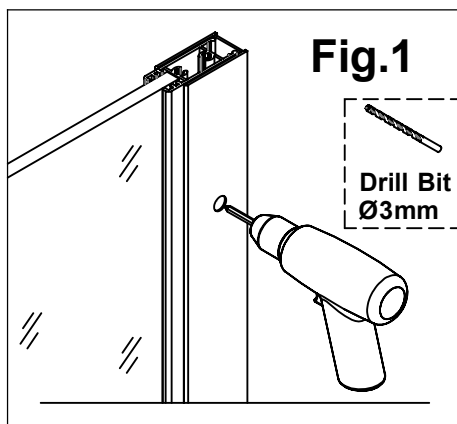
1. Lift the **Hinge Glass Panel (F2)** and align its holes with the **Folding Hinge (E)**. Tighten the countersunk machine screws with a hex key and cover with the cap covers. Throughout installation, ensure you use all provided rubber washers to protect the glass from scratches or damage.
2. Place a wooden block under the bottom edge of the **Hinge Glass Panel (F2)** to provide proper clearance. Adjust the **Hinge Glass Panel (F2)**.



## 8 Secure Pivot Door Panel (F1)

NOTE

1. Drill two Ø3mm pre-marked holes on the **Wall Channel (A)** in total (likely through into the Pivot Door Panel F1).
2. Place the **threaded inserts (dd)** over the **ST4x12mm flat head self-tapping screws (ee)**. Tighten the screws into the **Wall Channel (A)** (and into the **Pivot Door Panel F1**) using a screwdriver.
3. Screw the **screw cap covers (ff)** onto the **threaded inserts (dd)**.



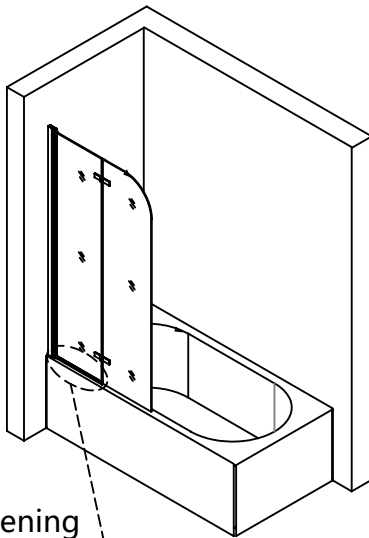
**9** Attach **Bottom Sweep Seal (I)** on **Pivot Door Panel (F1)**

1. First, cut a 7.3mm (approx. 9/32") notch in the **Bottom Sweep Seal (I)** at the position against the pivot side.

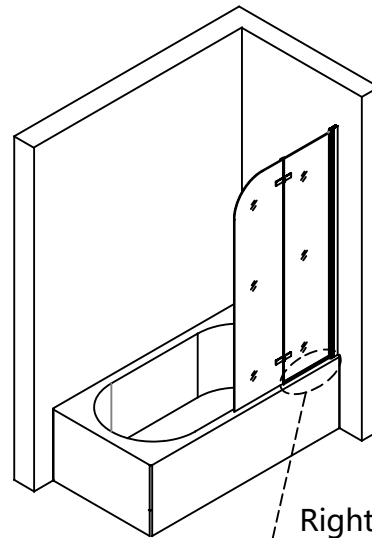
**NOTE**

2. Then, align the **Bottom Sweep Seal (I)** flush against the pivot edge and snap it onto the bottom of the **Pivot Door Panel (F1)**.

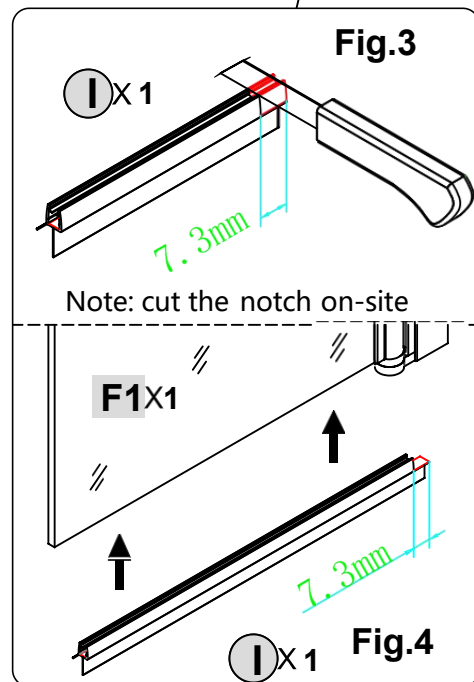
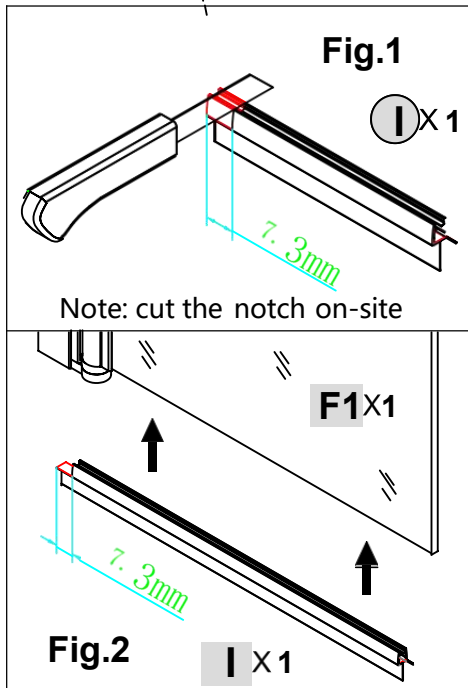
(Note: If the unit is installed on the right-hand side, refer to Fig.3 and Fig.4 for the notch location on the **Bottom Sweep Seal (I)**).



Left Opening



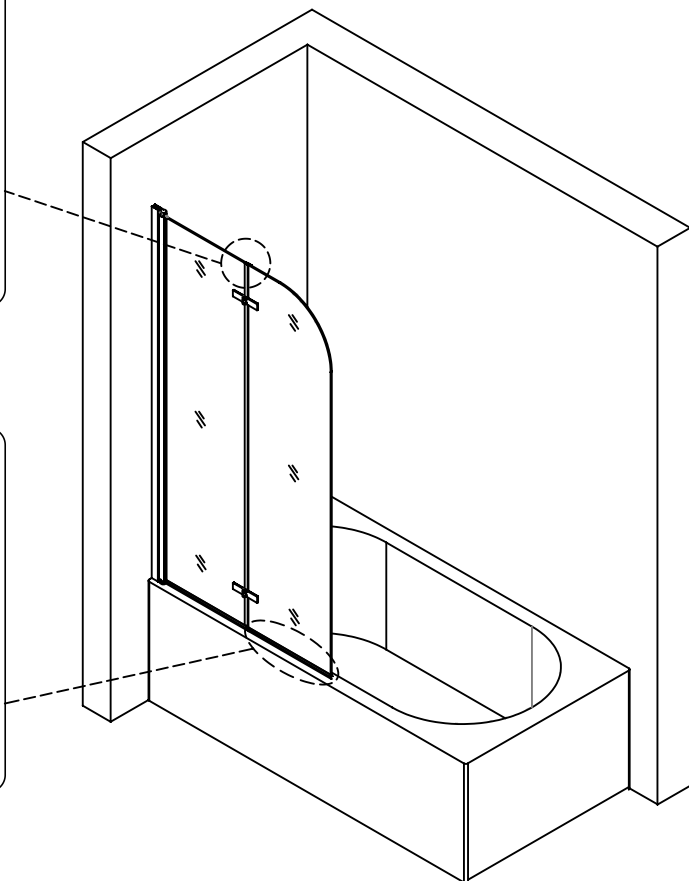
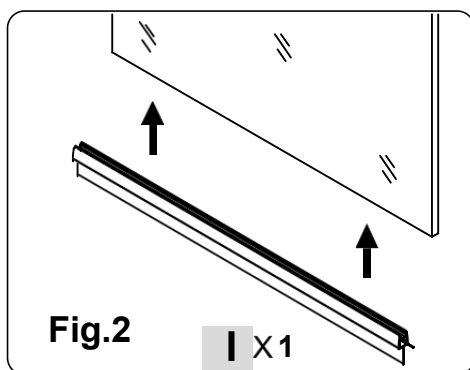
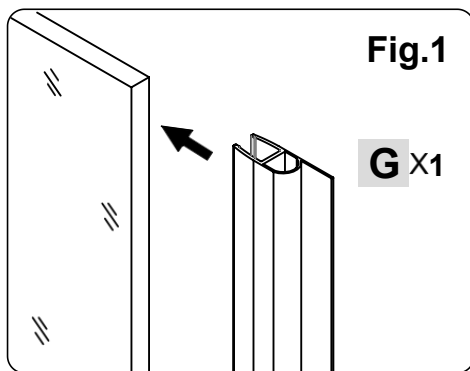
Right Opening



**10** Install **Side Seal Strip (G)** and **Bottom Sweep Seal (I)**

NOTE

1. Attach the **Side Seal Strip (G)** onto the **Hinge Glass Panel (F2)**.
2. Attach the **Bottom Sweep Seal (I)** onto the **Hinge Glass Panel (F2)**.



## 11 SEALING

**NOTE** The surfaces need to be clean and free of debris before applying silicone.

**NOTE** Make sure the shower door is tightly closed and opens smoothly. Apply high-quality silicone sealant along the bottom of the fixed glass and the bottom of the lower water barrier.

**!** Allow 24 hours for the silicone to cure before using the shower.



**!** Apply Silicone Sealant, (not supplied).

**Apply silicone to the wall position on the outside of the wall material.**

