



Portfolio® is a registered trademark of LF, LLC. All Rights Reserved.

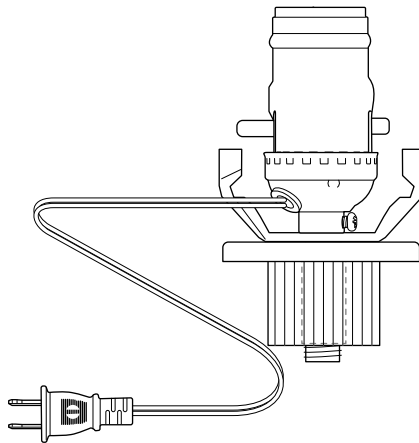
ITEM #0042925

BOTTLE LAMP KIT

MODEL #887L

Français p. 7

Español p. 13



ATTACH YOUR RECEIPT HERE

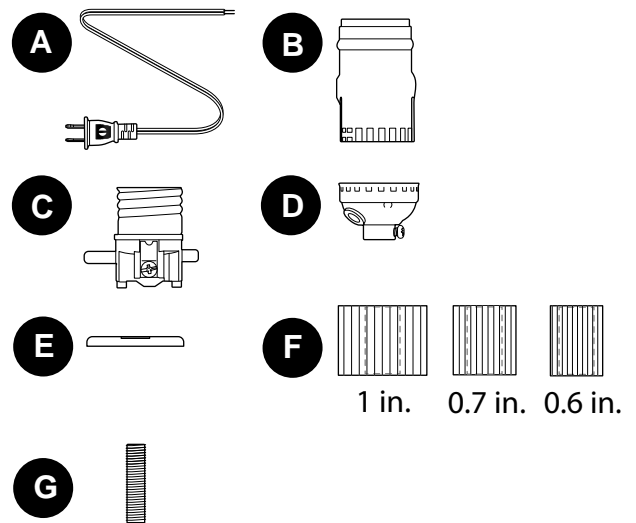
Serial Number _____ **Purchase Date** _____



Questions, problems, missing parts? Before returning to your retailer, call our customer service department at **1-800-643-0067**, 8 a.m. - 6 p.m., EST, Monday - Thursday, 8 a.m. - 5 p.m., EST, Friday.

PACKAGE CONTENTS

PART	DESCRIPTION	QUANTITY
A	Cord	1
B	Socket Cover (preassembled to socket cap (D))	1
C	Socket (preassembled to socket cover (B))	1
D	Socket Cap	1
E	Ring	1
F	Adapter	3 (various sizes)
G	Threaded Rod	1



SAFETY INFORMATION

READ AND SAVE THESE INSTRUCTIONS.

Please read and understand this entire manual before attempting to assemble, operate or install the product. Failure to do so could lead to fire, electrical shock or other injuries that could be hazardous or even fatal.

DANGER

- DO NOT connect this accessory to an electrical system that does not provide a means for equipment grounding. Never use an accessory in a two-wire system that is not grounded. Installing an accessory into an electrical system not having a proper grounding means could cause metal parts of the accessory to carry electrical currents if any of the fixture wires, wire connections or splices were to become broken, cut or loose during the mounting or normal operation of the accessory. Under this condition, anyone coming in contact with the accessory would be subject to electrical shock, which could cause serious injury or death.
- DO NOT damage or cut the wire insulation (covering) during installation of accessory. DO NOT permit wires to contact any surface having a sharp edge. To do so may damage or cut the wire insulation, which could cause serious injury or death from electrical shock.

WARNING

- All electrical connections must be in agreement with local codes and ordinances, the National Electric Code (NEC) and ANSI/NFPA 70-1999. Contact your municipal building department to learn about your local codes, permits and/or inspections. Risk of fire - most dwellings built before 1985 have supply wire rated for 140°F. Consult a qualified electrician before installation.
- To avoid personal injury, the use of gloves may be necessary while handling lamp kit parts with sharp edges.
- This lamp kit has a polarized plug (one blade is wider than the other) as a safety feature to reduce the risk of electric shock. This plug will fit in a polarized outlet only one way. If it does not fit fully in the outlet, reverse the plug. If it still does not fit, contact a qualified electrician. NEVER use with an extension cord unless the plug can be fully inserted. DO NOT alter the plug.
- To reduce the risk of burns, fire, electric shock or injury to persons, unplug from outlet before putting on or taking off parts.

SAFETY INFORMATION

WARNING

- To reduce the risk of burns, fire, electric shock or injury to persons, **DO NOT** use the product if power cord is frayed or broken.
- **DO NOT** place the light fixture against carpeting, furniture or any other fabric when in use.

CAUTION

- **TURN OFF ELECTRICITY** at main fuse box (or circuit breaker box) before beginning installation by removing the fuse (or switching the circuit breaker off).
- Protect power supply cord from crushing or being stepped on; route cord to prevent tripping.
- **DO NOT** use bulbs having a wattage greater than the maximum value stated on the socket cover. The use of bulbs with higher wattage than specified will increase temperatures and risk of fire.
- If a dimmer control switch is used with this fixture, obtain professional advice to determine the correct type to use as well as the electrical rating required.
- To replace power supply cord, contact customer service or manufacturer.

PREPARATION

Before beginning assembly of product, make sure all parts are present. Compare parts with package contents list and hardware contents list. If any part is missing or damaged, do not attempt to assemble the product.

Estimated Assembly Time: 30 - 45 minutes


Parts Required for Assembly (sold separately): Bottle, Saddle

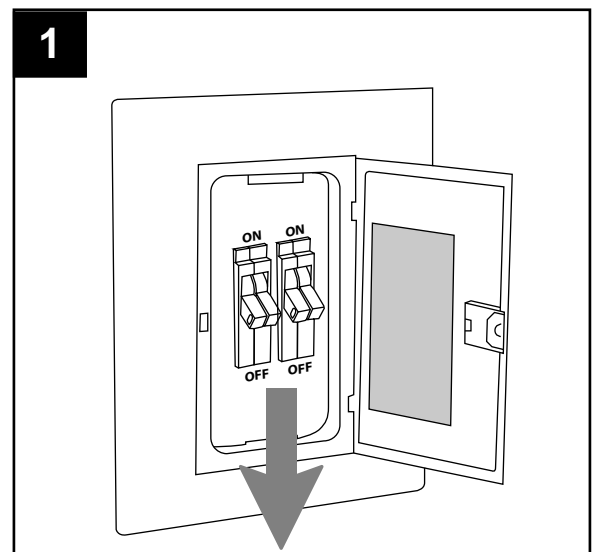
Tools Required for Assembly (not included): Phillips Screwdriver, Wire Strippers, Pliers, Safety Glasses

Helpful Tools (not included): A/C Tester Light, Do-It-Yourself Guide

ASSEMBLY INSTRUCTIONS

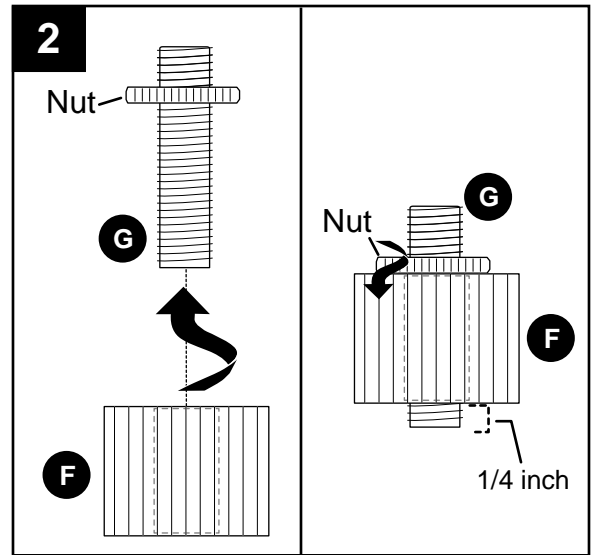
1. Turn off circuit breakers and wall switch to the fixture supply line leads.

 **DANGER:** Failure to disconnect power supply prior to installation may result in serious injury or death.

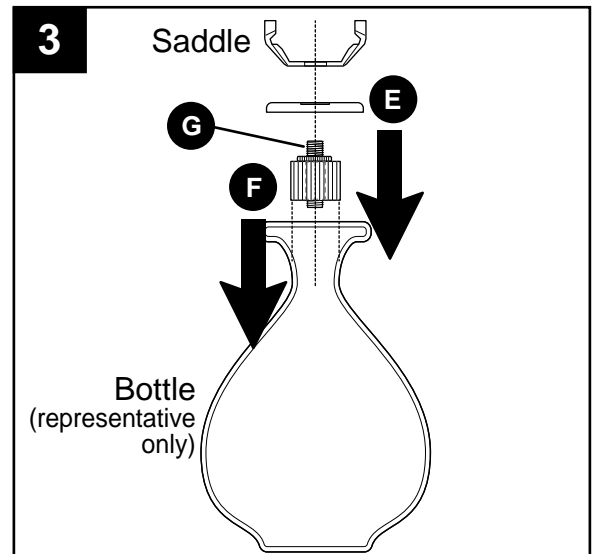


ASSEMBLY INSTRUCTIONS

- Choose adapter (F) that fits snugly into the opening of the bottle (sold separately). Screw adapter (F) onto the end of threaded rod (G) opposite of the preassembled nut. Tighten nut until 1/4 in. of threaded rod (G) extends beyond the adapter (F).

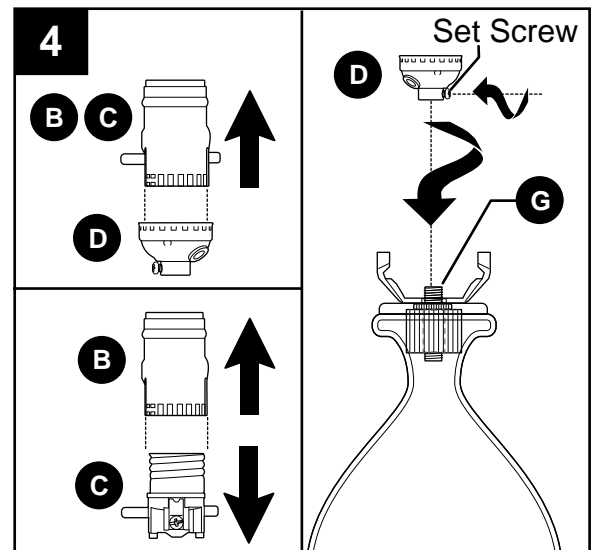


- Insert adapter (F) into bottle so the 1/4 in. part of the threaded rod (G) faces down. Slide ring (E) and saddle (sold separately) over threaded rod (G), ensuring the open part of the ring (E) is turned down toward the bottle opening.



- Remove socket cover (B) and socket (C) from socket cap (D), then *gently* pull socket cover (B) and socket (C) apart.

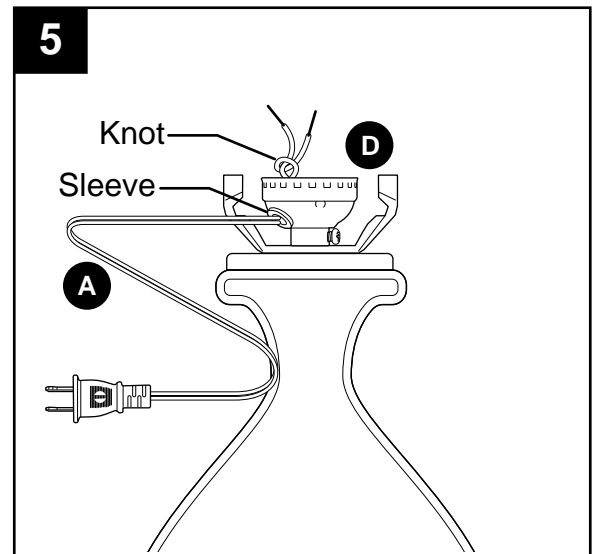
Screw socket cap (D) onto threaded rod (G). Tighten preassembled set screw at base of socket cap (D) to secure.



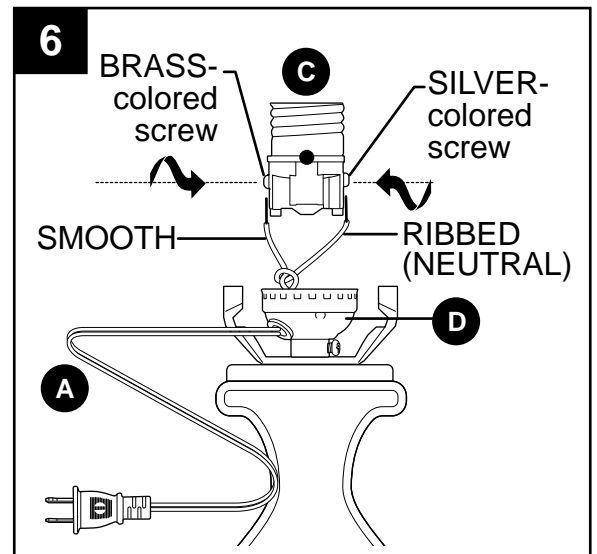
ASSEMBLY INSTRUCTIONS

5. Thread approximately 2 in. of the cord (A) through sleeve in socket cap (D). Gently separate wires on cord (A). Then, tie a loose knot with the wires, keeping the knot within the socket cap (D).

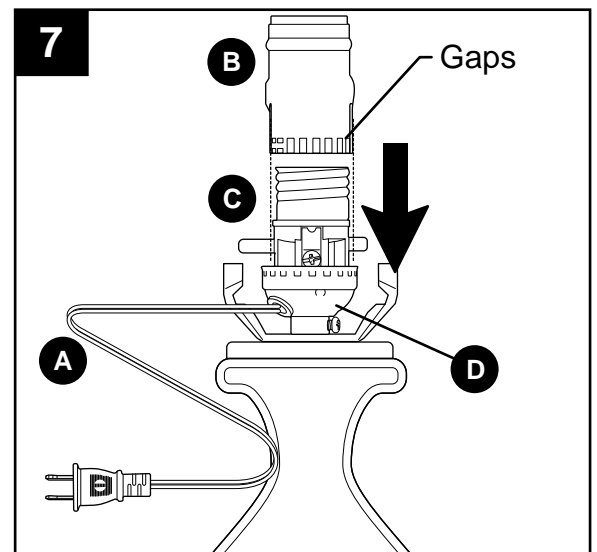
⚠ CAUTION: To avoid damage to the wires and/or the bottom of the socket (C), do not thread more than 2 in. of cord into the socket cap (D).



6. Prepare fixture wires by stripping 1/4 in. of insulation from wire ends using wire strippers (not included). Connect the NEUTRAL (RIBBED) wire on the cord (A) to the preassembled SILVER-colored terminal screw. Connect the other (SMOOTH) wire on the cord (A) to the preassembled BRASS-colored terminal screw. Tighten terminal screws, making sure wires are secure under the screwheads.



7. Carefully arrange wires within socket cap (D). Lower socket cover (B) and socket (C) to socket cap (D) and press down, aligning switch on socket (C) with gaps in socket cover (B) for correct fit. Gently rock socket cover (B) back and forth until clicks are heard -- *clicks indicate socket cap (D) is locked in placed.*



ASSEMBLY INSTRUCTIONS

8. Install one standard-base bulb (not included) into socket (C). Use a 60-watt max. incandescent bulb, a 13-watt CFL or a 6-watt LED.

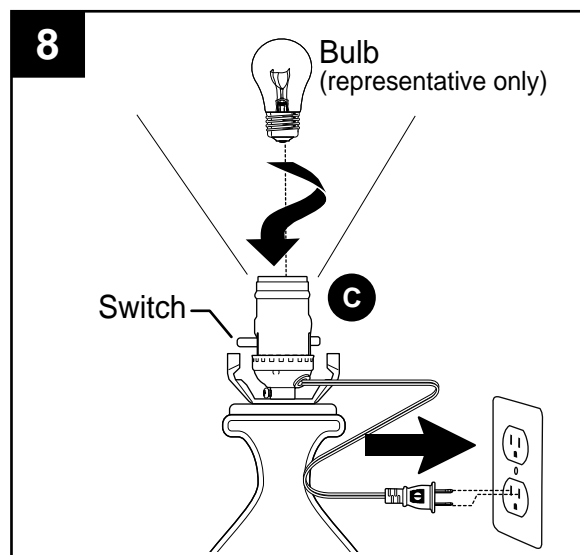
⚠ WARNING: When replacing bulb, allow bulb and lamp kit to cool down before touching.

Plug cord into wall outlet.

NOTE: Use preassembled switch on socket (C) to turn light ON/OFF.

Restore power and test light.

If light does not function, please refer to TROUBLESHOOTING below.



CARE AND MAINTENANCE

- Shut off main power supply. Wipe fixture with soft, damp cloth. Use window cleaner to clean glass. Do not use an abrasive cleaner on glass or fixture.

TROUBLESHOOTING

⚠ WARNING: Before beginning work, shut off the power supply to avoid electrical shock.

PROBLEM	POSSIBLE CAUSE	CORRECTIVE ACTION
Bulb will not light.	<ol style="list-style-type: none"> 1. Bulb is burned out. 2. Power is OFF. 3. Lamp is not plugged in. 4. Faulty wire connection. 	<ol style="list-style-type: none"> 1. Replace light bulb. 2. Make sure power supply is ON. 3. Plug lamp into outlet. 4. Turn power off and check wiring and all connections.

Printed In China

Portfolio® is a registered trademark of LF, LLC. All rights reserved.