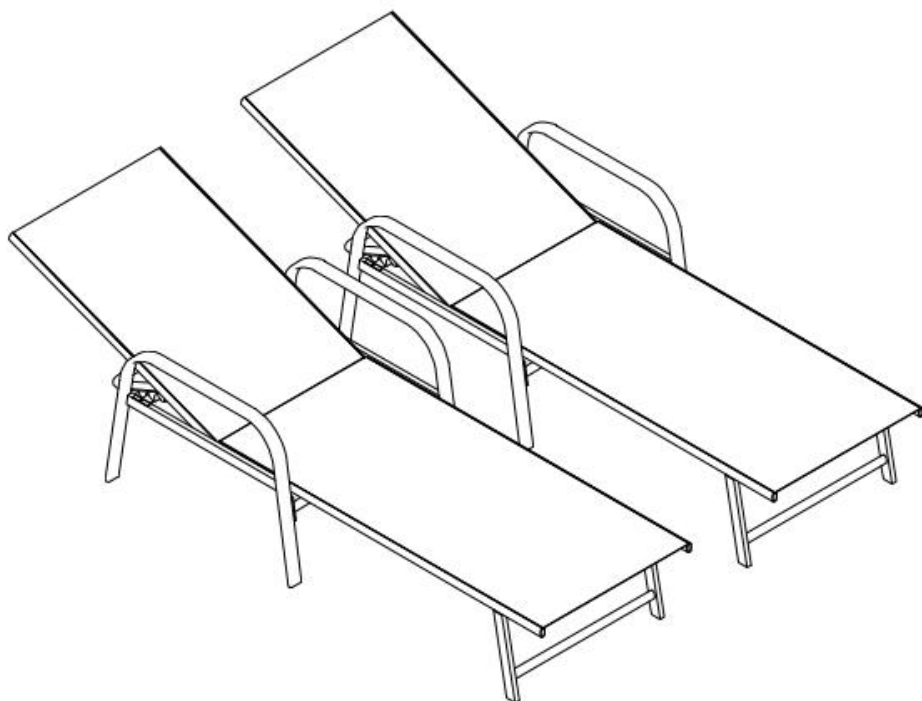


Lounge Chair

Product ID. 7ARSQ



Scan for Support
support@garvee.com



Distributed by
GARVEE.com

V260307LZNY

CONTENTS

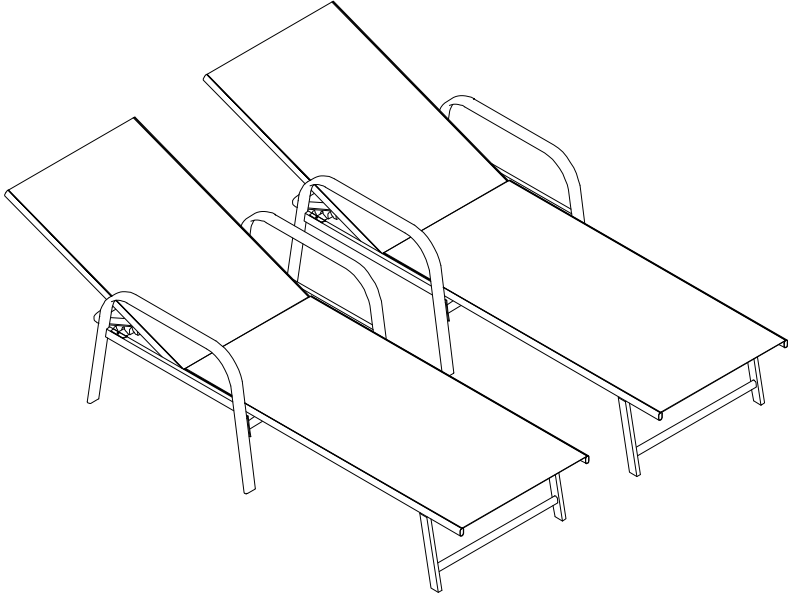
| | |
|-----------|----------------------|
| 01 | PRODUCT INTRODUCTION |
| 02 | SAFETY WARNINGS |
| 03 | PARTS LIST |
| 04 | ASSEMBLY |
| 06 | FAQ |

PRODUCT INTRODUCTION

Speci fi cati on

| | |
|--------------|--|
| Product Name | Lounge Chair |
| Model / SPU | PPG_34K5 |
| Product Size | 2* Lounge Chair: L194/156 * W61 * H31/96cm |
| Weight | 2* Lounge Chair: 19.4 lbs (8.8 kg) |

Product Image



SAFETY WARNINGS

Safety Definitions



Indicates a hazardous situation which, if not avoided, will result in death or serious injury.



Indicates a hazardous situation which, if not avoided, could result in death or serious injury.

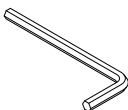


Indicates a hazardous situation which, if not avoided, could result in minor or moderate injury.



Never allow children to climb onto the product. Ensure that you have special safety measures when children are around on their own.

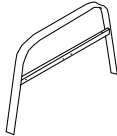

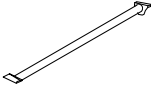
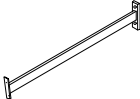
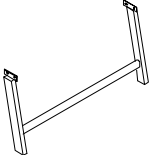
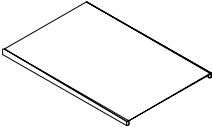
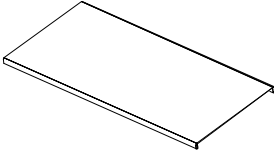
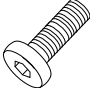
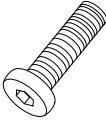
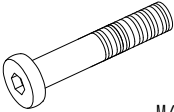
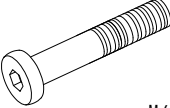


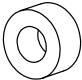
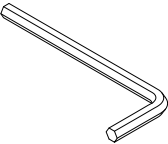
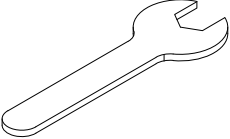
- Please carefully read the following instructions and warnings before assembling the product.
- Following this manual will ensure that you correctly install, use and maintain the product.
- Please retain this installation manual for future reference when disassembling the product.
- Be sure to check that all parts of the product are intact after you open the package.
- If any severe damage is found, such as breakage or deformation, please do not assemble.
- Please assemble the unit on carpeted floor or the flat cardboard box to avoid scratching the surface or your floor while assembling on the floor.
- During assembly, please use the included installation tools (Allen screwdriver) and pay attention to the orientation of each component at every step.
- The product can be assembled using the corresponding power tools.



- It is recommended that two people work together to assemble the product.

INSTALLATION

Parts List

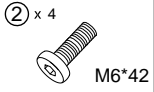
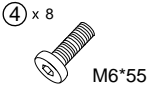

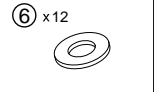
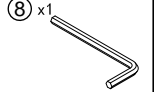
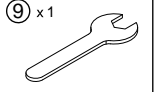
| | | | |
|---|---|--|--|
|  |  |  | |
| A * 2 | B * 2 | C * 2 | |
|  |  |  | |
| D * 2 | E * 2 | F * 2 | |
|  |  M6*15 |  M6*42 | |
| G * 2 | ① * 8 | ② * 12 | |
|  M6*50 |  M6*55 |  | |
| ③ * 4 | ④ * 8 | ⑤ * 24 | |
|  |  |  |  |
| ⑥ * 32 | ⑦ * 4 | ⑧ * 1 | ⑨ * 1 |

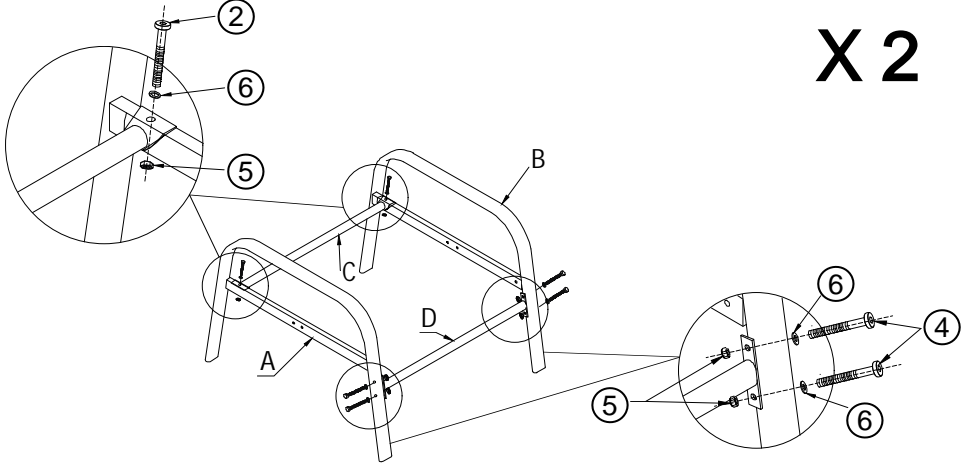
Assembly

Step 1

NOTE: Do not fully tighten the screws, tighten them to 60% first.

- Please first take the screw parts listed in the table below.

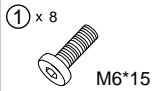
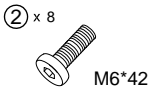

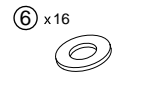
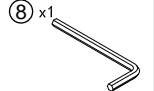
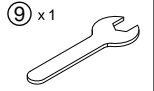
| | | | | | |
|---|--|---|---|--|---|
|  <p>② x 4 M6*42</p> |  <p>④ x 8 M6*55</p> |  <p>⑤ x 12</p> |  <p>⑥ x 12</p> |  <p>⑧ x 1</p> |  <p>⑨ x 1</p> |
|---|--|---|---|--|---|

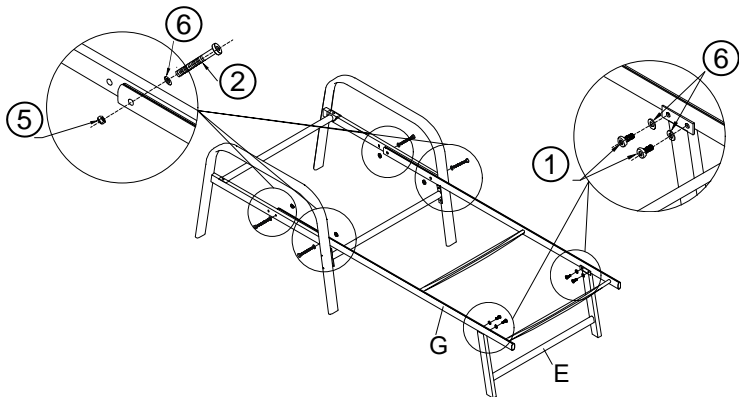


Step 2

NOTE: Do not fully tighten the screws, tighten them to 60% first.

- Please first take the screw parts listed in the table below.







| | | | | | |
|--|---|---|--|---|--|
|  <p>① x 8 M6*15</p> |  <p>② x 8 M6*42</p> |  <p>⑤ x 8</p> |  <p>⑥ x 16</p> |  <p>⑧ x 1</p> |  <p>⑨ x 1</p> |
|--|---|---|--|---|--|

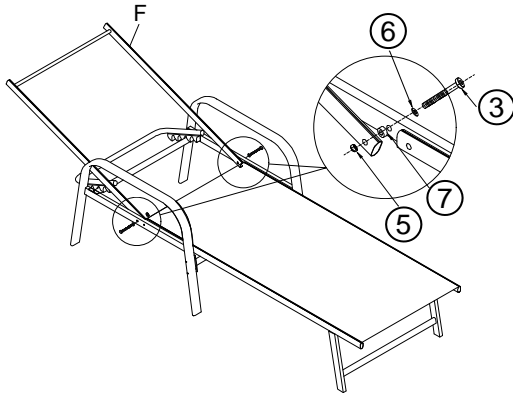


Assembly

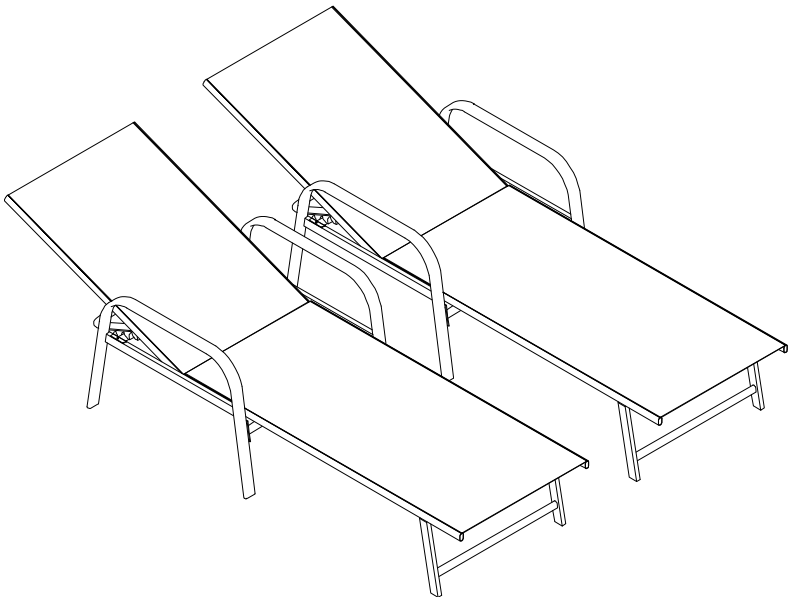
Step 3 **NOTE:** Do not fully tighten the screws, tighten them to 60% first.

- Please first take the screw parts listed in the table below.
- After ensuring all the screw holes have screws installed, use an Allen wrench to tighten all the screws.

| | | | | | |
|---|--|--|--|---|--|
| ③ x 4  M6*50 | ⑤ x 4  | ⑥ x 4  | ⑦ x 4  | ⑧ x1  | ⑨ x1  |
|---|--|--|--|---|--|



Step 4



Q The holes cannot be assembled

- A**
1. When confirming the installation, check if the screws are tightened only 60% as required, rather than fully tightened.
 2. Confirm the installation sequence and whether it is carried out according to the manual steps.
 3. Contact the service center for replacement.

Q The product is damaged

- A** 1. Contact the service center for replacement.

Q The product color does not match

- A** 1. Contact the service center for replacement.

GARVEE
support@garvee.com