










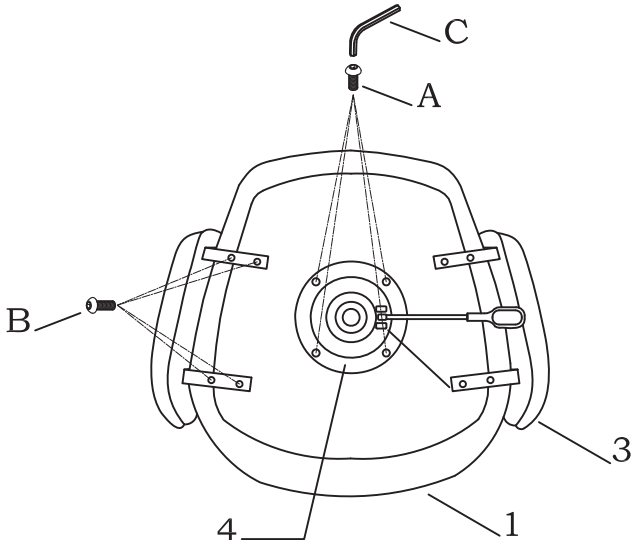
ITEM NAME/NOM D'ITEM: SPECIFY OFFICE CHAIR  
 ITEM #/NO.ITEM: 101836 / 101837

## PARTS LIST/LISTE DES PIÈCES

(1)	(2)	(3)	(4)	(5)	(6)	(7)
						A.  M6x18mm x4 B.  M6x30mm x8 C.  5mm x1
x1	x1	x2	x1	x1	x5	

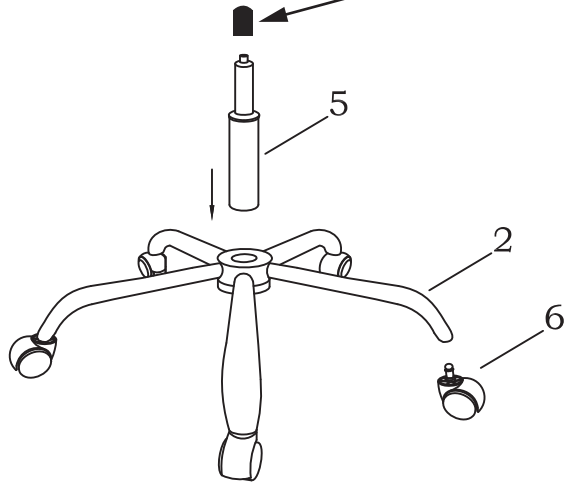
## ASSEMBLY INSTRUCTIONS/INSTRUCTIONS D'ASSEMBLAGE

**I**

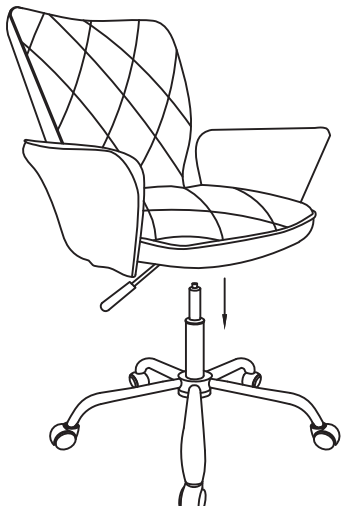


**II**

REMOVE THE CAP BEFORE ASSEMBLY



**III**



**IV**

