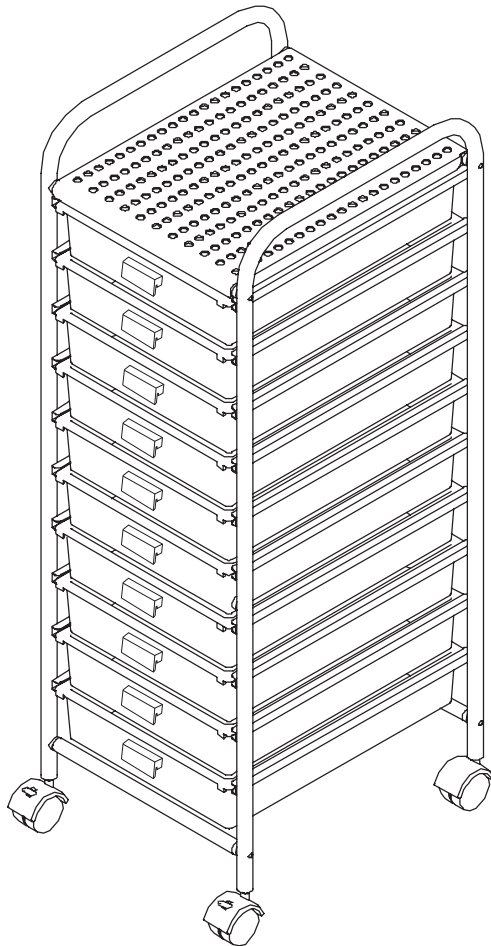
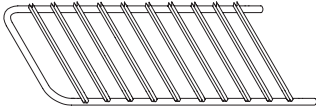
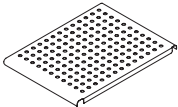
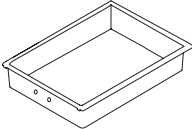
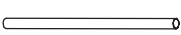
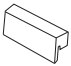









**storage cart**  
**carro de almacenamiento**  
**chariot de rangement**



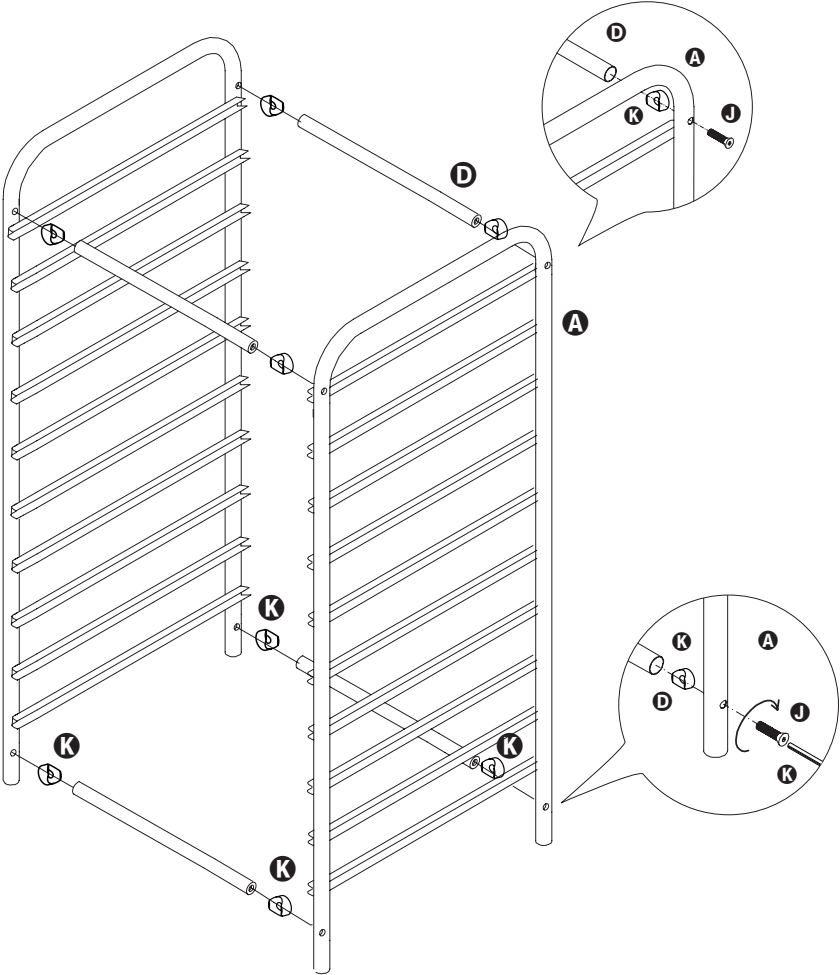
**12.6 in L x 15.31 in W x 38.1 in H / 32 cm L x 38.9 cm W x 96.8 cm H**

# PARTS LIST

PART/ILLUSTRATION	(QTY)	DESCRIPTION
<b>A</b> 	(2)	side supports soportes laterales supports latéraux
<b>B</b> 	(1)	work surface superficie de trabajo la surface de travail
<b>C</b> 	(10)	drawers cajones tiroirs
<b>D</b> 	(4)	cross bars barras transversales barres transversales
<b>E</b> 	(10)	drawer pulls tiradores poignées de tiroir
<b>F</b> 	(2)	casters ruedas roulettes
<b>G</b> 	(2)	locking casters ruedas de bloqueo roulettes à blocage
<b>H</b> 	(4)	caster sleeves mangas de lanzador manches de roulettes
<b>I</b> 	(20)	drawer pull screws tornillos de tracción cajón vis tiroir de traction
<b>J</b> 	(8)	cross bar screws tornillos de barras cruzadas vis à barres croisées
<b>K</b> 	(8)	bushings bujes douilles
<b>L</b> 	(1)	hex wrench llave hexagonal clé hexagonale

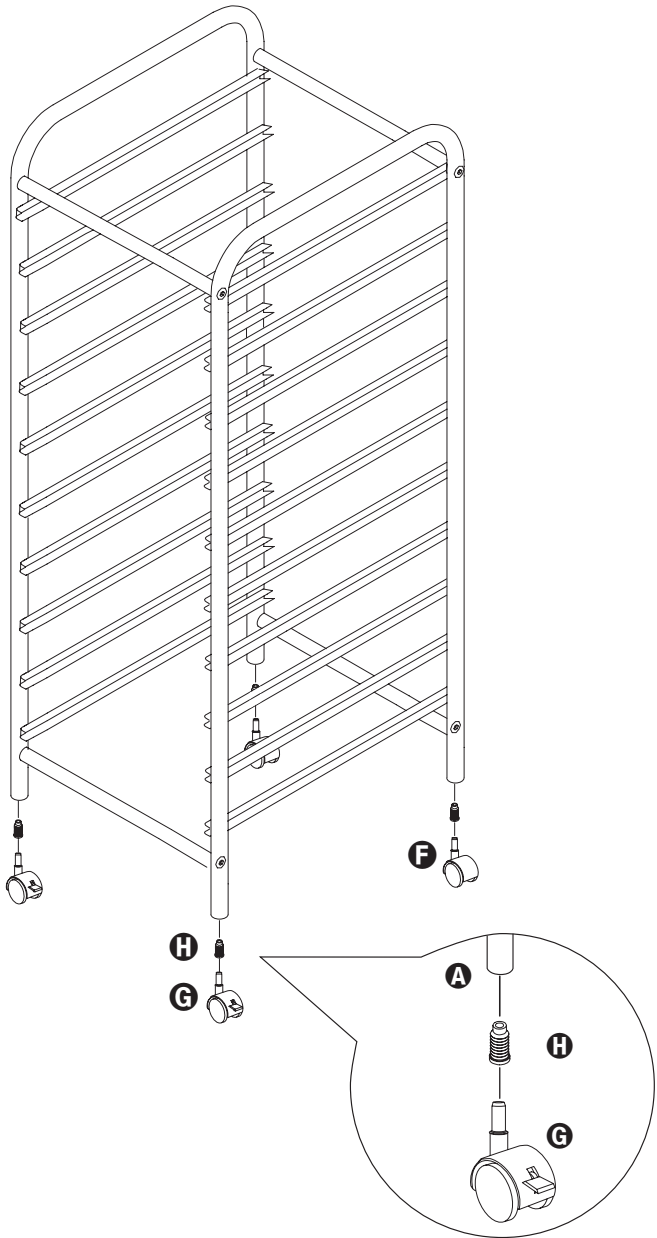
# ASSEMBLY

2



# ASSEMBLY

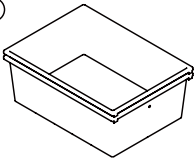
3



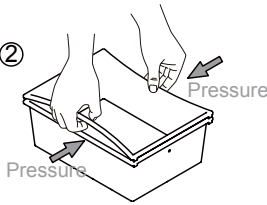
# ASSEMBLY

4

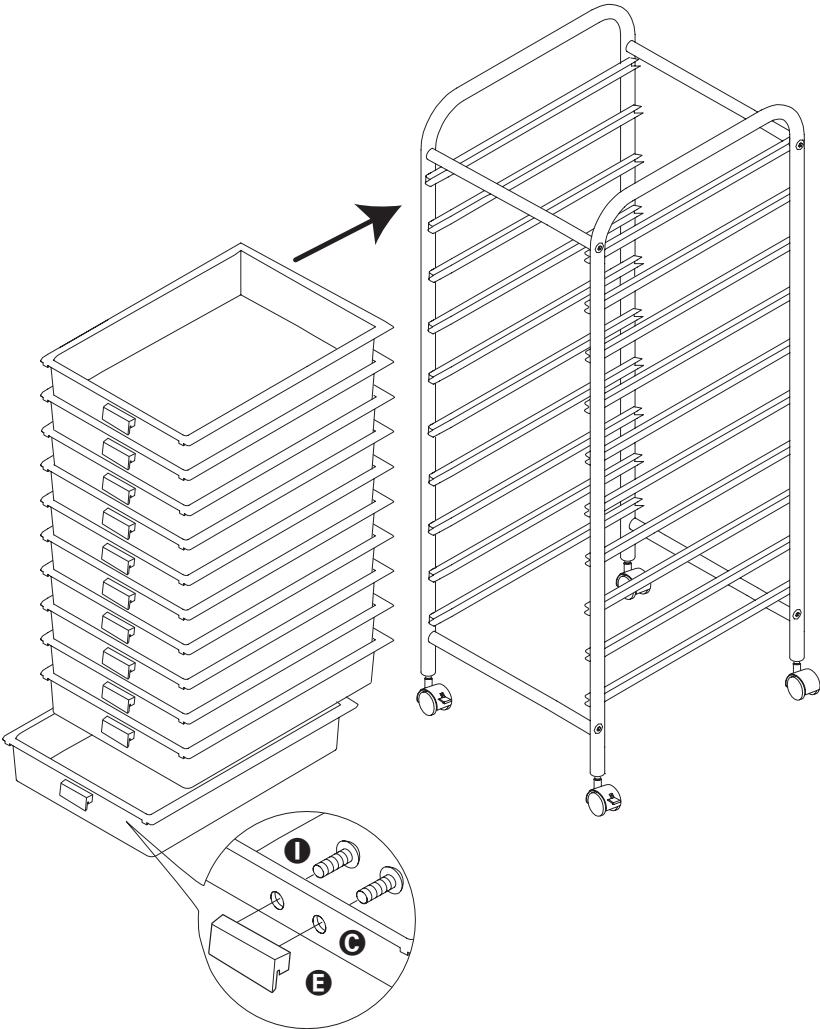
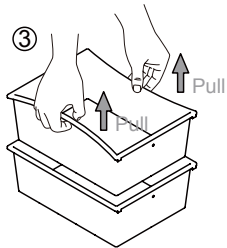
①



②

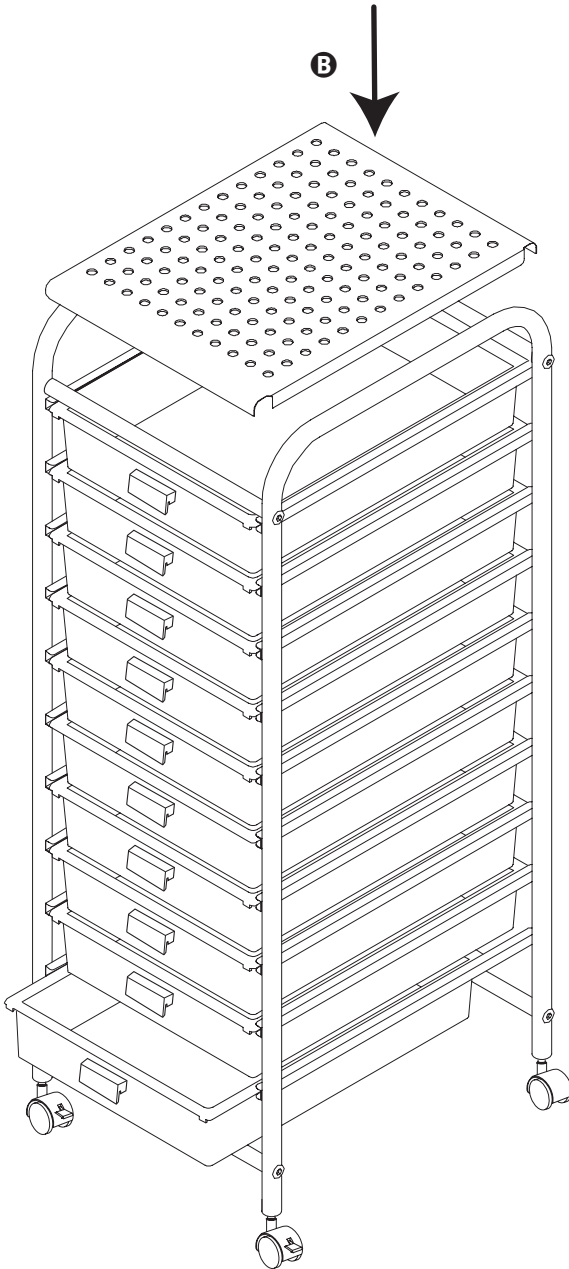


③



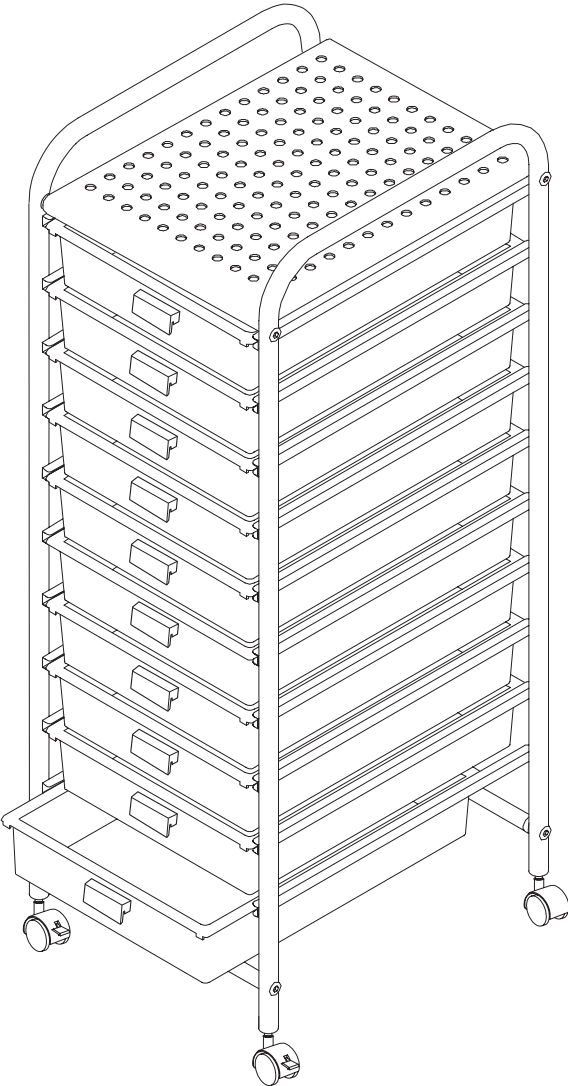
# ASSEMBLY

5



# ASSEMBLY

6





YOUR SOURCE FOR  
ORGANIZATION,  
STORAGE & STYLE

**Honey-Can-Do International**

5300 St. Charles Road, Berkeley, IL 60163 USA  
877.242.2636 | [honeycando.com](http://honeycando.com) | [customerservice@honeycando.com](mailto:customerservice@honeycando.com)  
©2020 Honey-Can-Do International, LLC | All Rights Reserved

Visit [youtube.com/myhoneycando](https://www.youtube.com/myhoneycando) to watch our assembly videos.