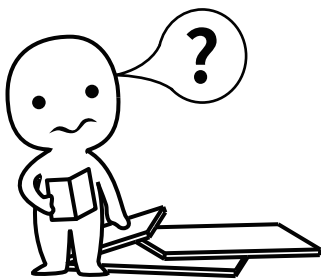


INSTALLATION

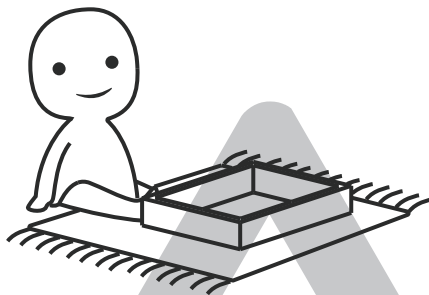
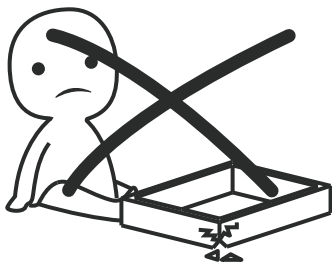
Product Manual

Version: 330127-01-24A-SCX



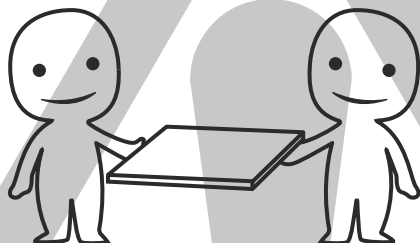
IMPORTANT INFORMATION!

please read the entire manual before starting to assemble and/or using this product. follow the manual thoroughly and keep it for further reference.



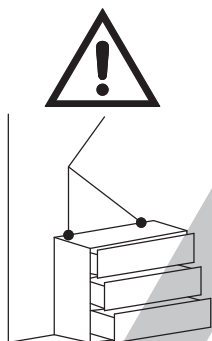
AVOID SCRATCHES!

In order to avoid scratching this furniture should be assembled on a soft layer - could be a rug.



IMPROVE EFFICIENCY !

Try to find a partner to install with you, which can speed up the installation efficiency and shorten the time.



ANTI-TOPPLE WARNING !

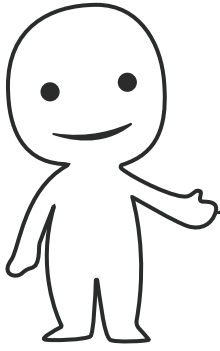
Overturned furniture can cause serious or fatal crush injuries. To prevent tipping over, be sure to use the wall attachment, if not included with this product. Please purchase the wall attachment that fit your wall. If unsure, seek professional advice. Please read and follow each step of the instructions carefully.

IMPORTANT !

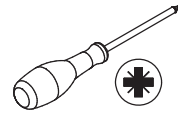
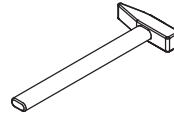
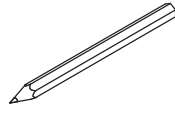
It is important that any product which is assembled using any kind of screw is re-tightened 2 weeks after assembly, and once every 3 months - in order to assure stability through-out the lifespan of the product.

For regular maintenance and cleaning of the product, for the frame, please use a rag dipped in neutral detergent to fully wipe it, and then dry it with a clean rag. For glass materials, wipe with a rag dampened with water glass cleaner, and then dry with a dry rag.

Do not use an electric screwdriver, and do not use too much force when installing, because the board is easy to break.

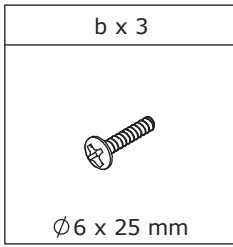


Please prepare the following tools

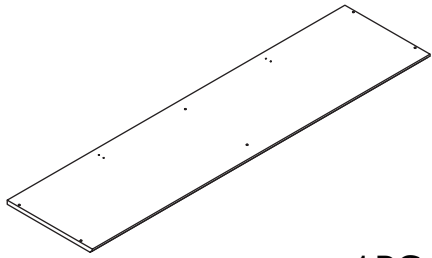


When installing, please carefully confirm whether each screw corresponds to the manual, accessories with similar shapes can be distinguished by size

A x 4 L 300 mm	B x 4 L 300 mm	C x 4 L 300 mm	D x 4 L 300 mm	E x 50+1 Ø 3 x 12 mm
F x 65+1 Ø 6 x 35 mm	G x 20+1 Ø 4 x 30 mm	H x 65+1 Ø 15 x 10 mm	J x 16+1 Ø 6 x 30 mm	K x 48+1 Ø 8 x 30 mm
L x 12+1 Ø 4 x 35 mm	M x 1 	N x 6+1 Ø 4 x 50 mm	P x 14 	Q x 88+1 Ø 4 x 14 mm
R x 10 	S x 6+1 Ø 4 x 18 mm	T x 4 Ø 4 x 8 mm	U x 12 	V x 2
W x 2 	X x 2 Ø 4 x 40 mm	Y x 32+1 Ø 3 x 14 mm	Z x 30 	a x 2

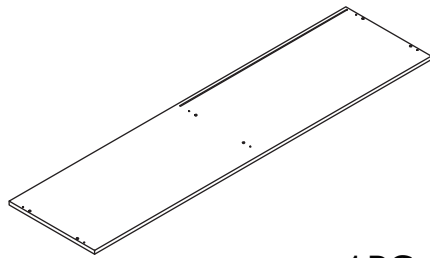


①



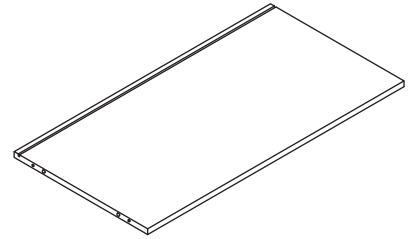
1PC

②



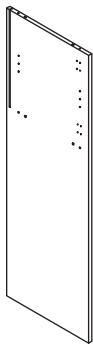
1PC

③



1PC

④



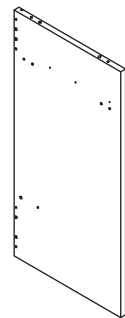
1PC

⑤



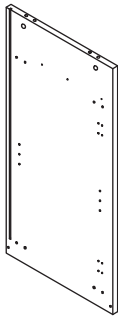
1PC

⑥



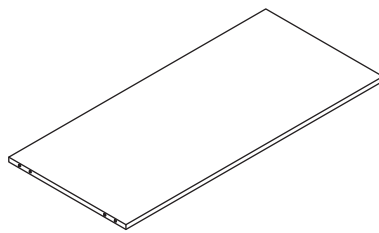
1PC

⑦



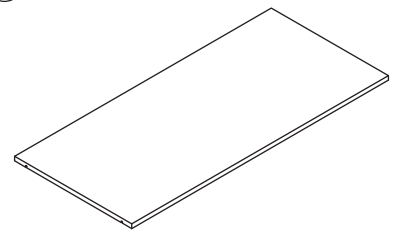
1PC

⑧



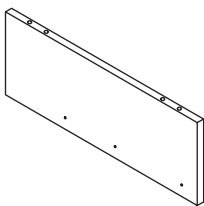
1PC

⑨



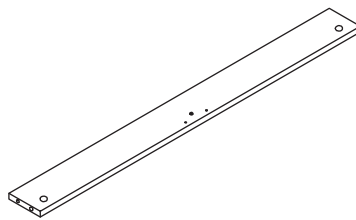
2PCS

⑩



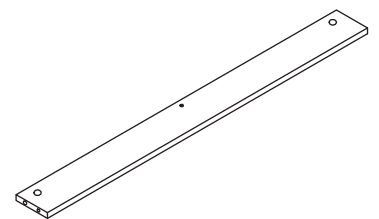
2PCS

⑪

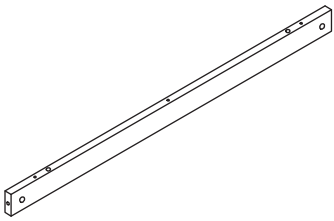

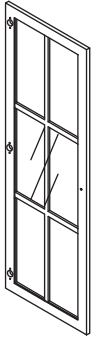


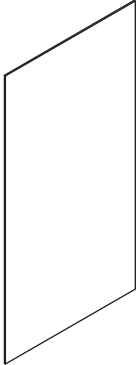

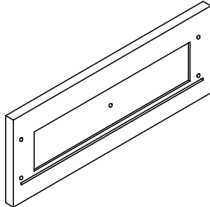
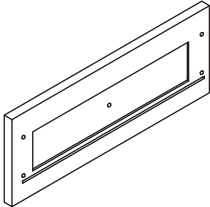
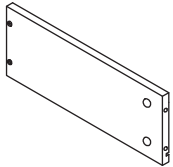
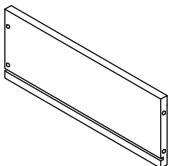
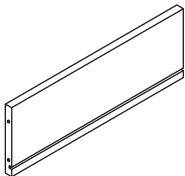
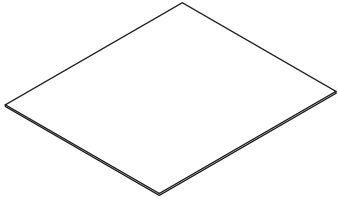
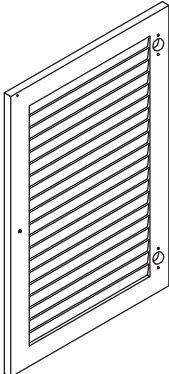
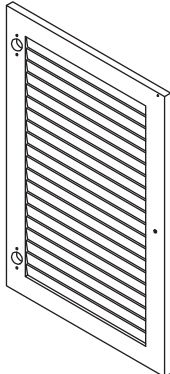


1PC

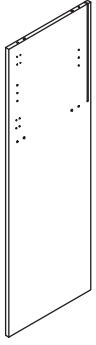
⑫



3PCS

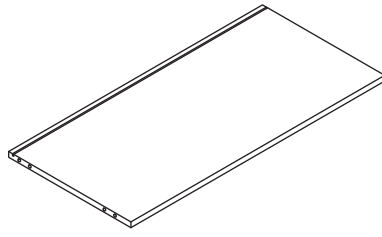
<p>⑬</p>  <p>2PCS</p>	<p>⑭</p>  <p>1PC</p>	<p>⑮</p>  <p>1PC</p>
<p>⑯</p>  <p>2PCS</p>	<p>⑰</p>  <p>1PC</p>	<p>⑱</p>  <p>2PCS</p>
<p>⑲</p>  <p>1PC</p>	<p>⑳</p>  <p>2PC</p>	<p>㉑</p>  <p>2PC</p>
<p>㉒</p>  <p>4PCS</p>	<p>㉓</p>  <p>4PCS</p>	<p>㉔</p>  <p>4PCS</p>
<p>㉕</p>  <p>4PCS</p>	<p>㉖</p>  <p>1PC</p>	<p>㉗</p>  <p>1PC</p>
<p>5/44</p>		

38



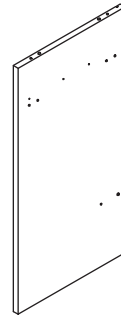
1PC

29



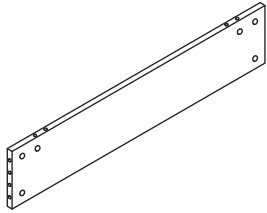
1PC

30



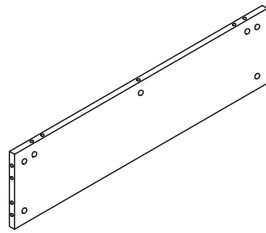
1PC

31



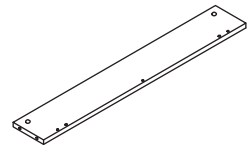
1PC

32



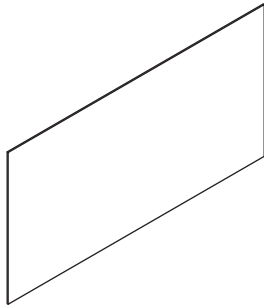
1PC

33



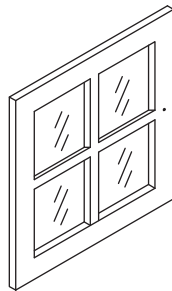
1PC

34



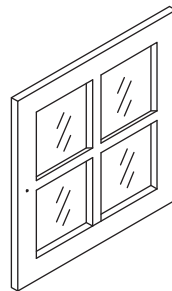
1PC

35



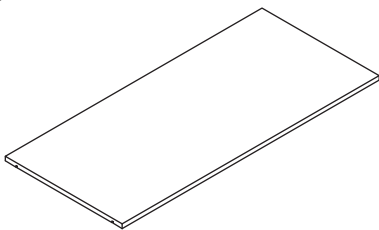
1PC

36



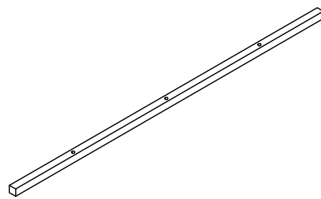
1PC

37

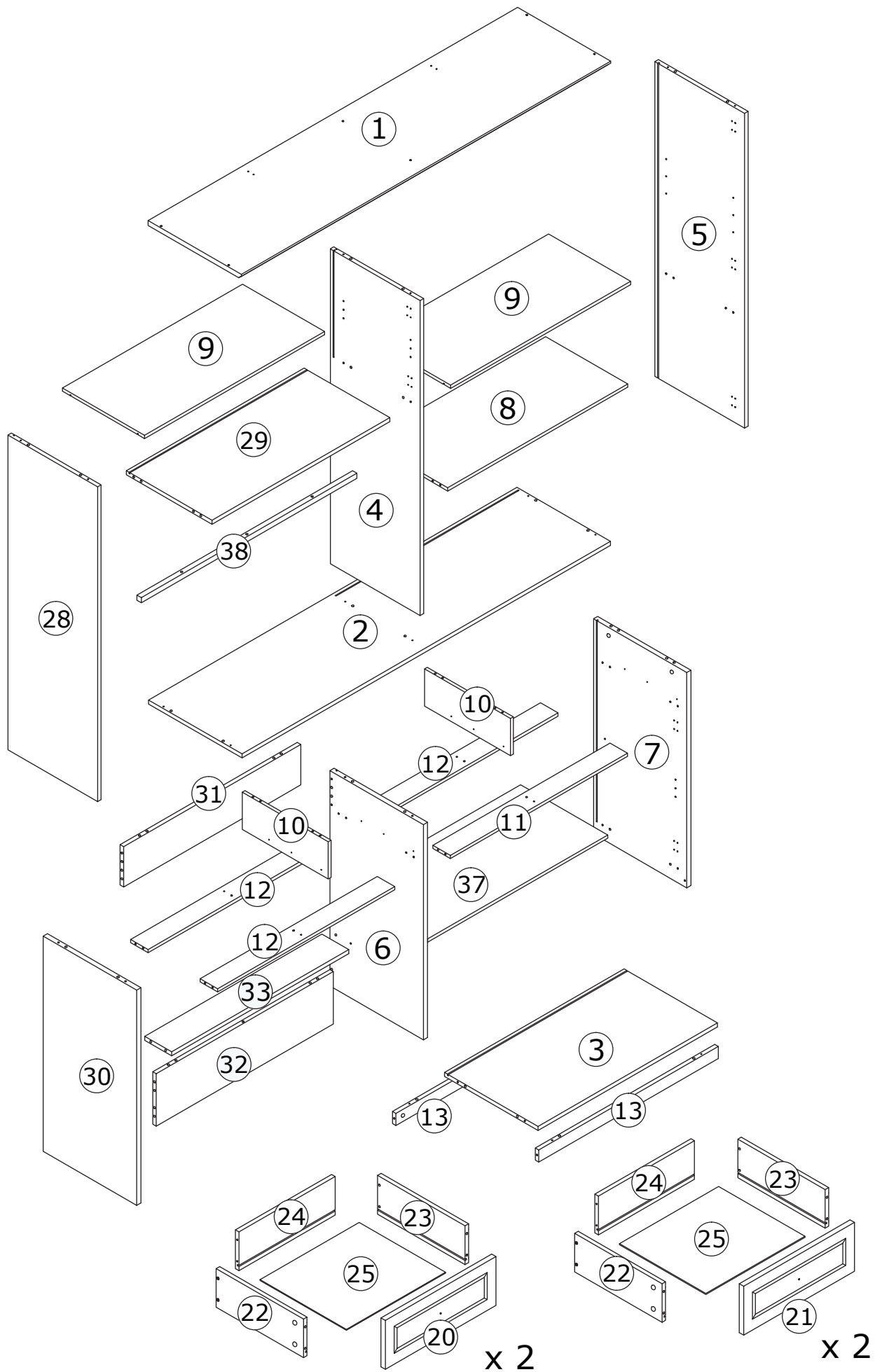


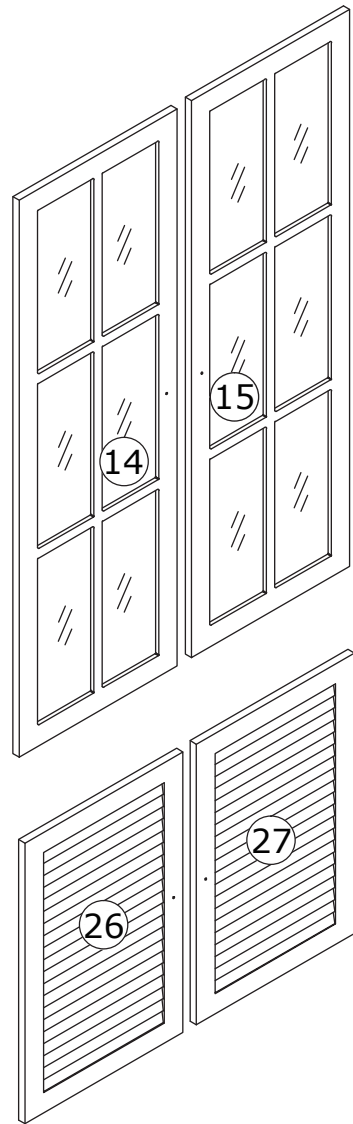
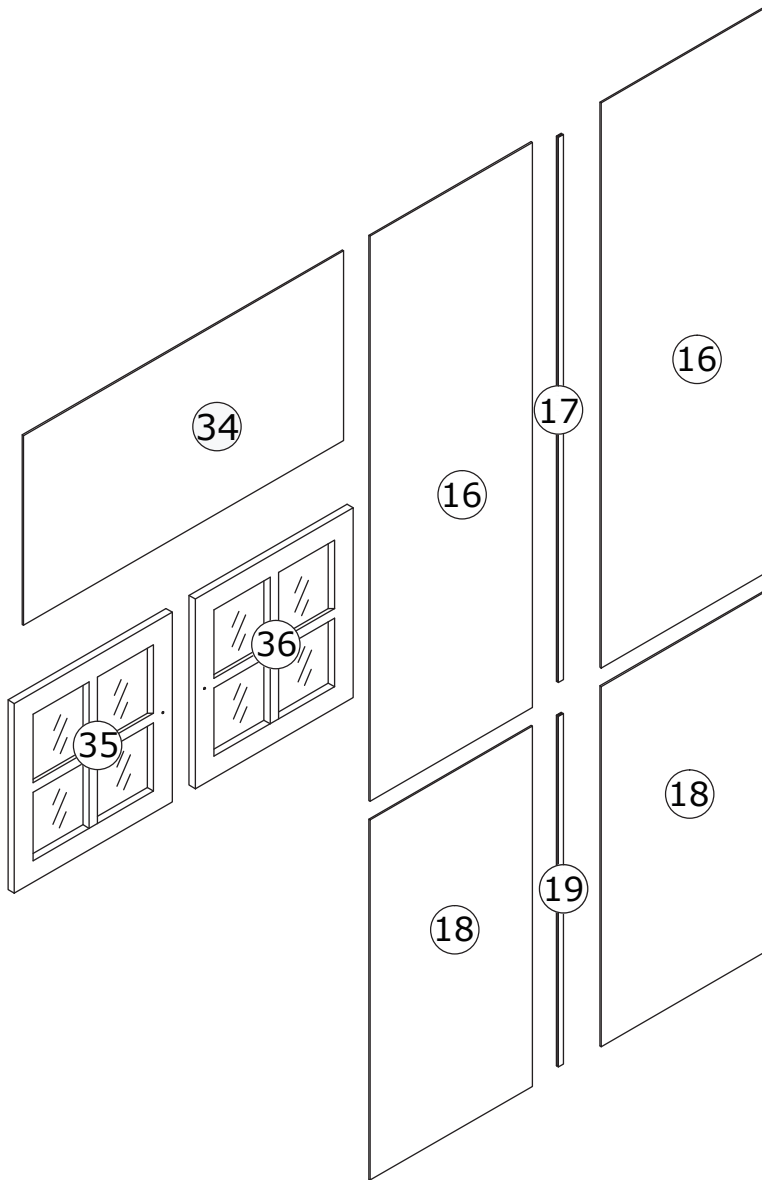
1PC

38



1PC





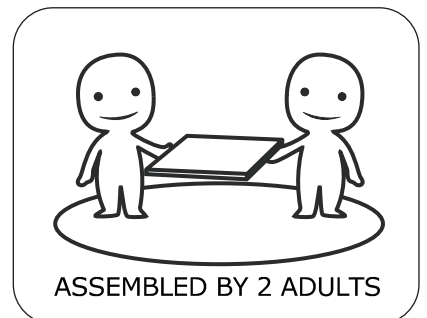
⚠ WARNING



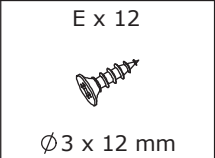
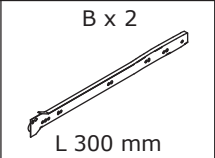
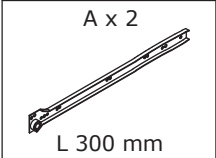
Children have died from furniture tipover. To reduce the risk of furniture tipover:

- ALWAYS install Anti-tip device provided.
- NEVER put a TV on this product.
- NEVER allow children to stand, climb or hang on drawers, doors, or shelves.
- NEVER open more than one drawer at a time.
- Place heaviest items in the lowest drawers.

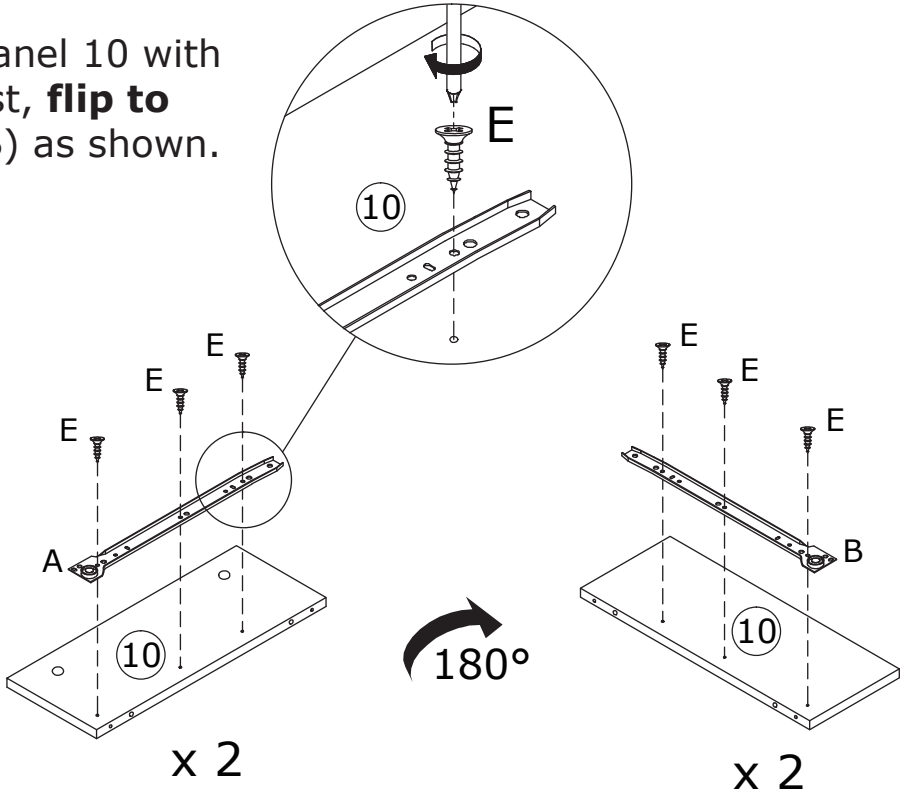
*This is a permanent label.
Do not remove!*



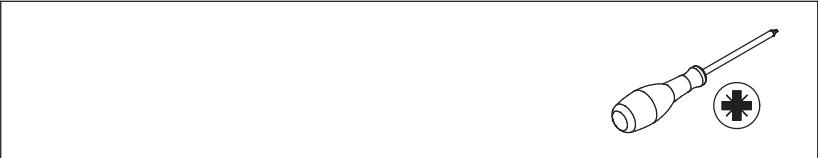
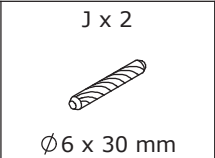
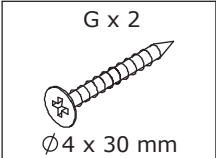
1



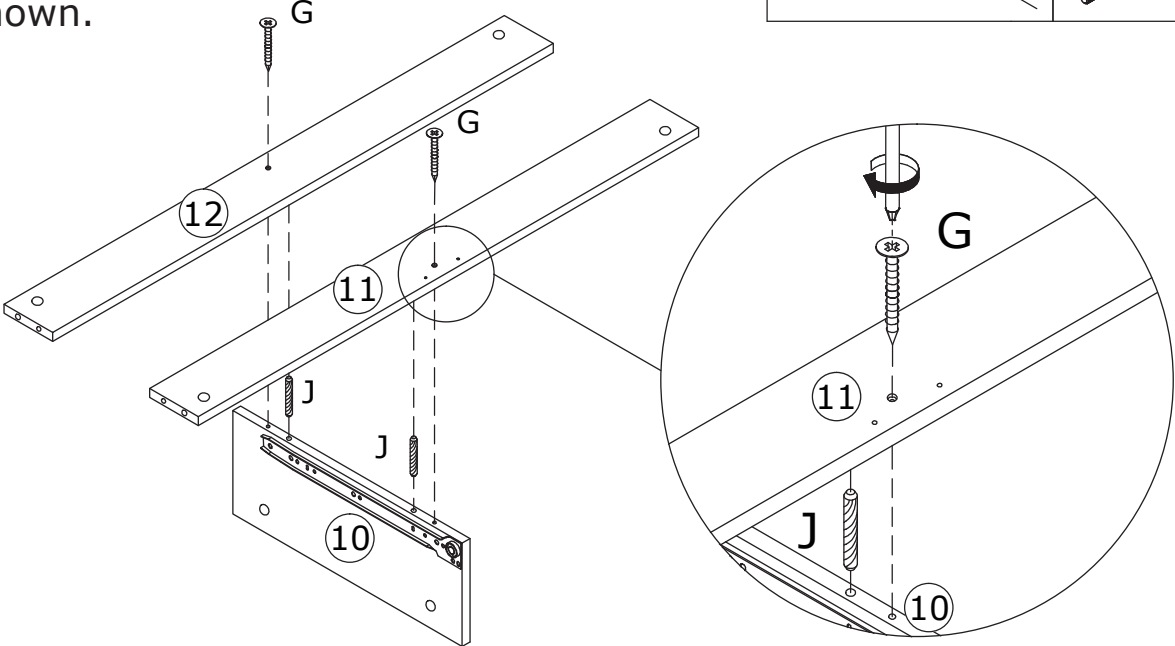
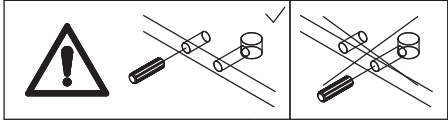
Fix rail(A) to panel 10 with screw(E) at first, **flip to back**, fix rail(B) as shown.



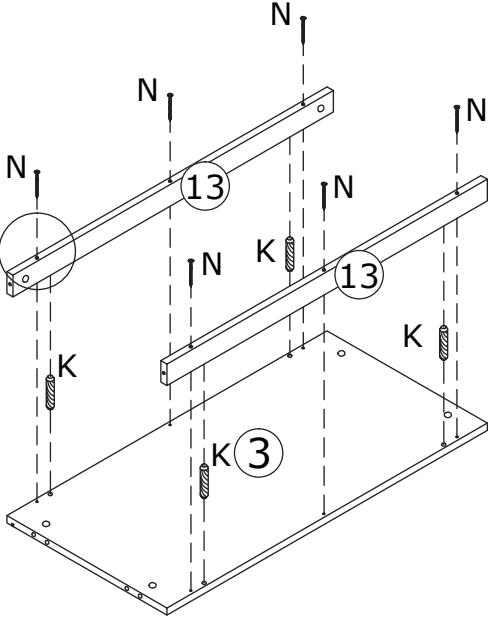
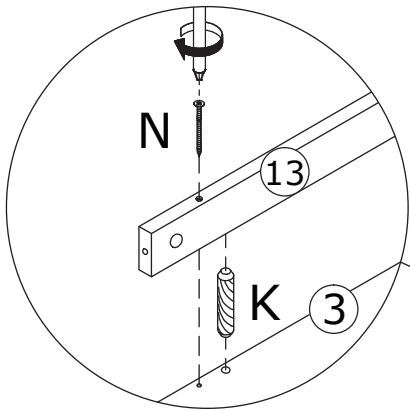
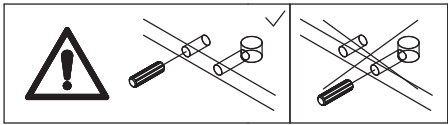
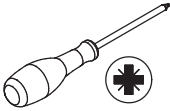
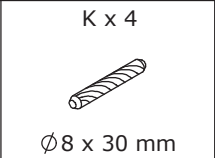
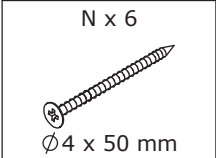
2



Attach panel 11 and 12 to panel 10 using wooden dowel(J) and fix with screw(G) as shown.

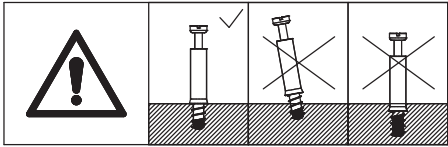
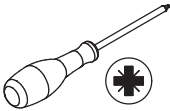
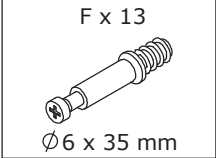


3

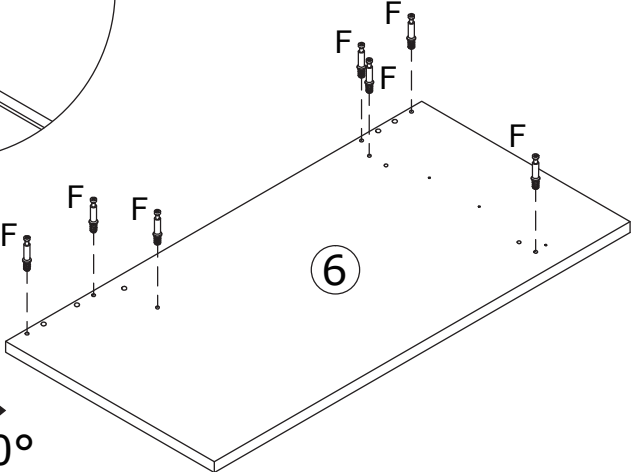
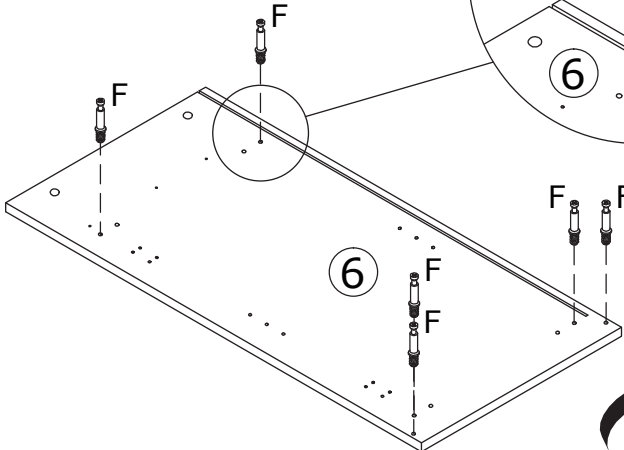
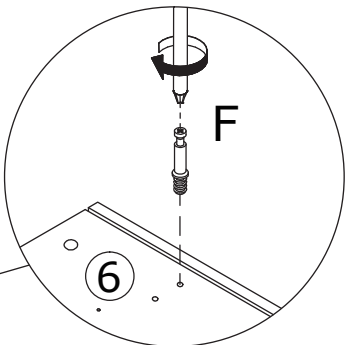


Attach panel 13 to panel 3 using wooden dowel(K) and fix with screw(N) as shown.

4

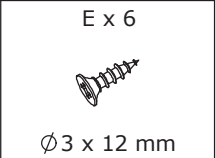
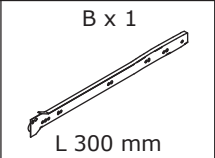
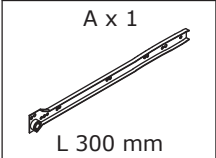


Screw eccentric rod(F) into panel 6 at first, **flip to back**, screw eccentric rod(F) as well.

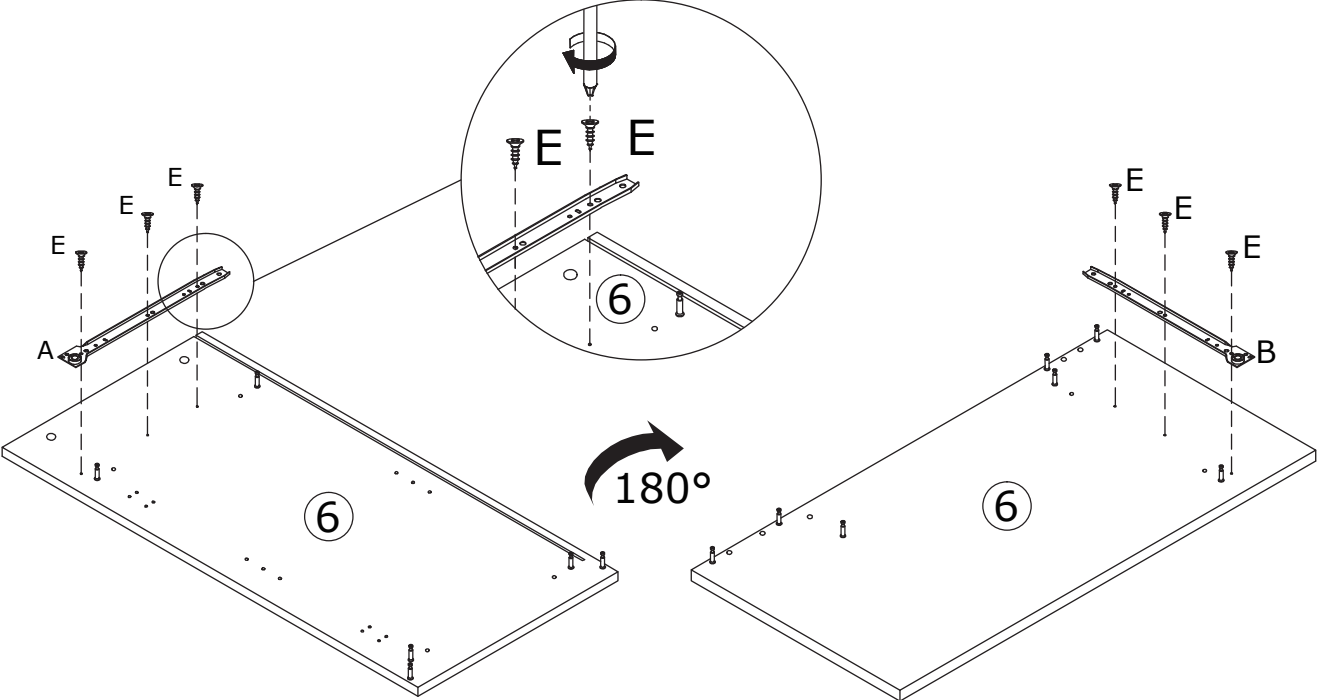


180°
10/44

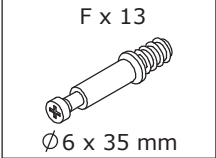
5



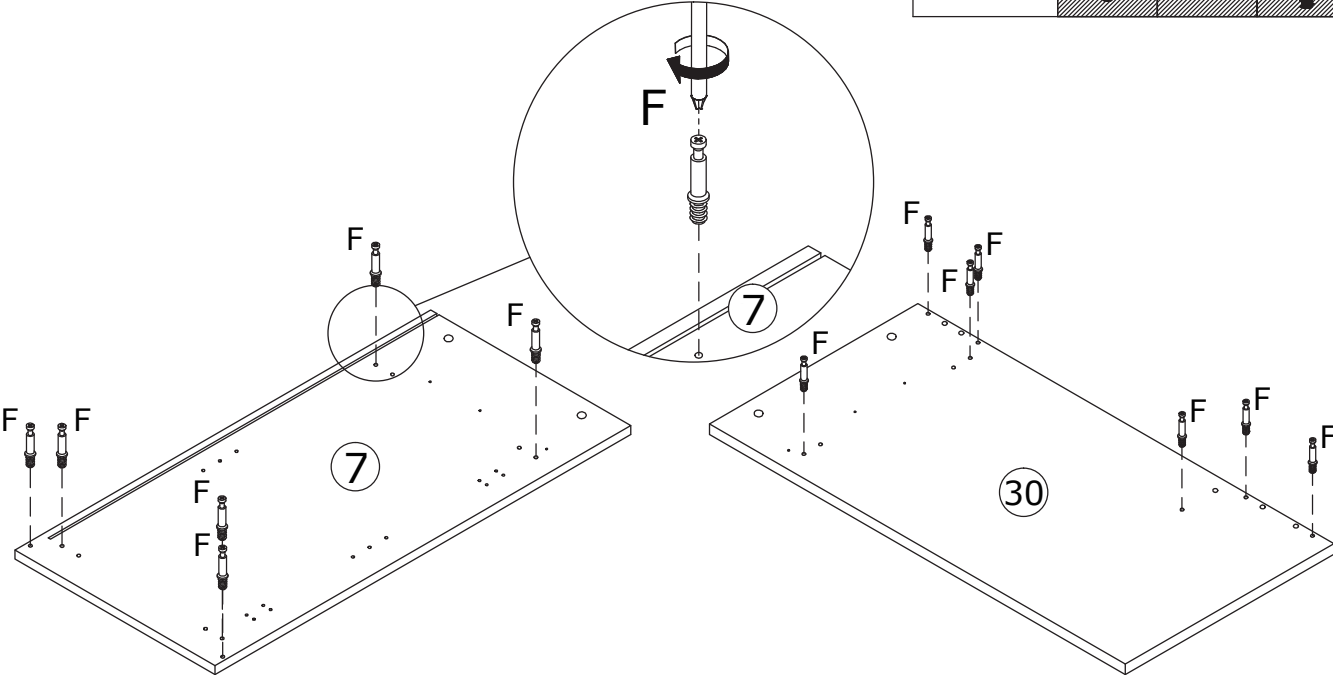
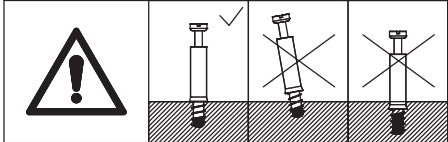
Fix rail(A) to panel 6 with screw(E) at first, **flip to back**, fix rail(B) as shown.




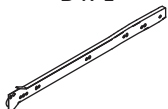

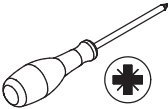
6



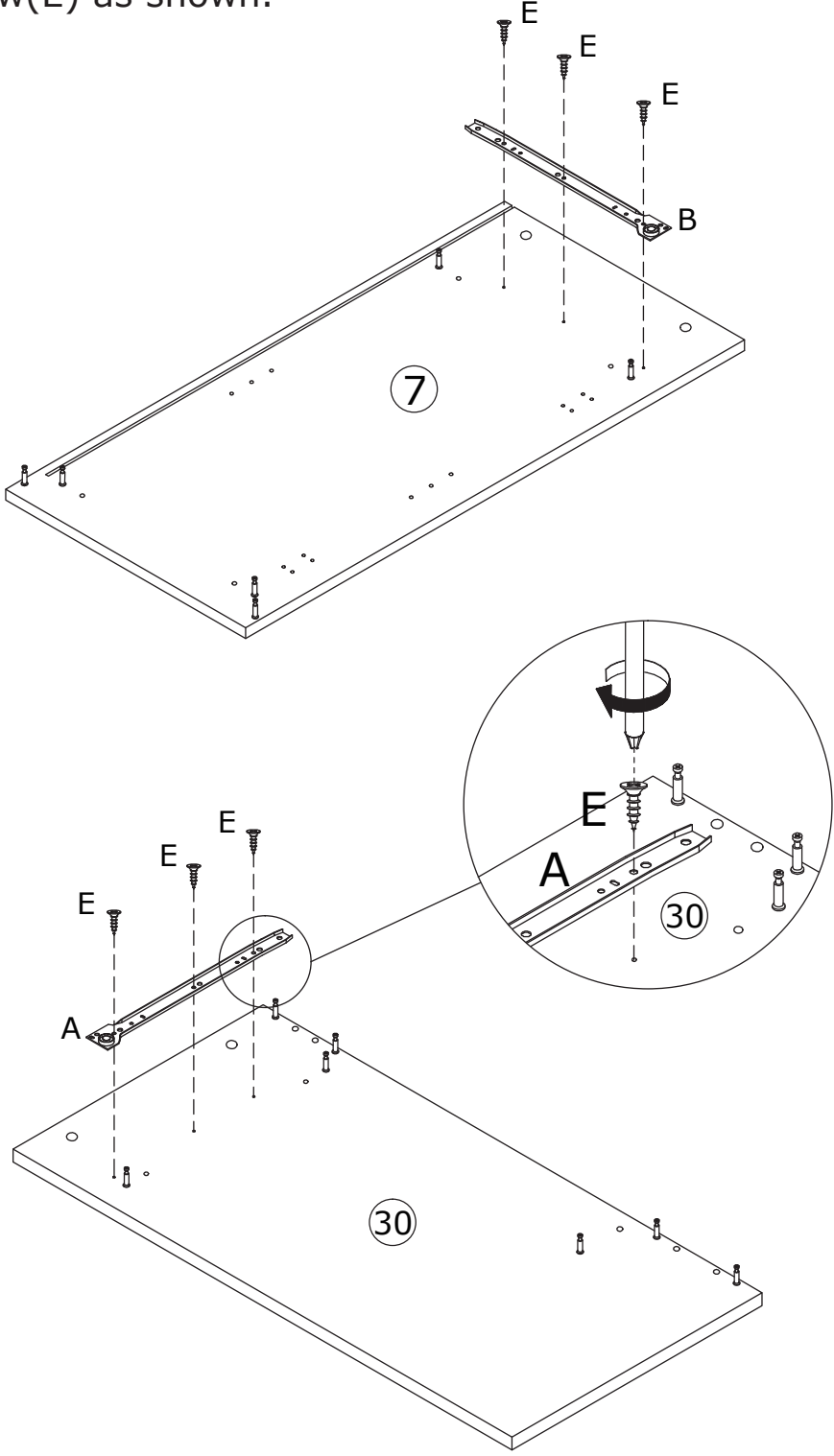
Screw eccentric rod(F) into panel 7 and 30 at first.






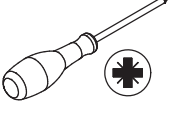
7

A x 1  L 300 mm	B x 1  L 300 mm	E x 6  Ø3 x 12 mm	
--	--	--	---

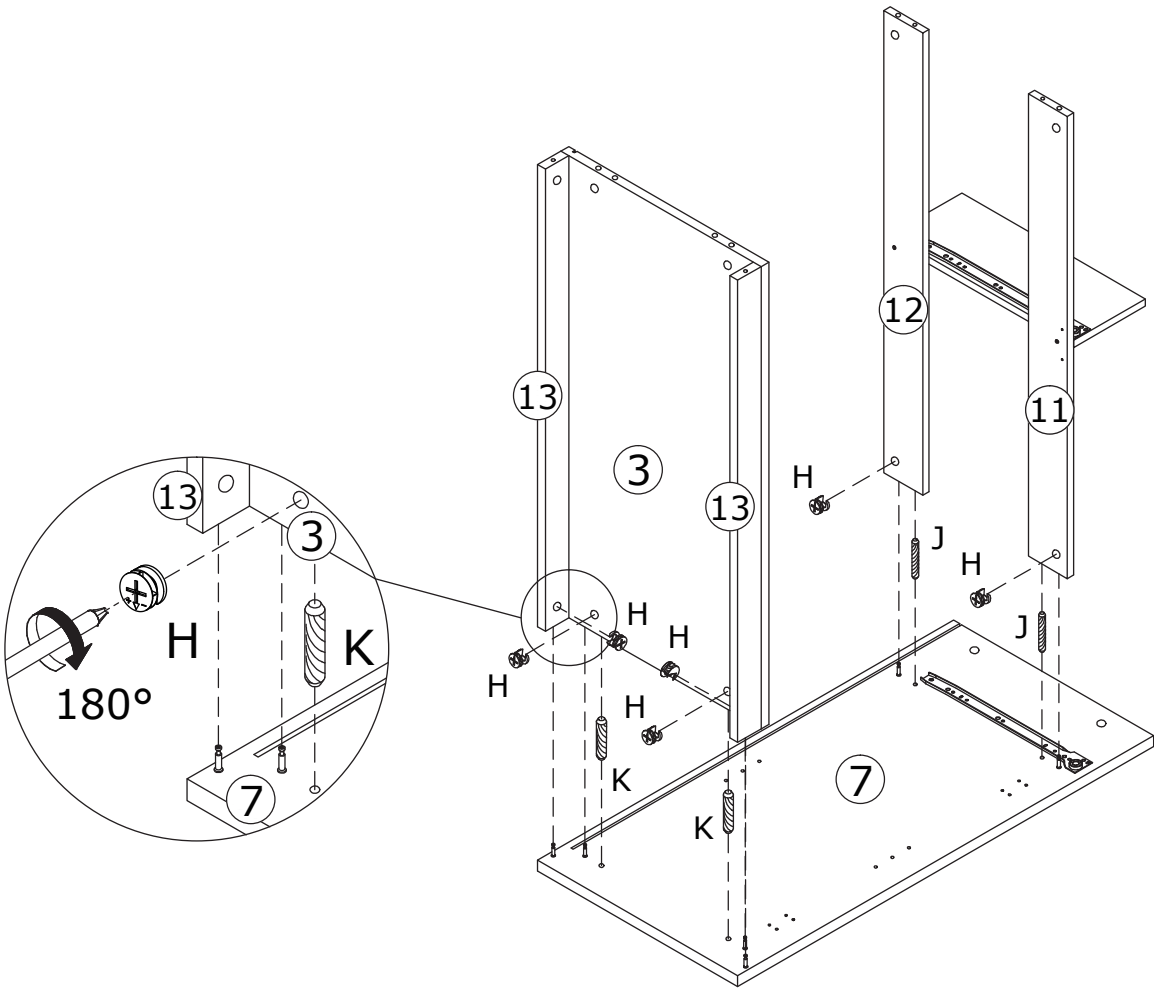
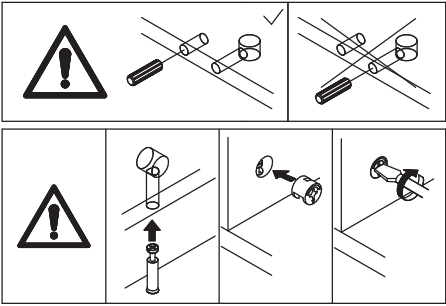
Fix rail(A) and (B) to panel 30 and 7 with screw(E) as shown.






8

<p>H x 6</p>  <p>Ø15 x 10 mm</p>	<p>J x 2</p>  <p>Ø6 x 30 mm</p>	<p>K x 2</p>  <p>Ø8 x 30 mm</p>	
---	--	--	---

Insert wooden dowel(J) into panel 11 and 12, wooden dowel(K) into panel 3 at first.
Attach panel 7 to panel 11, 12, 13 and 3, add cam lock(H) into and turn clockwise to tighten as shown.

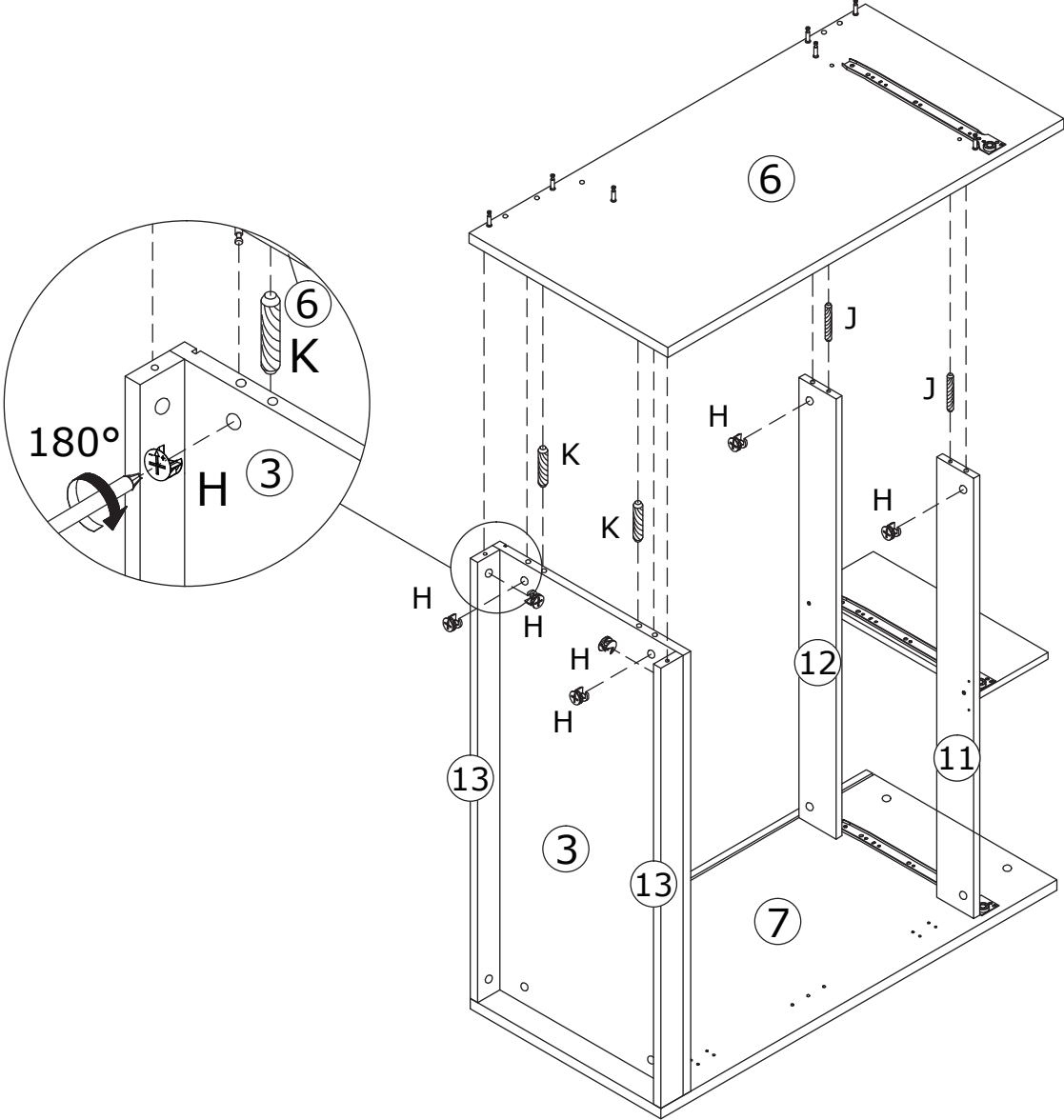
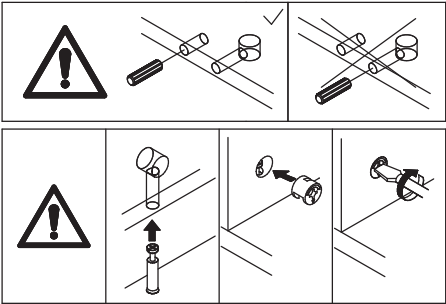


9

H x 6  Ø15 x 10 mm	J x 2  Ø6 x 30 mm	K x 2  Ø8 x 30 mm
---	--	--



Insert wooden dowel(J) into panel 11 and 12, wooden dowel(K) into panel 3 at first.
Attach panel 6 to panel 11, 12, 13 and 3, add cam lock(H) into and turn clockwise to tighten as shown.



10

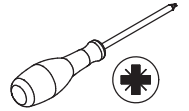
M x 1



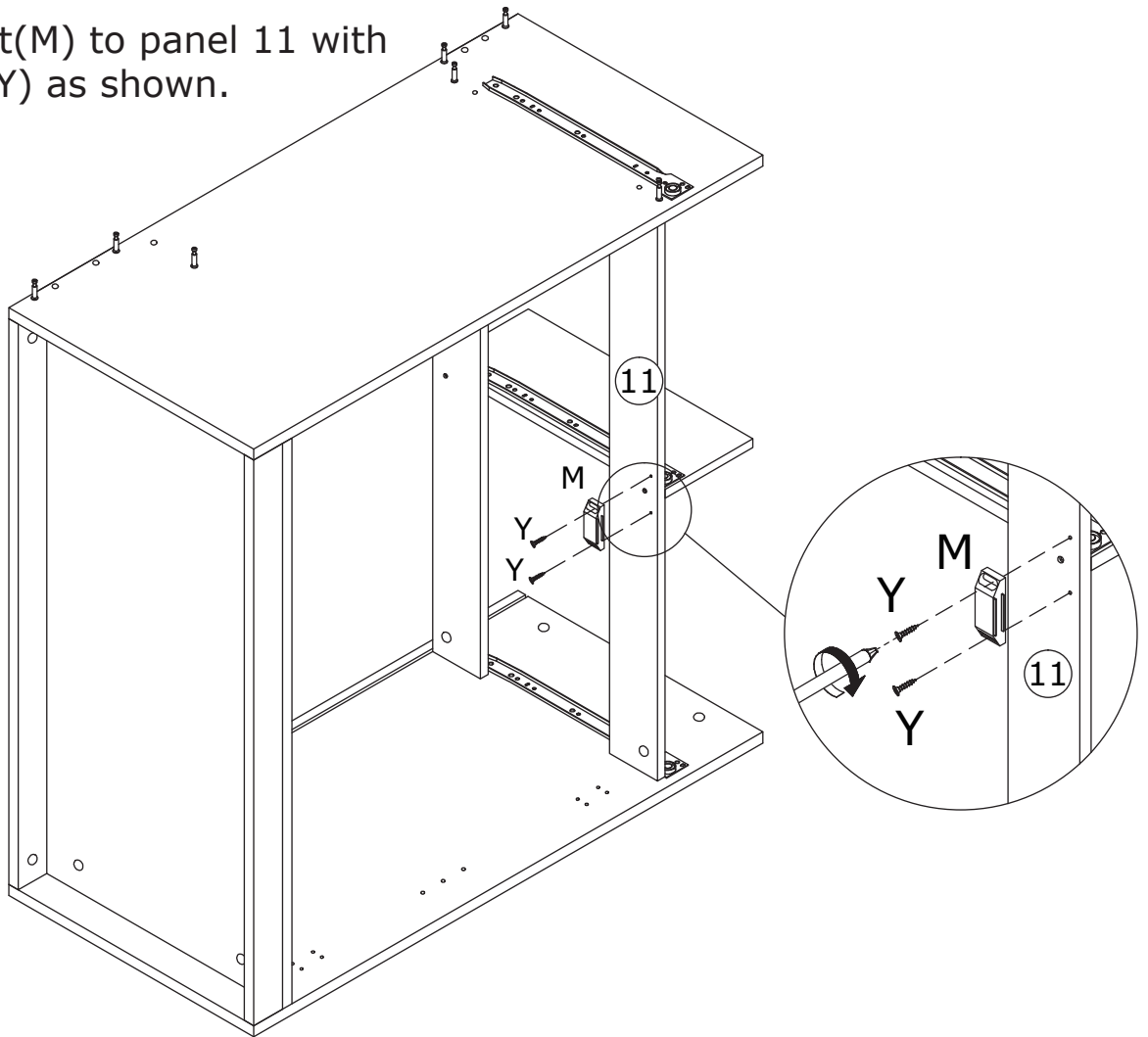
Y x 2



Ø3 x 14 mm

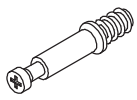


Fix part(M) to panel 11 with screw(Y) as shown.

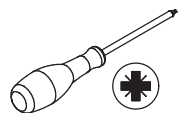


11

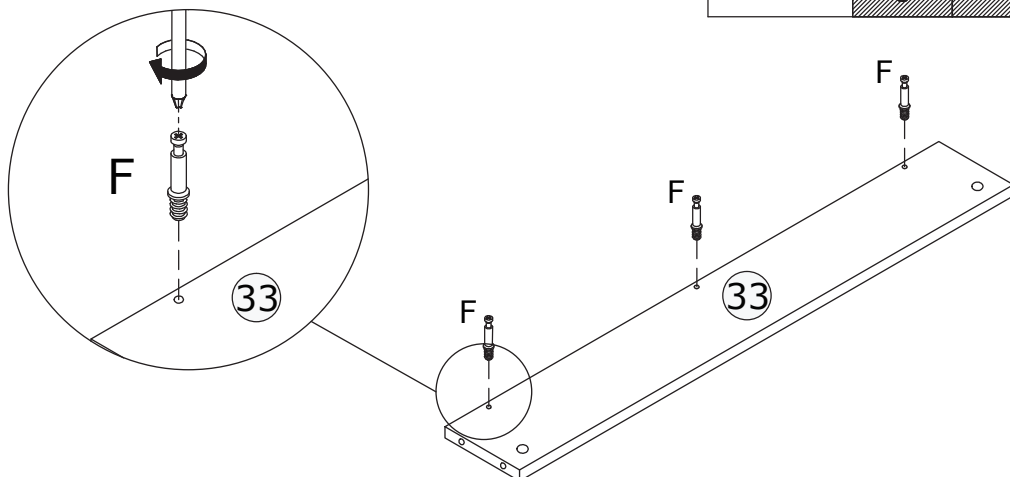
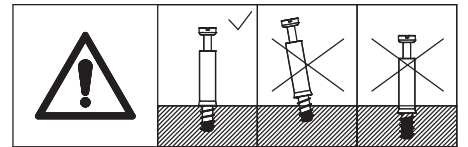
F x 3



Ø6 x 35 mm



Screw eccentric rod(F) into panel 33 at first.



12

H x 3

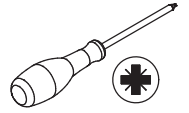


Ø15 x 10 mm

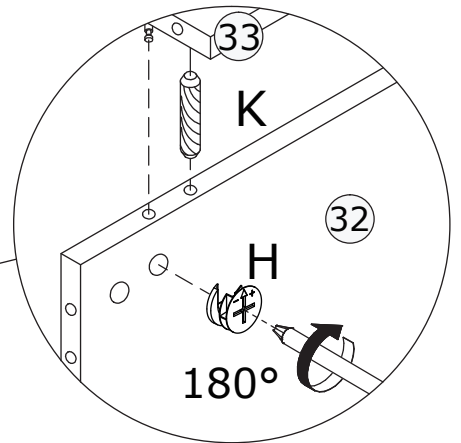
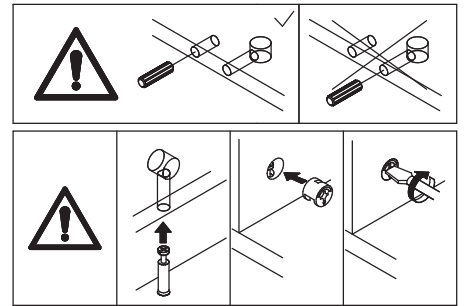
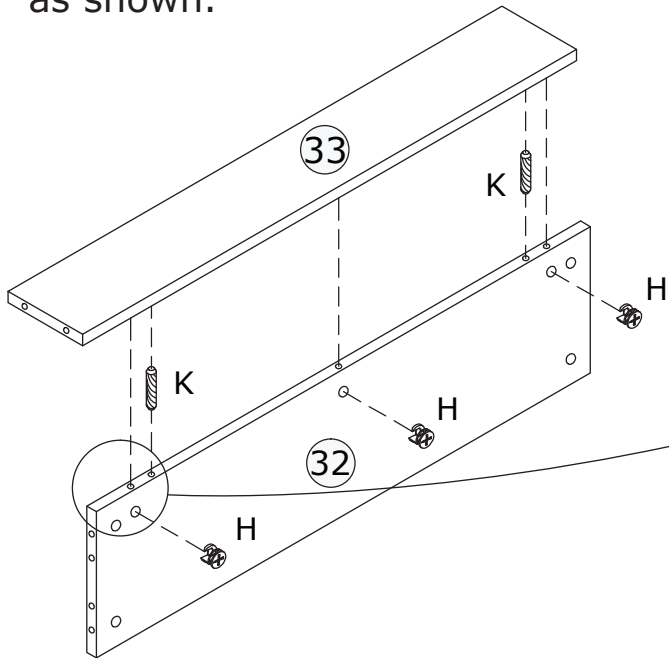
K x 2



Ø8 x 30 mm

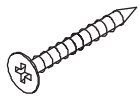


Attach panel 33 to panel 32 using wooden dowel(K), add cam lock(H) into and turn clockwise to tighten as shown.



13

G x 2

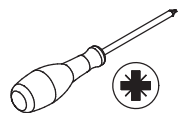


Ø4 x 30 mm

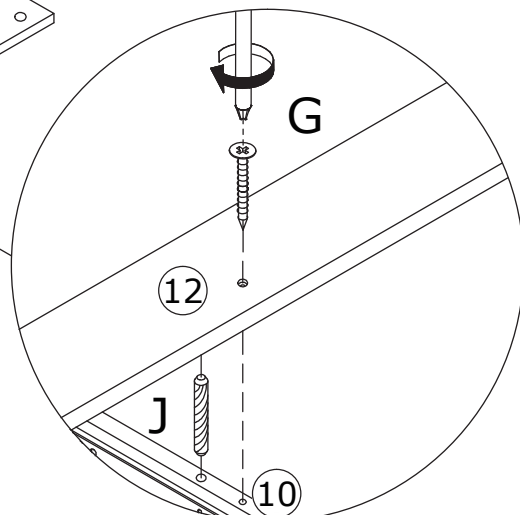
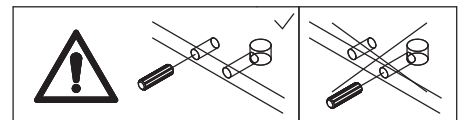
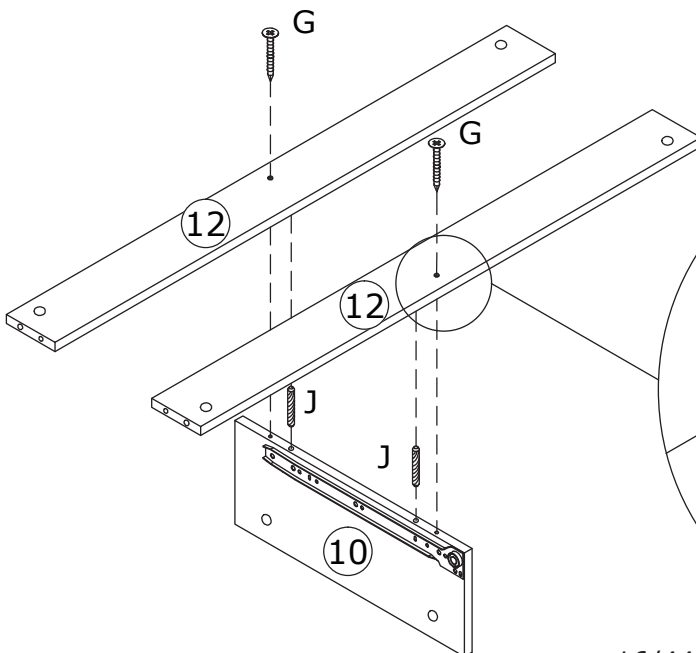
J x 2



Ø6 x 30 mm



Attach panel 12 to panel 10 using wooden dowel(J) and fix with screw(G) as shown.



14

H x 2

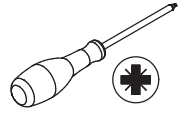


Ø15 x 10 mm

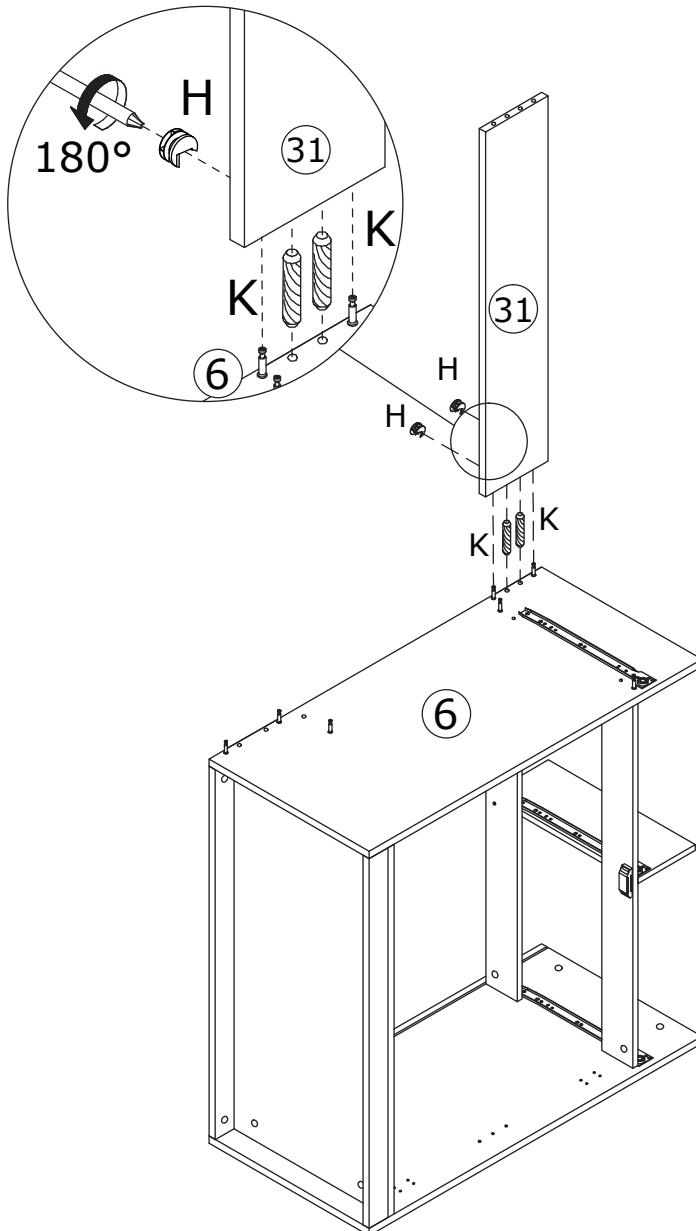
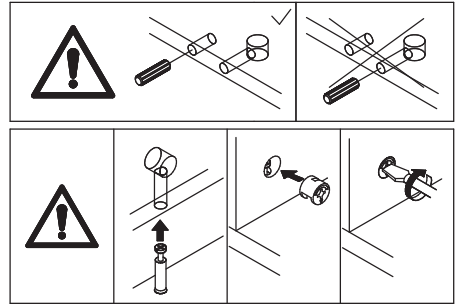
K x 2






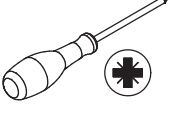
Ø8 x 30 mm



Attach panel 31 to panel 6 using wooden dowel(K), add cam lock(H) into and turn clockwise to tighten as shown.

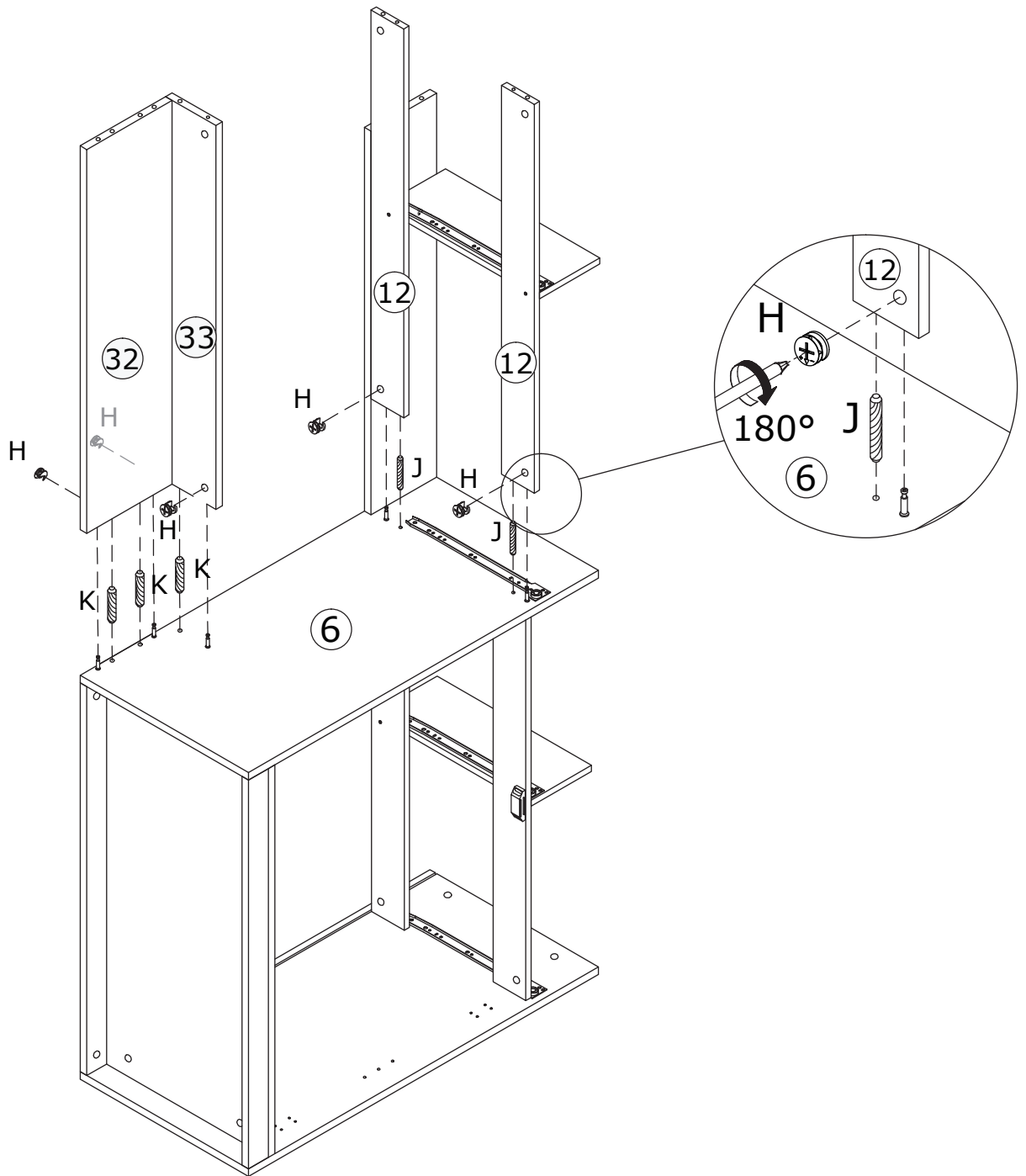
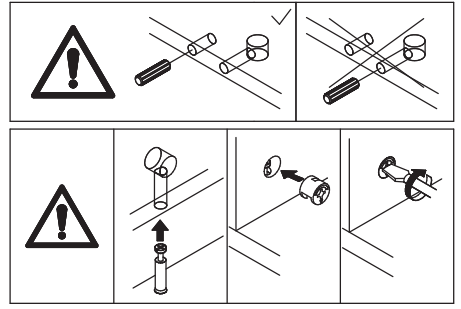


15




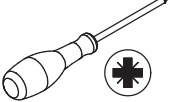
H x 5  Ø15 x 10 mm	J x 2  Ø6 x 30 mm	K x 3  Ø8 x 30 mm	
---	--	--	---

Insert wooden dowel(J) into panel 12,
wooden dowel(K) into panel 32 and 33
at first.

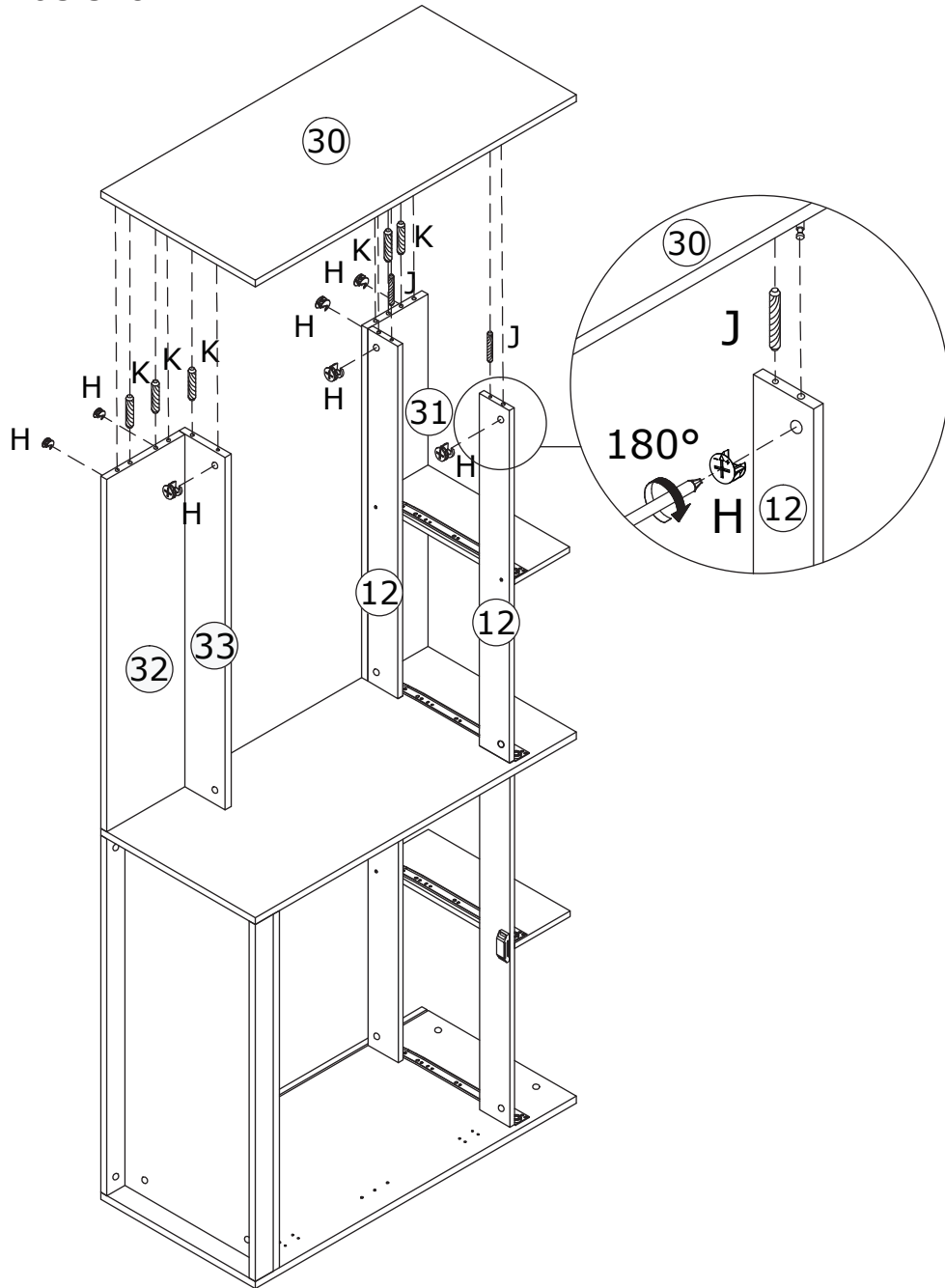
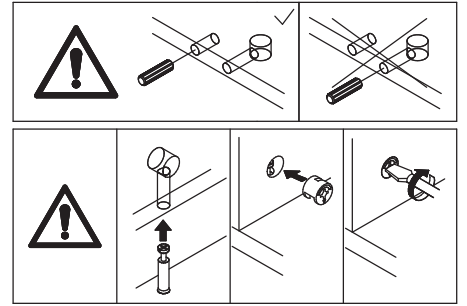
Attach panel 6 to panel 12, 32 and 33,
add cam lock(H) into and turn clockwise
to tighten as shown.



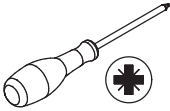
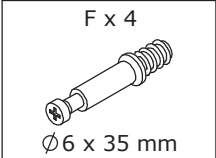
16

 H x 7 Ø15 x 10 mm	 J x 2 Ø6 x 30 mm	 K x 5 Ø8 x 30 mm	
---	--	--	---

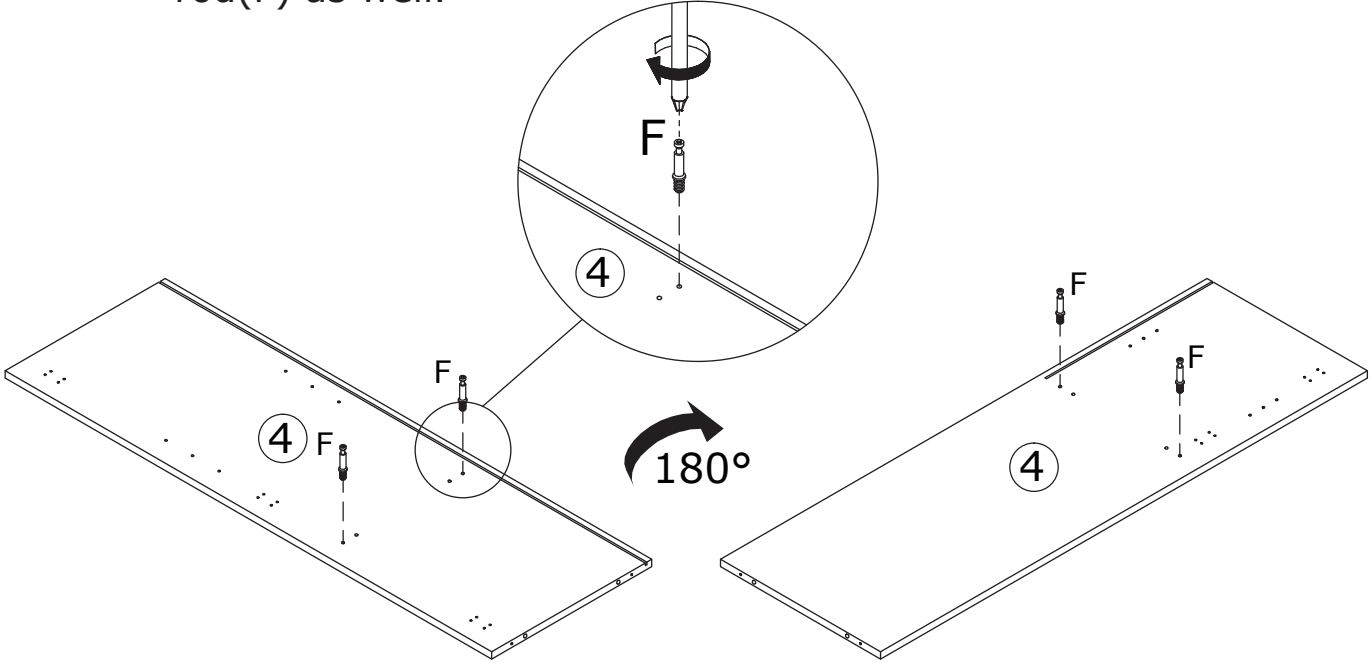
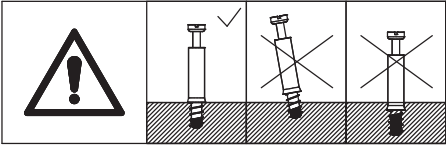
Insert wooden dowel(J) into panel 12,
wooden dowel(K) into panel 32 and 33
at first.
Attach panel 30 to panel 12, 32 and 33,
add cam lock(H) into and turn clockwise
to tighten as shown.



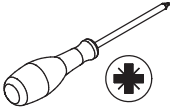
17



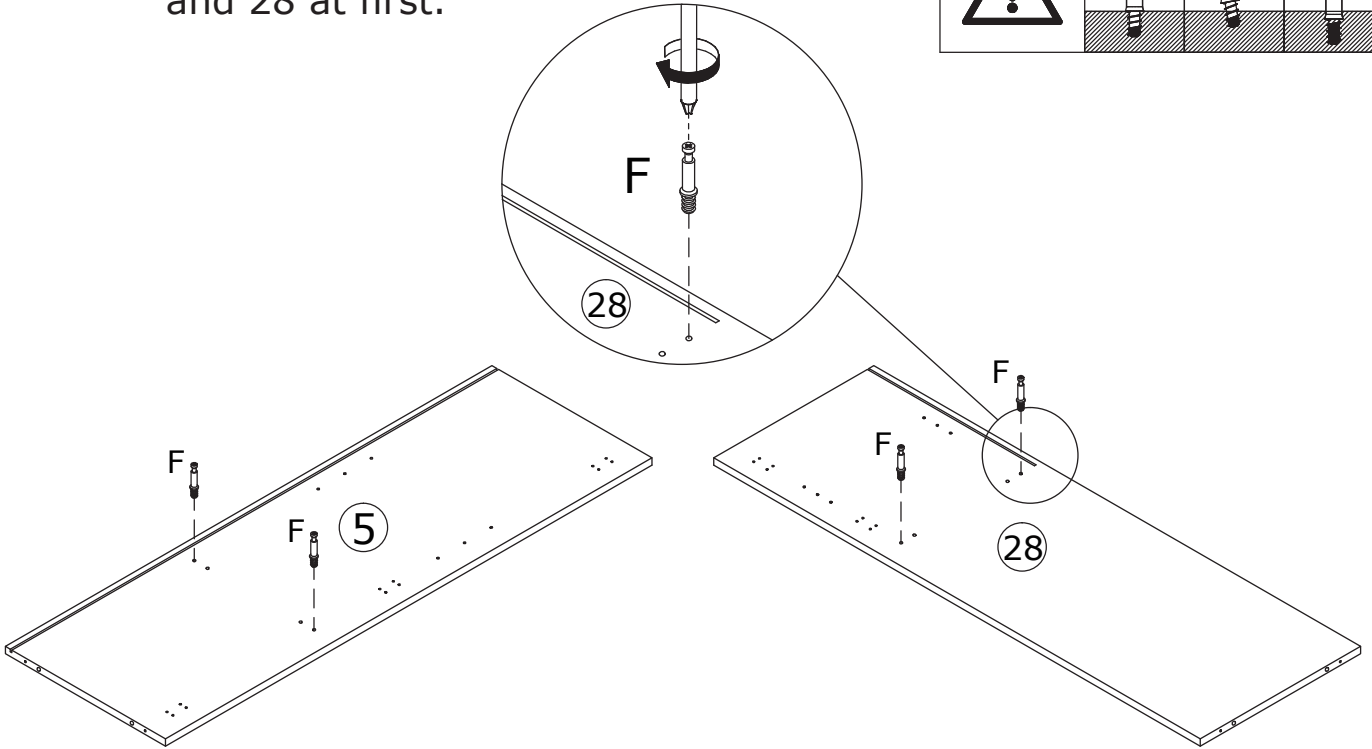
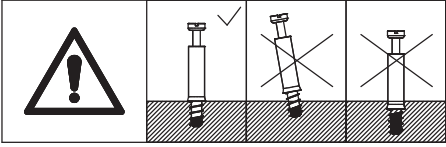
Screw eccentric rod(F) into panel 4 at first, **flip to back**, screw eccentric rod(F) as well.



18



Screw eccentric rod(F) into panel 5 and 28 at first.



19

H x 4

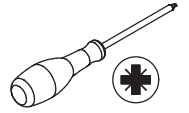


Ø15 x 10 mm

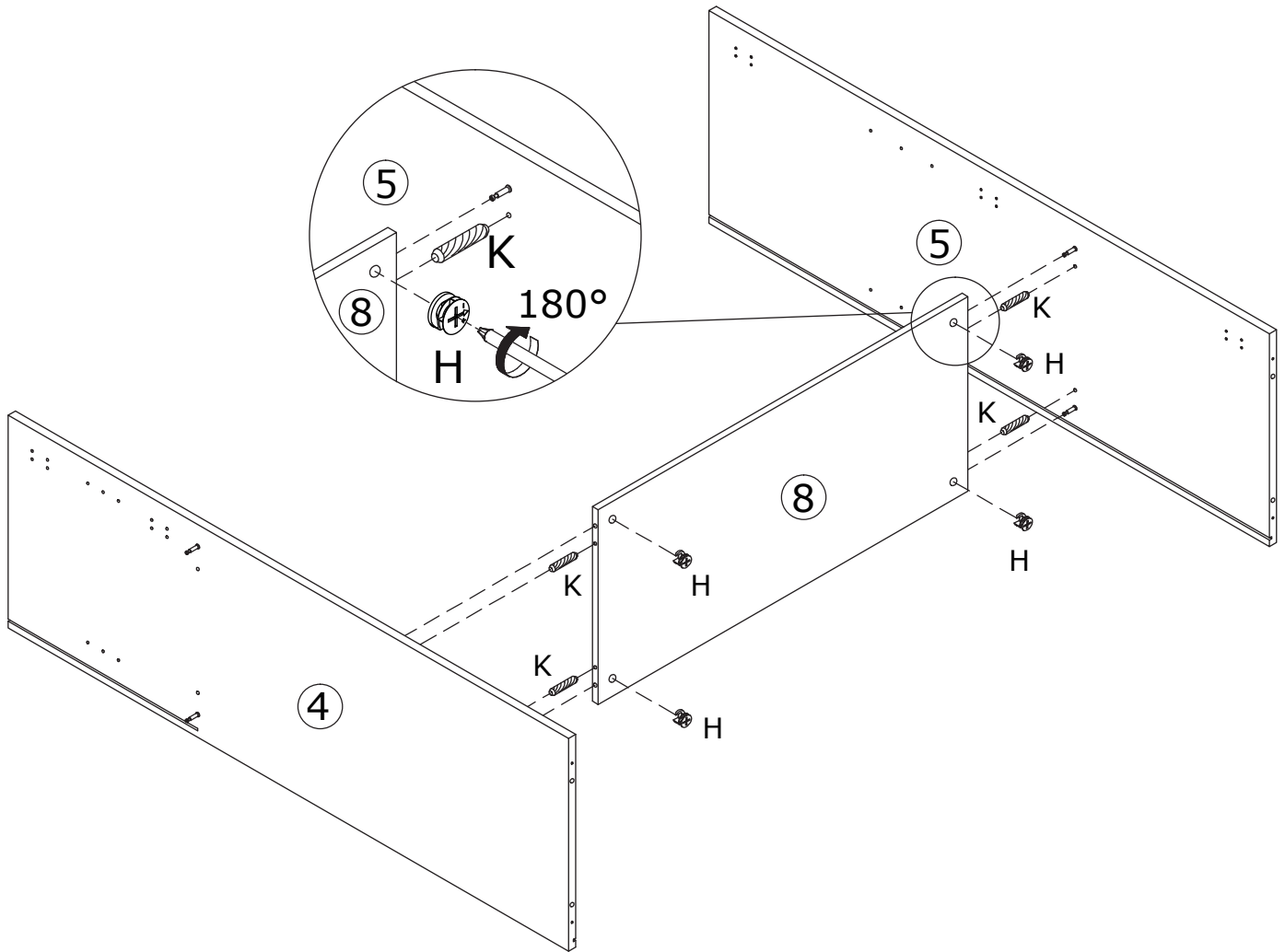
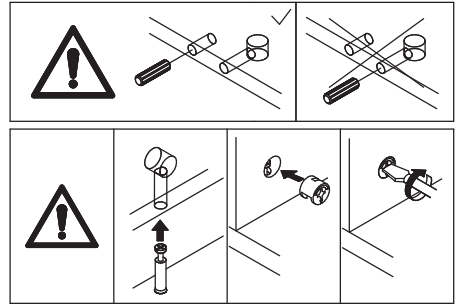
K x 4



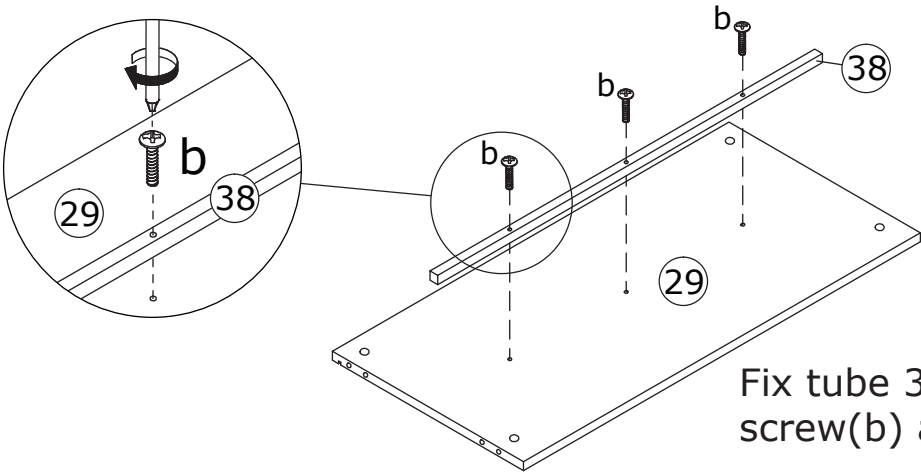
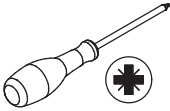
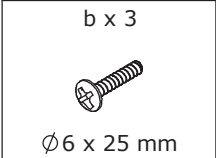
Ø8 x 30 mm



Connect panel 4 and 5 to panel 8 using wooden dowel(K), add cam lock(H) into and turn clockwise to tighten as shown.

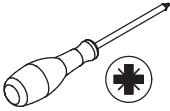
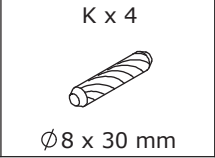
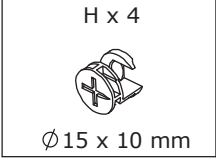


20

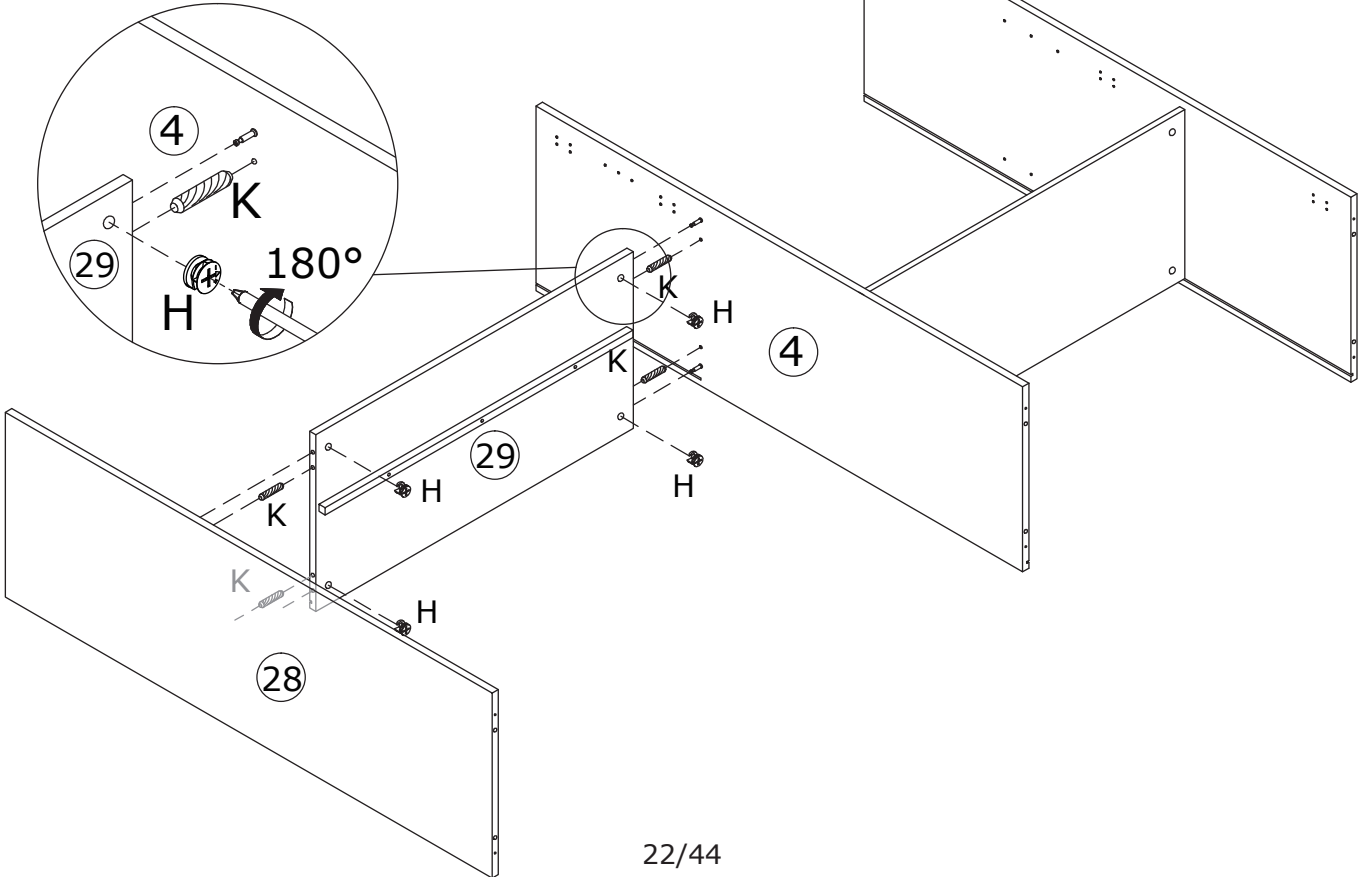
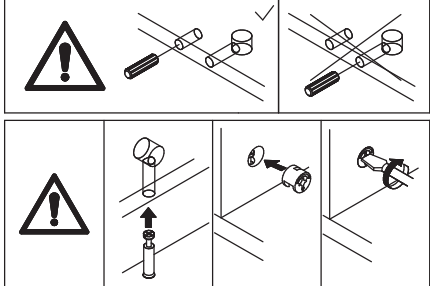


Fix tube 38 to panel 29 with screw(b) as shown.

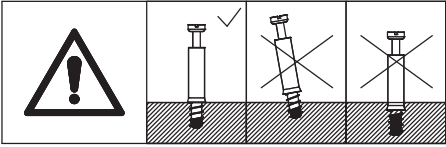
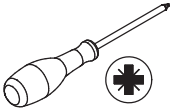
21



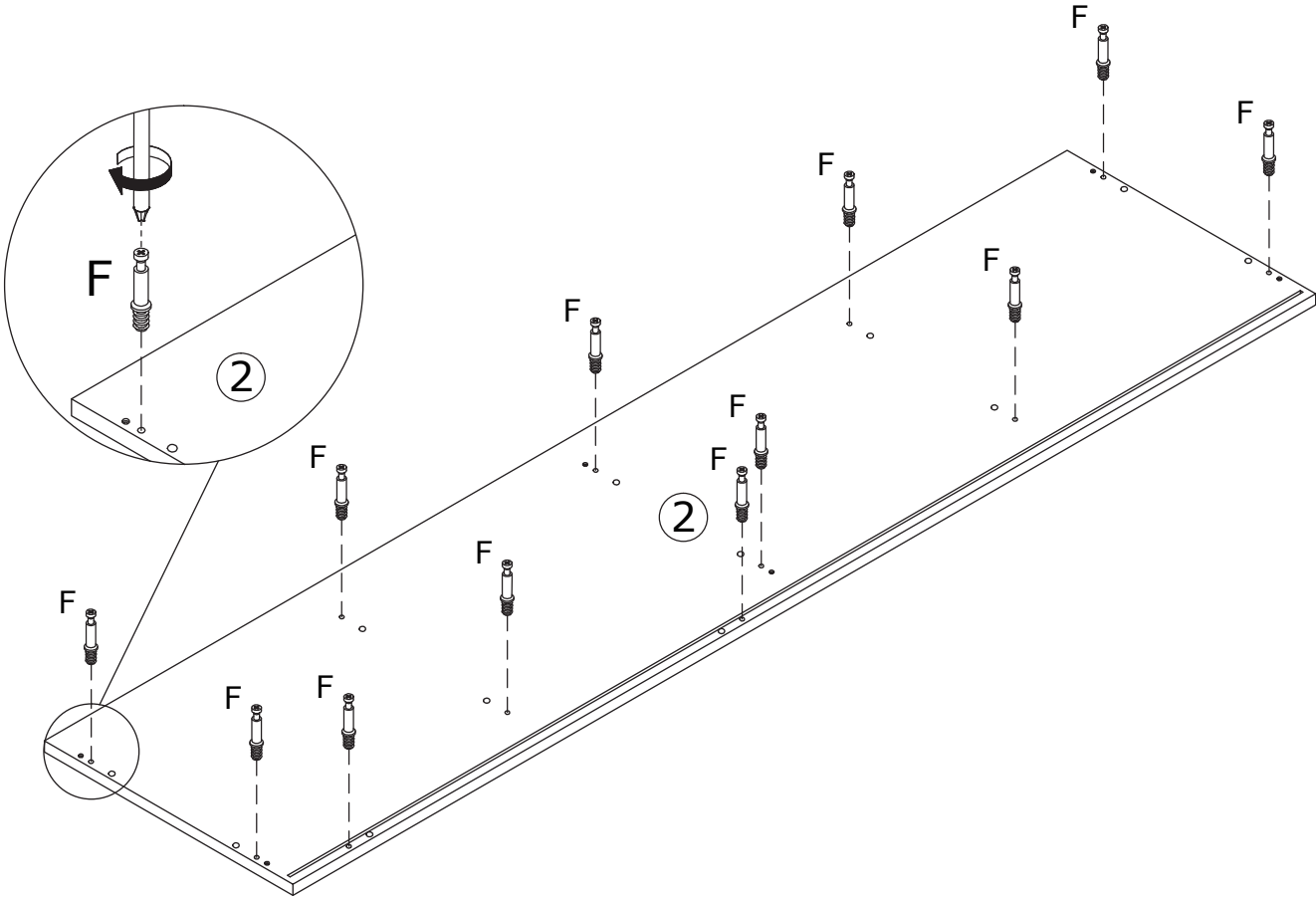
Connect panel 4 and 28 to panel 29 using wooden dowel(K), add cam lock(H) into and turn clockwise to tighten as shown.



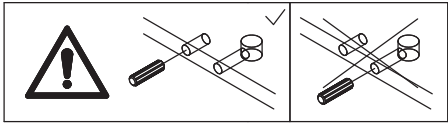
22



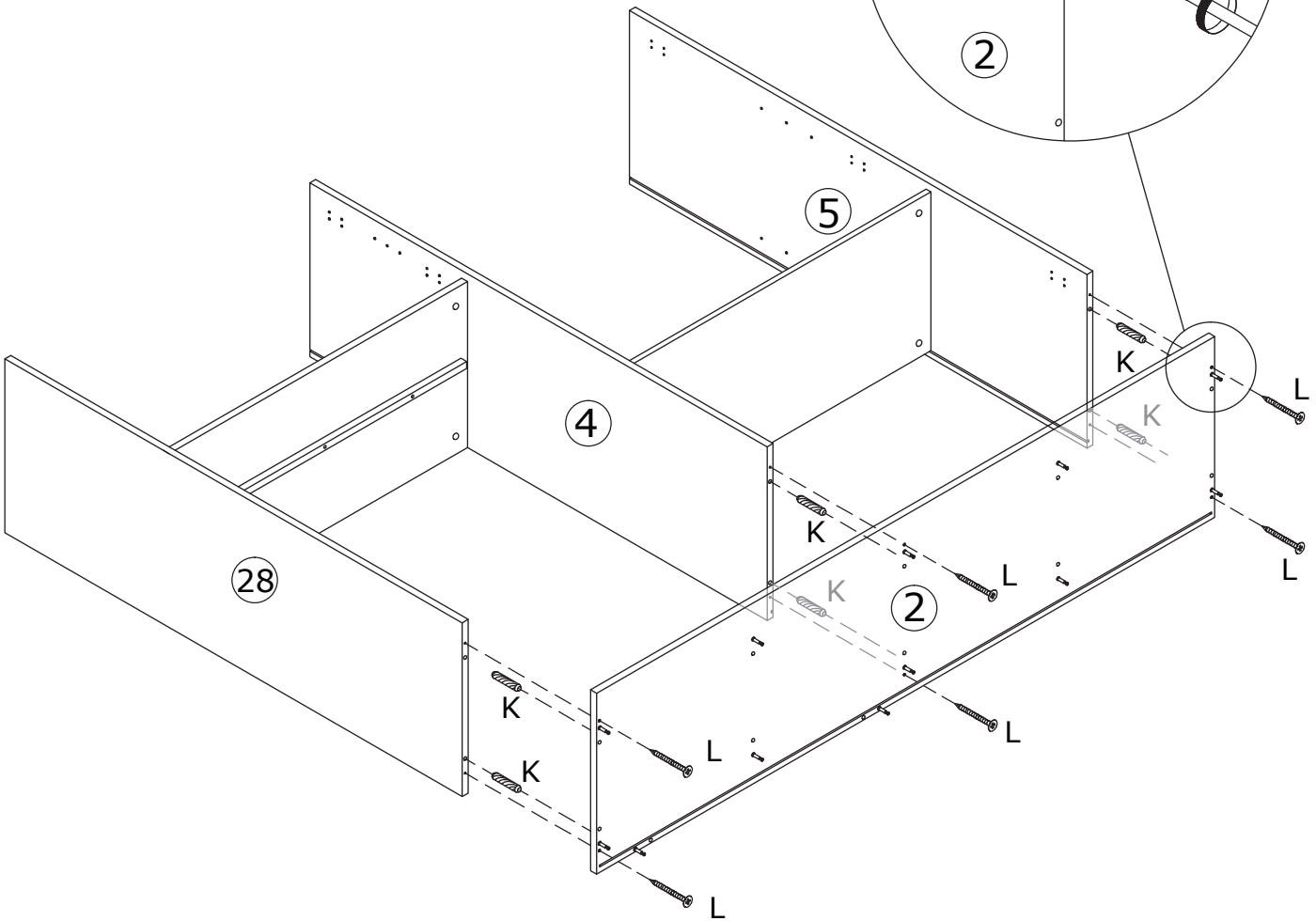
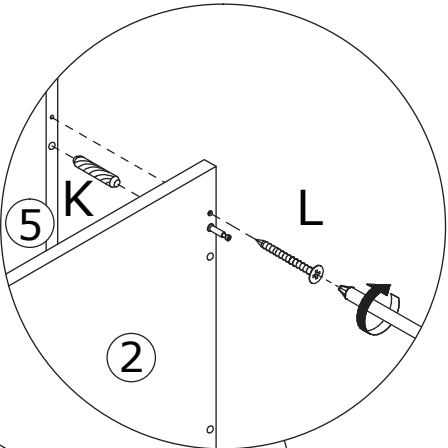
Screw eccentric rod(F) into panel 2 at first.



23

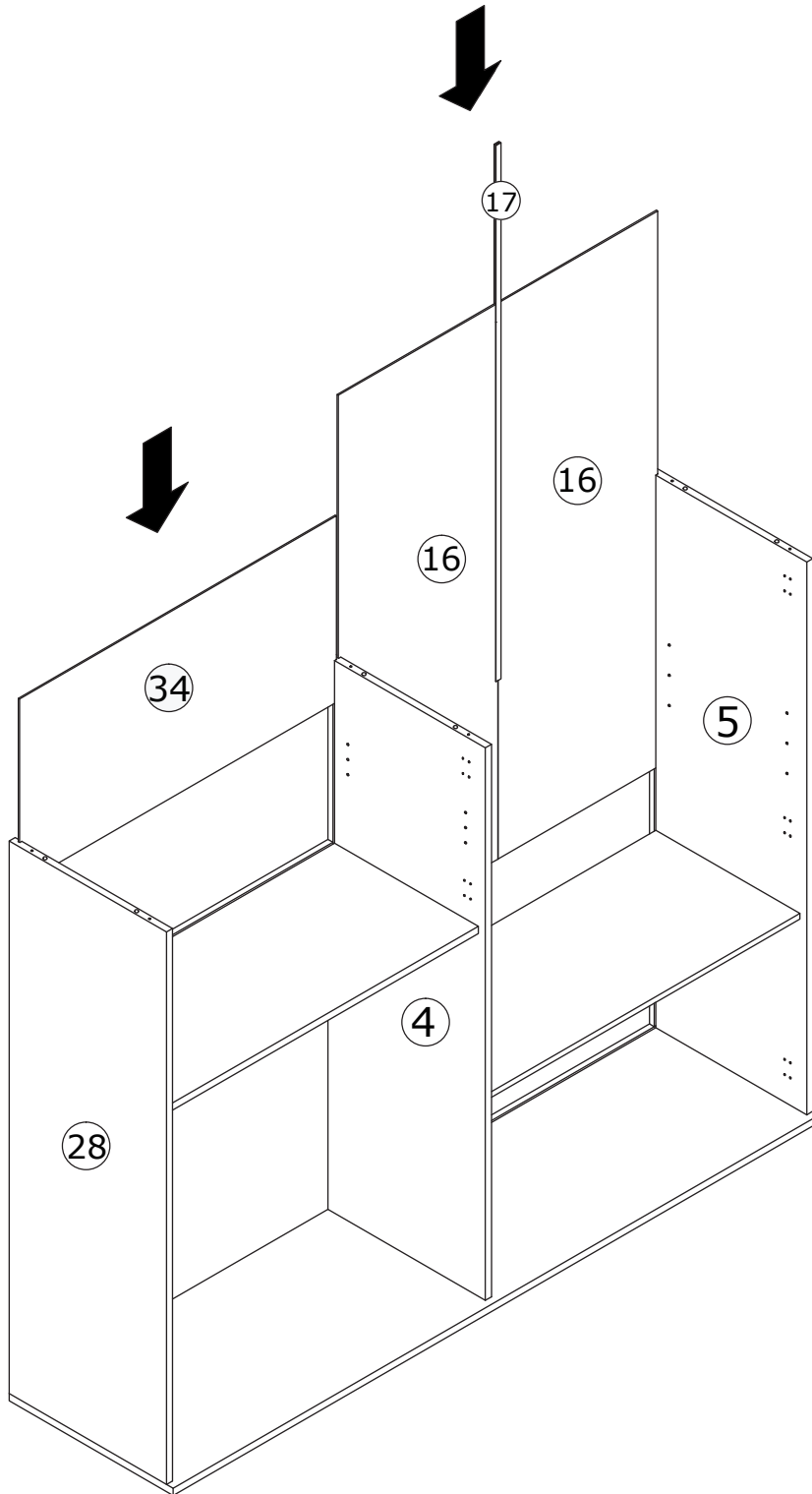


Attach panel 2 to panel 5, 4 and 28 using wooden dowel(K) and fix with screw(L) as shown.

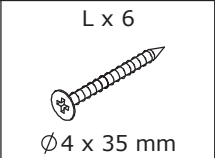
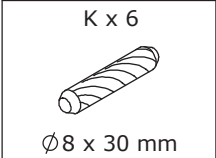


24

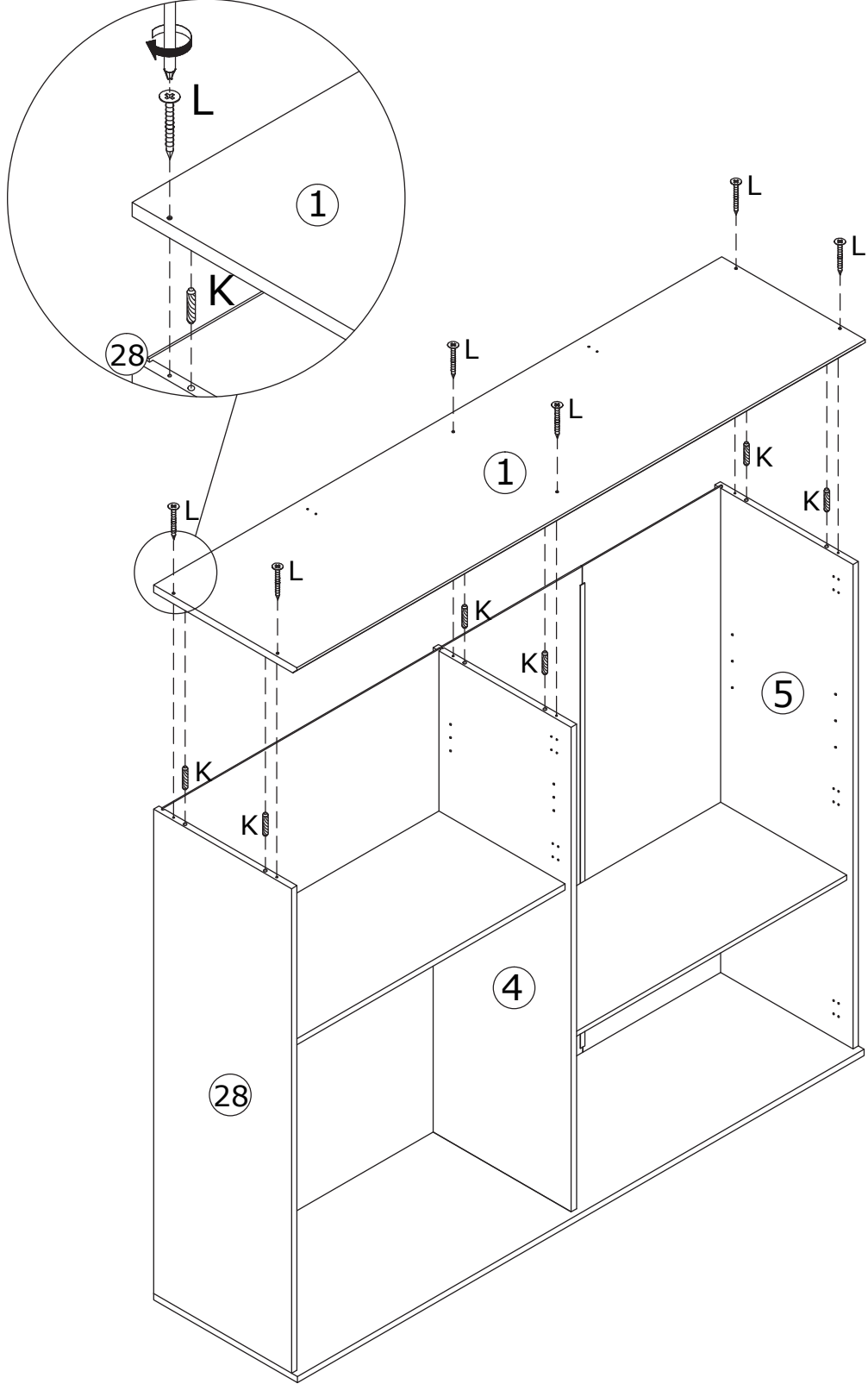
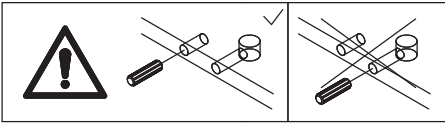
Slide back panel 34, 16 and plank 17 along available grooves as shown.



25

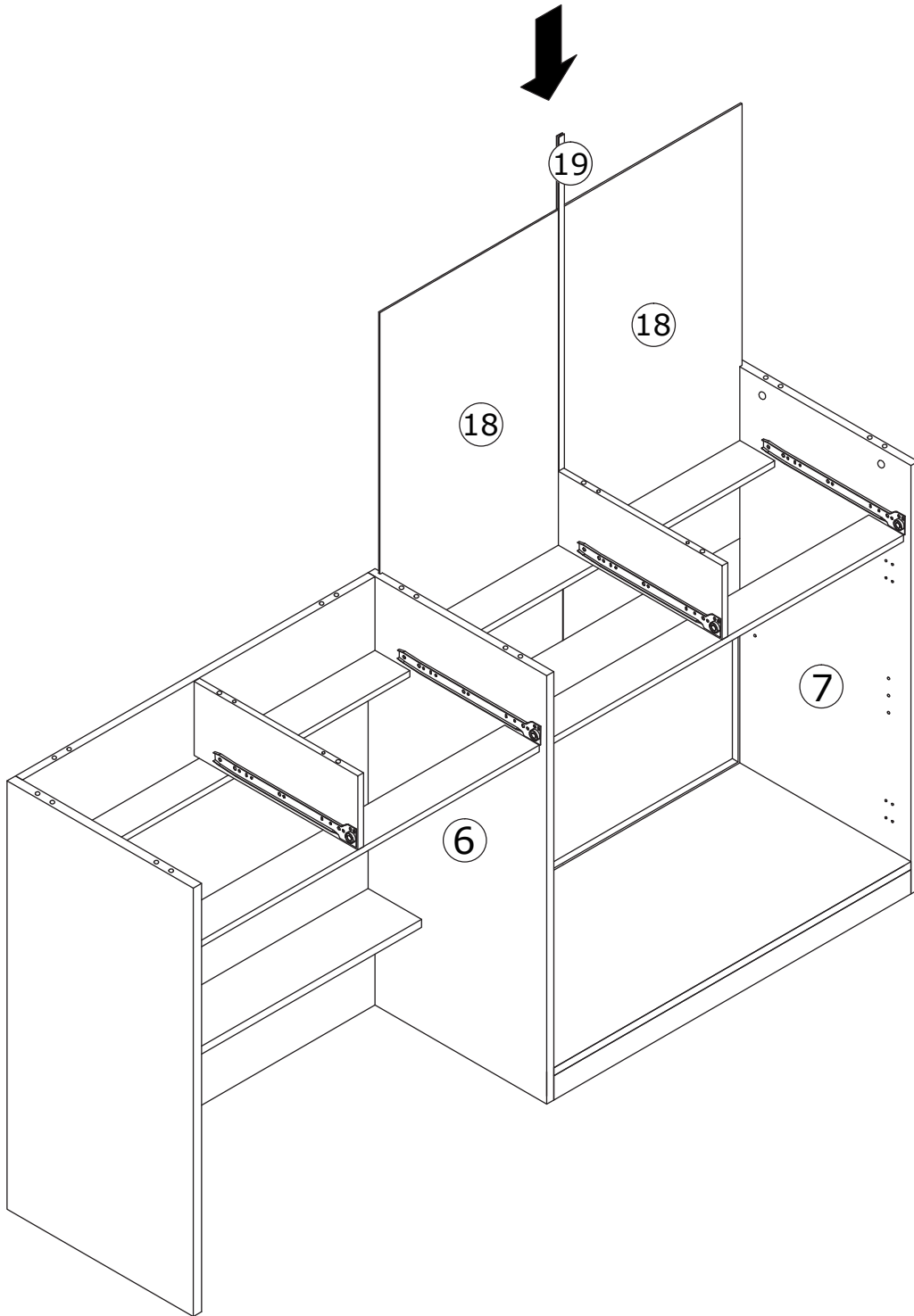


Attach panel 1 to panel 5, 4 and 28 using wooden dowel(K) and fix with screw(L) as shown.




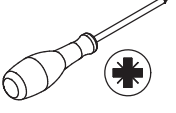


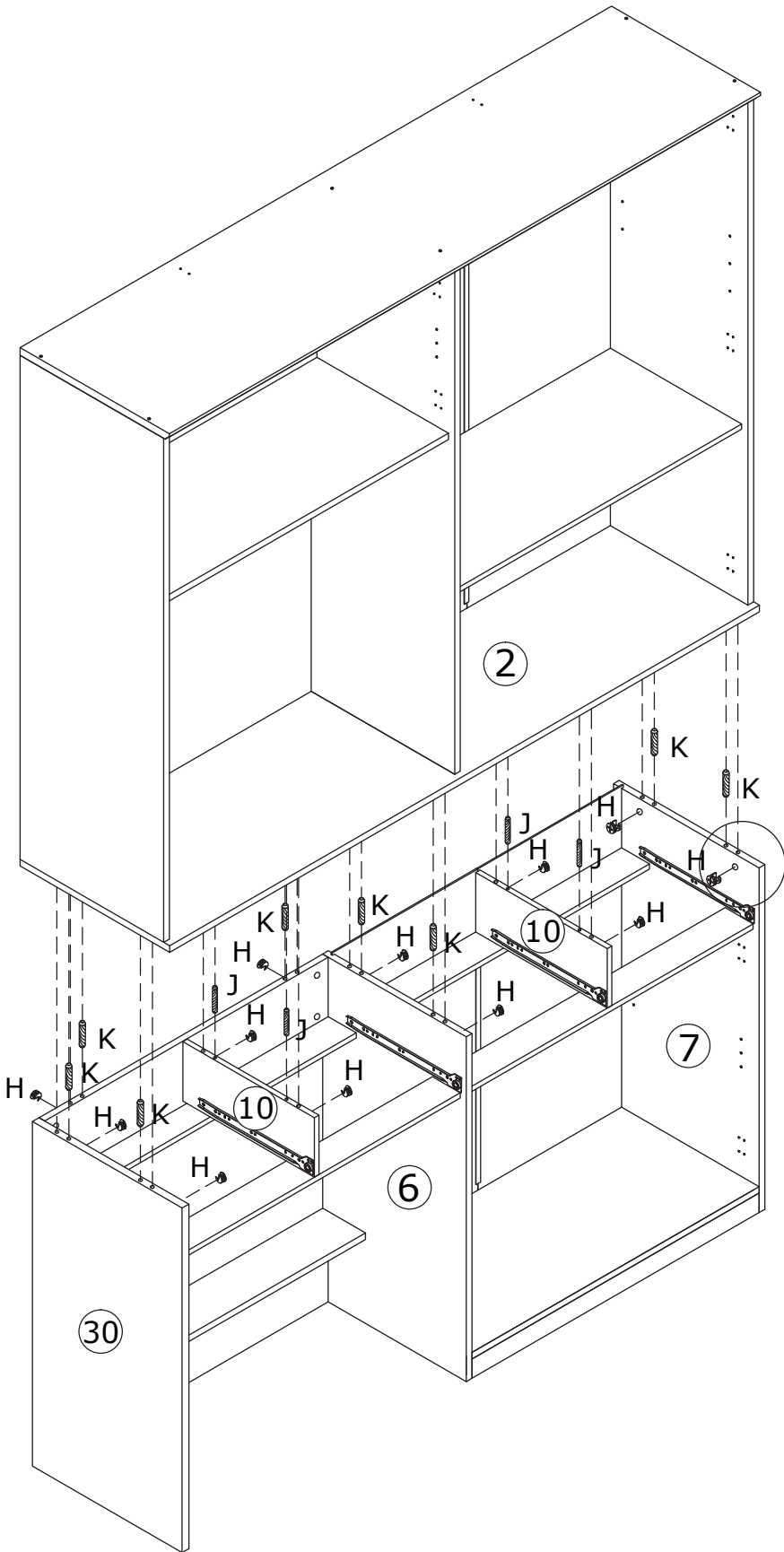
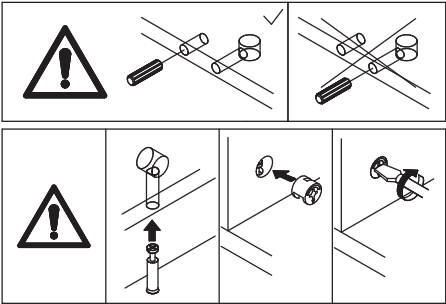
26

Slide back panel 18 and plank 19 along available grooves as shown.

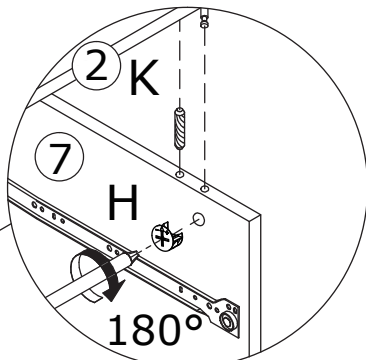


27

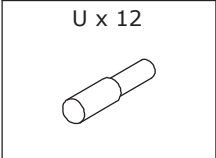
H x 12  Ø15 x 10 mm	J x 4  Ø6 x 30 mm	K x 8  Ø8 x 30 mm	
--	--	--	---



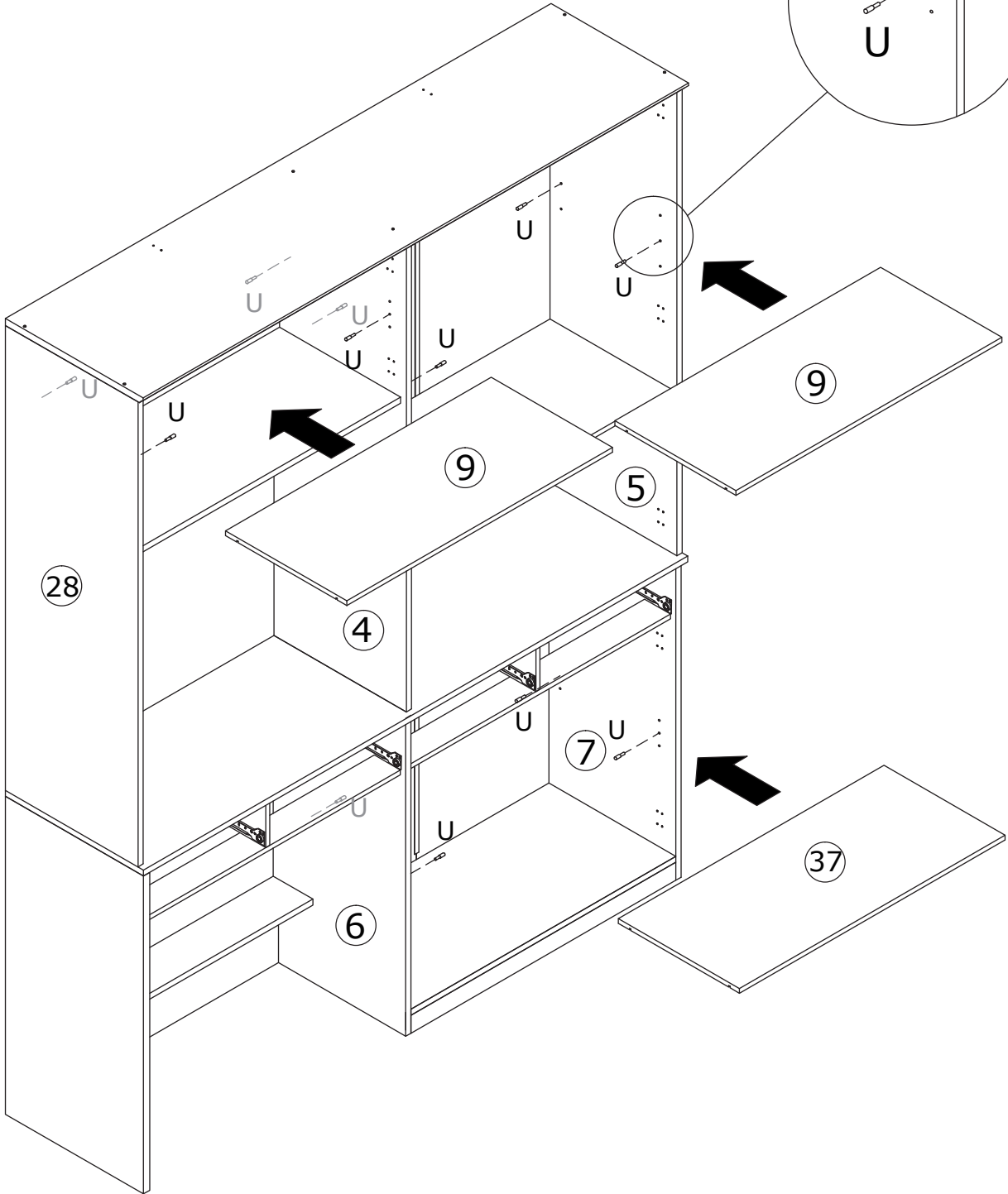
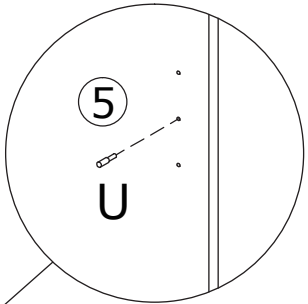
Insert wooden dowel(J) into panel 10, wooden dowel(K) into panel 7, 6, 30 and 31 at first. Connect the two components, add cam lock(H) into and turn clockwise to tighten as shown.







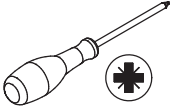
28



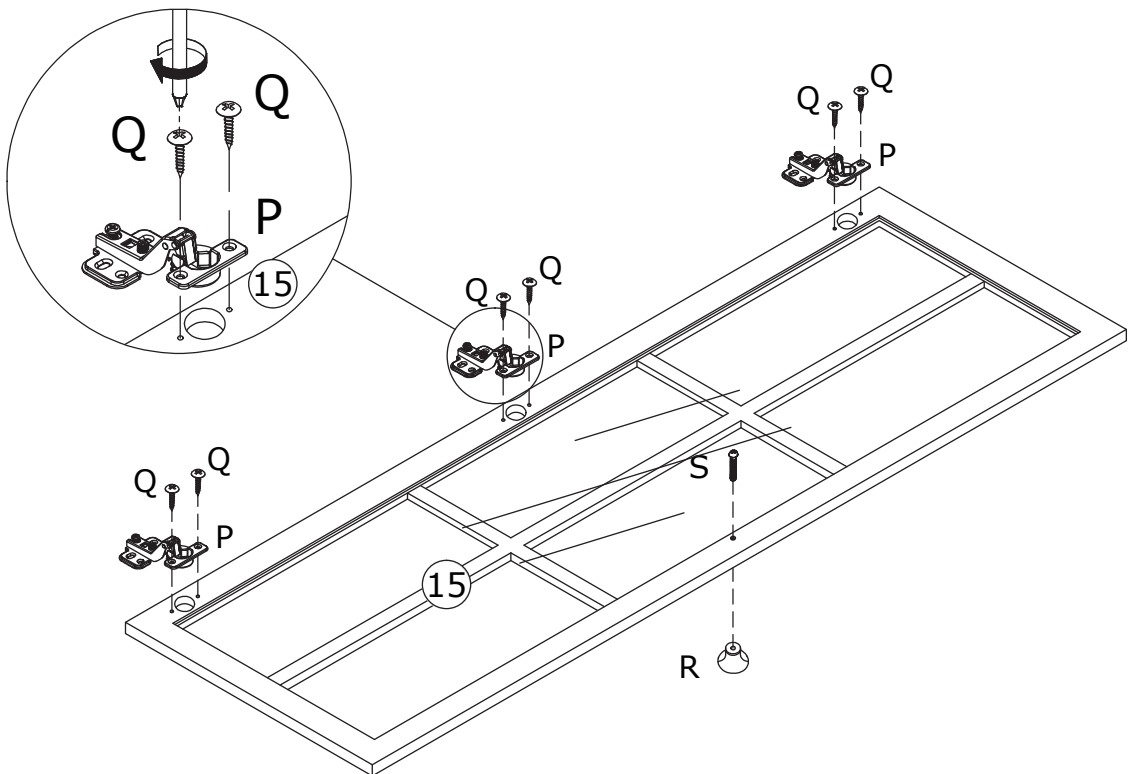
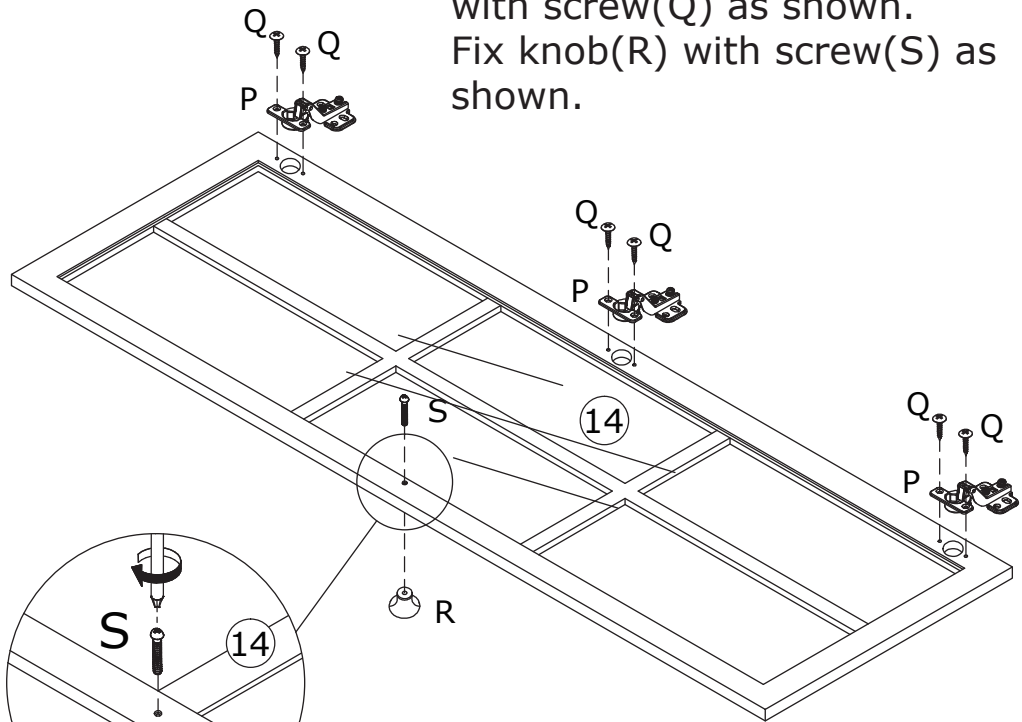
Insert layer pin(U) into panel 5, 4, 28, 6 and 7, place shelf panel 9 and 37 on.



29

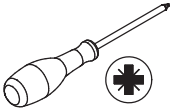
<p>P x 6</p> 	<p>Q x 12</p> <p>Ø4 x 14 mm</p> 	<p>R x 2</p> 	<p>S x 2</p> <p>Ø4 x 18 mm</p> 	
--	---	--	---	---

Fix hinge(P) to panel 14 and 15 with screw(Q) as shown.
Fix knob(R) with screw(S) as shown.

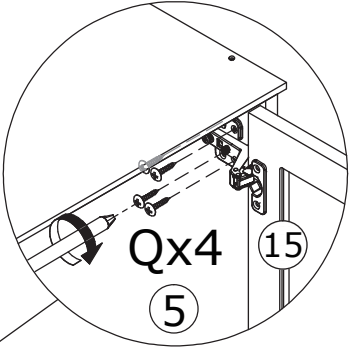
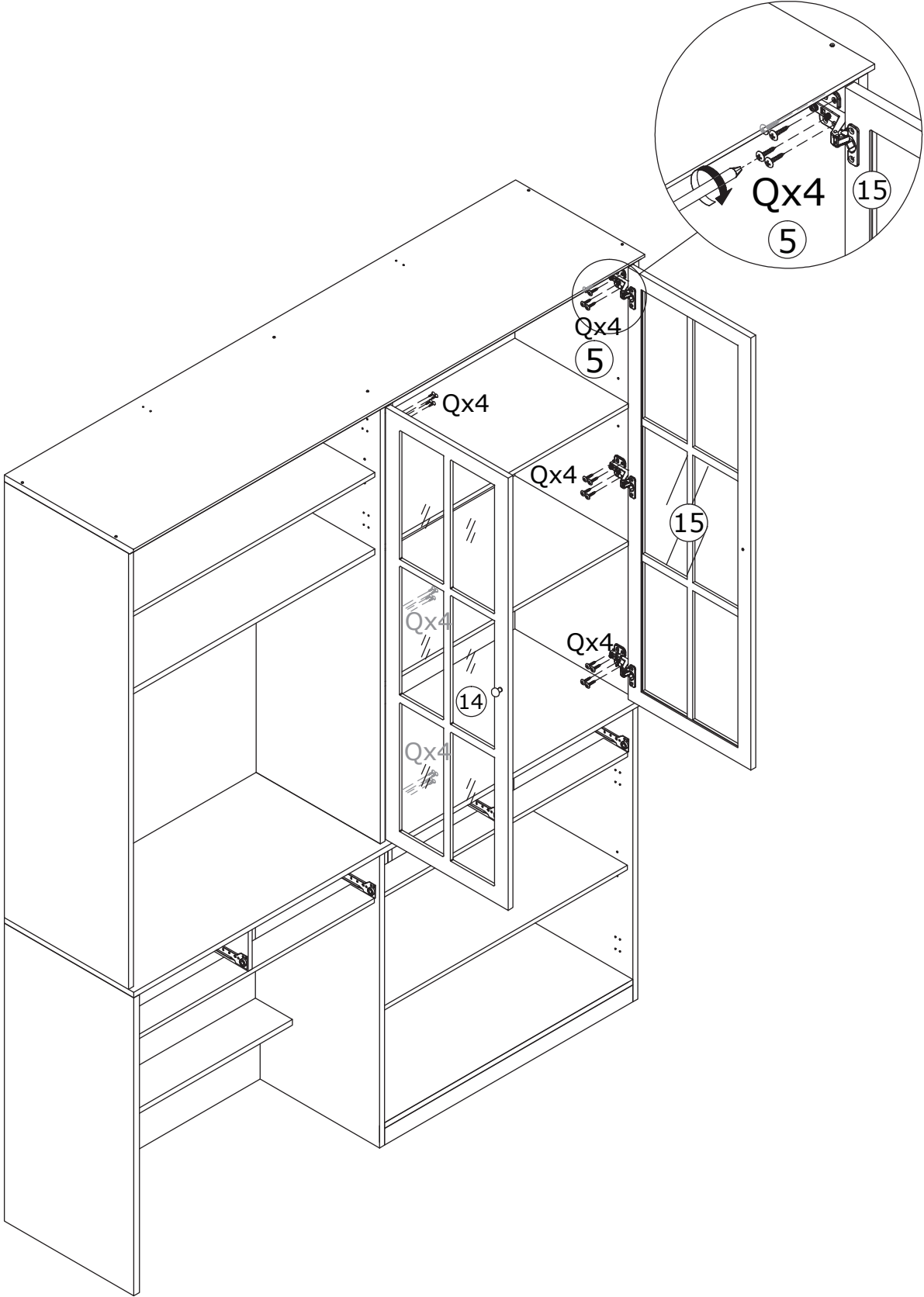


30

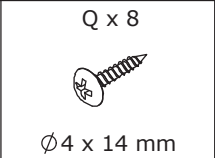
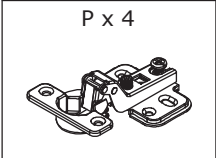
Q x 24
Ø4 x 14 mm



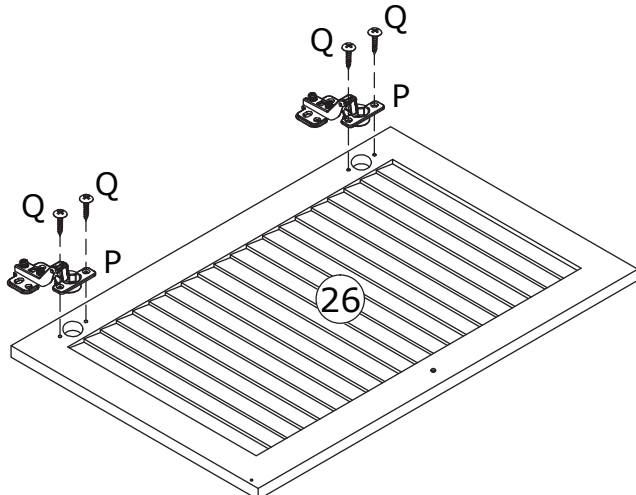
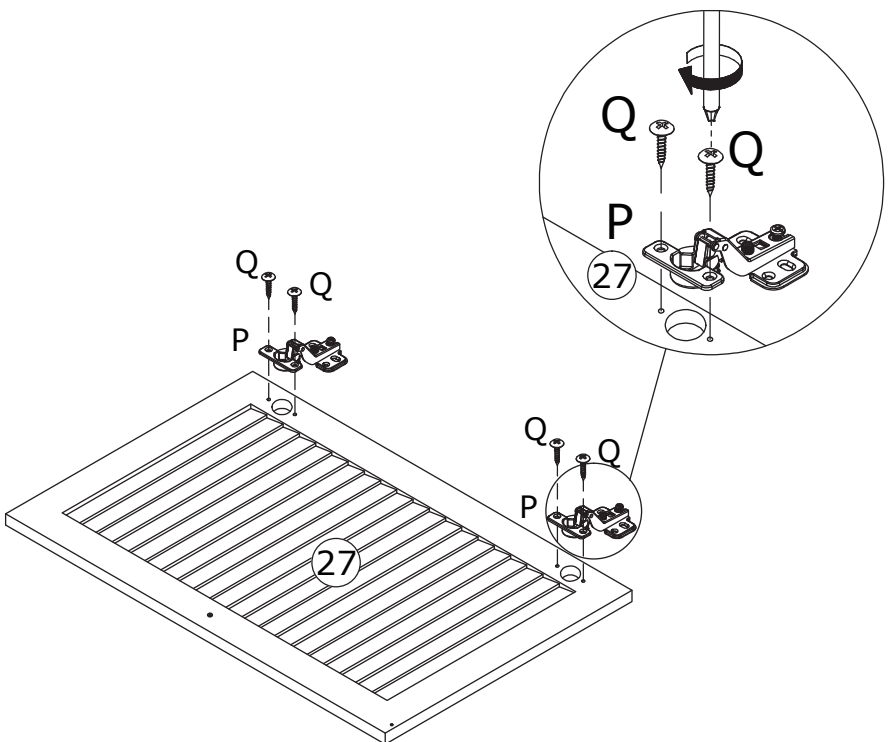
Assemble door 14 and 15 to panel 4 and 5 by fixing hinge with screw(Q) as shown.






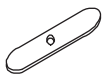
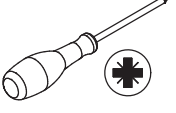
31



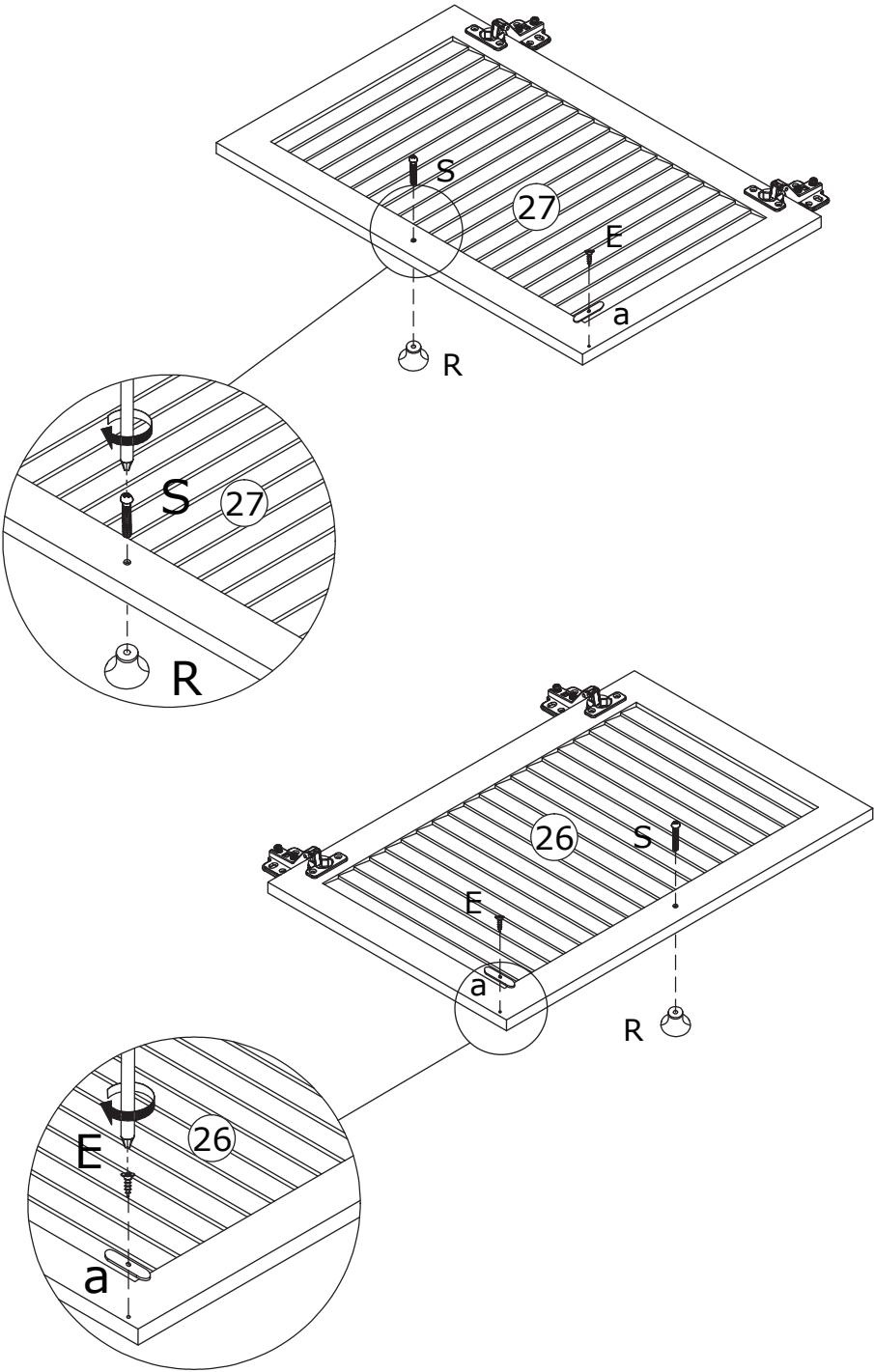
Fix hinge(P) to panel 26 and 27 with screw(Q) as shown.



32

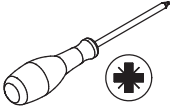
<p>E x 2</p>  <p>Ø3 x 12 mm</p>	<p>R x 2</p> 	<p>S x 2</p>  <p>Ø4 x 18 mm</p>	<p>a x 2</p> 	
--	--	--	---	---

Fix knob(R) and part(a) to 26 and 27 with screw(S) and screw(E) as shown.

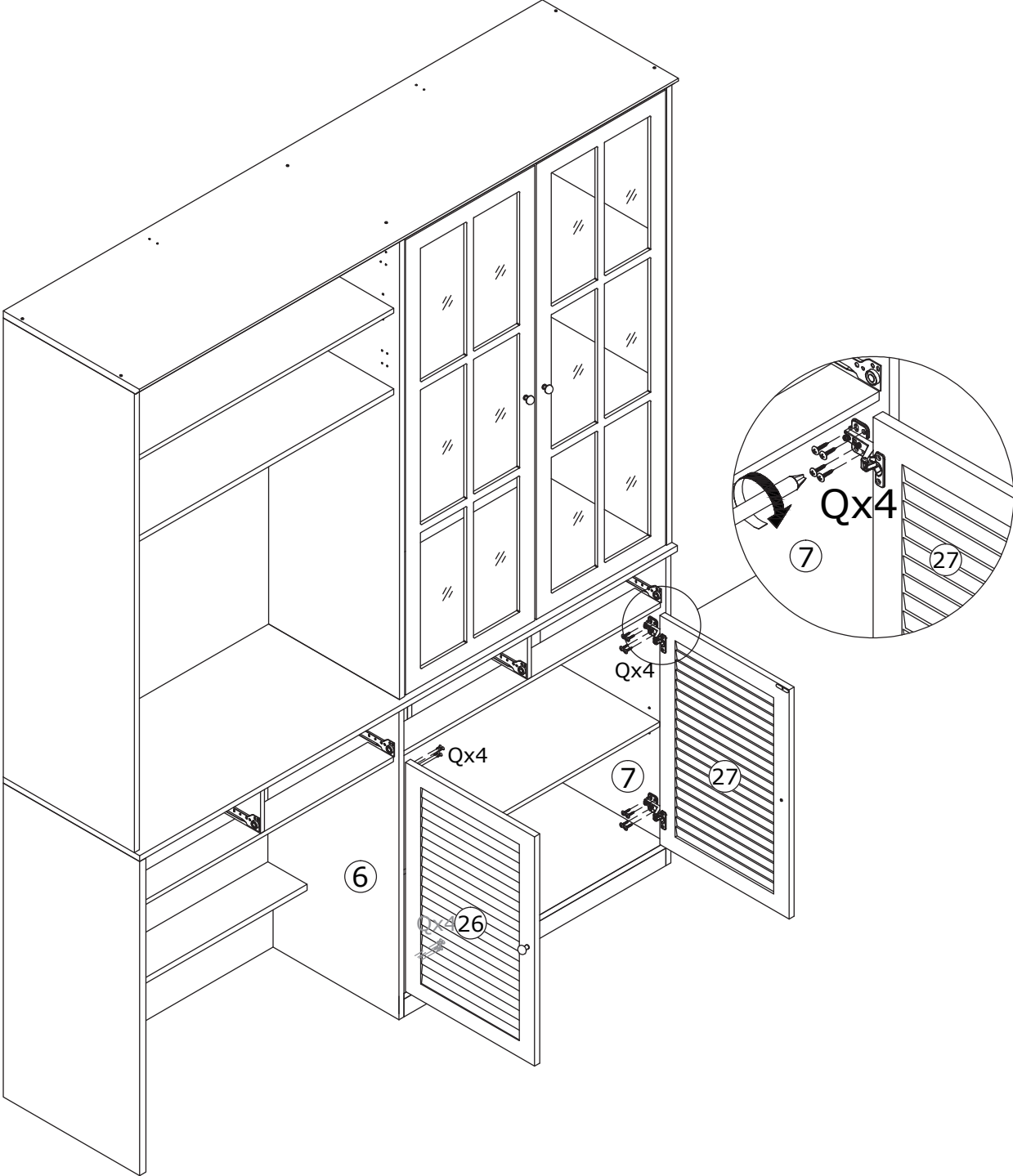


33

Q x 16
Ø4 x 14 mm



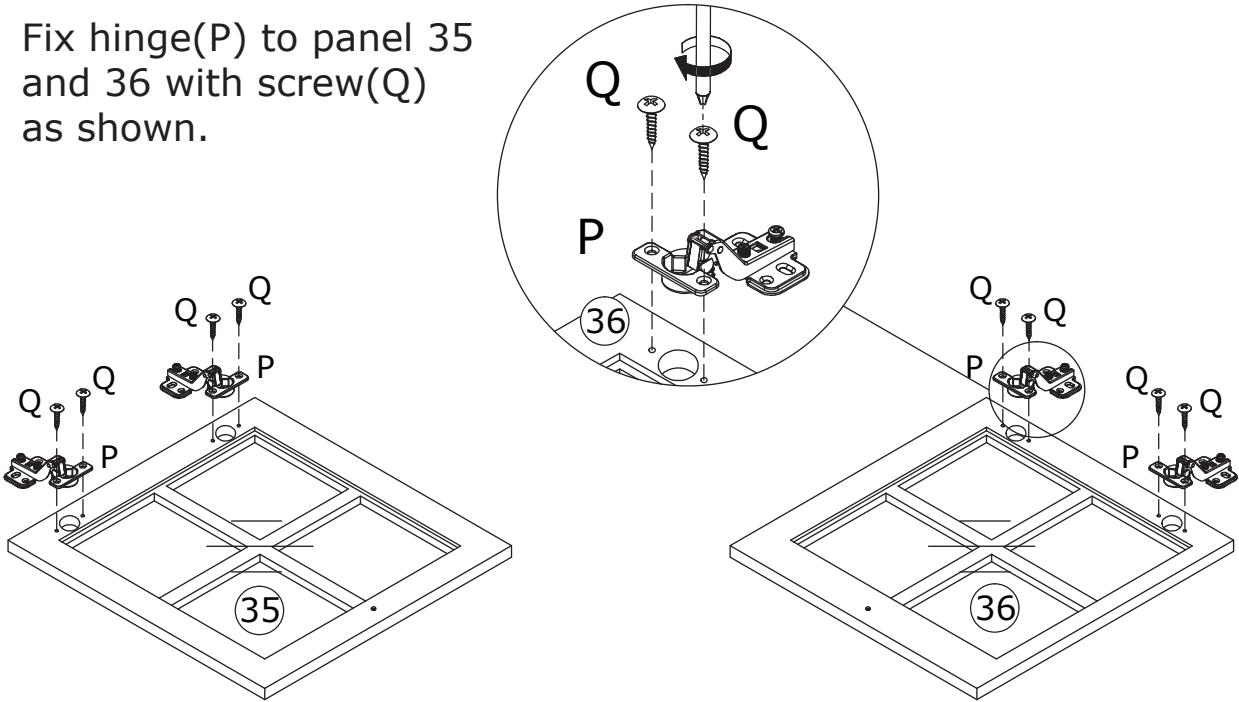
Assemble door 26 and 27 to panel 6 and 7 by fixing hinge with screw(Q) as shown.



34

$P \times 4$ 	$Q \times 8$  $\varnothing 4 \times 14 \text{ mm}$	
---	---	---

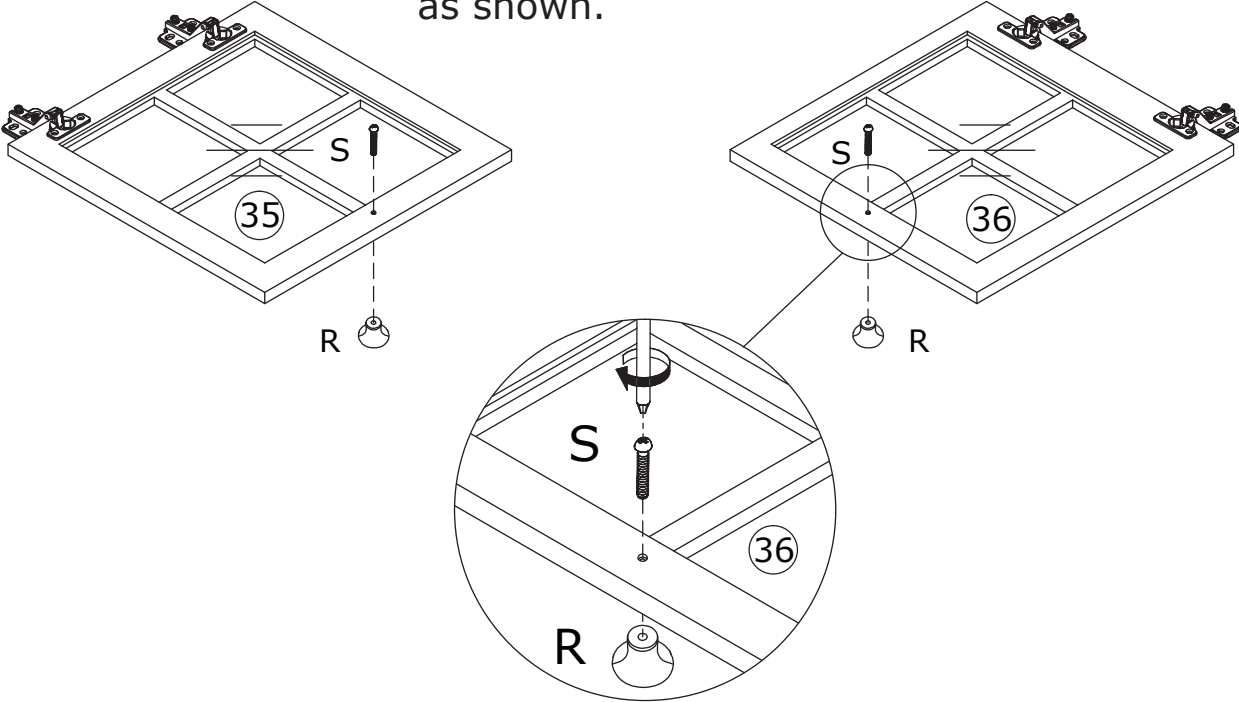
Fix hinge(P) to panel 35 and 36 with screw(Q) as shown.



35

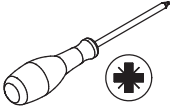
$R \times 2$ 	$S \times 2$  $\varnothing 4 \times 18 \text{ mm}$	
---	---	---

Fix knob(R) with screw(S) as shown.

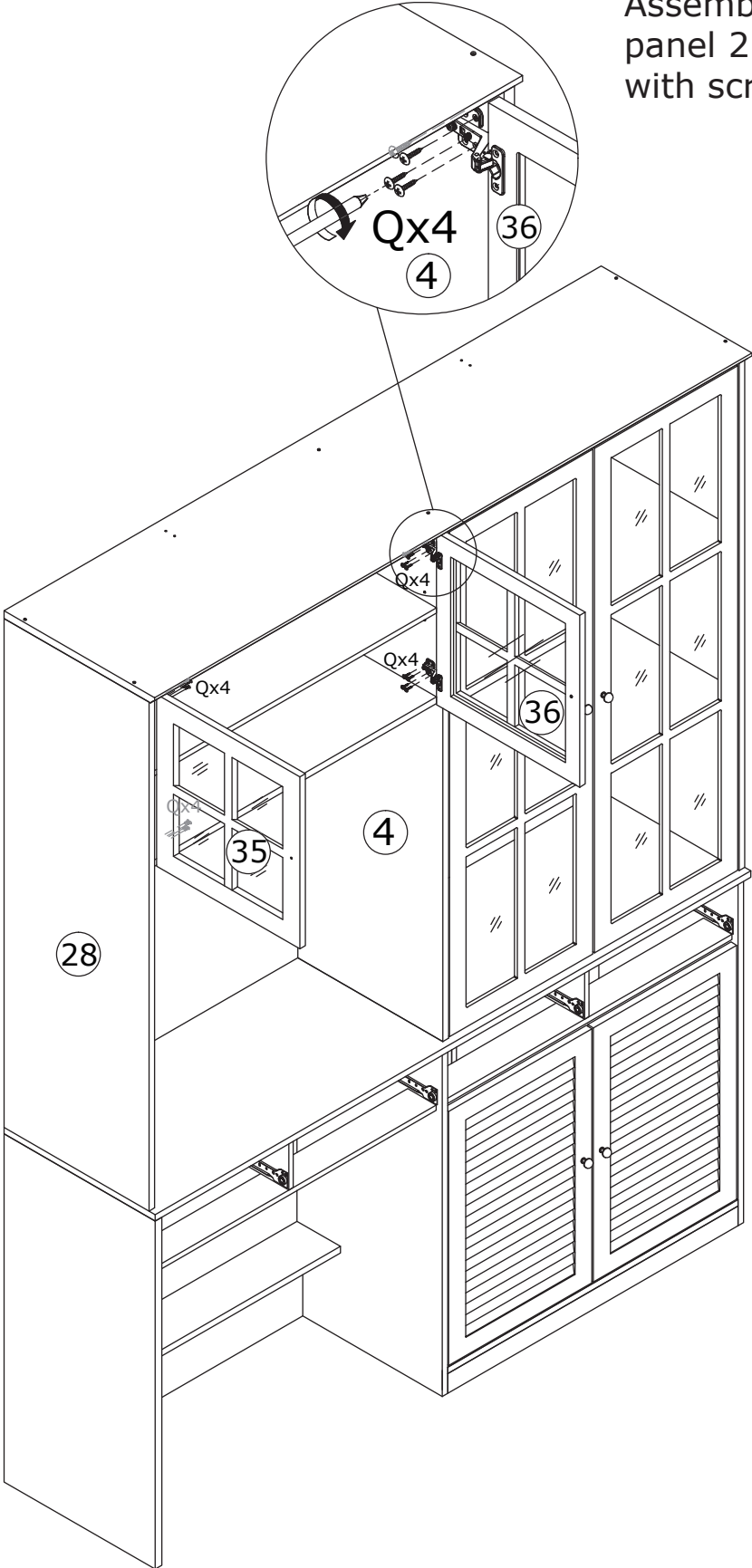


36

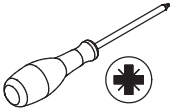
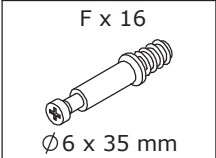
Q x 16
Ø4 x 14 mm



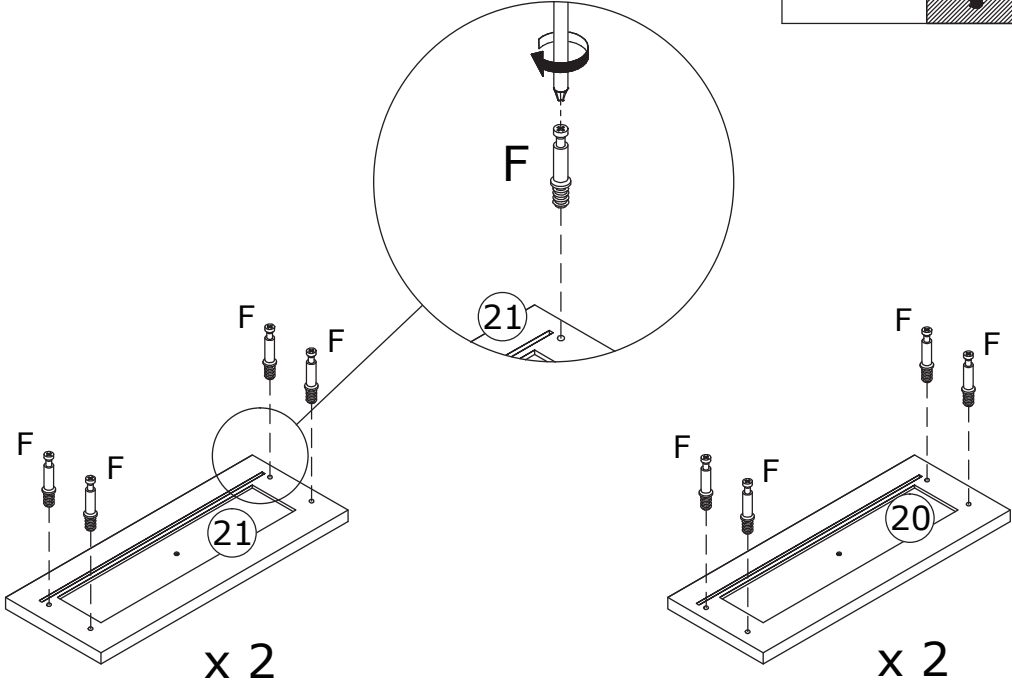
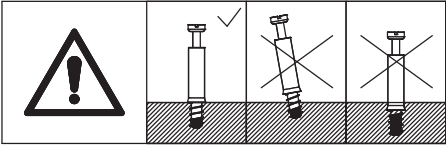
Assemble door 35 and 36 to panel 2 and 4 by fixing hinge with screw(Q) as shown.



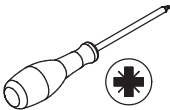
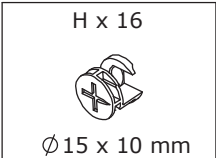
37



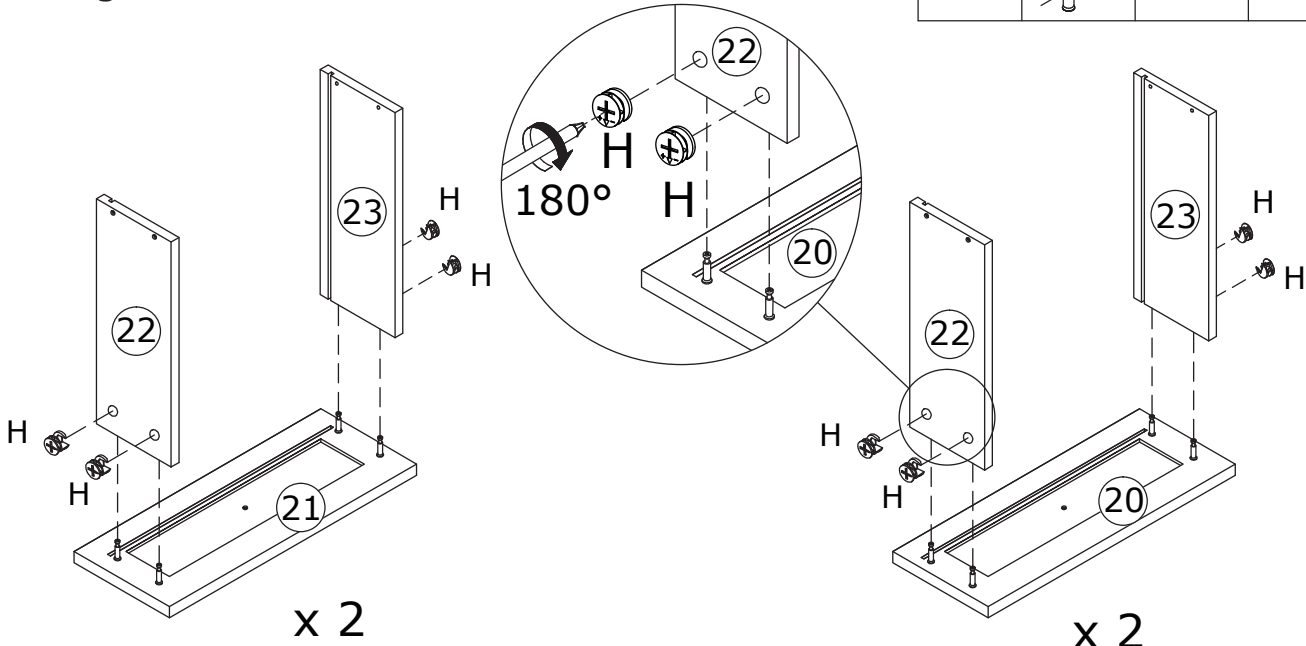
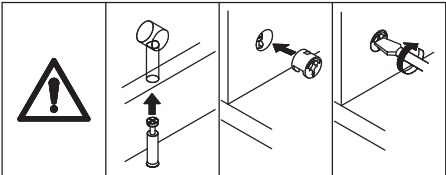
Screw eccentric rod(F) into panel 20 and 21 at first.



38

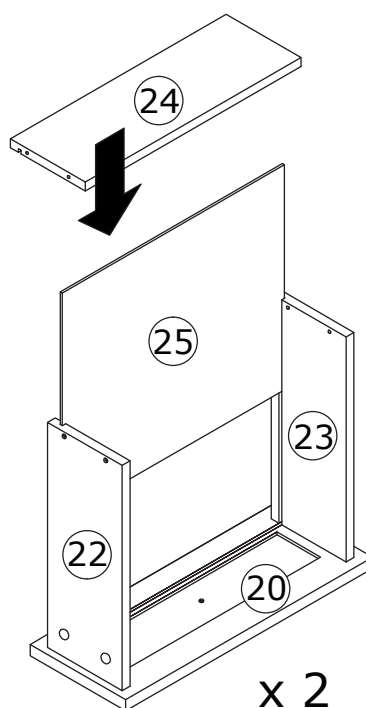
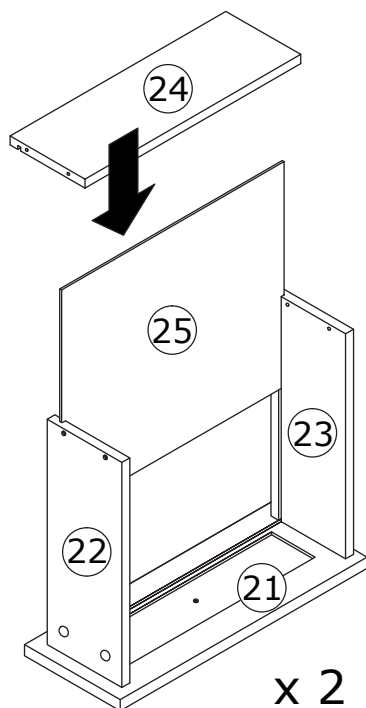


Attach panel 22 and 23 to panel 21 and 20, add cam lock(H) into and turn clockwise to tighten as shown.

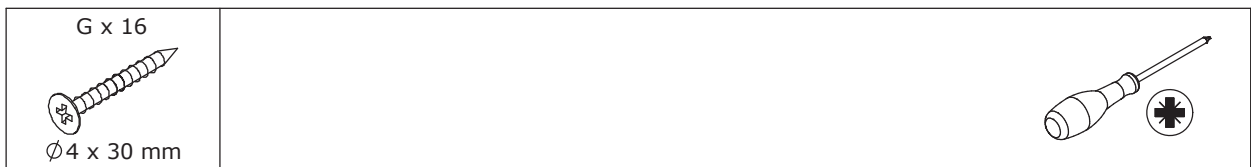


39

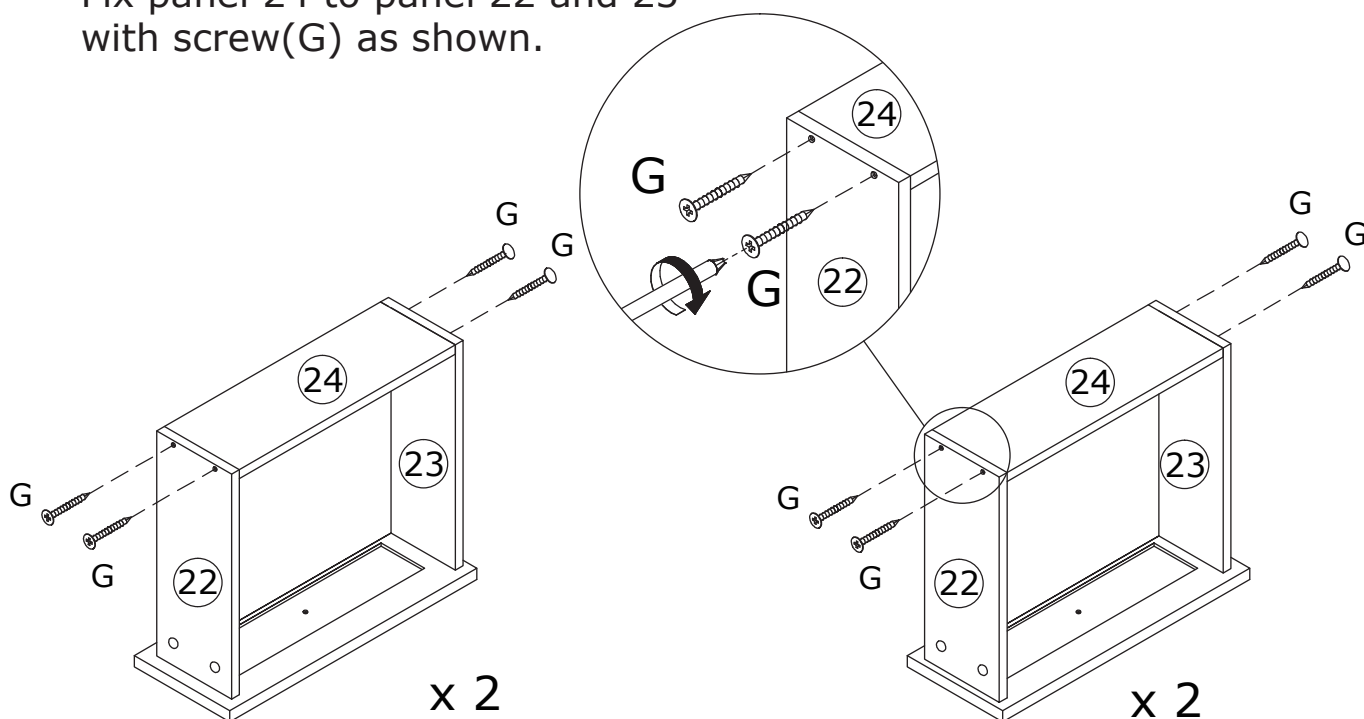
Slide panel 25 along available grooves as shown.



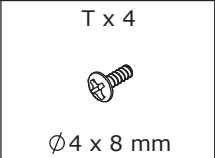
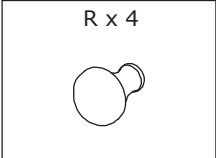
40



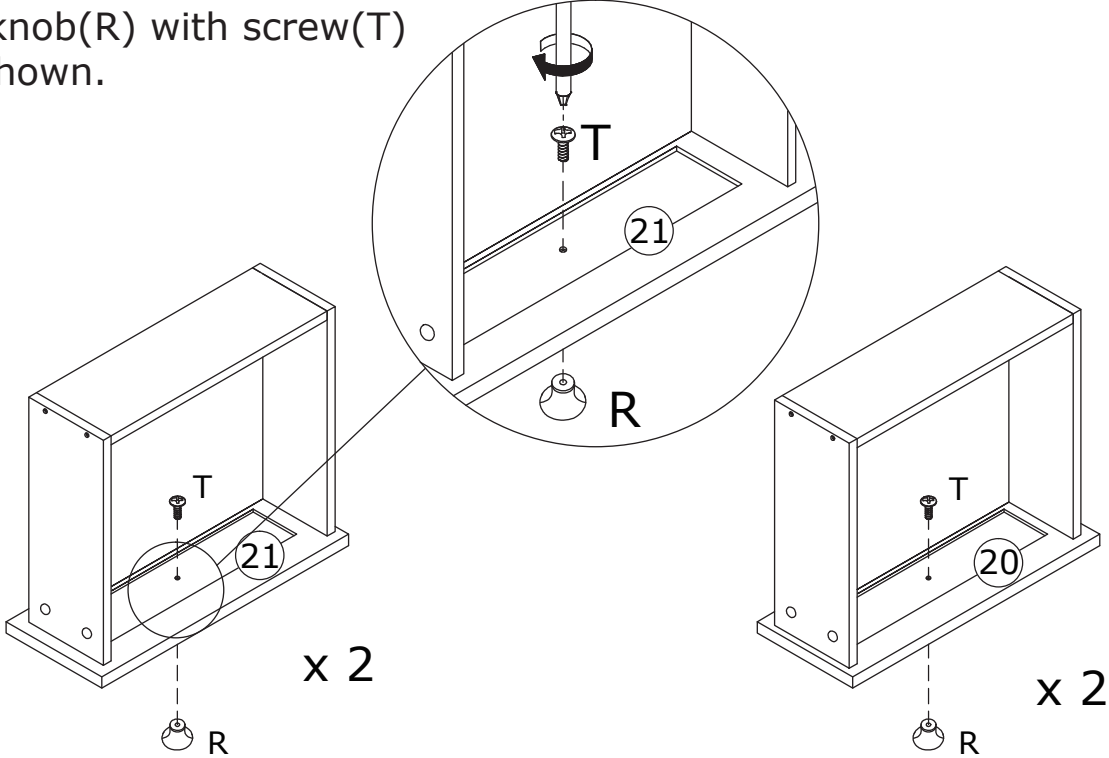
Fix panel 24 to panel 22 and 23 with screw(G) as shown.



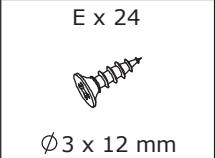
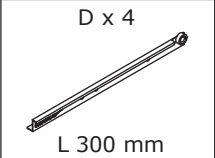
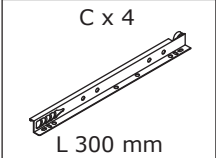
41



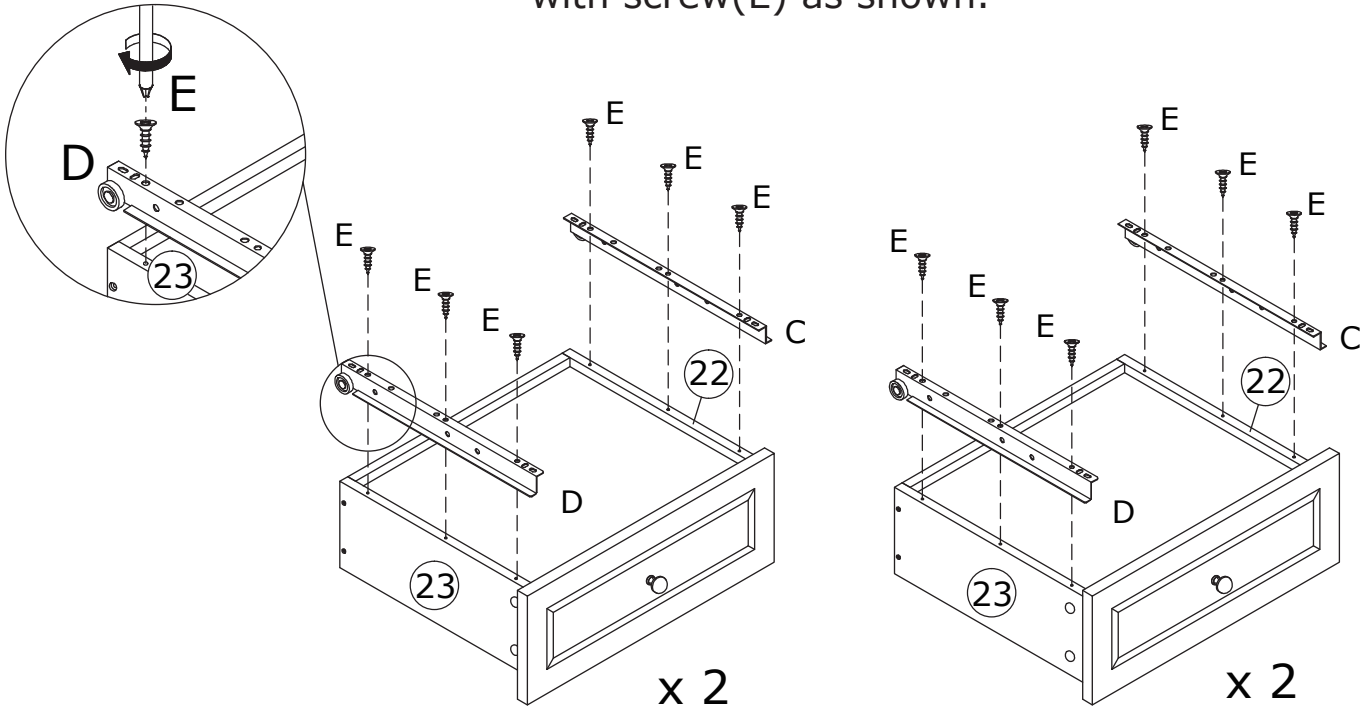
Fix knob(R) with screw(T) as shown.



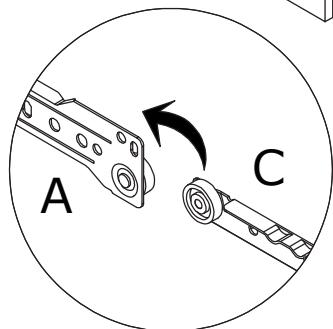
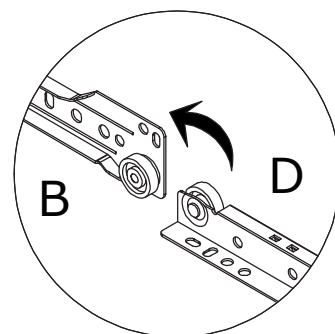
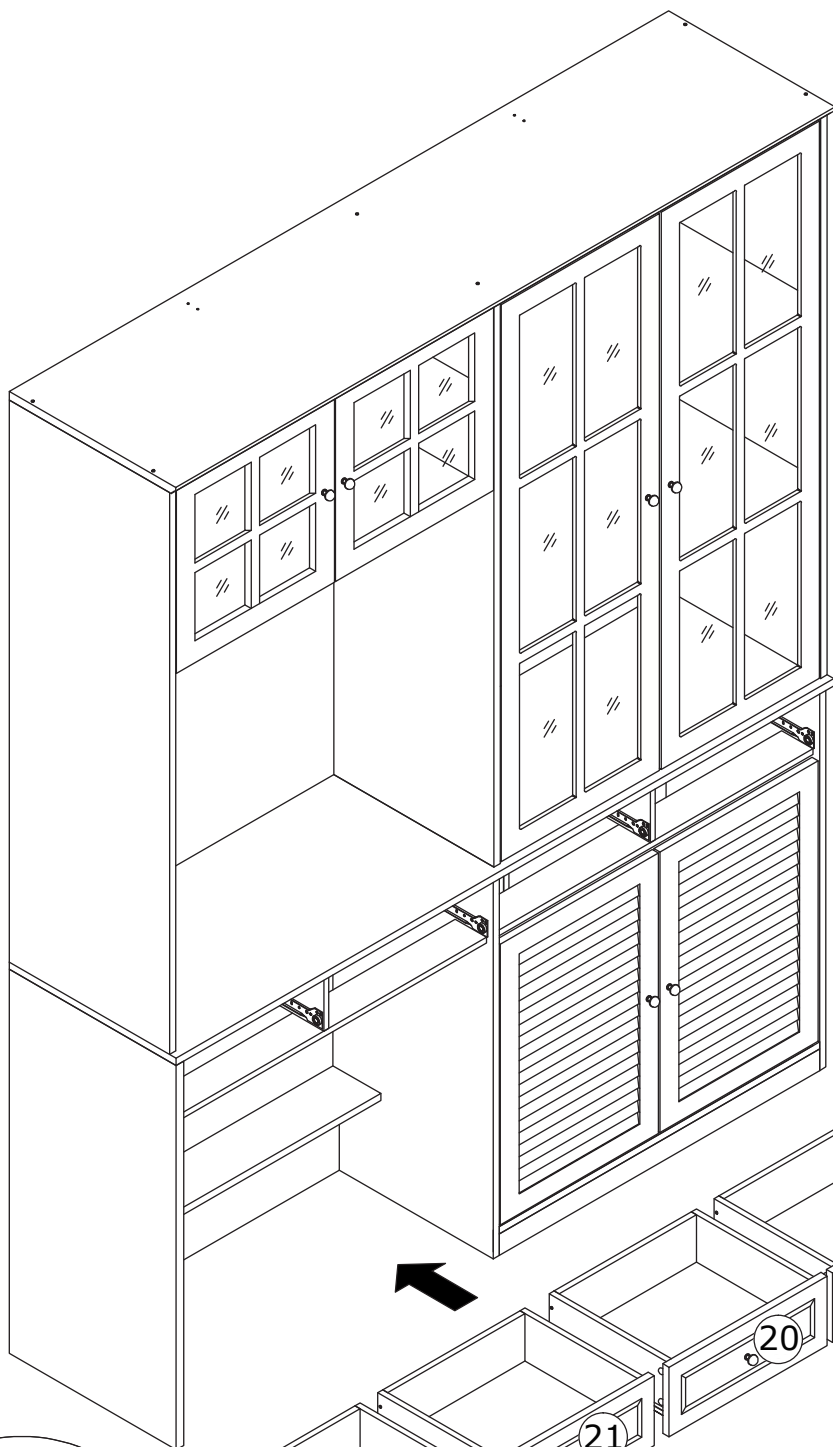
42

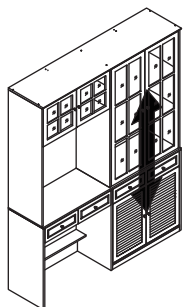
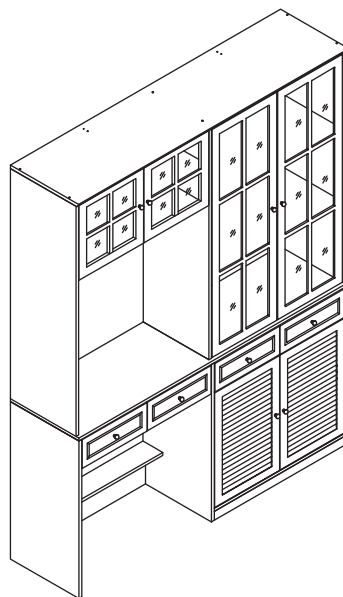
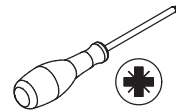


Fix runner(C) and (D) to panel 22 and 23 with screw(E) as shown.

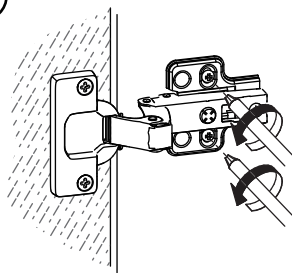


43

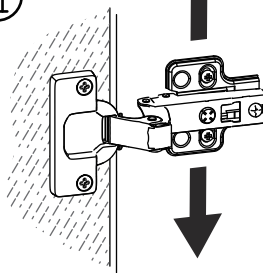




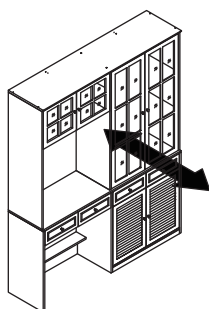
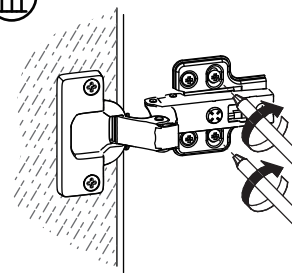
I



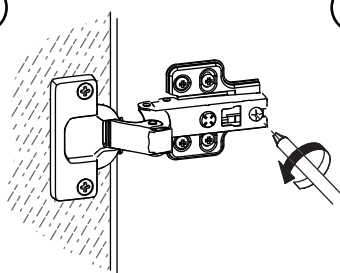
II



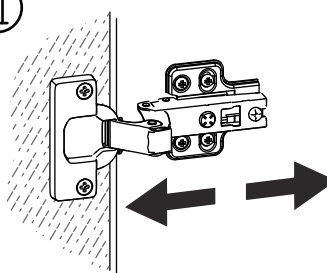
III



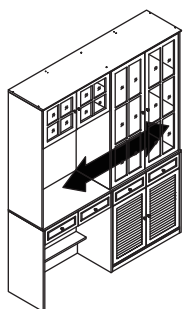
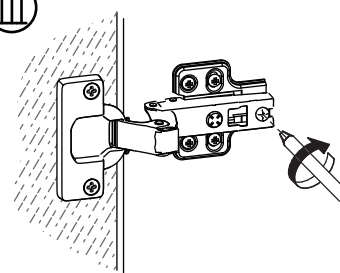
I



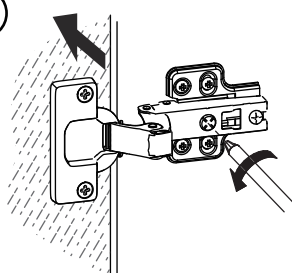
II



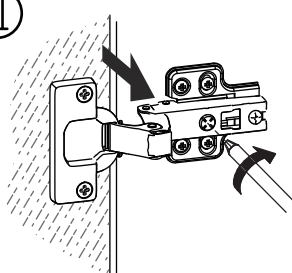
III



I



II



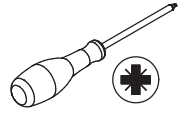
45

Y x 30

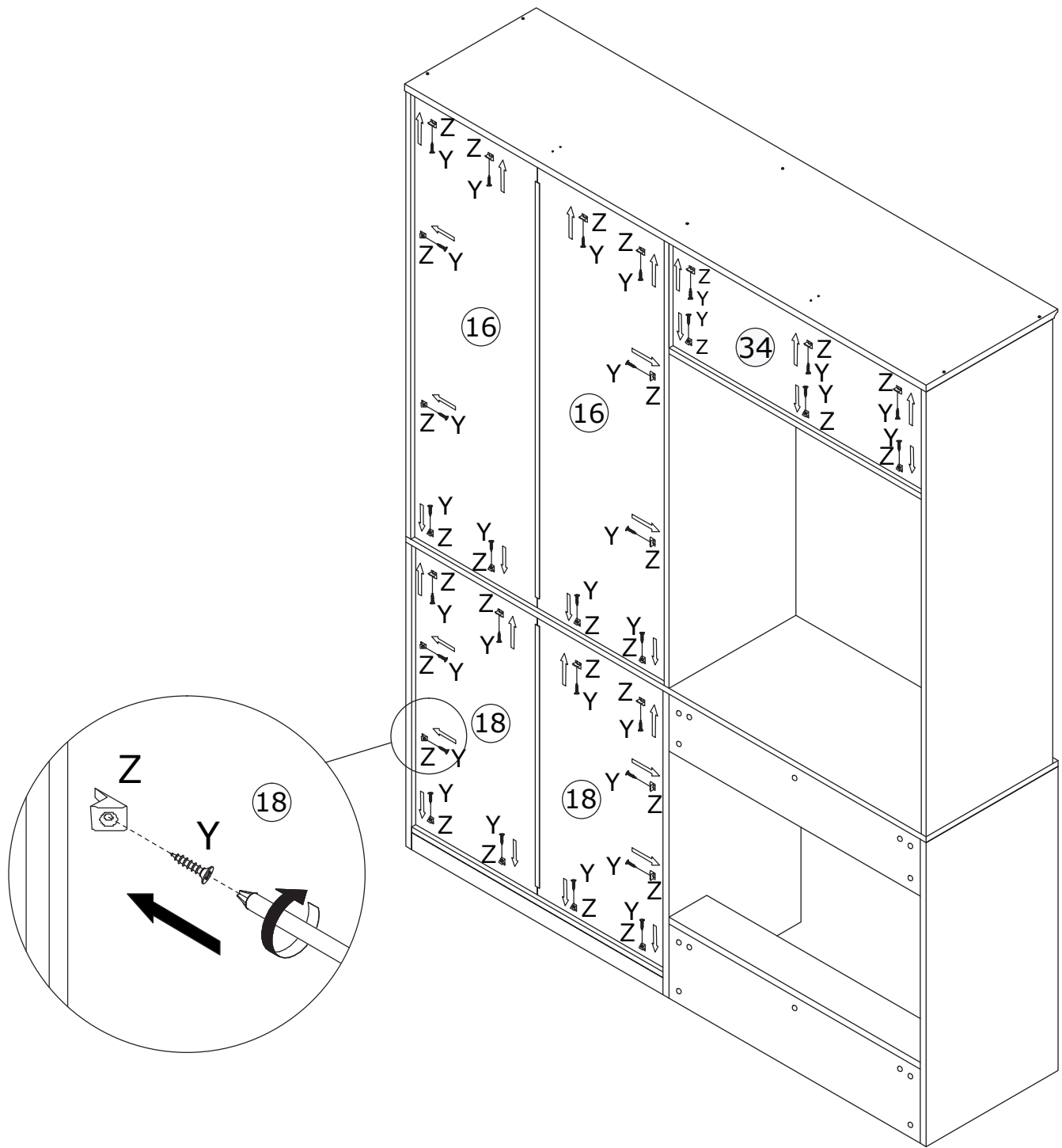


Ø3 x 14 mm

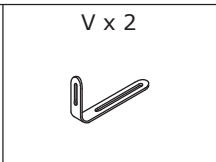
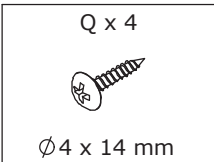
Z x 30



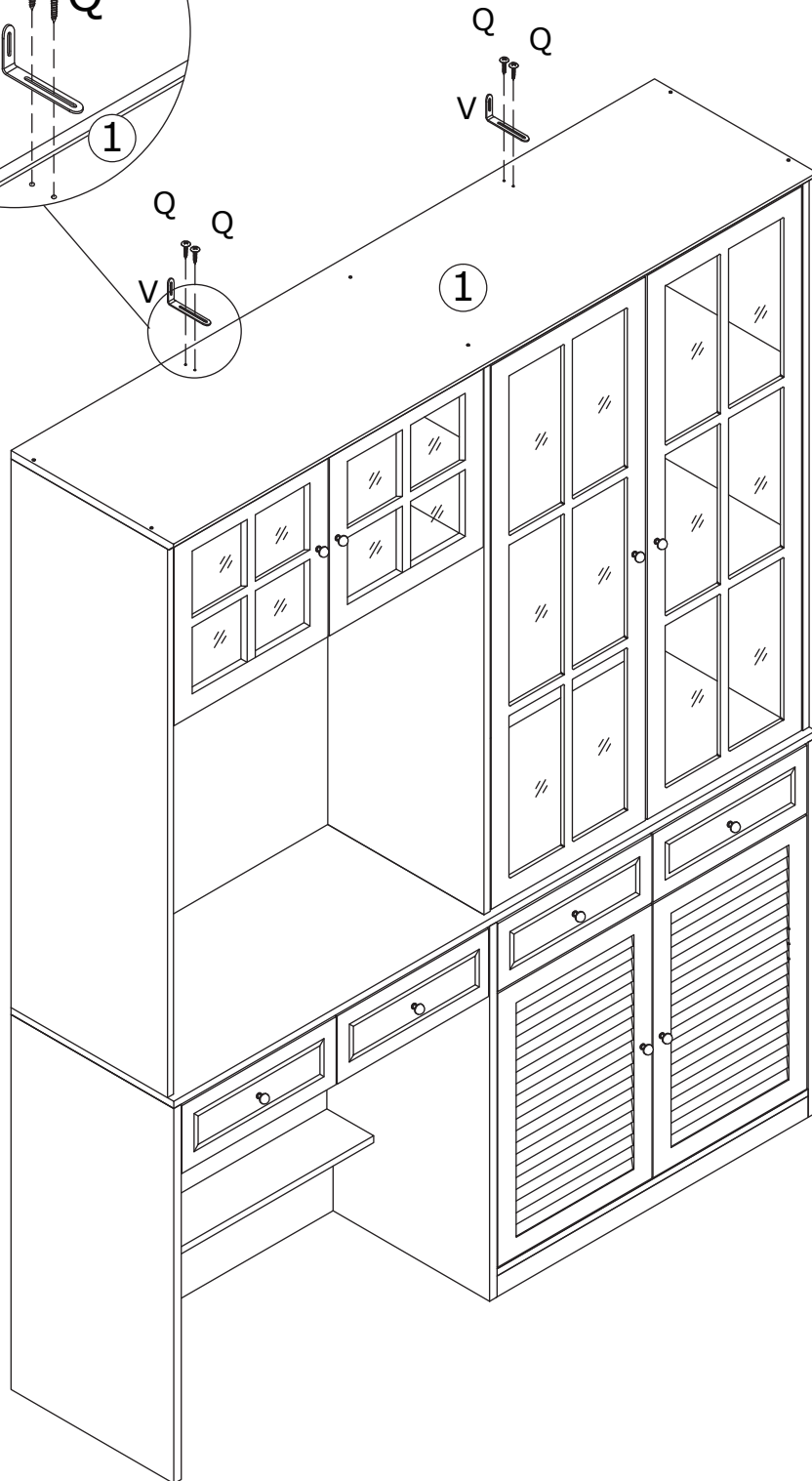
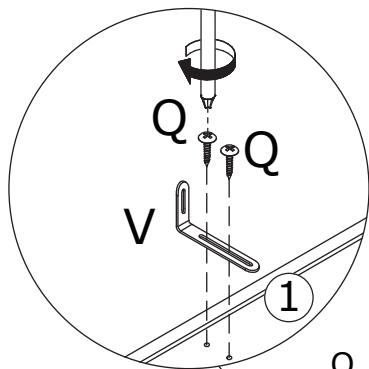
Insert buckle(Z) into back slots with screw(Y) as shown.



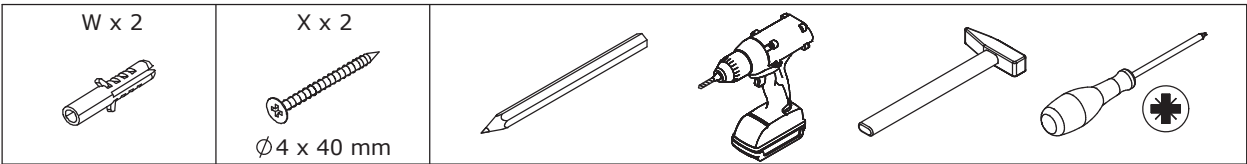
46



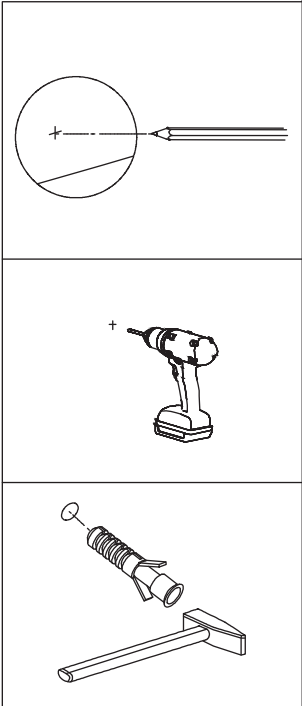
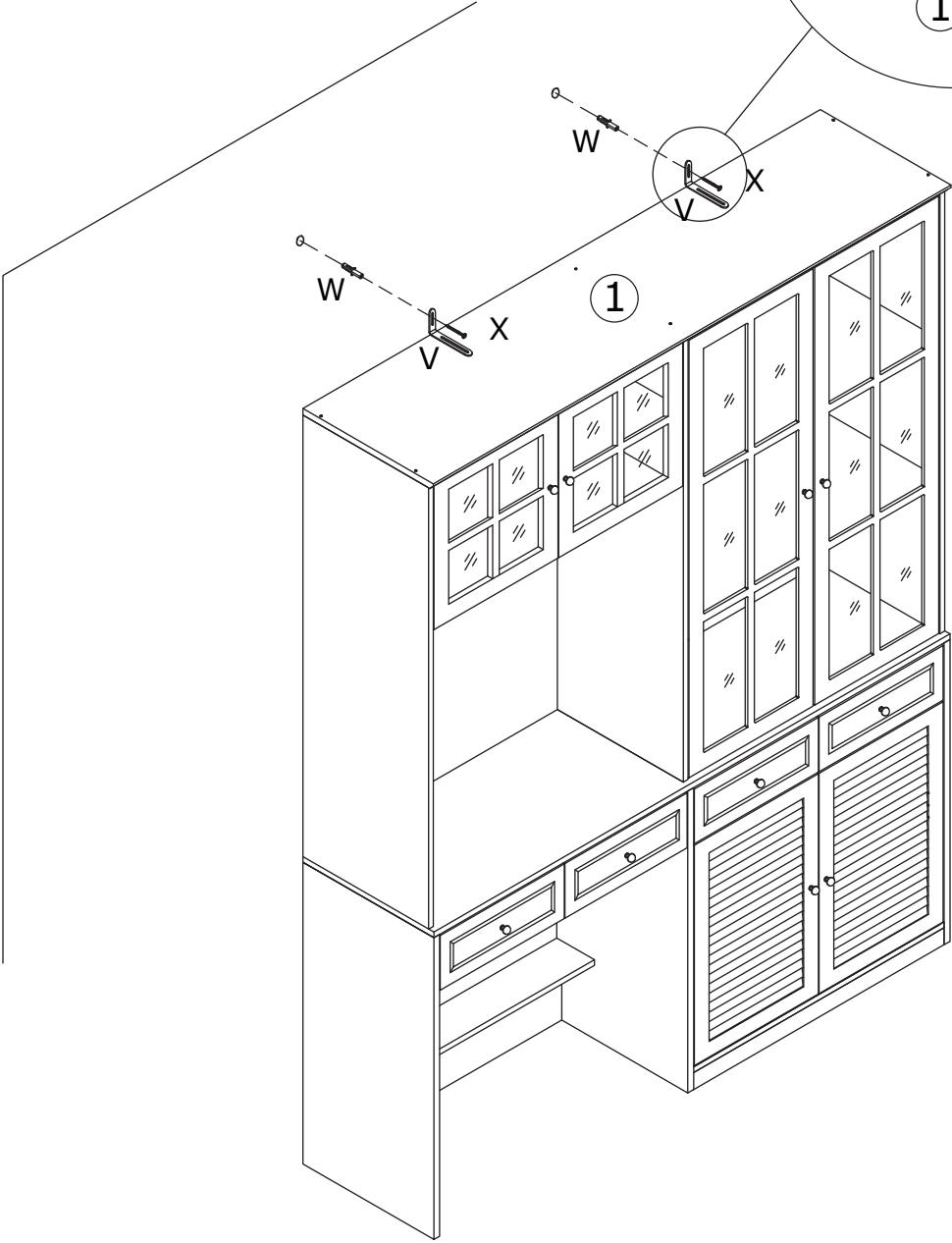
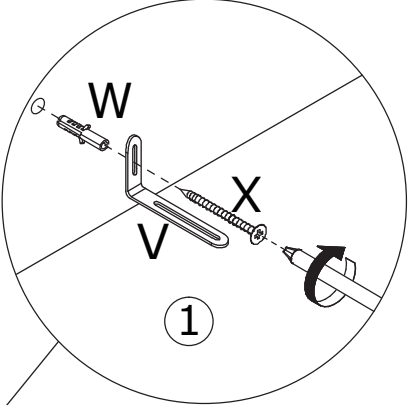
Fix part(V) with screw(Q) as shown.



47



Install anti-tipping dedvice as shown.



WARRANTY

WARRANTY CLAIMS

- There is a 30-day warranty for broken furniture or any other problems that do not work properly. The warranty will start from the date of purchase which must be verified by proof of purchase.
- Before making a claim, we may be able to answer your query, simply call us. Please leave your purchase order number, along with some details of the problem, if you want a replacement part. We will arrange within 48 hours. If there is out of stock, we will reply with a shipping date.
- The product must be used in accordance with the instructions provided. For health reasons.
- For other reasons, if the furniture needs to be returned, it must be cleaned and dried and operated within 30 days of receipt.

Type of Warranty Claim

- Failure to follow the furniture instructions will invalidate the warranty. Attention please.
- Does not include damage during installation, but includes damage during transportation.

Scope of responsibility

- Shall not bear any responsibility for misuse or user damage and / or loss of parts during the installation of furniture.
- After using, the damage and scratches of the furniture are not covered by the warranty.

The Warranty Relates to All Bought in The Us and Covers The Following Areas

- Sheet parts: 1 month from the date of purchase.
- Electrical parts: 1 month from the date of purchase.

RETURNS

CHANGED YOUR MIND AND NEED TO RETURN YOU ITEM?

PLEASE FOLLOW THE BELOW INSTRUCTIONS:

- If you have purchased and have simply changed your mind, follow the retailer's instructions for returns.

DEFECTIVE ITEMS

- If your item is defective in any way, i.e. it doesn't work but you can't identify why, in the first instance, please call us.

DAMAGED ITEMS

- If you receive an order with obvious shipping damage from the retailer, then we suggest the delivery is refused. If the delivery has been accepted and then shipping damage is found, please follow the specific instructions advised by the retailer. In all circumstances please save all packaging material and paperwork for the order. Please be aware that if you dispose of packaging material or attempt to return the merchandise without contacting the fulfiller, you jeopardise your chances of making a claim, and you may not receive a credit for the return.

AFTER-SALES CONTACT



feedbackstation@163.com



(303)800-6387