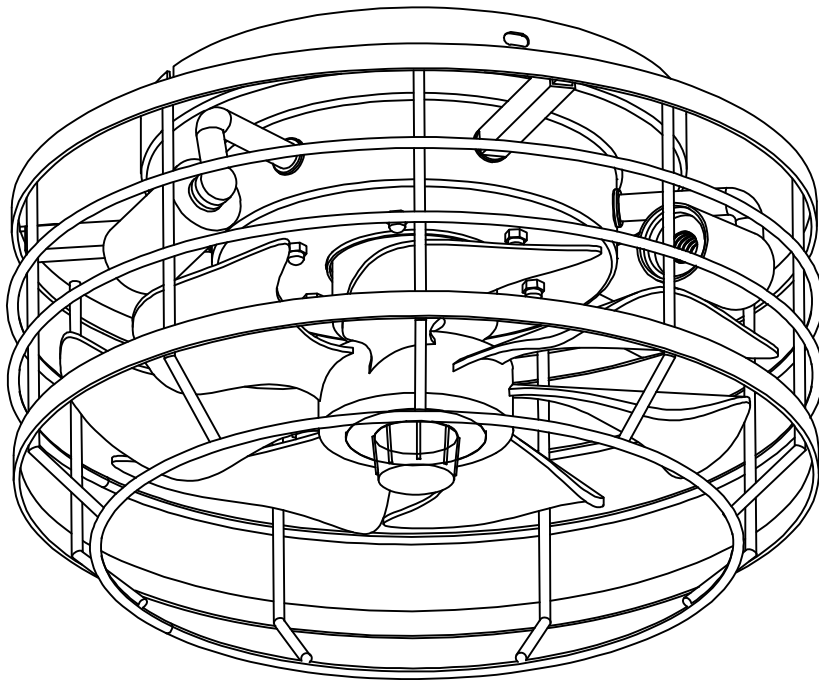


INSTALLATION & USER MANUAL

CEILING FAN WITH LIGHT



ITEM# 35087

Customer Service: support@ceilingfanhelp.com

Table of Contents

Table of Contents.....2
Safety Information.....2
Product Dimensions.....3
Hardware Included.....3

Installation Instructions.....4-8
Remote Control Operation.....9
Troubleshooting10

Safety Information

READ AND SAVE THESE INSTRUCTIONS

- 1, To reduce the risk of electric shock, ensure electricity has been turned off at the circuit breaker or fuse box before you begin.
2. All wiring must be in accordance with the National Electrical Code "ANSI/NFPA 70" and local electrical codes. Electrical installation should be performed by a qualified licensed electrician.
- 3, Make sure the outlet box and its support structure are securely mounted and rated to safely support a fan weighing up to 35 lbs (15.9 kg). Use only UL-listed outlet boxes that are clearly marked "Acceptable for Fan Support of 35 lbs (15.9 kg) or less." If you are unsure about safety or compatibility, please consult a qualified electrician.
4. Do not place objects in the path of the blades.
5. To clean the fixture ,turn off the power, wait for it to cool, and wipe the fixture with a clean dry soft cloth.
6. After making electrical connections, spliced conductors should be turned upward and pushed carefully up into the outlet box. The wires should be spread apart with the grounded conductor and the equipment-grounding conductor on one side of the outlet box and ungrounded conductor on the other side of the outlet box.
7. All screws must be checked and retightened where necessary before installation .



WARNING: To reduce the risk of electrical shock or fire, do not use this fan with any solid-state fan speed control device. it will permanently damage the electronic circuitry.



WARNING: To reduce the risk of fire or injury, do not use this product in conjunction with any variable(rheostat) wall control.



WARNING: To reduce the risk of personal injury, do not bend the blade brackets when installing the brackets balancing the blades, or cleaning the fan. Do not insert objects.



WARNING: To reduce the risk of fire, electric shock or personal injury, mount to outlet box marked "acceptable for fan support of 35 lbs. (15.9 Kg) or less "and use screws provided with the outlet box



WARNING: To avoid possible electrical shock, turn the electricity off at the main fuse box before wiring



WARNING:To reduce the risk of electrical shock, this must not be installed with an isolating wall control/switch, as it may cause incompatibility issues.



CAUTION: To reduce the risk of personal injury,use only the screws provided with the outlet box.



CAUTION: Please use carefully when working around or cleaning the fan to avoid injury or damage to the fan.

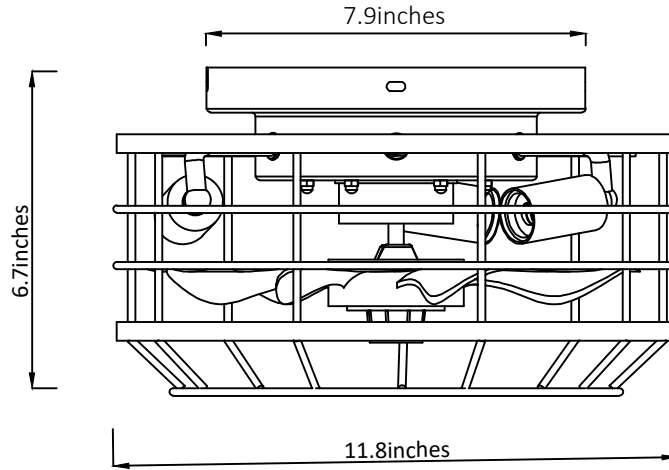


CAUTION: The fan must be mounted with a minimum of 7 ft (2.1 m) clearance from the trailing edge of the blades to the floor.

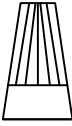
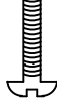

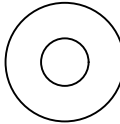




CAUTION: Unauthorized changes or modifications may void your right to operate this equipment.

Product Dimensions

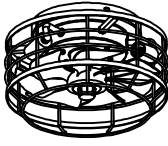
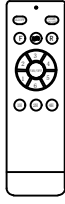
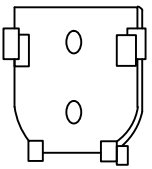
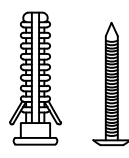


Hardware Included

1  Wire Nut	2  J-Box Screw	3  Rubber Expansion plug
4  Washer	5  Self-Tapping Screw	6  Expansion Screw

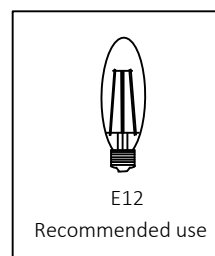
Hardware Package	Quantity
1.Wire Nut	3
2. J-box Screw	2
3.Rubber Expansion Plug	4
4. Washer	4
5. Self-Tapping Screw	4
6. Expansion Screw	2

Fan Parts Included

1  Ceiling Fan Housing	2  Remote Control
3  Remote Control Wall Plate	4  Remote Control Accessory Pack

Item Name	Quantity
1.Ceiling Fan Housing	1
2.Remote Control	1
3.Remote Control Wall Plate	1
4.Remote Control Accessory Plate	1

Buy yourself



To Be Purchased Separately
LED Bulb Not Included
Requires E12 LED Bulb
(Recommended)

Installation Instructions

Energy Saving Usage

Proper installation and use ensure optimal fan performance and energy savings. Follow these tips:

Optimal Fan Placement

Ceiling fans should be installed or mounted in the middle of the room and positioned at least 7.5 feet above the floor and 18 inches away from the walls. If the ceiling height allows, it is recommended to install the fan 7.5~9 feet above the floor to achieve optimal airflow.

Save Energy-Turn Off When Not in Use

If the room is unoccupied, turn off the ceiling fan to save energy.

Year -Round Fan Use

Summer Season: Use the ceiling fan in the counterclockwise direction. The airflow created by the ceiling fan produces a wind-chill effect, making you feel cooler. Select a fan speed that provides a comfortable breeze; lower speeds consume less energy.

Winter Season: Reverse the motor and operate the ceiling fan at a low speed in the clockwise direction. This produces a gentle updraft, which pushes the warm air near the ceiling down into the occupied space. Remember to adjust your thermostat when using your ceiling fan. This simple step can lead to additional energy and cost savings.

Installation Instructions

Electrical and Structural Requirements

"Your ceiling fan requires:

- ① A grounded electrical supply(AC 110-130V/60Hz, 15 Amp circuit).
- ① fan-rated outlet box (supports up to 35 pounds).

Ensure the outlet box is clearly labeled and rated for ceiling fan use.

If your fan is to replace an existing light fixture, turn power off at the main fuse box and remove the existing light fixture.



WARNING

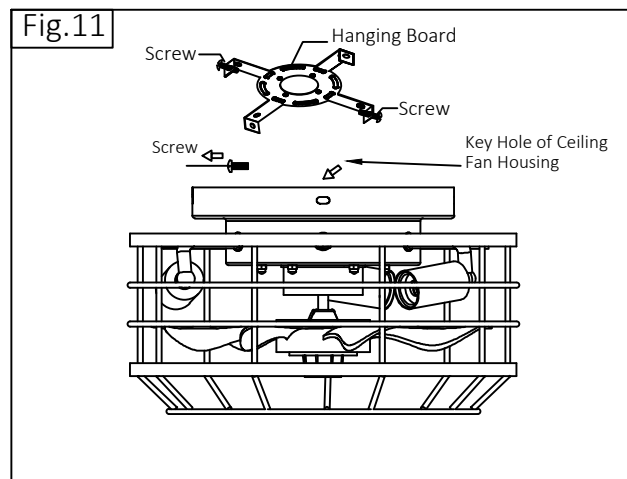
To ensure safety and prevent potential electrical shock, it is not sufficient to simply turn off the wall switch, Prior to wiring, make sure to turn off the electricity at the main fuse box, All wiring should be done in accordance with national and local electrical codes. Additionally, it is important to properly ground the ceiling fan as a precautionary measure against possible electrical shock. Following these guidelines will help ensure the safe installation and operation of your ceiling fan.



WARNING

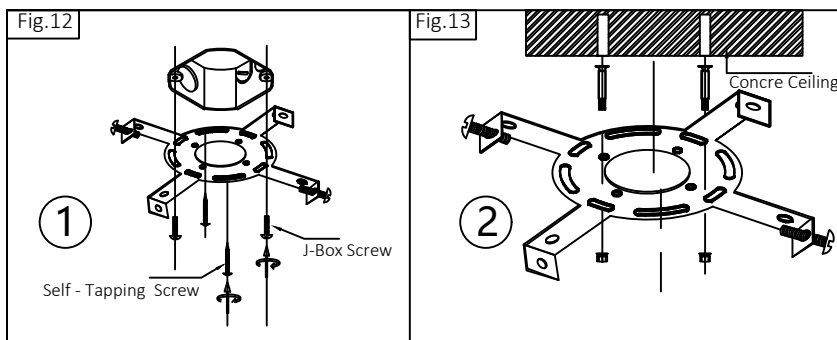
Do not use a variable (rheostat) wall controller or dimmer switch to operate this fan. Doing so can cause damage to the ceiling fan's remote control unit, it is recommended to only use the provided remote control.

Installation Instructions



1. Remove the Hanging Board

1. Remove the screw from the circular hole and set it aside for later use.
2. Loosen the other two screws in the key holes by 1/4 turn.
3. Turn the ceiling fan housing to release the hanging board and carefully remove it.

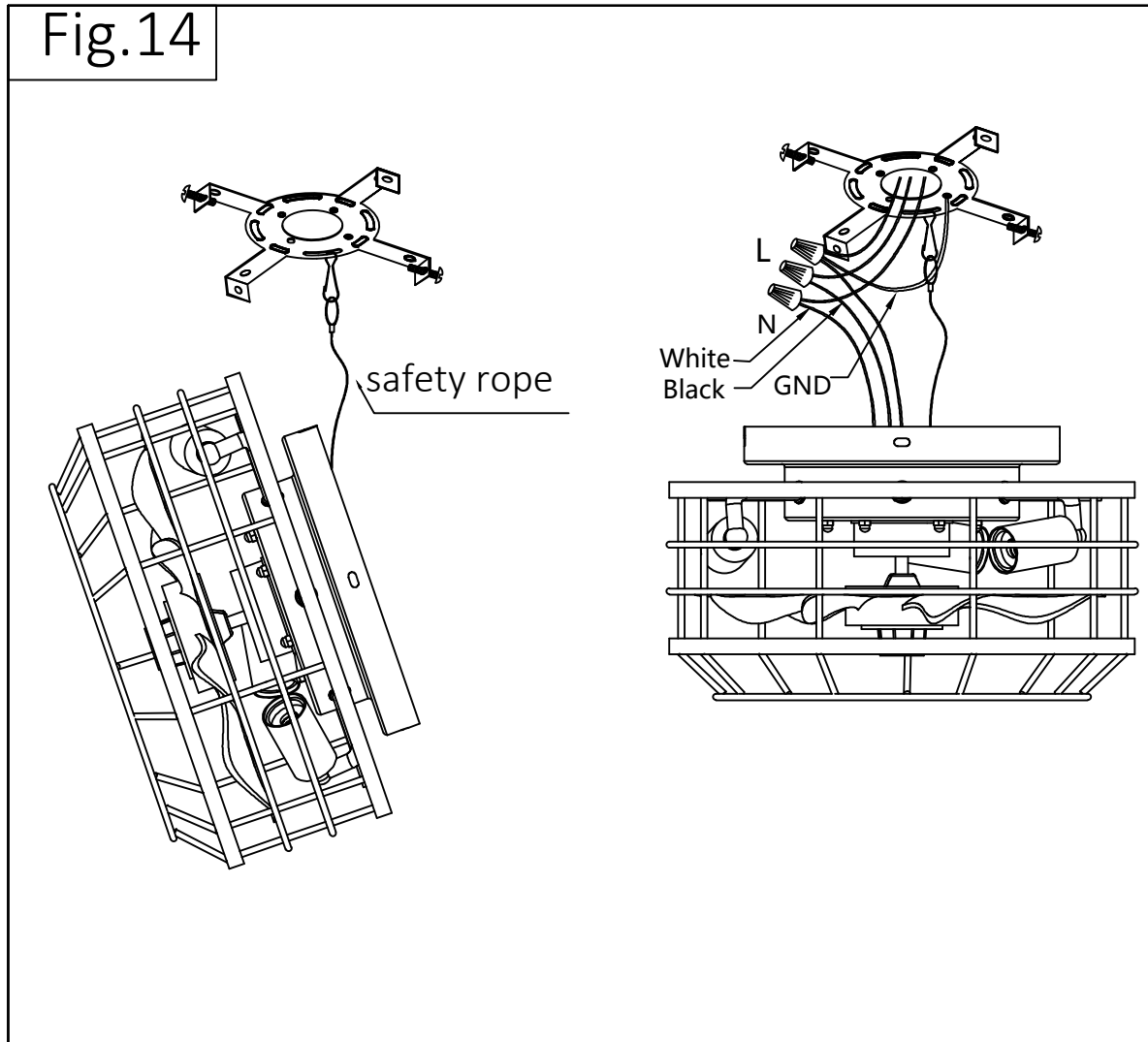


2. Install the Hanging Board

- Attach the hanging board to the outlet box (not included) using the provided J-Box screws.
- Secure the board to the ceiling with the two self-tapping screws.

3. Drill and Secure on Concrete Ceiling

- Drill an 8mm hole into the concrete ceiling.
- Insert the expansion screw into the hole.
- Align the bracket with the hole and tighten it securely with a nut.

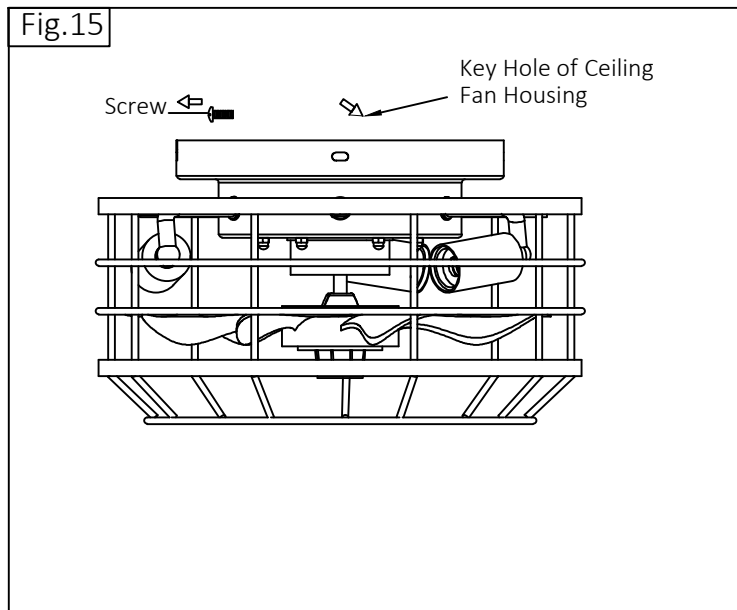


- Wiring Instructions

Tip: Use a safety rope to hang the ceiling fan for easier wiring

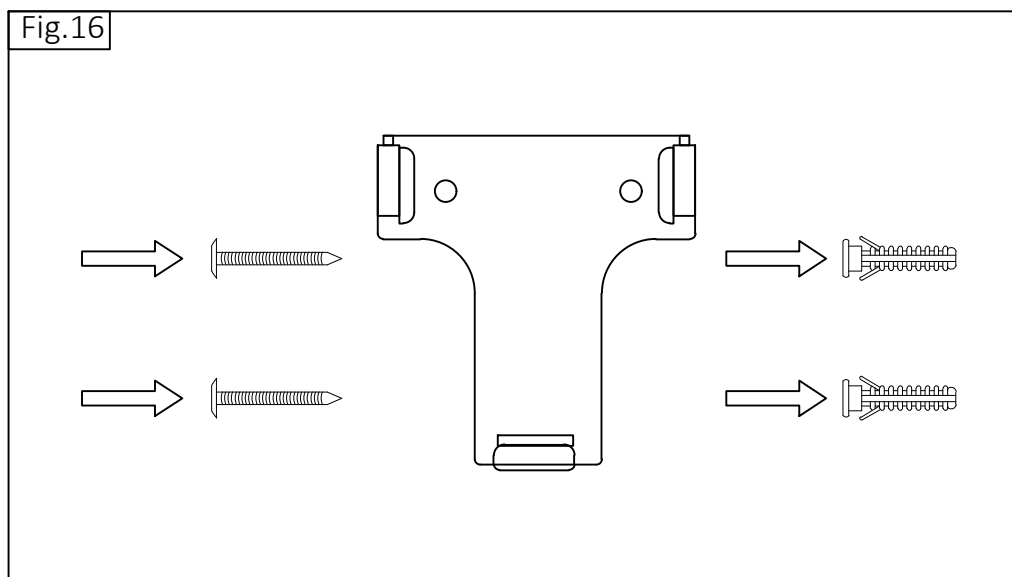
1. Neutral Wire: Connect the white wire (ceiling) to the white wire (fan).
2. Live Wire: Connect the black wire (ceiling) to the black wire (fan).
3. Ground Wire: Connect all green ground wires:
 1. From the hanging board
 2. From the fan
 3. To the ceiling interface

Installation Instructions



1. Mounting the Ceiling Fan Housing

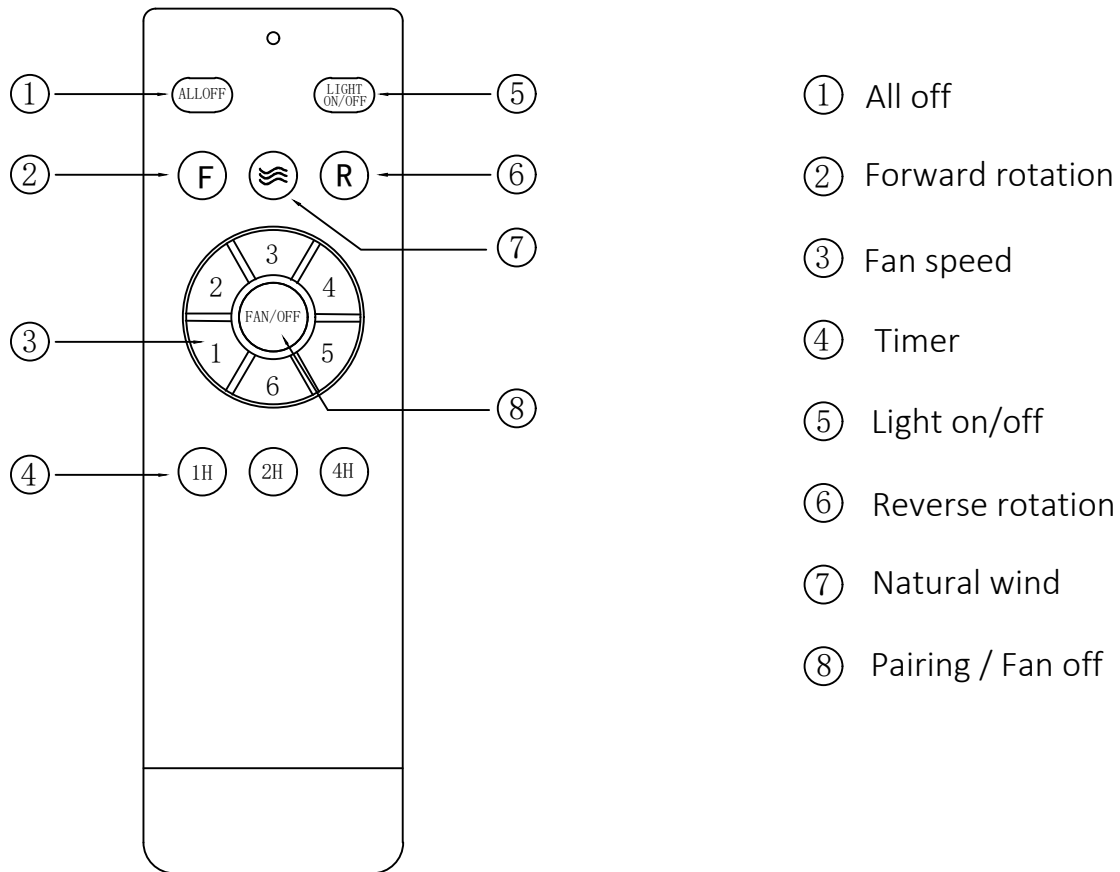
1. Align the key holes on the ceiling fan housing with the two loosened screws on the hanging board.
2. Turn the housing clockwise until it locks into place.
3. Tighten the two screws and reinstall the screw you removed earlier.



Installing Wall Plate

- Use the two screws and plastic anchors (provided) to attach the wall plate securely.

Remote Control Operation



Note

The remote control has been pre-paired at the factory and is ready for use after installation.

Pairing the Remote Control

1. Turn on the power switch.
2. Within 5 seconds, press and hold the "FAN /OFF" button on the remote control until pairing is complete.
3. If pairing fails, turn off the power, wait 10 seconds, and repeat the steps above.

Clearing the Remote Control Code

1. Turn on the power switch.
2. Within 5 seconds, press and hold the "All OFF" button to clear the code.

Troubleshooting

If the remote control does not operate the fan or lights:

1. Replace the AAA batteries (2 pieces, not included).
2. Pair the remote control again using the steps above.

Troubleshooting

Issue	Solution
The fan will not start.	<ul style="list-style-type: none"> <input type="checkbox"/> Check the main and branch circuit fuses or breakers. <input type="checkbox"/> Check the line wire connections to the fan. <input type="checkbox"/> Check the battery in the remote control. <input type="checkbox"/> Ensure you are in the normal range of 10-20 feet. <input type="checkbox"/> Turn the main power source off and then restore the power to the unit. Within 3 seconds of turning the fan's AC power ON, press and hold the "ON/OFF" button for 5 seconds to complete the "pairing process". Once the receiver has detected the set frequency, the LED light of the fan will blink once.
The fan is noisy.	<ul style="list-style-type: none"> <input type="checkbox"/> Ensure all motor housing screws are snug. <input type="checkbox"/> Ensure the wire nut connections are not rattling against each other. <input type="checkbox"/> Allow a 24-hour "breaking in" period. Most noises associated with a new fan disappear during this time. <input type="checkbox"/> Ensure the canopy is a short distance from the ceiling. it should not touch the ceiling. <input type="checkbox"/> Ensure your outlet box is secure and rubber isolator pads were used between the mounting plate and outlet box.
The fan wobbles.	<ul style="list-style-type: none"> <input type="checkbox"/> This fan has a one-piece blade design, fan blade balancing kit is not applicable to this product. <input type="checkbox"/> If the fan wobbles, disconnect the power by removing the fuses or turning off the circuit breakers from the main power source, then check with the following: Remove the grille from the fan body by first removing the decorative cap at the center of the grille by rotating the decorative cap anti-clockwise, use a Philips screwdriver to tighten the screw inside of the plastic threaded nipple <input type="checkbox"/> If the wobbling persists, adjust the angle of the grille slightly to make it more perpendicular to the ground. <input type="checkbox"/> If the problem persists, please contact our customer service.
Fan moves backwards and forwards when turned on.	<ul style="list-style-type: none"> <input type="checkbox"/> This is normal start-up procedure for Dc motor fans. The partial movement during start-up is the result of the DC motor aligning the internal magnetic poles for proper motor operation. This design saves electricity and allows the fan to operate much quieter than standard AC motor fans.