

Thank you for purchasing our
**Pacer Pro™ Fertilizer and
Salt Spreader | Assembly Instructions**

The 
Andersons®

**We're delighted to have you as a customer
and are here to help! First off, let's get your
product assembled!**

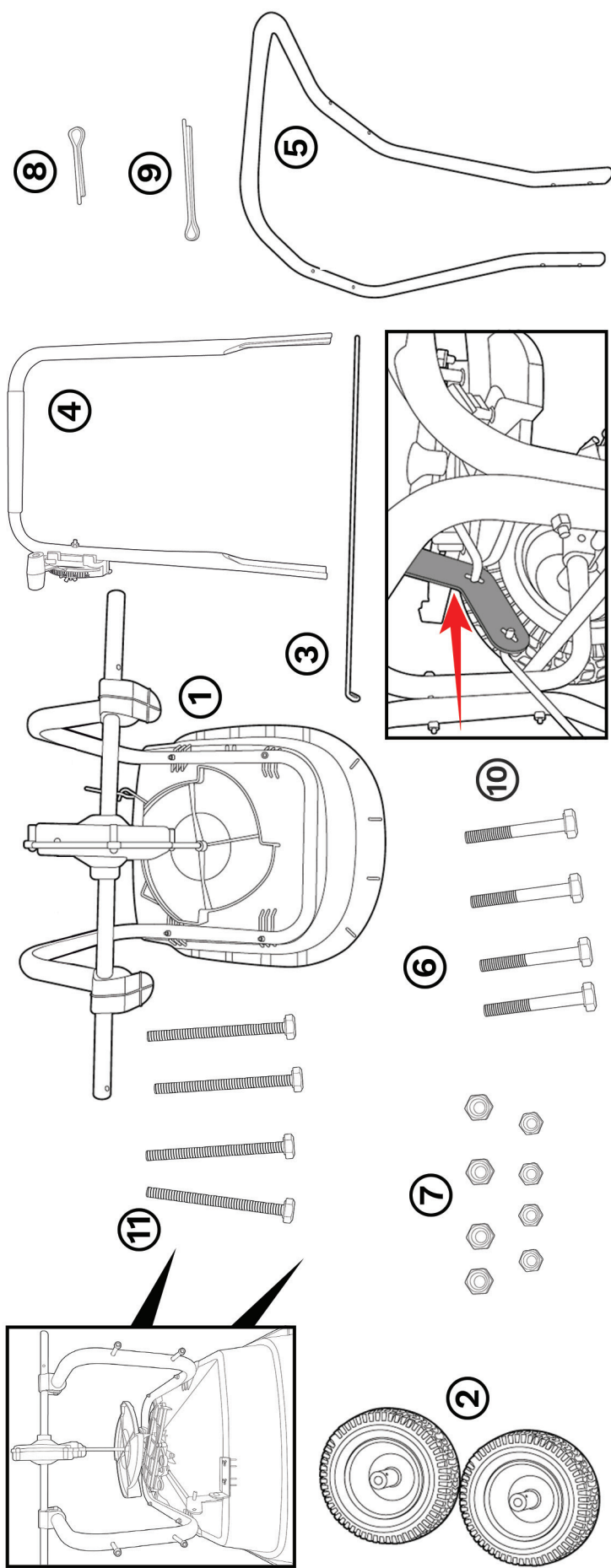
Table of Contents:

- 1:** Spare Parts
- 2-4:** Assembling Your Pacer Pro
- 5-6:** How to Swap Over the Material Plates
- 7:** How to Use the Pacer Pro
Broadcast Settings Guide
- 8:** Warranty



**3 YEAR
WARRANTY!**

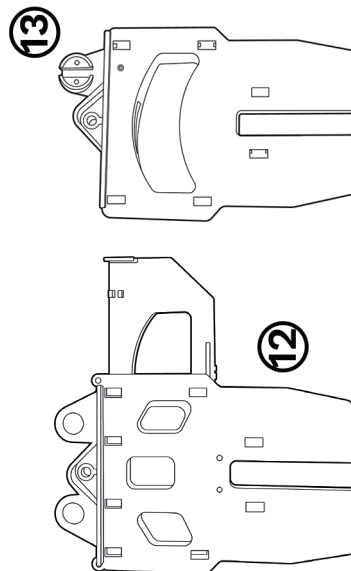
Spare Parts



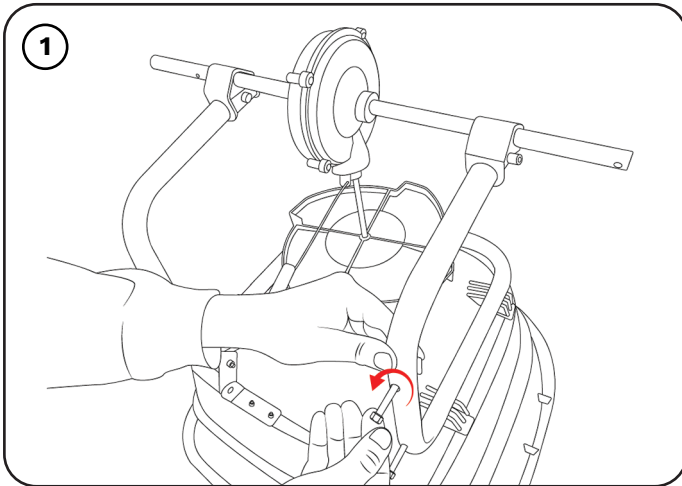
Empty all contents of the box onto a flat surface and count parts to make sure all are there.

PACER PRO™ PARTS LIST:

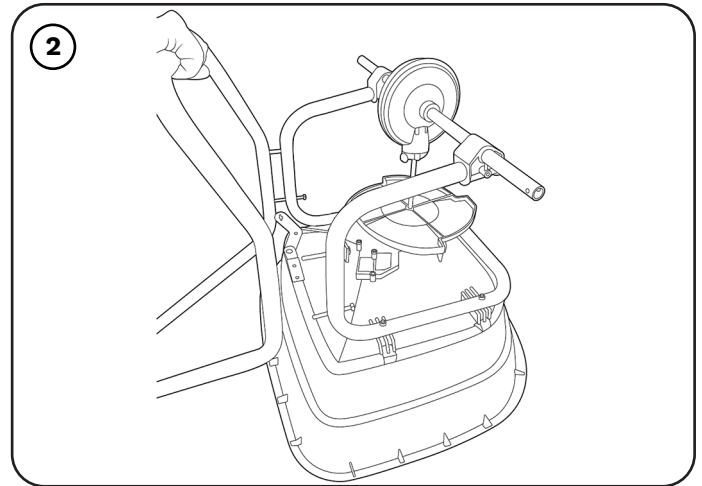
- | | | |
|------------------------|----------------------|---------------------------|
| 1. Hopper Body & Frame | 6. 4 x M6 x 45 Bolts | 11. 4 x M6 x 65 Bolts |
| 2. Pneumatic Wheels | 7. 8 x M6 Lock Nuts | 12. Summer Material Plate |
| 3. Control Rod | 8. Small Cotter Pin | 13. Winter Material Plate |
| 4. Handle Bar | 9. Large Cotter Pin | |
| 5. Back Stand | 10. Pivot Bracket | |



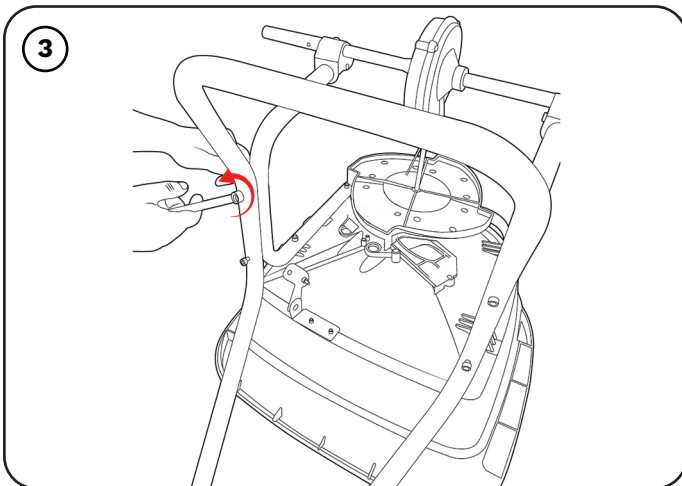
Assembling your **Pacer Pro™**



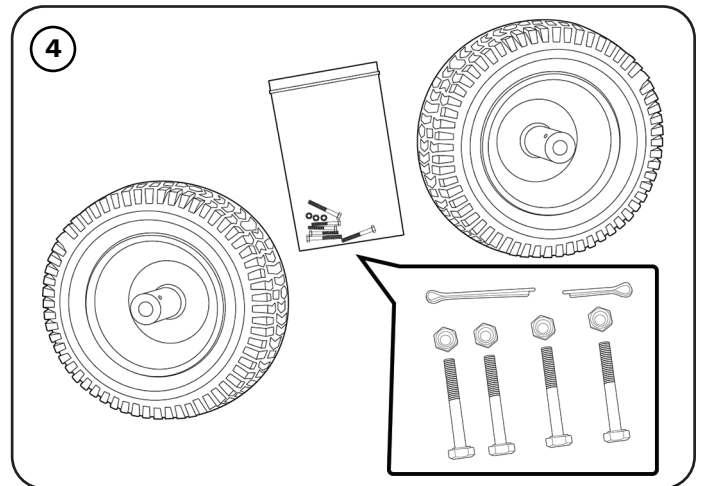
Place the Hopper body (1) on the table so that the gearbox is pointing upwards. Take the bolts out of the main frame (1) - you will use these to attach the back stand to the hopper body and main frame (1). Remove the nuts from the bolt ends.



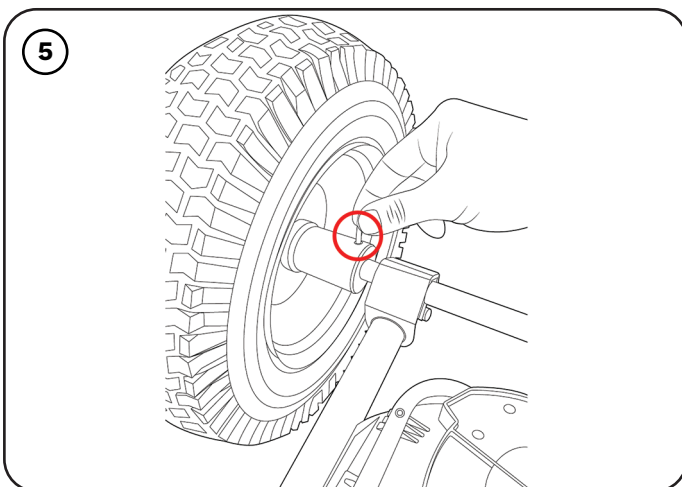
Take the back stand (5) and align it with the holes on the main frame (1). Place the four bolts through the holes available.



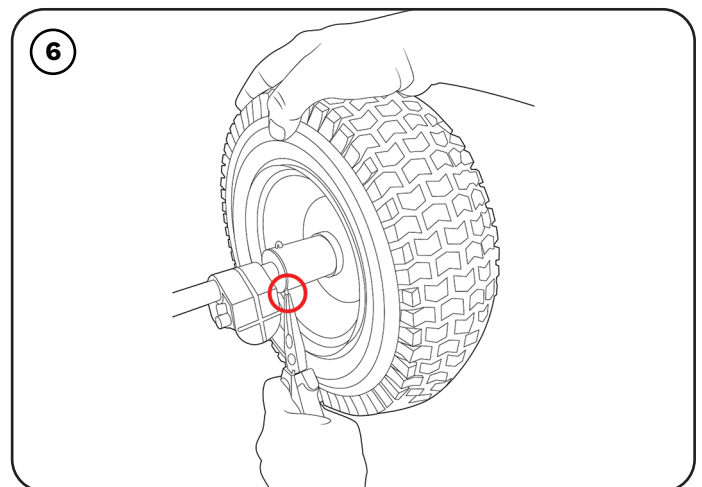
Use a spanner to tighten the lock nuts. The back stand (5) should now be securely attached to the hopper body and frame. (1).



Take the pneumatic wheels (2) and slide them over the axles on each side of the main frame (1). You will also need the two cotter pins (8 & 9) that sit inside the parts bag.

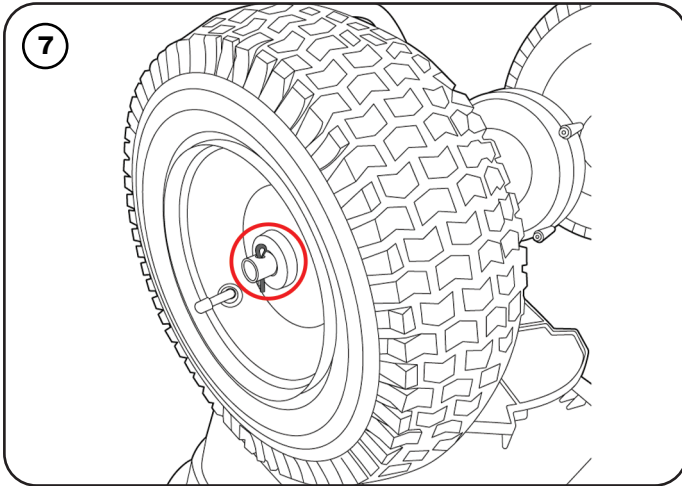


Align the hole on the inside of the pneumatic wheel (2) with the hole on the axle. Take the large cotter pin (9) and thread it through the two holes.

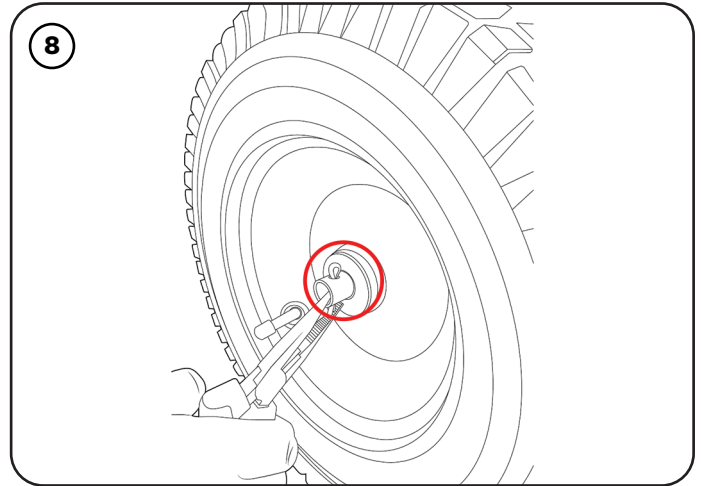


After threading the cotter pin (9) through the two holes, use a pair of pliers to pull apart the two ends of the cotter pin (9). The wheel will then be secured in place.

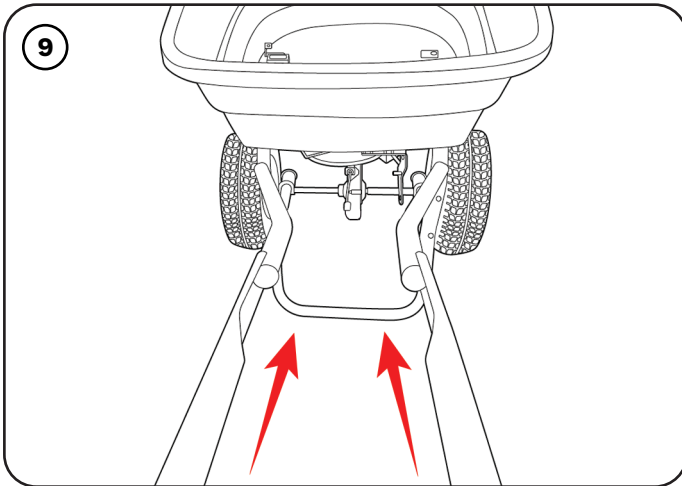
Assembling your **Pacer Pro**™



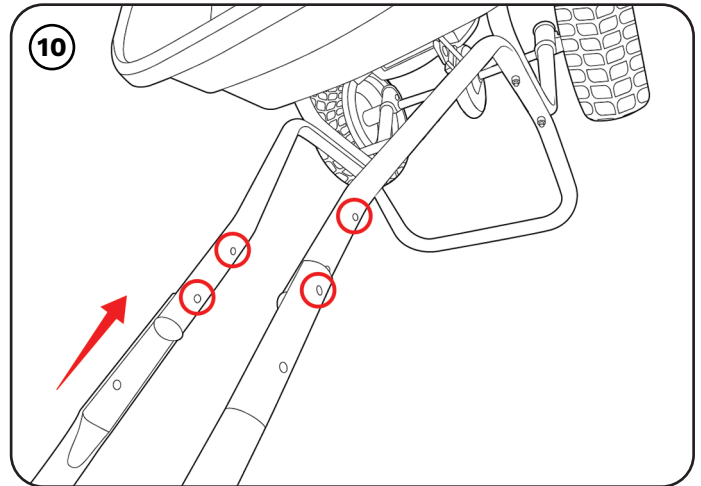
Take the small cotter pin (8) and place it through the hole on the outside of the other wheel.



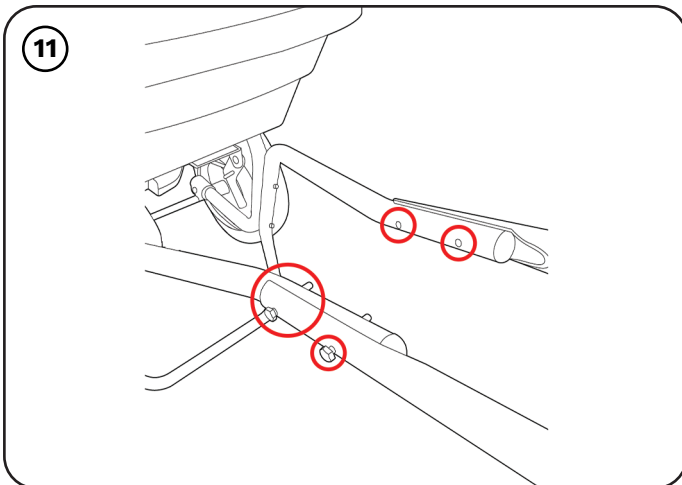
Once in position, use the same pliers to split the ends of the cotter pin (8) to hold the wheel in place.



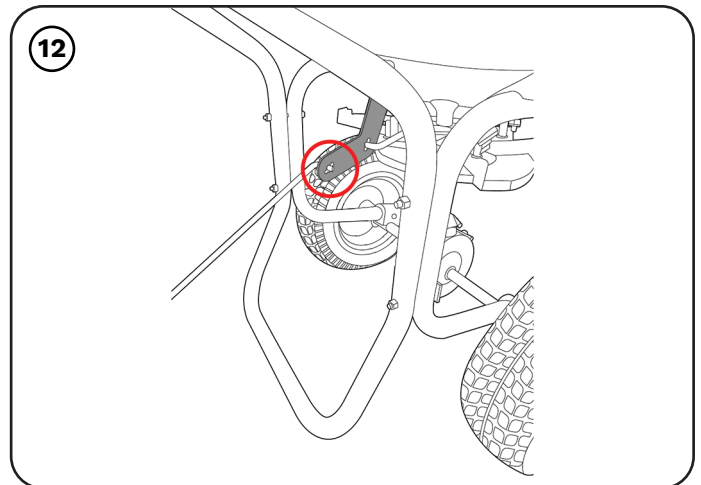
Turn the hopper body and main frame (1) over so that the spreader sits on its wheels and back stand. Take the handle bar and slide it down the two ends of the back stand.



Align the holes on the handle bar and on the back stand (5).

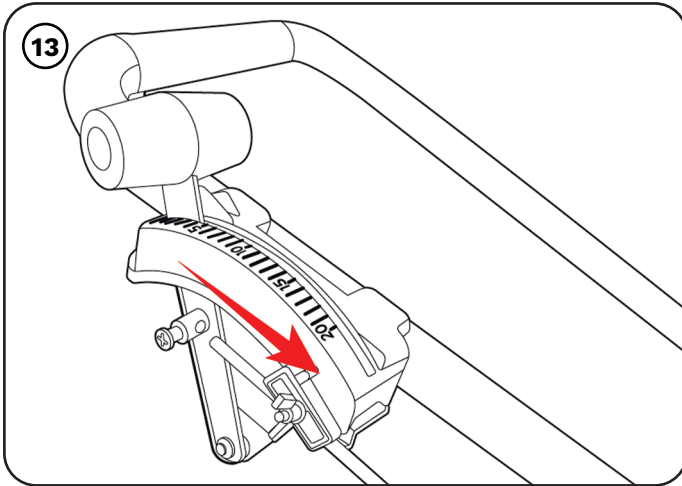


Thread the four remaining bolts (6) through the holes on the handle bar (4) and the back stand (5).

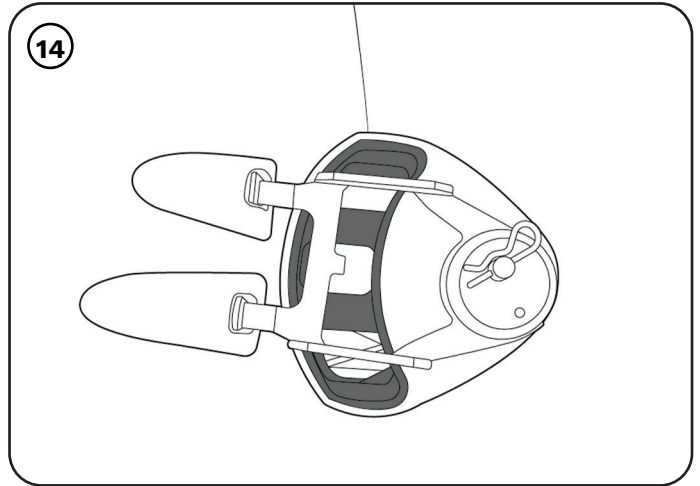


Take the bent end of the control rod (3) and thread it through the hole at the back of the pivot bracket. It should lock into place.

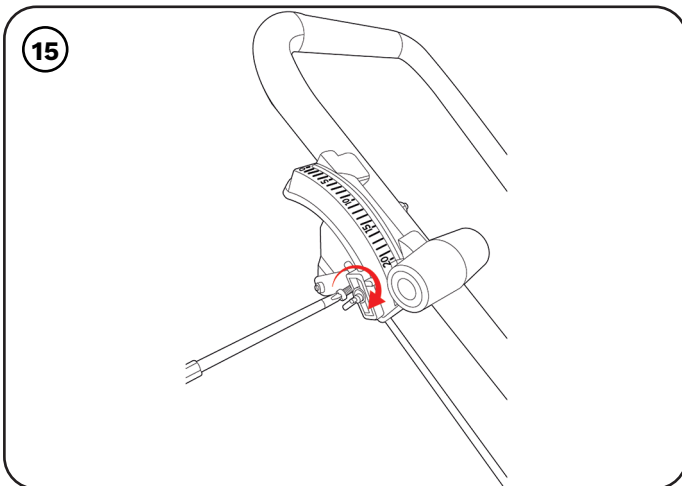
Assembling your **Pacer Pro™**



Take the other end of the control rod (3) and align it with the hole on the on/off mechanism of the handle bar (4). Push the on/off lever all the way to 20 and then hand tighten the screw.

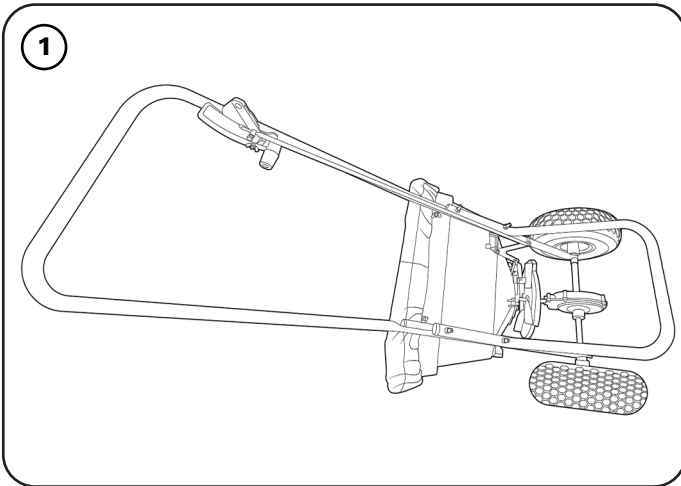


Make sure the slider at the bottom of the hopper is fully open. You should see the entirety of the holes or hole on the slide system.

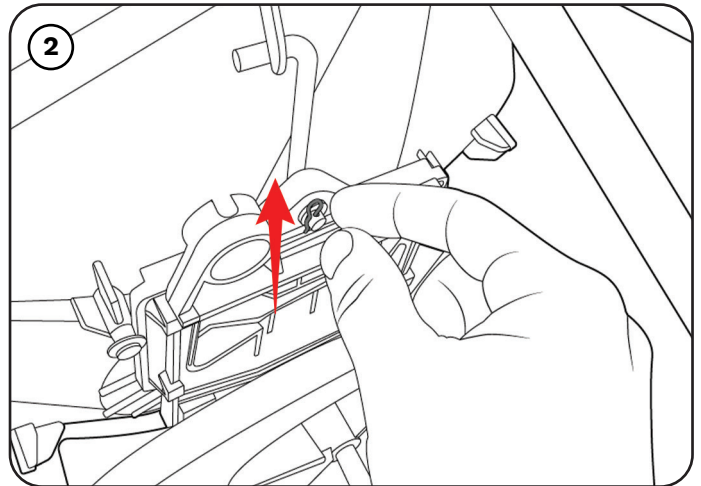


If the application hole is fully open and the lever is set at 20, tighten the screw so that the control rod (3) is secure.

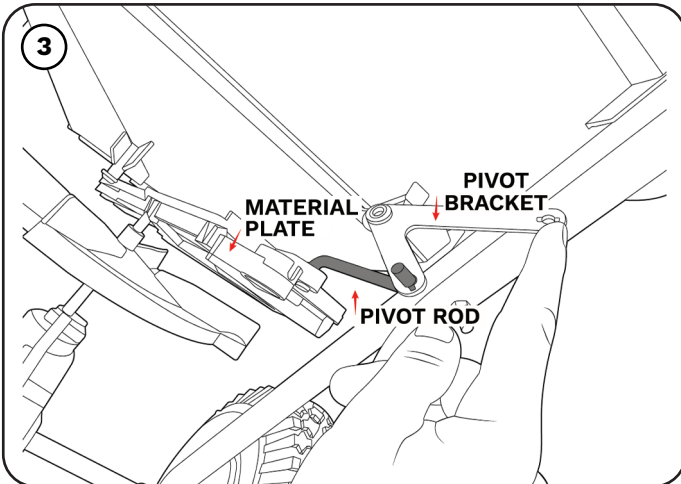
How to Swap Over the Material Plates



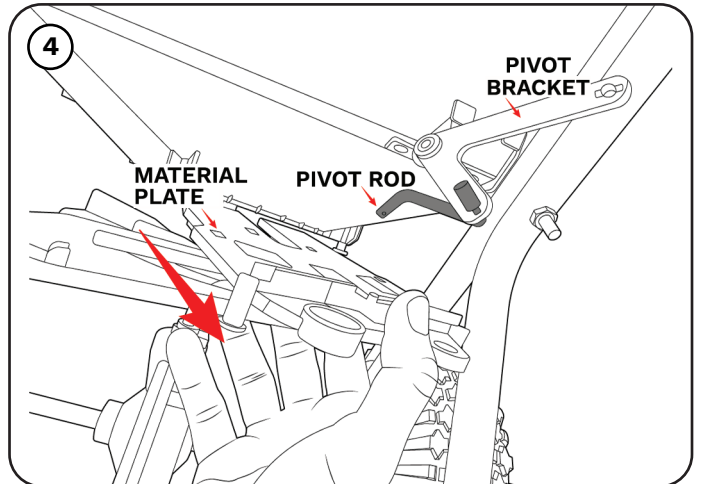
1 Place the finished unit onto a table so that the back of the spreader is easily accessible.



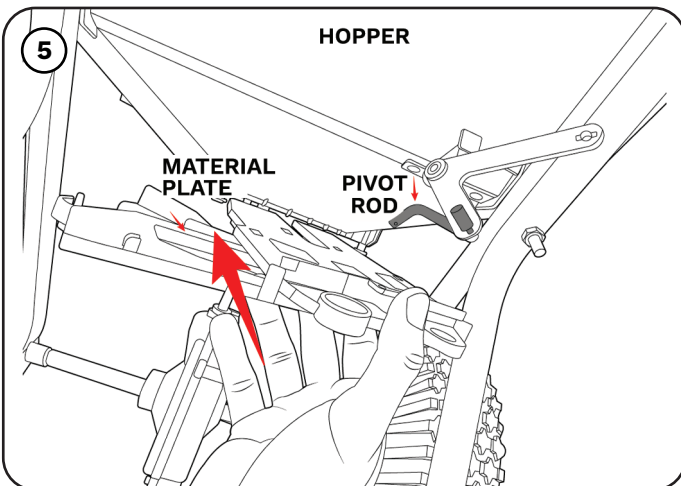
2 Locate the R-pin that helps hold the material plate in place on the underside of the material plate. Remove the R-pin.



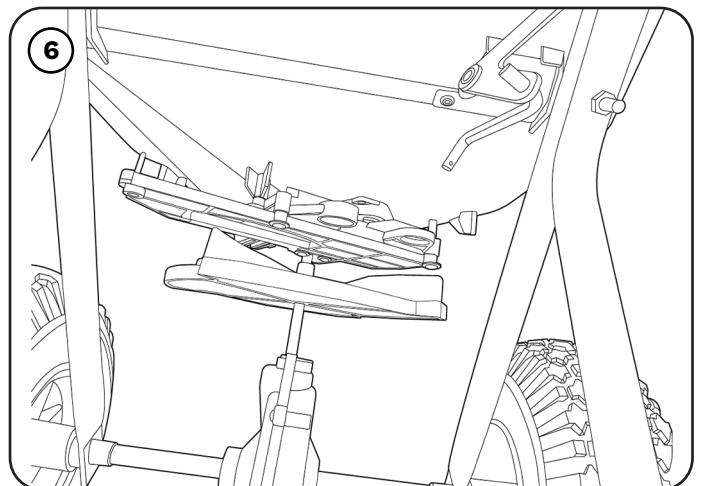
3 Push the top of the pivot bracket so the material plate is pushed back and the pivot rod is loosened.



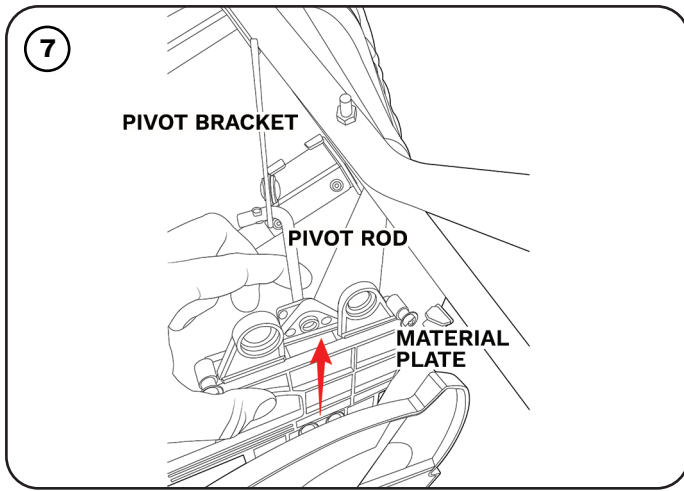
4 Remove the pivot rod by pushing the tip through the hole at the top of the material plate. When the pivot rod is removed, remove the material plate.



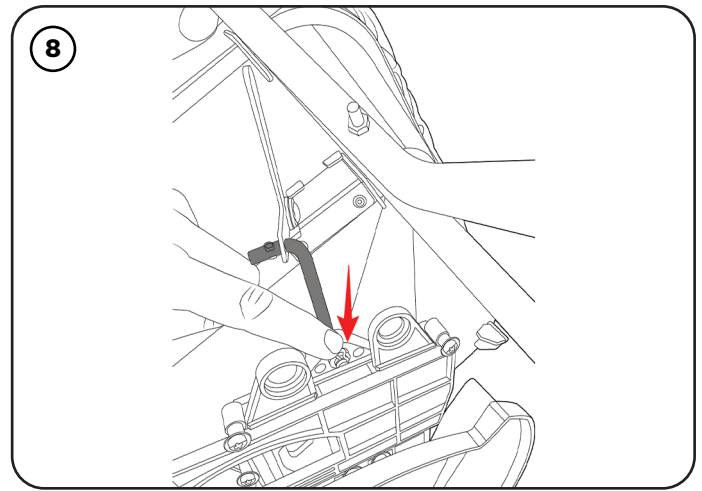
5 When you have removed the material plate you no longer wish to use, find the alternative material plate and push it into the grooves on the bottom of the hopper.



6 The material plate should be secure and sit level underneath the hopper. It should slide smoothly in and out of the grooves.



Pull the material plate out slightly to allow space to insert the pivot rod back into the pivot bracket and material plate.

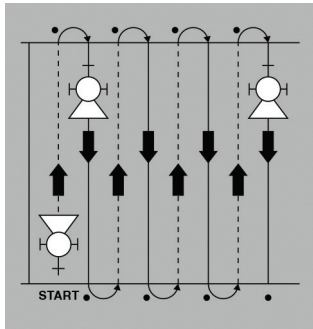


Push the bottom end of the pivot rod into the hole at the top of the material plate and secure with the R-pin.

How to use the **Pacer Pro™**

Step 3: Walking Patterns for the optimum application (For Fertilizer Only)

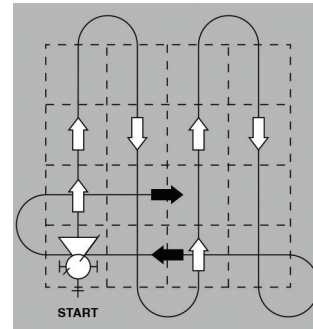
There are two methods of effective spreading, longitudinal fertilizer spreading and cross sectional fertilizer spreading.



Cross Sectional Fertilizer Spreading

Use ½ the application rate suggested on the back of your fertilizer bag

Cover the area as shown. Repeating by a second pass in the same manner going across the area as shown in the diagram.



Broadcast Settings Guide

Pacer Pro	Scotts	Earthway	Lesco	Yard Star
7	2 3/4	11	9	11
8	3	12	10	12
9	3	13	11	13
10	3 1/2	14	12	14
11	4	15	12 1/2	15
12	4 1/2	16	13 1/2	16
13	5 1/2	17	14	17
14	7	18	15	18
15	8	19	18 1/2	19

Warranty Statement

Three-year Professional Limited Warranty The Andersons warrants this product free of defects in original workmanship and materials for a period of three years to the professional user with the original purchase receipt. If a manufacturing non-conformance is found, The Andersons at its discretion will repair or replace the part(s)/product at no charge provided the failure is not the result of incorrect installation, mishandling, misuse, tampering, or normal wear and tear as determined by The Andersons. The Andersons at its discretion may require that the part(s) or product be returned along with the original purchase receipt for examination and compliance with the terms of this warranty. Do not return any product without first receiving authorization from The Andersons. To seek remedy under this warranty, contact The Andersons at info@andersonslawn.com. **SPECIFIC LIMITATIONS:** This warranty covers only the part(s) or product; any labor charges associated with repair or replacement of non-conformances are specifically excluded. Due to the corrosive nature of most fertilizers and ice melt products, The Andersons makes no warranty against and specifically excludes part(s) or product degradation or failure due to corrosion or its effects.

For more information

AndersonsLawn.com
info@andersonslawn.com
877-474-8262



WARNING This product contains chemicals known to the State of California to cause cancer or other reproductive harm.