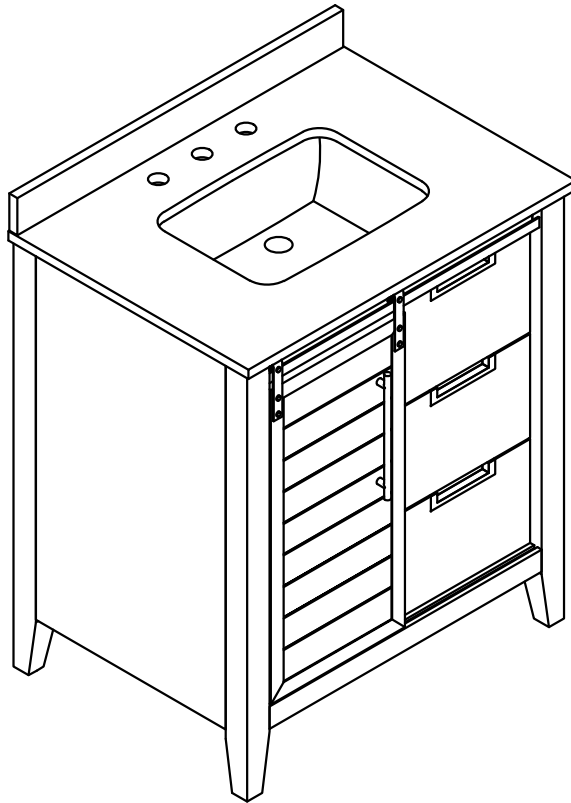


Welcoming • Sophisticated • Inspiring

allen + roth®



MODEL NUMBER	DESCRIPTION
TJ-0113V3022BR	Haverhill Vanity With Top Combo Summer Oak Finish Engineered Black Marble Top
TJ-0113V3022GR	Haverhill Vanity With Top Combo Weathered Oak Finish Engineered Black Marble Top

ALLEN + ROTH and logo design are trademarks or registered trademarks of LF, LLC. All rights reserved.

ITEM #5288054, 5288052

30" HAVERHILL VANITY WITH TOP

MODEL # TJ-0113V3022BR, TJ-0113V3022GR

ATTACH YOUR RECEIPT HERE

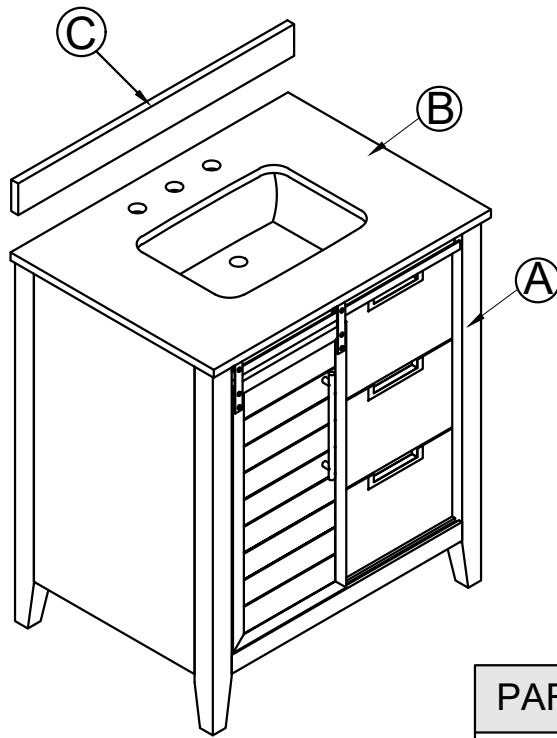
Serial Number _____ Purchase Date _____

Questions, problems, missing parts? Call our customer service department at 866-439-9800, 8 a.m - 8 p.m.. EST, Monday - Sunday. You could also contact us at ascs@lowes.com.

TABLE OF CONTENTS

Package Contents.....	3
Safety Instructions.....	3
Preparation.....	4
Assembly or Installation Instructions.....	4
Care and Maintenance.....	7
Warranty.....	7
Replacement Parts List.....	8
Optional-Remove Top.....	10

PACKAGE CONTENTS



PART	DESCRIPTION	QUANTITY
A	Vanity	1
B	Vanity top	1
C	Backsplash	1

SAFETY INSTRUCTIONS

Please read and understand this entire manual before attempting to assemble, operate or install the product.

WARNING

- Unpacking requires two adults and several steps are more easily handled with two adults.

CAUTION

- **DO NOT** try to pry off top from vanity, as damage to top or vanity may occur.
- Follow these instructions closely, take your time, and use care while assembling this vanity.

KEEP THESE INSTRUCTIONS FOR FUTURE REFERENCE.

PREPARATION

Before beginning assembly of product, make sure all parts are present. Compare parts with package contents list and hardware contents list. If any part is missing or damaged, do not attempt to assemble the product.

Estimated Installation Time: 20-30 minutes (24 hours for silicone caulk to dry).

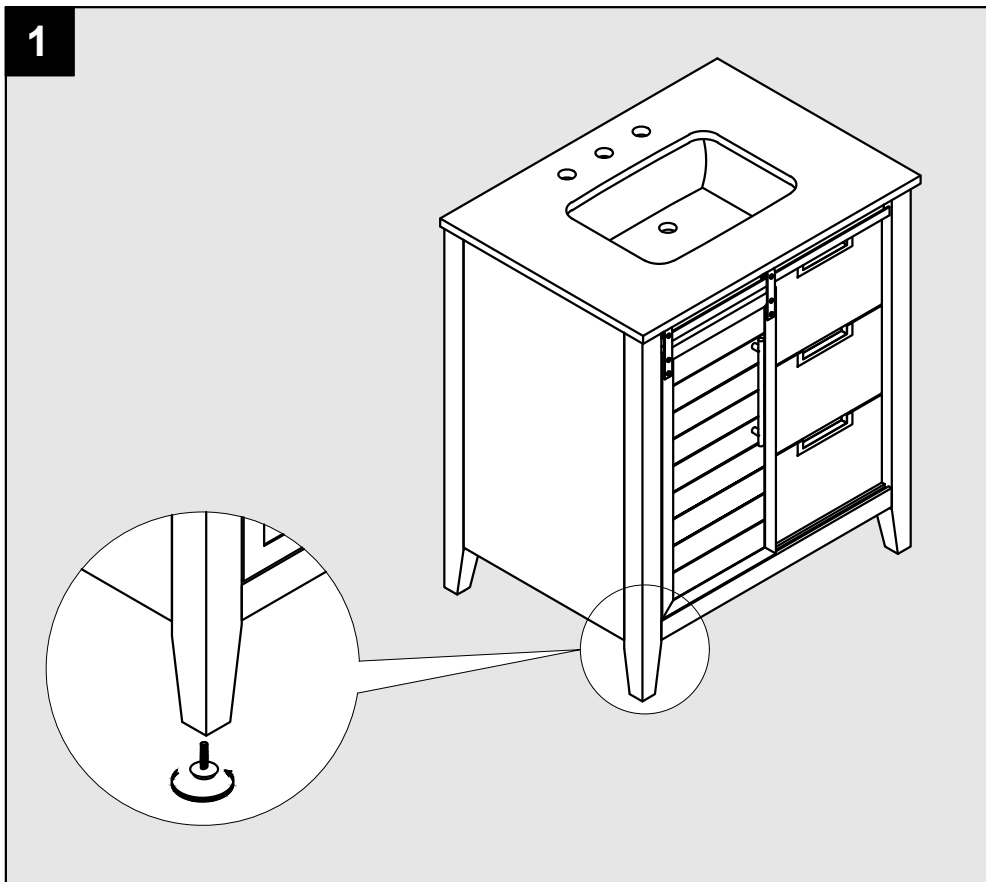
Tools Required for Installation (not included): Phillips screwdriver, utility knife or scissors, silicone caulk, power drill with drill bit.

Helpful Tools (not included): Measuring tape, level.

INSTALLATION INSTRUCTIONS

1. Adjusting the leveler

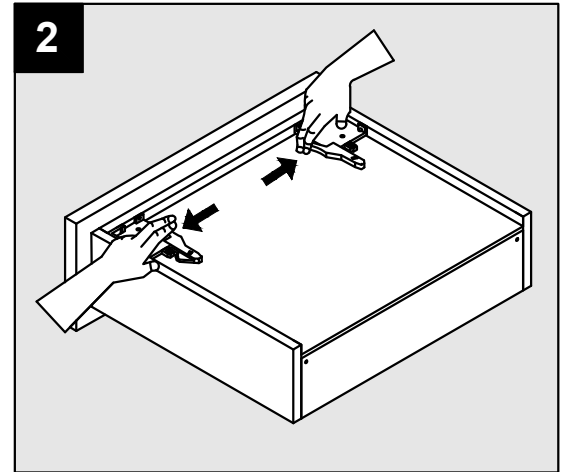
- Adjust the leg levelers to ensure that the vanity is even.



INSTALLATION INSTRUCTIONS

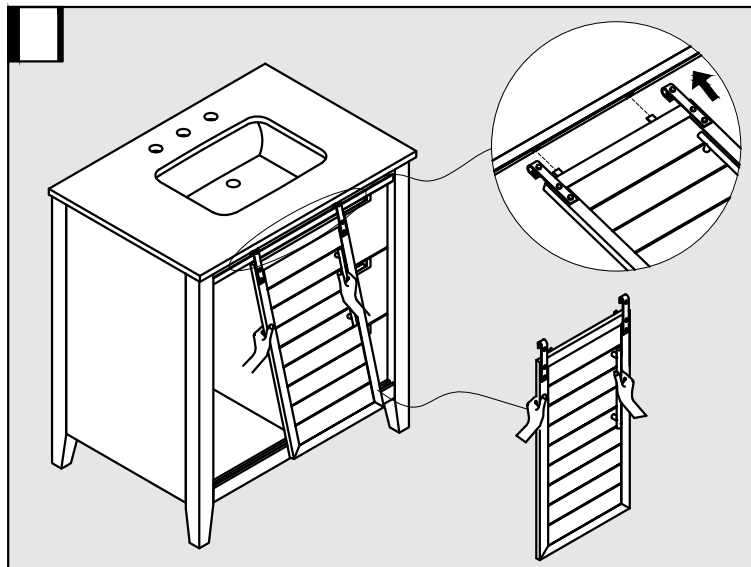
2. Removing the drawer (optional)

- Fully extend the drawer.
- Pull the two latches outward under slide of the drawer to release the lock.
- Simultaneously tilt and lift the drawer upwards to pull it out of the vanity (A).

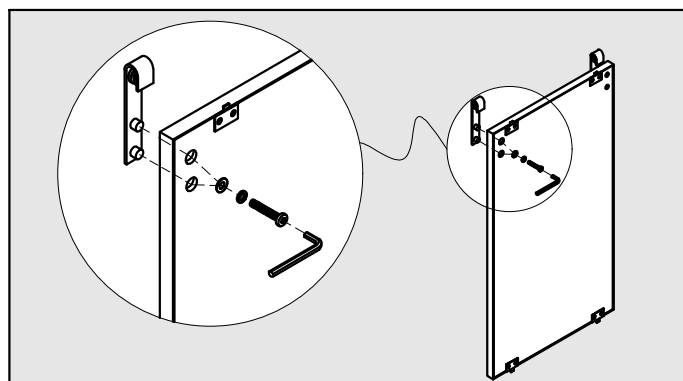


3. Removing the door (optional)

- Slide the door in the middle where two brackets could pass through two holes under the top metal rail.
- Gently lift up the door, take bottom of door out of the bottom metal rail first, then take the whole door out.



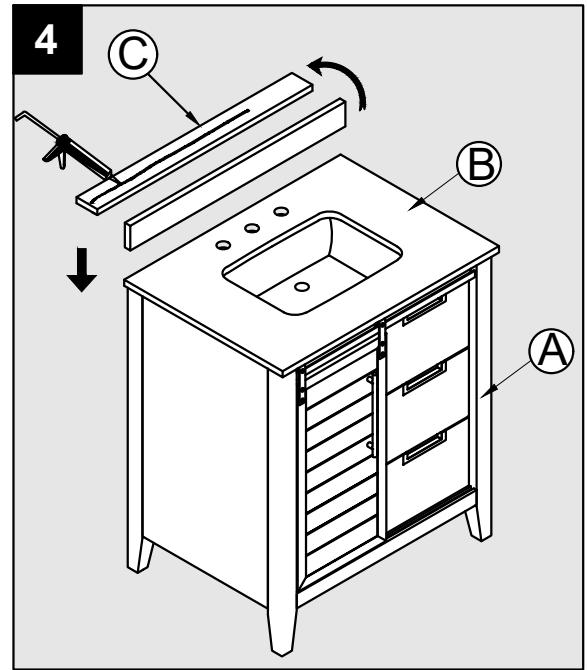
Note: In case replacing the slider sub-assembly, untighten the bolts with Allen wrench (not included).



INSTALLATION INSTRUCTIONS

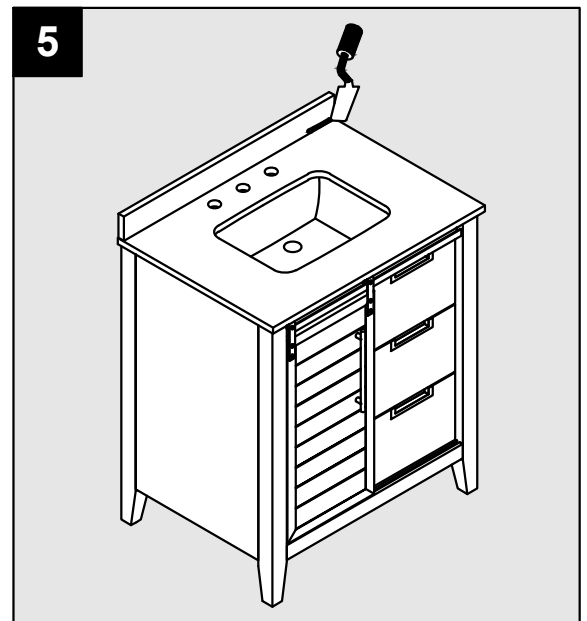
4. Installing the Backsplash

- Apply silicone to the back and one long edge of the Backsplash (C).
- Place the Backsplash (C) on the vanity (A). Be sure to align the Backsplash (C) with the top (B) of the vanity (A).
- Allow the silicone to dry before using the vanity.



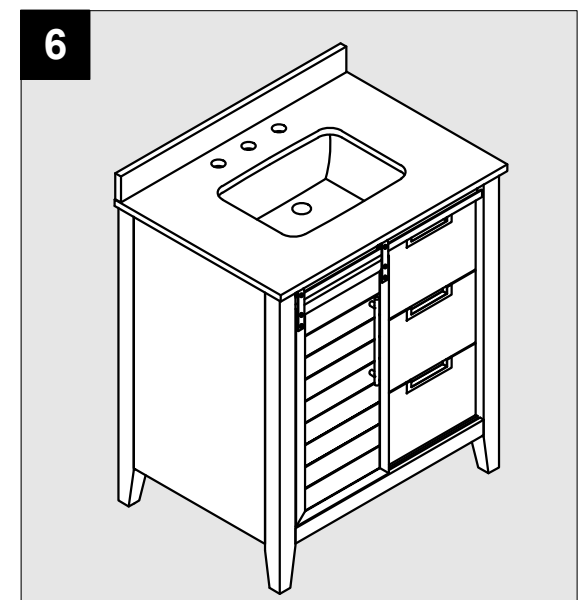
5. Installing the Backsplash

- Gently remove excess glue from the connecting area.



6. Installing the backsplash

- Let the vanity and Backsplash sit for 24 hour before use.



CARE AND MAINTENANCE

- Dust the vanity regularly with a soft, non-lint producing cloth or household dusting product.
- You can clean the vanity with a gentle, non-abrasive household cleaner.
- Make sure to dry the wood immediately with a soft cloth or towel.
- The stone top can be cleaned using standard marble cleaning agents available at your local supplier.

IMPORTANT

- Shade variations and patterns are an inherent characteristic of stone (e.g. granite, marble, engineered stone). Stone tops will vary from product to product. Use caution placing items such as soap or any fragranced material on the stone surface. Use a soap dish, coaster or similar item to protect the surface if placing any soap or fragranced products on the stone.
- If soap or fragranced products come in contact with the stone top, rinse the surface with water and dry using a soft non-abrasive cloth.
- **WARNING:** Must use cleaning agents safe for stone. check your cleaning agents use restrictions before using on any stone. Damage to the stone may result. Vanity manufacturer not responsible for damage caused by improper cleaning agents or soaps used. Warranty will not cover damage caused by the use of improper soaps or cleaning agents.
- **DO NOT** use products to clean the stone top that contain acetone, lemon, vinegar or other acids as these may cause damage to the stone surface.
- Periodically reseal the stone top using an appropriate stone sealer available from your local home store. Follow the manufacturer's directions on how to apply.

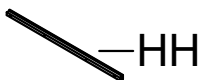
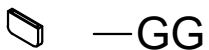
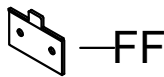
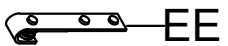
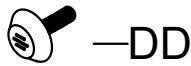
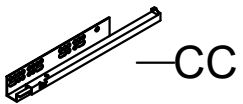
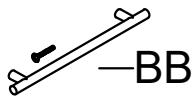
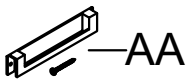
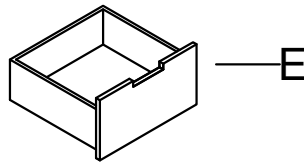
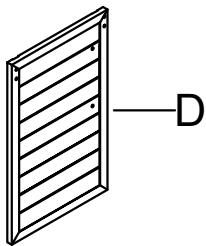
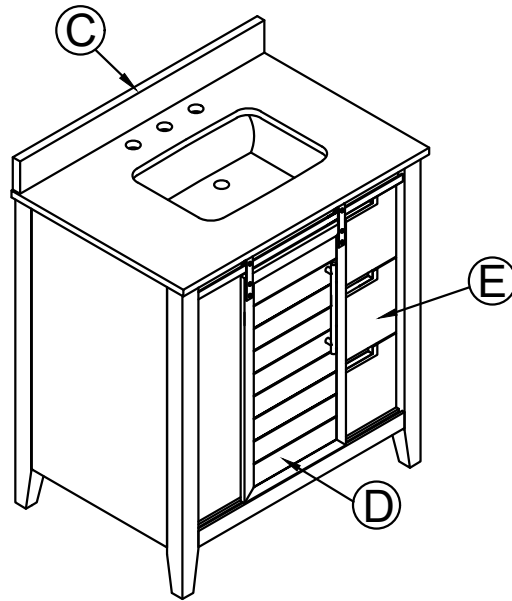
WARRANTY

The manufacturer warrants this item against defects in materials and workmanship for a period of one (1) year from the date of original retail purchase. This warranty applies only to the original purchaser. This warranty does not apply to any damage on the product by accident, misuse, or modified, improper installation or by affixing accessories not produced by the manufacturer. The manufacturer is not accountable whatsoever for product installation during the warranty period.

There is no further expressed warranty. The manufacturer shall not be legally responsible for incidental, consequential or special damages arising at or in connection with product use or performance except as may otherwise be accorded by law. The manufacturer disclaims any and all implied warranties.

REPLACEMENT PARTS LIST FOR # TJ-0113V3022BR

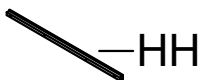
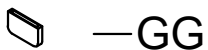
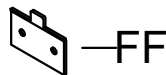
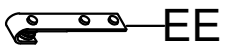
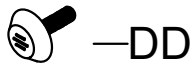
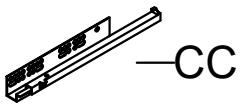
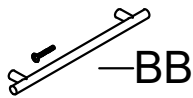
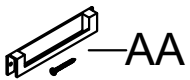
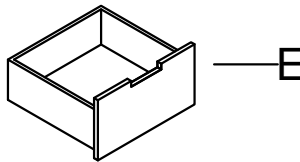
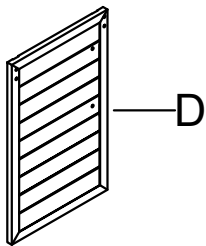
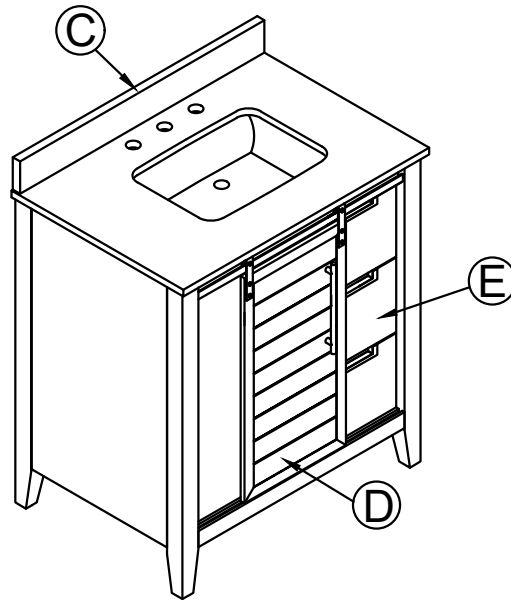
For replacement parts, call our customer service department at 866-439-9800, 8 a.m. - 8 p.m., EST, Monday - Sunday. You could also contact us at ascs@lowes.com.



PART	DESCRIPTION	PART#
C	Backsplash	TJ-0113V3022-BL
D	Door (Brown)	TJ-0113V3022-D (BR)
E	Drawer box (Brown)	TJ-0113V3022-DB (BR)
AA	Drawer handle with screw	TJ-0113V-DHS
BB	Door handle with bolt	TJ-0113V-DHB
CC	Under mount glide set	TJ-0113V-UG
DD	Adjustable leveler	TJ-0113V-AL
EE	Slider sub-assembly	TJ-0113V-SA
FF	Door bracket	TJ-0113V-DB
GG	Plastic covering	TJ-0113V-PC
HH	Top metal rail	TJ-0113V3022-TMR

REPLACEMENT PARTS LIST FOR # TJ-0113V3022GR

For replacement parts, call our customer service department at 866-439-9800, 8 a.m. - 8 p.m., EST, Monday - Sunday. You could also contact us at ascs@lowes.com.



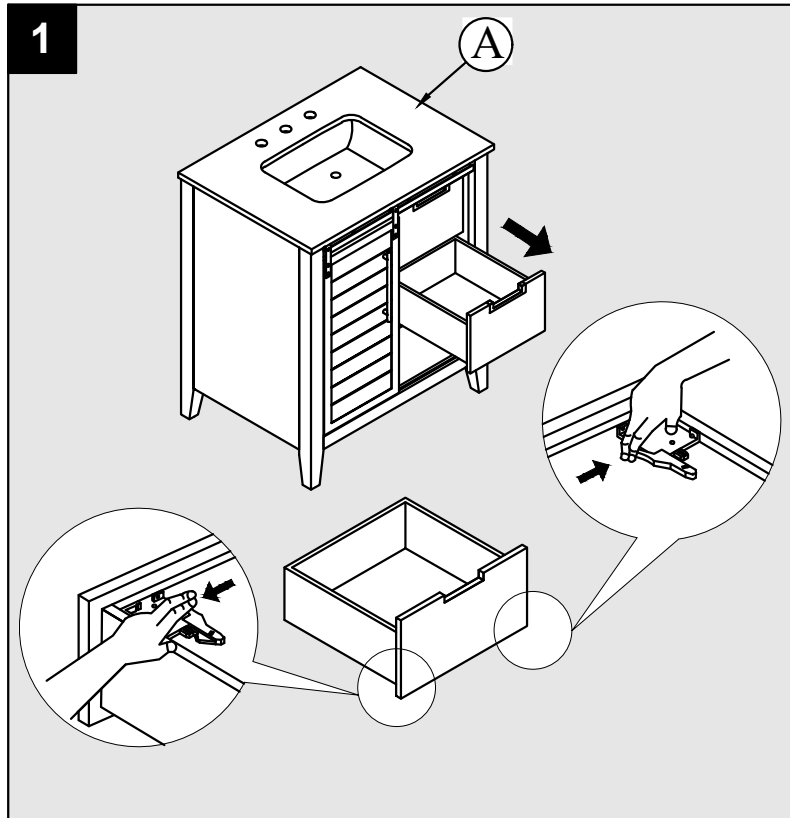
PART	DESCRIPTION	PART#
C	Backsplash	TJ-0113V3022-BL
D	Door (Grey)	TJ-0113V3022-D (GR)
E	Drawer box (Grey)	TJ-0113V3022-DB (GR)
AA	Drawer handle with screw	TJ-0113V-DHS
BB	Door handle with bolt	TJ-0113V-DHB
CC	Under mount glide set	TJ-0113V-UG
DD	Adjustable leveler	TJ-0113V-AL
EE	Slider sub-assembly	TJ-0113V-SA
FF	Door bracket	TJ-0113V-DB
GG	Plastic covering	TJ-0113V-PC
HH	Top metal rail	TJ-0113V3022-TMR

Printed in Vietnam

ALLEN + ROTH and logo design are trademarks or registered trademarks of LF, LLC. All rights reserved.


OPTIONAL-REMOVE TOP

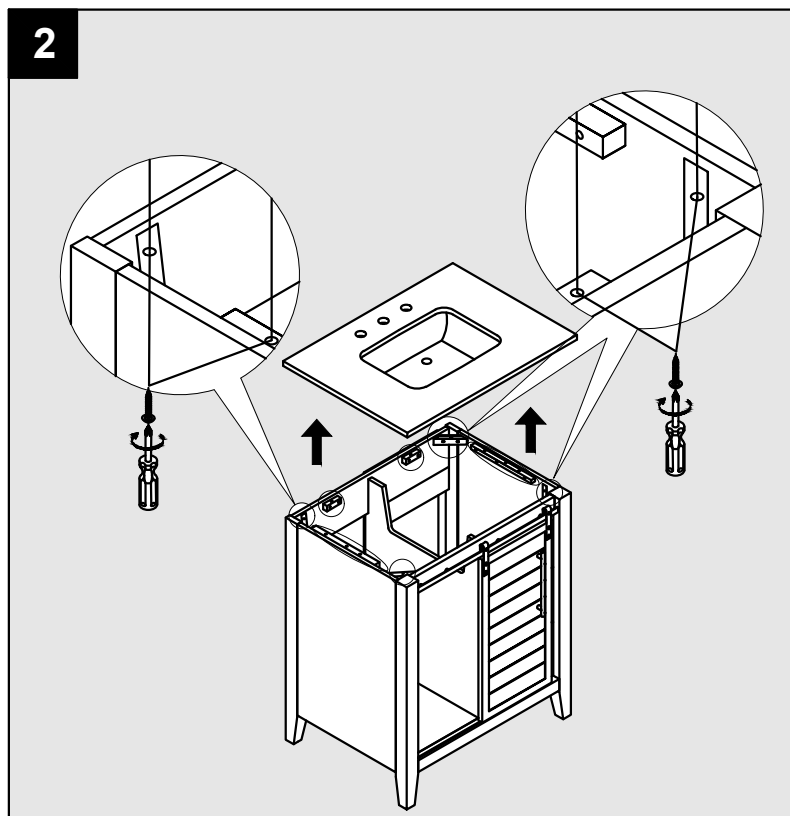
1. Pull out the middle drawer (the top is a fixed drawer panel)



2. Take out the top.

- Slide the door in the middle then take out the screws.

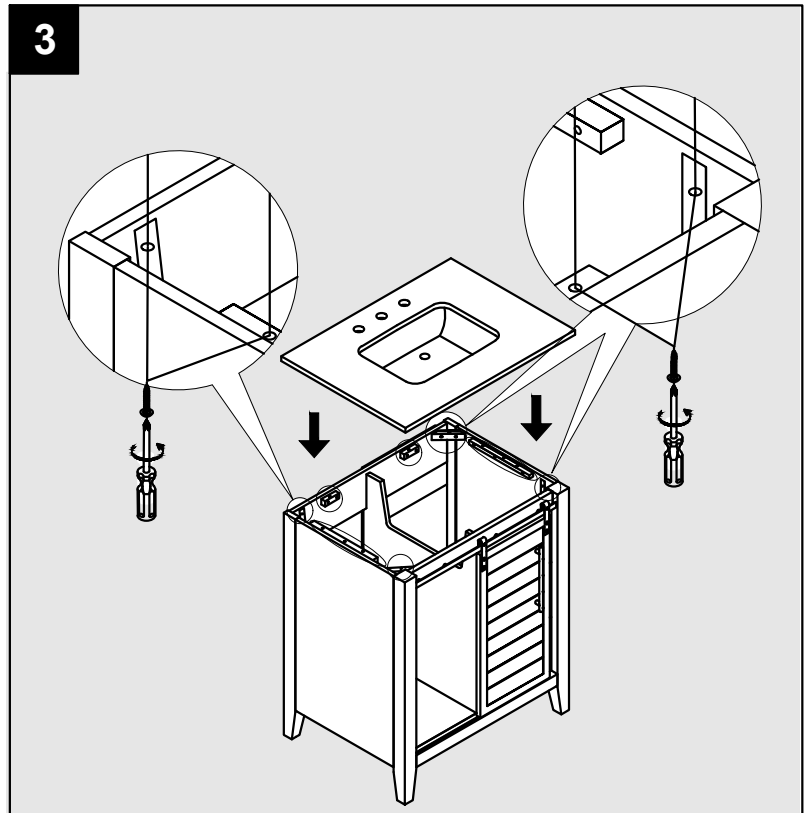
No.	Sketch	Qty
Wood screws		12



OPTIONAL-REMOVE TOP

3. Reinstalling the existing top.

- Place back the top on the vanity.
- Tighten these screws. Pull the door back its place



*Note:When vanity top is preinstalled.

4. Install the middle drawer.

