

# INSTALLATION GUIDE

## DIY WALL SHELVES



SCAN THIS QR CODE FOR  
THE FULL INSTALL VIDEO.

Questions or Concerns?

Contact us at:  [info@storeyourboard.com](mailto:info@storeyourboard.com)

# **IMPORTANT INFORMATION**

---

DIY Wall Shelves

Manufactured for Spire LLC in China

Quantity: 1

**WARNING! The product is NOT intended for use by any person under the age of 18 years old. You must be over the age of 18 to install or use the product.**

**WARNING! Strictly follow all instructions to avoid an accident, damage to property, personal injury or death.**

## **READ THE ENTIRE USER MANUAL BEFORE INSTALLATION**

The User Manual you received with your product provides instructions on how to install and use your product. The instructions are written for a person with a basic understanding of tools and procedures. Read the entire manual before proceeding. If you do not understand any portion of the instructions, do not attempt installation, and email us with the information on the cover.

## **CORRECTLY INSTALL THE PRODUCT**

Read and follow all instructions carefully.

Failure to properly install and use the product could allow the product to dismantle or fall, injuring persons or personal property in the process. Accordingly, it is critical that the product be assembled and installed correctly and according to the instructions in the User Manual.

## **USE TOOLS SAFELY**

The procedures in the User Manual may require climbing ladders and/or operating power tools. Make sure you are familiar with these tools and their safety procedures before attempting to use such tools during installation. Always be aware of electrical wires during installation. Failure to do so could result in an electrical shock or death.

## **CAUTION**

It is the consumer's responsibility to install this system in accordance with all codes, ordinances, and local regulations.

When installing the product, it is the consumer's responsibility to ensure the structural integrity of the structure it is being mounted to.

The product is intended for the storage of sporting equipment only. Do not use it for any other purpose.

This system has a maximum capacity stated in the following section. Overloading the system could result in damage to property or injury.

Use extreme caution when loading and unloading equipment from this system.

It is the consumer's responsibility to ensure that the system is in proper working condition before loading objects onto the system. Check tightness of all bolts and screws periodically. Failure to properly maintain the system could result in damage to property or injury.

## **WARNING AND DISCLAIMER**

Spire LLC (d/b/a StoreYourBoard) expressly disclaims any and all liability for personal injury, property damage or loss, whether direct, indirect, incidental, resulting from the incorrect mounting, improper use, inadequate maintenance, or neglect of this system.

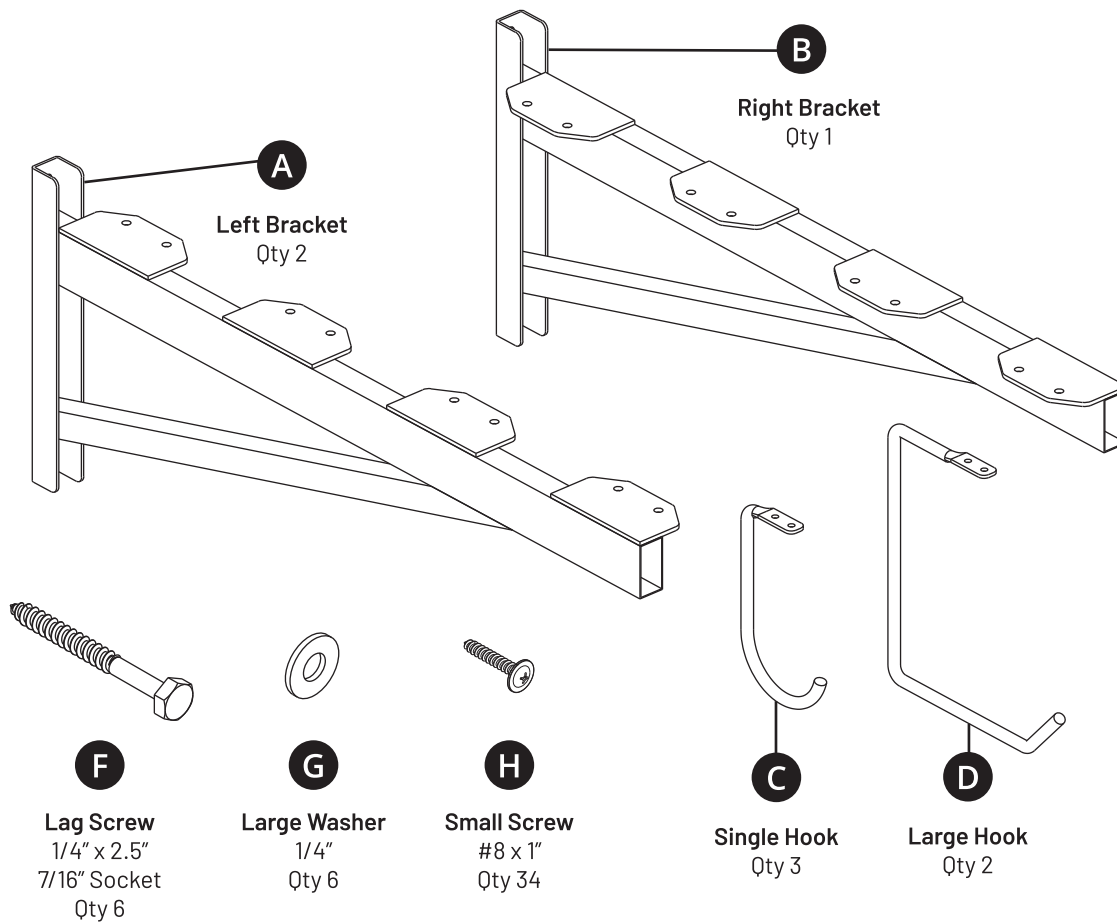
# WALL SHELF PARTS

## WEIGHT LIMITS:

450 lbs. per shelf when properly installed with 2x4s

## REQUIRED TOOLS:

Drill/driver  
3/16" (5mm) drill bit  
1/16" (2mm) drill bit  
7/16" Socket Driver  
Phillips head screw driver  
Level



These shelves are designed to be installed with brackets 4 feet apart. This setup allows you to have brackets at the end and in the middle of the 8 foot 2x4s with standard wall stud spacing (16 or 24 inches)

**You will need 4 standard 8-foot 2x4s**

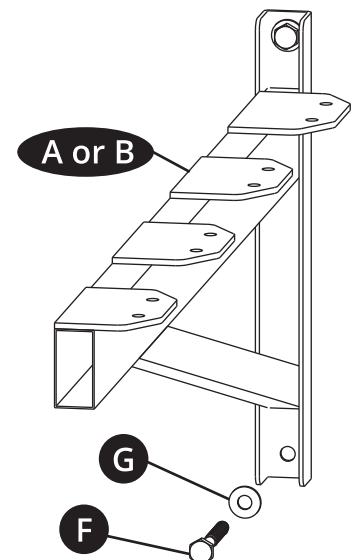
## INSTALLATION STEPS

Before starting the installation, determine the size of your shelf and where you want to install it. If installing two shelves, consider the distance between them and the height at which they will be mounted.

**1 Locate the Studs**  
Use a stud finder to identify and mark the center of nearby wall studs at the height where you will install the shelf brackets.

**2 Mark the First Bracket Position**  
Hold the Shelf Bracket for one side against the wall and mark the hole locations along the center of the stud at the desired height.

**3 Install the First Bracket**  
Use a 3/16" (5mm) drill bit to drill pilot holes at the marked locations  
Use a 7/16" socket driver to install the Lag Screws and Washers onto the Wall Brackets.



4

### Install the Second Bracket

Hold the other bracket against the wall at a stud location and place a level across both brackets. Adjust the height of the second bracket so it is level with the first.

Mark the hole locations of the second bracket in line with the center of the stud where it will be mounted.

Drill pilot holes and attach with the Lag Screws and Washers the same as you did for the first bracket.

5

### Attach Shelving Material

Cut the shelving material to the correct length based on your installation type.

Hold the boards against the Shelf Bracket and use a 1/16" drill bit to drill pilot holes

Attach to the brackets with the Small Screws (H)

## NOTES:

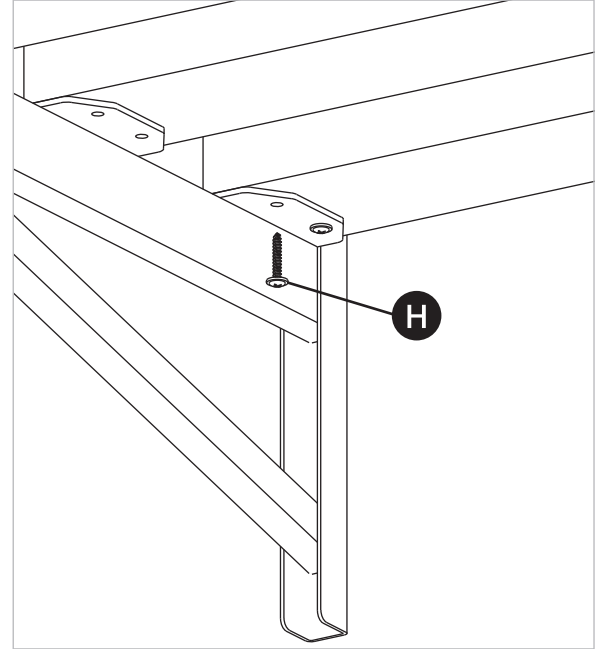
Do not overhang any 2x4s more than 6 inches from a bracket.

The weight rating of 400 pounds is for standard 2x4 installation with no overhang.

If using plywood for a solid shelf, 3/4 inch is preferred but the shelf won't be as strong.

You may also place a thin sheet of 1/4 inch plywood over the top of 2x4s for strength without gaps between the boards for smaller items.

If not following the standard installation suggestion, please use good judgment when choosing a shelf size and material.



6

### Attach Hooks

Align the hooks where you want them under a 2x4 and mark the holes with a pencil.

Use a 1/16 inch drill bit to drill pilot holes at the marked locations.

Use a Phillips head driver to attach the hooks with Small Screws.

