












Assembly Instructions

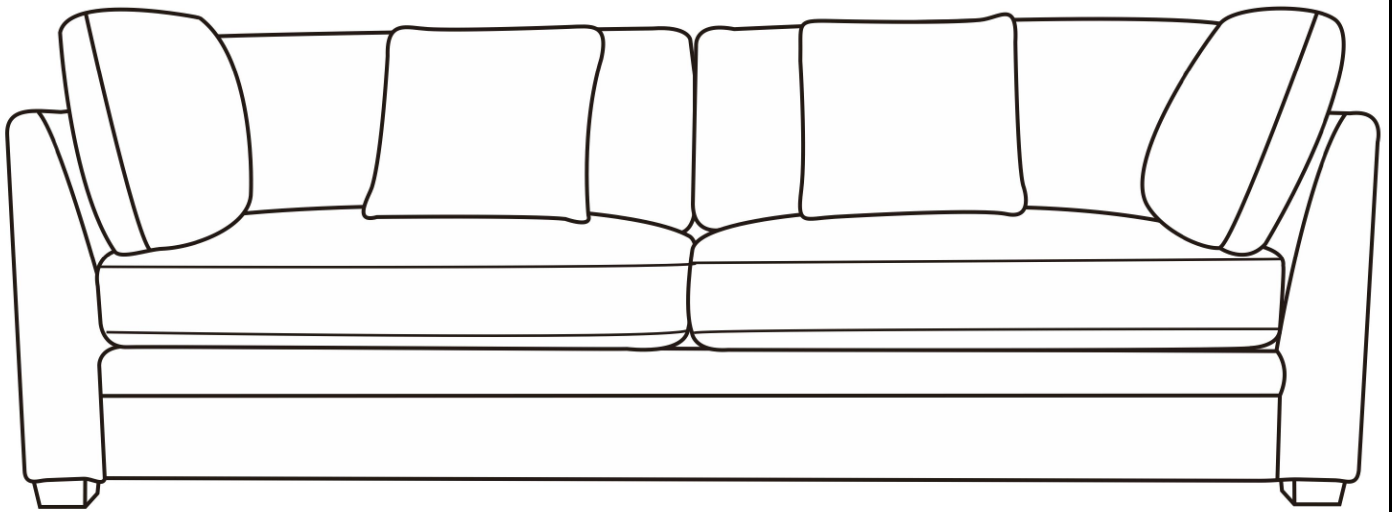
Caution : You must read this before you proceed

Care & Maintenance

- ⊘  • Not for commercial use. For residential use only.
- ✓  • Furniture may scratch floors. We recommend using furniture pads to protect your floors.
- ⊘  • Do not put hot items directly on furniture surface.
- ⊘  • Do not clean furniture with harsh cleansers or polish.
- ⊘  • Do not place furniture under direct sunlight.
- ⊘  • Do not place furniture near heating or cooling vents.
- ⊘  • Do not write on furniture without a padded barrier to protect the surface.
- ⊘  • Do not place furniture outside . For indoor use only.
- ⊘  • Stains may be removed with mild soap solution and damp cloth.
- ⊘  • Children should not climb or jump on the furniture.
- ✓  • Dust and pick-up spills using a clean, non-colored, lint-free cloth.

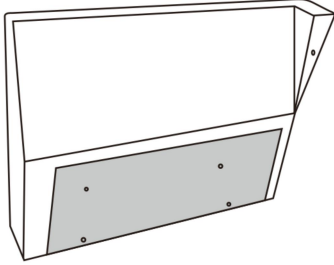
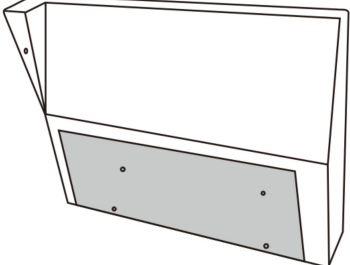
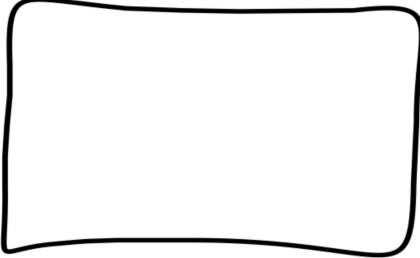
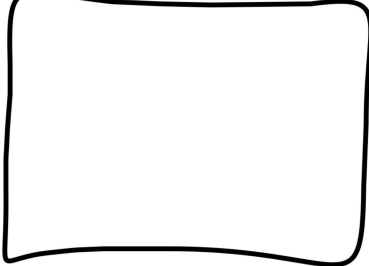
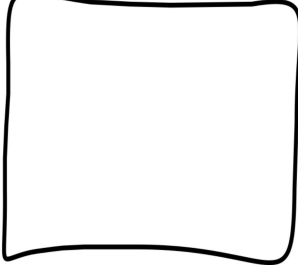

Please look in sofas for hardware packs and legs.

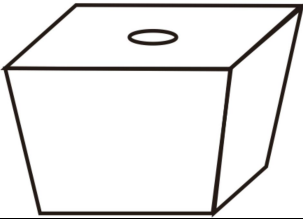
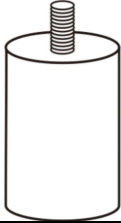
SOFAS





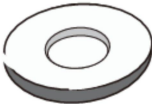

Parts List

Label	Picture	Description	QTY
A	A perspective view of a rectangular seat board. It is a flat, rectangular piece of material with four small circles representing screws or fasteners along the front edge.	Seat Board	1
B	A perspective view of a rectangular backrest panel. It is a flat, rectangular piece of material with six small circles representing screws or fasteners along the front edge.	Backrest	1

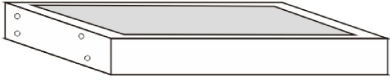
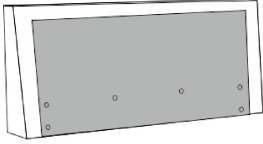
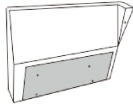
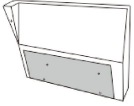

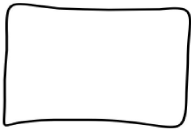
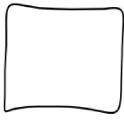
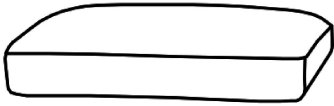
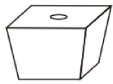





C		Left Armrest	1
D		Right Armrest	1
E		Headrest	2
F		Large Cushion	2
G		Small Cushion	2
H		Seat Cushion	2

I		Leg	4
J		Middle leg	1

Hardware

Label	Picture	Description	QTY
①		Single Head Screw(M8×50mm)	11
②		Single Head Screw(M8×90mm)	11
③		Gaskets(M8)	17
④		Allen Wrench	1

Assembly Preparation

Before Beginning Assembly:						
	A×1	B×1	C×1	D×1		
						
	E×2	F×2	G×2	H×2		
						
	I×4	J×1	①×11	②×11	③×17	④×1



- Read instructions, cover to cover-



- Have 2 adults on hand for assembly-



- Do not assemble on flooring or carpet-



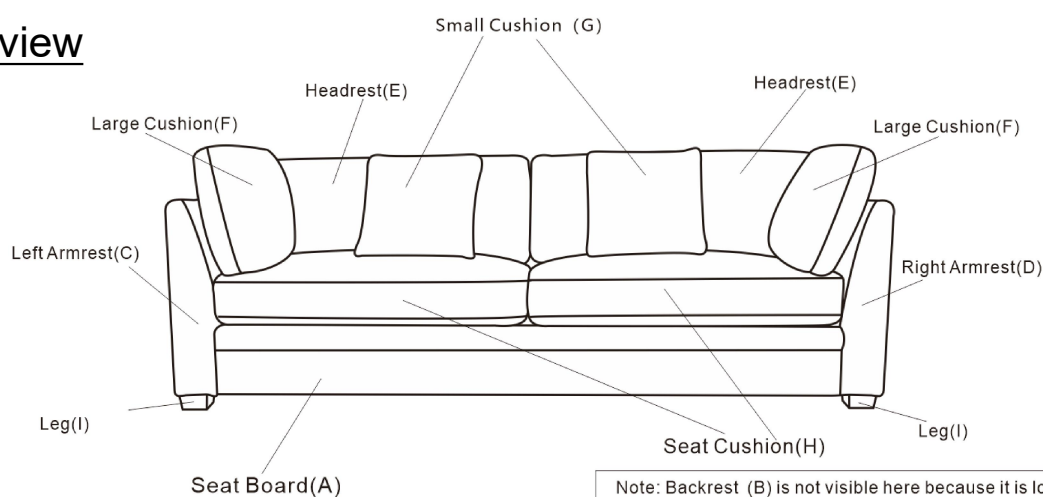
- Assemble on a clean non-marring surface (packing foam)-



- Save all packaging until finished-

Assembly Steps

Overview



Note: Backrest (B) is not visible here because it is located after Seat Board(A).
Middle leg (J) is not visible here because it is located under the Seat Board (A).

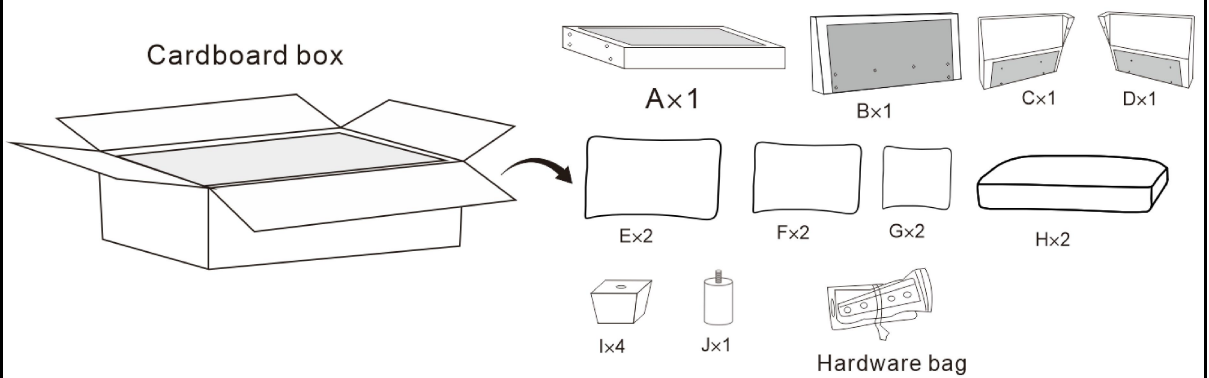
This Sofas has multiple parts and may require up to some 30 minutes to assemble.

To give you an overview of the Sofas parts, the above picture is to help you put the various parts into perspective.

Please read through the instructions below to familiarise yourself with the parts and steps before assembly.

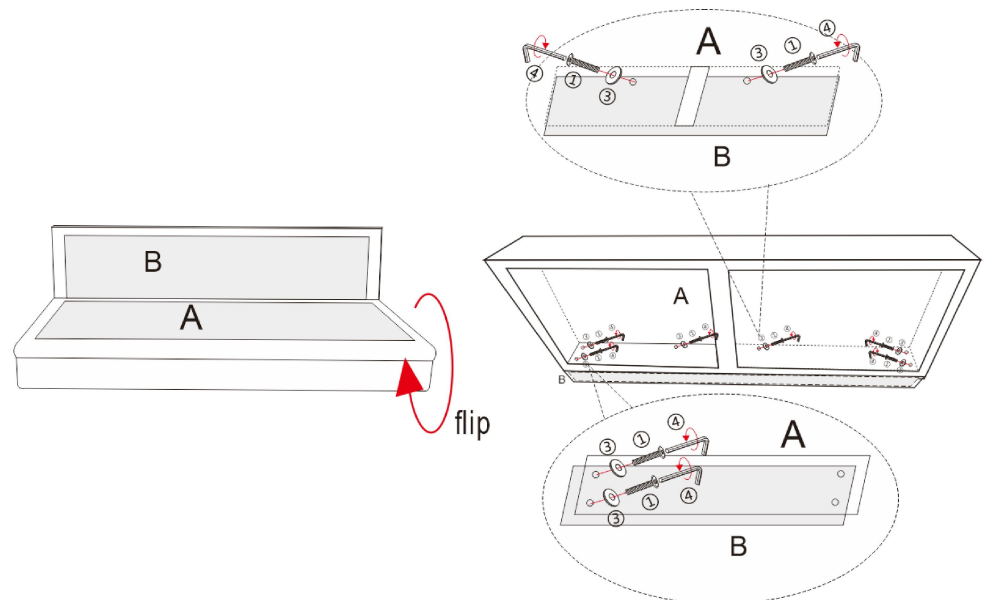
Note:It is recommended that you have an adult partner to assist during the entire assembly process.

Step 1



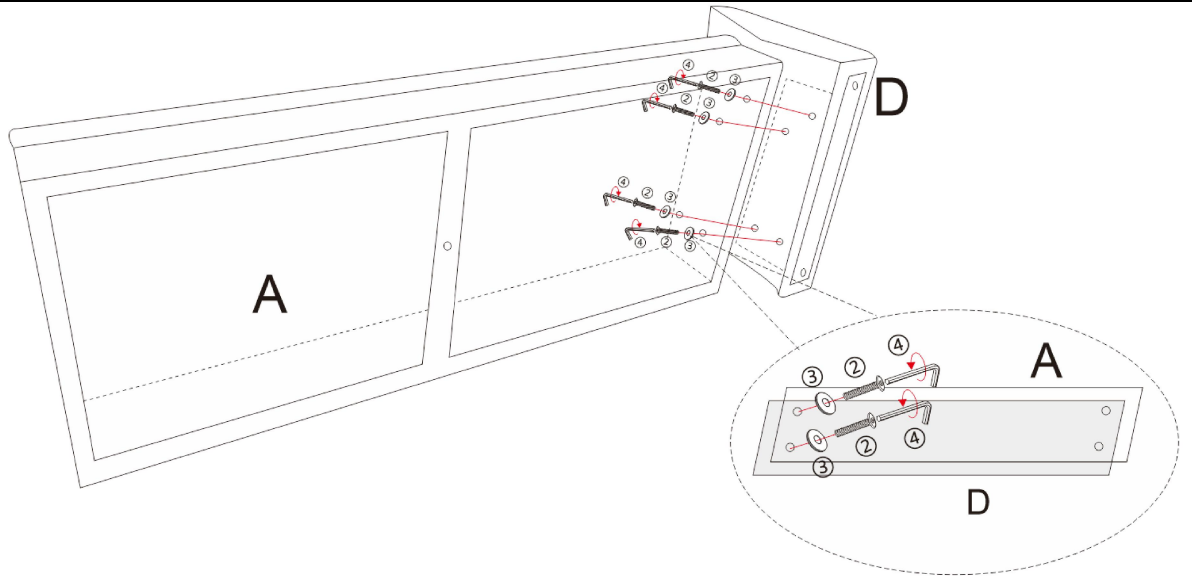
Remove Seat Board (A), Backrest (B), Left Armrest (C), Right Armrest (D), Headrest (E), Large Cushion (F), Small Cushion (G), Seat Cushion (H), Leg (I), Middle leg (J) and the corresponding hardware package from the carton and place them on a flat, clean surface without any dents.

Step 2



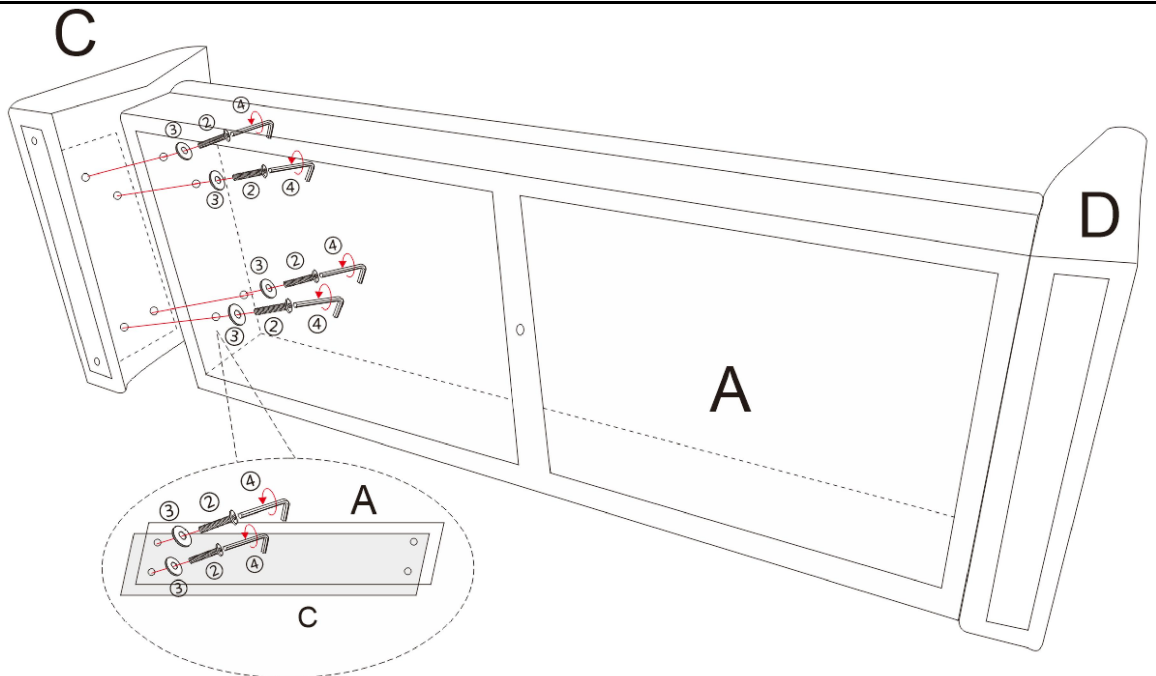
Align Seat Board (A) with Backrest (B) and flip it upside down. Align the holes at the bottom, and use Allen Wrench (④) to lock Gaskets (③) and Single Head Screw (①) together in sequence. Tighten Single Head Screw (①) in this step.

Step 3



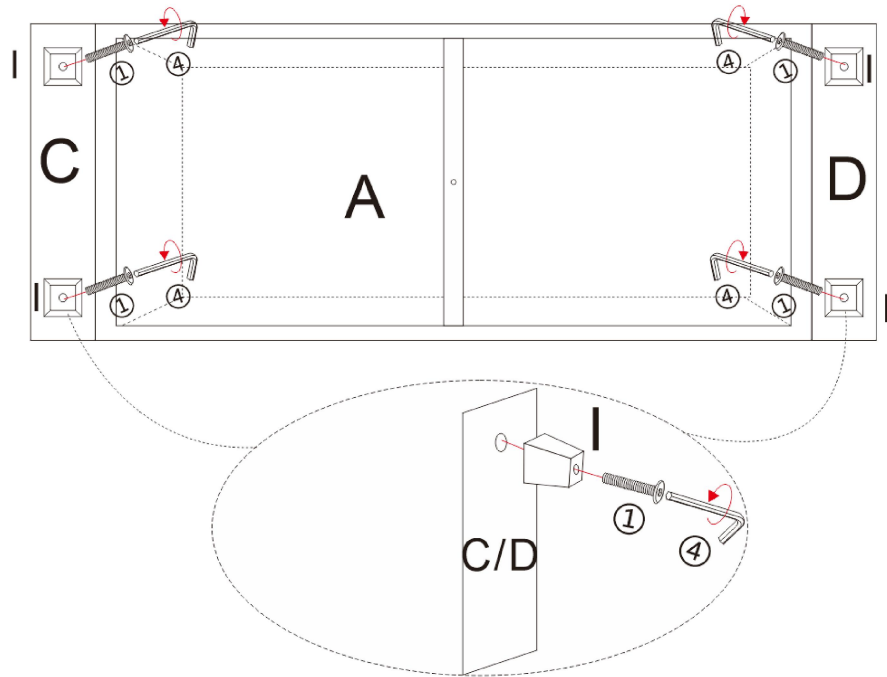
Align the hole on the right side of Seat Board(A) with Right Armrest (D), and use Allen Wrench (④) to tighten Gaskets(③) and Single Head Screw(②) in sequence. This step will tighten Single Head Screw(②).

Step 4



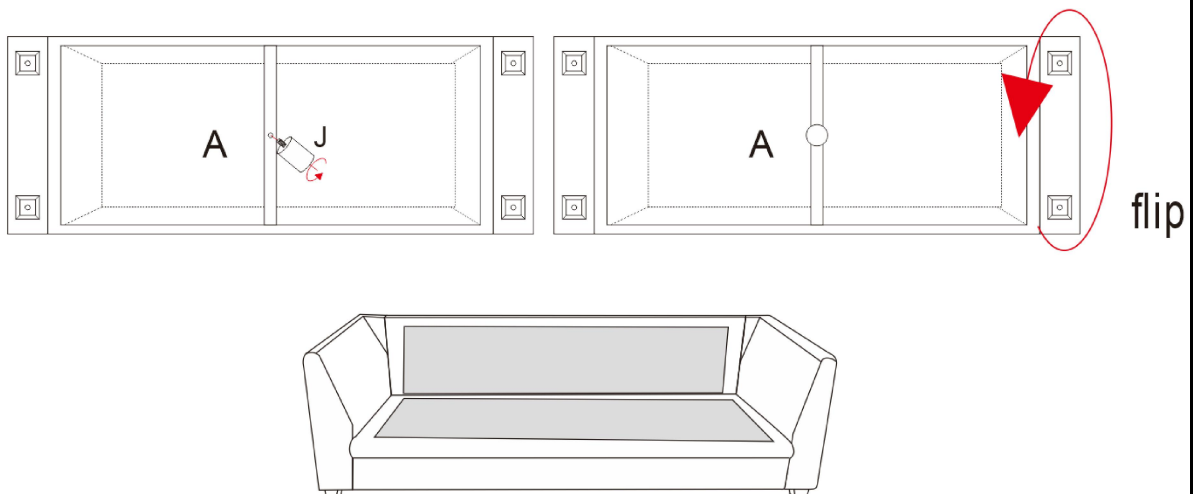
Align the hole on the Left side of Seat Board (A) with Left Armrest (C), and use Allen Wrench (④) to tighten Gaskets (③) and Single Head Screw (②) in sequence. This step will tighten Single Head Screw (②).

Step 5



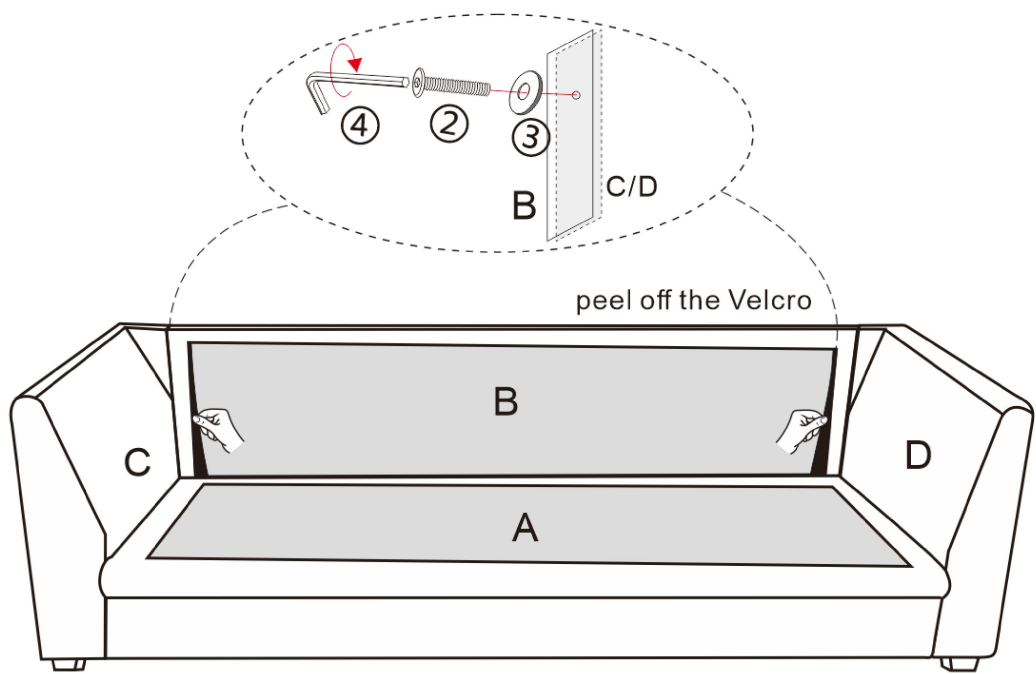
Lay the sofa flat, align Leg (I) with the holes at the top and bottom ends of Left Armrest (C) and Right Armrest (D), and use Allen Wrench (④) to tighten Single Head Screw (①) . This step will tighten Single Head Screw (①).

Step 6



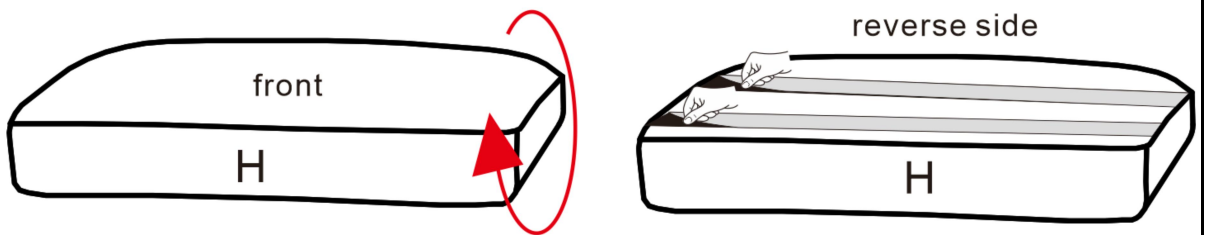
Screw Middle leg (J) into the hole at the bottom of Seat Board (A) and tighten Middle leg (J).

Step 7



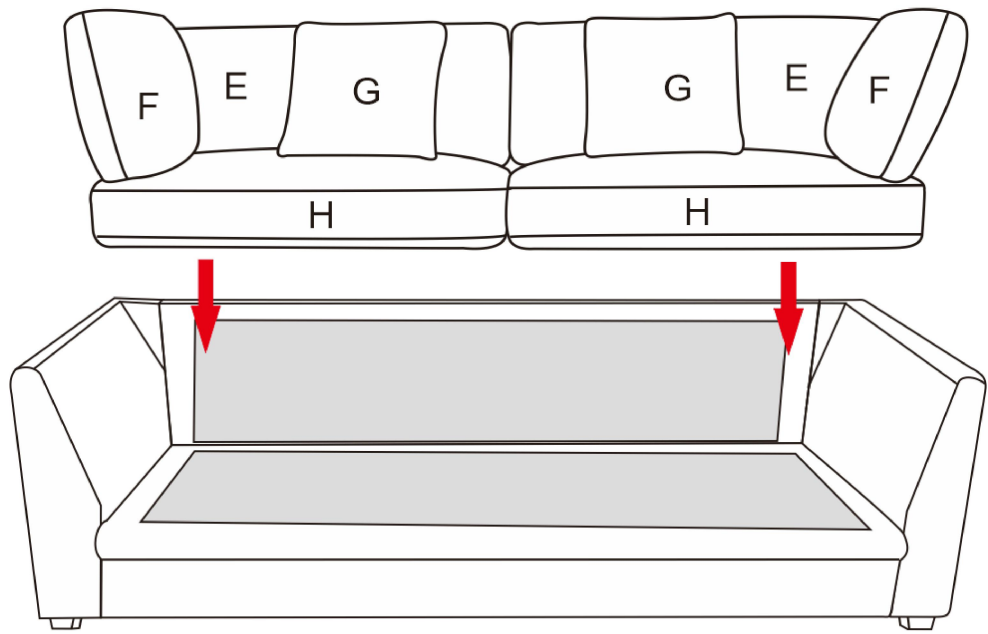
Unfasten the Velcro on both sides of Backrest (B), align the holes with Left Armrest (C), and use Allen Wrench (④) to tighten Gaskets (③) and Head Screw (②) in sequence.
Right Armrest (D) Follow the same steps as above.

Step 8



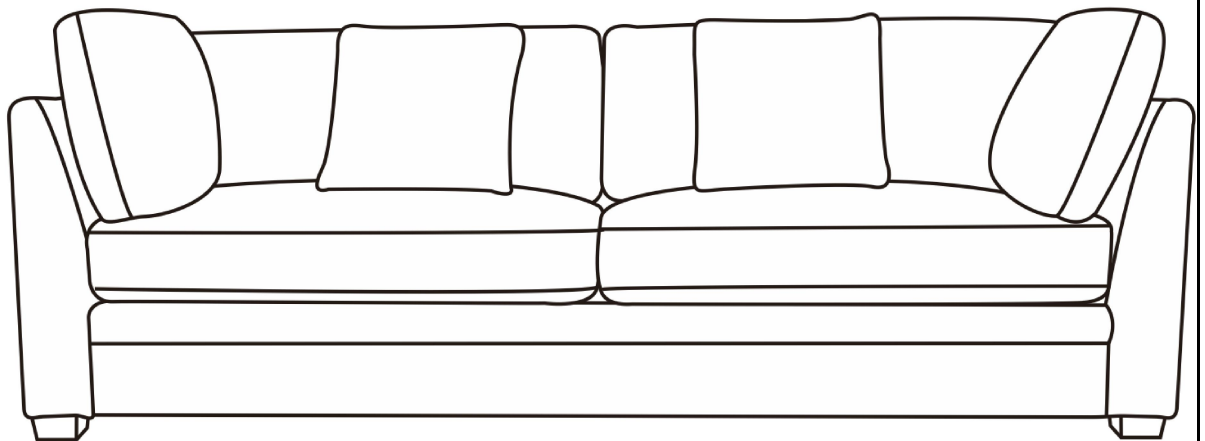
Remove the Velcro strip from the back of Seat Cushion (H).

Step 9



Place Headrest (E), Large Cushion (F), Small Cushion (G), and Seat Cushion (H) on the sofa.

Step 10



Your sofa is ready for use.

This sofa should only be used on flat, level surfaces.