

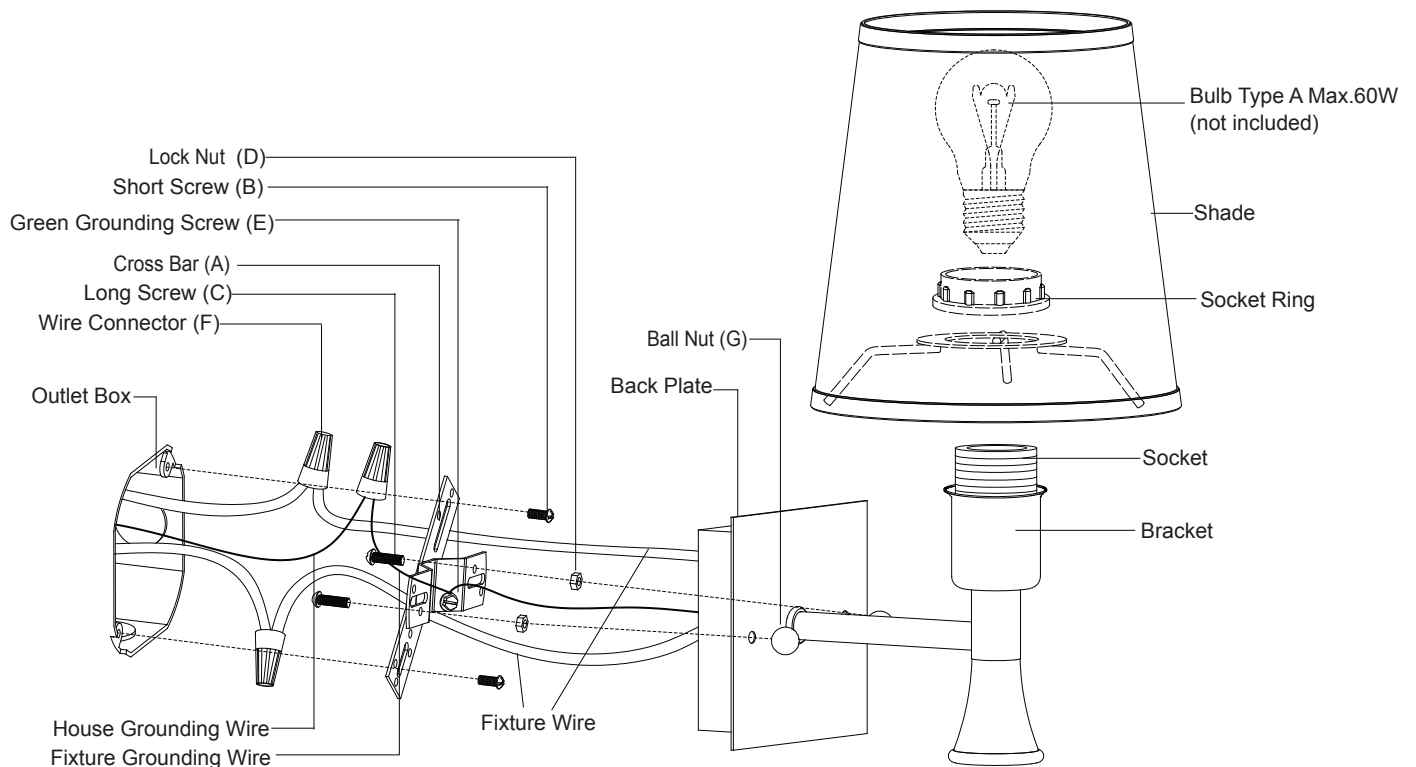
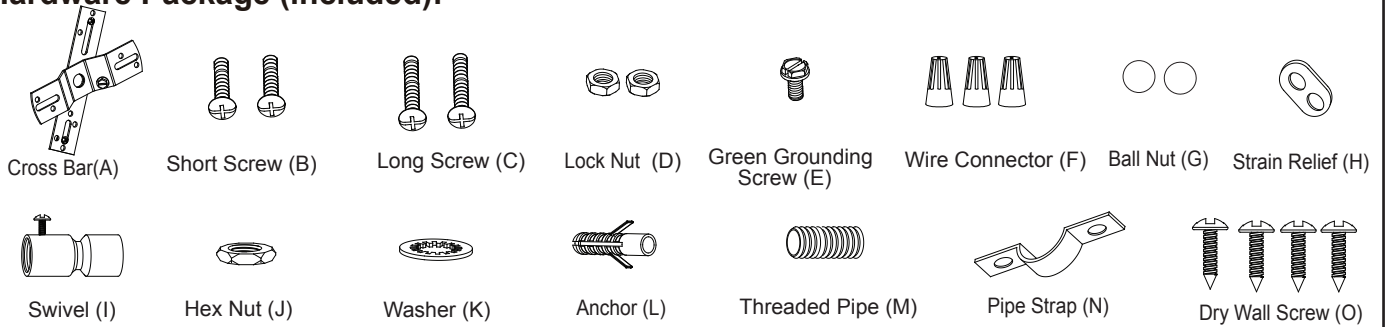
# ASSEMBLY AND INSTALLATION INSTRUCTIONS

W0180 / W0181

**WARNING:** TO AVOID RISK OF ELECTRICAL SHOCK, BE SURE TO SHUT OFF POWER WHILE INSTALLING OR SERVICING THIS FIXTURE.

**NOTES:** 1. Before installing, consult local electrical codes for wiring and grounding requirements.  
2. READ AND SAVE THESE INSTRUCTIONS.

## Hardware Package (included):



**This FIXTURE can be mounted in two ways.**

**Option 1: (Hard Wire Installation)**

**Assembly Instructions:**

**Turn off the power at fuse or circuit box.**

1. Thread two long screws through the cross bar, then secure them with two lock nuts. Adjust the length of the headless screws if necessary.  
Note: Make sure that the long screws are lined up horizontally, in order to ensure that the fixture will be level.
2. Attach the cross bar to the outlet box by using two short screws.

3. Pull out the source wires from the outlet box. Make wire connections using wire connectors as follows:
  - Connect the hot wire (usually black insulation) from the fixture to the black wire from the power source.
  - Connect the neutral wire (usually white insulation) from the fixture to the white wire from the power source.
  - Attach the fixture grounding wire (usually bare wire) to the cross bar with the green grounding screw. Then connect it to the house grounding wire with a wire connector. If your outlet box does not have a house grounding wire, then wrap the fixture grounding wire around the green grounding screw.
 Carefully tuck the wires back into the outlet box.
4. Attach the back plate to the cross bar by inserting the long screws, then secure it with the ball nuts.
5. Attach the shade onto the bracket and secure it with the socket ring.
6. Install bulb (not included). See relamping label at socket area or packaging for maximum allowed wattage.

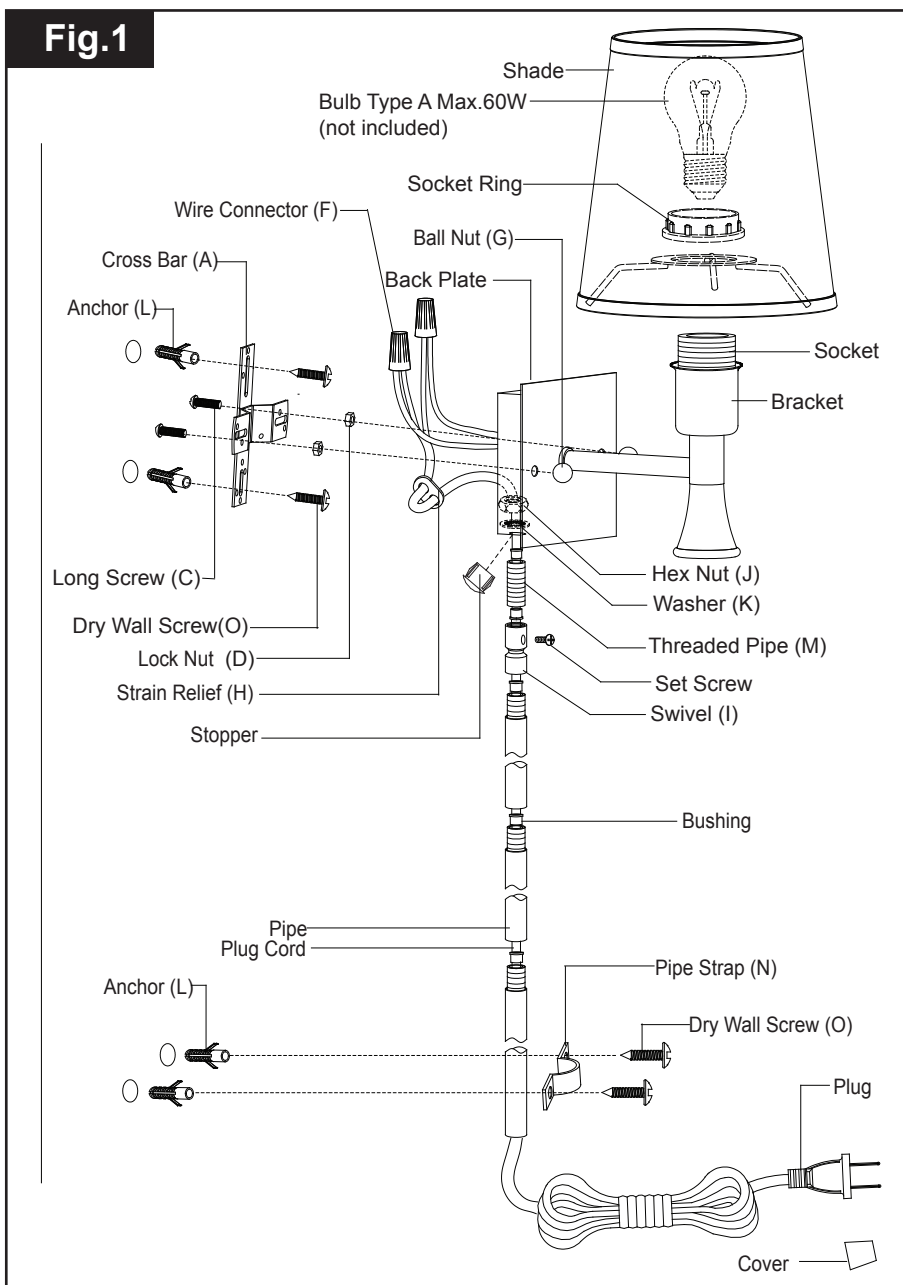
Turn on the power at fuse or circuit box.

## Option 2: (Plug-in Installation)

### Assembly Instructions:

Turn off the power at fuse or circuit box.

1. Remove and discard the stopper from the back plate.
2. Thread long screws through the cross bar, then secure them with two lock nuts. Adjust the length of the long screws if necessary.  
 Note: Make sure that the long screws are lined up horizontally, in order to ensure that the fixture will be level.
3. Unscrew and discard the green grounding screw from the cross bar.
4. Place the cross bar to a proper position.
  - a) If the wall material is wood: Attach the cross bar to the wall, then secure it with the dry wall screws
  - b) If the wall material is cement: Mark the holes where you want to place the cross bar on the wall. Drill the holes and insert the anchors into the holes, then attach the cross bar to the wall, secure the dry wall screws into the anchors.
5. Connect the pipes in turn as shown in Fig.1. Thread plug cord through the assembled pipes, swivel, threaded pipe, the bottom hole of the back plate, washer, and hex nut.
6. Secure the assembled pipes to the back plate by using the washer and hex nut.



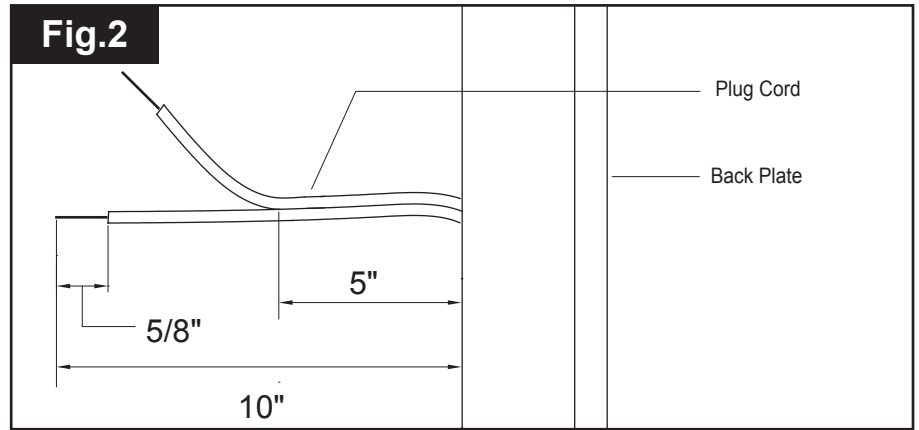
7. Thread the plug cord through two holes of the strain relief. Pull the plug cord down until the strain relief touches the back plate.  
 Note: Adjust the strain relief can decrease or increase the length of the exposed plug cord.

8. Cut any excess plug cord leaving 10 inches from the back plate. Slit the plug cord apart in 5 inches. Peel off insulation of the two wires in 5/8 inch. (See Fig.2)

9. Pull out the source wires from the back plate. Make wire connections using wire connectors as follows:

- The black wire from the back plate to the smooth wire (marked) from the plug cord.
- The white wire from the back plate to the ridged wire (unmarked) from the plug cord.

Carefully put the wires back into the back plate.



10. Attach the back plate to the cross bar by inserting the long screws, then secure it with the ball nuts.

11. Attach the pipe strap to the connected pipe at the bottom, then secure it to the wall by using dry wall screws.

a) If the wall material is wood:

Attach the pipe strap to the wall, thread the dry wall screws through the holes on pipe strap, then secure them to the wall.

b) If the wall material is cement:

Mark the holes where you want to place the pipe strap on the wall. Drill the holes and insert the anchors into the holes, then attach the pipe strap to the wall, thread the dry wall screws through holes on pipe strap, and then secure them into the anchors.

12. Attach the shade onto the bracket and secure it with the socket ring.

13. Install bulb (not included). See relamping label at socket area or packaging for maximum allowed wattage.

14. Insert the plug into the wall receptacle.

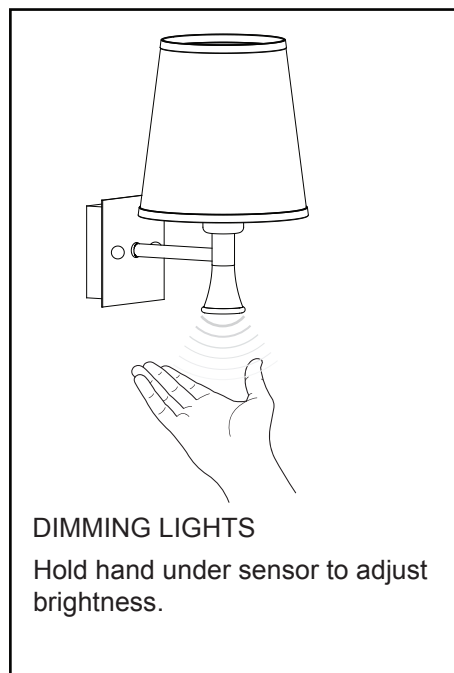
Note: Remove the cover from the plug when the plug is used for the first time.

Turn on the power at fuse or circuit box.

### **Function and Operation**

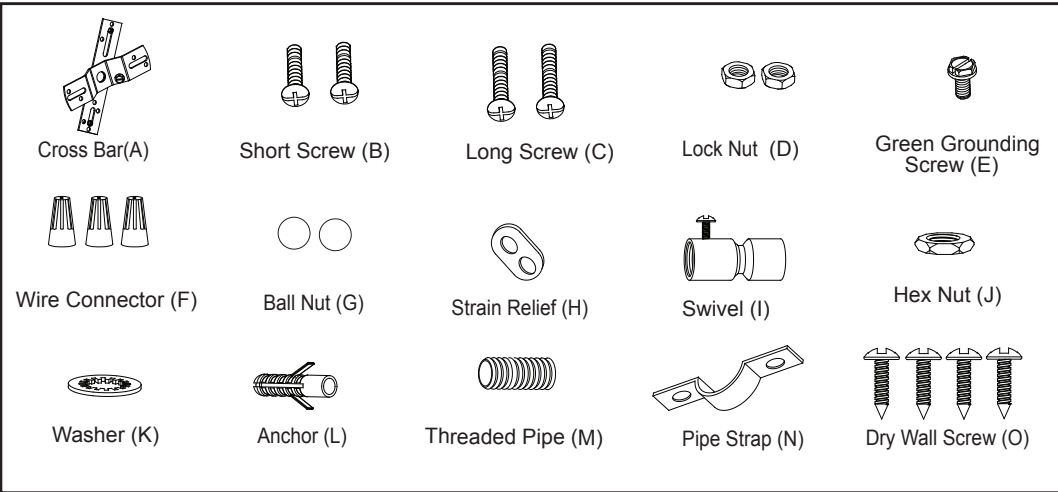
When power is first applied, the light will turn to high level brightness.

**Note: Detection zone is within 4.5 inch distance from the sensor.**



The following parts are available for re-order if damaged or missing.

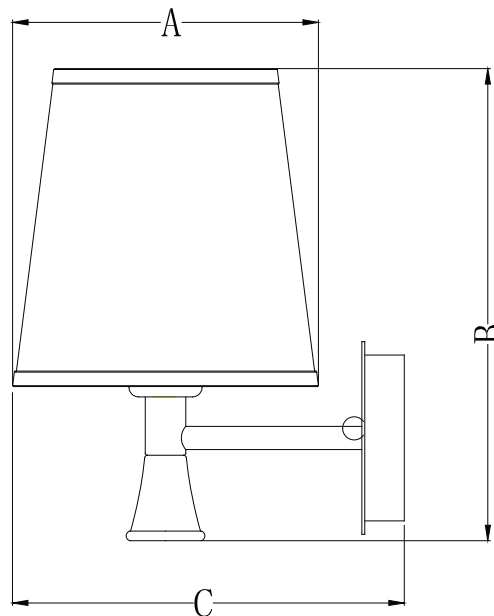
**Spare Parts List:**



→ Assembly Kit  
5308MM (1 SET) for W0180  
5309MM (1 SET) for W0181

**5-YEAR LIMITED WARRANTY:**

All products are warranted to be free of defects in material and workmanship for five (5) years from date of purchase. This warranty is limited to the correction of any such defect, or the replacement of any such defective item(s), provided that: (a) we are properly notified and consent to return of the item(s) in question:(b) the item (s) is / are returned with proof of purchase date; and (c) it is found upon inspection by us that the item (s) is / are defective as noted above. This warranty dose not cover labor costs, consequential damages, nor dose it apply to any item(s) that have been improperly installed, overloaded, altered, or otherwise abused by the customer, its agent(s) or emplyee(s). Finishes are specially excluded from the terms of this warranty since they are subject to environmental maintenance deemed beyond our control. Other than the described obligation, we assume no further liability with respect to the sale or use of our products.We make no warranty, express or implied, and disclaim any warranty of merchantability or fitness for a particular purpose.



A: 6-1/4"  
B: 9-1/2"  
C: 7-3/4"