

INSTALLATION

Product Manual

Version: 460056-01-24A-HY



IMPORTANT INFORMATION!

please read the entire manual before starting to assemble and/or using this product. follow the manual thoroughly and keep it for further reference.



AVOID SCRATCHES!

In order to avoid scratching this furniture should be assembled on a soft layer- could be a rug.



IMPROVE EFFICIENCY !

Try to find a partner to install with you, which can speed up the installation efficiency and shorten the time.



ANTI-TOPPLE WARNING !

Overturnd furniture can cause serious or fatal crush injuries. To prevent tipping over, be sure to use the wall attachment, if not included with this product. Please purchase the wall attachment that fit your wall. If unsure, seek professional advice. Please read and follow each step of the instructions carefully.

IMPORTANT !

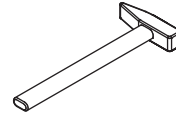
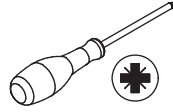
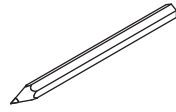
It is important that any product which is assembled using any kind of screw is re-tightened 2 weeks after assembly, and once every 3 months - in order to assure stability through-out the lifespan of the product.

For regular maintenance and cleaning of the product, for the frame, please use a rag dipped in neutral detergent to fully wipe it, and then dry it with a clean rag. For glass materials, wipe with a rag dampened with water glass cleaner, and then dry with a dry rag.

Do not use an electric screwdriver, and do not use too much force when installing, because the board is easy to break.

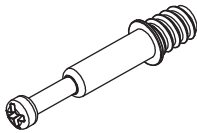


Please prepare the following tools



When installing, please carefully confirm whether each screw corresponds to the manual, accessories with similar shapes can be distinguished by size

A x 39



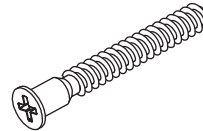
M6 x 35 mm

B x 39



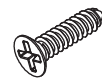
Ø 12 x 10 mm

C x 25



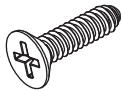
M5 x 40 mm

D x 27



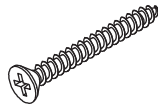
M3 x 12 mm

E x 24



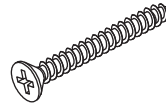
M3.5 x 14 mm

F x 8



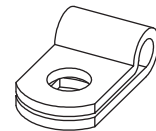
M2.5 x 25 mm

G x 6



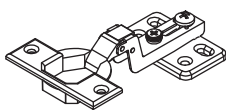
M2.5 x 38 mm

H x 3



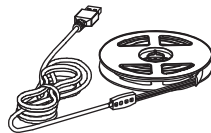
XK

J x 4



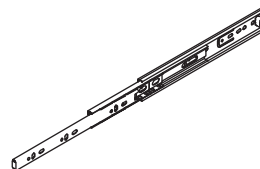
DWJL

K x 1



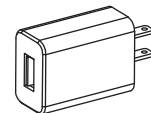
DD

L x 4

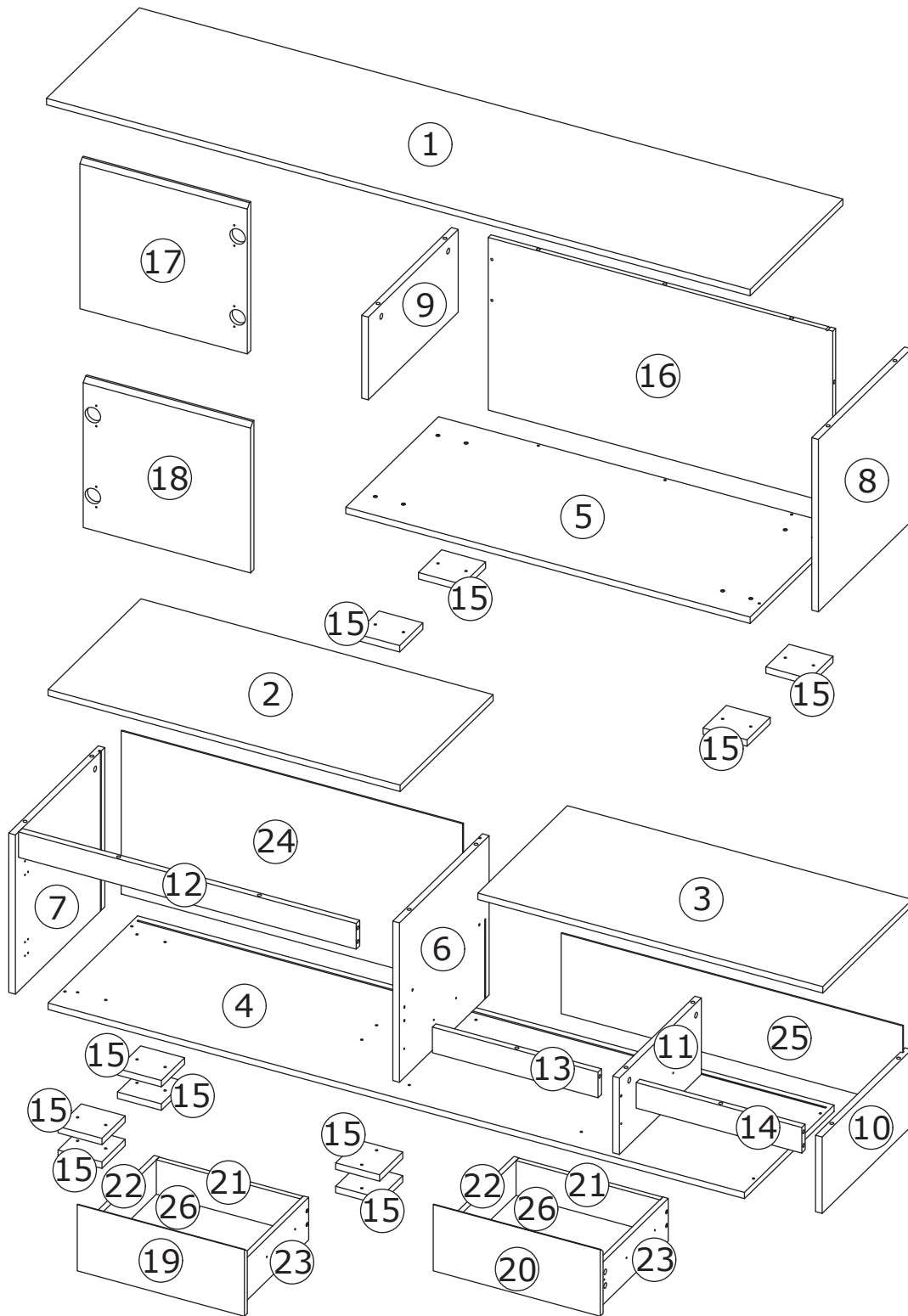


GZHG-3-275

x 1



USDY



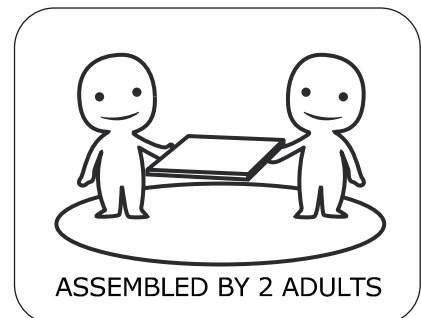
⚠ WARNING



Children have died from furniture tipover. To reduce the risk of furniture tipover:

- ALWAYS install Anti-tip device provided.
- NEVER put a TV on this product.
- NEVER allow children to stand, climb or hang on drawers, doors, or shelves.
- NEVER open more than one drawer at a time.
- Place heaviest items in the lowest drawers.

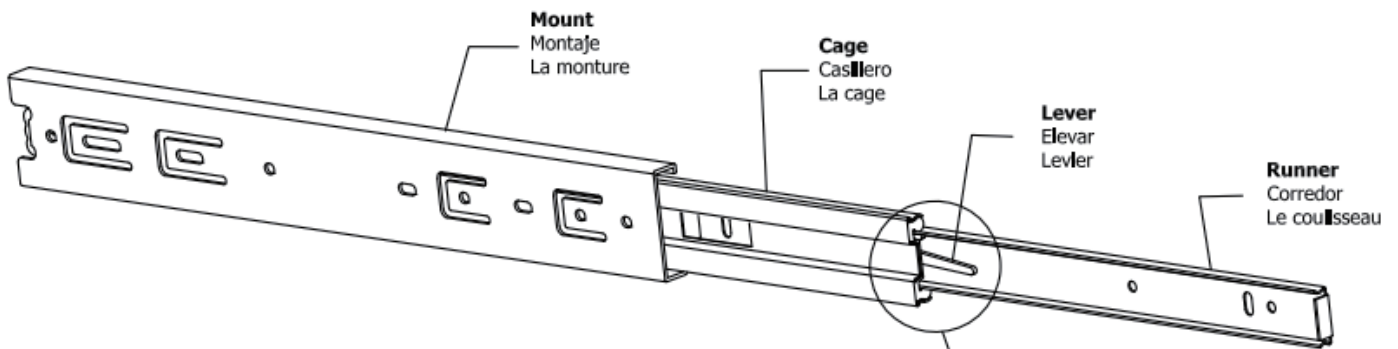
*This is a permanent label.
Do not remove!*



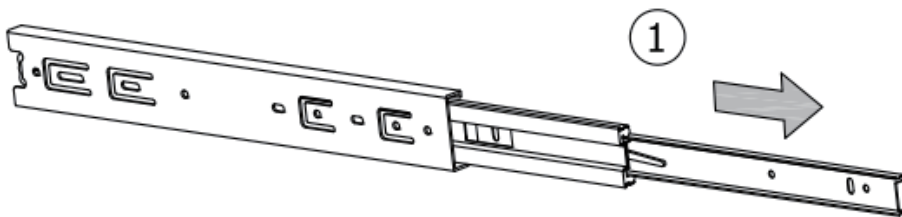
**Slides Must Be Separated Before Assembly.
After Separated, Set Aside Until Needed for Assembly.**

Las diapositivas deben separarse antes del montaje.
Después de la separación, déjelo a un lado hasta que sea necesario.

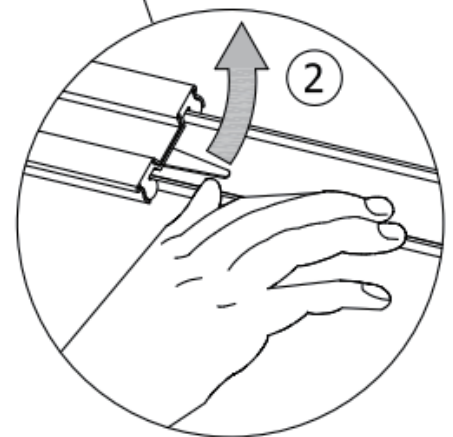
Les glissières doivent être séparées avant l'assemblage.
Après la séparation, mettez de côté jusqu'au moment de l'assemblage.



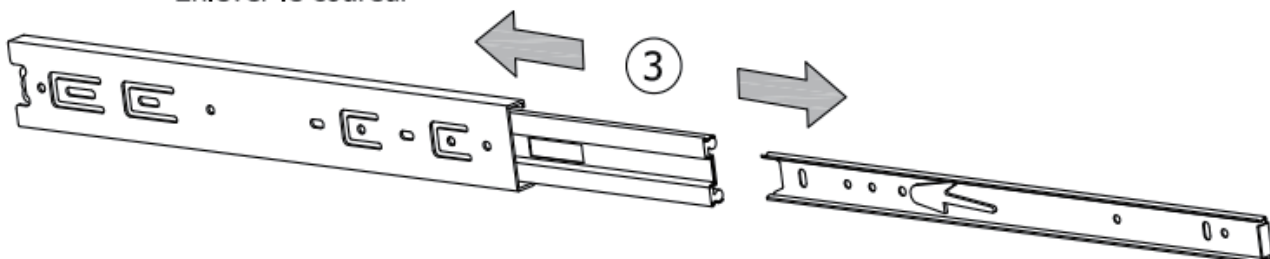
STEP 1: Extend Slide
Extender la diapositiva
Extendre la diapositive



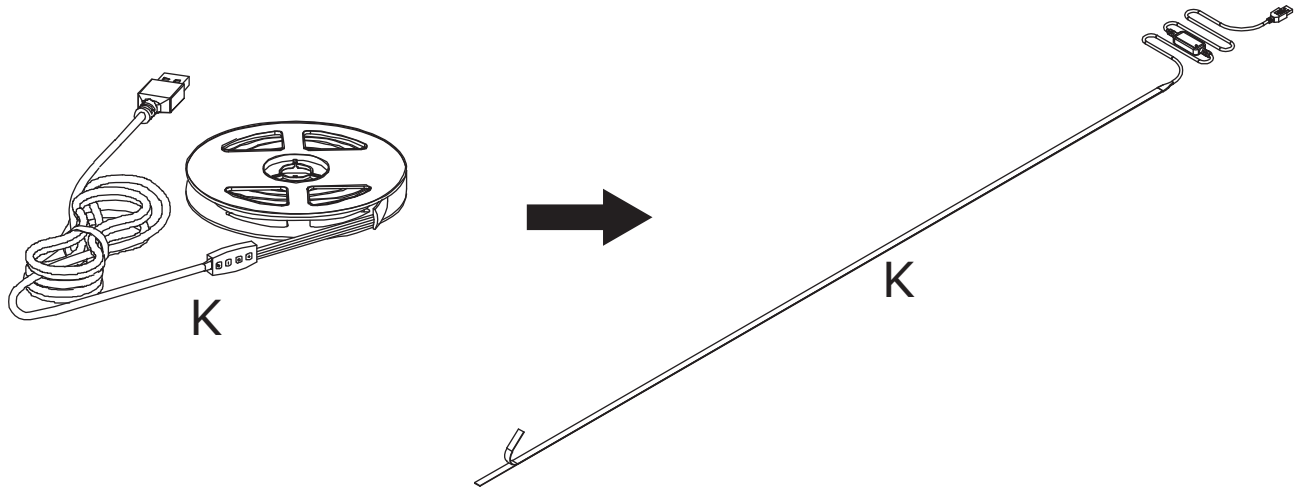
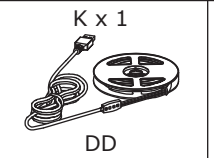
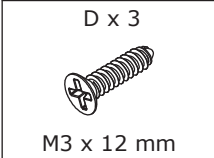
STEP 2: Push Lever UP
Empujar hacia arriba
Lever le levier



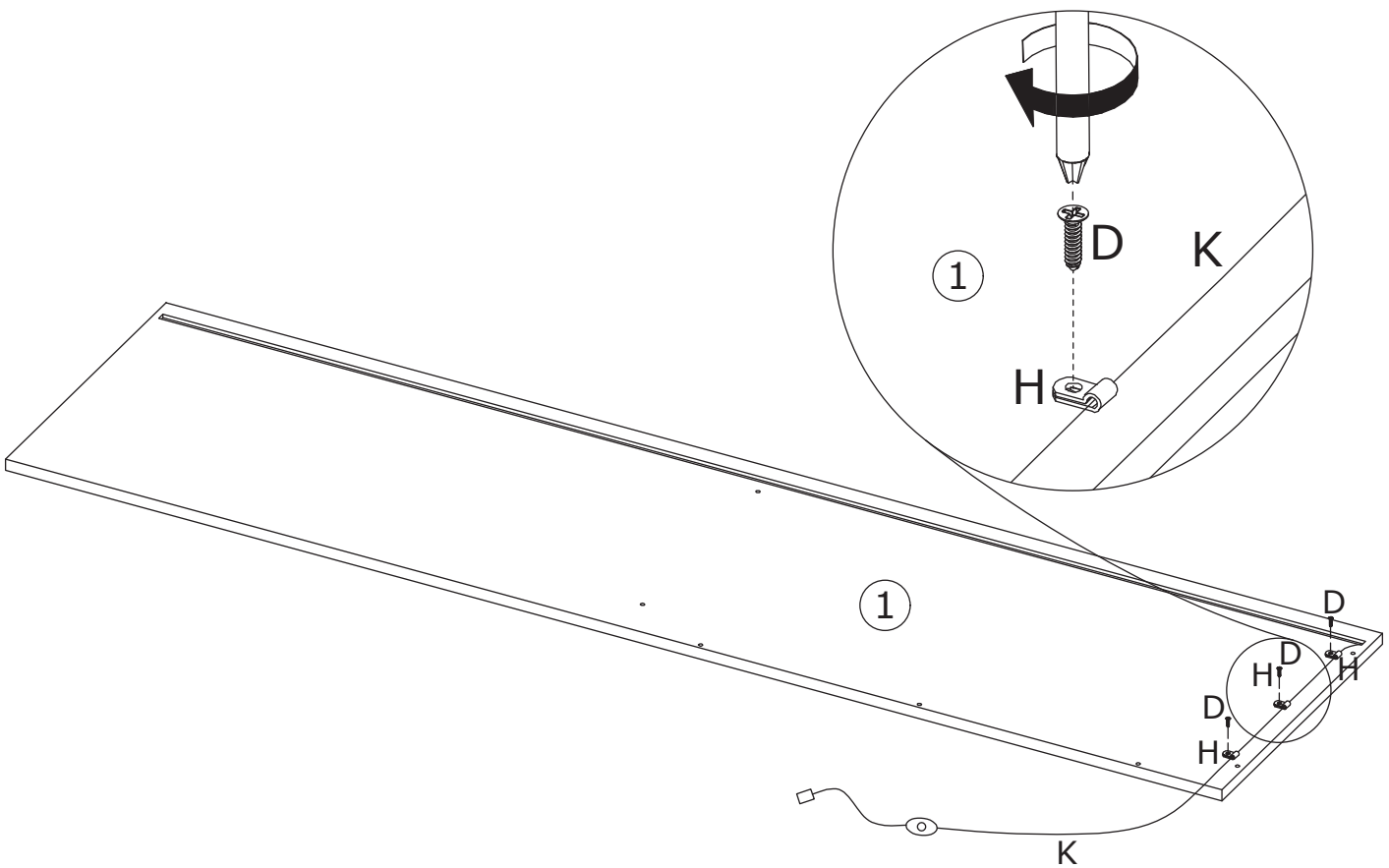
STEP 3: Remove Runner
Quitar el corredor
Enlever le coureur



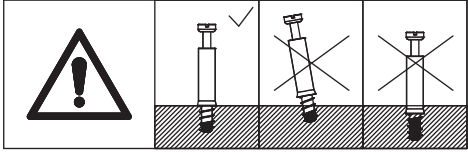
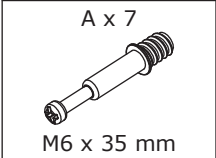
1



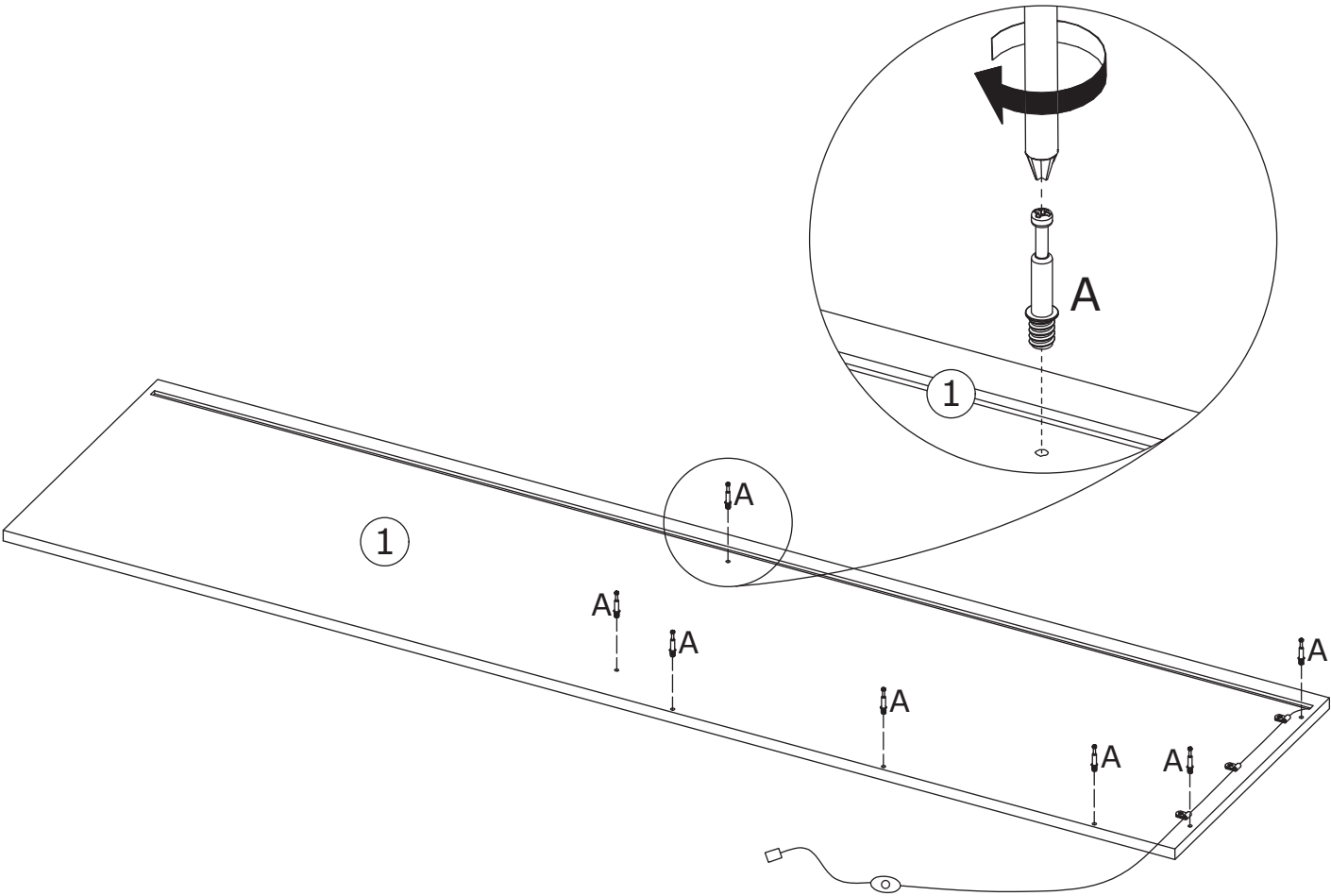
Fix buckle(H) to panel 1 with screw(D) at first
Stick light strip(K) to panel 1 and pass through the buckles.



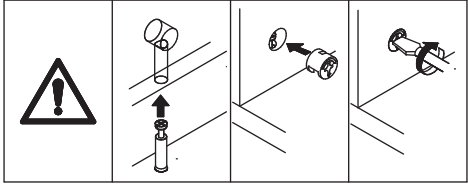
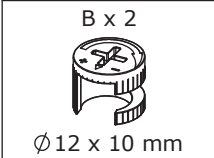
2



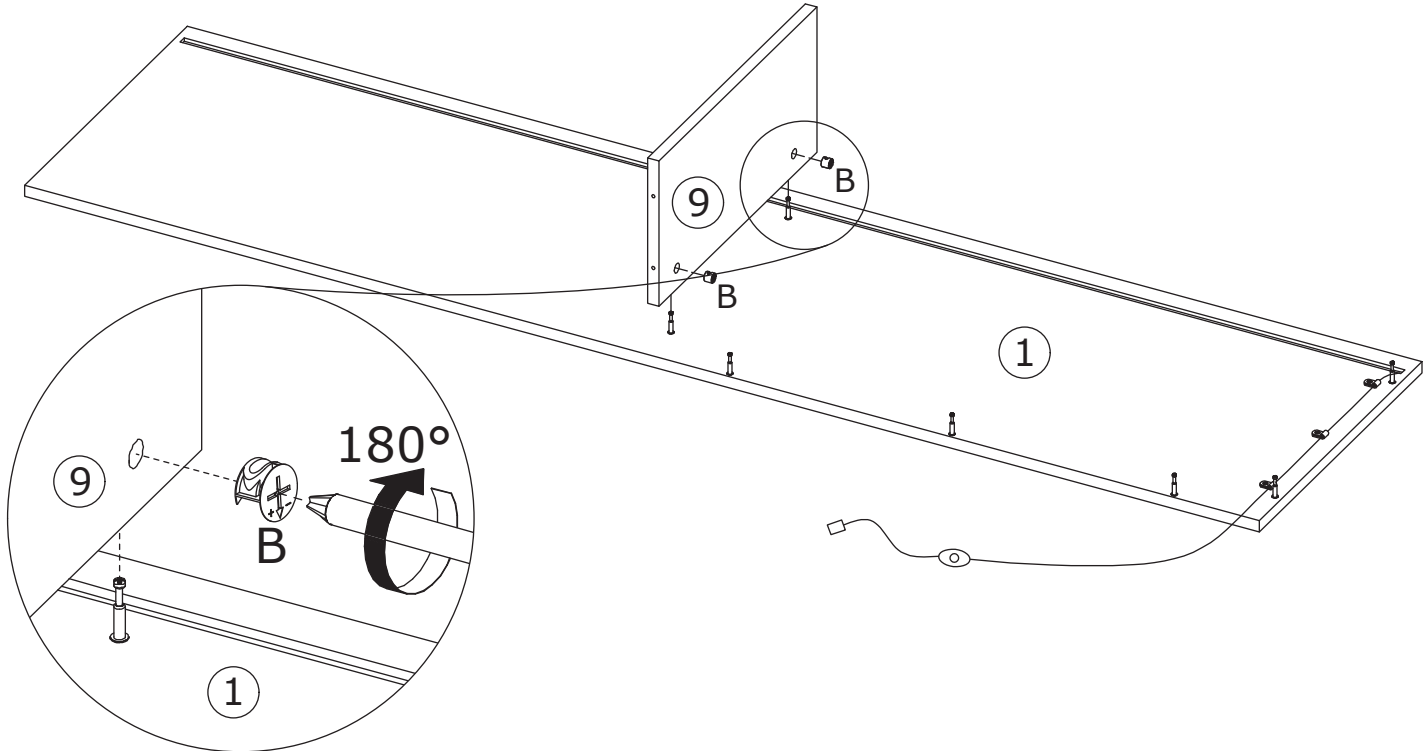
Screw eccentric rod(A) into panel 1 at first.



3



Attach panel 9 to panel 1, add cam lock(B) into panel 9 and turn clockwise to tighten as shown.

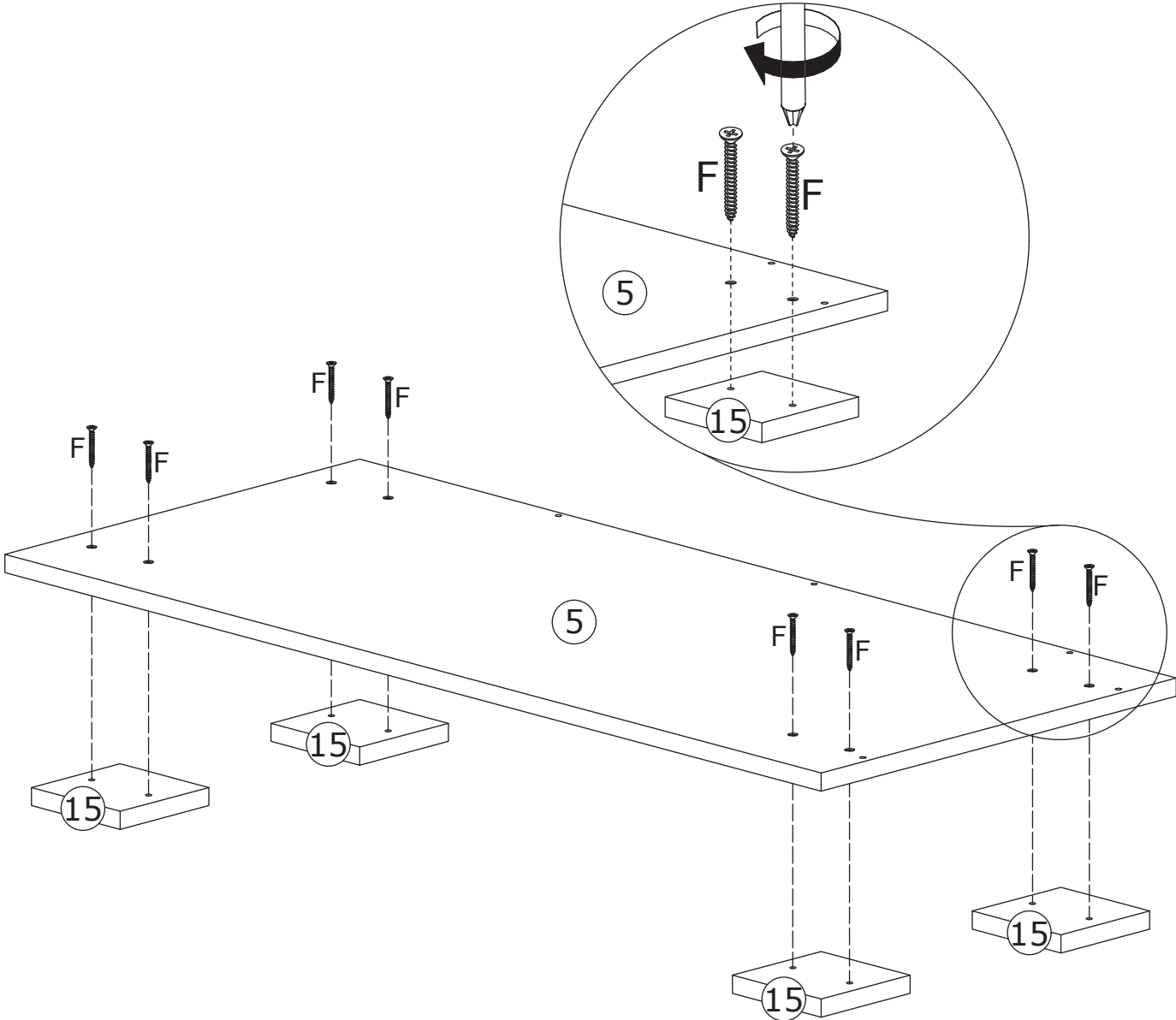


4

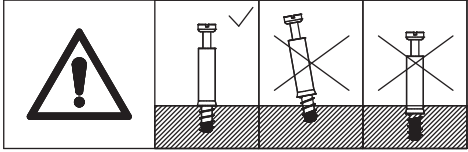
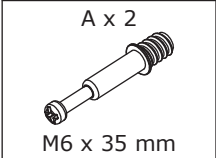
F x 8
M2.5 x 25 mm



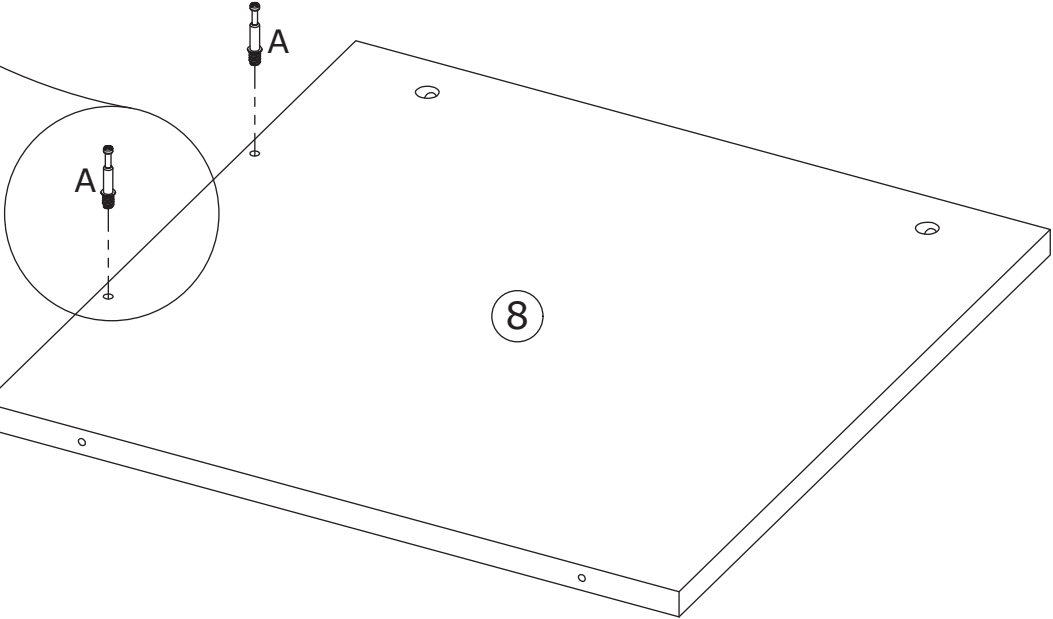
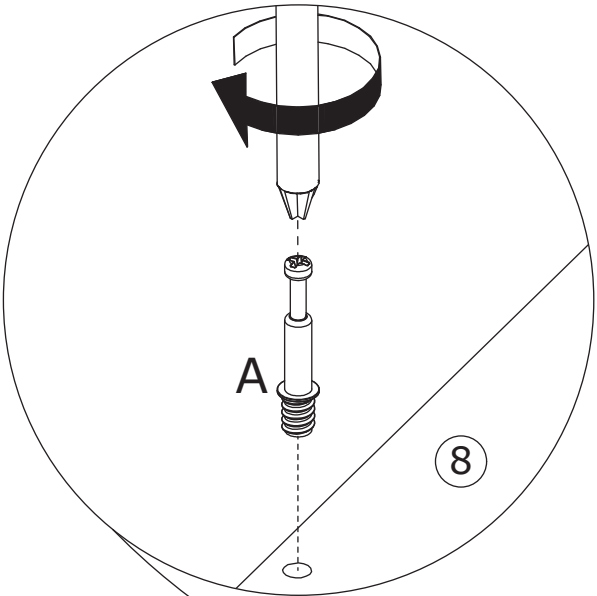
Fix panel 15 to panel 5 with screw(F) as shown.



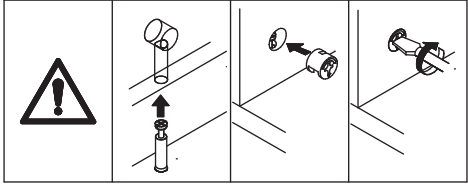
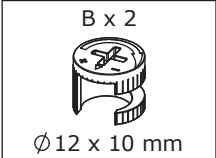
5



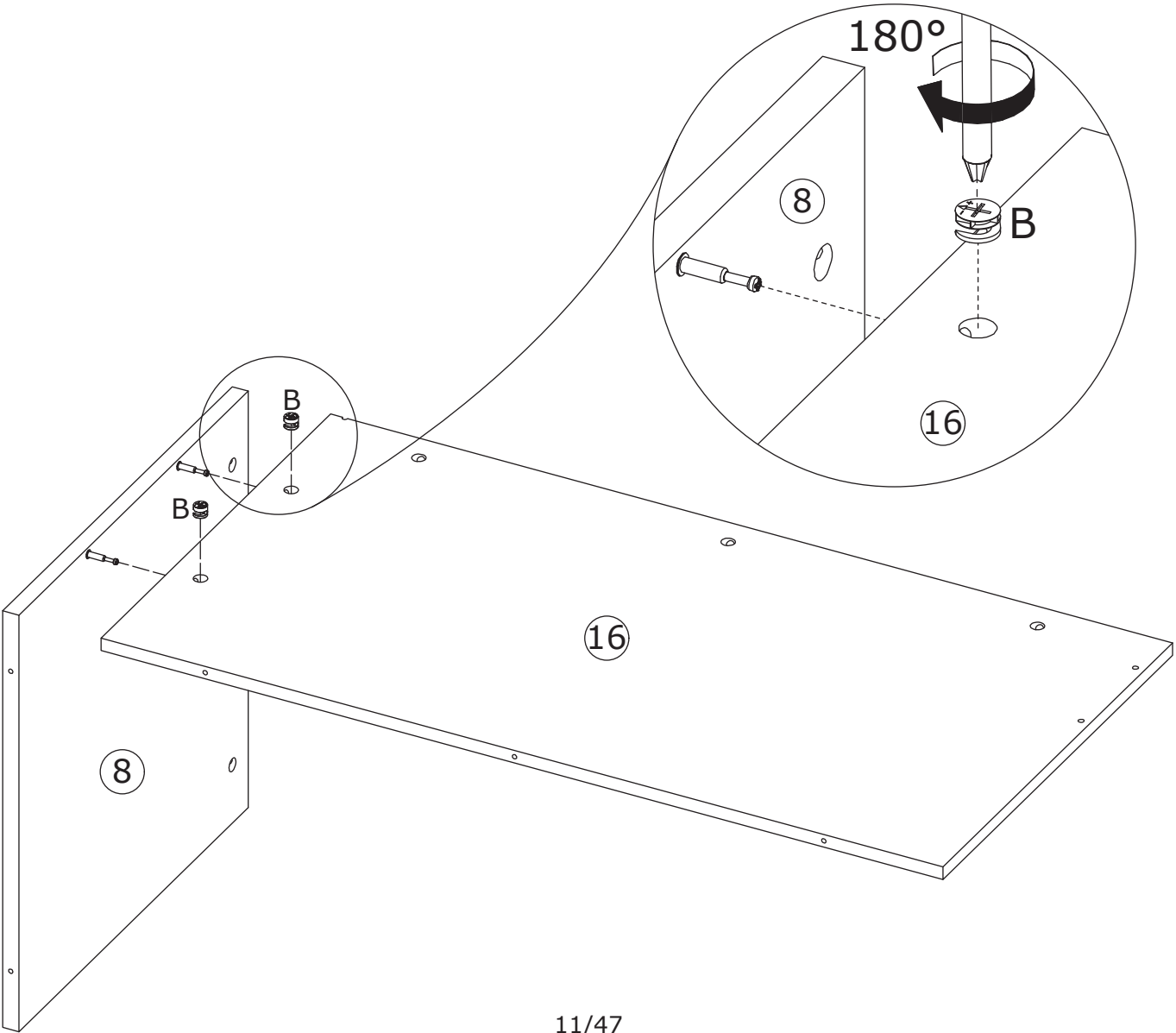
Screw eccentric rod(A) into panel 8 at first.



6



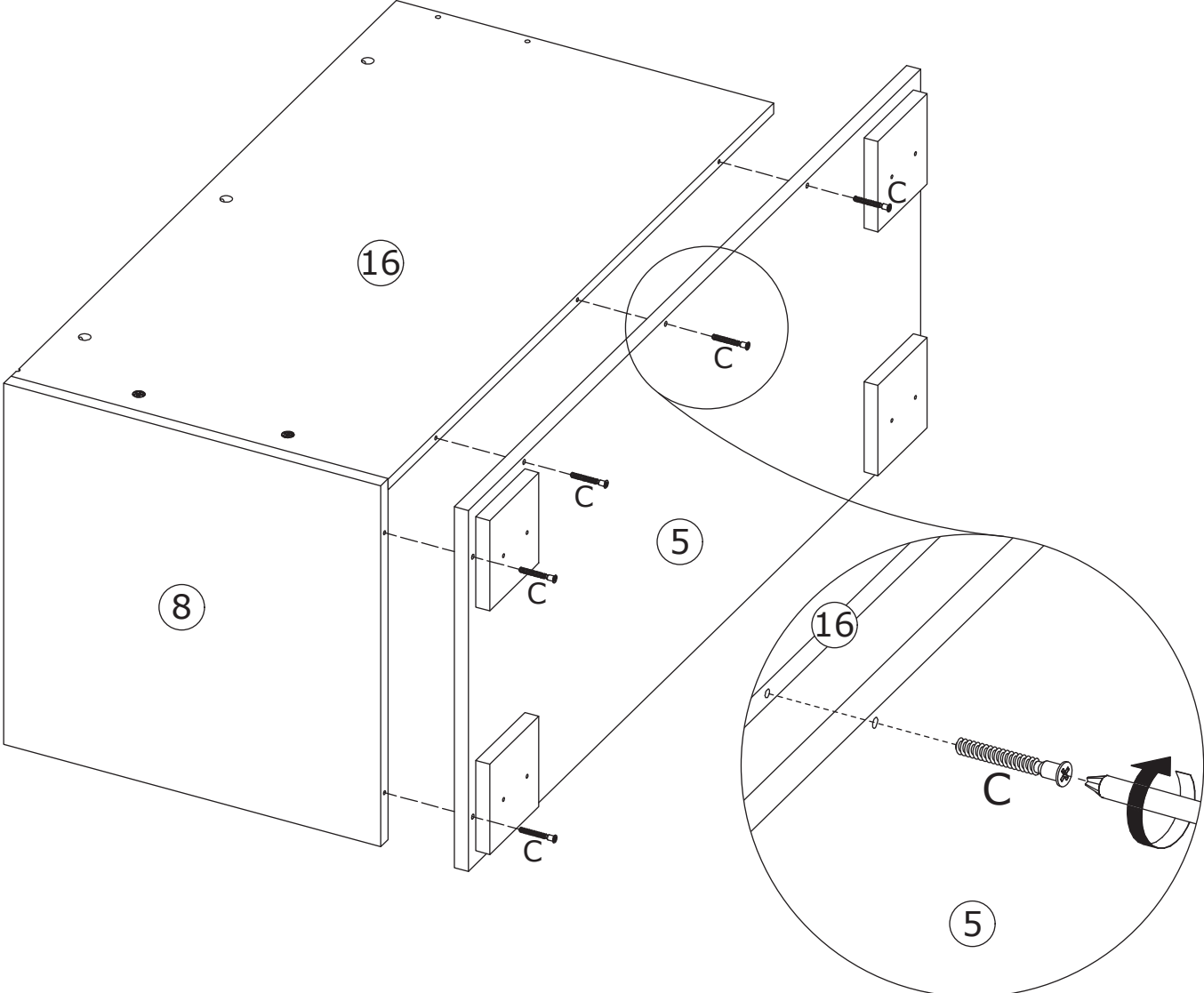
Attach panel 16 to panel 8, add cam lock(B) into panel 16 and turn clockwise to tighten as shown.



7

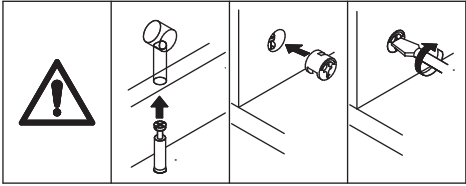


Fix panel 5 to panel 8 and 16 with screw(C) as shown.

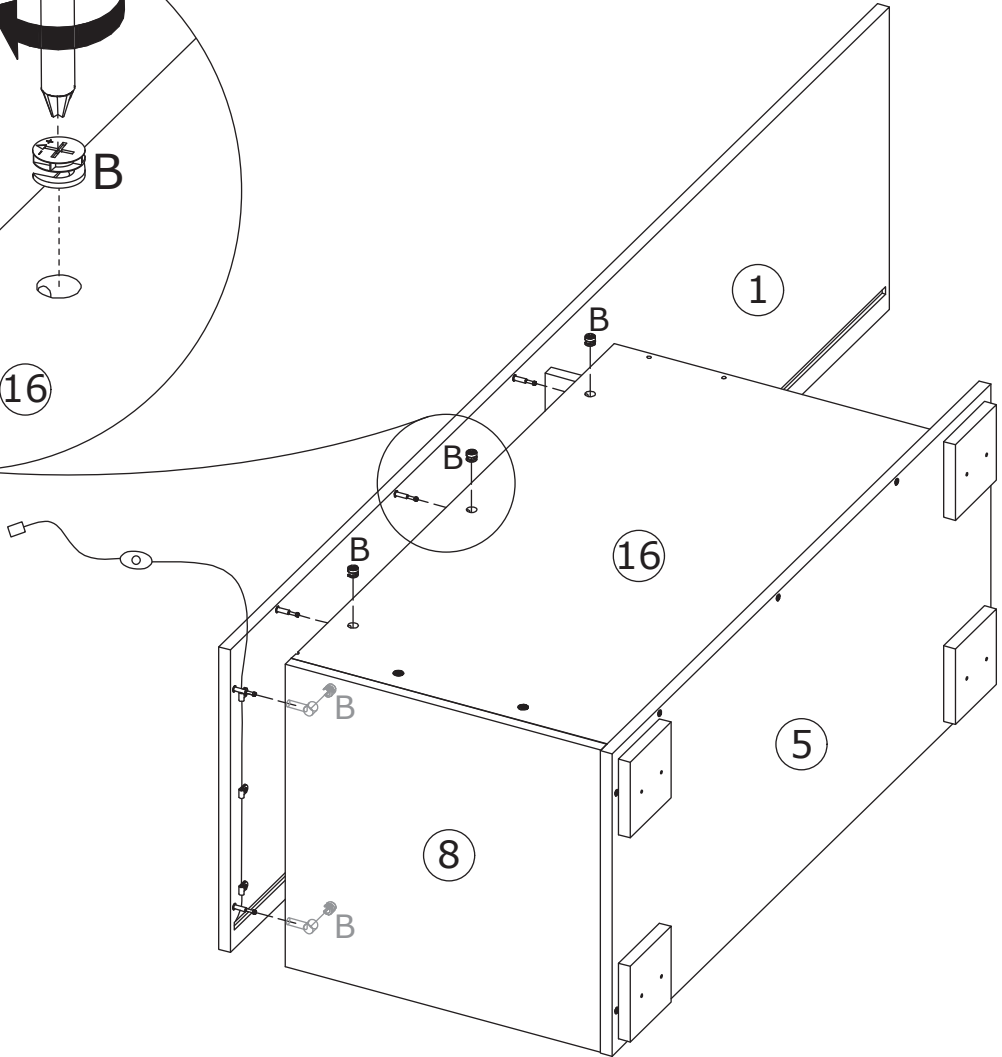
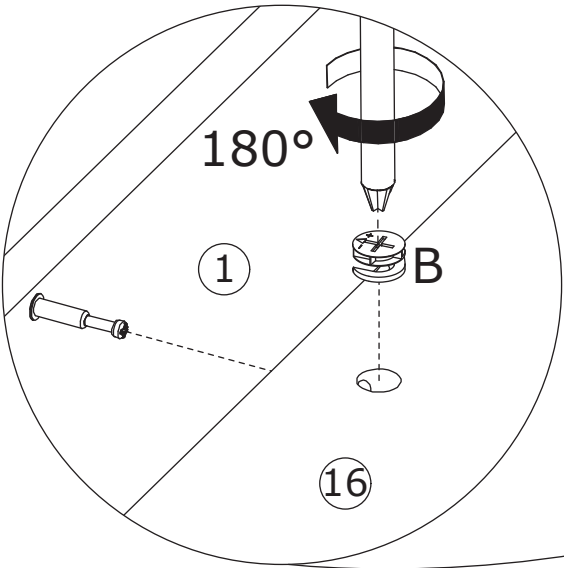


8

B x 5
Ø12 x 10 mm

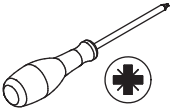


Attach the component to panel 1, add cam lock(B) into panel 8,16 and turn clockwise to tighten as shown.

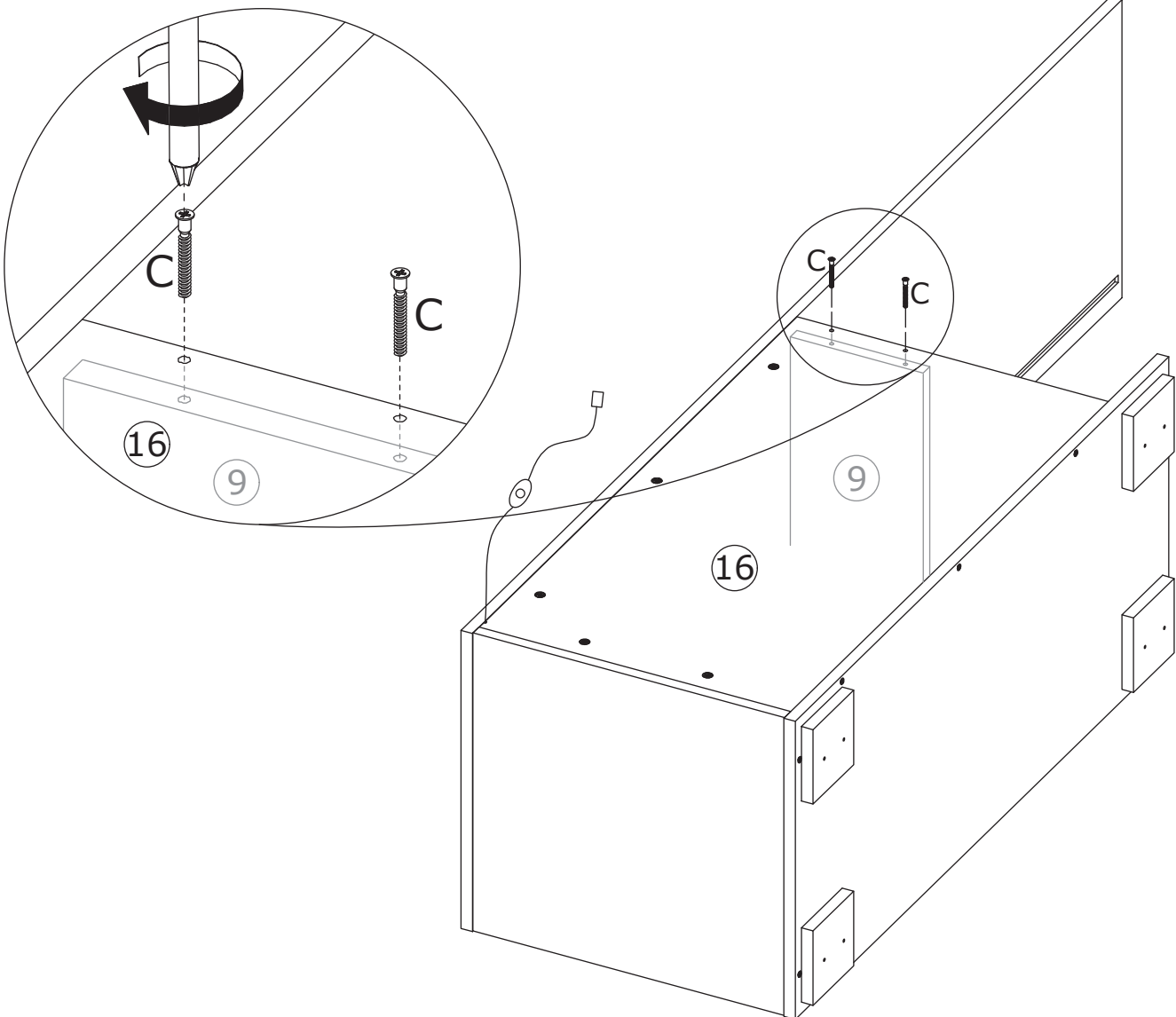


9

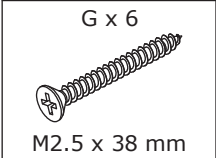
C x 2
M5 x 40 mm



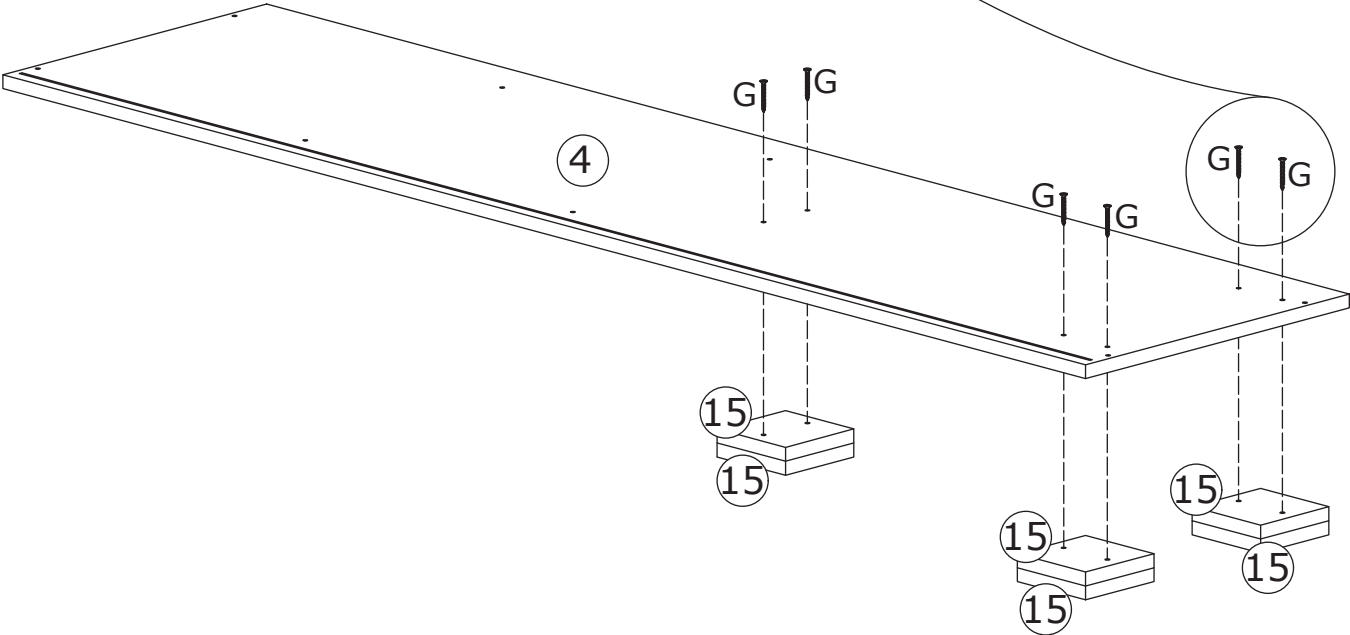
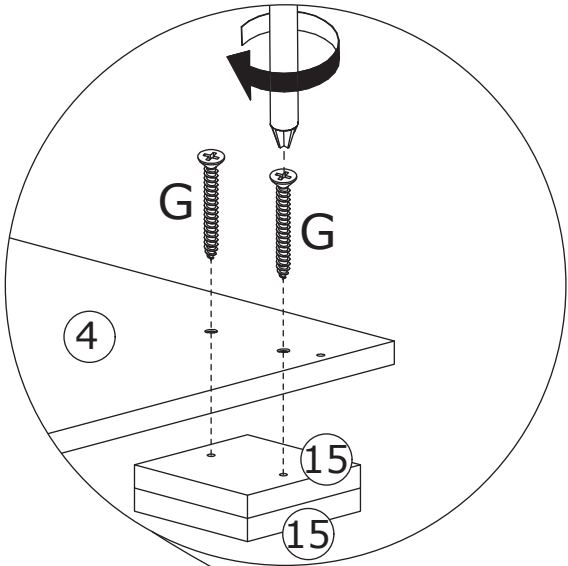
Fix panel 16 to panel 9 with screw(C) as shown.



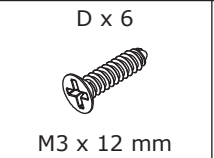
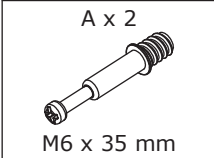
10



Fix panel 15 to panel 4 with screw(G) as shown.

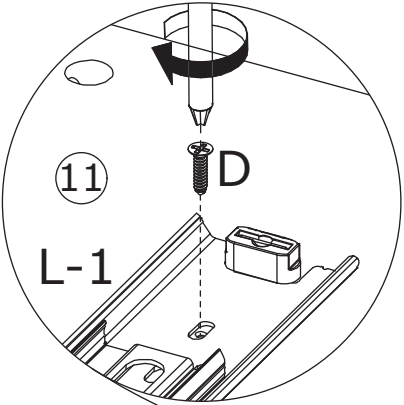
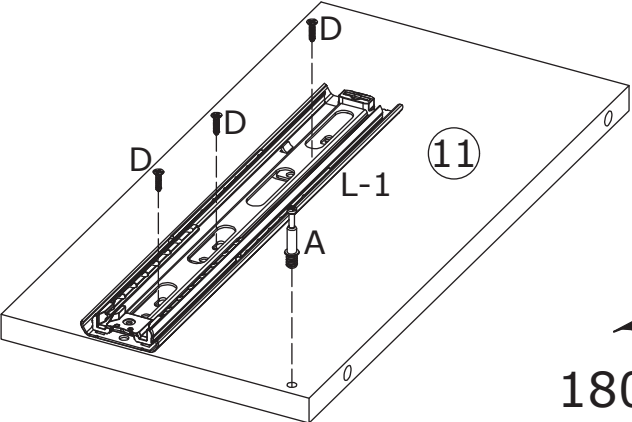
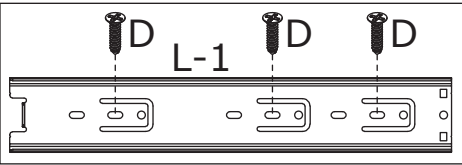
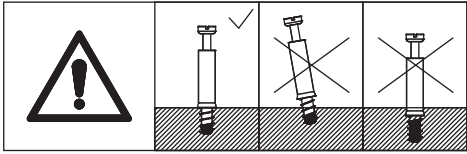


11

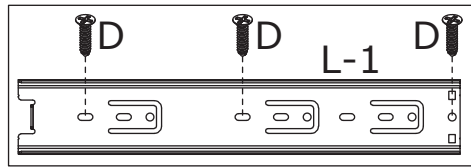
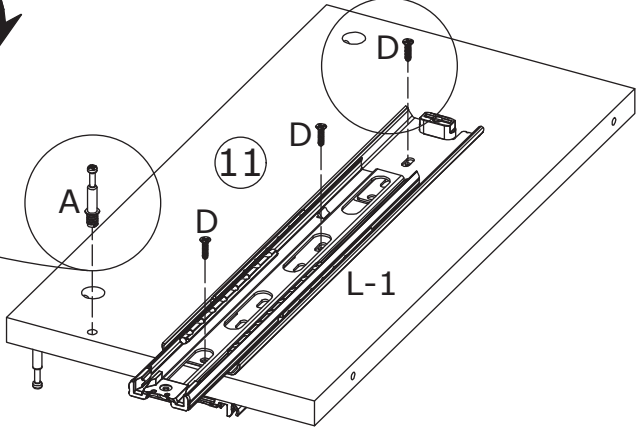
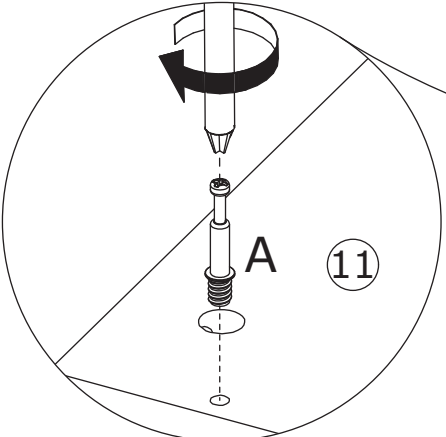


Fix rail(L-1) to panel 11 with screw(D) and screw eccentric rod(A) into at first.

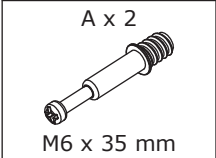
Flip to back, fix rail(L-1) and screw eccentric rod(A) as shown.



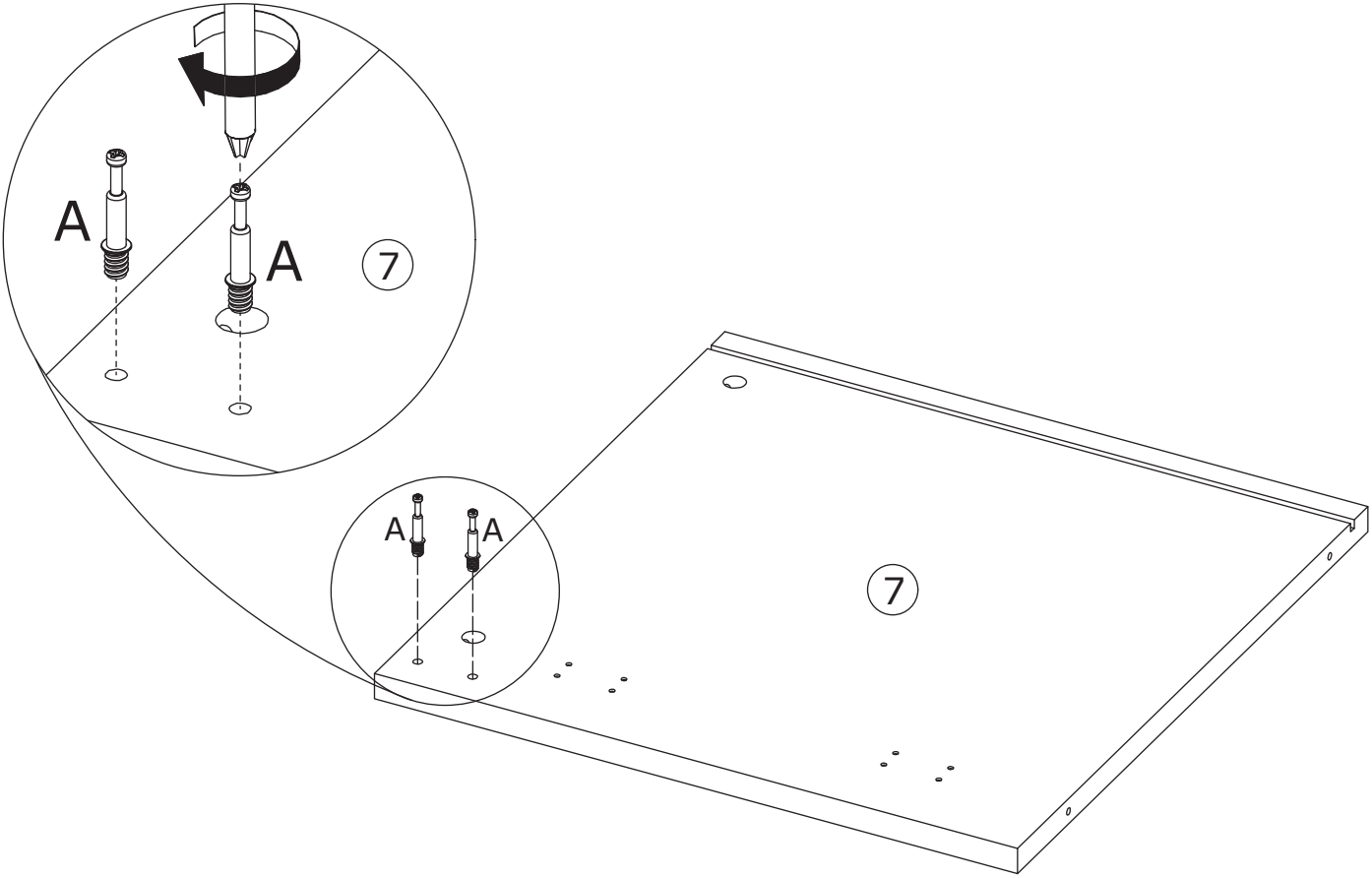
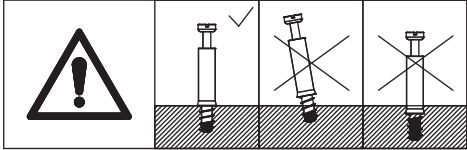
180°



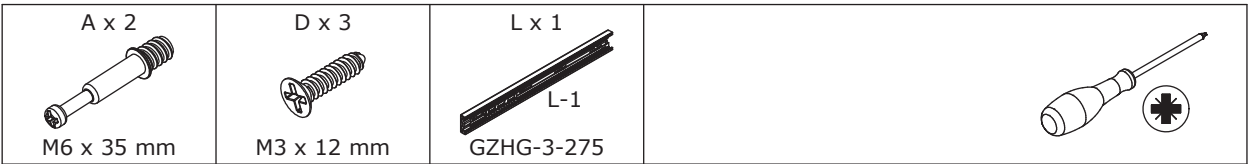
12



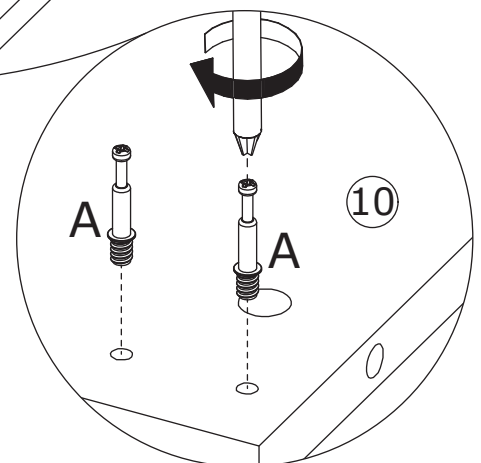
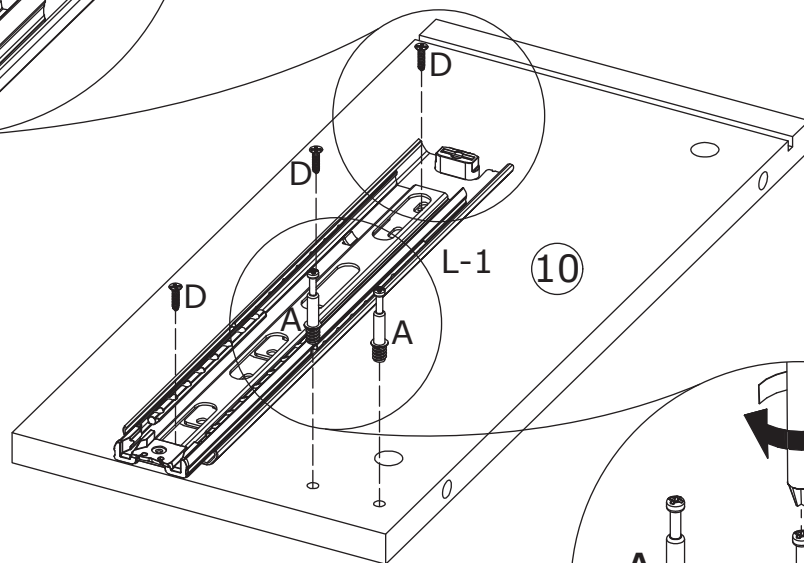
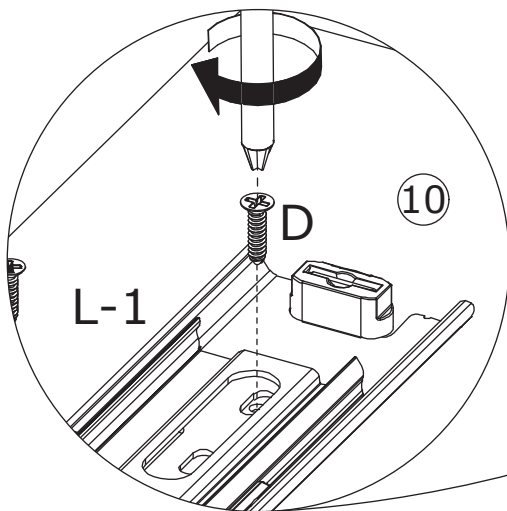
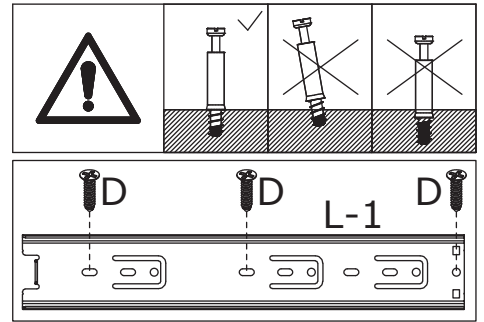
Screw eccentric rod(A) into panel 7 at first.



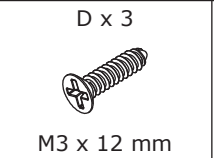
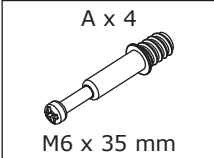
13



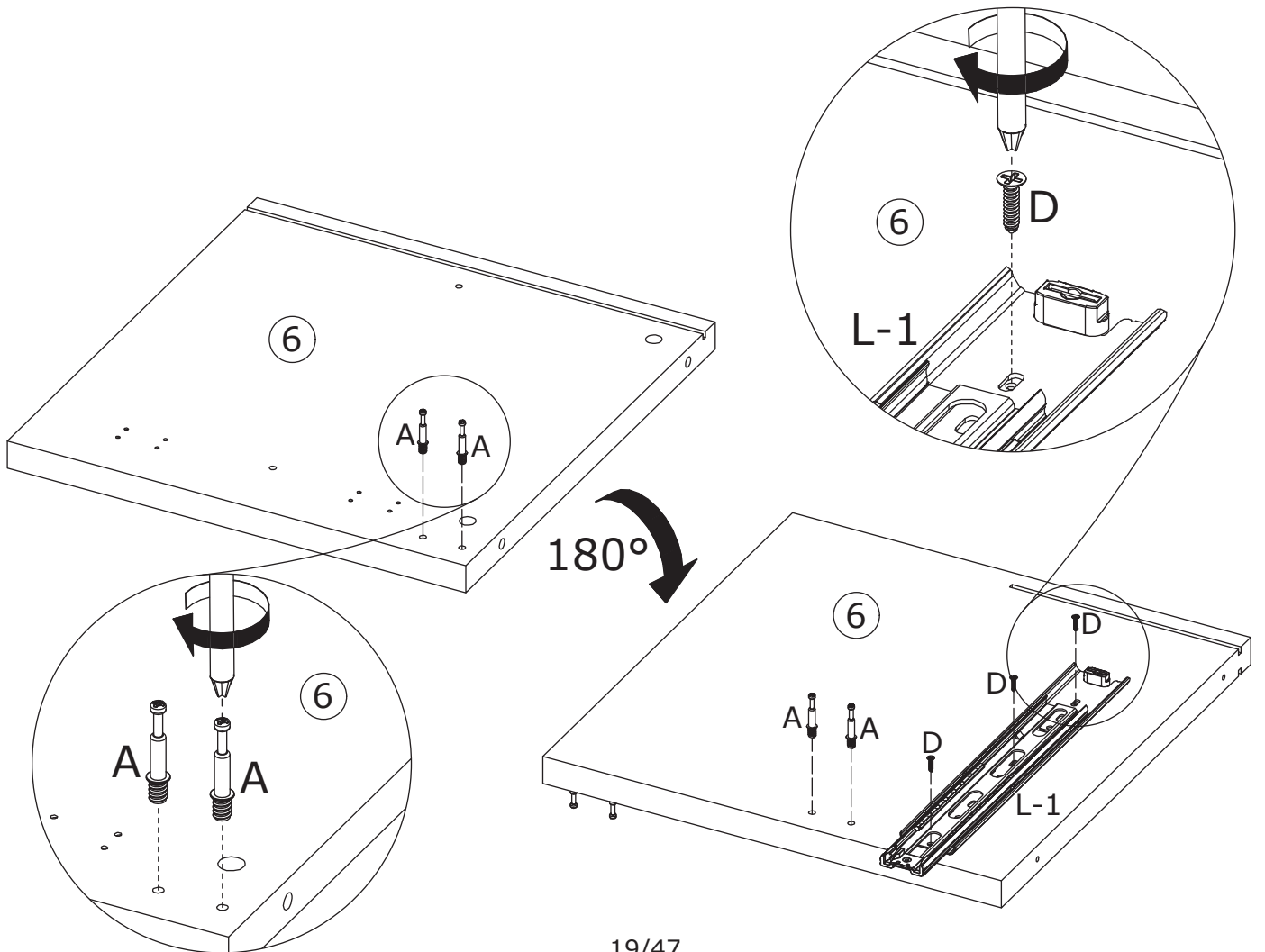
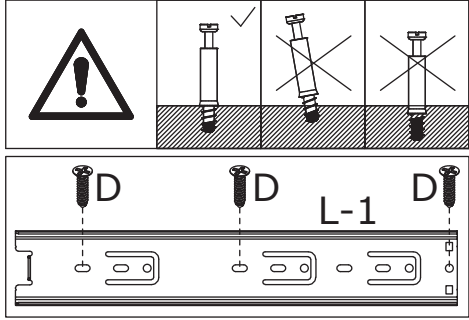
Fix rail(L-1) to panel 10 with screw(D) and screw eccentric rod(A) into as shown.



14



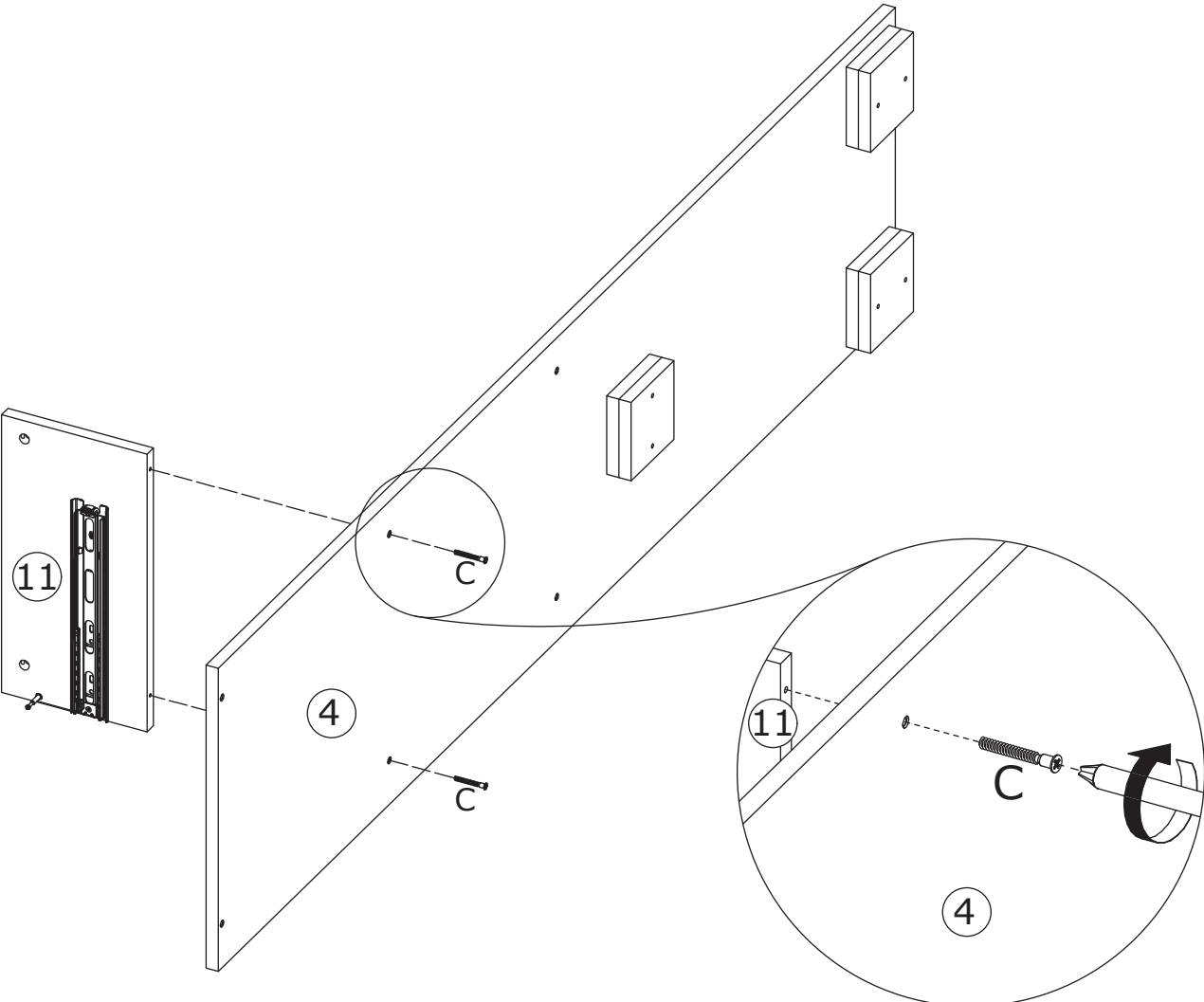
Screw eccentric rod(A) into panel 6 at first.
Flip to back, fix rail(L-1) and screw
eccentric rod(A) as shown.



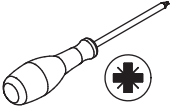
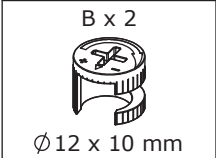
15



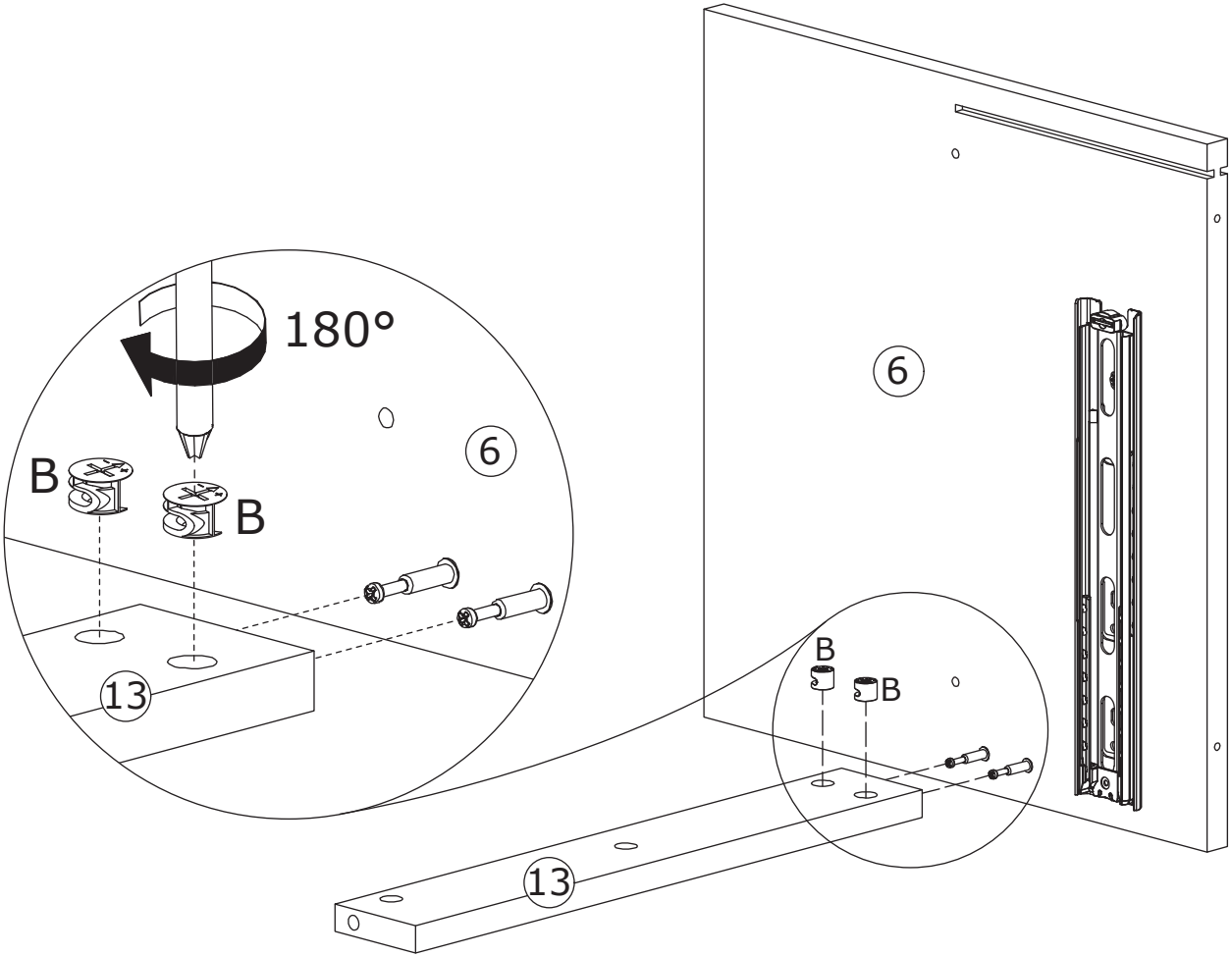
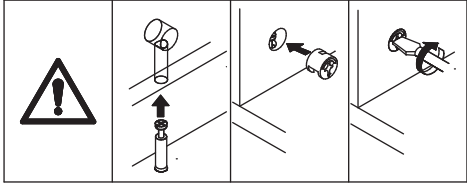
Fix panel 11 to panel 4 with screw(C) as shown.



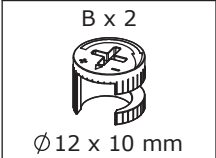
16



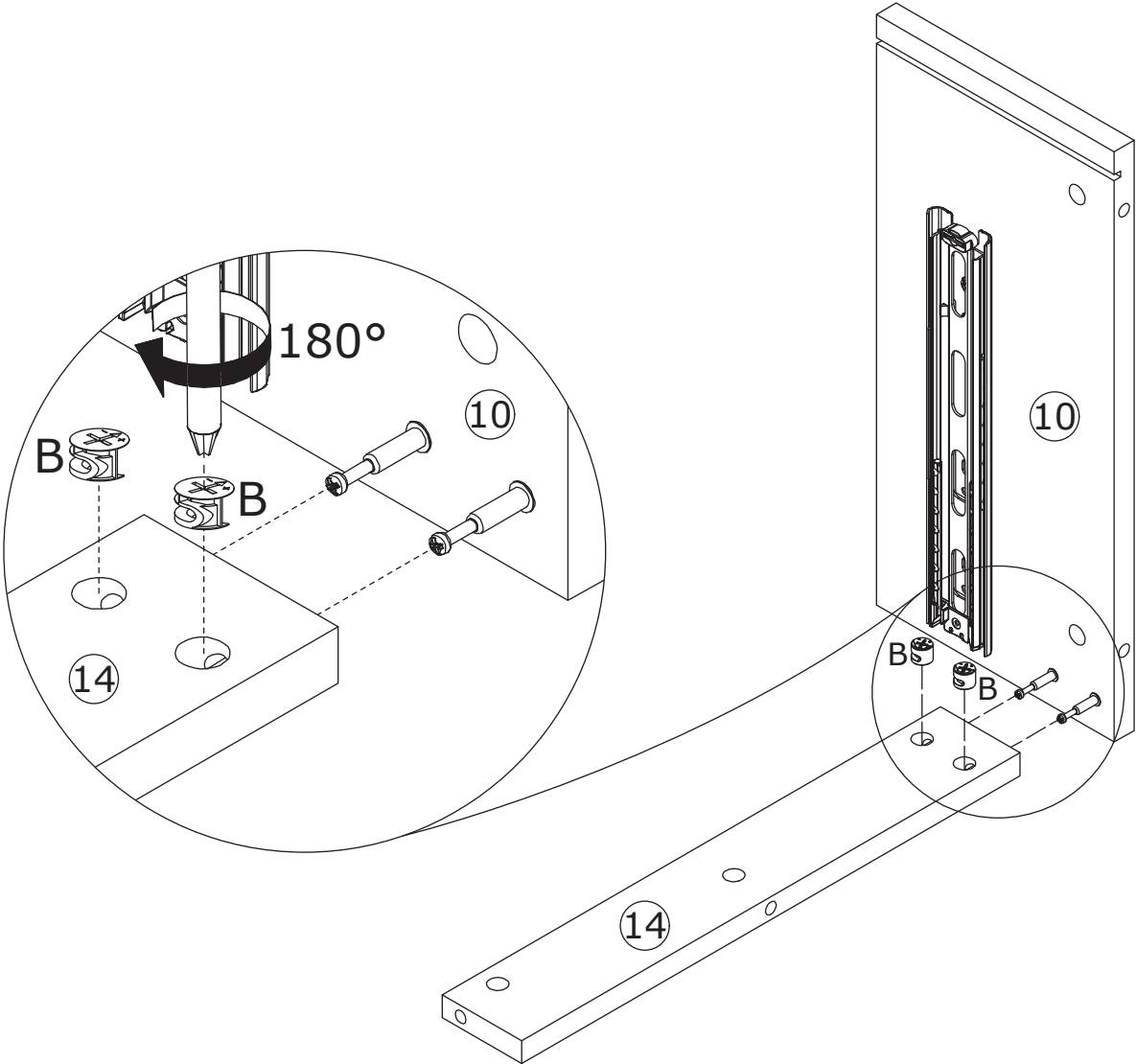
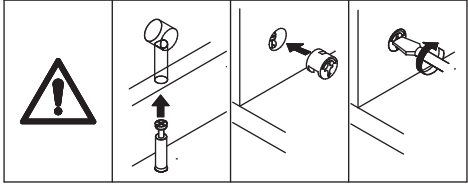
Attach panel 13 to panel 6, add cam lock(B) into panel 13 and turn clockwise to tighten as shown.



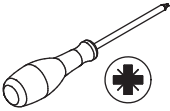
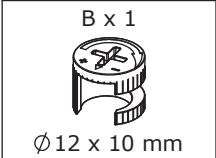
17



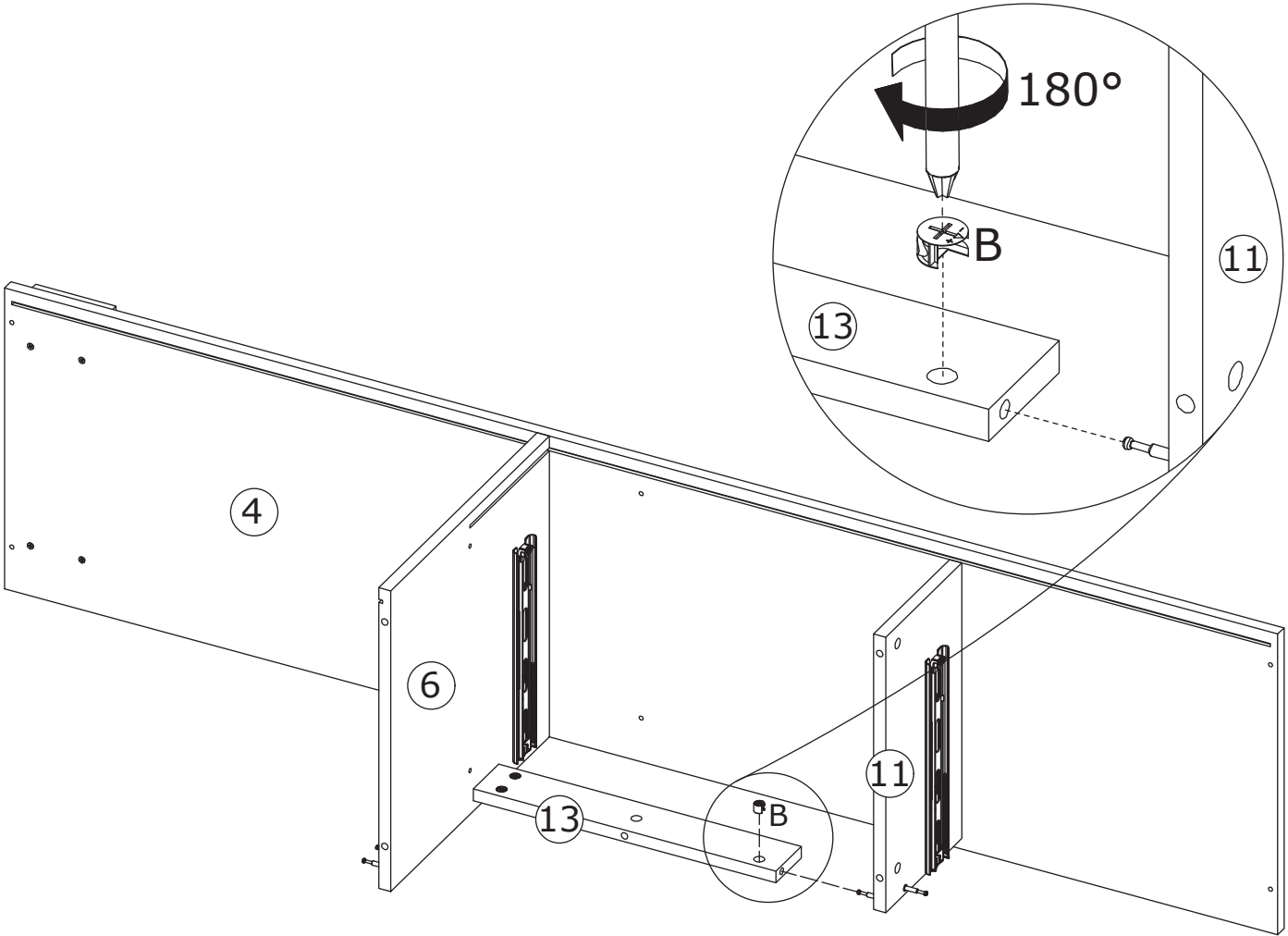
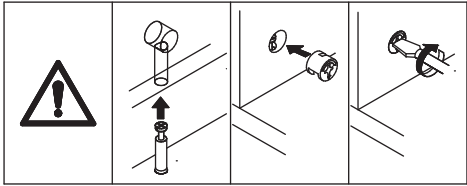
Attach panel 10 to panel 14, add cam lock(B) into panel 14 and turn clockwise to tighten as shown.



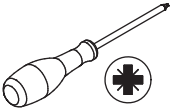
18



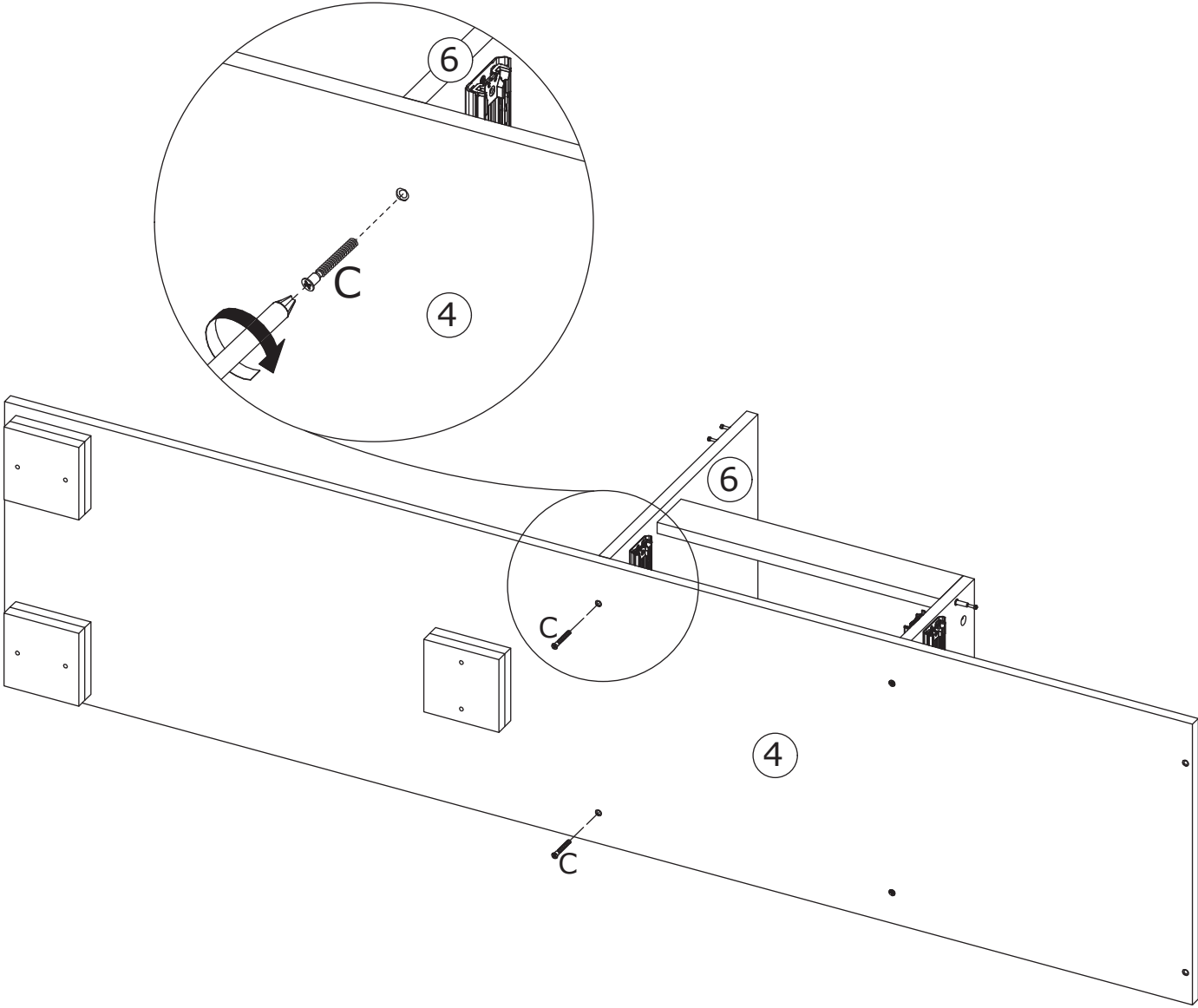
Attach panel 13 to panel 11, add cam lock(B) into panel 13 and turn clockwise to tighten as shown.



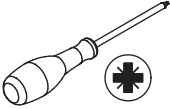
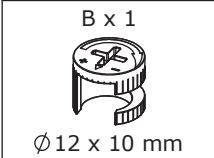
19



Fix panel 11 to panel 4 with screw(C) as shown.

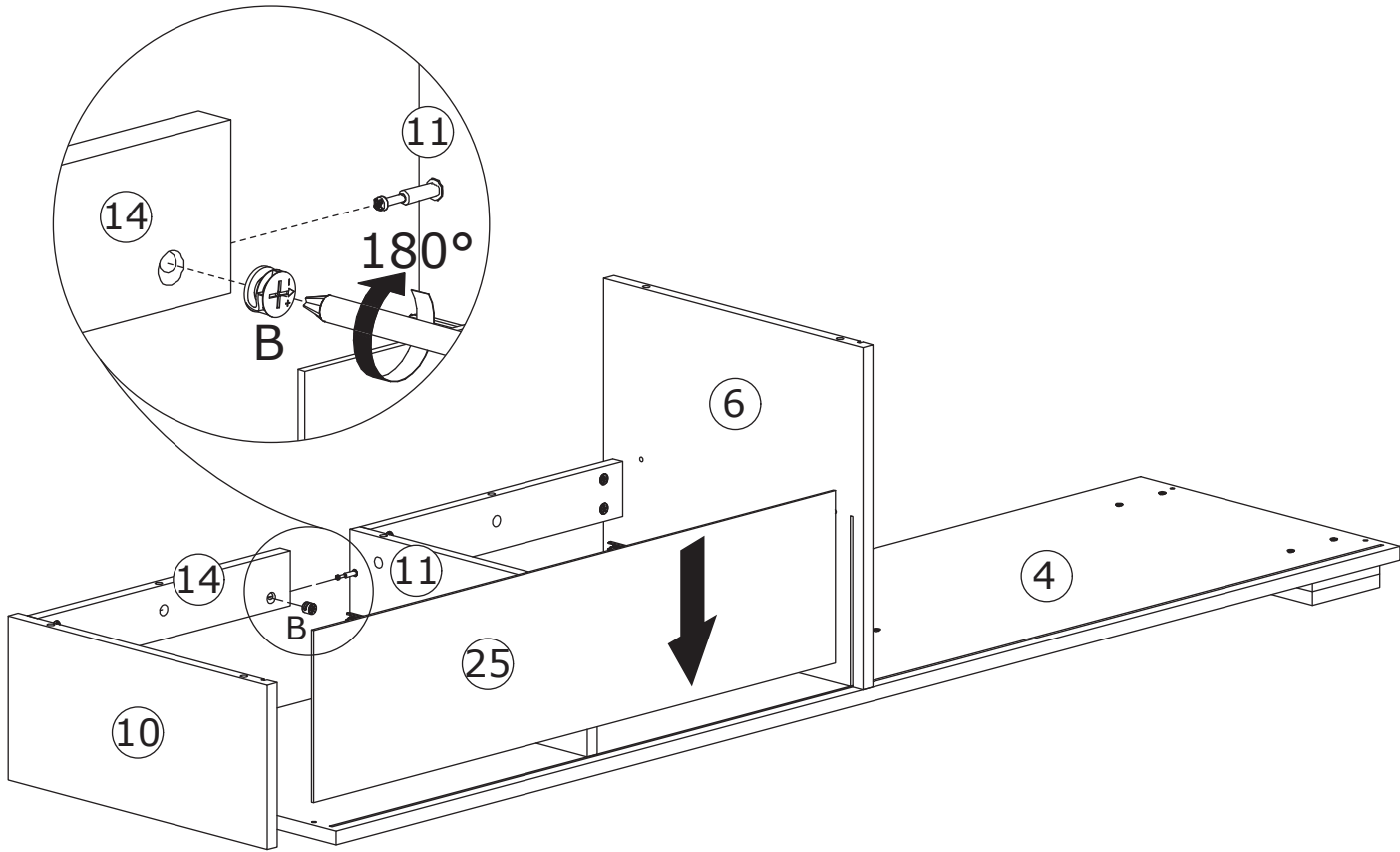
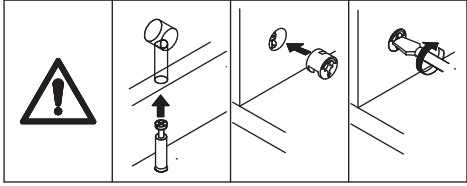


20

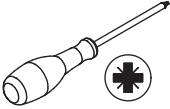


Attach panel 14 to panel 11, add cam lock(B) into panel 14 and turn clockwise to tighten as shown.

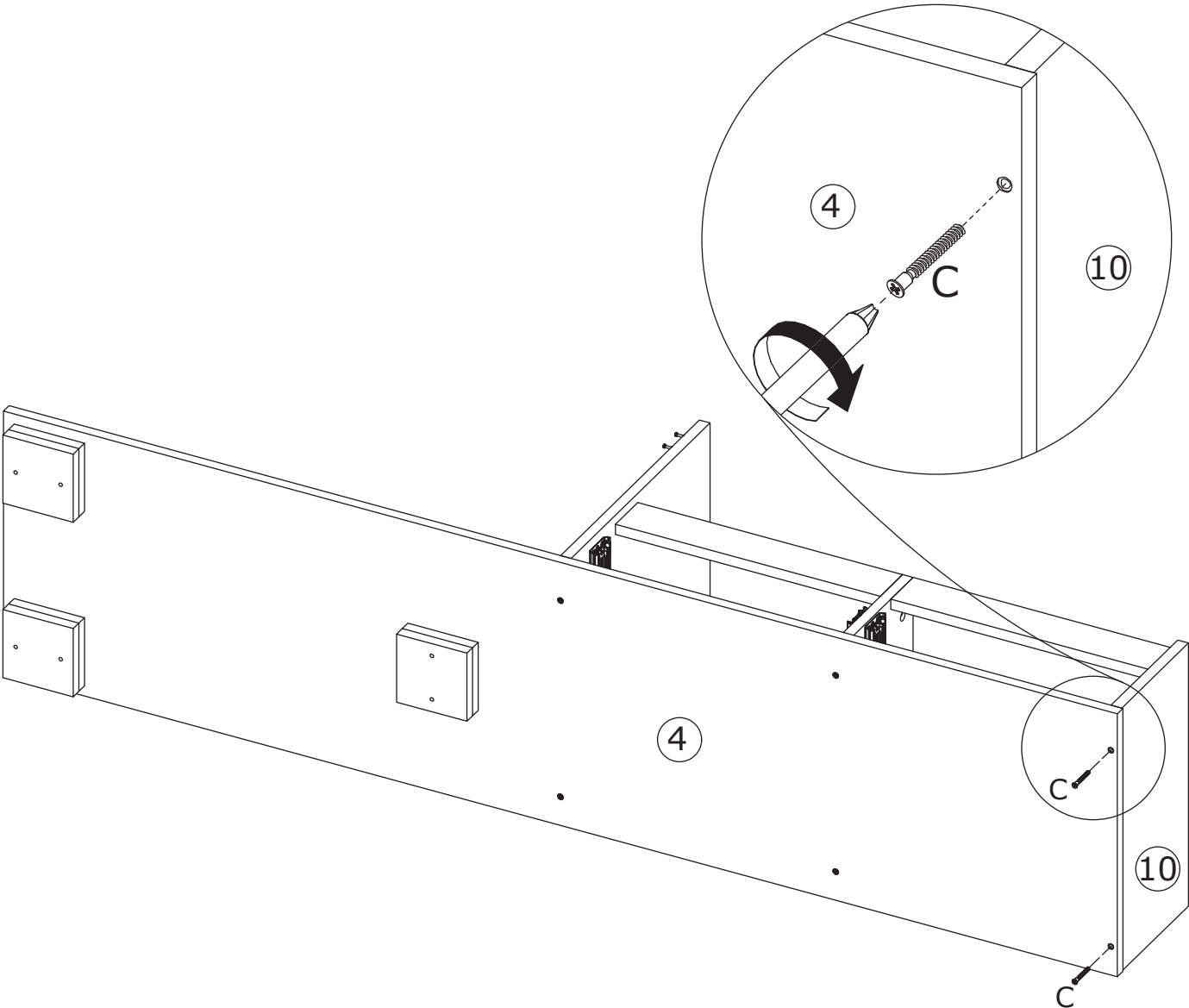
Insert back panel 25 along available grooves as shown.



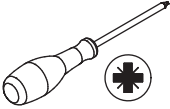
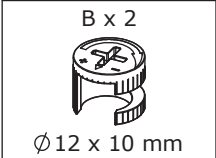
21



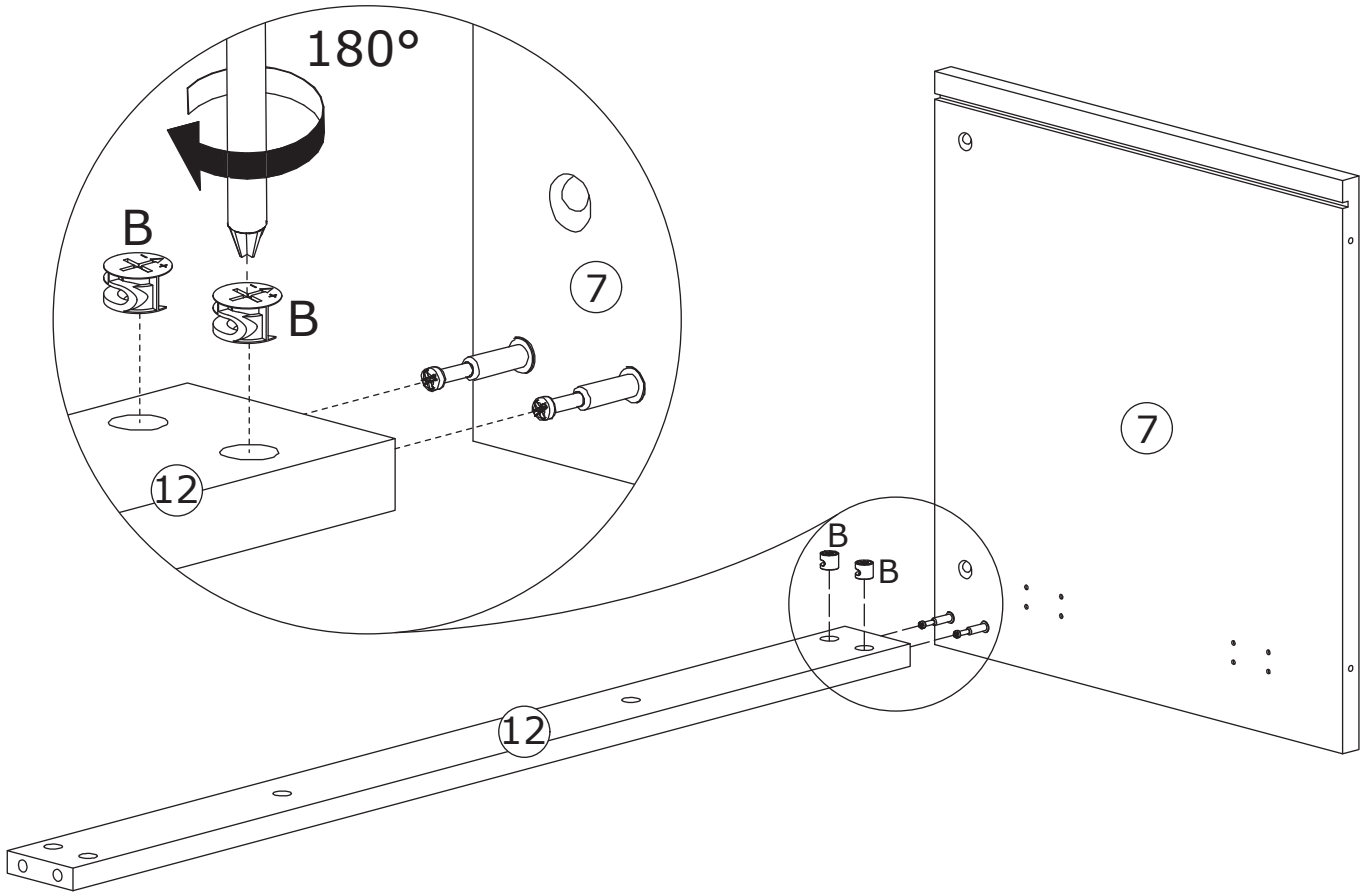
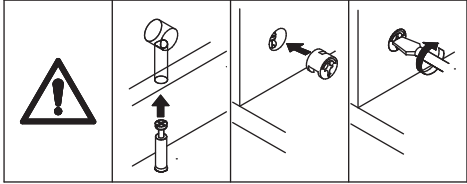
Fix panel 10 to panel 4 with screw(C) as shown.



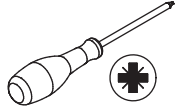
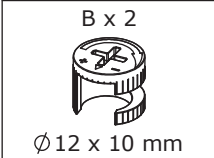
22



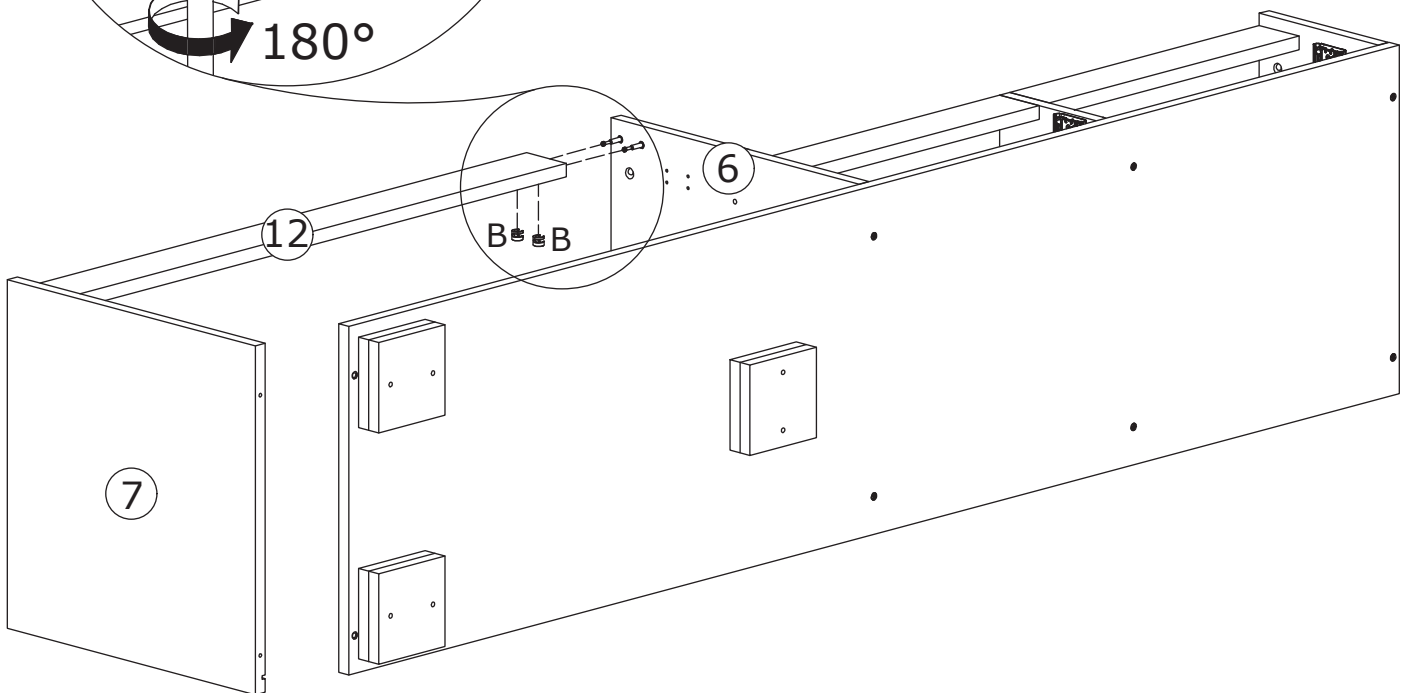
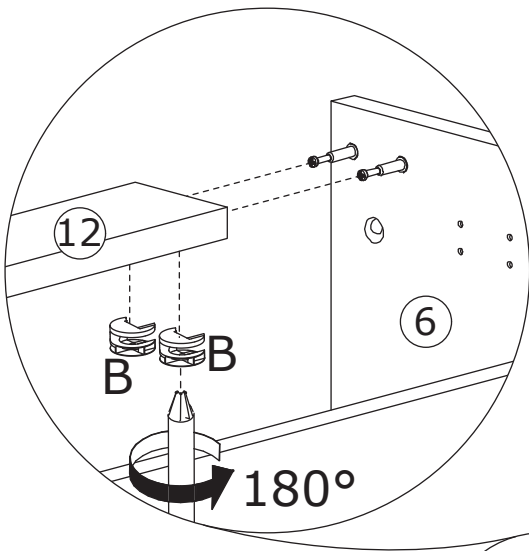
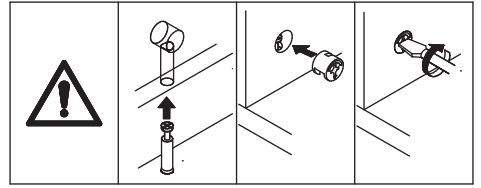
Attach panel 12 to panel 7, add cam lock(B) into panel 12 and turn clockwise to tighten as shown.



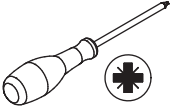
23



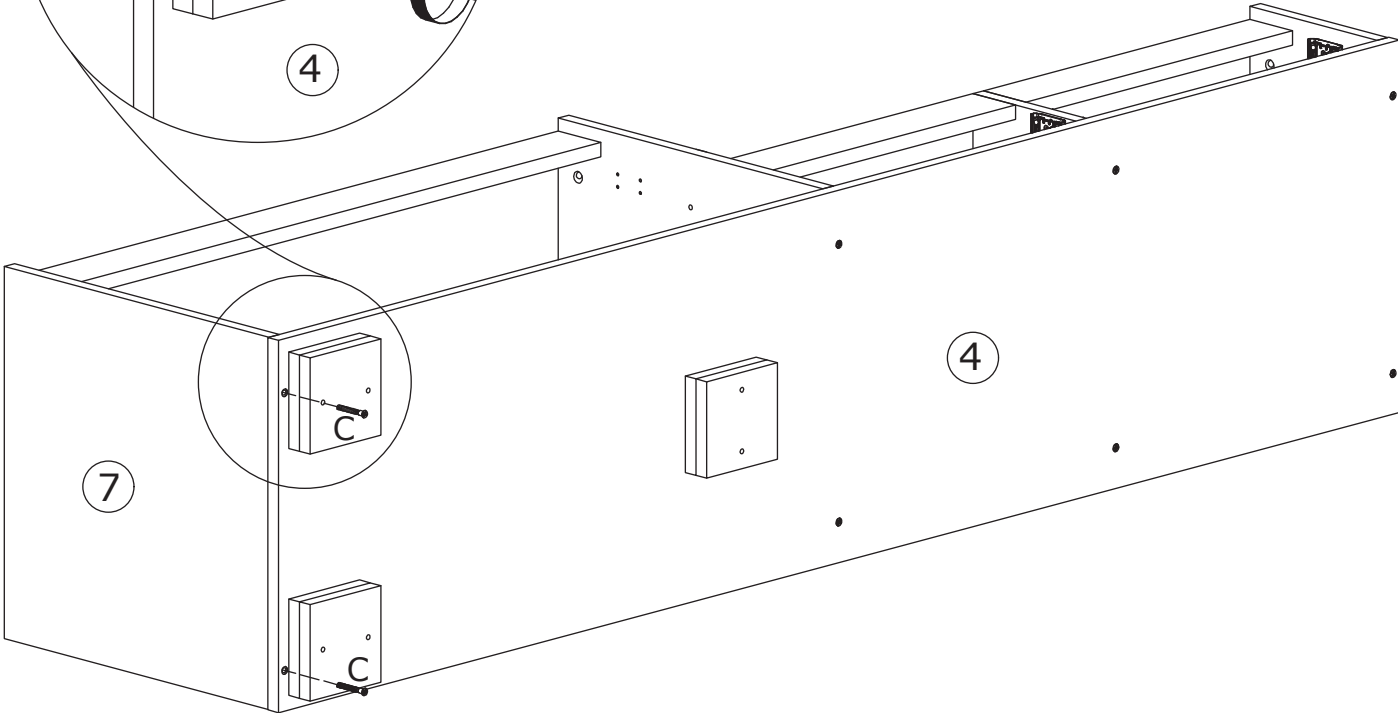
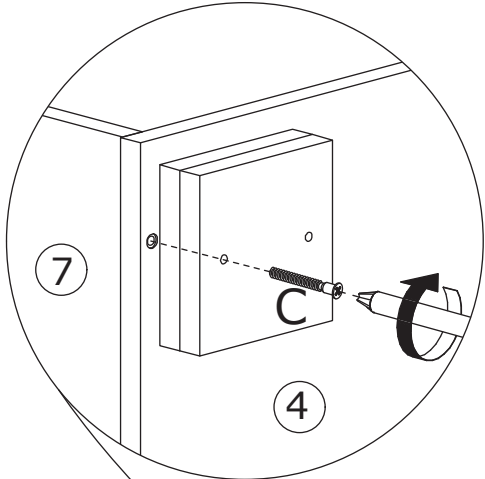
Attach panel 12 to panel 6, add cam lock(B) into panel 12 and turn clockwise to tighten as shown.



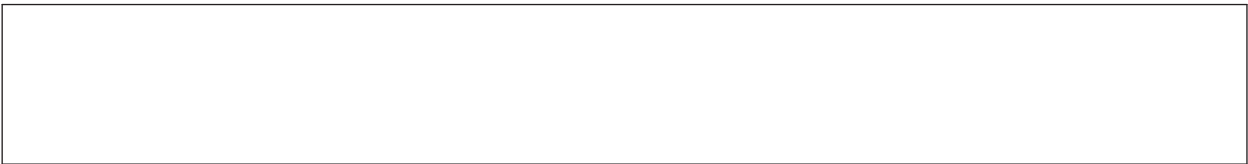
24



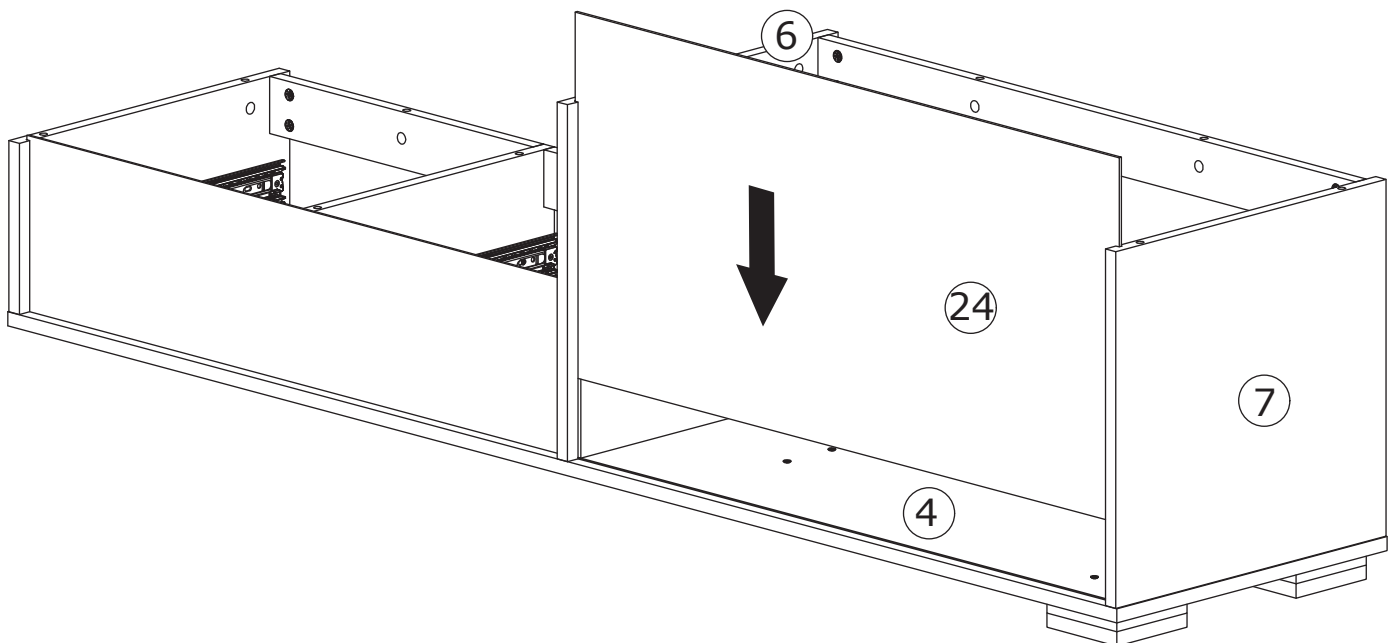
Fix panel 7 to panel 4 with screw(C) as shown.



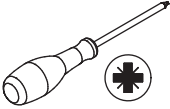
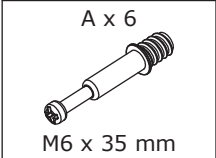
25



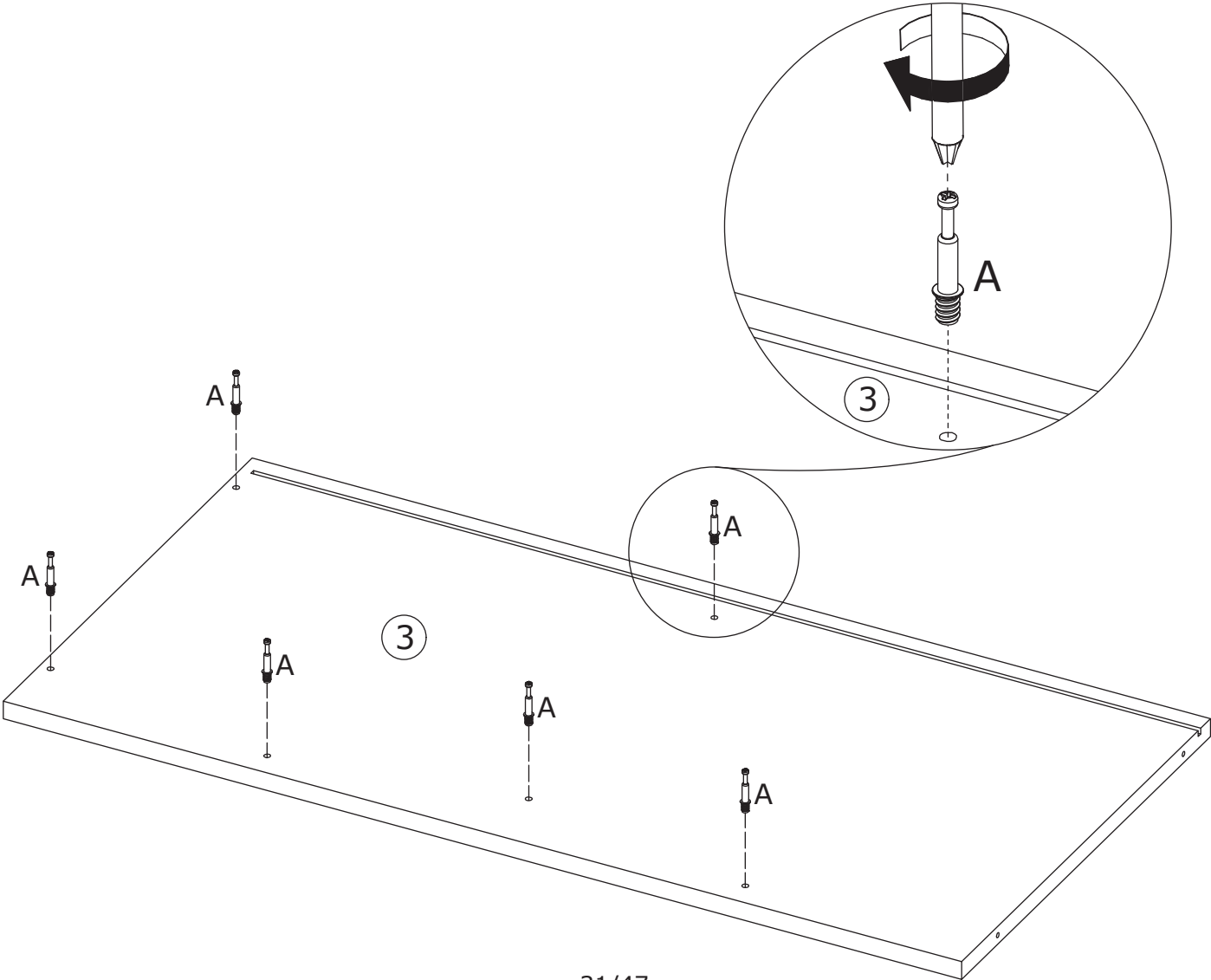
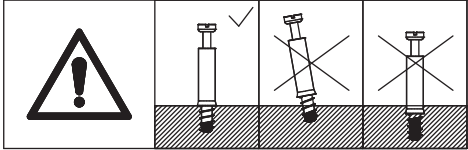
Insert back panel 24 along available grooves as shown.



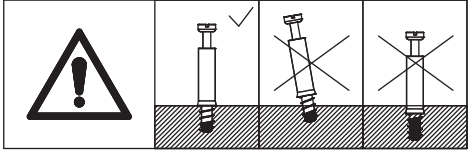
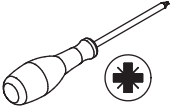
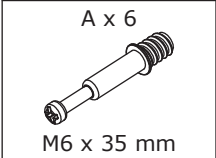
26



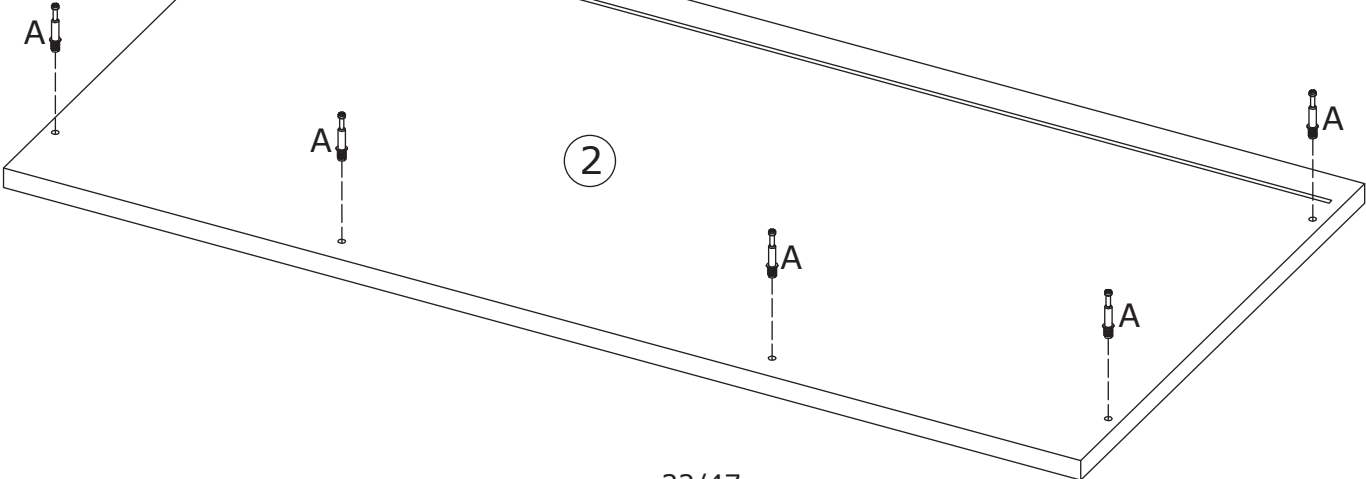
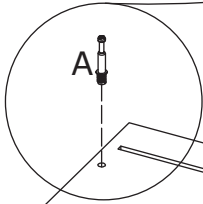
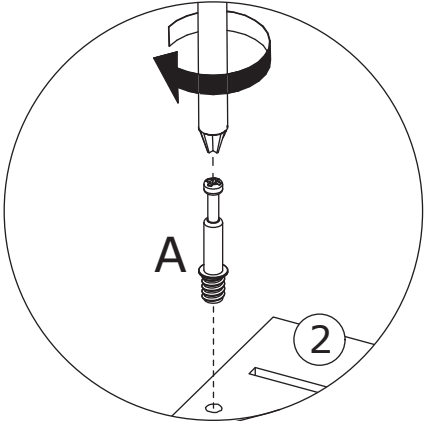
Screw eccentric rod(A) into panel 3 at first.



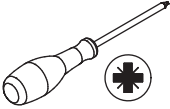
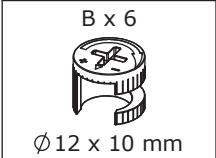
27



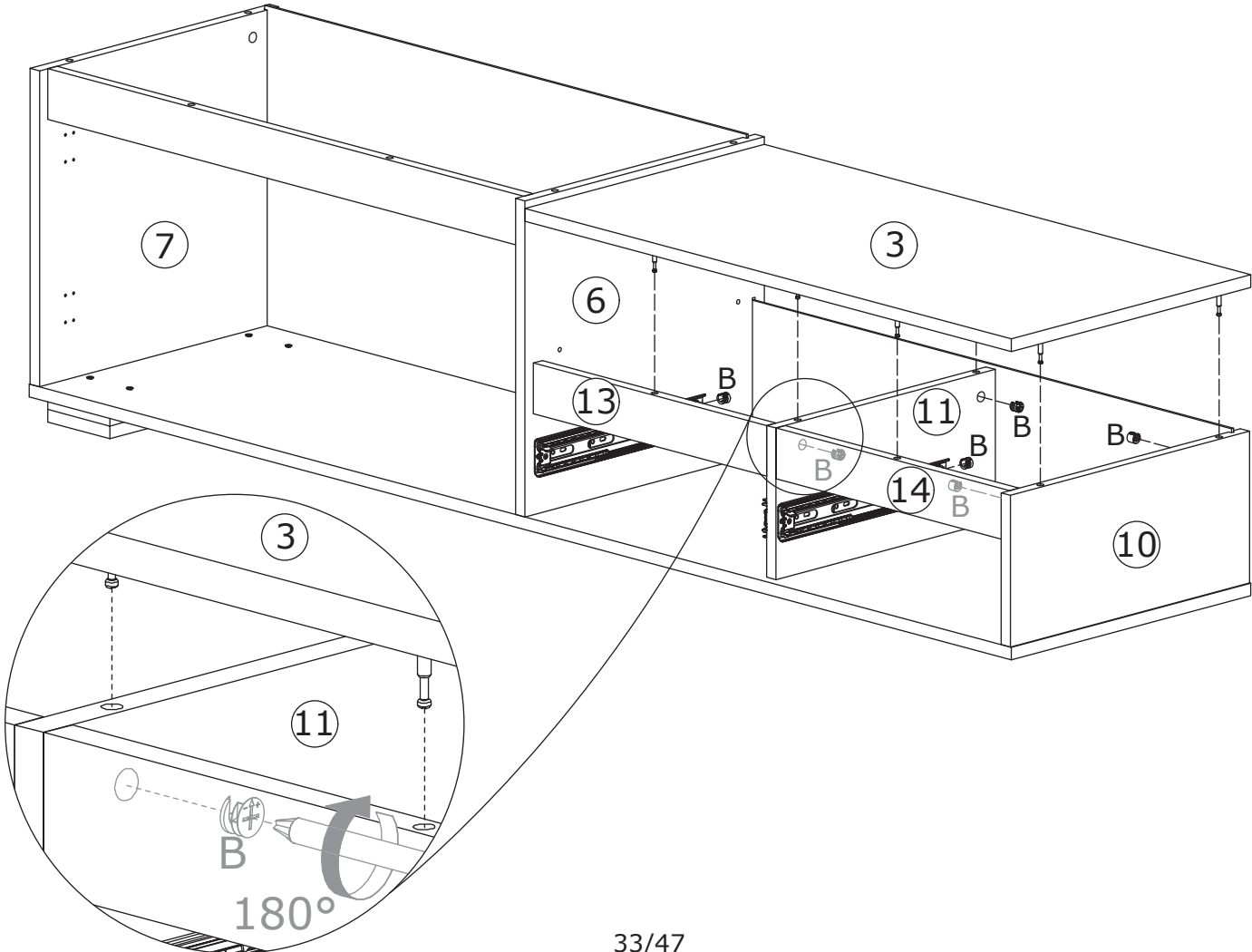
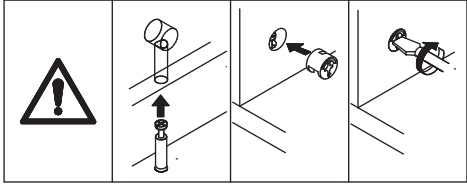
Screw eccentric rod(A) into panel 2 at first.



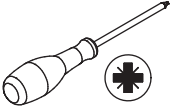
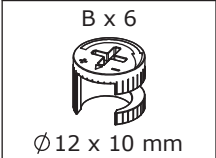
28



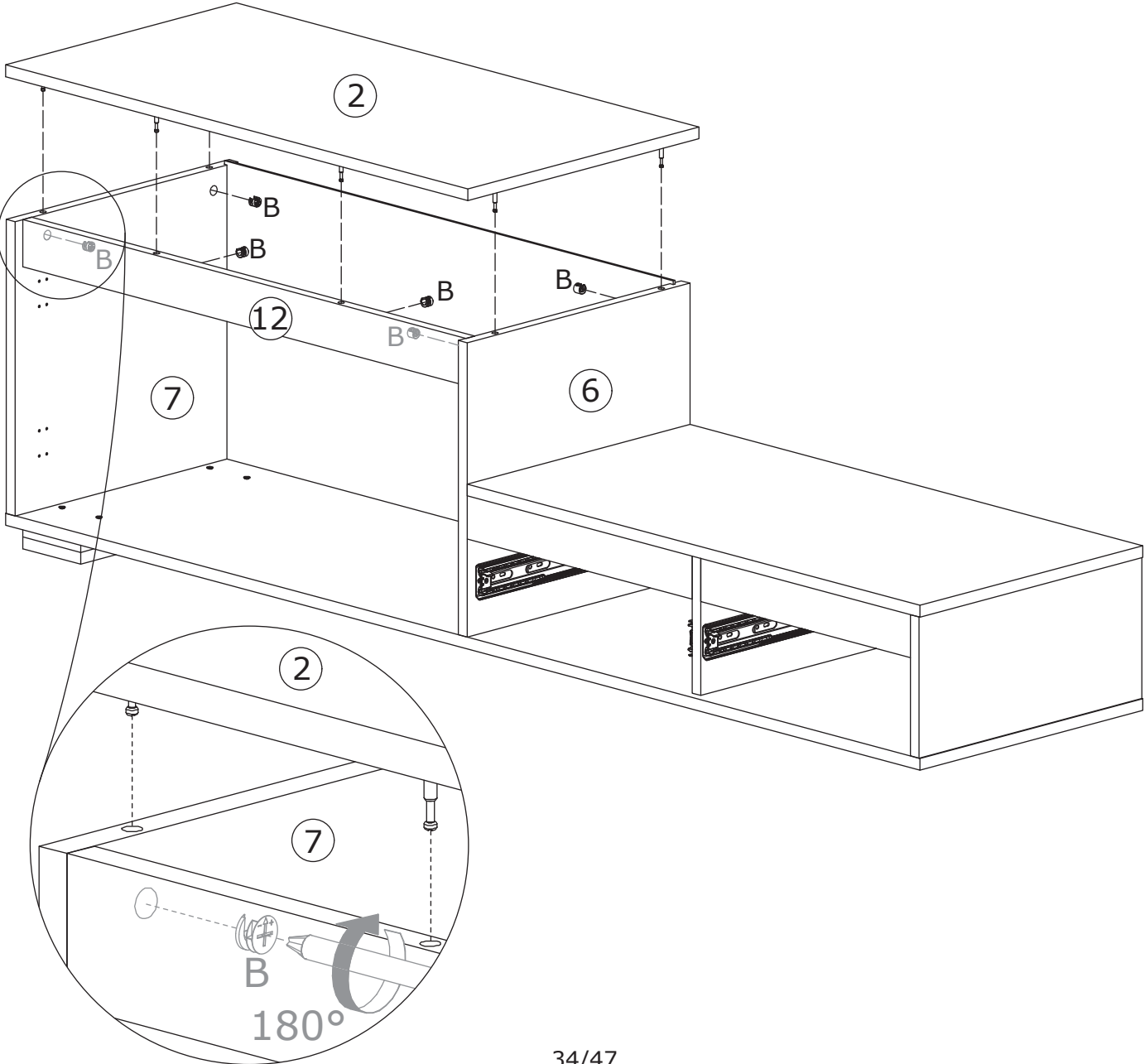
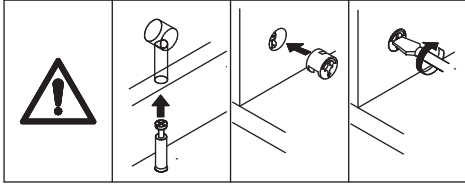
Attach panel 3 to the right top, add cam lock(B) into and turn clockwise to tighten as shown.



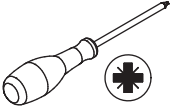
29



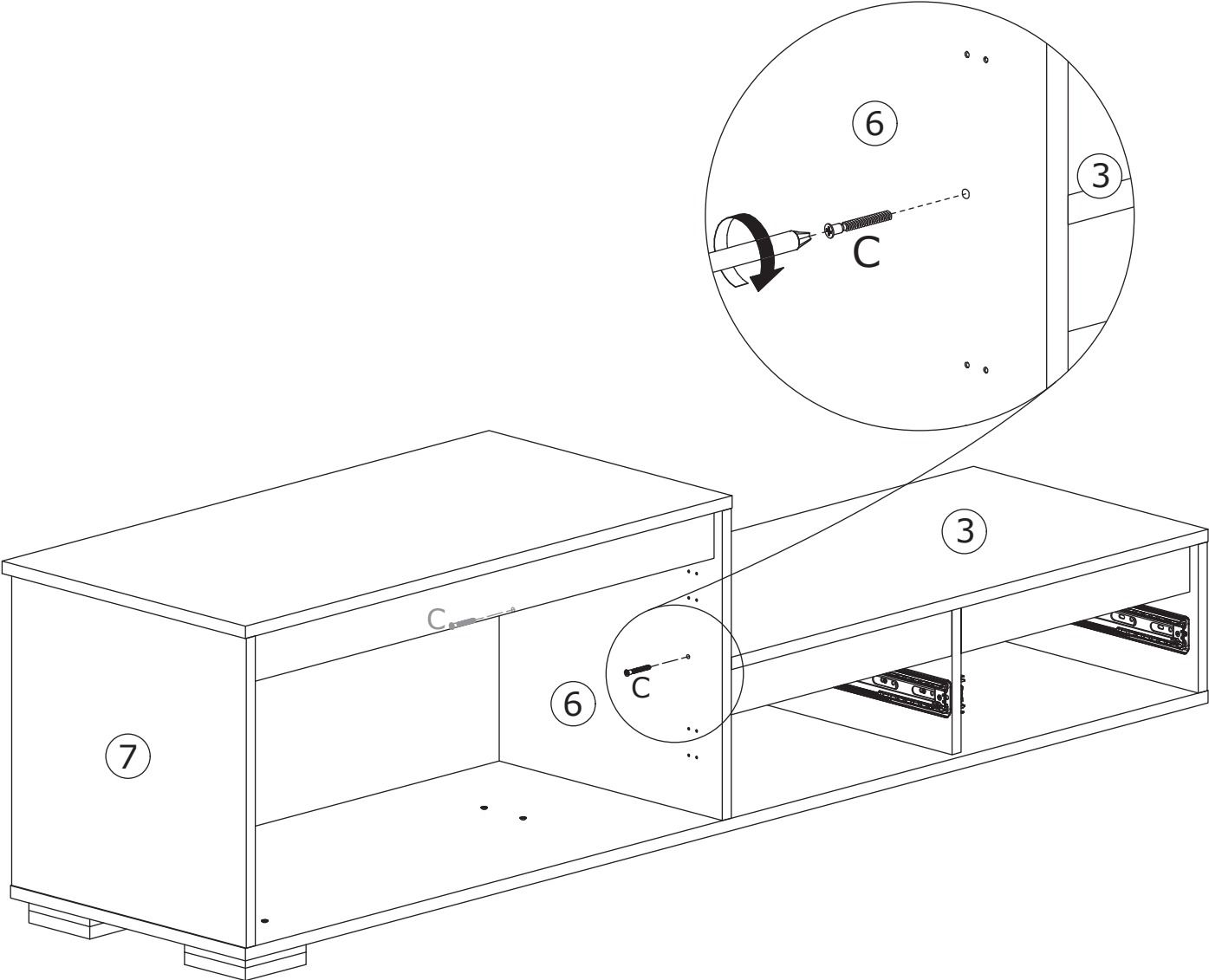
Attach panel 2 to the left top, add cam lock(B) into and turn clockwise to tighten as shown.



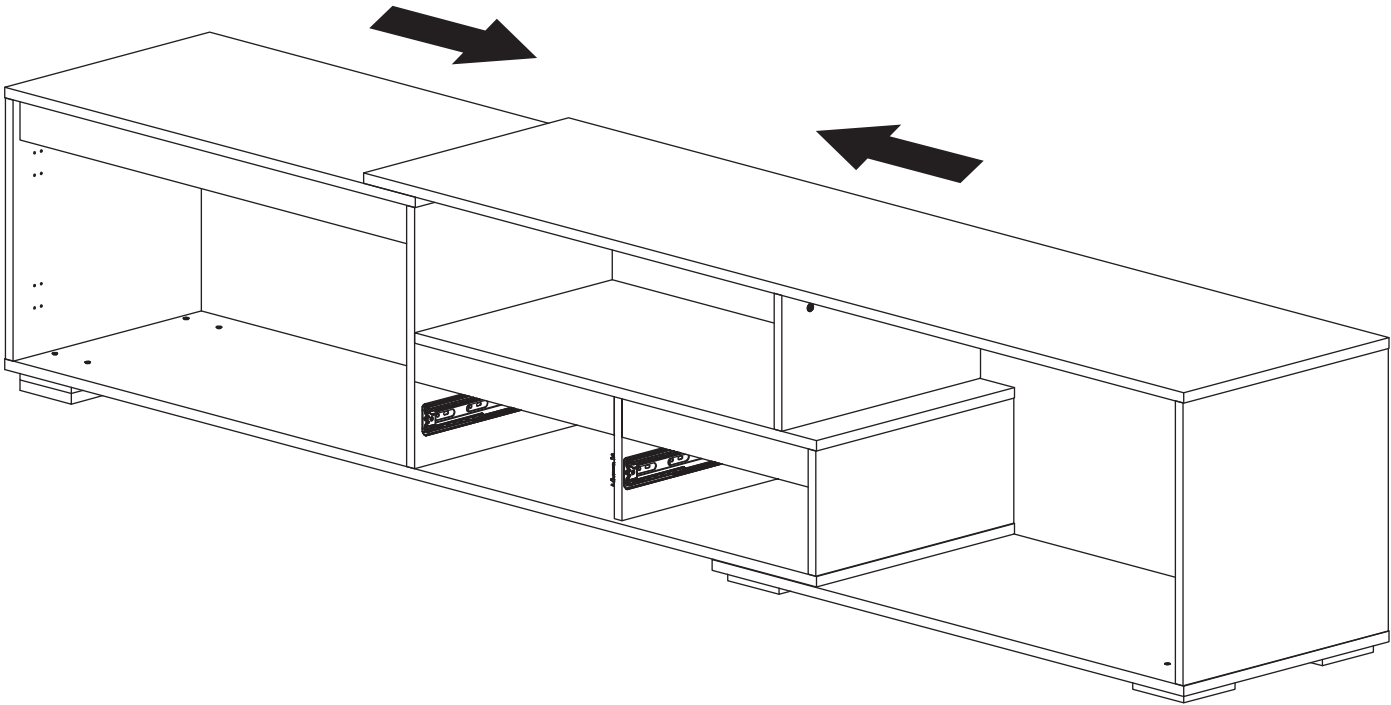
30



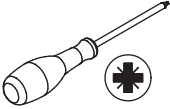
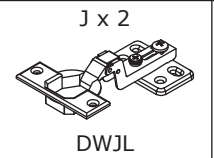
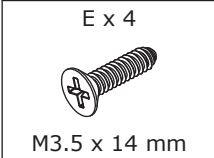
Fix panel 6 to panel 3 with screw(C) as shown.



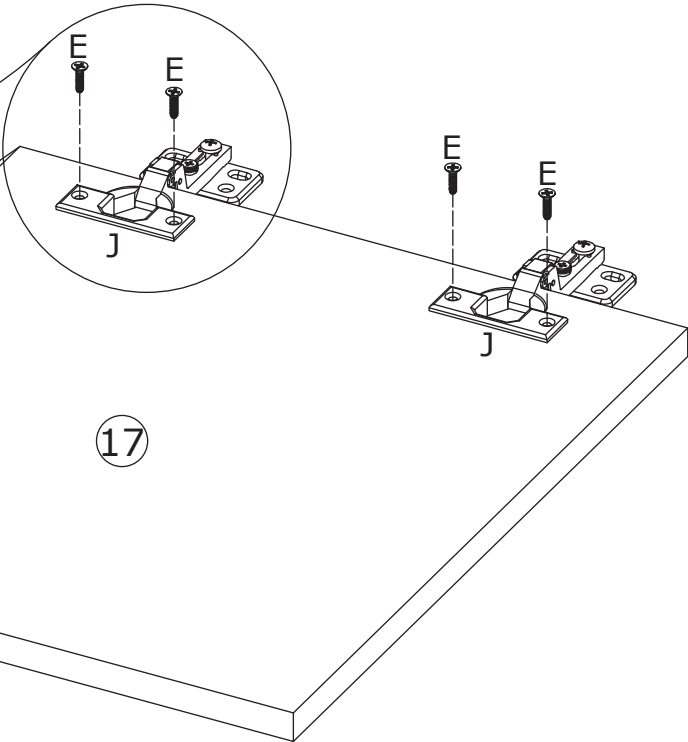
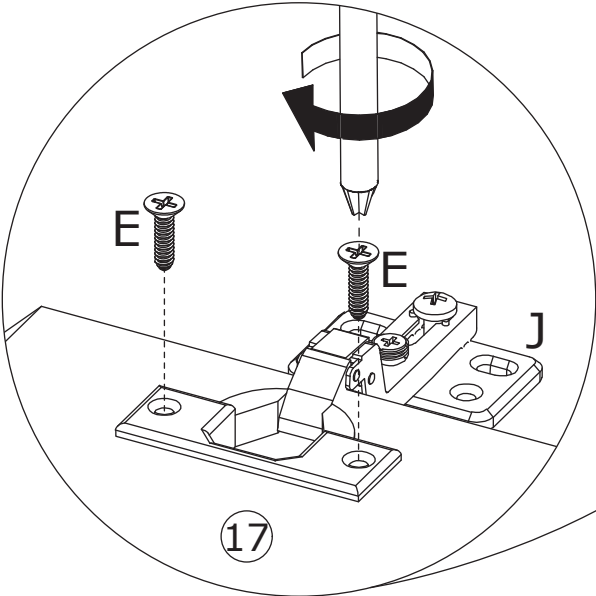
31



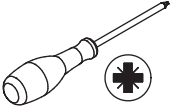
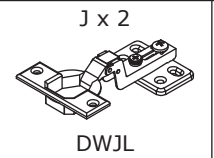
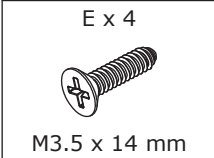
32



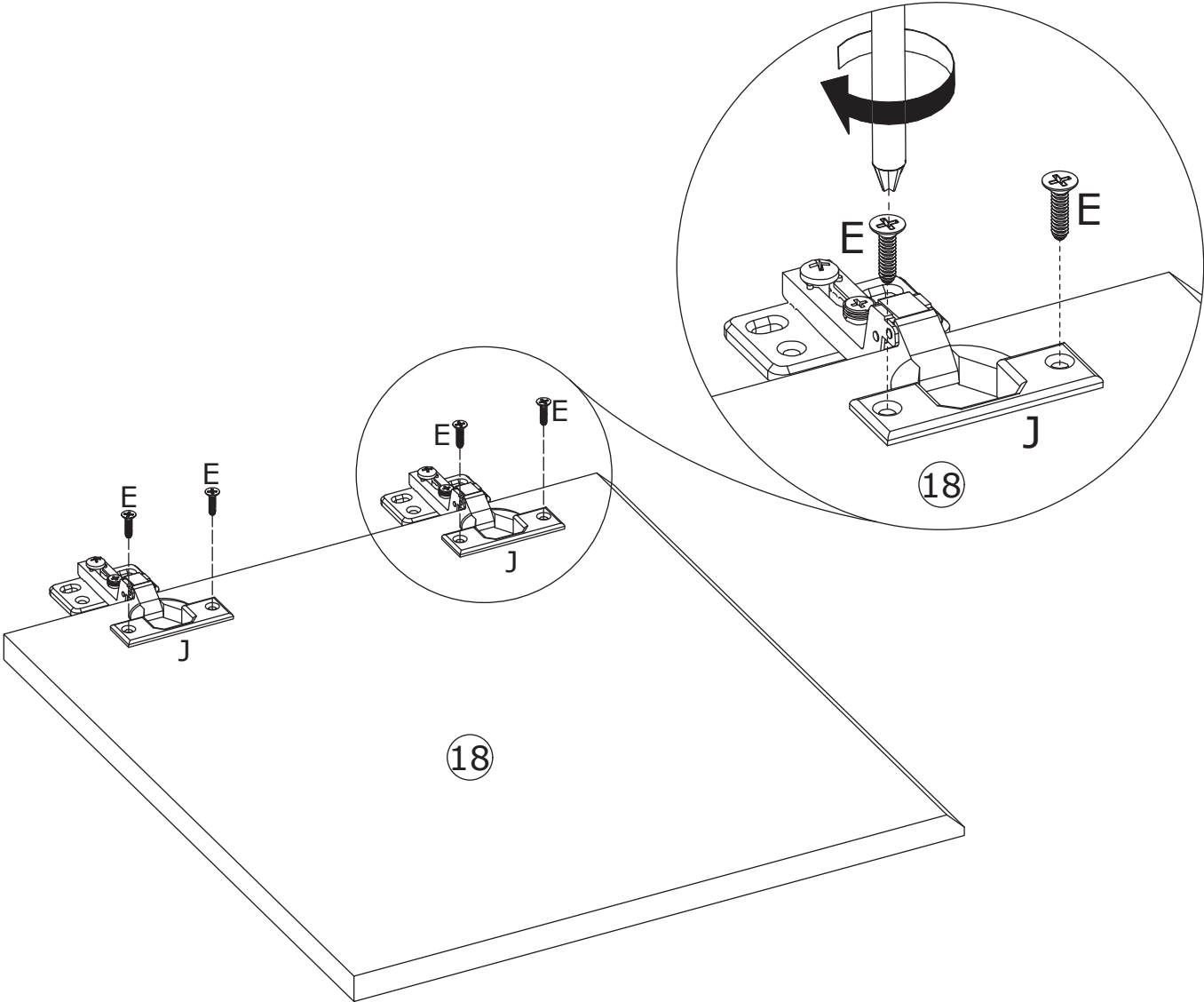
Fix hinge(J) to panel 17 with screw(E) as shown.



33

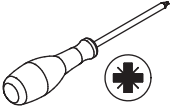


Fix hinge(J) to panel 18 with screw(E) as shown.

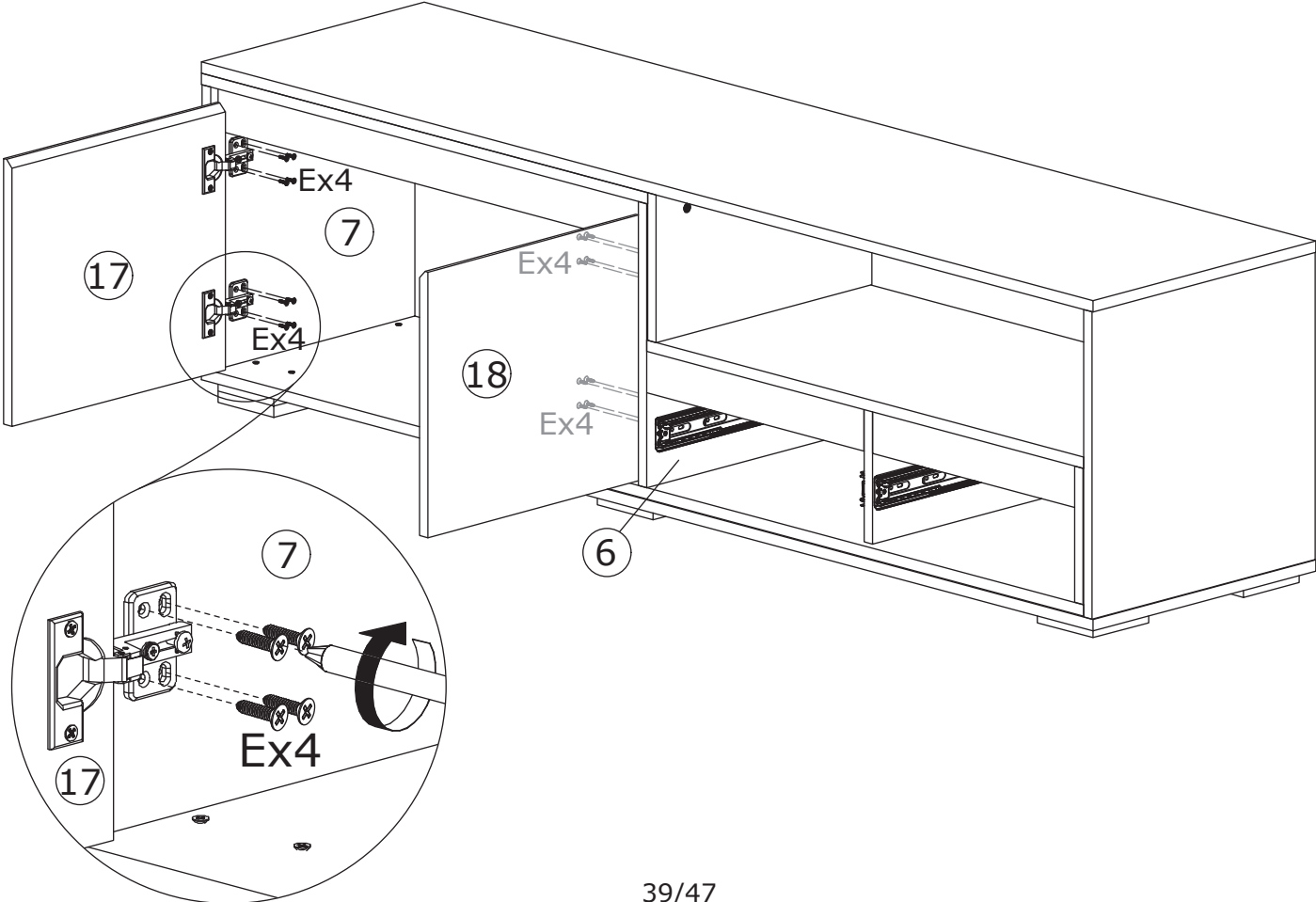


34

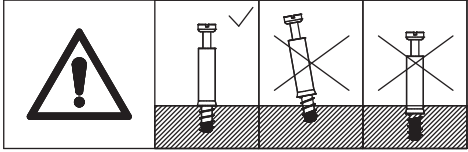
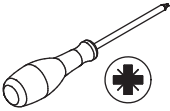
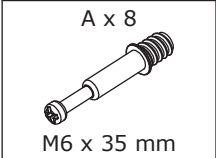
E x 16
M3.5 x 14 mm



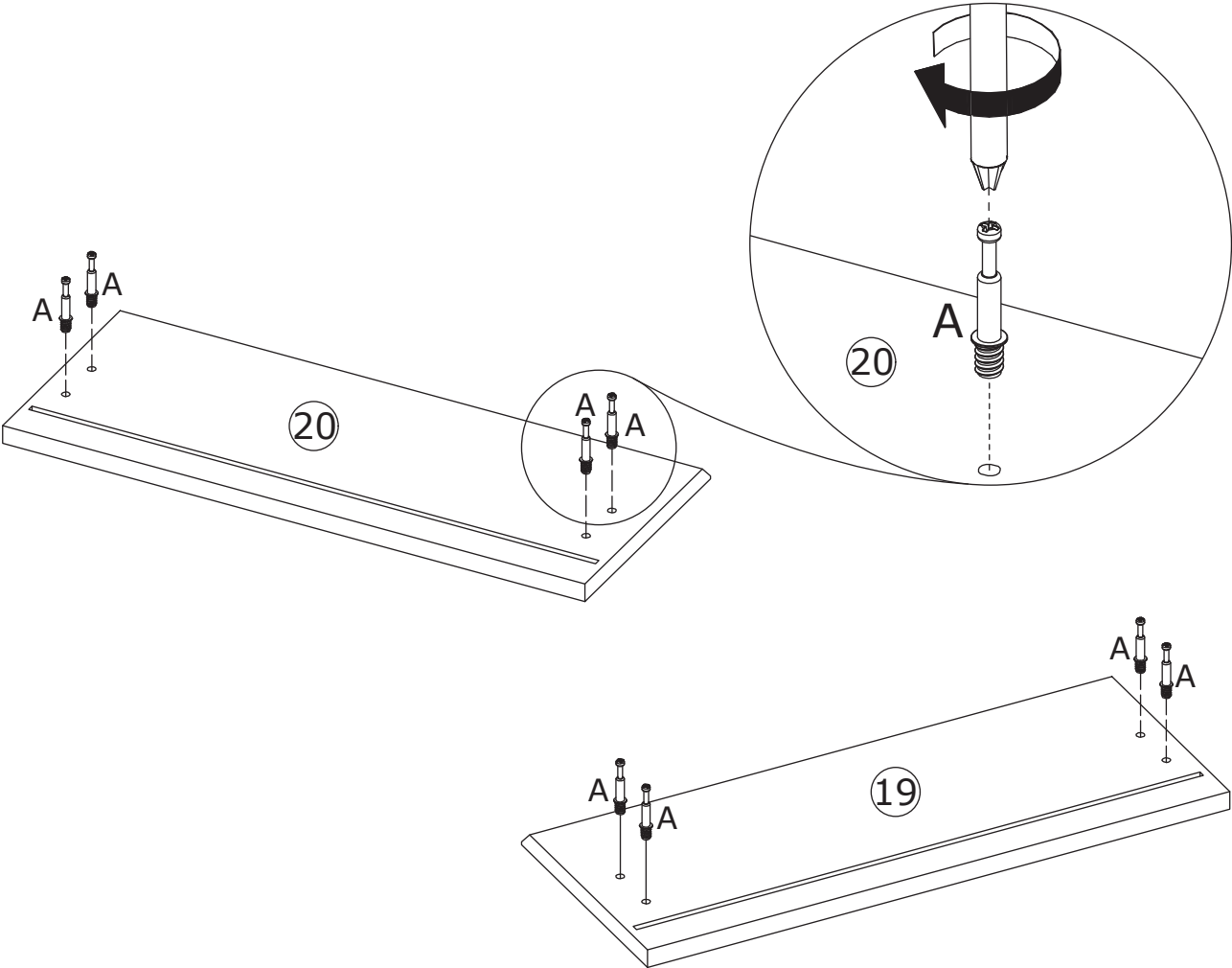
Assemble door panel 17 and 18 to panel 7 and 6 by fixing hinge with screw(E) as shown.



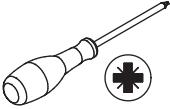
35



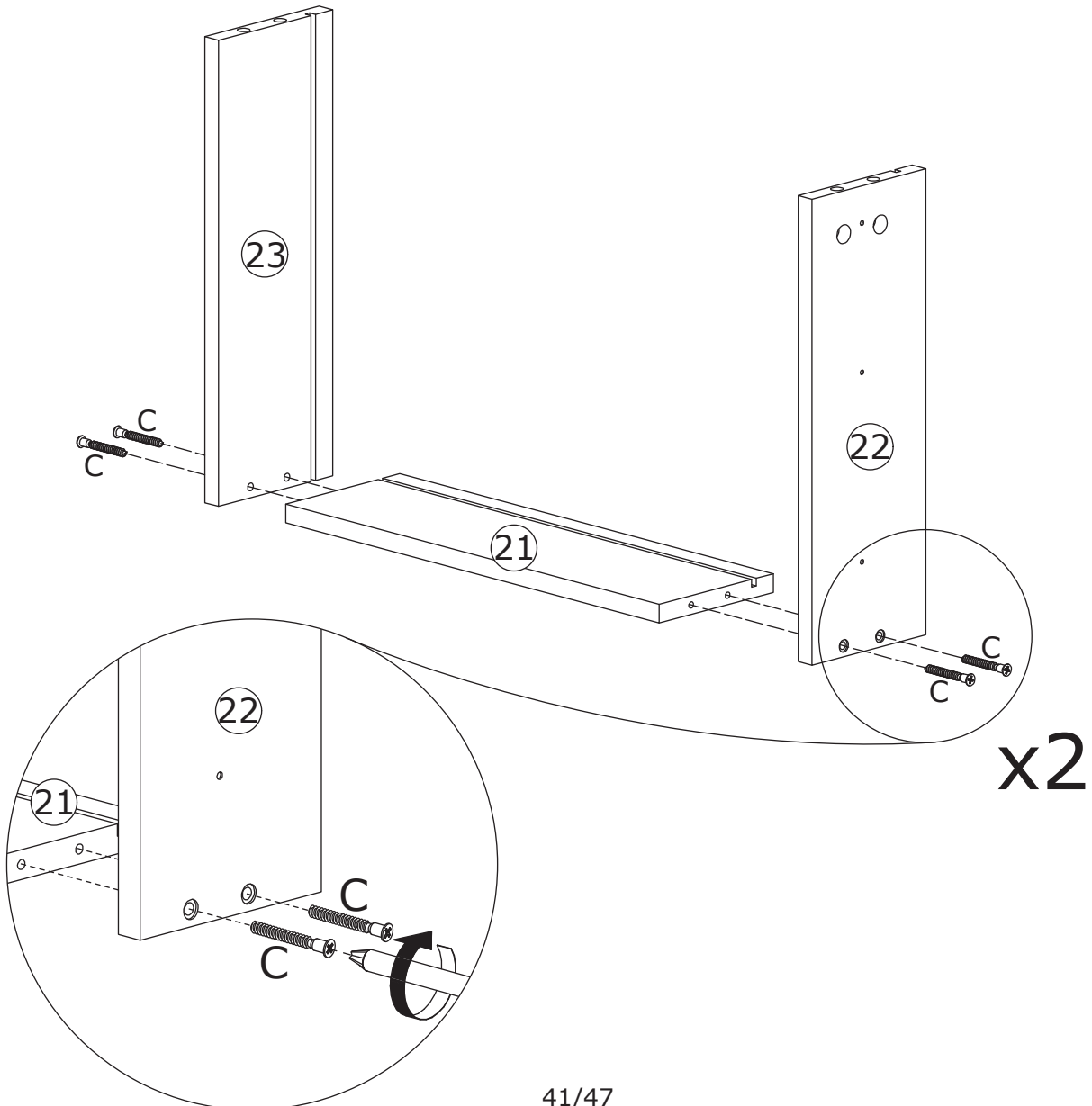
Screw eccentric rod(A) into panel 19 and 20 at first.



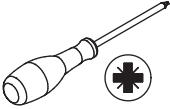
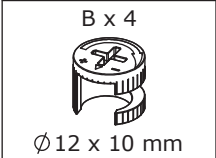
36



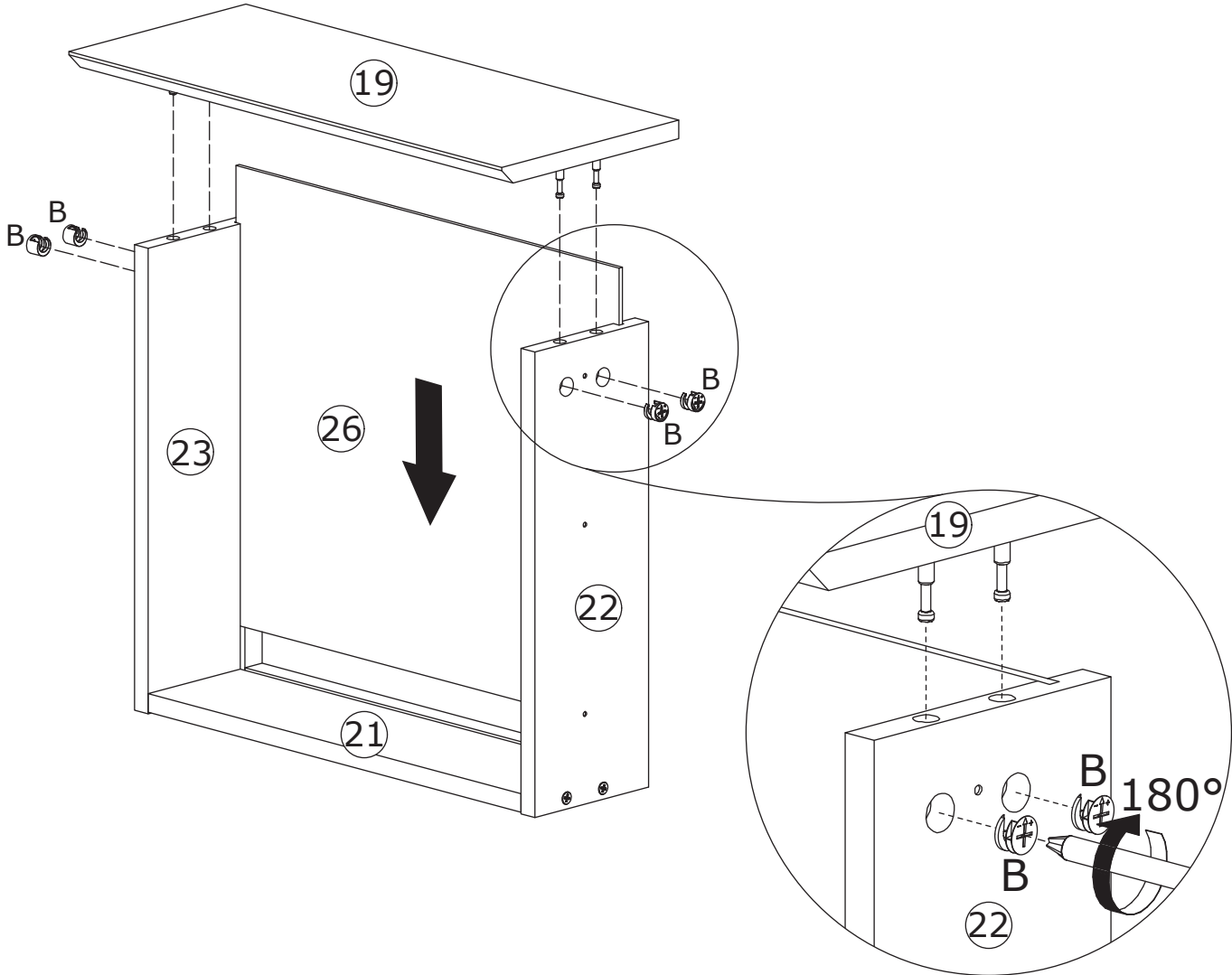
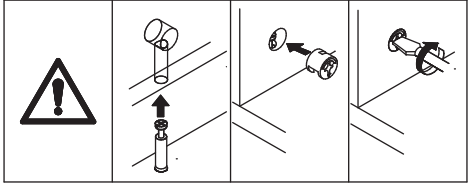
Fix panel 22 and 23 to panel 21 with screw(C) as shown.



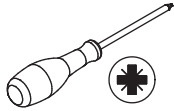
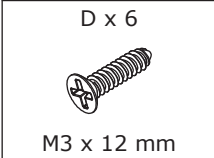
37



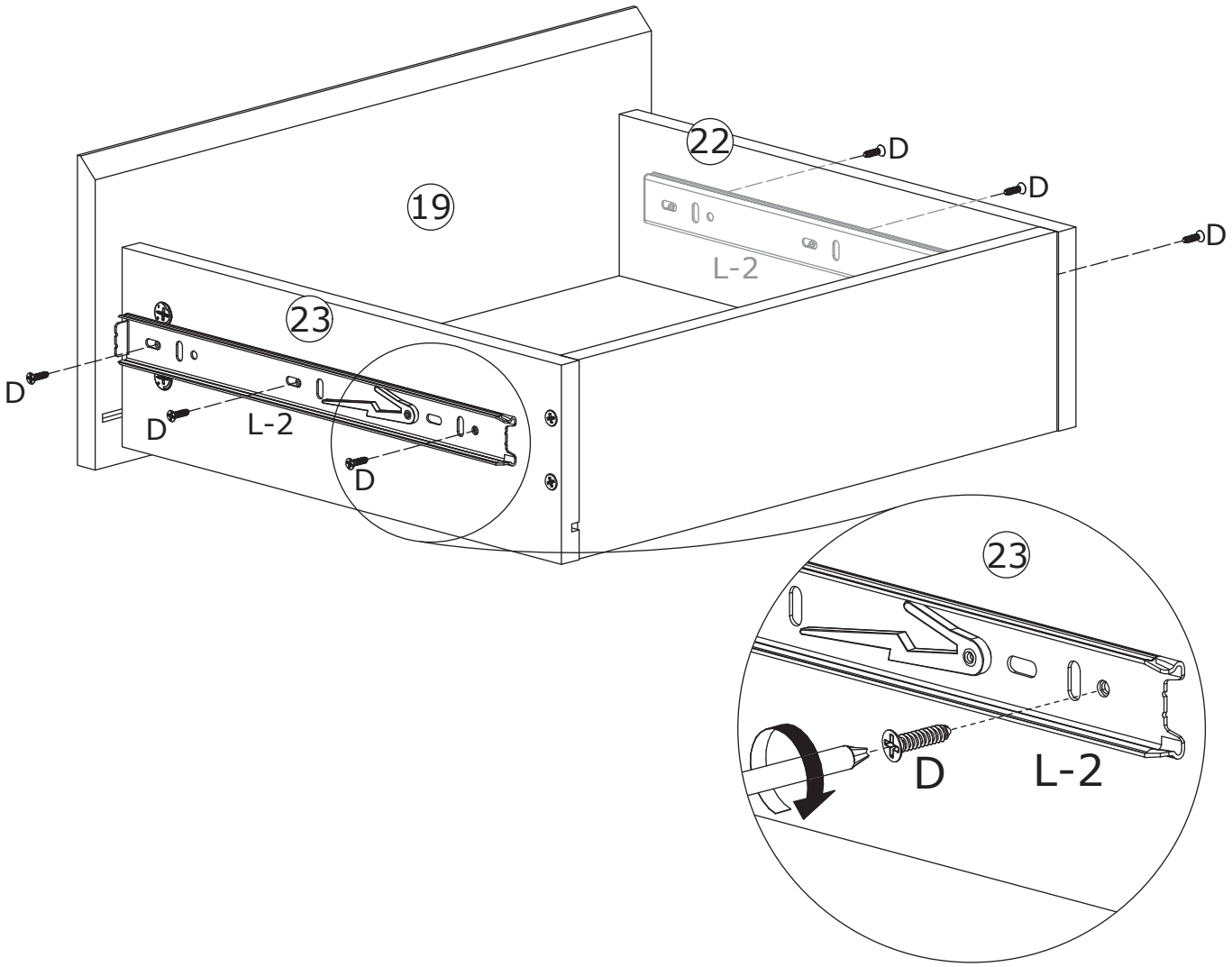
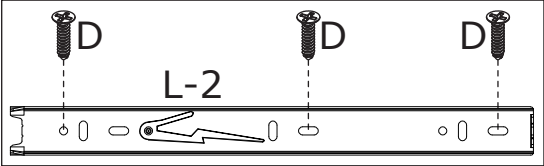
Insert panel 26 along available grooves. Attach panel 19 to panel 22 and 23, add cam lock(B) into and turn clockwise to tighten as shown.



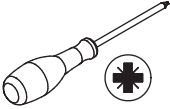
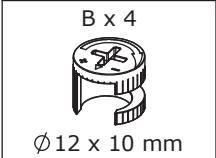
38



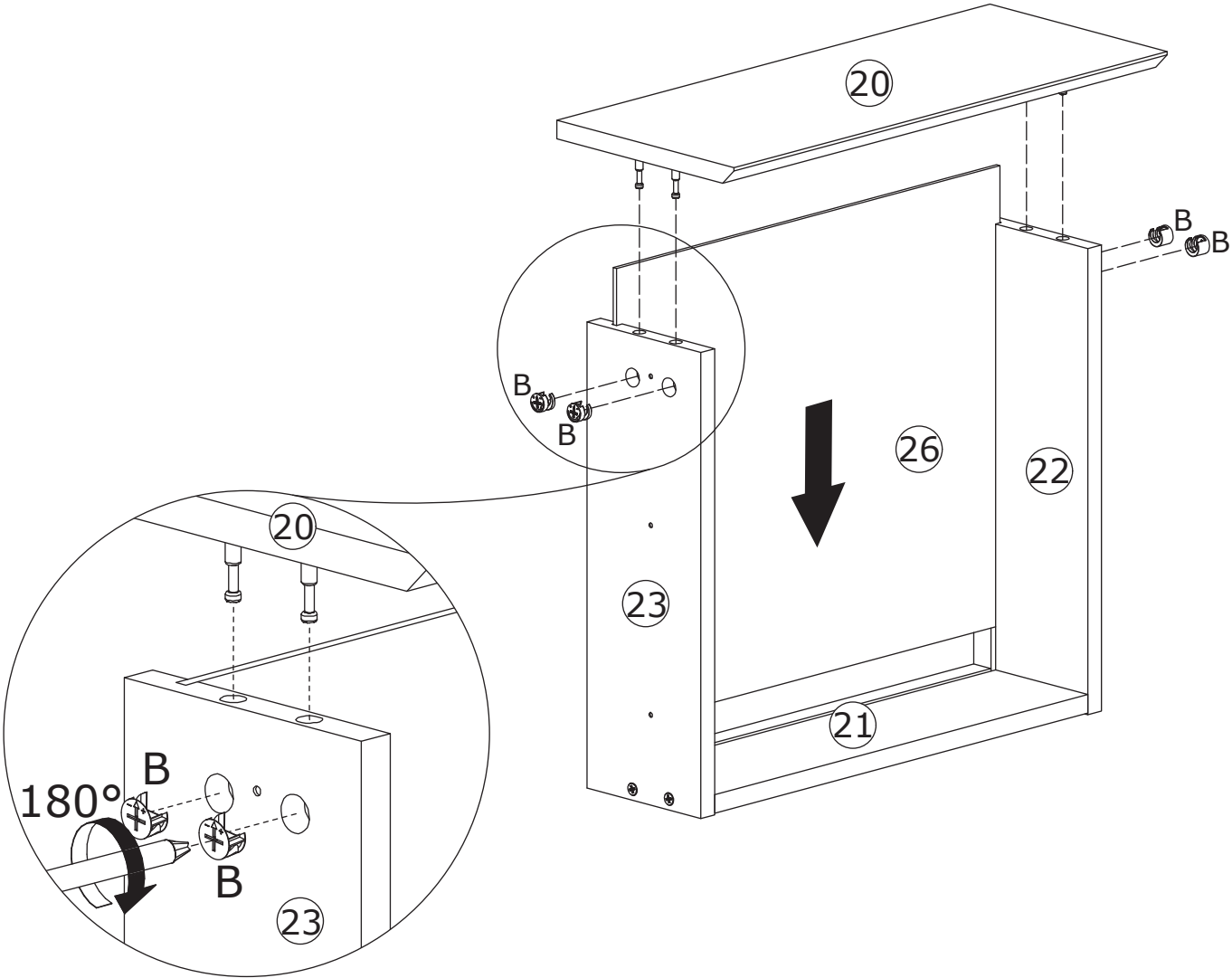
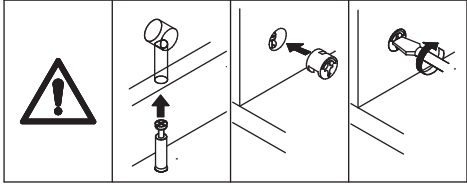
Fix track(L-2) to panel 22 and 23 with screw(D) as shown.



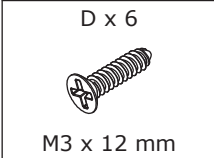
39



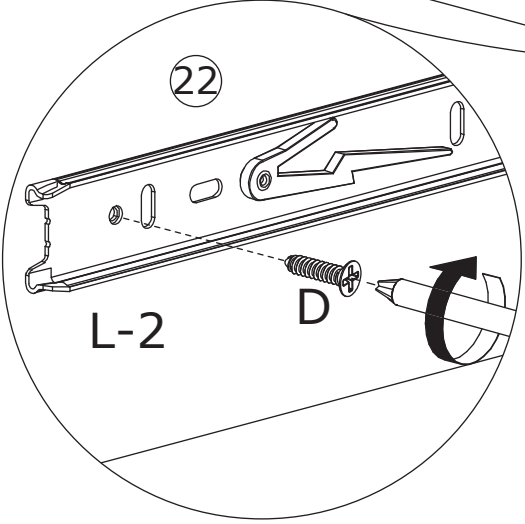
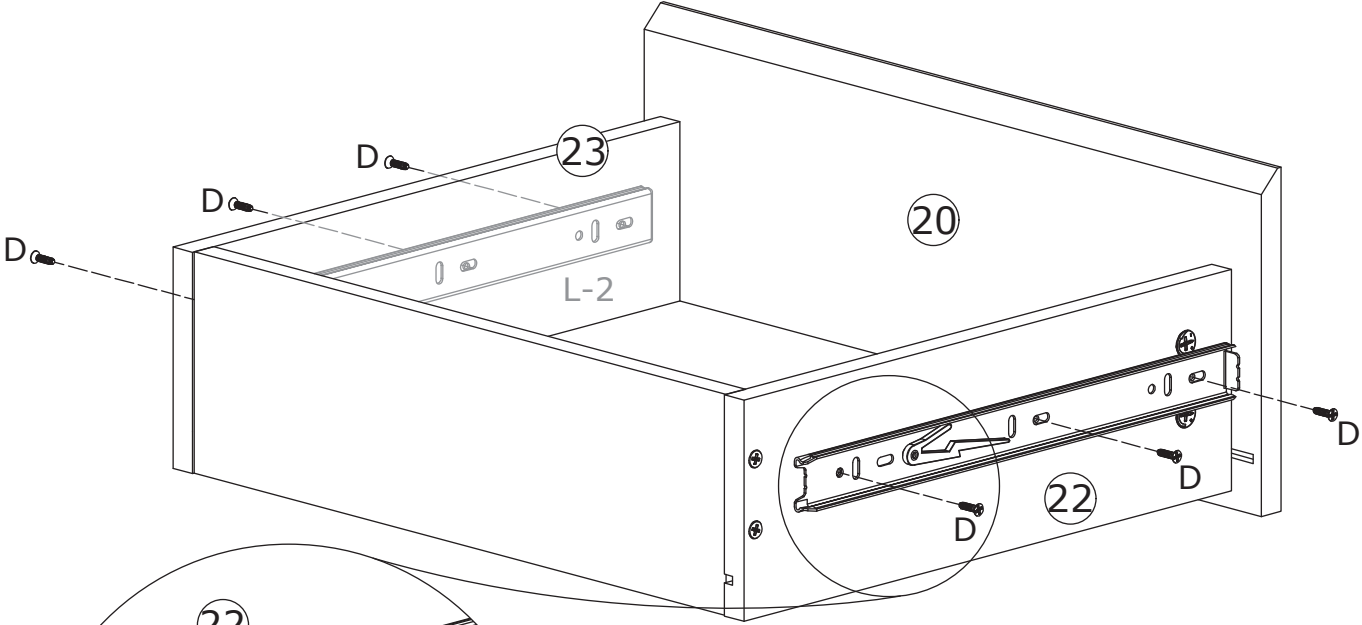
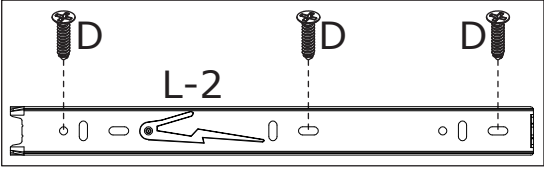
Insert panel 26 along available grooves. Attach panel 20 to panel 22 and 23, add cam lock(B) into and turn clockwise to tighten as shown.



40

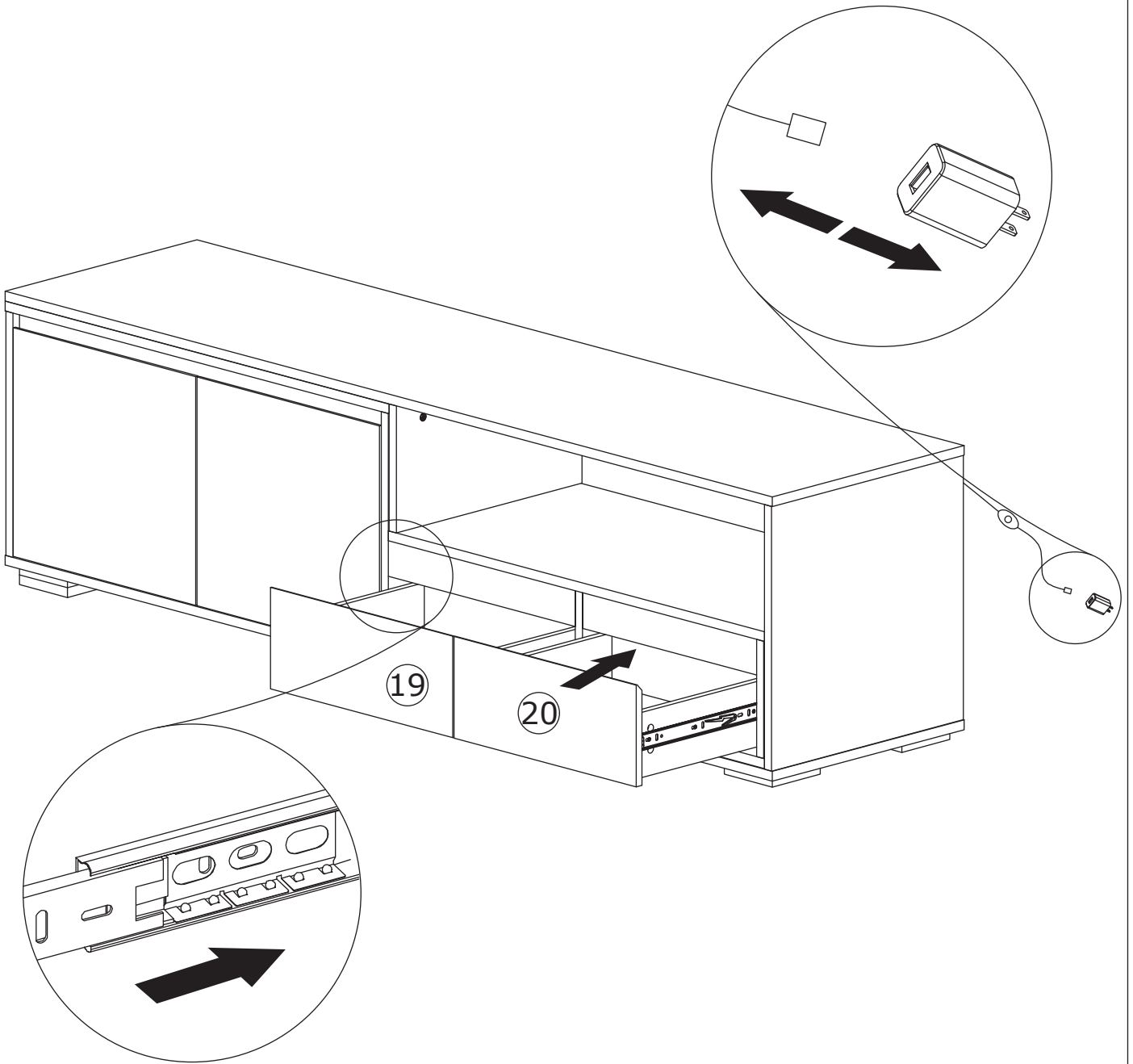
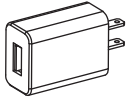


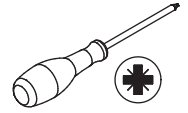
Fix track(L-2) to panel 22 and 23 with screw(D) as shown.



41

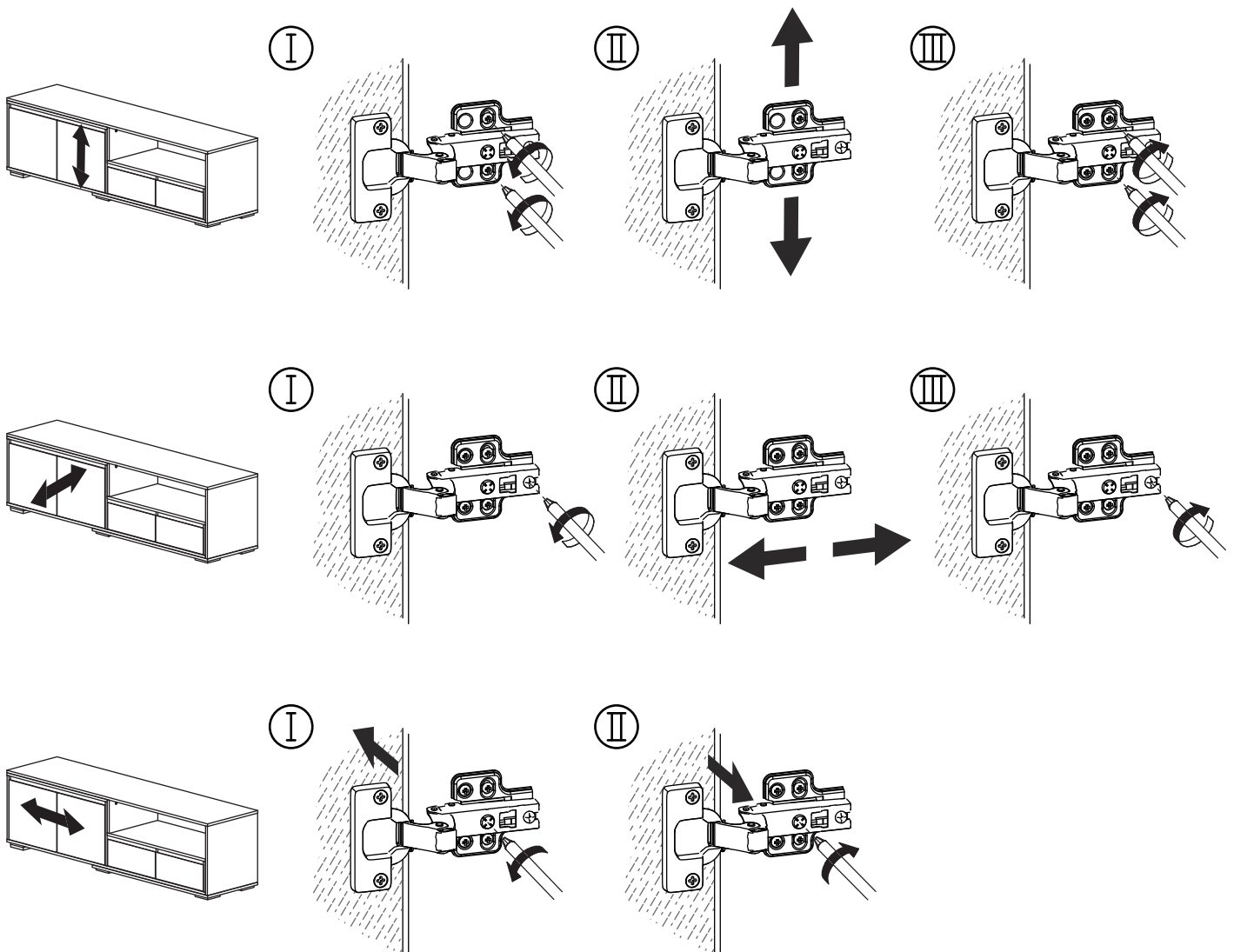
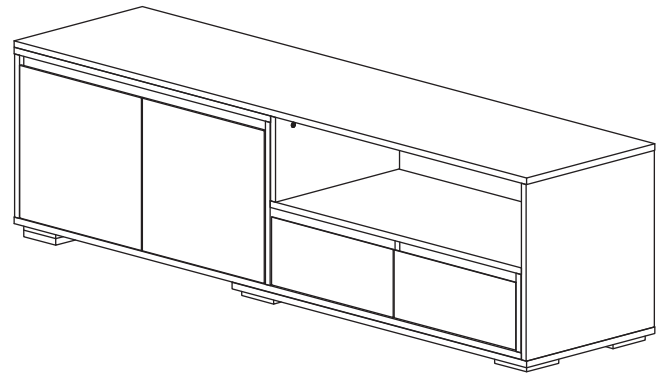
x 1





If doors are still not aligned if the hinges are properly correctly, please watch the video.

<https://youtu.be/n0Lb36SoODM>



WARRANTY

WARRANTY CLAIMS

- There is a 30-day warranty for broken furniture or any other problems that do not work properly. The warranty will start from the date of purchase which must be verified by proof of purchase.
- Before making a claim, we may be able to answer your query, simply call us. Please leave your purchase order number, along with some details of the problem, if you want a replacement part. We will arrange within 48 hours. If there is out of stock, we will reply with a shipping date.
- The product must be used in accordance with the instructions provided. For health reasons.
- For other reasons, if the furniture needs to be returned, it must be cleaned and dried and operated within 30 days of receipt.

Type of Warranty Claim

- Failure to follow the furniture instructions will invalidate the warranty. Attention please.
- Does not include damage during installation, but includes damage during transportation.

Scope of responsibility

- Shall not bear any responsibility for misuse or user damage and / or loss of parts during the installation of furniture.
- After using, the damage and scratches of the furniture are not covered by the warranty.

The Warranty Relates to All Bought in The Us and Covers The Following Areas

- Sheet parts: 1 month from the date of purchase.
- Electrical parts: 1 month from the date of purchase.

RETURNS

CHANGED YOUR MIND AND NEED TO RETURN YOU ITEM?

PLEASE FOLLOW THE BELOW INSTRUCTIONS:

- If you have purchased and have simply changed your mind, follow the retailer's instructions for returns.

DEFECTIVE ITEMS

- If your item is defective in any way, i.e. it doesn't work but you can't identify why, in the first instance, please call us.

DAMAGED ITEMS

- If you receive an order with obvious shipping damage from the retailer, then we suggest the delivery is refused. If the delivery has been accepted and then shipping damage is found, please follow the specific instructions advised by the retailer.
In all circumstances please save all packaging material and paperwork for the order. Please be aware that if you dispose of packaging material or attempt to return the merchandise without contacting the fulfiller, you jeopardise your chances of making a claim, and you may not receive a credit for the return.

AFTER-SALES CONTACT



adelahu@fufugaga.com



208-820-0068