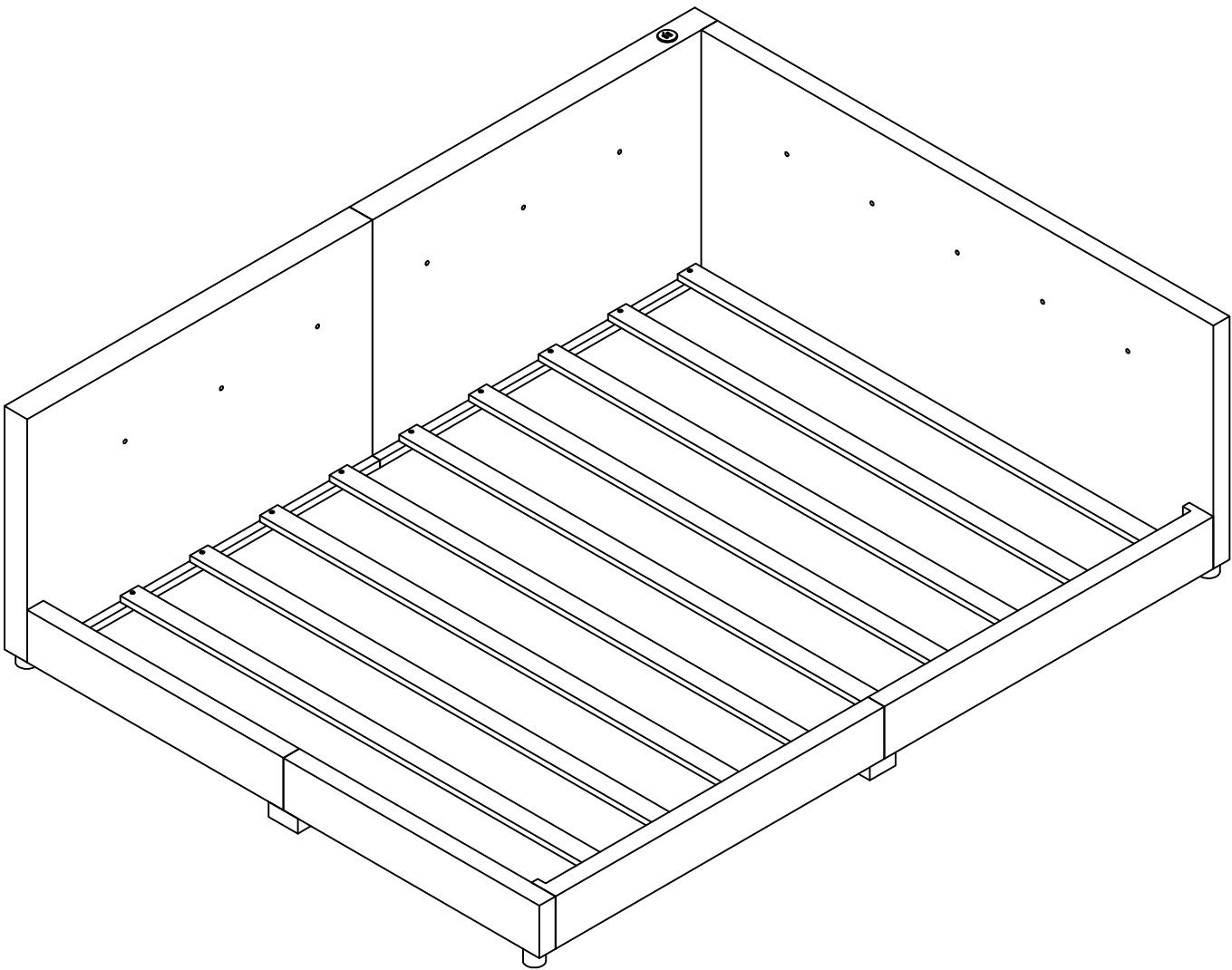


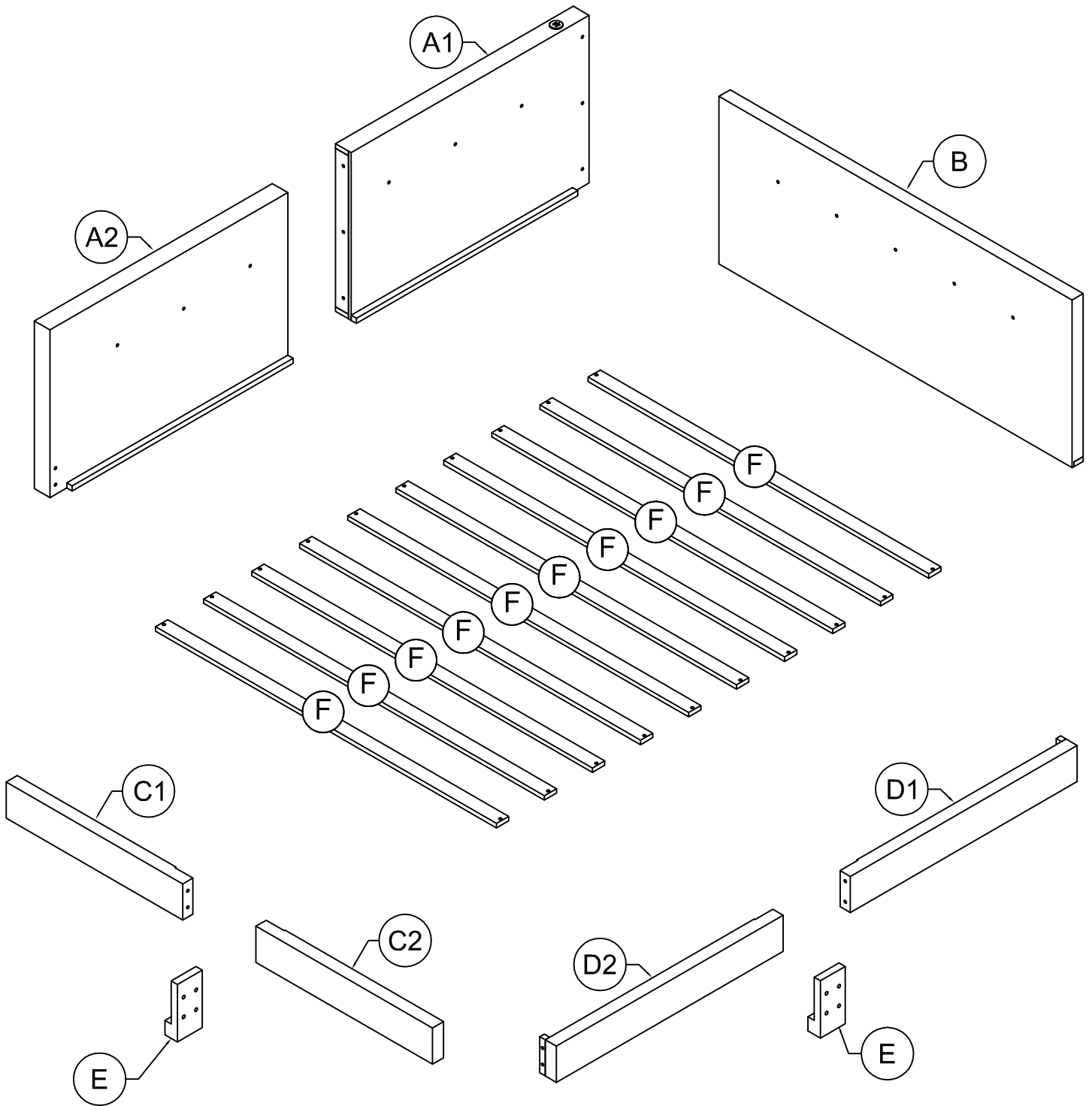
# ASSEMBLY INSTRUCTION

SKU CODE: (WF311176/WF311177)

If you have any questions, please feel free to contact us.  
Email: [lowes.team@qualfurn.net](mailto:lowes.team@qualfurn.net)

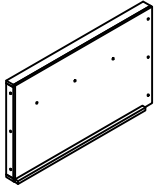


# ASSEMBLY INSTRUCTION



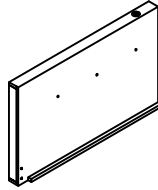
# Part List (WF311176)

A1



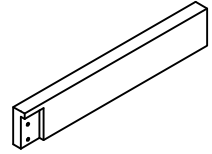
Side Rails - 1pc

A2



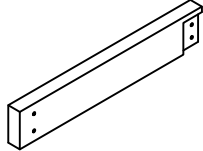
Side Rails - 1pc

C1



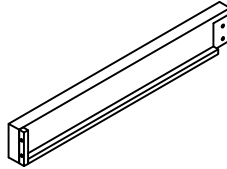
FB Frames - 1pcs

C2



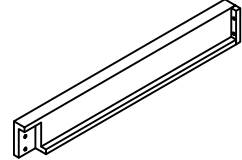
FB Frames - 1pc

D1



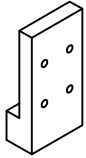
Side Rails - 1pc

D2



Side Rails - 1pc

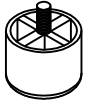
E



Legs Side Rails - 2pcs

# Hardware List (WF311176)

1



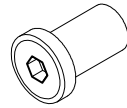
Plastic Feet(Ø50x40)  
7pcs

2



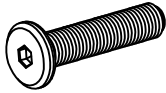
Allen Key 2pcs

3



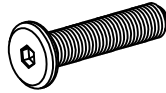
1/4" x 25mm  
Sleeve Nut 6pcs

4



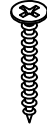
1/4" x 50mm  
Hex-Head bolts 6pcs

5



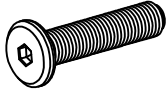
1/4" x 35mm  
Hex-Head bolts 11pcs

6

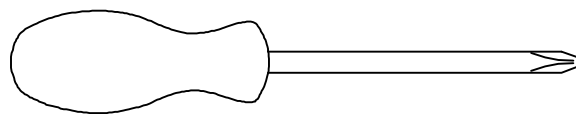


M4 x 30 mm  
Wood Screws 20pcs

7



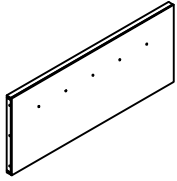
1/4" x 40mm  
Hex-Head bolts 3pcs



**Assembly Tools Required (Not Included)**

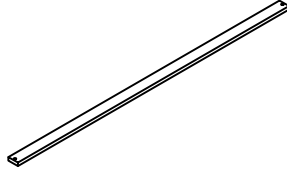
# Part List (WF311177)

B



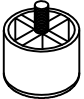
HB Frames - 1pc

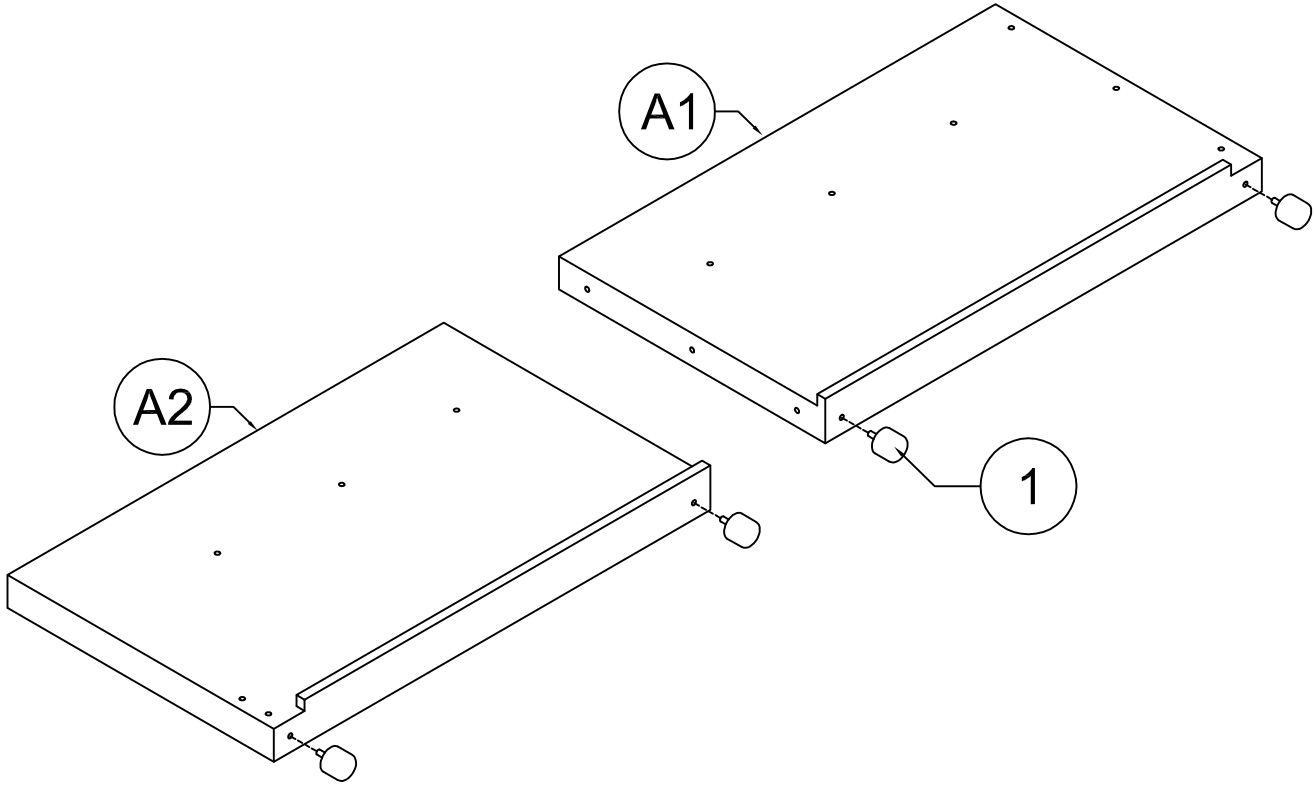
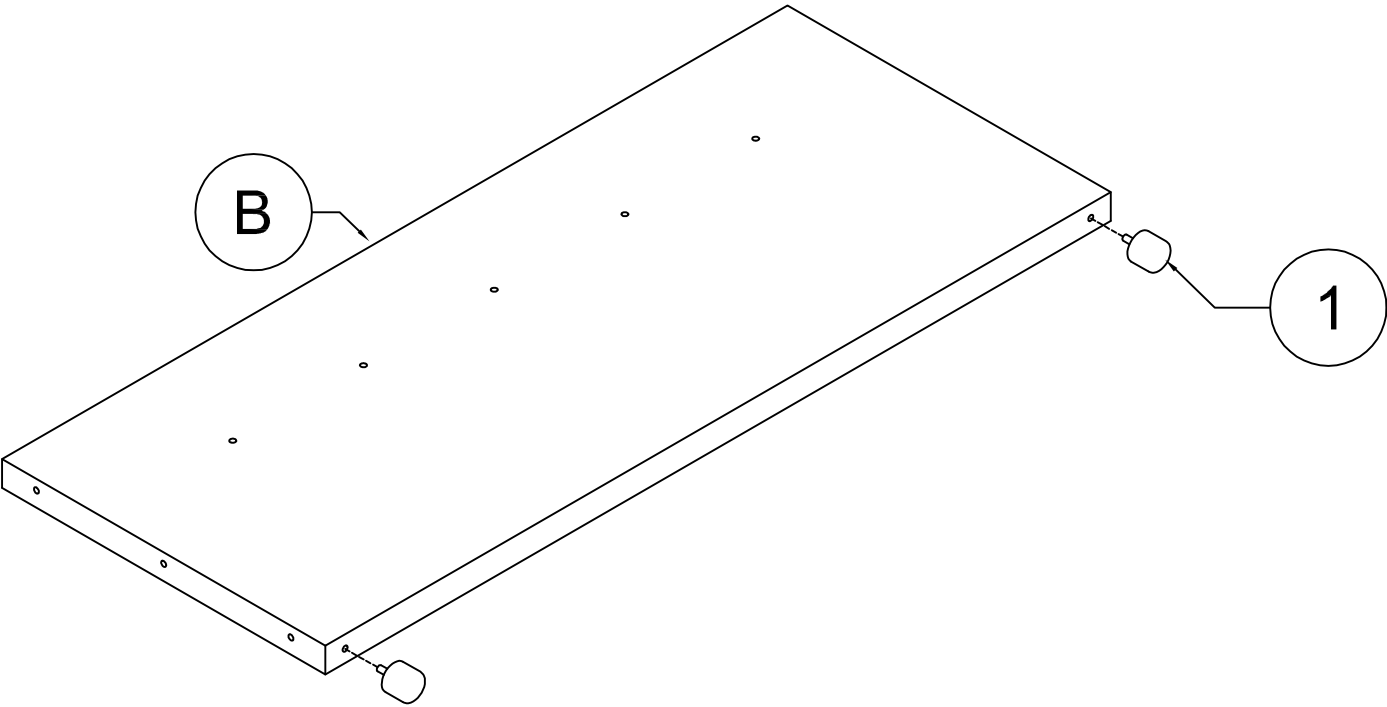
F



Slats - 10pcs

**STEP 1:** Following below illustration:

1	
6pcs	

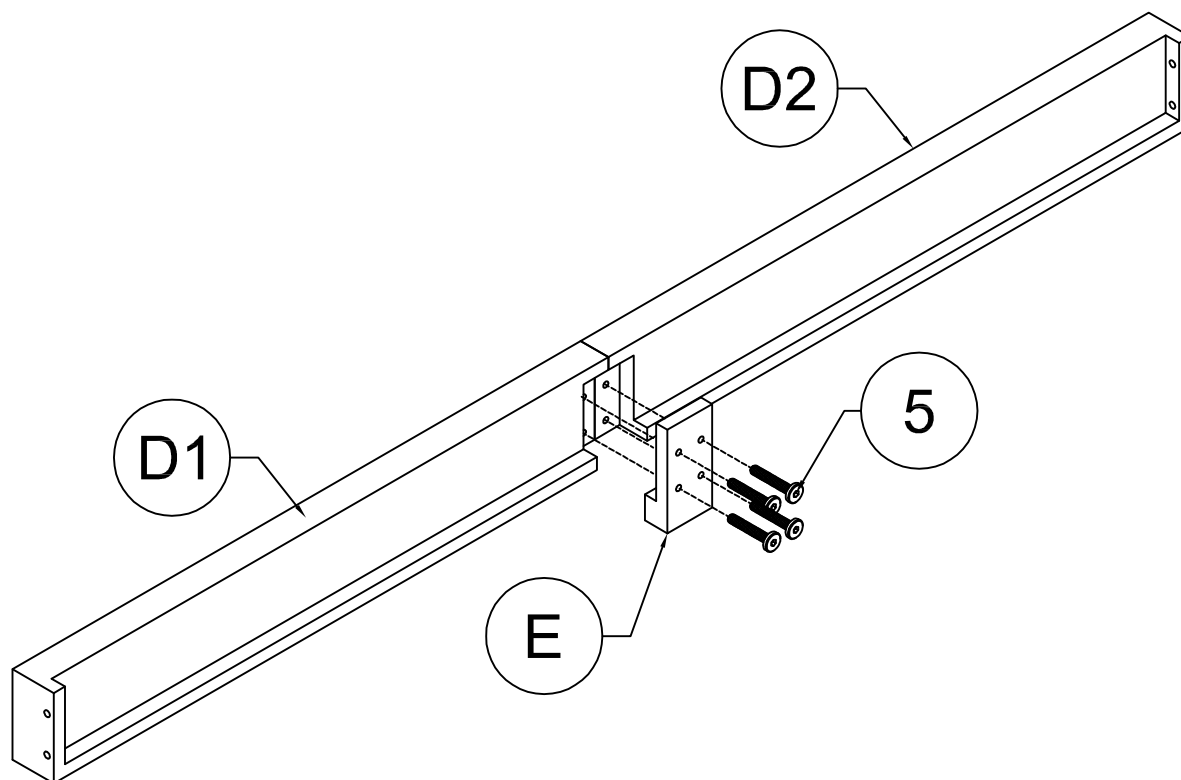


**STEP 2-1:** Following below illustration:

5

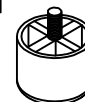


4pcs



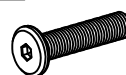
**STEP 2-2:** Following below illustration:

1

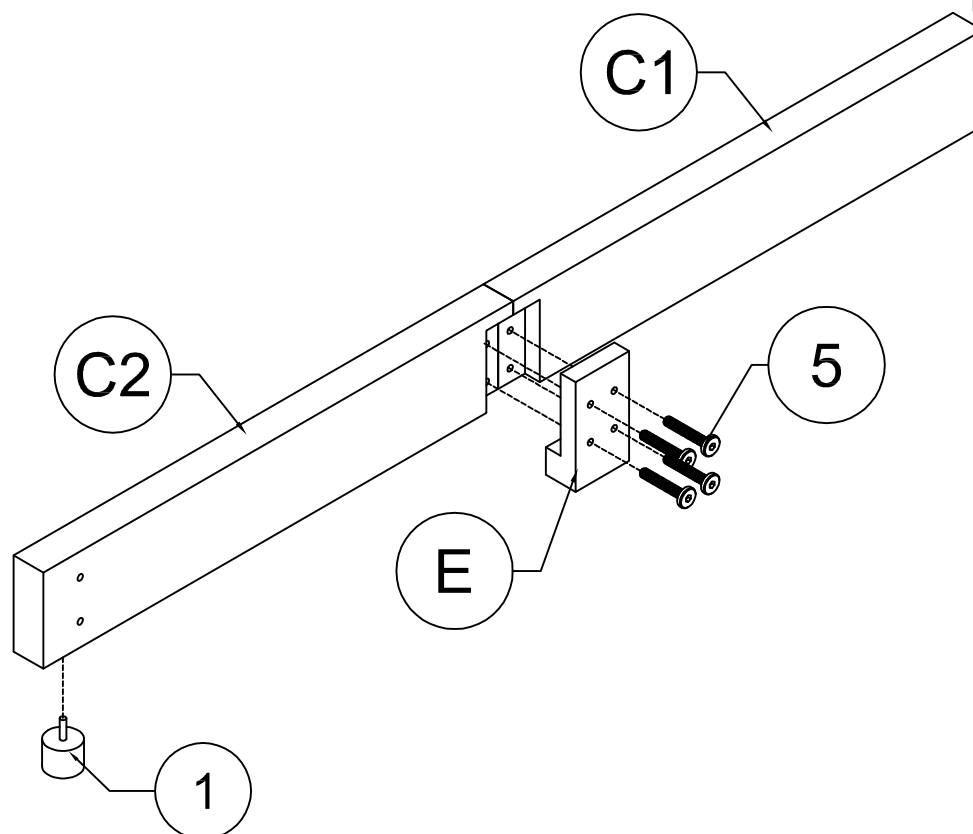


1pcs

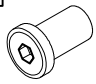

5

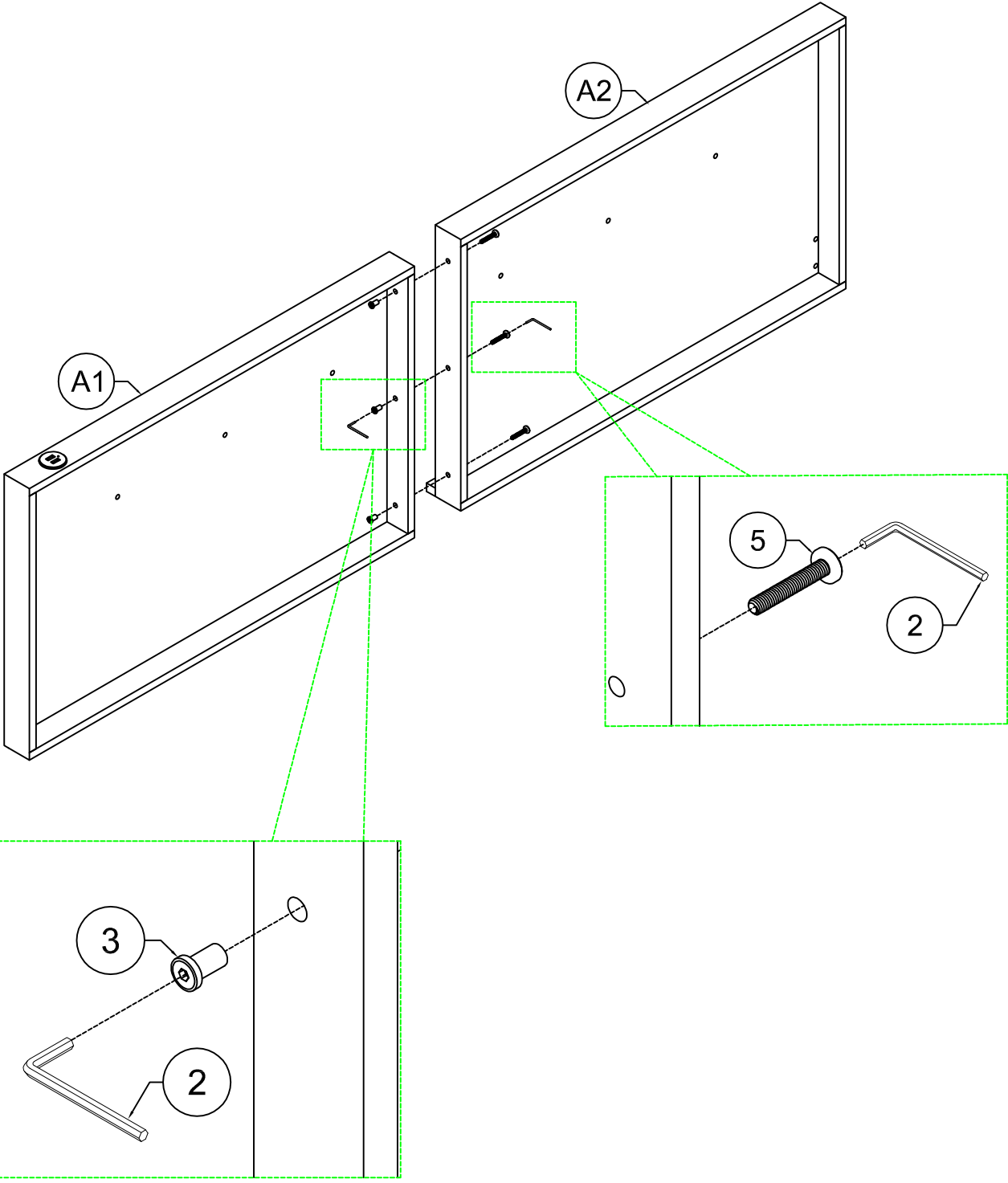


4pcs

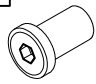




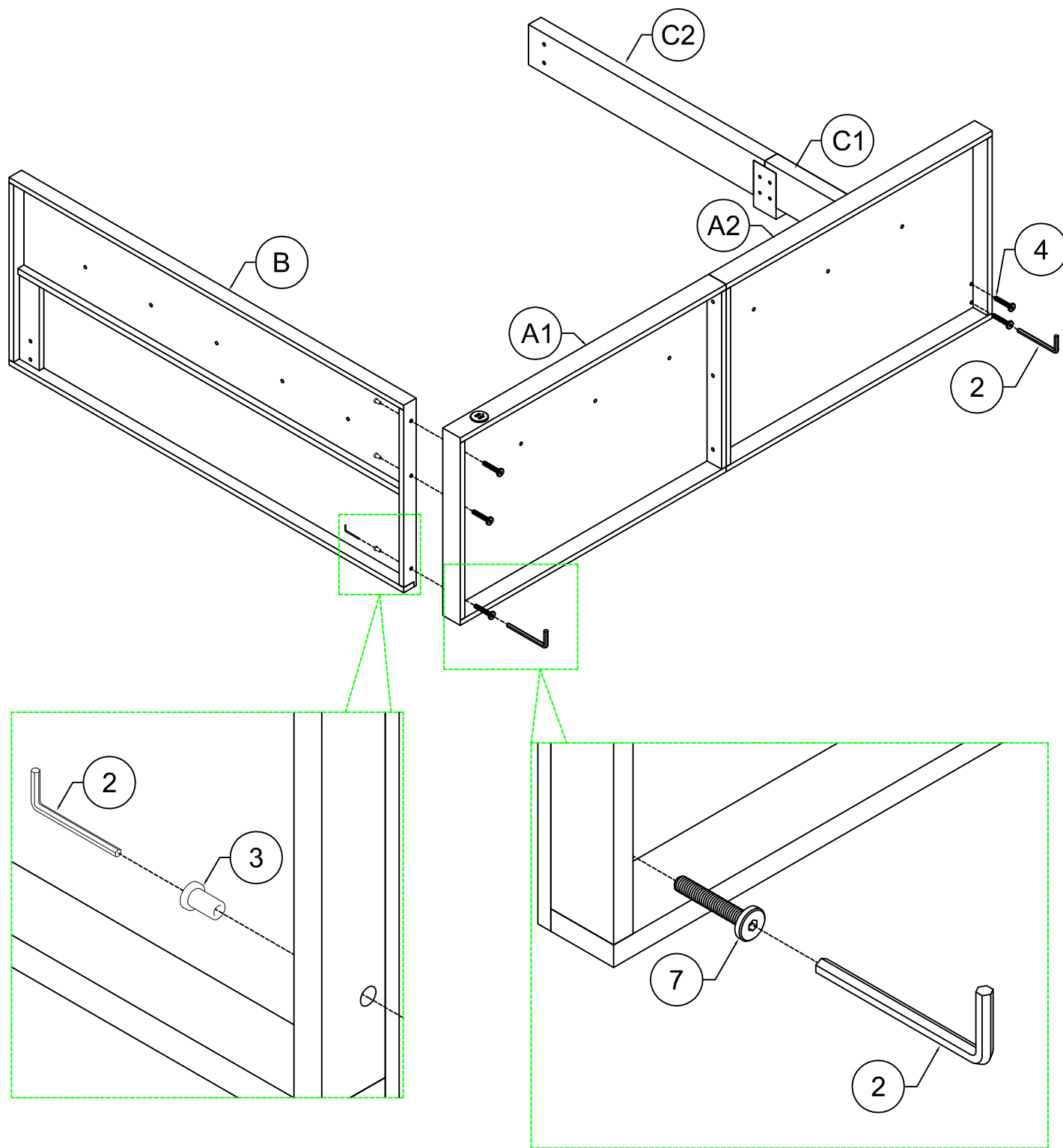
# STEP 2-3: Following below illustration:

3	5
	
3pcs	3pcs



# STEP 3: Following below illustration:

3	4	7
		
3pcs	2pcs	3pcs

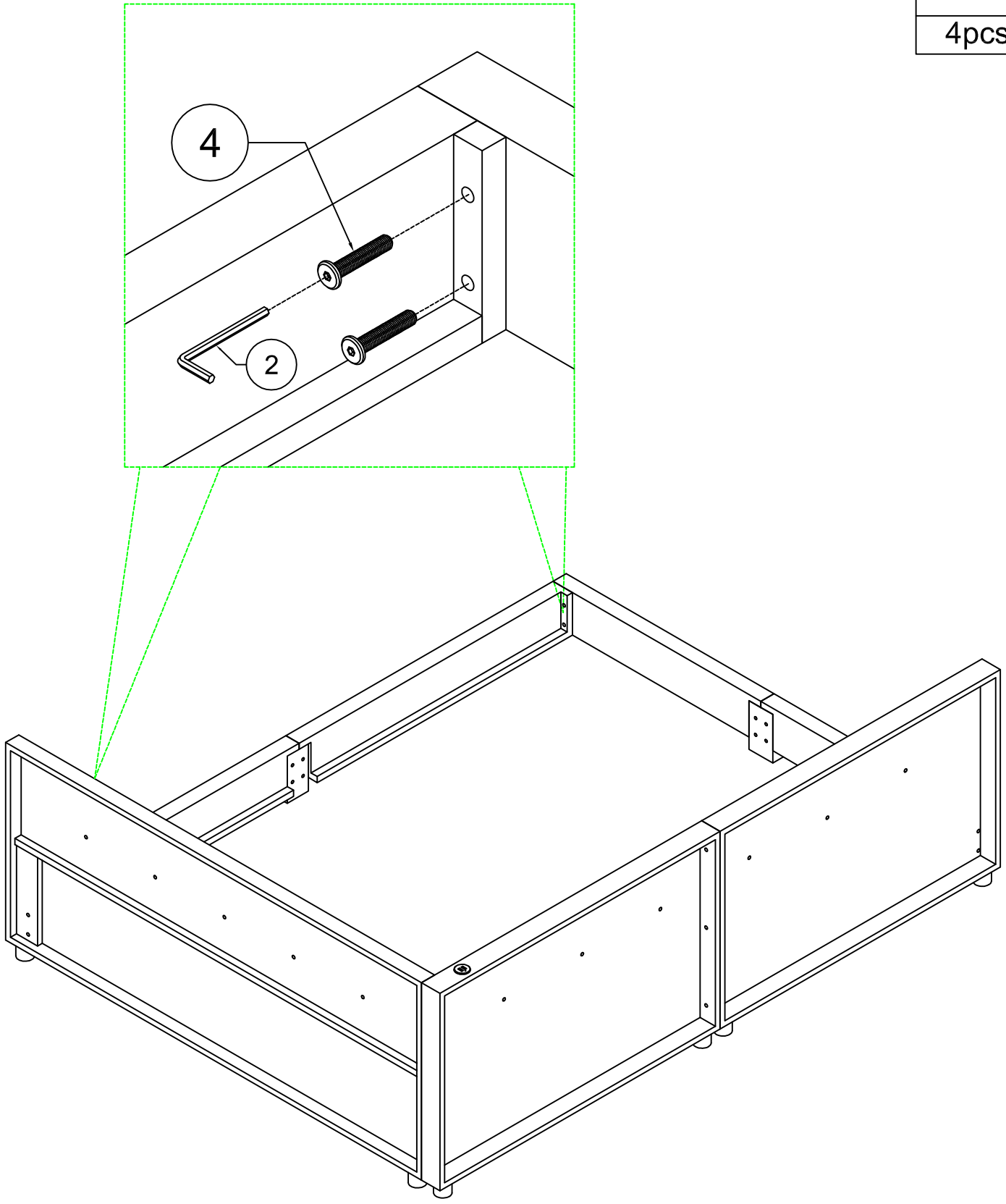


**STEP 4:** Following below illustration:

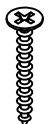
4

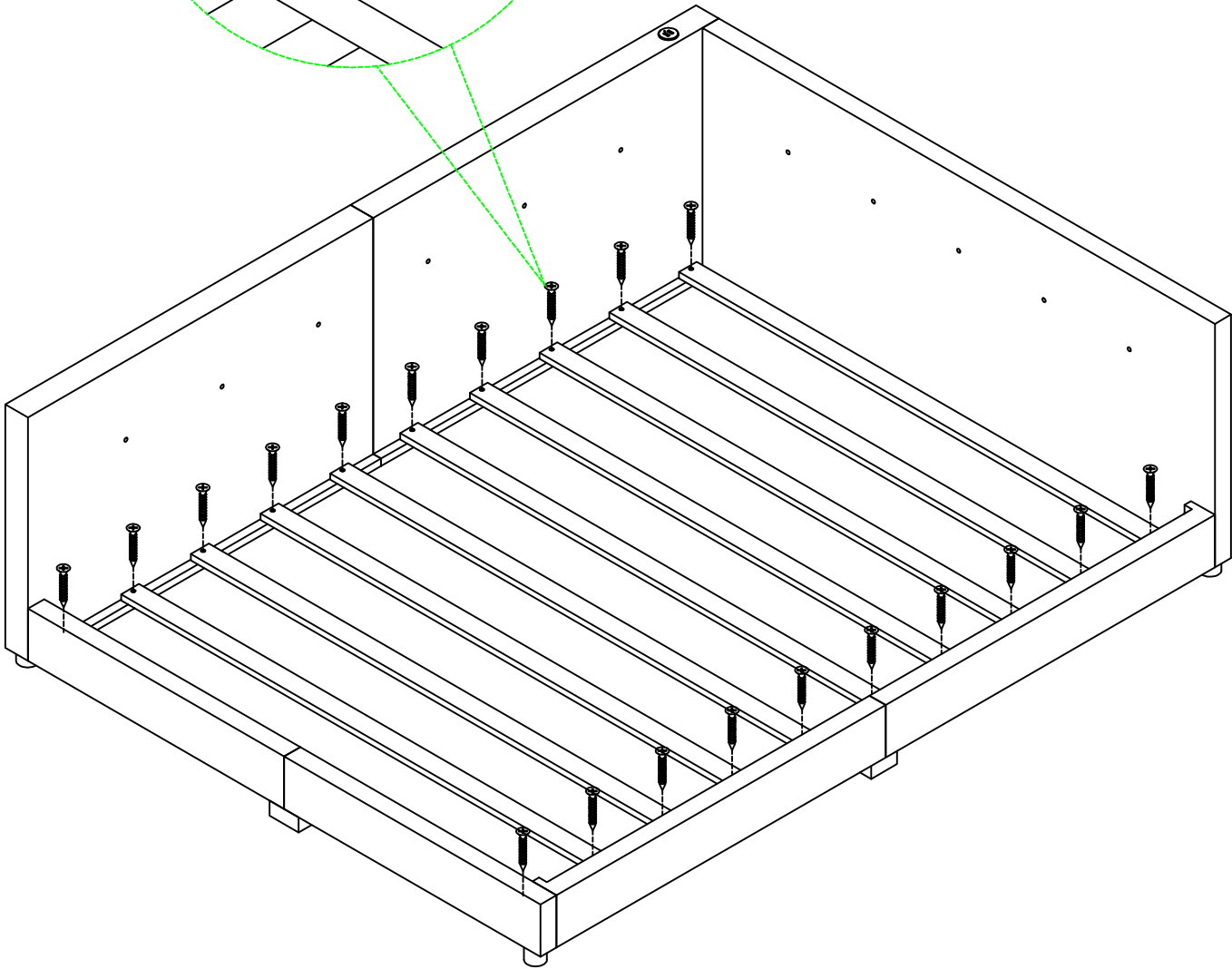
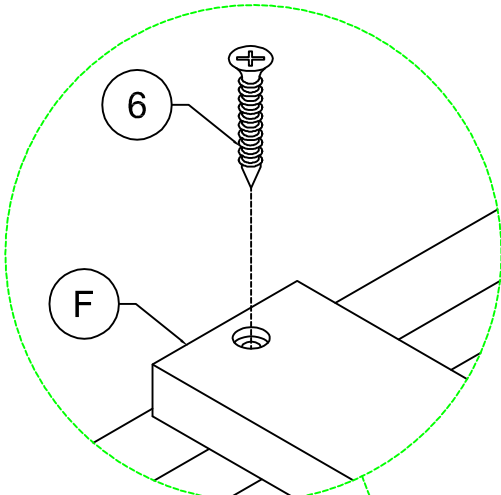


4pcs



**STEP 5:** Following below illustration:

6	
20pcs	



# FINISH

