

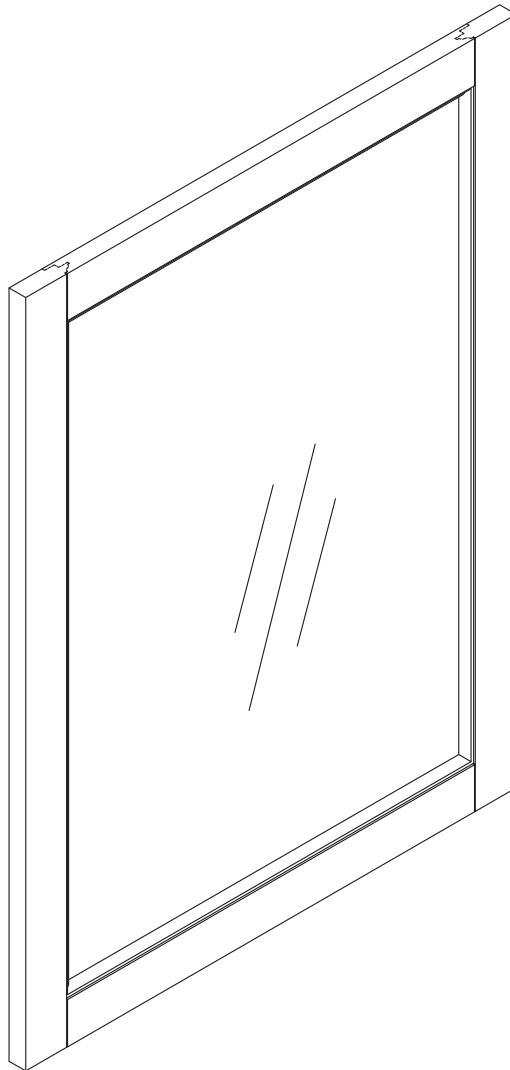


# Canterbury Bathroom Mirror

Available at [Lowes.com](http://Lowes.com). See Store Associate for Details.

## 22-IN Mirror

(22-IN W x 0.75-IN D- 30-IN H)



Date Purchased \_\_\_\_\_

---

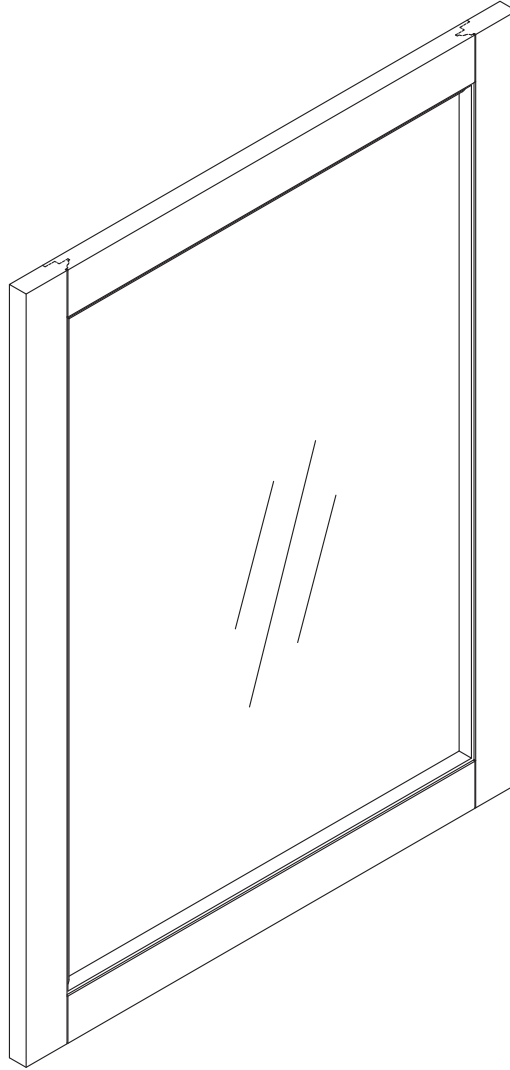
### Questions, problems, missing parts?

Before returning to your retailer,  
call our customer service department at  
1-855-571-1044 9 a.m. - 5 p.m., EST, Monday-Friday.  
[www.greentouchhome.com](http://www.greentouchhome.com)



**SCOTT**  
**LIVING**

TM

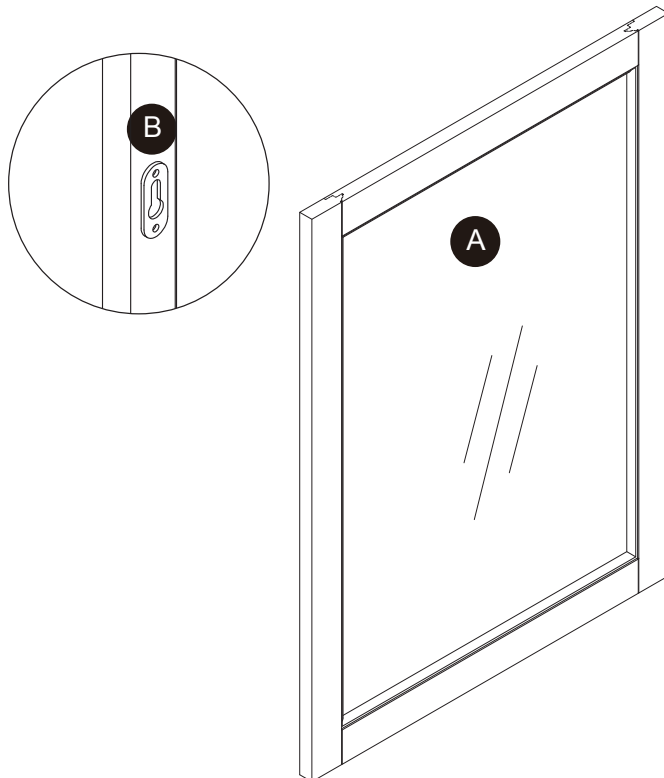


<b>MODEL NUMBER</b>	<b>DESCRIPTION</b>
1227MR-22-201	22" White Finish Mirror
1227MR-22-202	22" Mahogany Finish Mirror
1227MR-22-240	22" Black Birch Finish Mirror
1227MR-22-242	22" Light Gray Finish Mirror

## PACKAGE CONTENTS

---

PART	DESCRIPTION	QUANTITY
A	Mirror	1
B	Mounting Hanger (preassembled to Mirror (A))	1



## HARDWARE CONTENTS

---

AA



Anchor  
Qty.2

BB



Screw  
Qty.2

CC



Touch-up pen  
Qty.1



## **SAFETY INFORMATION**

---

Please read and understand this entire manual before attempting to assemble, operate or install this product.



### **WARNING**

- Some steps are more easily handled with two adults.

### **CAUTION**

- Before installation, carefully use scissors or utility knife to cut and unwrap all parts. Make sure you DO NOT discard the hardware.
- Use care when installing your new mirror; take your time and follow the installation instructions closely.

**KEEP THESE INSTRUCTIONS FOR FUTURE REFERENCE.**

## **PREPARATION**

---

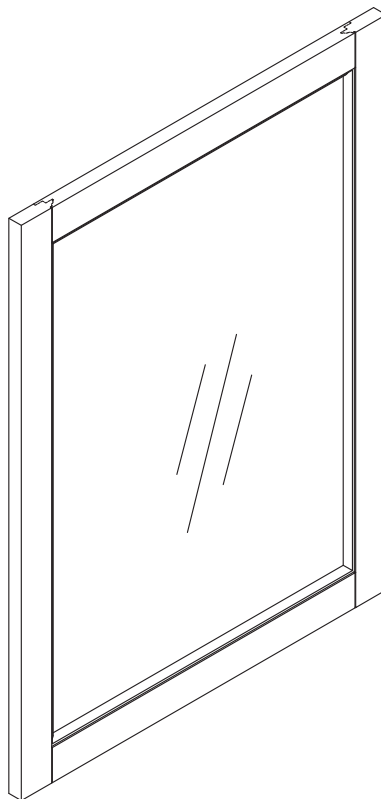
Before beginning assembly of product, make sure all parts are present. Compare parts with package contents list and hardware contents list. If any part is missing or damaged, do not attempt to assemble the product.

**Estimated Installation Time:** 10 minutes.

Tools Required for Installation (not included): Phillips screwdriver, utility knife or scissors, measuring tape and level.

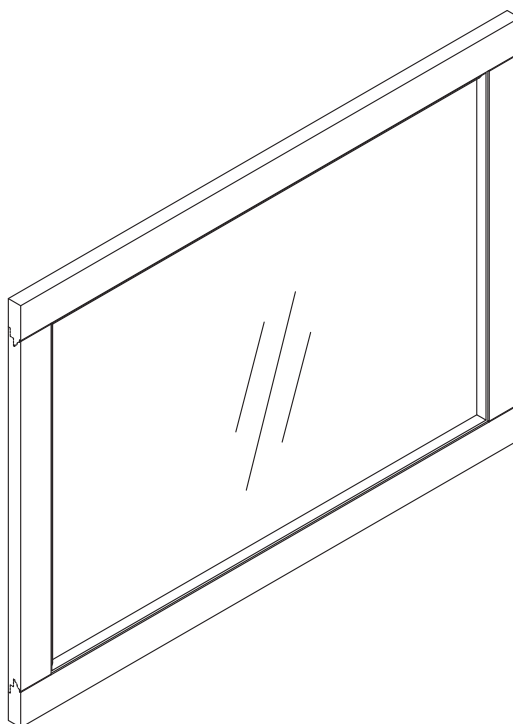
# BEFORE YOU INSTALL, MAKE A CHOICE!!

OPTION 1: Vertical Mounting.



---

OPTION 2: Horizontal Mounting.

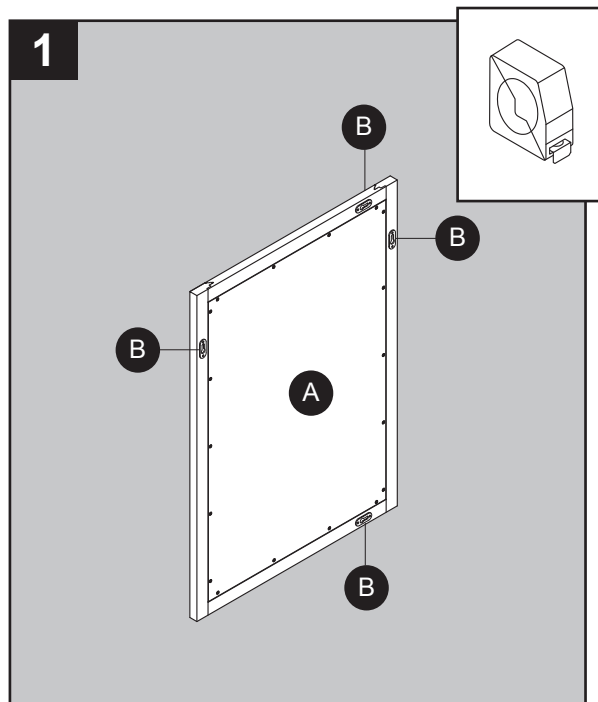


## INSTALLATION INSTRUCTIONS

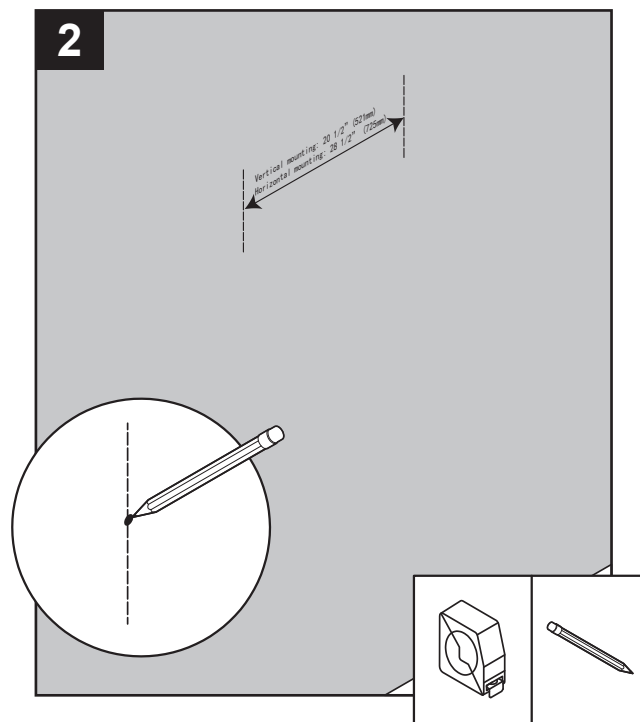
1. Measure the distance between the holes in the mounting hangers (B) on the back of the mirror (A).

**Note:** The distance between the holes in the mounting hangers (B) on the back of the mirror (A) is 20 1/2" (521mm) if installing the mirror vertically.

**Note:** The distance between the holes in the mounting hangers (B) on the back of the mirror (A) is 28 1/2" (725mm) if installing the mirror horizontally.





2. Measure and mark location for mounting hardware on the wall using the measurement from Step 1. Make sure the marks are level and located at the desired height.

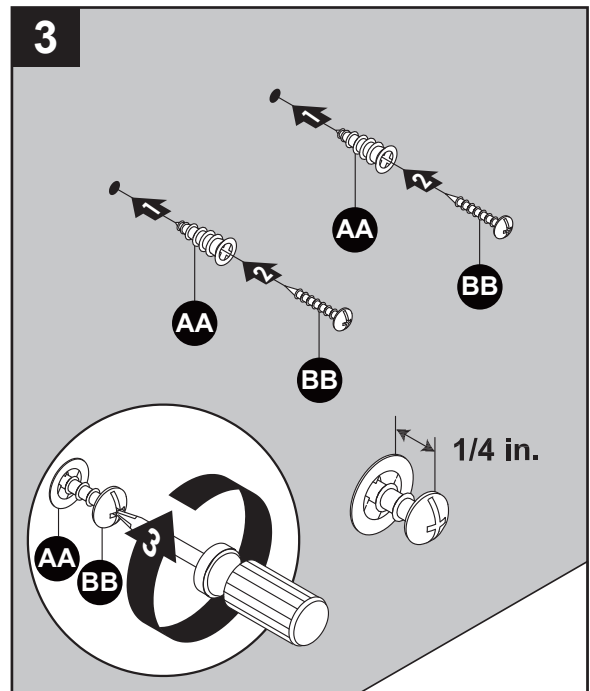


## INSTALLATION INSTRUCTIONS

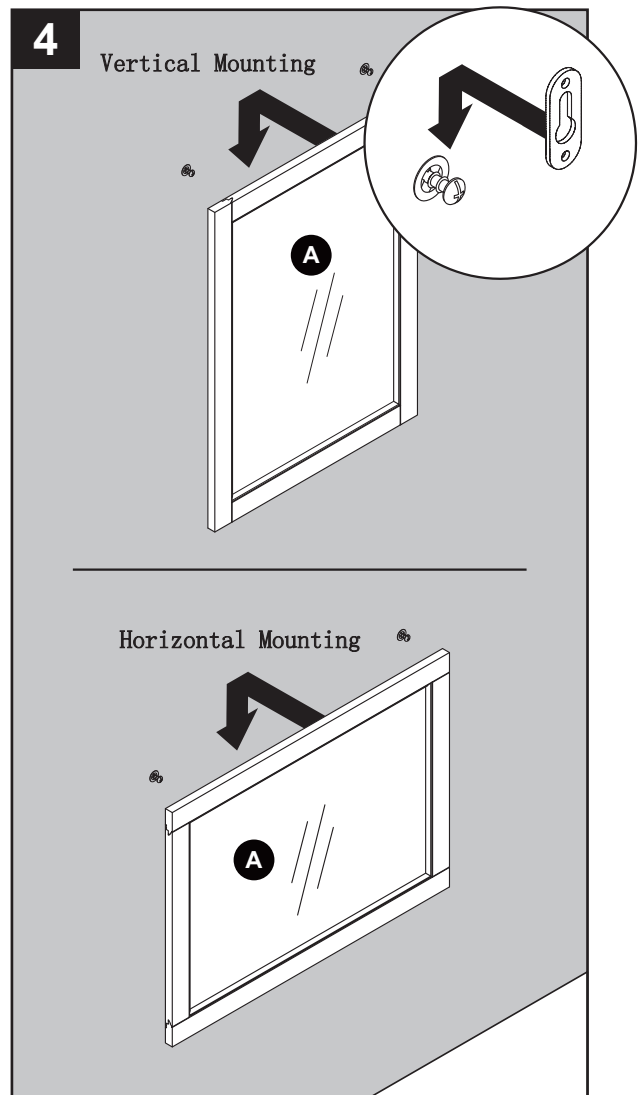
3. There is no need to drill pilot holes for wall anchors (AA). Screw anchors (AA) flush into the wall. Then, insert screws (BB) into anchors (AA), leaving approximately 1/4 in. protruding out from the wall.

### Hardware Used

<b>AA</b>	Anchor		x 2
<b>BB</b>	Screw		x 2



4. With the assistance of another adult, lift mirror (A) to the wall and hang mounting hangers (B) on screws (BB).



## **CARE AND MAINTENANCE**

---

- Dust the frame regularly with a soft, non-lint producing cloth or household dusting product.
- You can clean the mirror frame with a non-abrasive household cleaner. Make sure to dry the wood immediately with a soft cloth or towel.
- The glass can be cleaned using standard household glass cleaning agents.
- Tips for using touch-up pen (CC): For scratches, stroke in direction of scratch; for worn areas, stroke in direction of wood grain. Rub excess colorant promptly with a soft cloth.

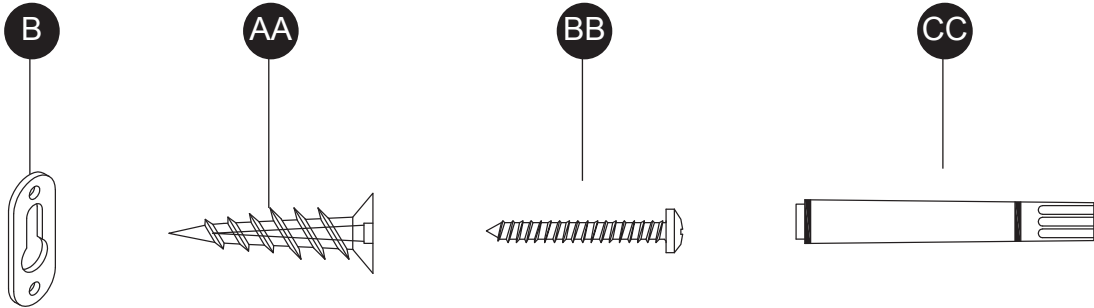
## **WARRANTY**

---

The manufacturer warrants this item against defects in materials and workmanship for a period of one (1) year from the date of original retail purchase. This warranty applies only to the original purchaser. This warranty does not apply to any damage on the product by accident, misuse, or modified, improper installation or by affixing accessories not produced by the manufacture. The manufacturer is not accountable whatsoever for product installation during the warranty period. There is no further expressed warranty. The manufacturer shall not be legally responsible for incidental, consequential or special damages arising at or in connection with product use or performance except as may otherwise be accorded by law. The manufacturer disclaims any and all implied warranties.

## REPLACEMENT PARTS LIST

For replacement parts, call our customer service department at 1-855-571-1044, 9 a.m. - 5 p.m., EST, Monday - Friday.



PART	DESCRIPTION	PART#
B	Mounting Hanger	PU16-1.75x1-MH
AA	Anchor	MWA-SET2
BB	Screw	MWA-SET2
CC	Touch-up Pen for 22" White Finish Mirror (1227MR-22-201)	OF-0010
CC	Touch-up Pen for 22" Mahogany Finish Mirror (1227MR-22-202)	W3350A
CC	Touch-up Pen for 22" Black Birch Finish Mirror (1227MR-22-240)	OX-0180Y
CC	Touch-up Pen for 22" Light Gray Finish Mirror (1227MR-22-242)	OF-0120R