

allen + roth™

ALLEN + ROTH and logo design are trademarks or registered trademarks of LF, LLC. All rights reserved.

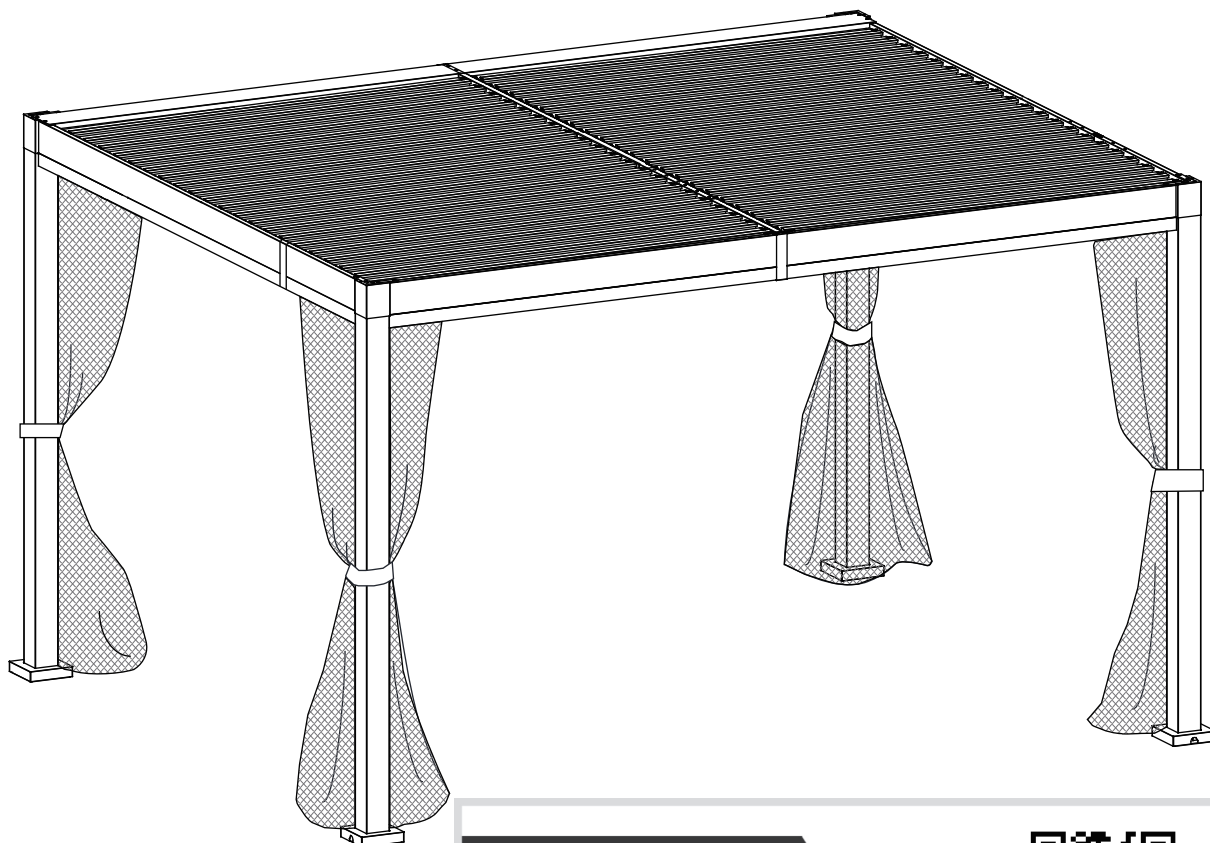
ITEM #6034650

MODEL #TPL25120

LOUVERED PERGOLA

Español p. 33

ATTACH YOUR RECEIPT HERE



BEFORE YOU BEGIN



Scan for easy 3D instructions

Download the BILT app before you begin



Serial Number _____

Purchase Date _____

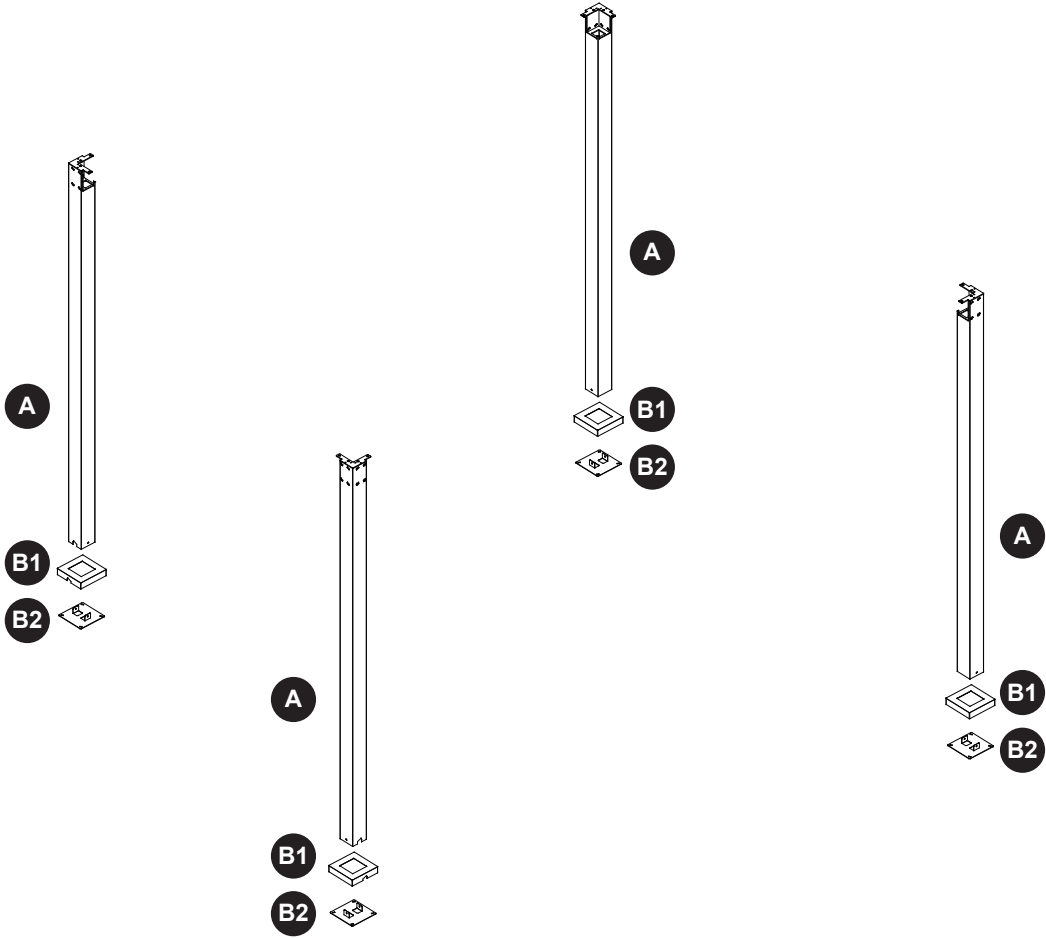
Thank you for purchasing this ALLEN + ROTH product.
Questions, problems or missing parts?
Before returning, contact us on:
866-439-9800, 8 a.m. - 8 p.m., EST, Monday - Sunday or ascs@lowes.com.

SG25980

TABLE OF CONTENTS

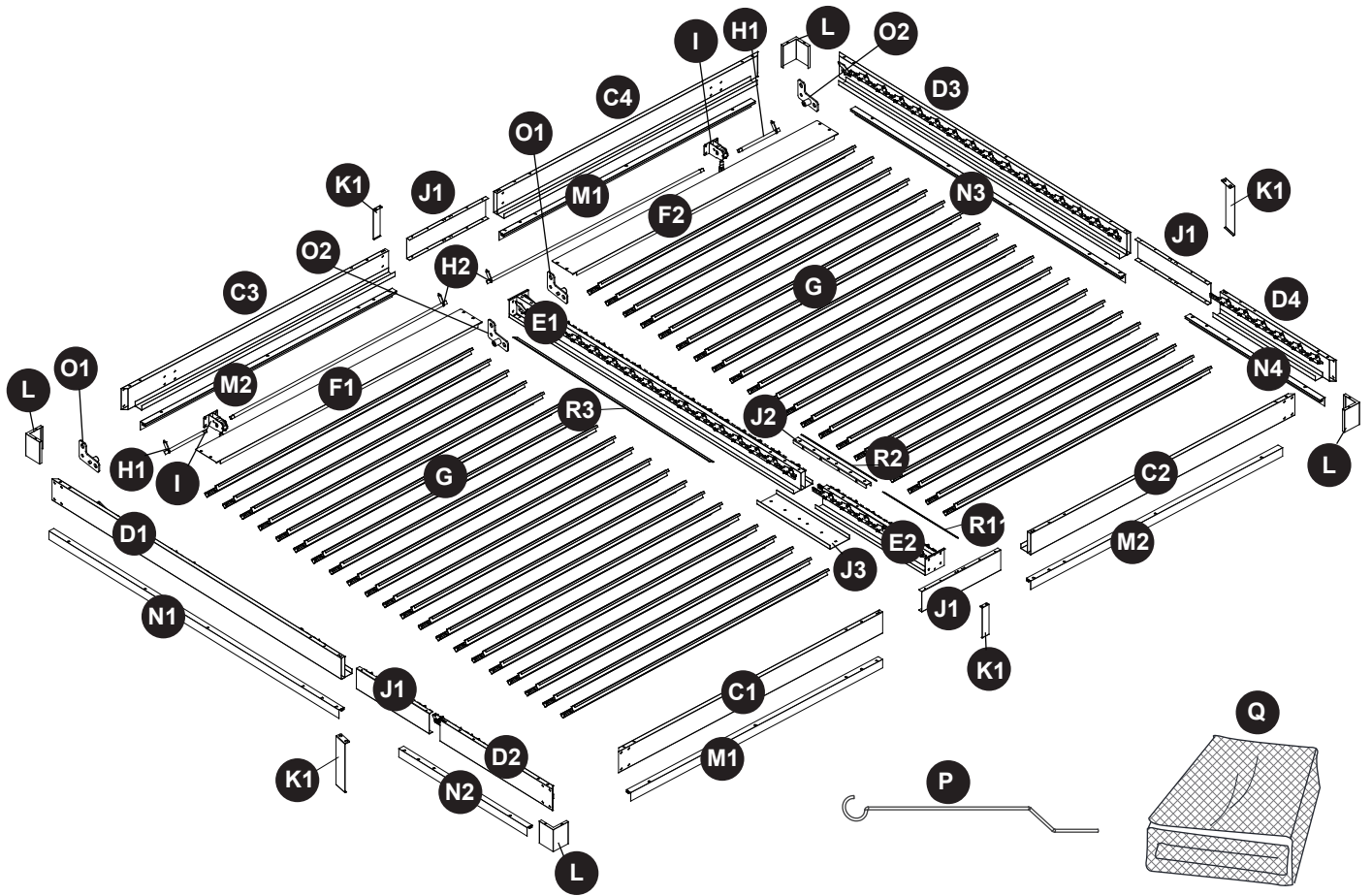
Package Contents	3
Hardware Contents	5
Safety Information	7
Preparation	7
Installation Instructions.....	8
Care and Maintenance	31
Warranty	31
Replacement Parts List	32

PACKAGE CONTENTS



PART	DESCRIPTION	QUANTITY
A	Post	4
B1	Base Cover	4
B2	Base	4

PACKAGE CONTENTS

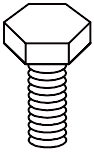


PART	DESCRIPTION	QUANTITY
C1	Front Lintel	1
C2	Front Lintel	1
C3	Rear Lintel	1
C4	Rear Lintel	1
D1	Left Lintel	1
D2	Left Lintel	1
D3	Right Lintel	1
D4	Right Lintel	1
E1	Middle Lintel	1
E2	Middle Lintel	1
F1	Cover Plate	1
F2	Cover Plate	1
G	Rotating Louver Blade	42
H1	Connecting Rod	2
H2	Connecting Rod	2
I	Turbine	2
J1	Connector	4

PART	DESCRIPTION	QUANTITY
J2	Connector	1
J3	Connector	1
K1	Cover	4
L	Cover	4
M1	Track Tube	2
M2	Track Tube	2
N1	Track Tube	1
N2	Track Tube	1
N3	Track Tube	1
N4	Track Tube	1
O1	Hand Crank Connector	2
O2	Hand Crank Connector	2
P	Hand crank	1
Q	Mosquito nets	4
R1	Waterproof Strip	1
R2	Waterproof Strip	1
R3	Waterproof Strip	1

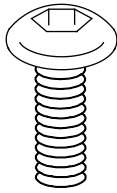
HARDWARE CONTENTS (NOT TO SCALE)

AA



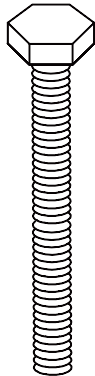
M6 x 15 mm Bolt
Qty. 54 + 2 Extra

BB



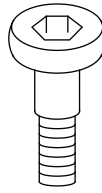
M8 x 20 mm Bolt
Qty. 32 + 1 Extra

CC



M6 x 127 mm Bolt
Qty. 6 + 1 Extra

DD



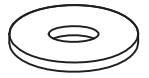
M6 x 20 mm Bolt
Qty. 4 + 1 Extra

EE



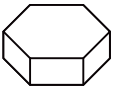
Washer M6
Qty. 96 + 2 Extra

FF



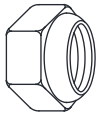
Washer M8
Qty. 4 + 1 Extra

GG



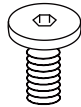
Bolt Cover
Qty. 60 + 2 Extra

HH



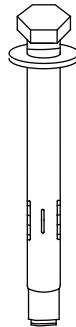
Nut
Qty. 10 + 1 Extra

II



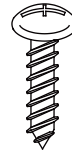
M5 x 8 mm Bolt
Qty. 168 + 4 Extra

JJ



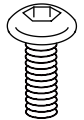
M8 x 100 mm
Expansion Anchor
Qty. 16

KK



M5 x 15 mm Bolt
Qty. 8 + 1 Extra

LL



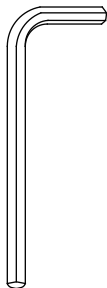
M6 x 15 mm Bolt
Qty. 72 + 2 Extra

MM



Plastic washer M6
Qty. 6 + 1 Extra

NN



Wrench 5#
Qty. 1

OO



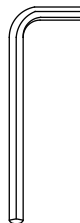
Wrench 4#
Qty. 1

PP



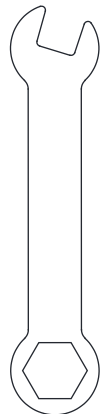
Wrench 4#
Qty. 1

QQ



Wrench 3#
Qty. 1

RR



Wrench
Qty. 2

HARDWARE CONTENTS (NOT TO SCALE)

TT



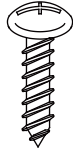
Cap
Qty. 6 + 1 Extra

UU



Drill Bit ϕ 3.2
Qty. 1

VV



M4 x 25 mm Bolt
Qty. 6 + 2 Extra

WW



Plastic washer M4
Qty. 6 + 2 Extra

SAFETY INFORMATION

Please read and understand this entire manual before attempting to assemble, operate or install the product.

WARNING

- **WARNING: KEEP ALL FLAME AND HEAT SOURCES AWAY FROM THIS TENT FABRIC.** The fabric may burn if left in continuous contact with any flame source. The application of any foreign substance to the tent fabric may render the flame-resistant properties ineffective.
- If high winds, heavy rains or any snow occurs, remove Mosquito nets, and check for damage before continued use.
- It is recommended to open the louvers to a vertical position during snowfall in winter to prevent heavy snow accumulation from affecting their service life.

CAUTION

SET UP YOUR GAZEBO PROPERLY

- 4 people are recommended for safe assembly.
- Keep all children, pets and other obstructions away from assembly area.
- If any part is missing or damaged, do not attempt to assemble the product.
- In order to avoid damage to the gazebo and its components please use appropriate tools.
- Do not use the structure as support.
- Check all bolts on a regular basis to maintain the solidity of the structure.
- Keep instructions for future use.
- Do not climb on top of the gazebo. Falling off the gazebo can result in serious injury, possibly even death.

EXAMINE YOUR GAZEBO

- Examine occasionally to ensure there are no loose parts.
If loose parts are found, they should be retightened immediately.

PREPARATION

Before beginning assembly of product, make sure all parts are present. Compare parts with package contents list and hardware contents list. If any part is missing or damaged, do not attempt to assemble the product.

Estimated Assembly Time: 120 minutes

Tools Required for Assembly (not included):



Safety goggles



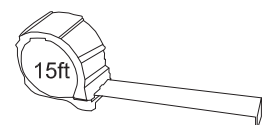
Gloves



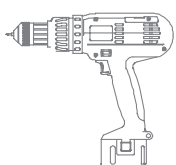
Hard hat



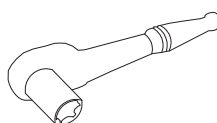
Stepladder



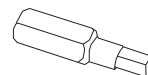
15-Foot
Tape measure



Cordless drill or driver
with 4 mm Allen head bit



Socket wrench with
10 mm and 14 mm socket



3 mm / 4 mm / 5mm/ 6mm
Allen or Hex bit

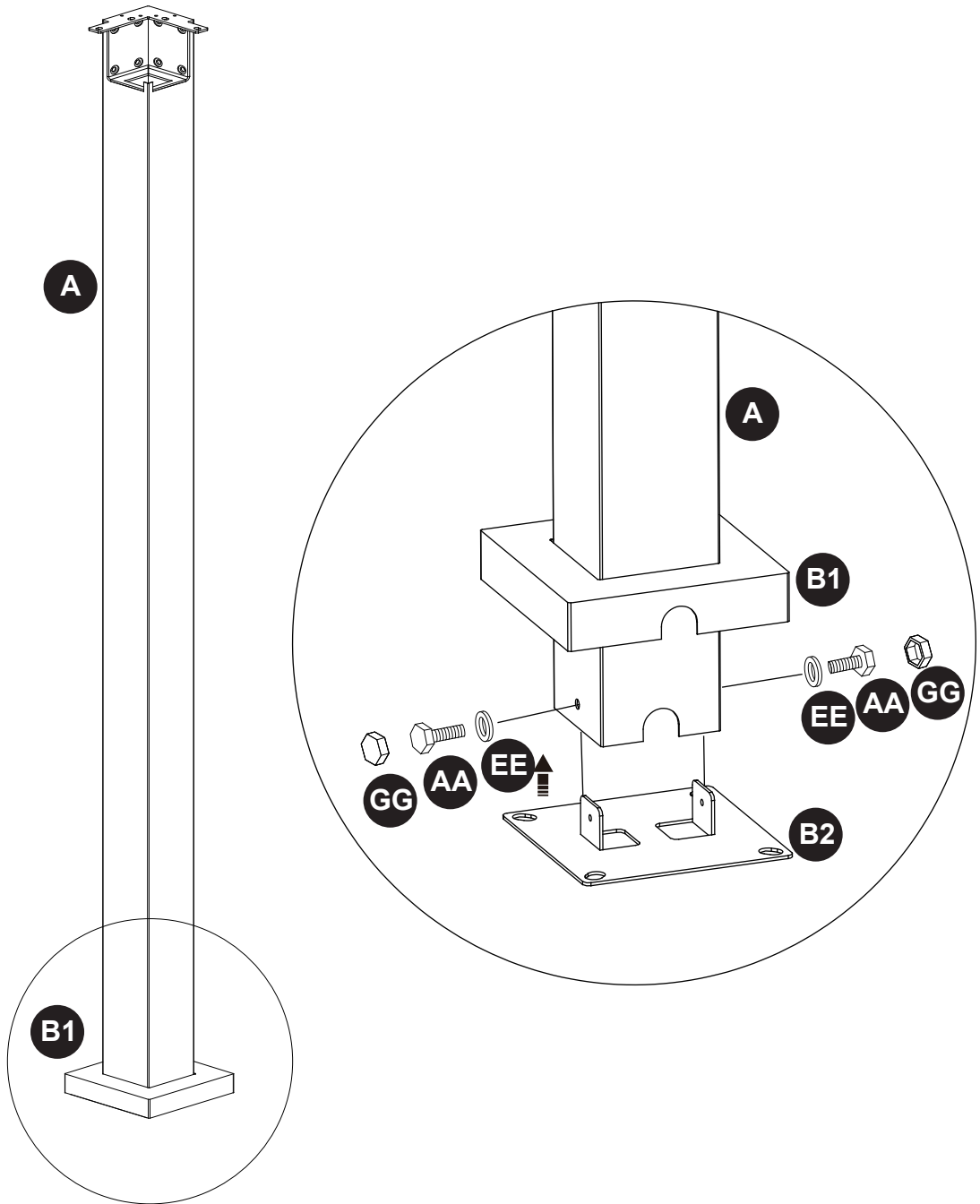


Driver bit extension
(4-inch recommended)

INSTALLATION INSTRUCTIONS

1 Hardware Used

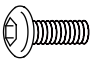


AA		x8	RR		x1
EE		x8	GG		x8

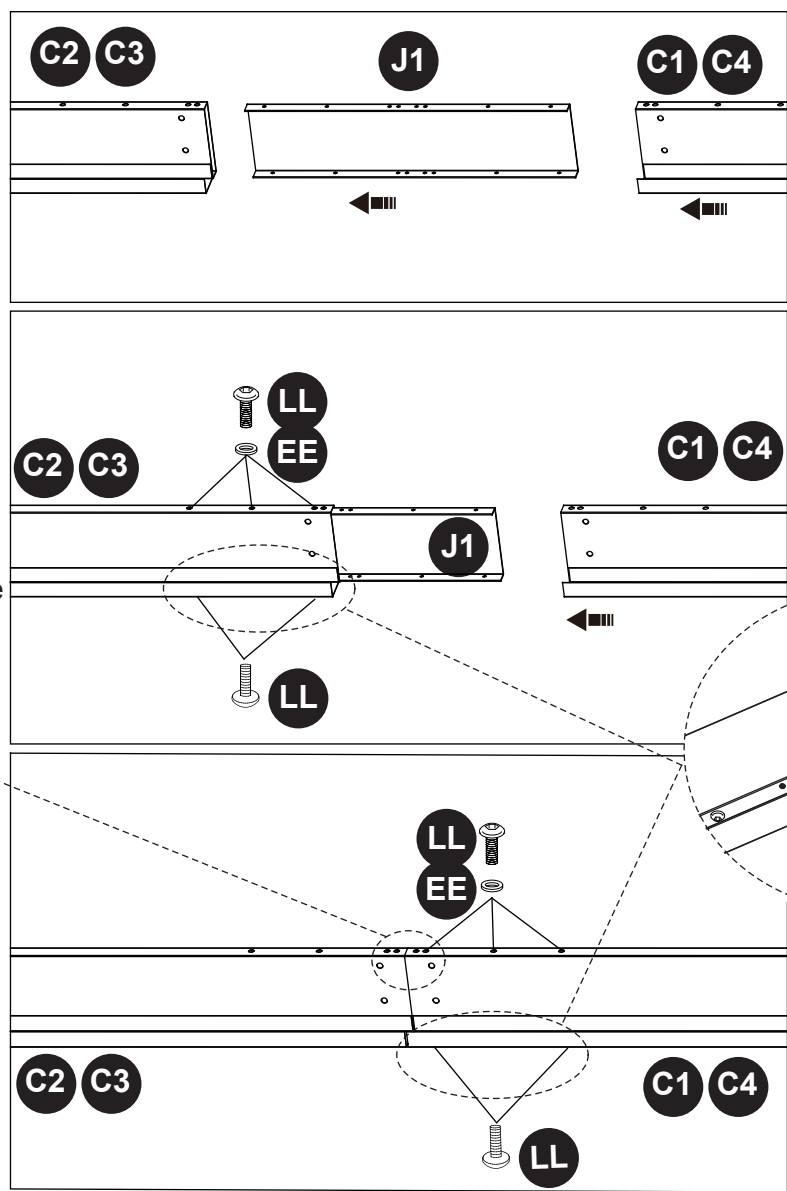
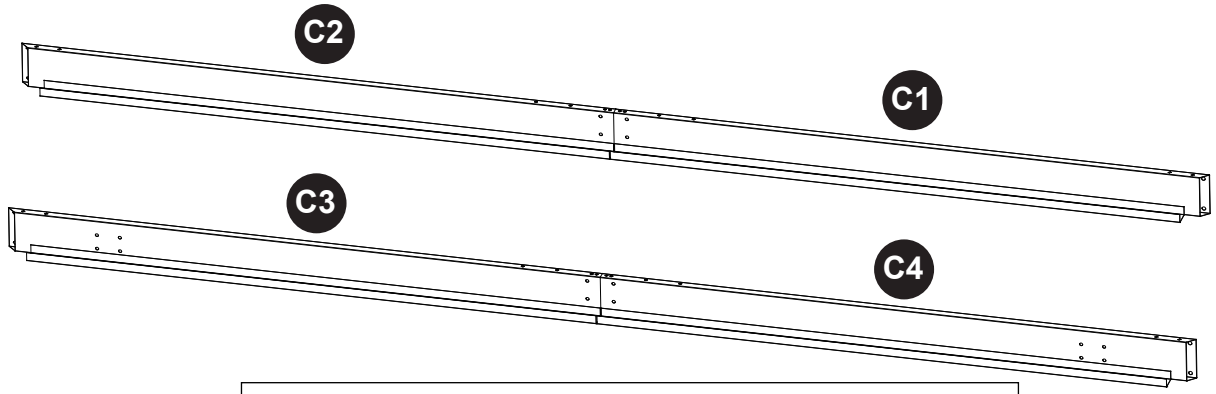


1. Through the base cover (B1) into the corner post (A), then connect the base plate (B2) and corner post (A), secure with bolt / washer / cap (AA/EE/GG).

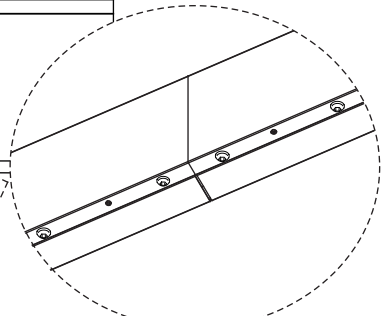
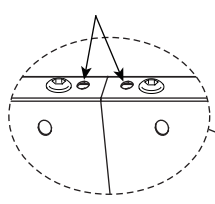
INSTALLATION INSTRUCTIONS

2 Hardware Used

LL		x20	OO		x1
EE		x12			



Don't install the bolts in the middle two holes now.

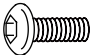
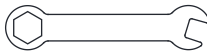




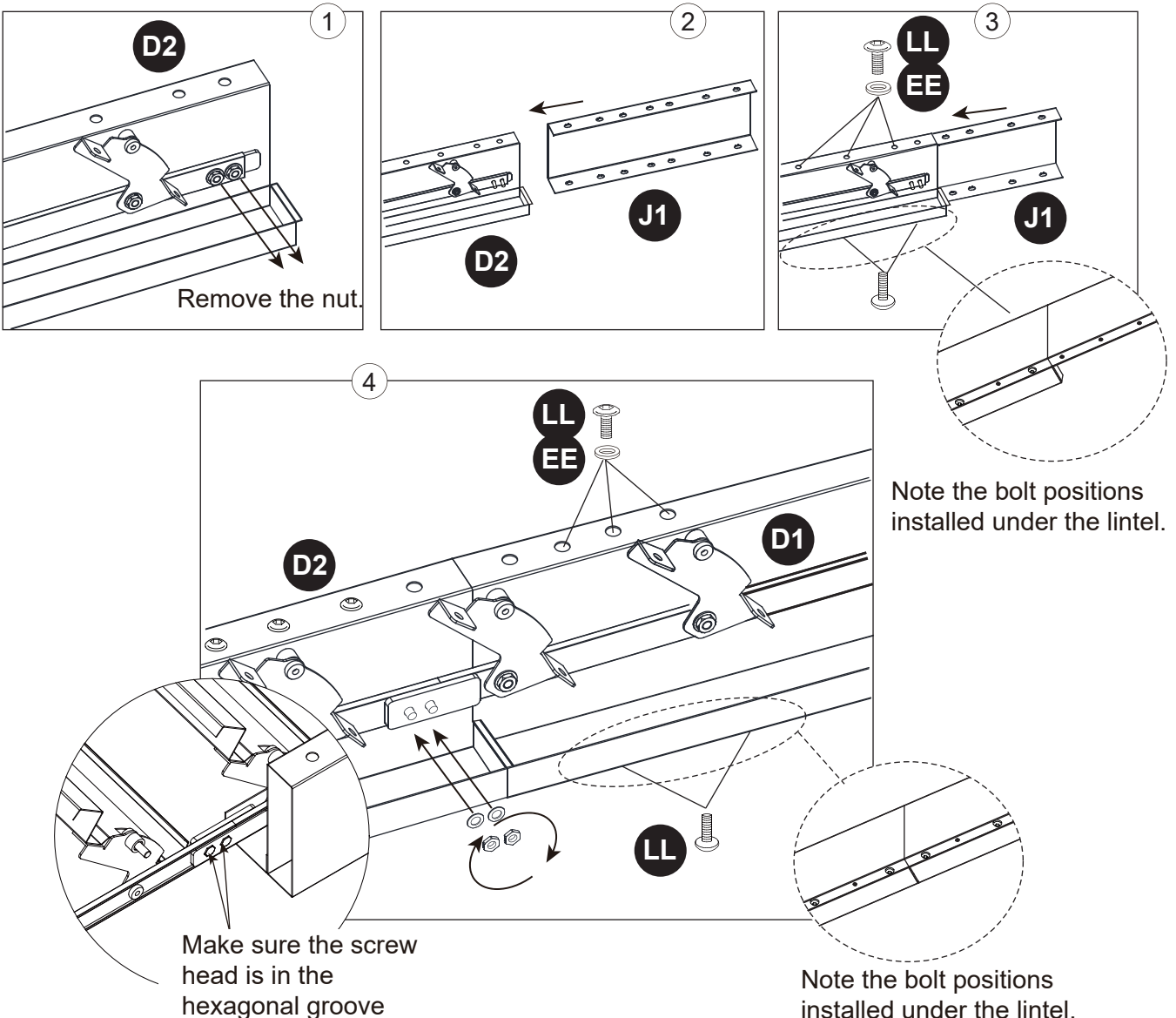
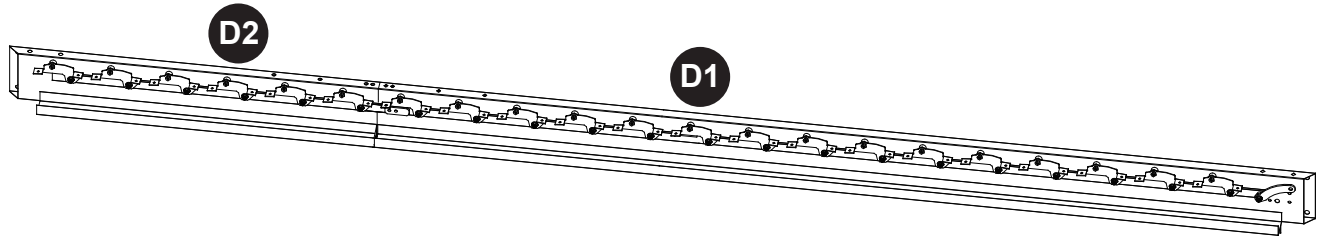
Note the bolt positions installed under the lintel.

2. Insert the connector (J1) into the lintel (C2/C3), fix with the bolt / washer (LL/EE). Then insert the lintel (C1/C4) into the connector (J1), fix with the bolt / washer (AA/EE).

INSTALLATION INSTRUCTIONS

3 Hardware Used

LL		x10	RR		x1
EE		x6	OO		x1

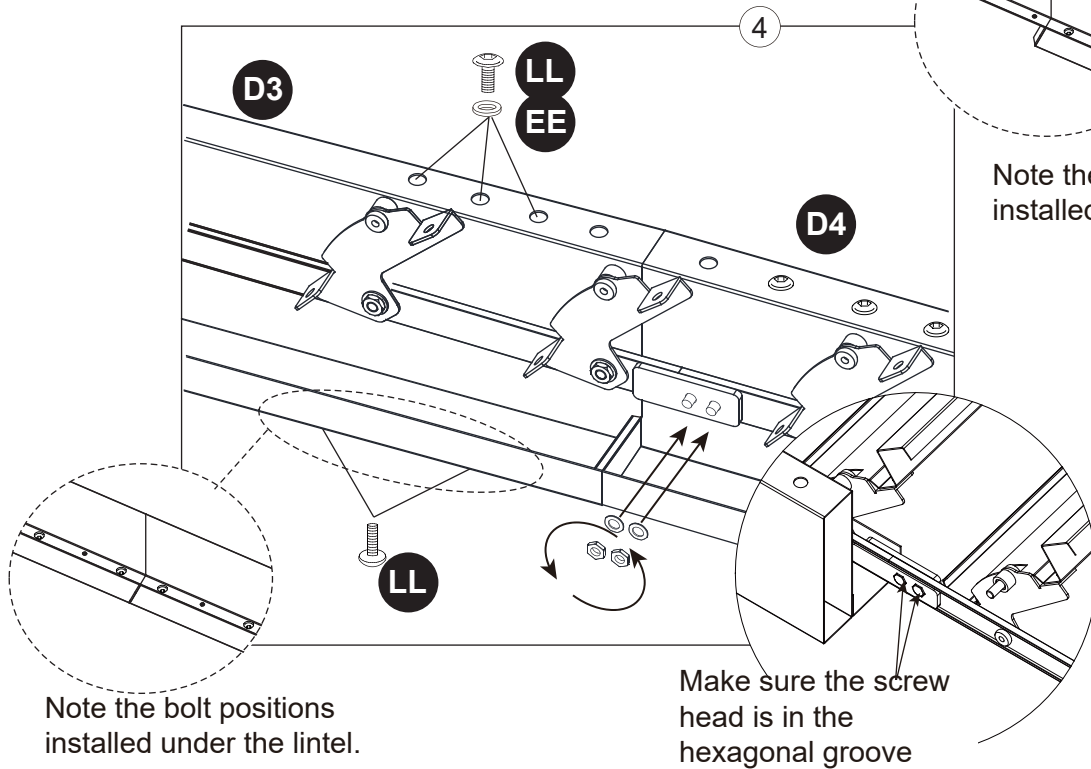
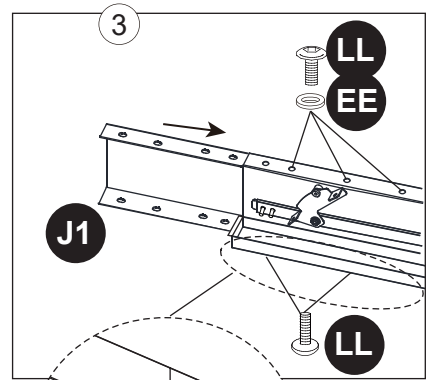
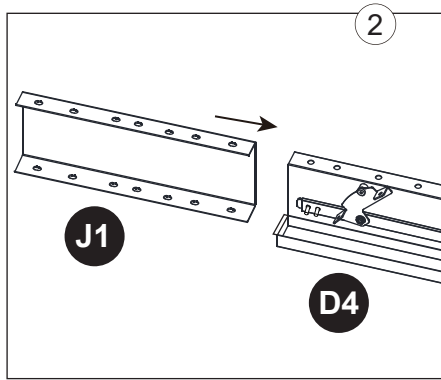
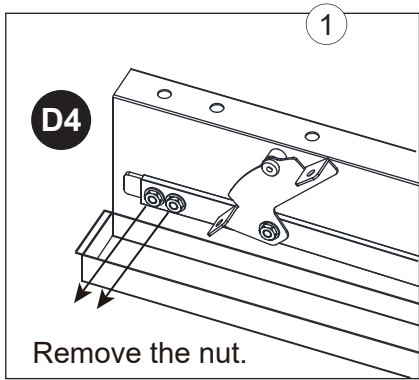
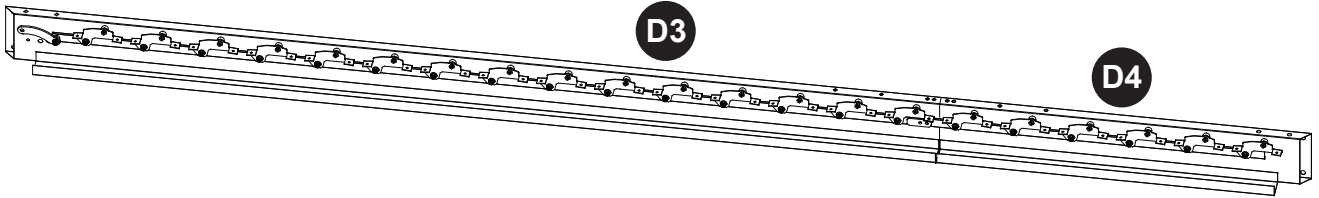


- 3.1 Remove the nut from the left lintel (D2).
- 3.2 Insert the connector (J1) into the left lintel (D2), fix with the bolt / washer (LL/EE).
- 3.3 Insert the connector (J1) into the left lintel (D1), fix with the bolt / washer (LL/EE). then cover the nut.

INSTALLATION INSTRUCTIONS

4 Hardware Used

LL		x10	RR		x1
EE		x6	OO		x1



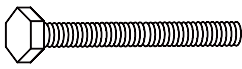






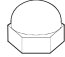


4.1 Remove the nut from the left lintel (D4).

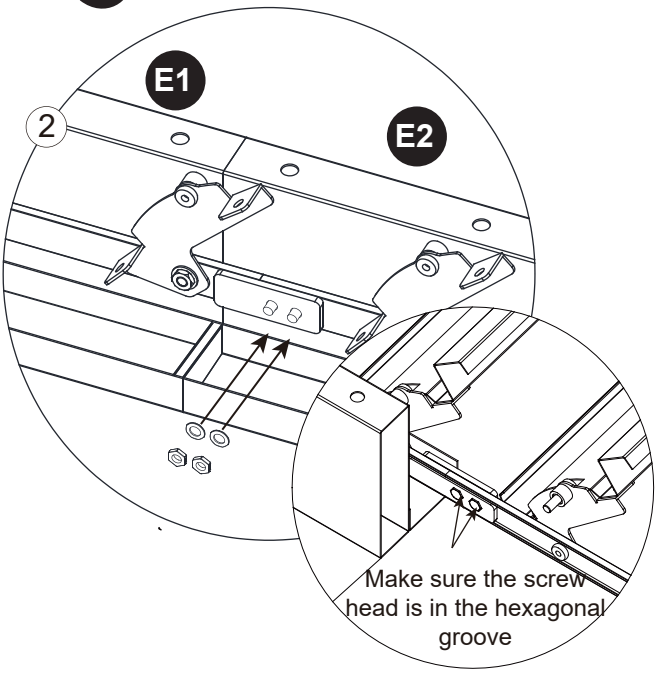
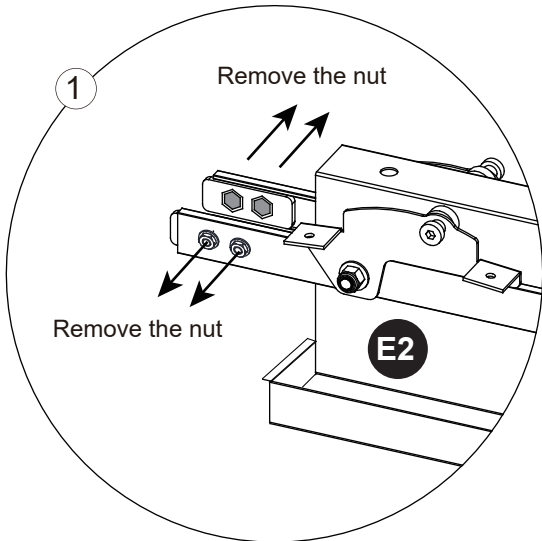
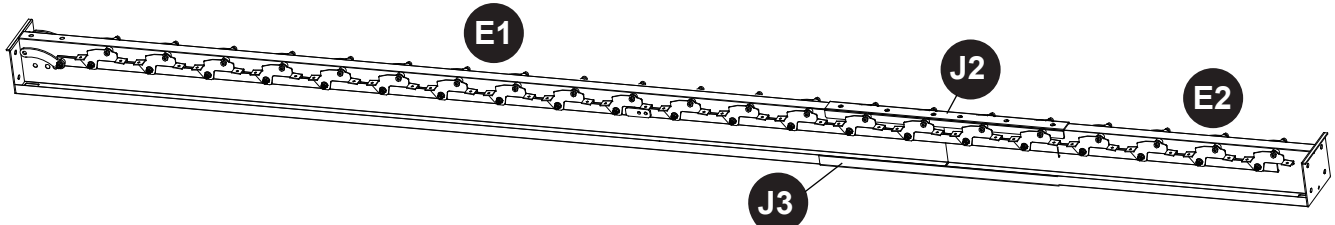
4.2 Insert the connector (J1) into the left lintel (D4), fix with the bolt / washer (LL/EE).

4.3 Insert the connector (J1) into the left lintel (D3), fix with the bolt / washer (LL/EE). then cover the nut.

INSTALLATION INSTRUCTIONS

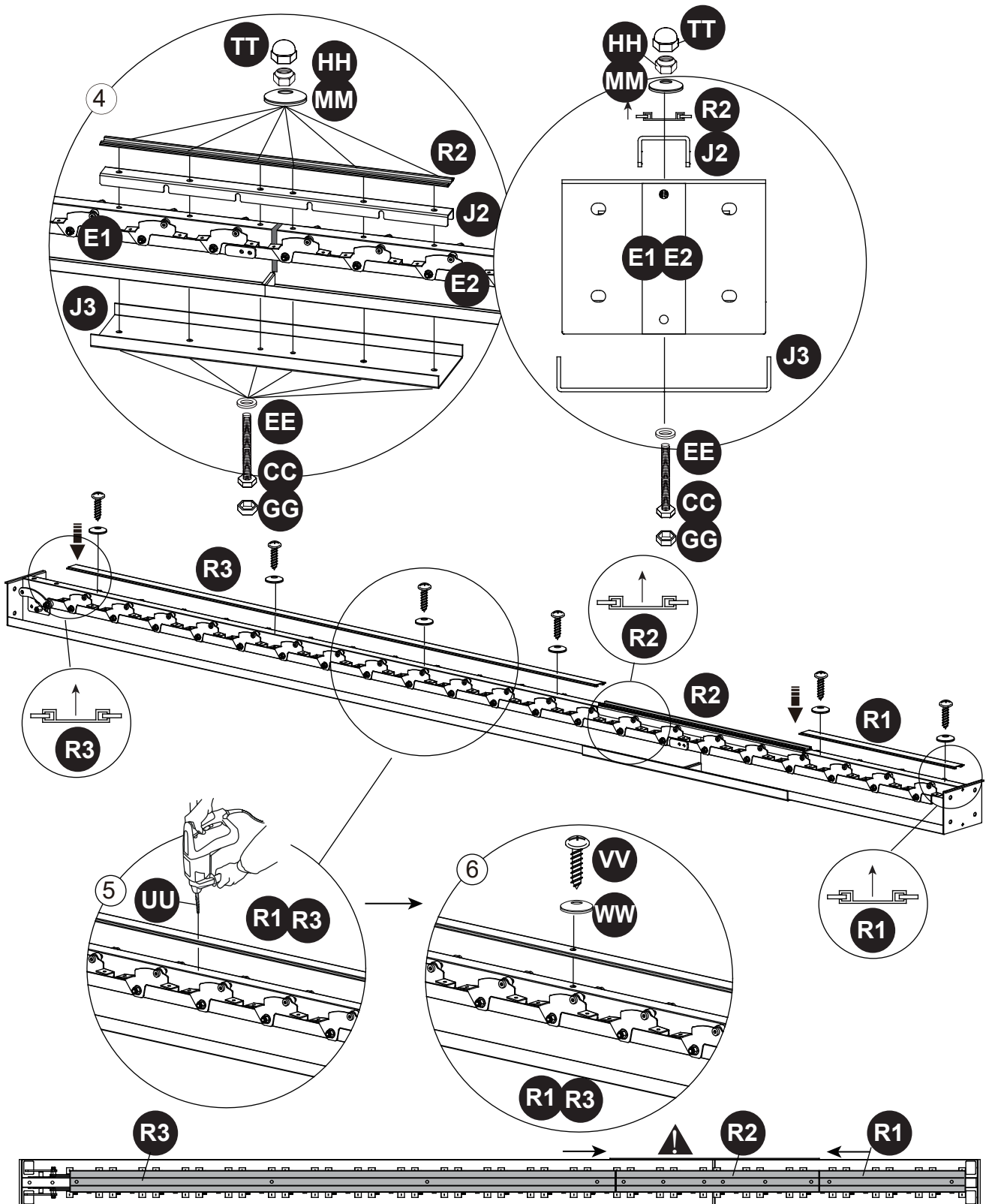
5 Hardware Used

CC		x6	RR		x2
EE		x6	GG		x6
HH		x6	MM		x6
UU		x1	TT		x6
VV		x6	WW		x6



→
Please refer to page 13
for detailed steps

INSTALLATION INSTRUCTIONS



5.1 Remove the nut from the middle lintel (E2), then connect the middle lintel (E1) and middle mullion (E2) together, then cover the nut. Last connect the waterproof strip (R2) and the connector (J2/J3)

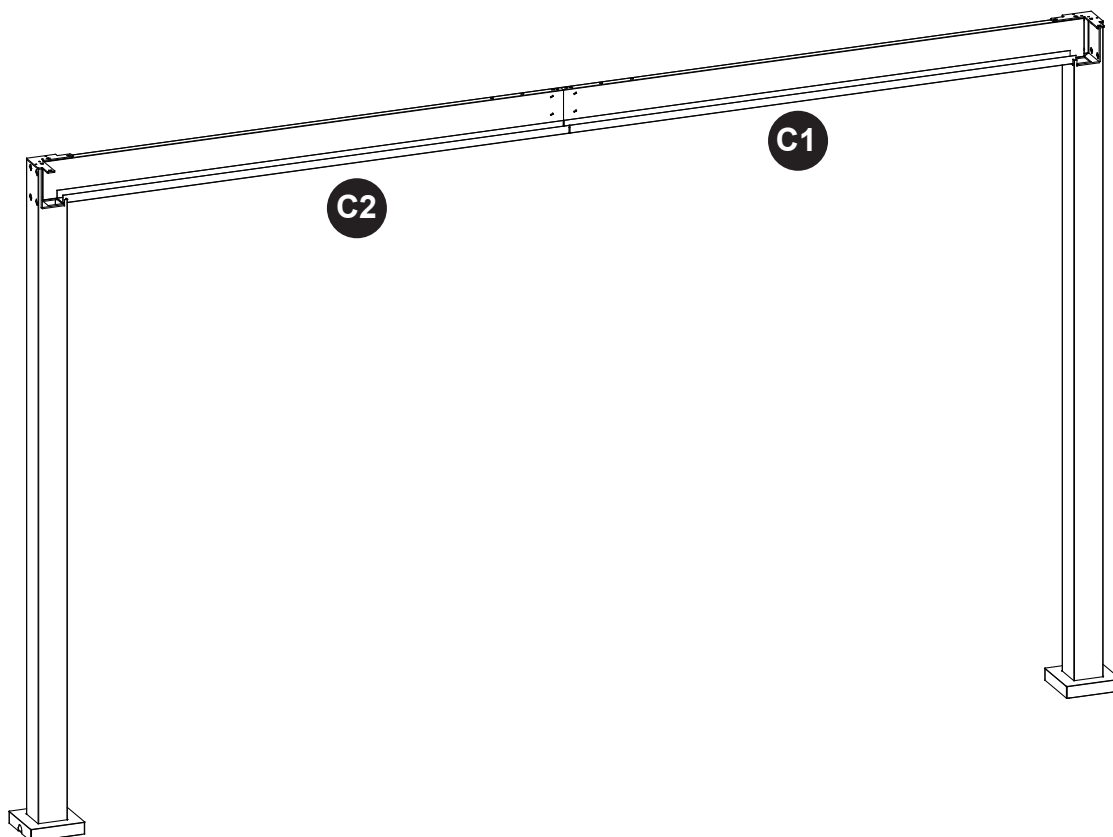
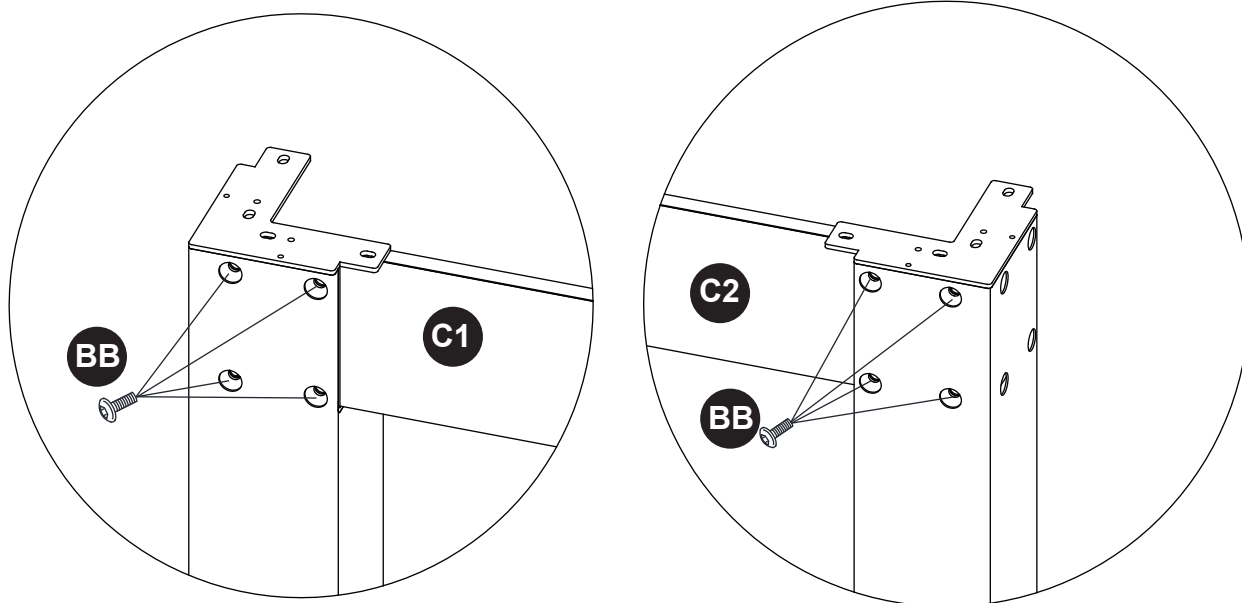
with the middle lintel (E1/E2) together, fix with the bolt / washer / nut / cap (CC/EE/MM/HH/GG/TT).

5.2 First, use a hammer drill to drill holes through the waterproof strip (R1/R3) into the middle lintel (E1/E2). Then secure the waterproof strip (R1/R3) to the middle lintel (E1/E2) using screws (VV) and plastic washers (WW). Ensure one end of waterproof strip (R1) aligns with R2, and one end of waterproof strip (R3) aligns with one end of waterproof strip (R1).

INSTALLATION INSTRUCTIONS

6 Hardware Used

BB		x8	NN		x1
-----------	---	----	-----------	---	----

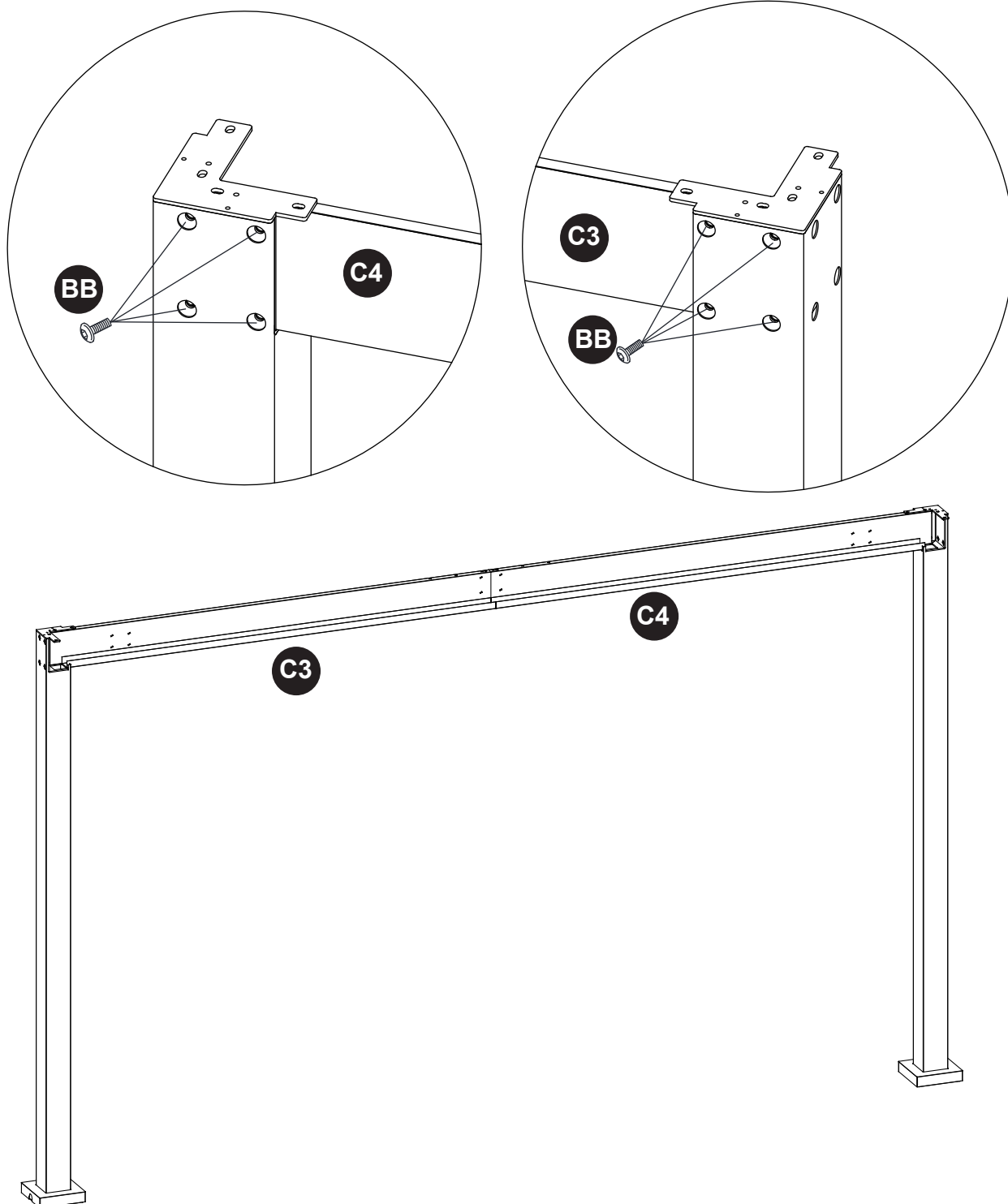


6. Connect the front lintel (C1/C2) and posts (A), secure with bolts (BB).

INSTALLATION INSTRUCTIONS

7 Hardware Used

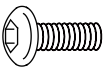
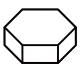
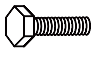
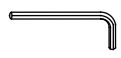


BB		x8	NN		x1
-----------	---	----	-----------	---	----

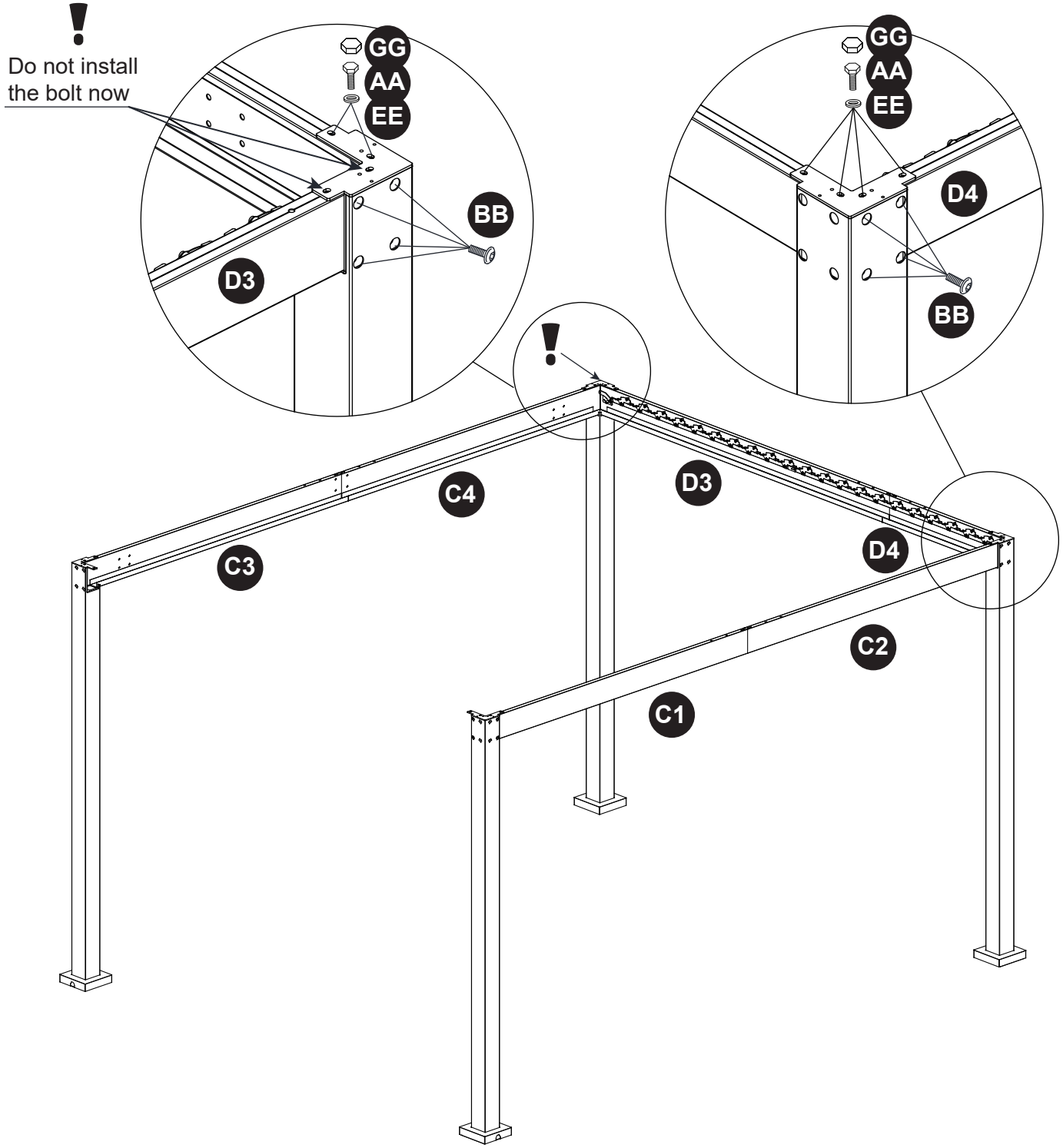


7. Connect the rear lintel (C3/C4) and posts (A), secure with bolts (BB).

INSTALLATION INSTRUCTIONS

8 Hardware Used

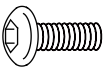
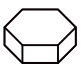
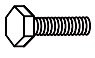
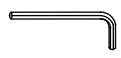


BB		x8	GG		x6
AA		x6	NN		x1
EE		x6	RR		x1

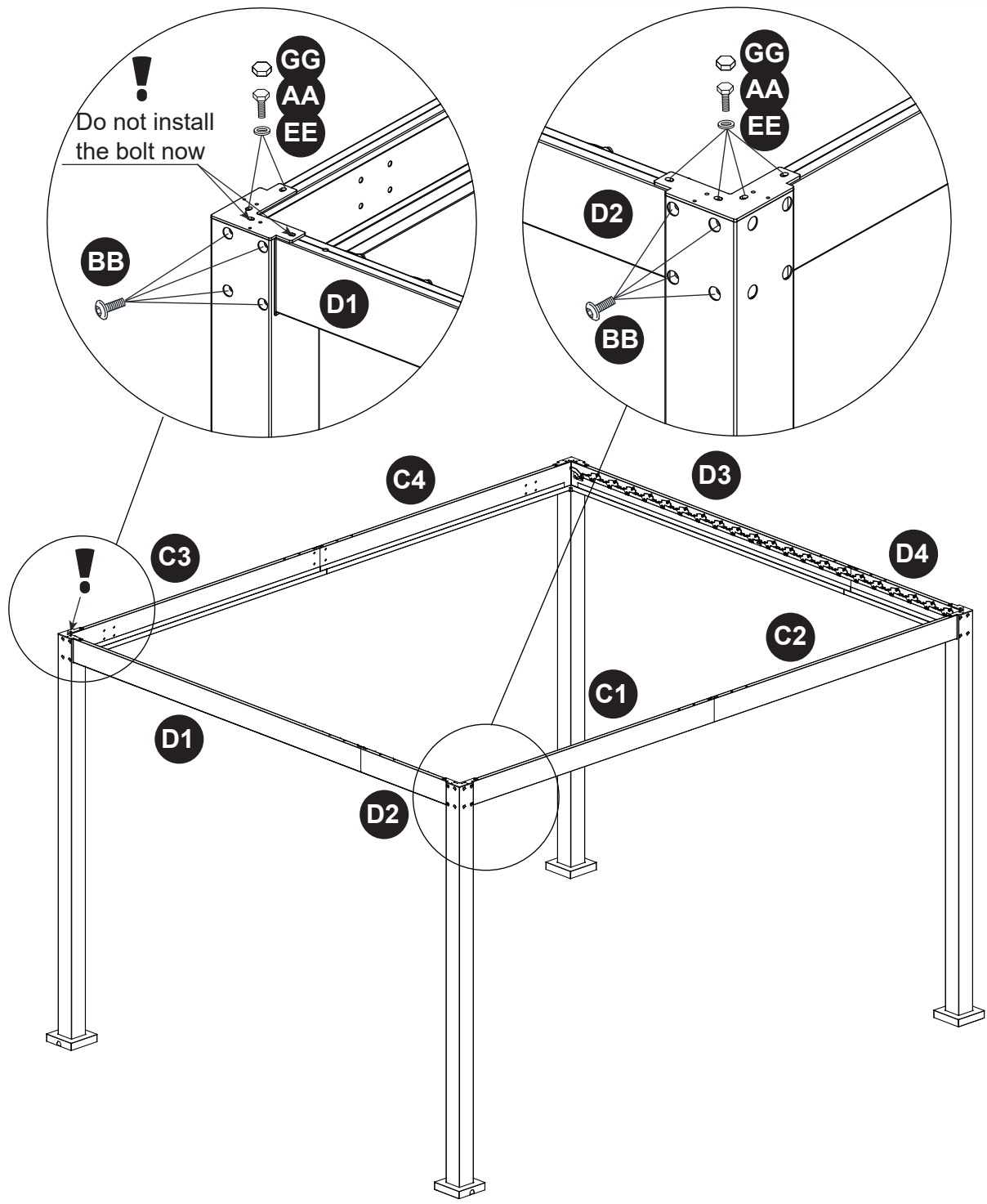


8. Connect the lintel (D3/D4) and corner posts (A), secure with bolt / washer / cap (AA/BB/EE/GG).

INSTALLATION INSTRUCTIONS

9 Hardware Used

BB		x8	GG		x6
AA		x6	NN		x1
EE		x6	RR		x1

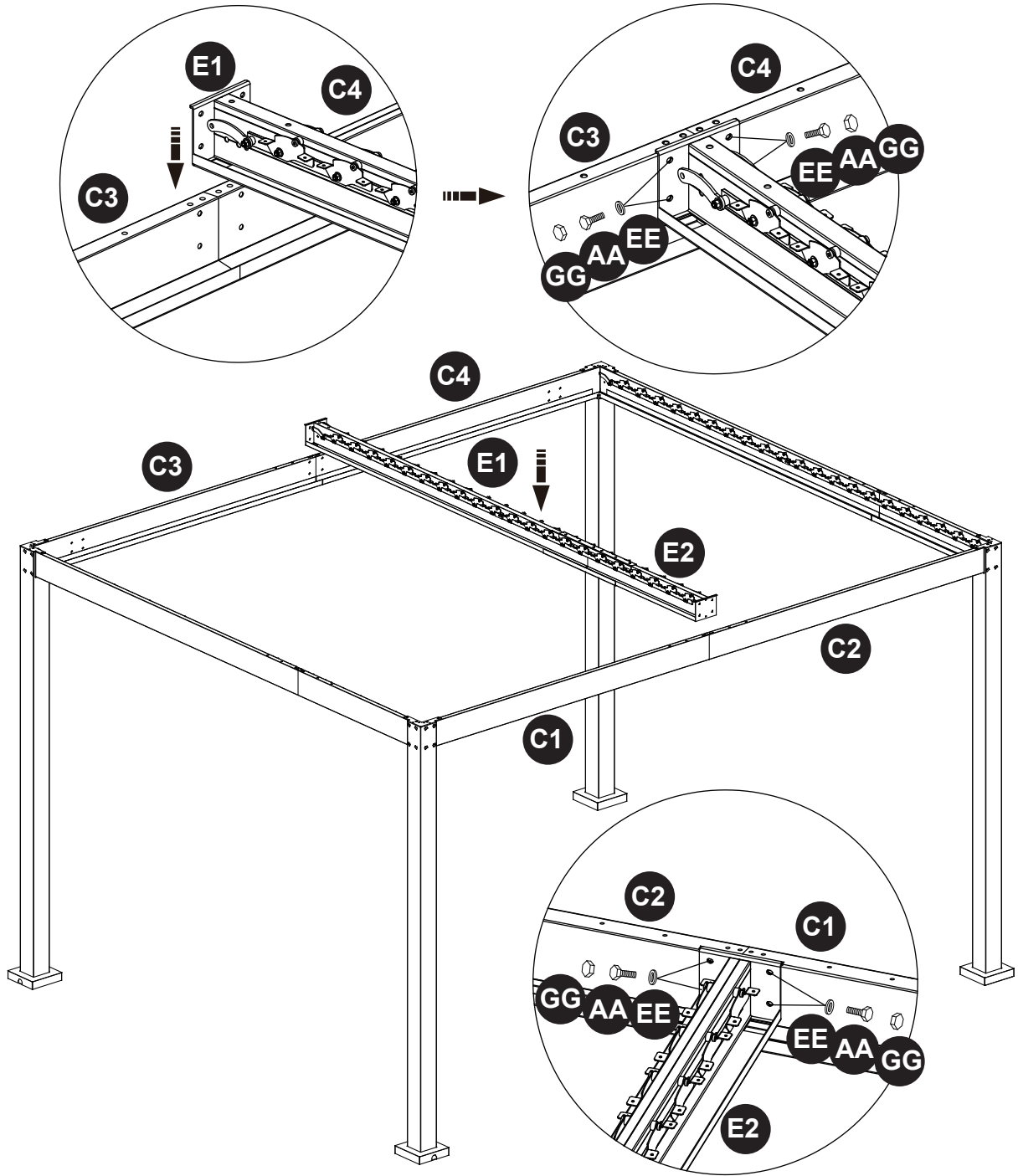


9. Connect the lintel (D1/D2) and corner posts (A), secure with bolt / washer / cap (AA/BB/EE/GG).

INSTALLATION INSTRUCTIONS

10 Hardware Used

AA		x8	GG		x8
EE		x8	NN		x1

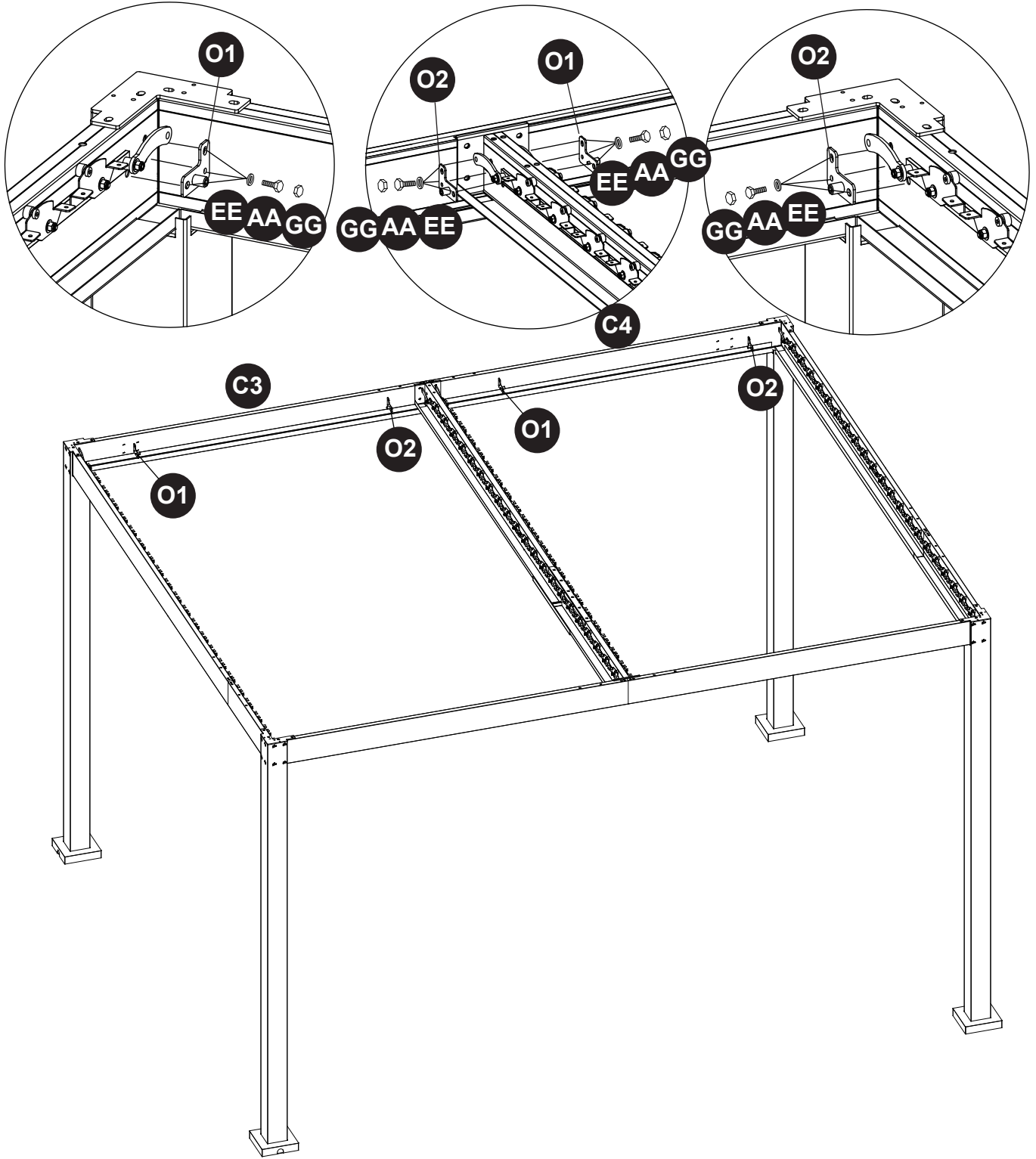


10. Connect the middle lintel (E1/E2) to the front lintels (C1/C2) and rear lintels (C3/C4) with bolt / washer / cap (AA/EE/GG).

INSTALLATION INSTRUCTIONS

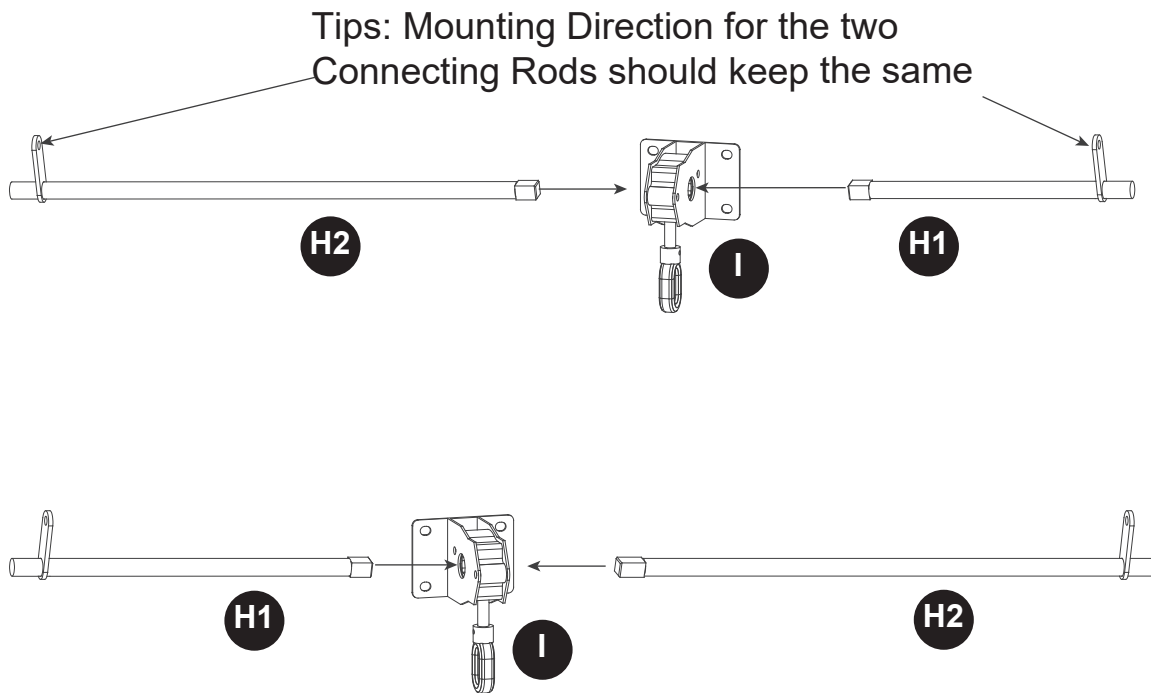
11 Hardware Used

AA		x12	GG		x12
EE		x12	RR		x1



11. Connect the hand crank connectors (O1/O2) to the Intel (D1/D3/E1) by using bolt / washer / cap (AA/EE/GG).

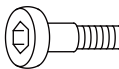





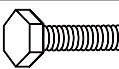

12 Hardware Used

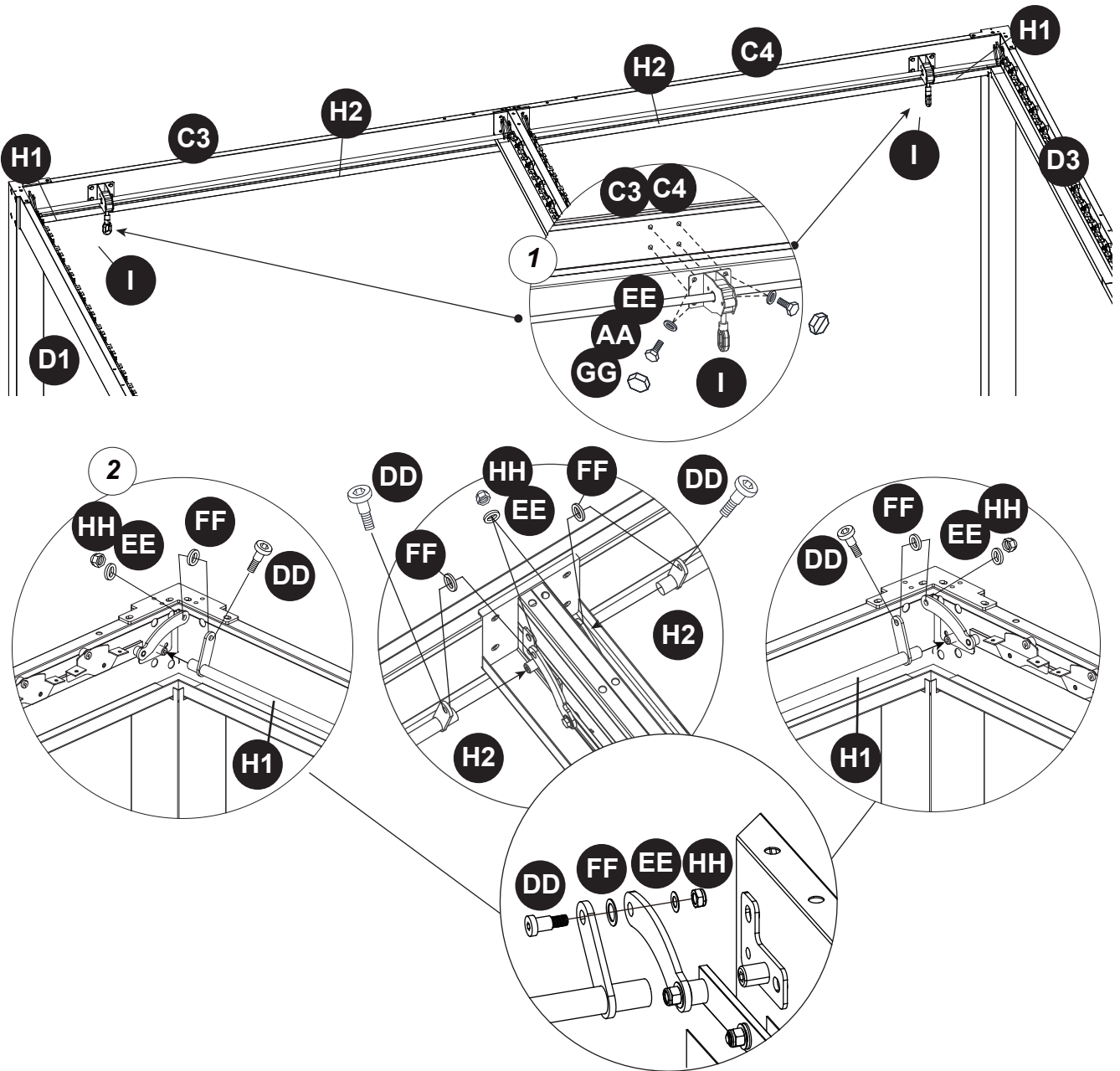


12. Slide the connecting rod (H1/H2) into the turbine (I).

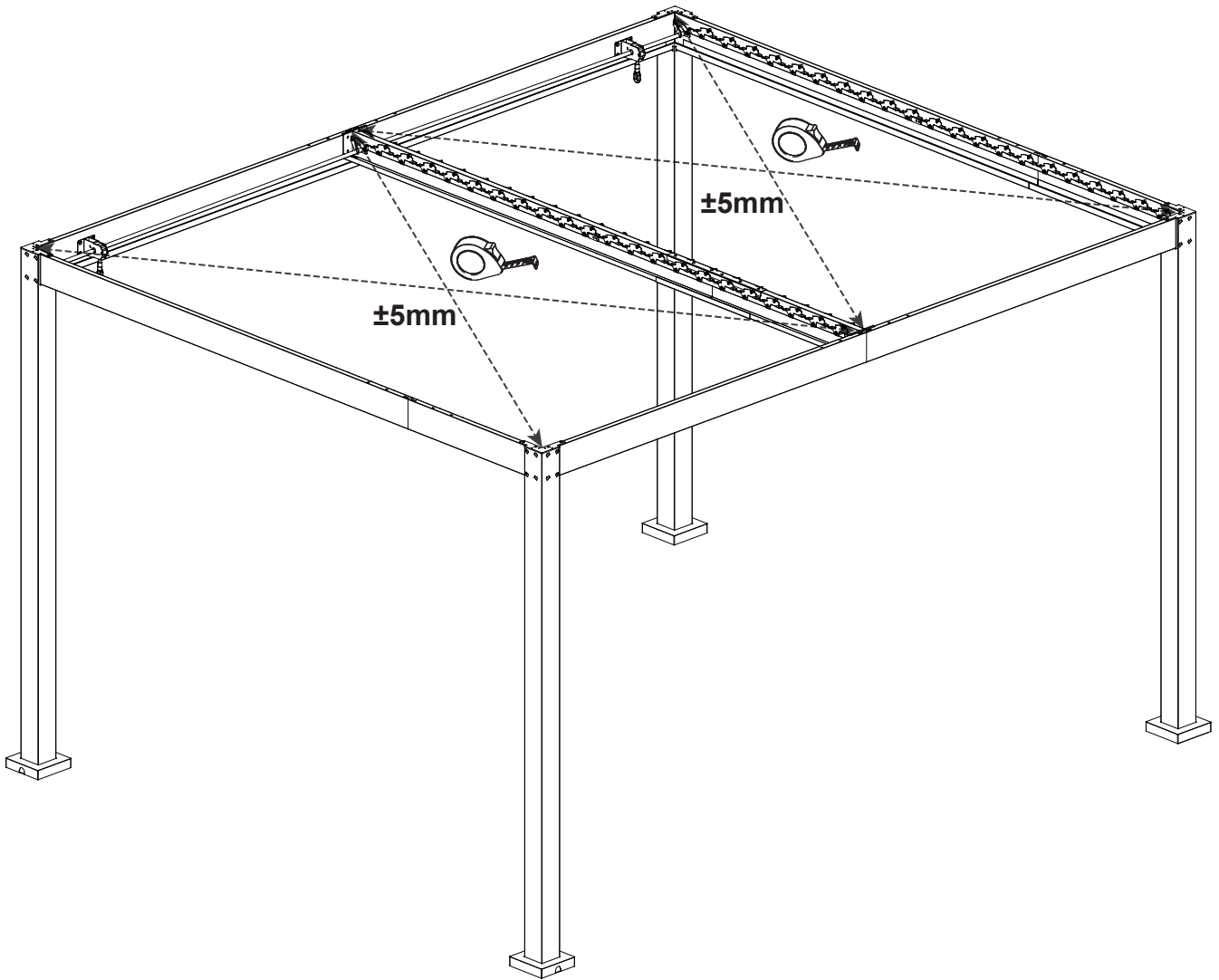
INSTALLATION INSTRUCTIONS

13 Hardware Used

DD		x4	HH		x4
EE		x12	RR		x1
FF		x4	OO		x1
AA		x8	GG		x8



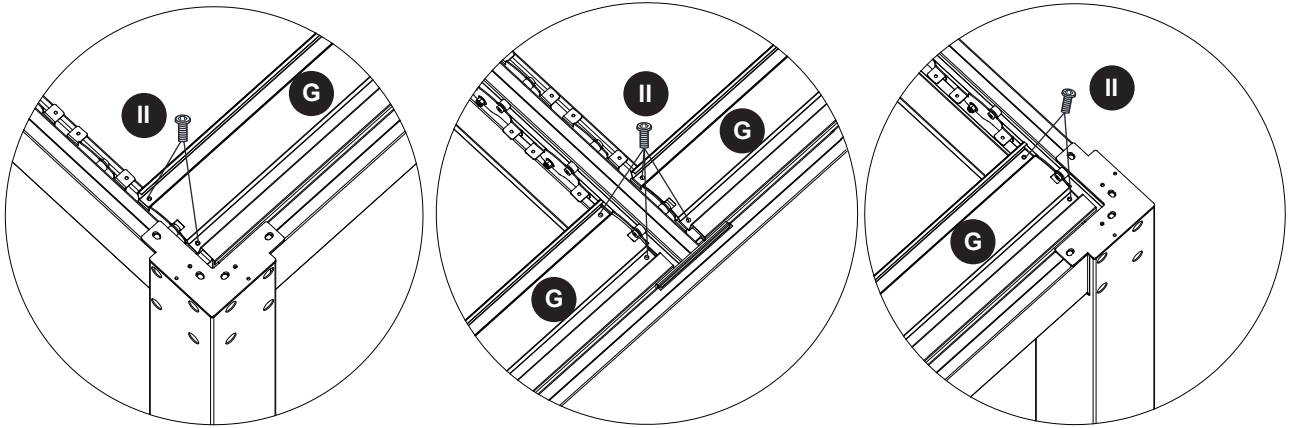
13. Connect the turbine (I) with the rear lintel (C3/C4) and secure them with bolt / washer / cap (AA/EE/GG). Finally, connect the connecting rod (H1/H2) to the lintels (D1/D3/E1) with bolt / washer / nut (DD/EE/FF/HH).



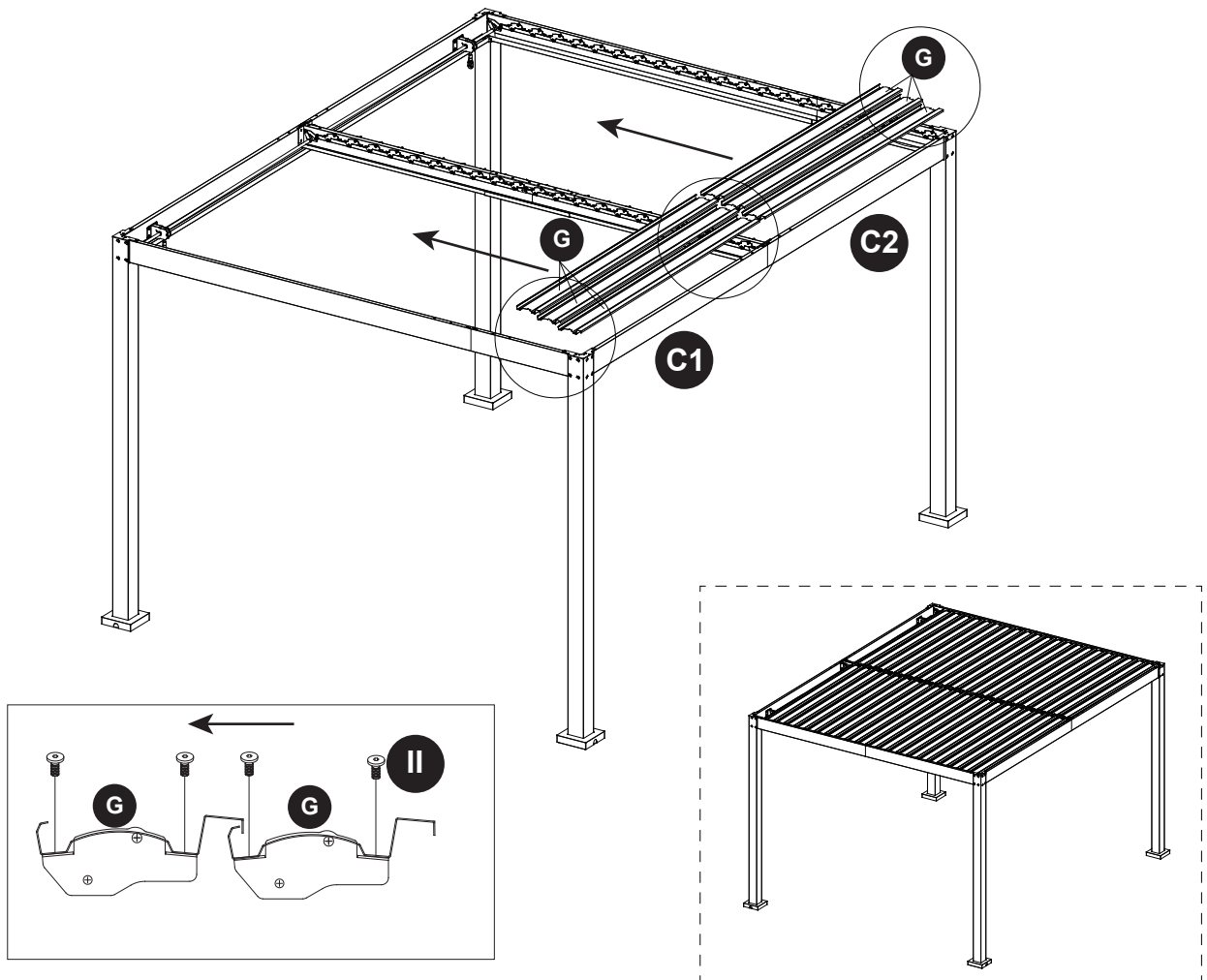
Note: Be sure measurements diagonally across the overall frame are within 5mm of the same distance after completing this step.

15 Hardware Used

		<p>x168</p>			<p>x1</p>
---	---	-------------	---	---	-----------



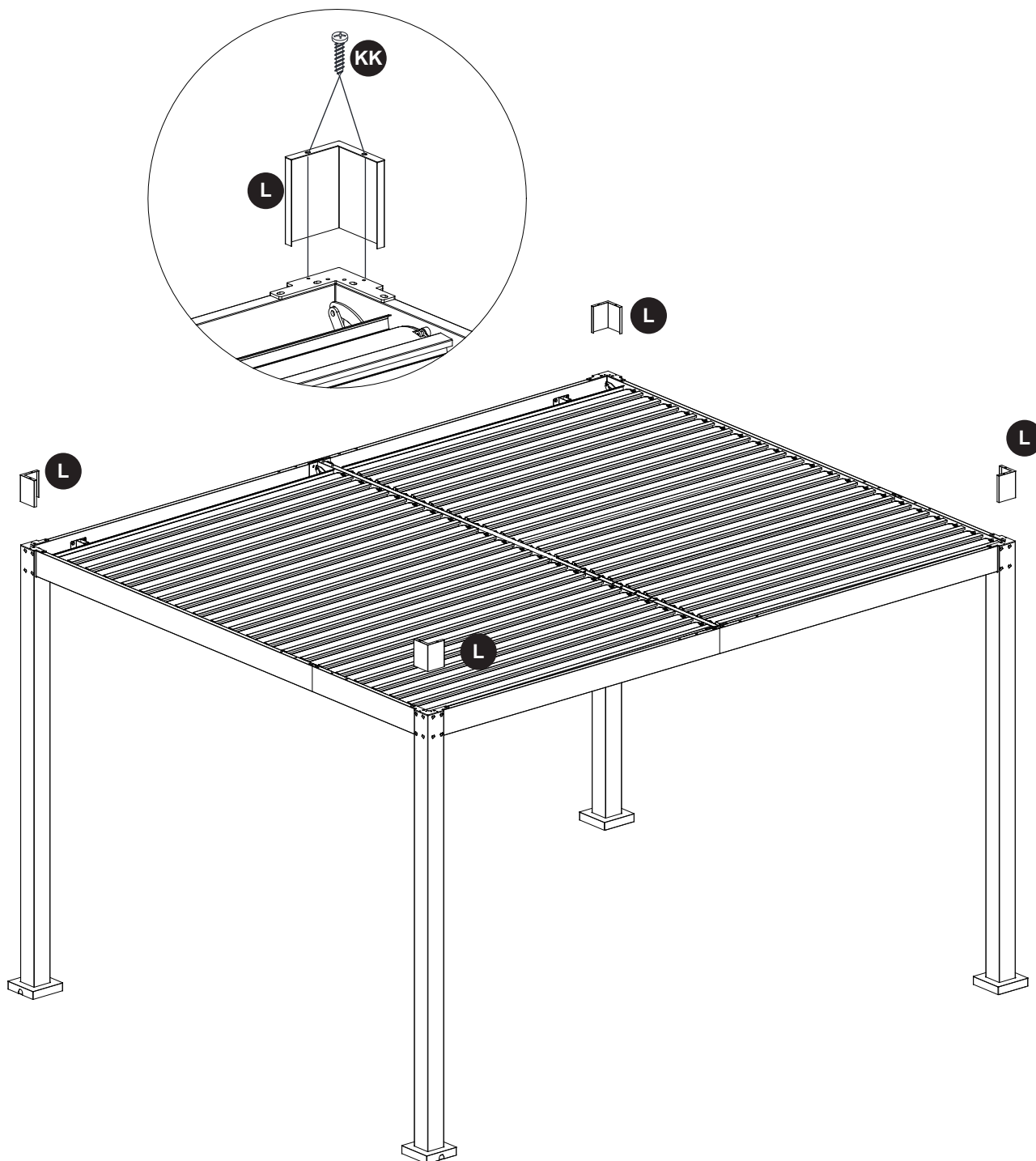
Tips: Align the holes for the two ends of the Louvers(G) first, then tighten the Bolts (DD) by using a power wrench



15. Connect the louver (G) to the lintels (D1/D2/D3/D4/E1/E2) and secure with the bolts (II).

16 Hardware Used

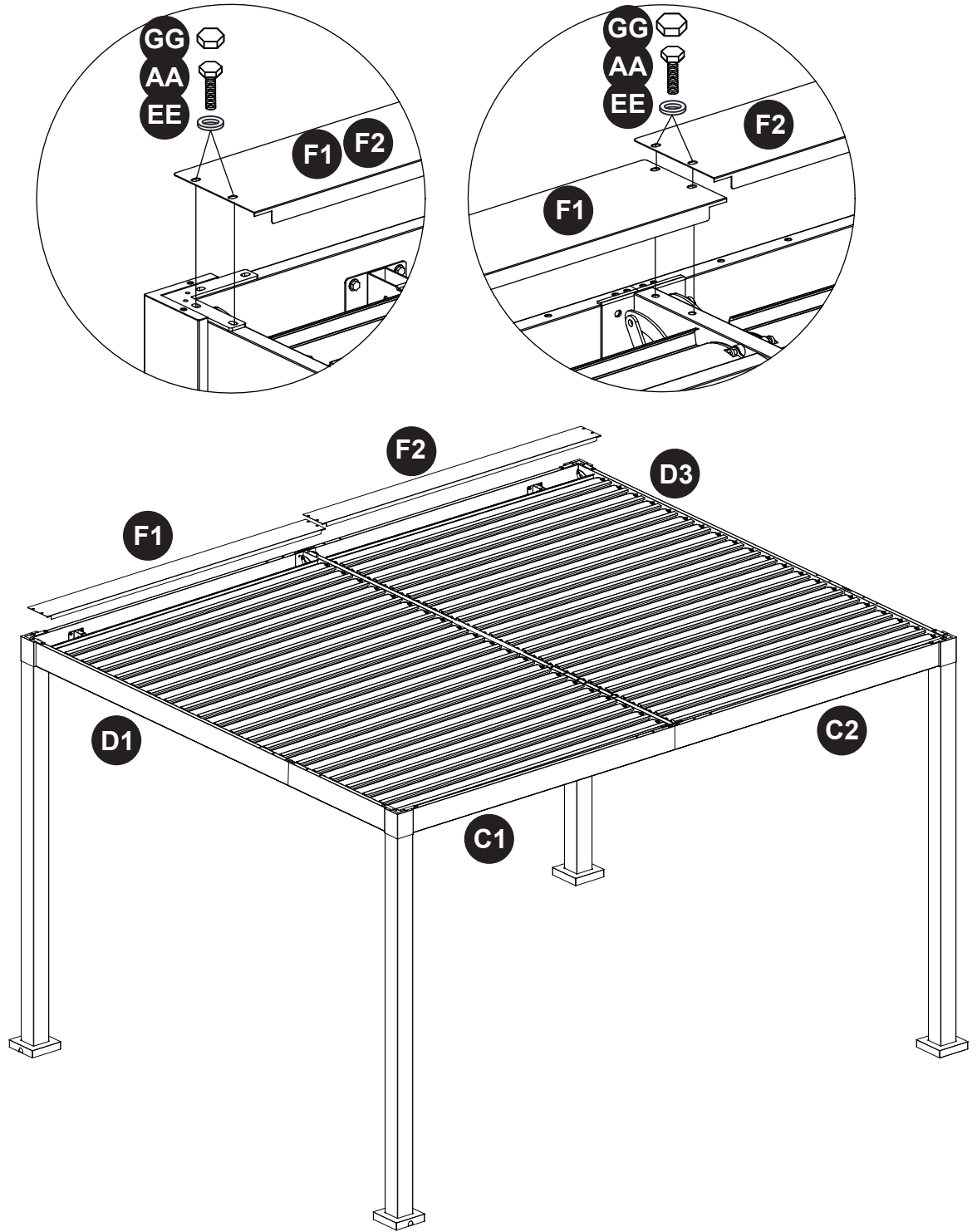
KK		x8	PP		x1
-----------	---	----	-----------	---	----



16. Connect the cover (L) and corner post (A), secure with bolt (KK).

17 Hardware Used

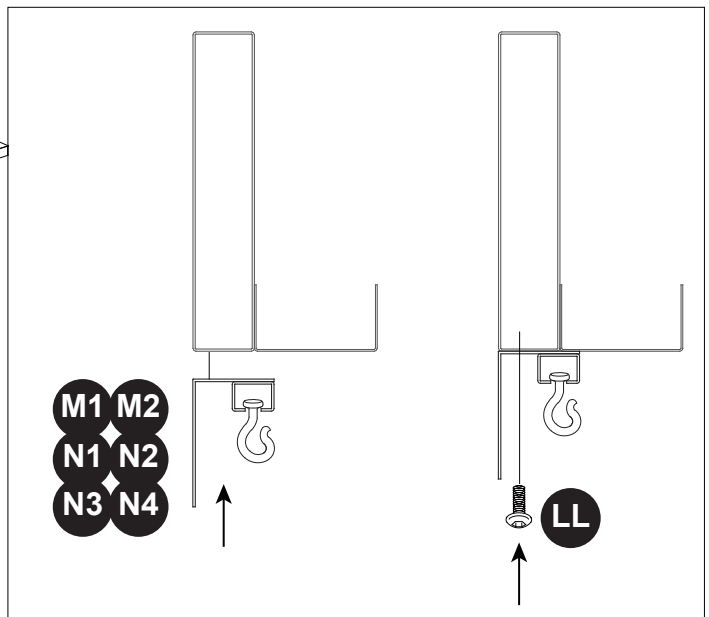
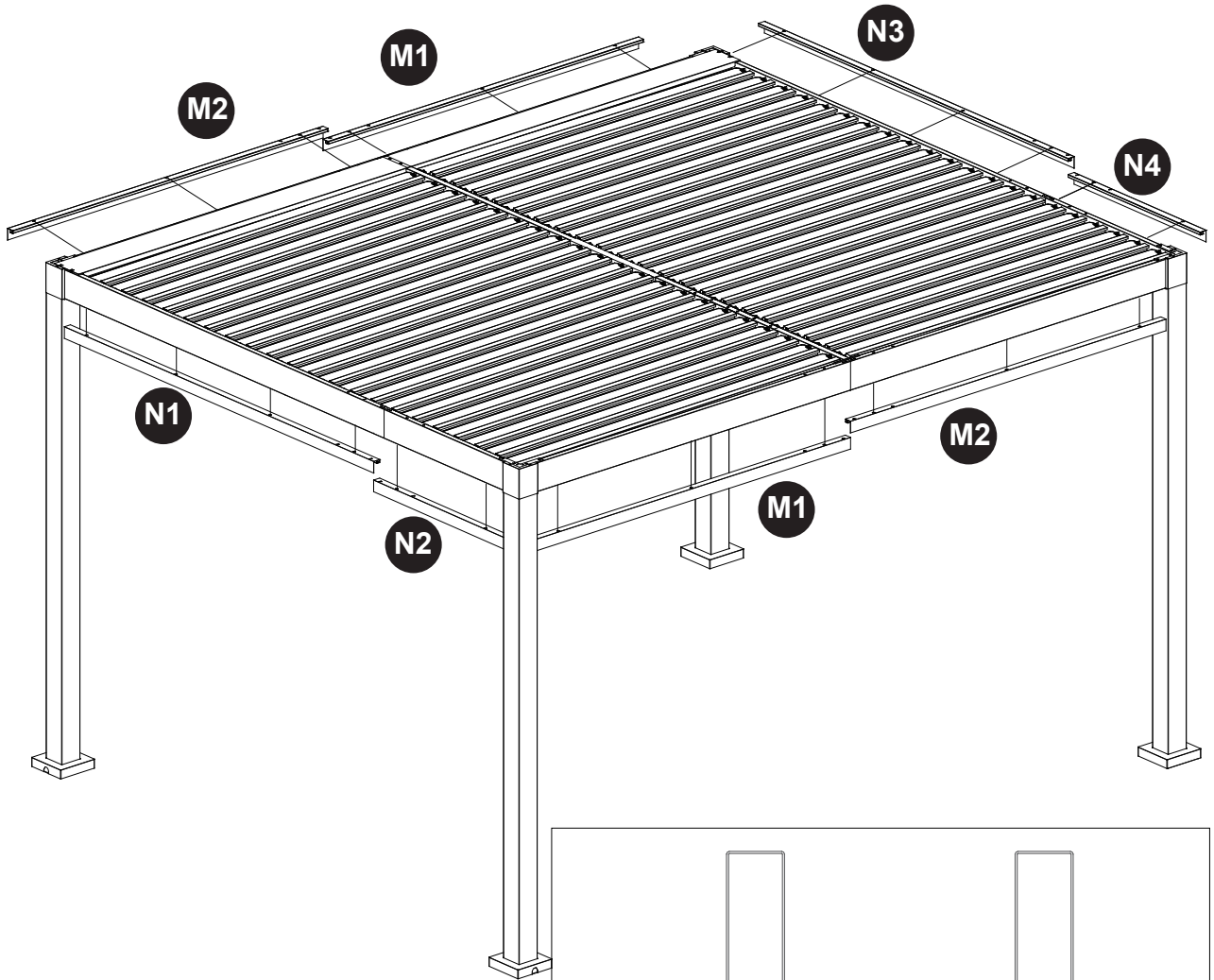
AA		x6	GG		x6
EE		x6	RR		x1



17. Connect the cover plate (F1/F2) to the lintels (D1/D3/E1), securing it with bolt / washer / cap (AA/EE/GG).

18 Hardware Used


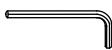

		x24		x1
---	---	-----	---	----

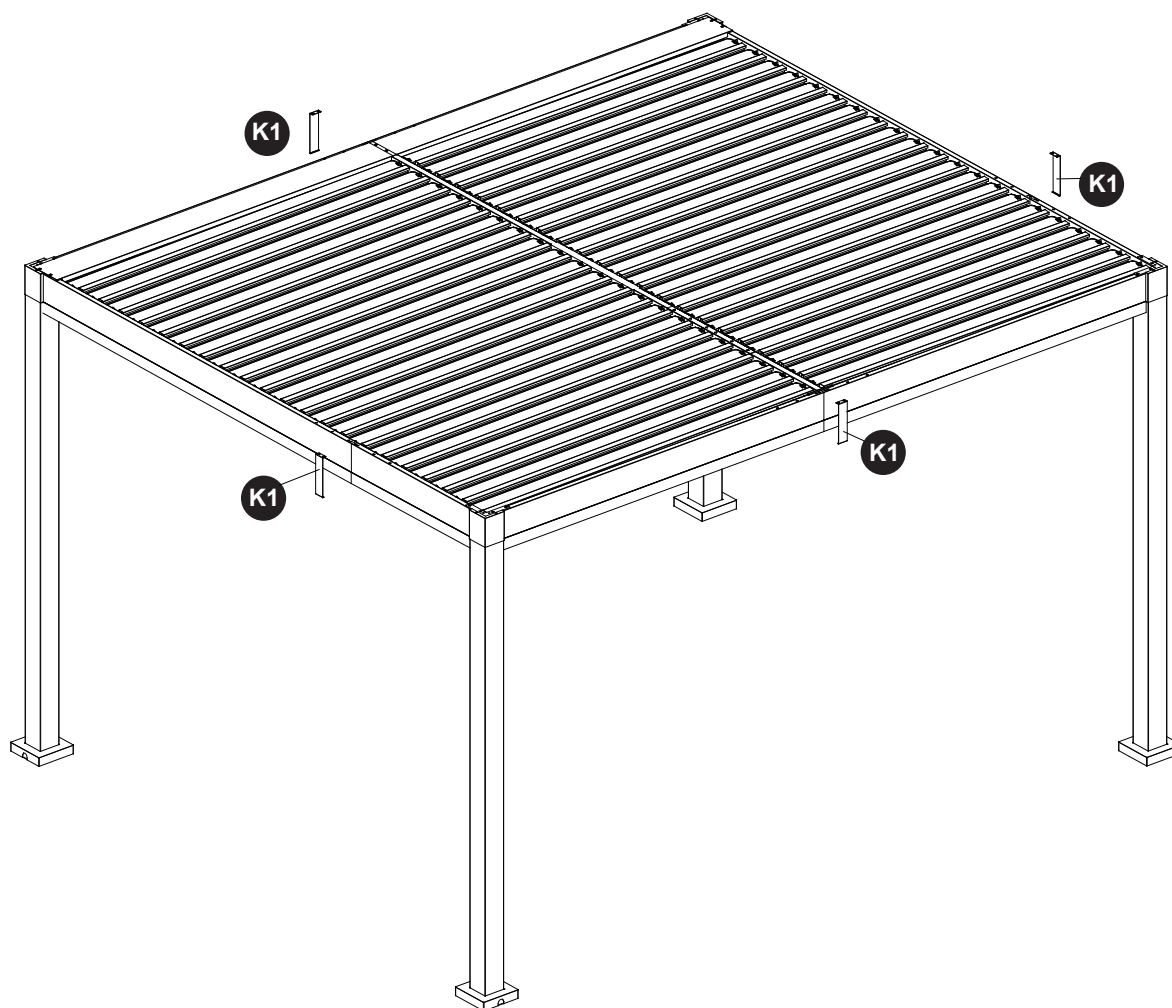
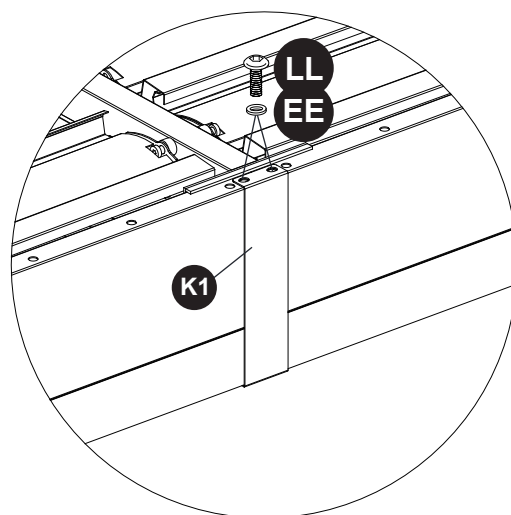
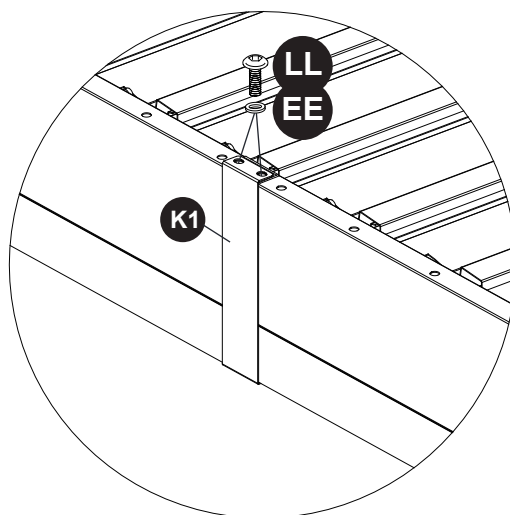


18. Connect the track tube (M1/M2/N1/N2/N3/N4) to the lintels (C1/C2/C3/C4/D1/D2/D3/D4), securing it with bolt (LL).

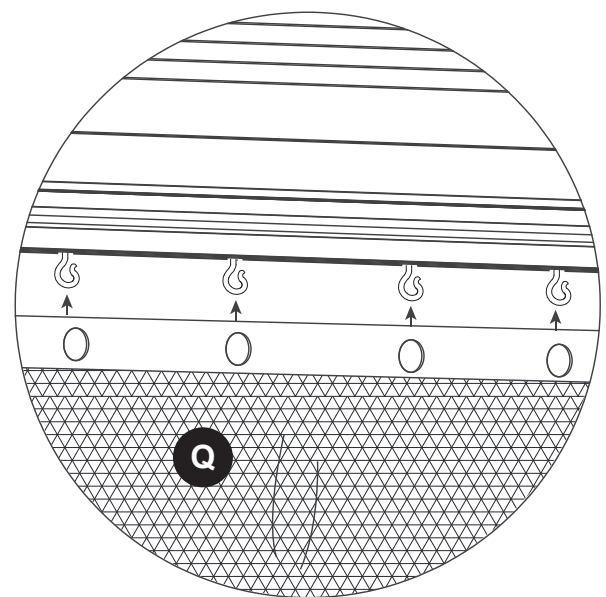
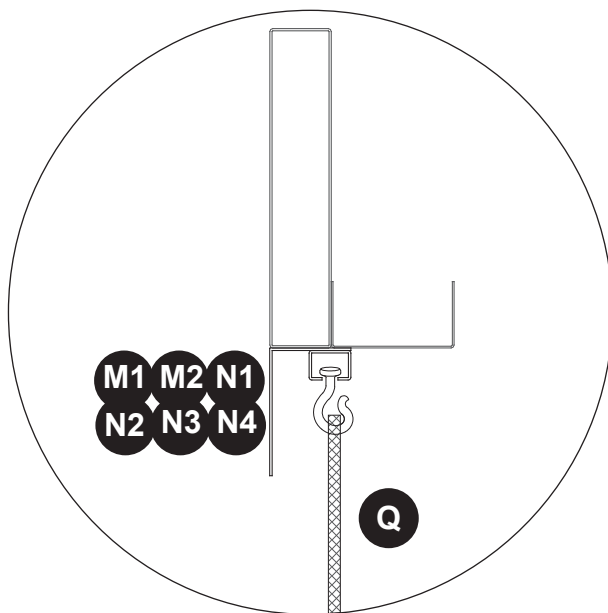
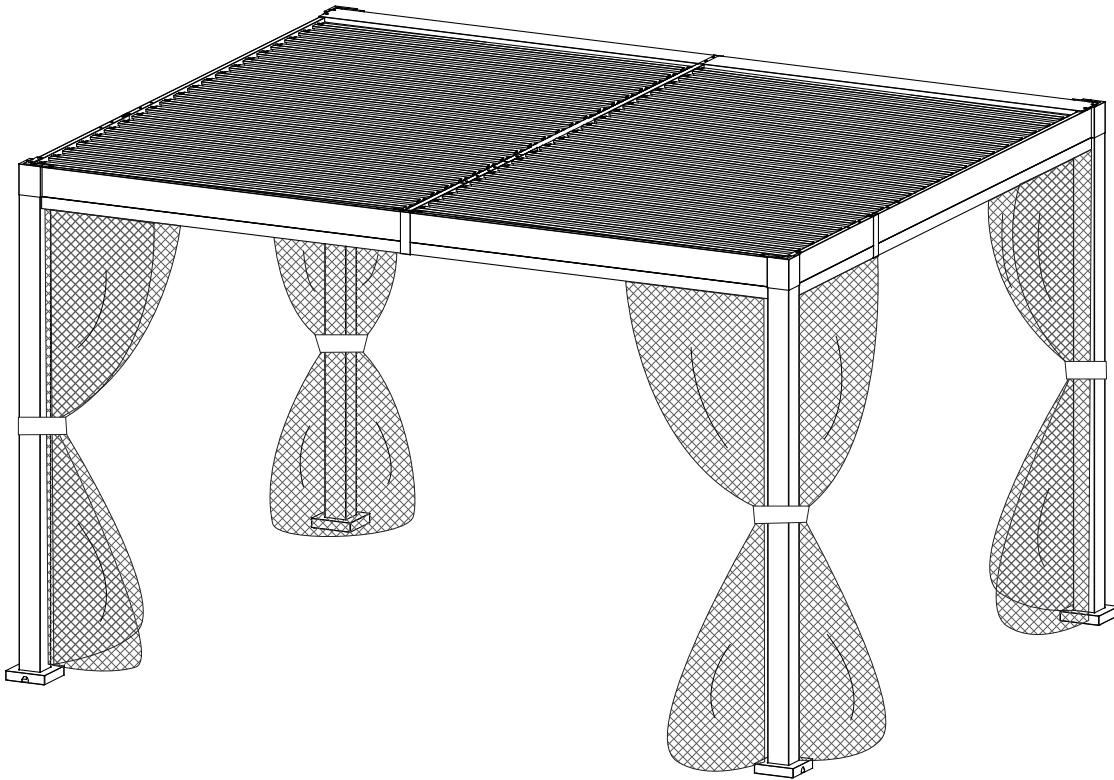
INSTALLATION INSTRUCTIONS

19 Hardware Used

LL		x8	OO		x1
EE		x8			



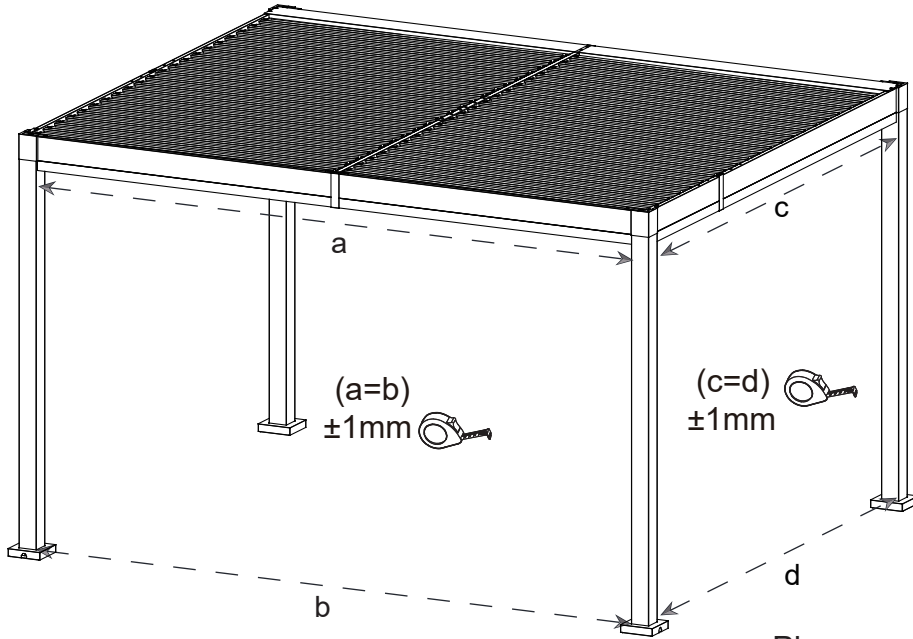
19. Connect the cover (K1) to the lintels (C1/C2/C3/C4/D1/D2/D3/D4), securing it with bolt / washer (LL/EE).



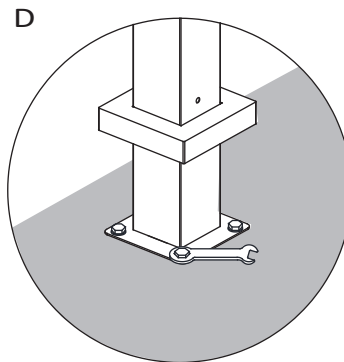
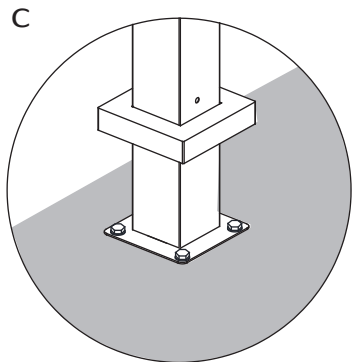
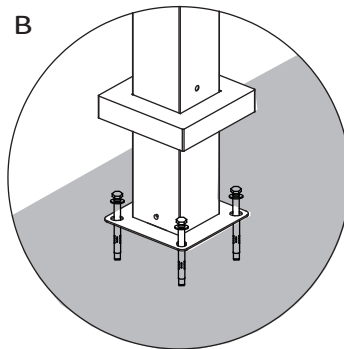
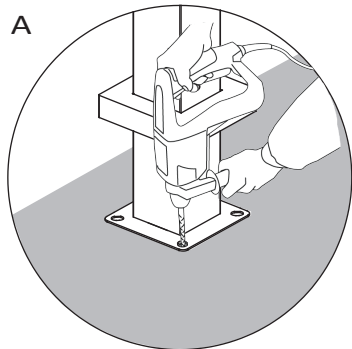
20. Hang the mosquito net (Q) onto the hooks of the track tube (M1/M2/N1/N2/N3/N4).

21 Hardware Used

		<p>x16</p>			<p>x1</p>
---	---	------------	---	---	-----------



Please note that both a and b, and c and d should be flushed and parallel with each other after assembly. Tolerances must be controlled within ± 1 mm.



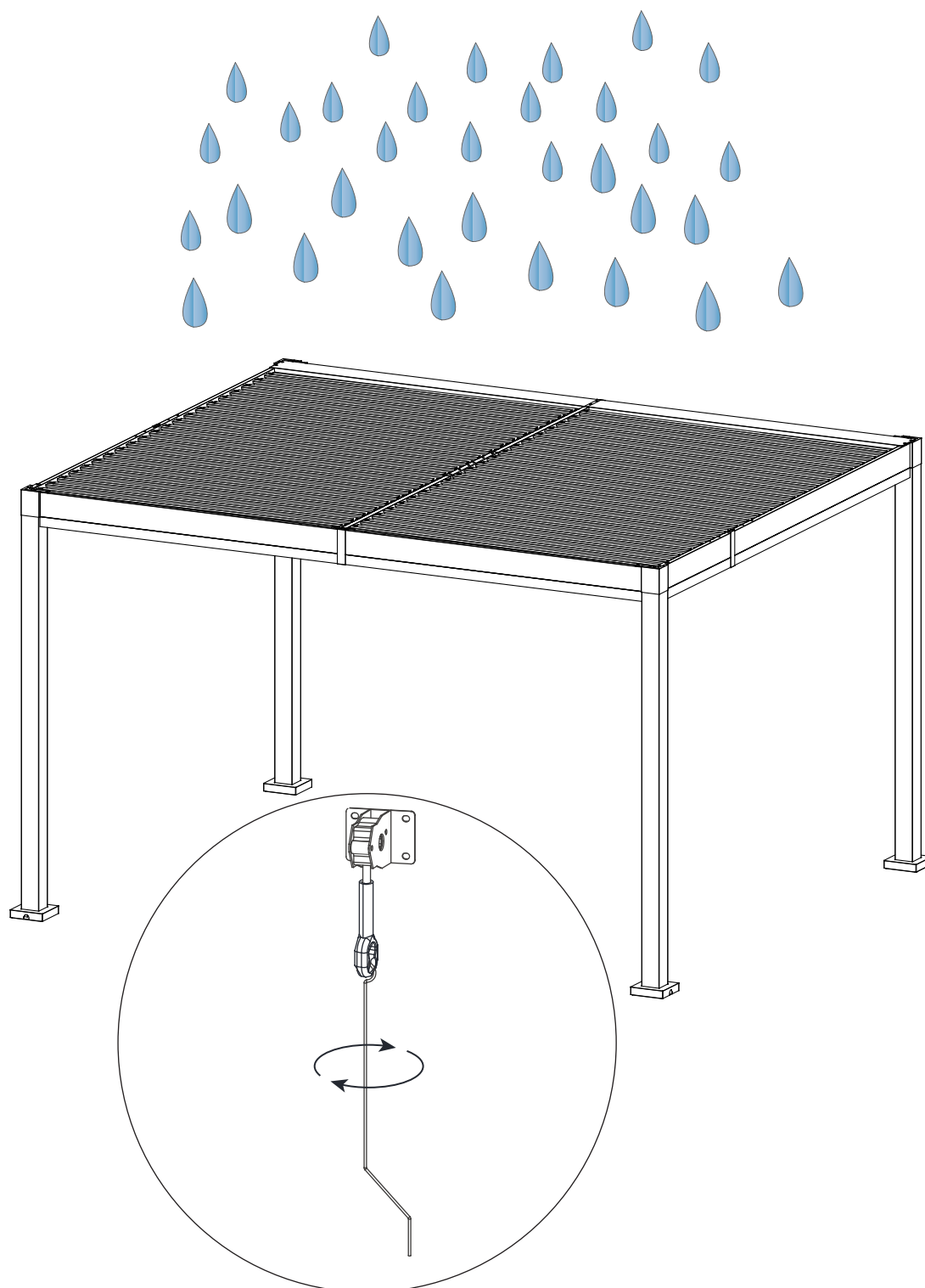
21. Secure the pergola on the ground by using expansion anchor (JJ).

INSTALLATION INSTRUCTIONS

Warm Tips:

Attach the hand crank (P) to the spinner (I), then rotate to open or close the louvers. Ensure the louvers are fully closed when it begins to rain.

Note: Open louvers gently after rainfall to allow any remaining water to drain safely. It is recommended to open the louvers to a vertical position during snowfall in winter to prevent heavy snow accumulation from affecting their service life.



CARE AND MAINTENANCE

- For cleaning, use a mild detergent solution, rinse with water, and allow to air dry. Do not use acetone, abrasive, or other special detergents as they would be harmful to the product's finish.
- Due to the nature of steel, surface oxidation (rusting) will occur if this protective coating is scratched. This is a natural process. To minimize this condition, it is recommended that care be taken when assembling and handling the product in order to prevent the paint from being scratched.

WARRANTY

1 YEAR WARRANTY FOR FRAME AND FABRIC.

- **WHAT IS COVERED**

We provide warranty to the original purchase for 1 year for frame and fabric from the date of purchase, and the fabric and frame will be replaced at no charge due to manufacturing defects.

- **WHAT IS NOT COVERED**

We do not reimburse for transportation costs. This warranty does not cover the damage caused by commercial use, acts of nature, fire, freezing, and abusive use. Discoloration or fading of the finish or fabrics as a result of chemicals or spills is not covered.

Contact the Customer Service Team at 866-439-9800.

REPLACEMENT PARTS LIST (NOT TO SCALE)

For replacement parts, call our customer service department at **866-439-9800**, 8 a.m. - 8 p.m., EST, Monday - Sunday. You could also contact us at ascs@lowes.com.

PART	DESCRIPTION	PART#	COVERED UNDER WARRANTY
A	Post	6034650-A	YES
B1	Base Cover	6034650-B1	YES
B2	Base	6034650-B2	YES
C1	Front Lintel	6034650-C1	YES
C2	Front Lintel	6034650-C2	YES
C3	Rear Lintel	6034650-C3	YES
C4	Rear Lintel	6034650-C4	YES
D1	Left Lintel	6034650-D1	YES
D2	Left Lintel	6034650-D2	YES
D3	Right Lintel	6034650-D3	YES
D4	Right Lintel	6034650-D4	YES
E1	Middle Lintel	6034650-E1	YES
E2	Middle Lintel	6034650-E2	YES
F1	Cover Plate	6034650-F1	YES
F2	Cover Plate	6034650-F2	YES
G	Rotating Louver Blade	6034650-G	YES
H1	Connecting Rod	6034650-H1	YES
H2	Connecting Rod	6034650-H2	YES
I	Turbine	6034650-I	YES
J1	Connector	6034650-J1	YES
J2	Connector	6034650-J2	YES
J3	Connector	6034650-J3	YES
K1	Cover	6034650-K1	YES
L	Cover	6034650-L	YES
M1	Track Tube	6034650-M1	YES
M2	Track Tube	6034650-M2	YES
N1	Track Tube	6034650-N1	YES
N2	Track Tube	6034650-N2	YES
N3	Track Tube	6034650-N3	YES
N4	Track Tube	6034650-N4	YES
O1	Hand Crank Connector	6034650-O1	YES
O2	Hand Crank Connector	6034650-O2	YES
P	Hand crank	6034650-P	YES
Q	Mosquito nets	6034650-Q	YES
R1	Waterproof Strip	6034650-R1	YES
R2	Waterproof Strip	6034650-R2	YES
R3	Waterproof Strip	6034650-R3	YES
AA-WW	Hardware Kit	6034650-AA-WW	YES