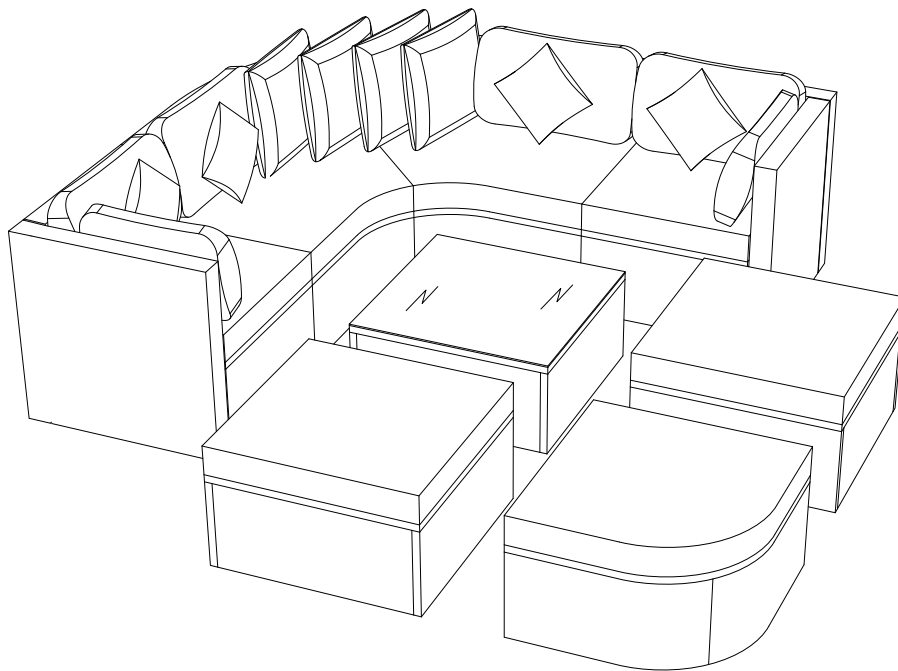


# ASSEMBLY INSTRUCTION

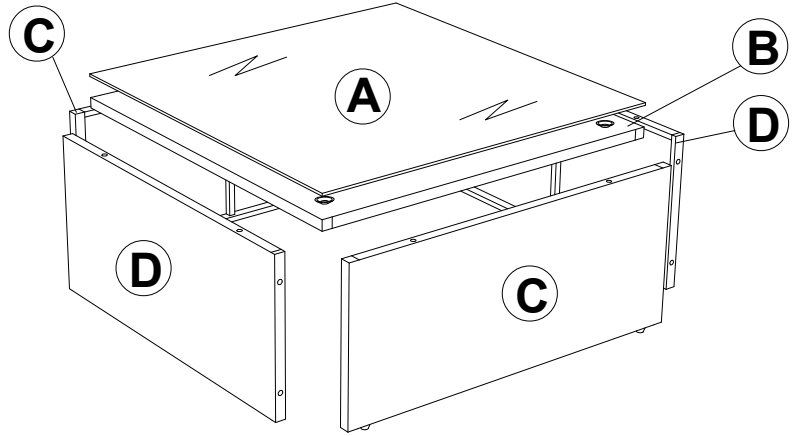
## PATIO FURNITURE SETS



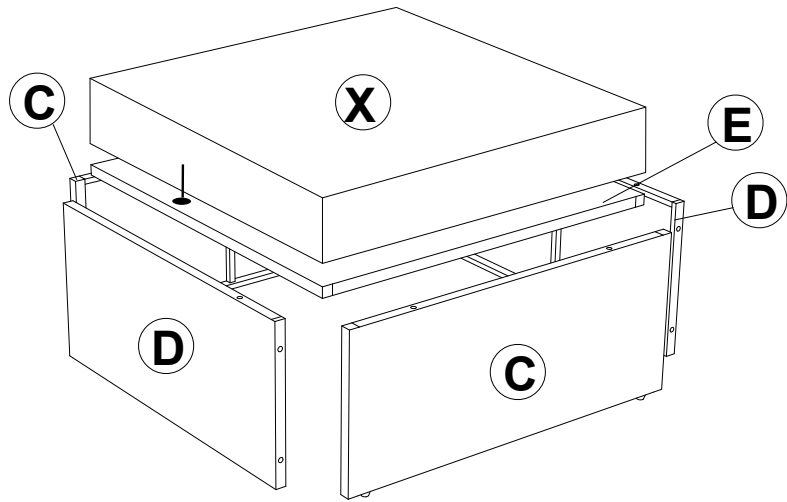
### WF318759; WF318760; WF318761 WF318762; WF318763

**Notice:**

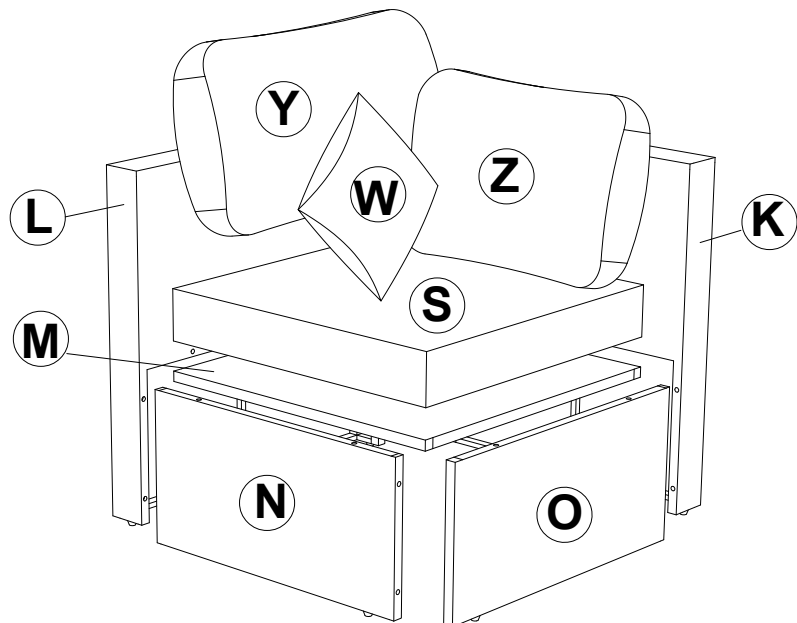
1. 50% Tighten before fixing all screws, Allen wrench is
2. Place the item on a flat ground to adjust and make sure it remains stable.
3. Tighten up all screws with tools gradually.
4. If the screws are not aligned with holes during assembly, please loosen all the other screws to 50% and continue the assembly process.
5. If the item is not stable, please loosen all the screws, adjust it on a flat ground and tighten up all screws again.
6. Note : If one or some screws are fully tightened during assembly, chances are the others will not be aligned with holes. In addition, all the holes are designed to be relatively larger to provide more space for the adjustment of the screws.



**x1**

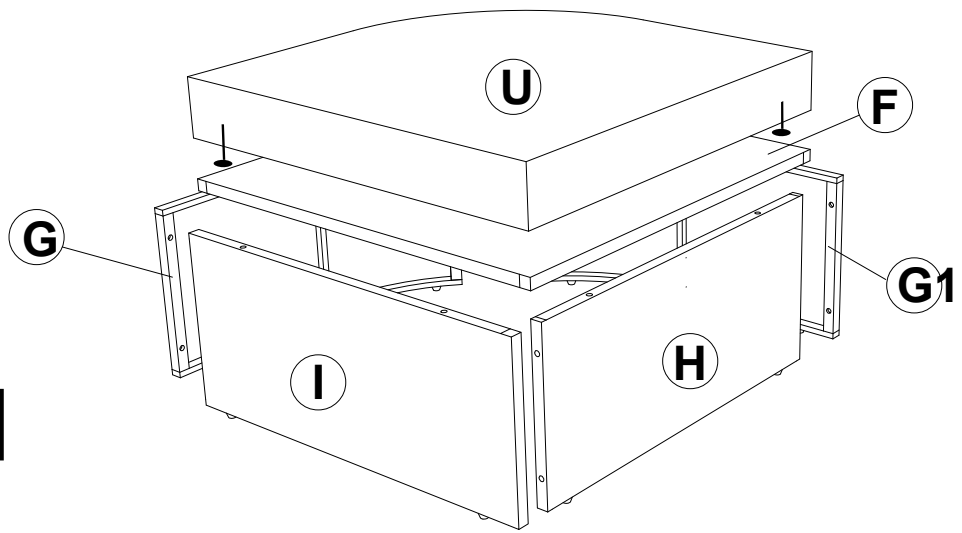


**x2**

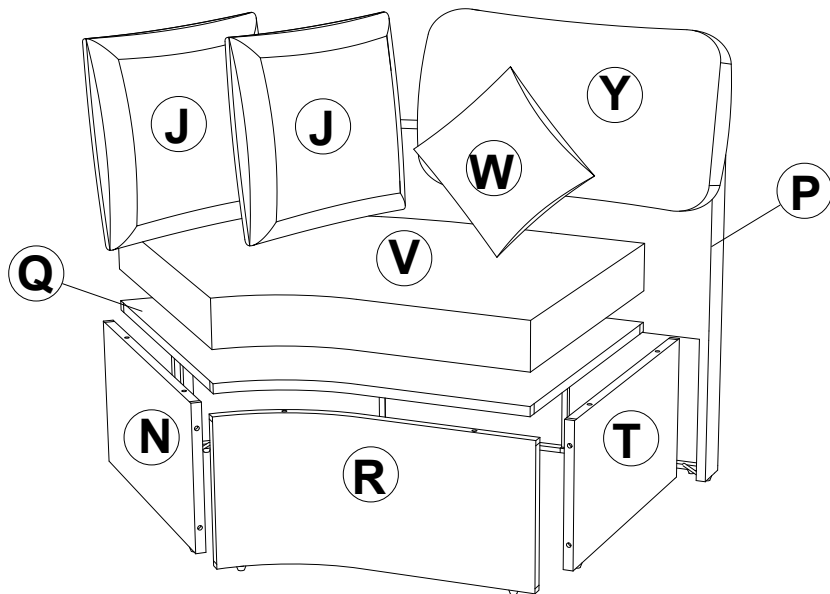


**x2**

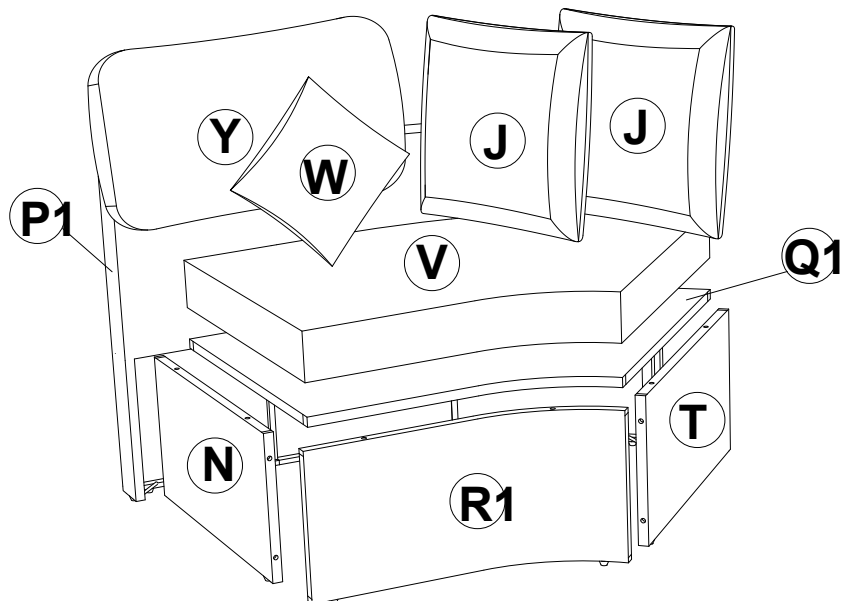
**x1**



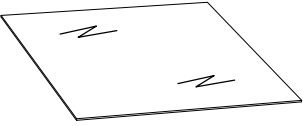
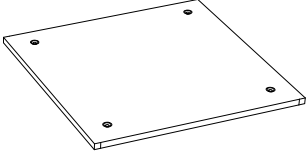
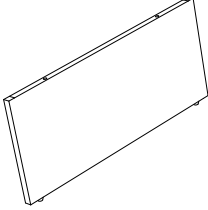
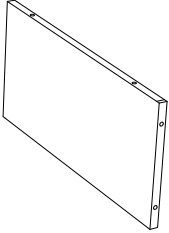
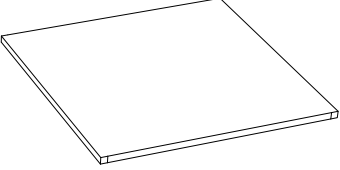
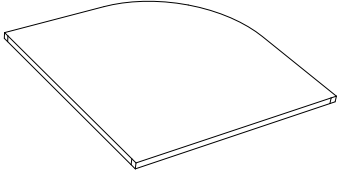
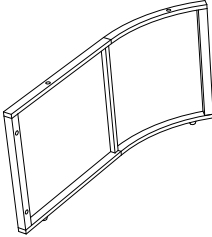
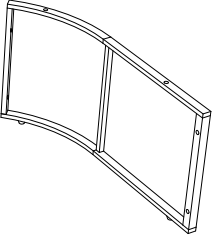
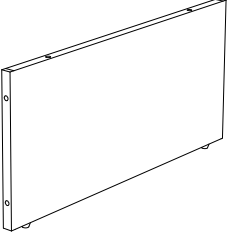
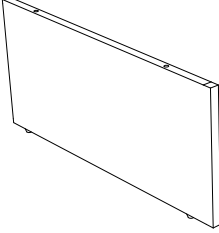
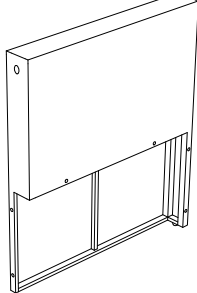
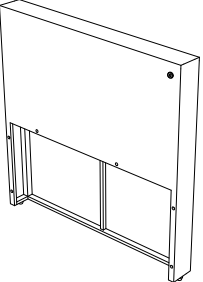
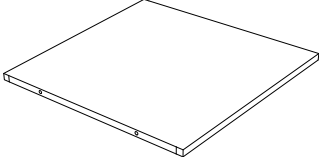
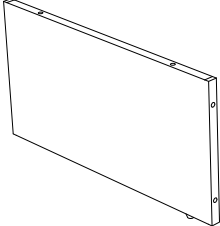
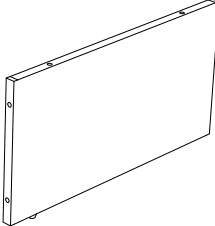
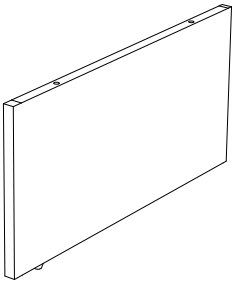
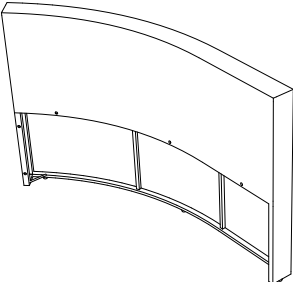
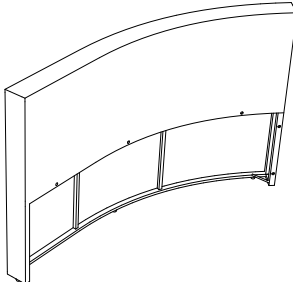
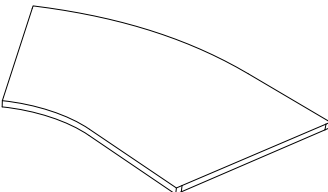
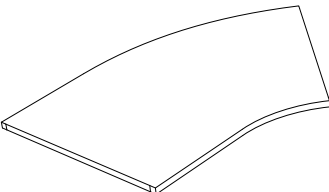
**x1**



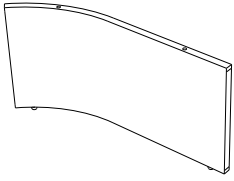
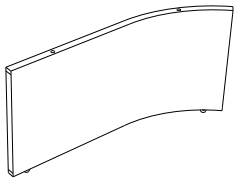
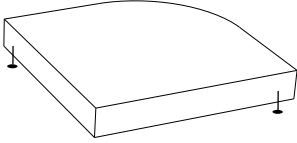
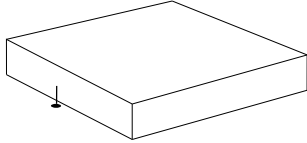
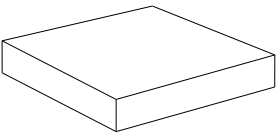
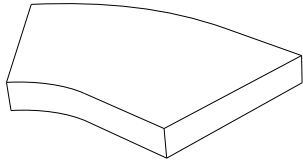
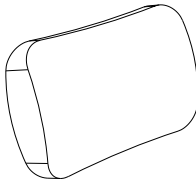
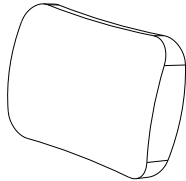
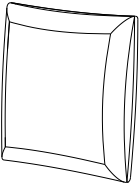
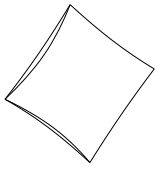
**x1**



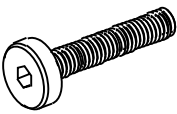
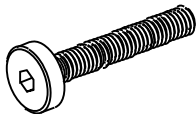

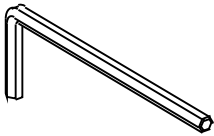
# Part List :

<p><b>A</b></p>  <p><b>Glass Top (1 pc)</b></p>	<p><b>B</b></p>  <p><b>Top Table (1 pc)</b></p>	<p><b>C</b></p>  <p><b>Side Table Leg 1 (6 pcs)</b></p>	<p><b>D</b></p>  <p><b>Side Table Leg 2 (6 pcs)</b></p>
<p><b>E</b></p>  <p><b>Square Stool Seat (2 pc)</b></p>	<p><b>F</b></p>  <p><b>Curve Stool Seat (1 pc)</b></p>	<p><b>G</b></p>  <p><b>Left Curve Leg (1 pc)</b></p>	<p><b>G1</b></p>  <p><b>Right Curve Leg (1 pc)</b></p>
<p><b>H</b></p>  <p><b>Straight Leg 1 (1 pc)</b></p>	<p><b>I</b></p>  <p><b>Straight Leg 2 (1 pc)</b></p>	<p><b>K</b></p>  <p><b>Armless Corner (2 pcs)</b></p>	<p><b>L</b></p>  <p><b>Back Corner (2 pcs)</b></p>
<p><b>M</b></p>  <p><b>Corner Seat (2 pcs)</b></p>	<p><b>N</b></p>  <p><b>Right Leg Chair (4 pcs)</b></p>	<p><b>T</b></p>  <p><b>Left Leg Chair (2 pcs)</b></p>	<p><b>O</b></p>  <p><b>Front Leg Corner (2 pcs)</b></p>
<p><b>P</b></p>  <p><b>Left Curve Back (1 pc)</b></p>	<p><b>P1</b></p>  <p><b>Right Curve Back (1 pc)</b></p>	<p><b>Q</b></p>  <p><b>Left Curve Seat (1 pc)</b></p>	<p><b>Q1</b></p>  <p><b>Right Curve Seat (1 pc)</b></p>

# Part List:

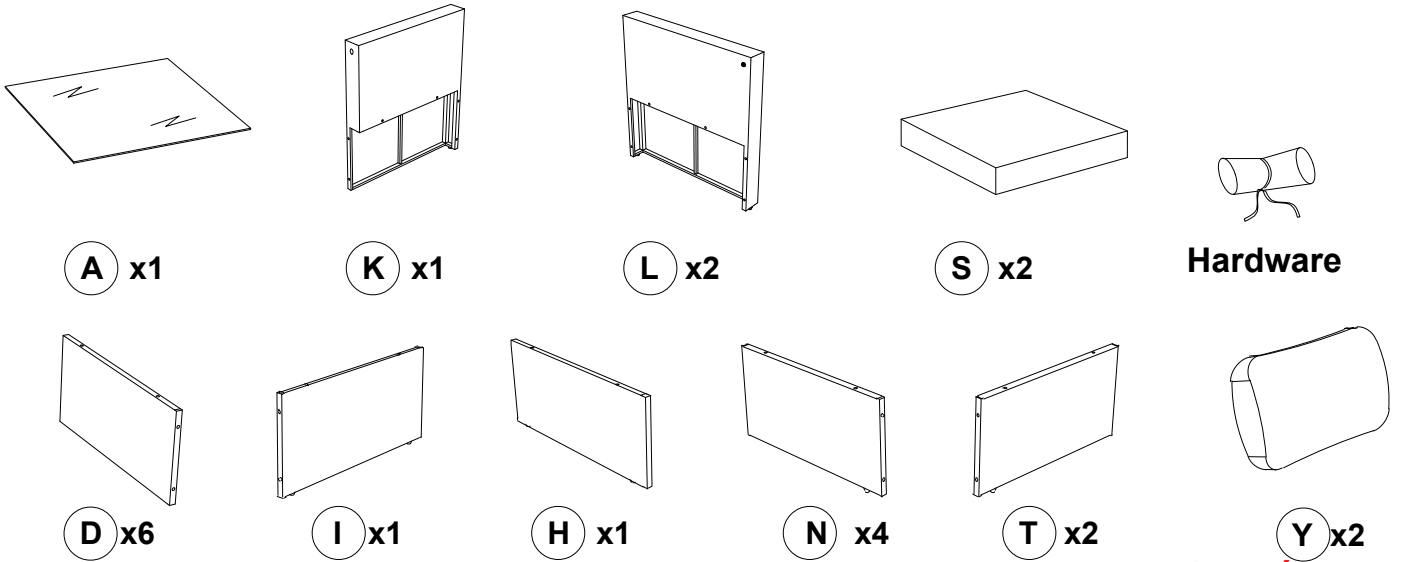
<p><b>R</b></p>  <p>Front Leg Left Curve (1 pc)</p>	<p><b>R1</b></p>  <p>Front Leg Right Curve (1 pc)</p>	<p><b>U</b></p>  <p>Curve Stool Cushion (1 pc)</p>	<p><b>X</b></p>  <p>Square Stool Cushion (2 pcs)</p>
<p><b>S</b></p>  <p>Square Seat Cushion (2 pcs)</p>	<p><b>V</b></p>  <p>Curve Seat Cushion (2 pcs)</p>	<p><b>Y</b></p>  <p>Big Back Cushion (4 pcs)</p>	<p><b>Z</b></p>  <p>Small Back Cushion (2 pcs)</p>
<p><b>J</b></p>  <p>Big Pillow (4 pcs)</p>	<p><b>W</b></p>  <p>Small Pillow (4 pcs)</p>		

# Hardware List :

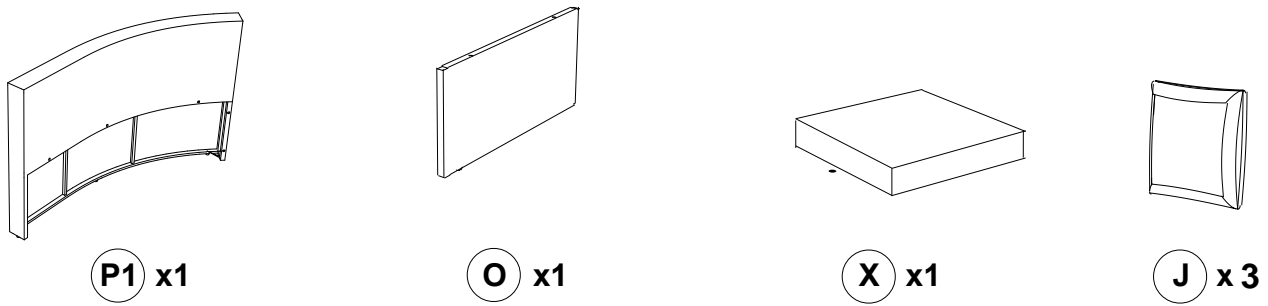
<p><b>1</b></p>  <p>Extra (6 pcs) Bolt M6x30 (114 pcs)</p>	<p><b>2</b></p>  <p>Extra (2 pcs) Bolt M6x35 (16 pcs)</p>	<p><b>3</b></p>  <p>Extra (6 pcs) Flat Washer M6 (130 pcs)</p>	<p><b>4</b></p>  <p>Allen Key (3 pcs)</p>

**CARTON CONTENT:**

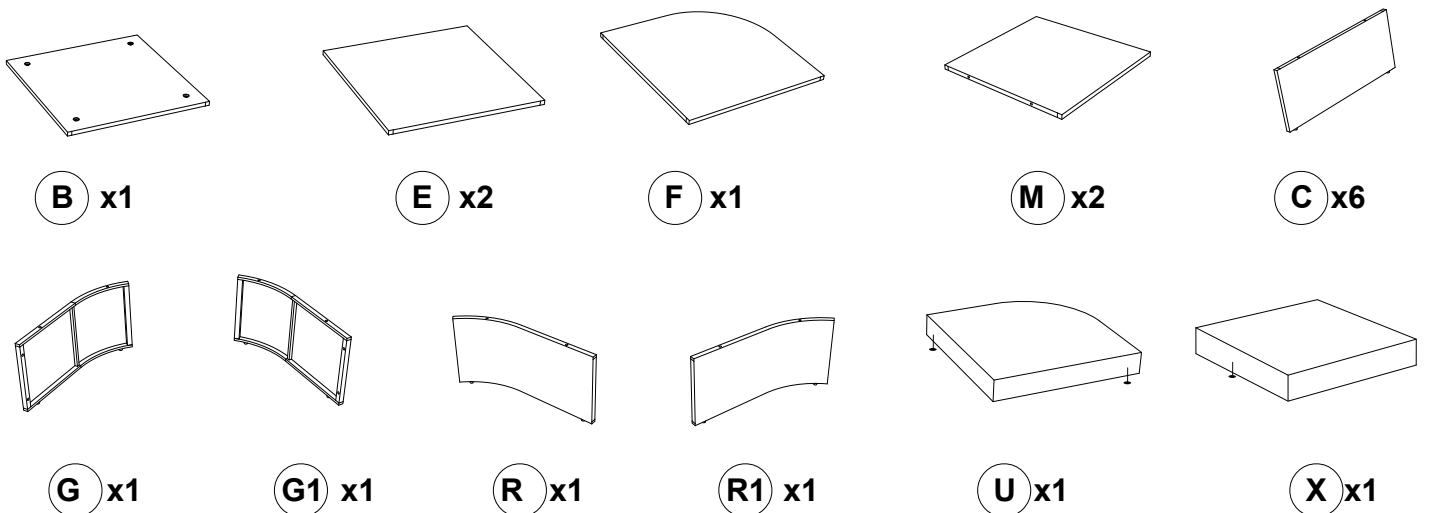
**WF318759**



**WF318760**

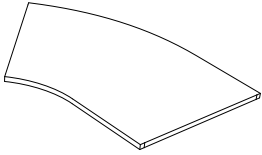


**WF318761**

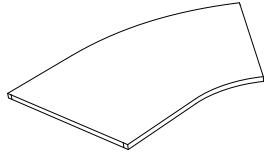


**CARTON CONTENT:**

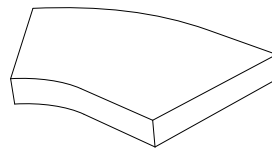
**WF318762**



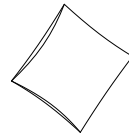
Q x1



Q1 x1

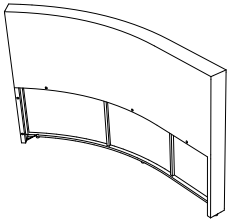


V x2

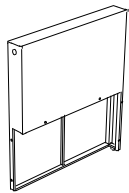


W x4

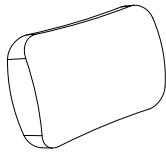
**WF318763**



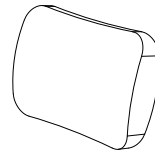
P x1



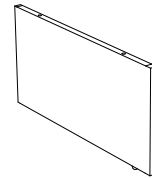
K x1



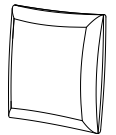
Y x2



Z x2



O x1



J x1

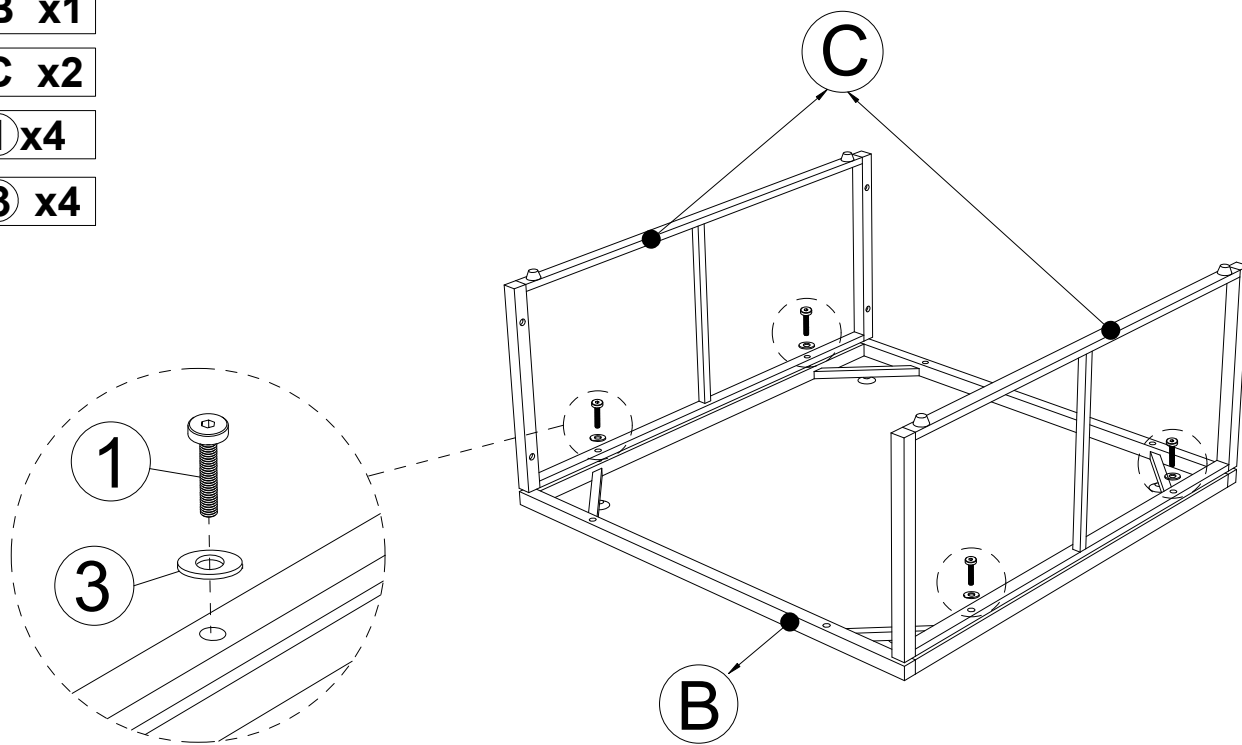
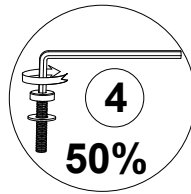
# STEP 1

B x1

C x2

① x4

③ x4



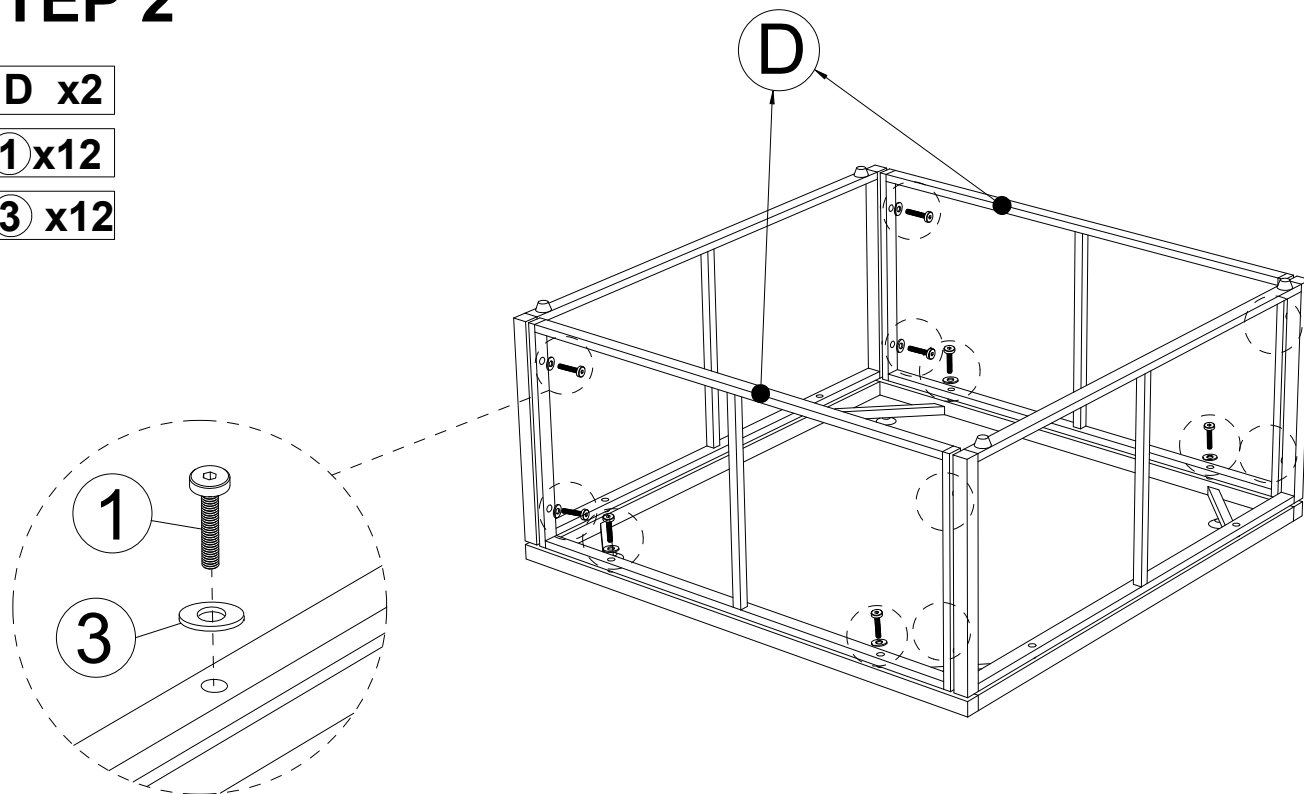
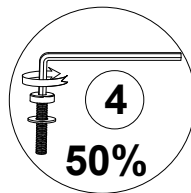
Connect Side Table Leg 1 (C) & Top Table (B), tighten Bolt (1) & Flat washer (3) with Allen Key (4).

# STEP 2

D x2

① x12

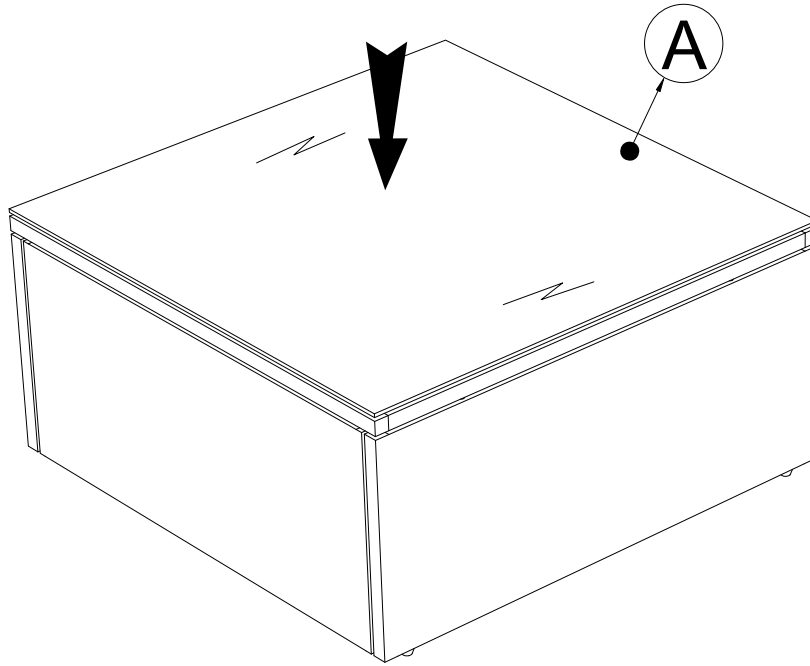
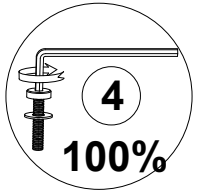
③ x12



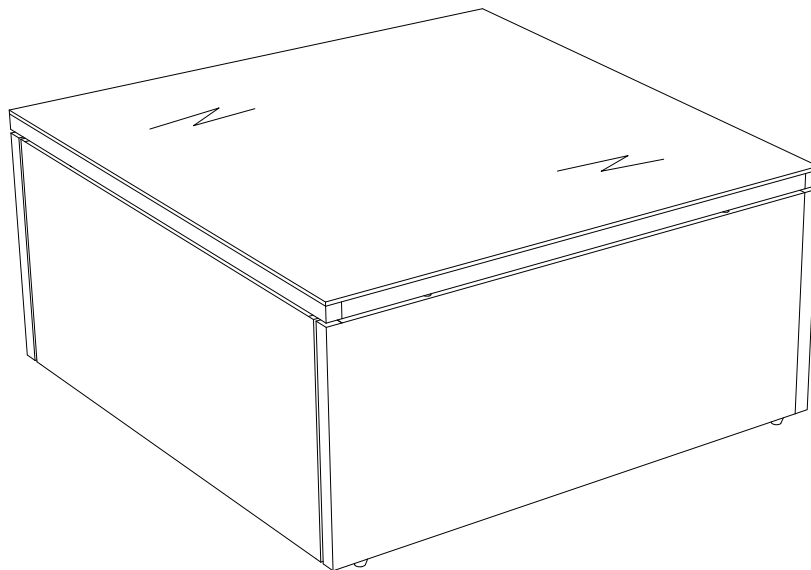
Connect the Part from Step 1 & Side Table Leg 2 (D), tighten Bolt (1) & Flat washer (3) with Allen Key (4).

# STEP 3

A x1



**Put The table upright, then firmly tighten Bolts with Allen Key (4).  
Set the Glass Top on the top to finish Table.**



**Finish Table.**

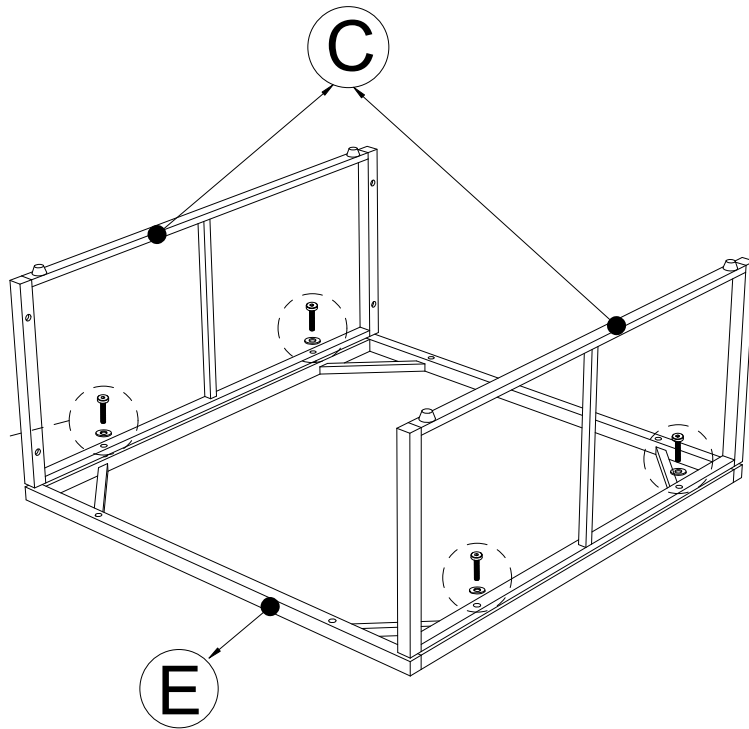
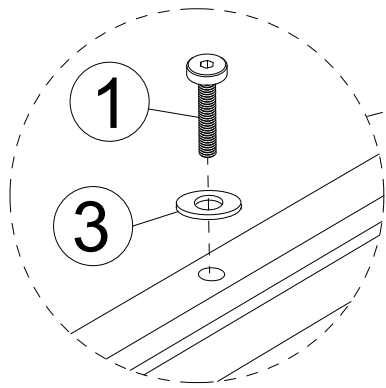
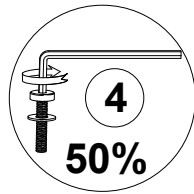
# STEP 4

E x1

C x2

① x4

③ x4



x2

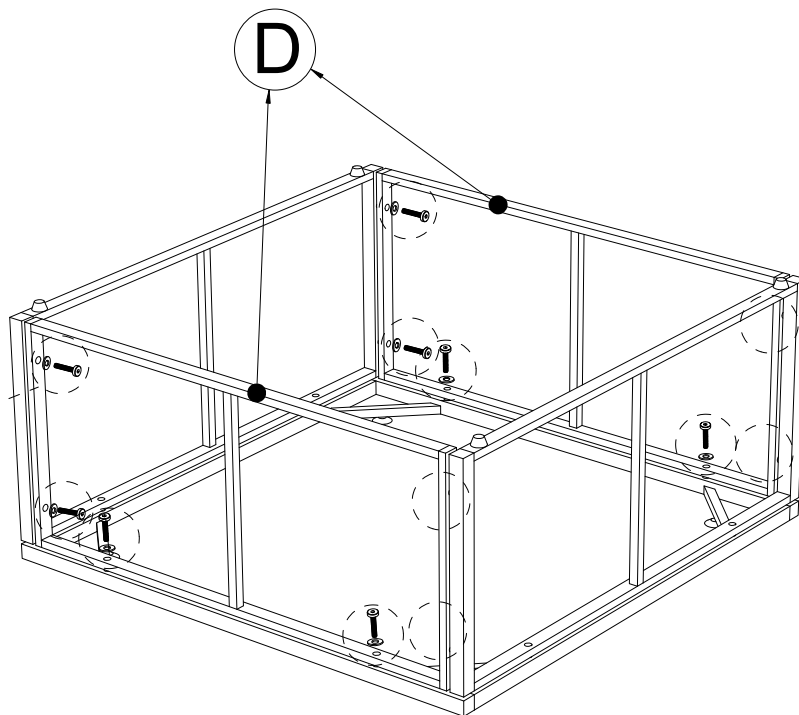
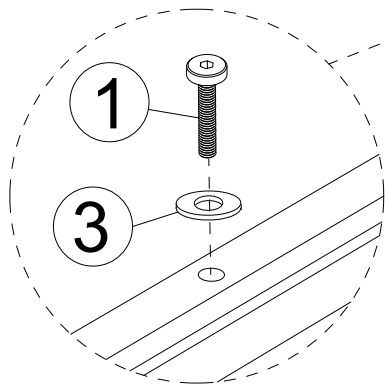
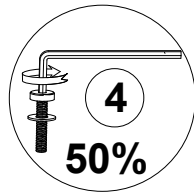
Connect Side Table Leg 1 (C) & Square Stool Seat (E), tighten Bolt (1) & Flat washer (3) with Allen Key (4).

# STEP 5

D x2

① x12

③ x12

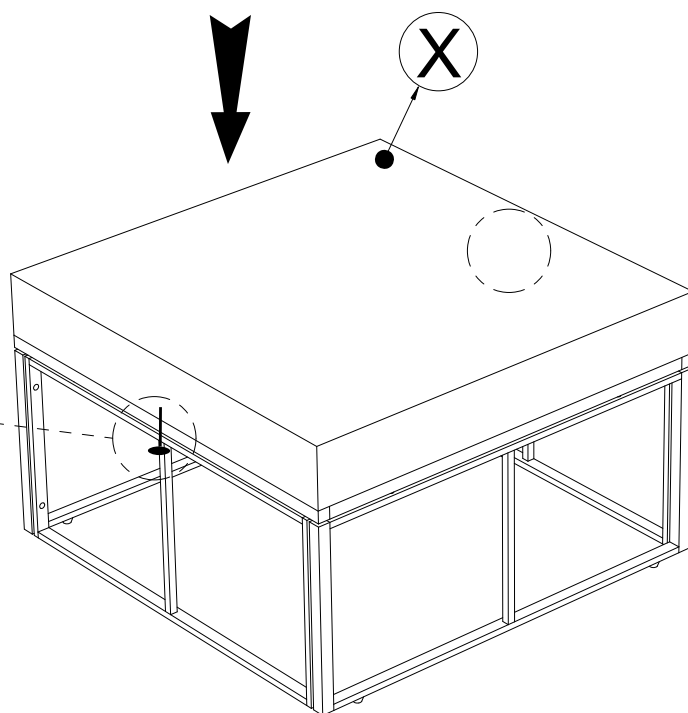
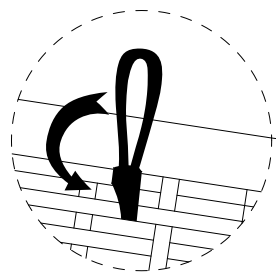
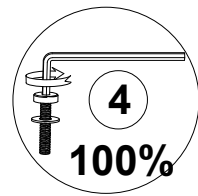


x2

Connect the Part from Step 4 & Side Table Leg 2 (D), tighten Bolt (1) & Flat washer (3) with Allen Key (4).

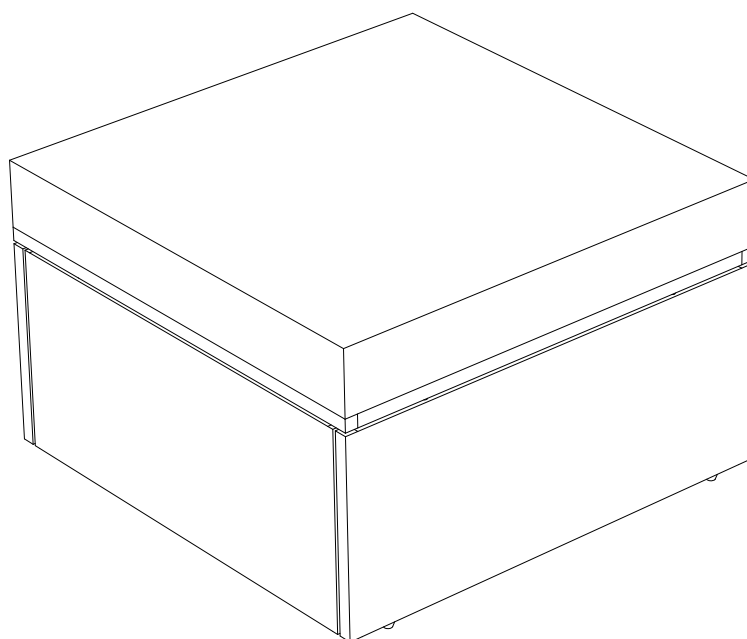
# STEP 6

X x1



x2

Put The stool upright, then firmly tighten Bolts with Allen Key (4).  
Put Seat Cushion (X) & Stick with plastic sharp on the sides to finish Square Stool.

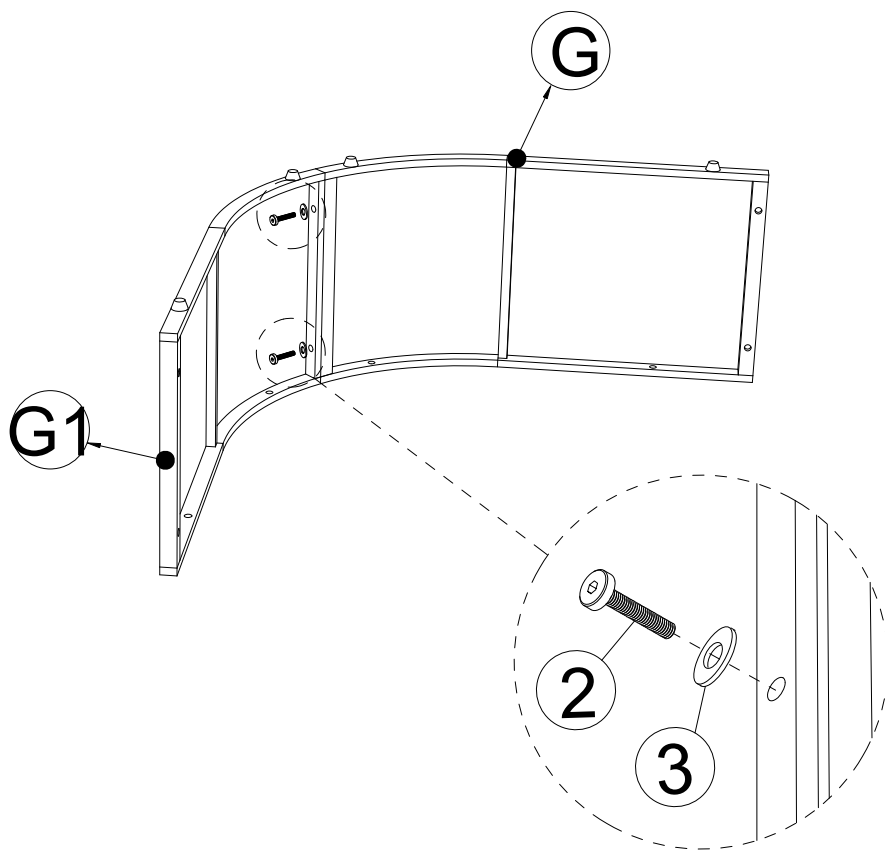


x2

Finish Square Stool.

# STEP 7

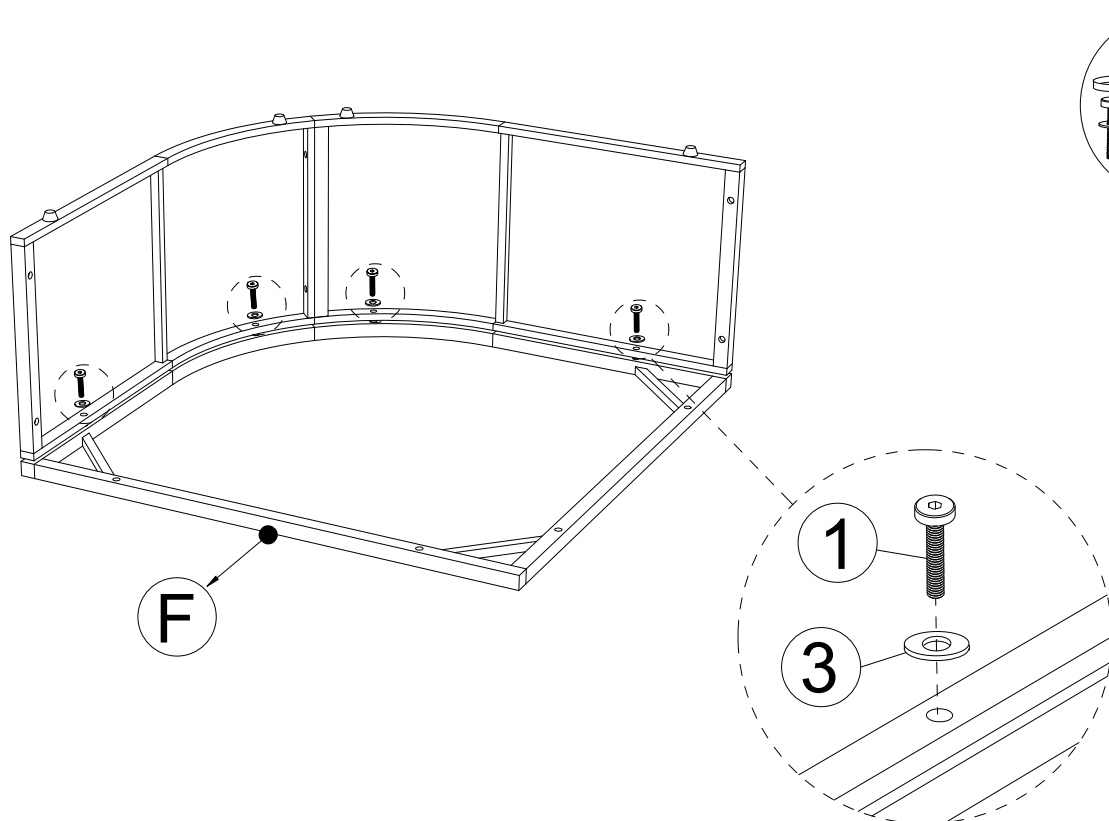
- G x1**
- G1 x1**
- 2 x2**
- 3 x2**



Connect the Curve Legs (G) & (G1), tighten Bolt (1) & Flat washer (3) with Allen Key (4).

# STEP 8

- F x1**
- 1 x4**
- 3 x4**



Connect the Part from Step 7 & Curve Stool Seat (F), tighten Bolt (1) & Flat washer (3) with Allen Key (4).

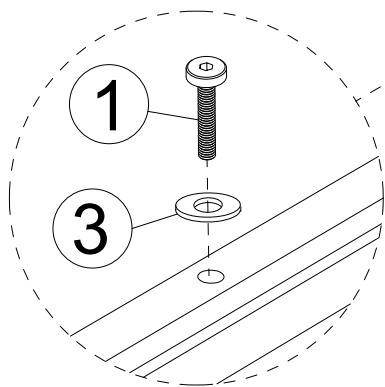
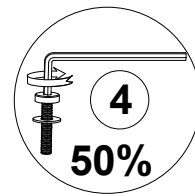
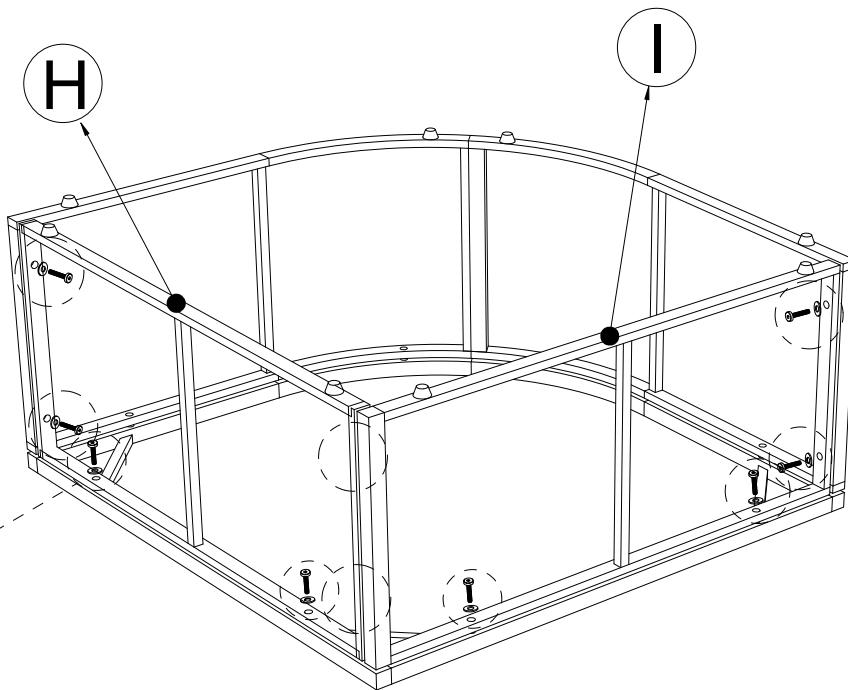
# STEP 9

H x1

I x1

① x10

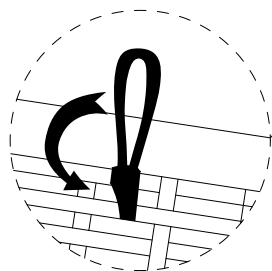
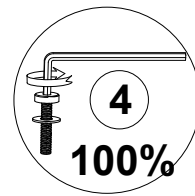
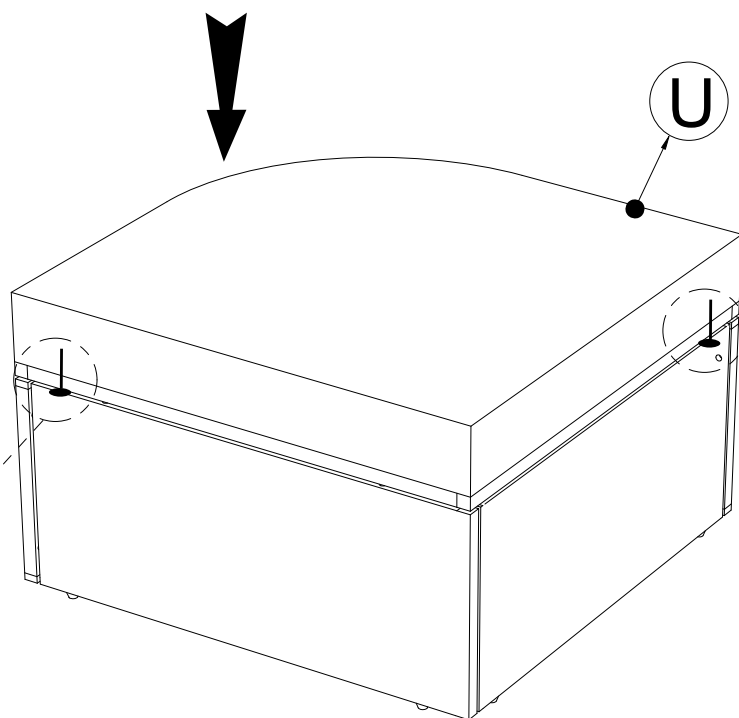
③ x10



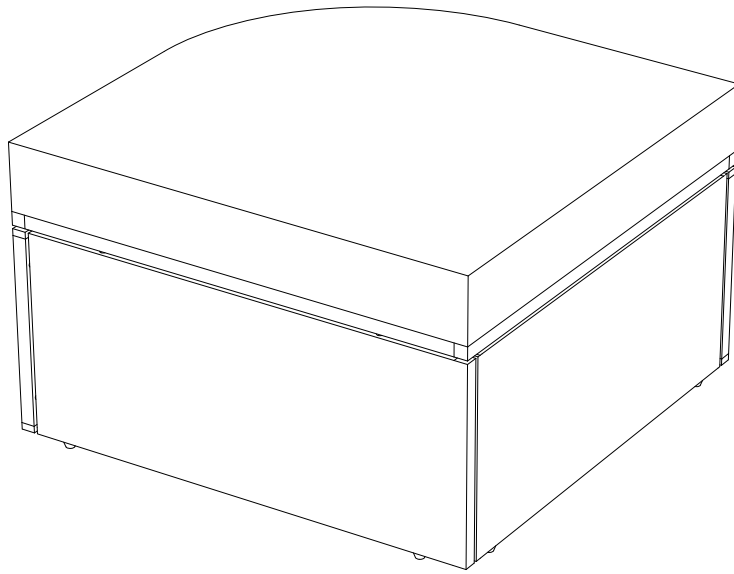
Connect the Part from Step 8, Straight Leg 1 (H) & 2 (I), tighten Bolt (1) & Flat washer (3) with Allen Key (4).

# STEP 10

U x1



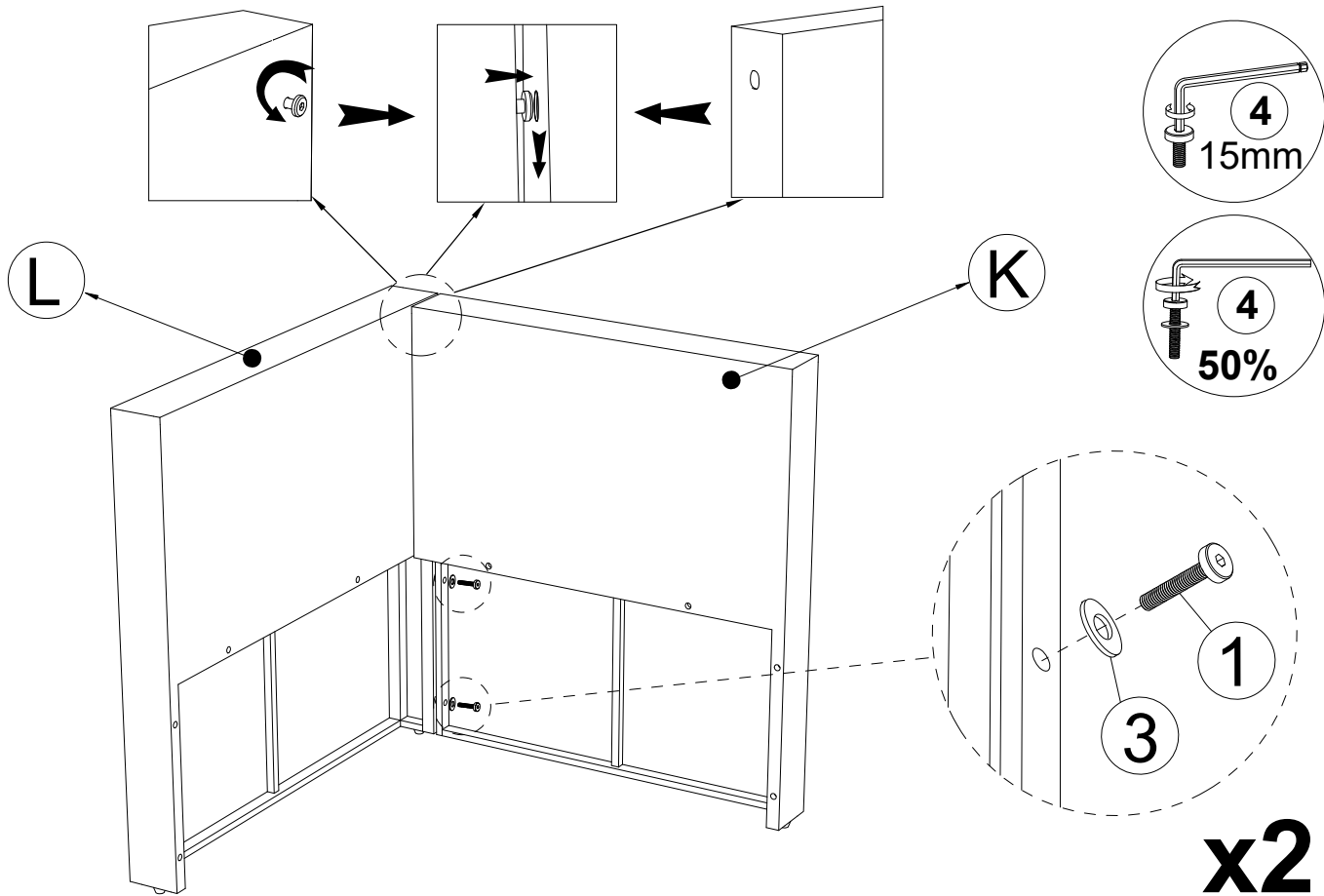
Put The stool upright, then firmly tighten Bolts with Allen Key (4).  
Put Seat Cushion (U) & Stick with plastic sharp on the sides to finish Curve Stool.



**Finish Curve Stool.**

# STEP 11

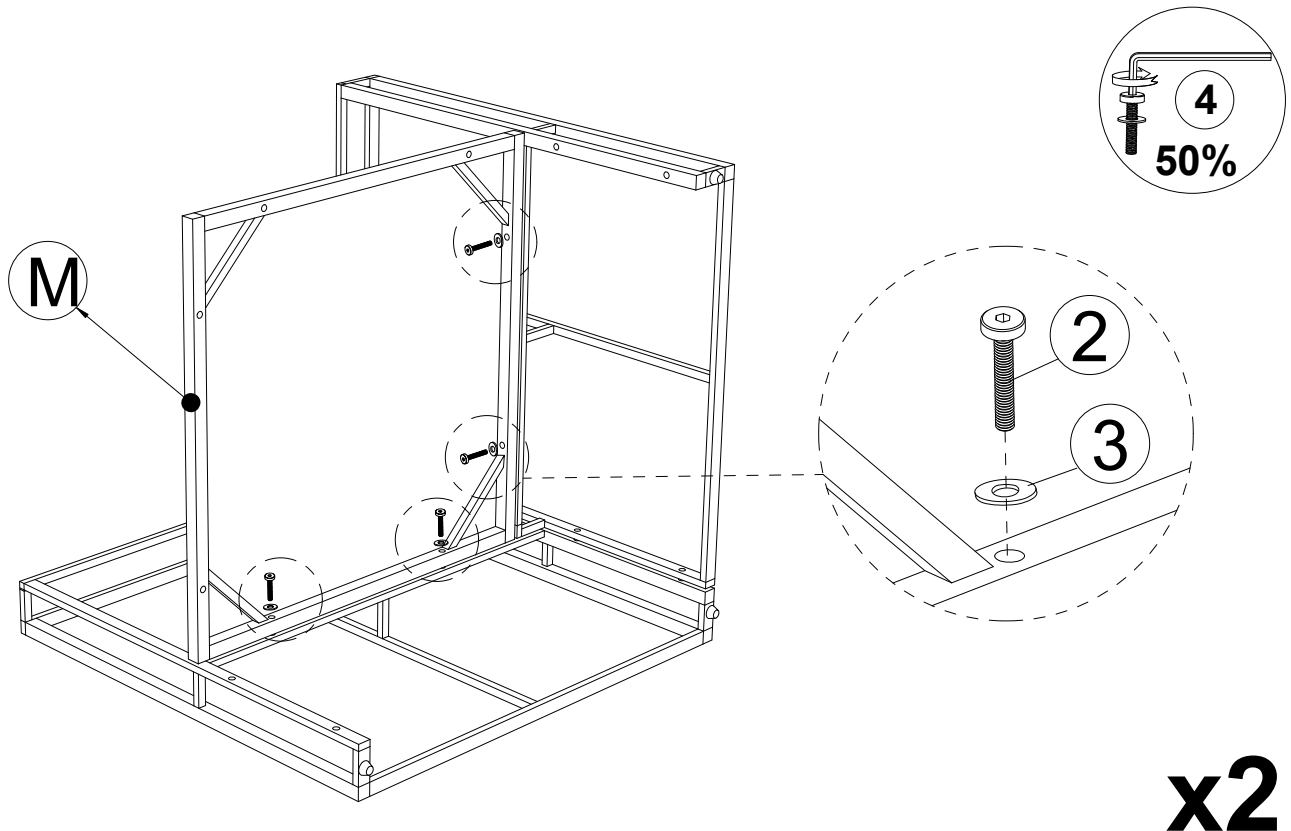
- K x1**
- L x1**
- ① x2**
- ③ x2**



Untighten Bolt on Back Corner (L) 15mm & connect Armless Corner (K). Tighten Bolt (1) & Flat washer (3) with Allen Key (4).

# STEP 12

- M x1**
- ② x4**
- ③ x4**



Connect the Part from Step 11 & Corner Seat, tighten Bolt (2) & Flat washer (3) with Allen Key (4).

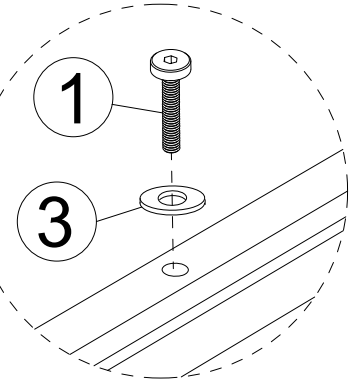
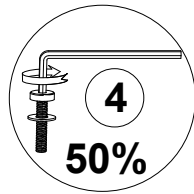
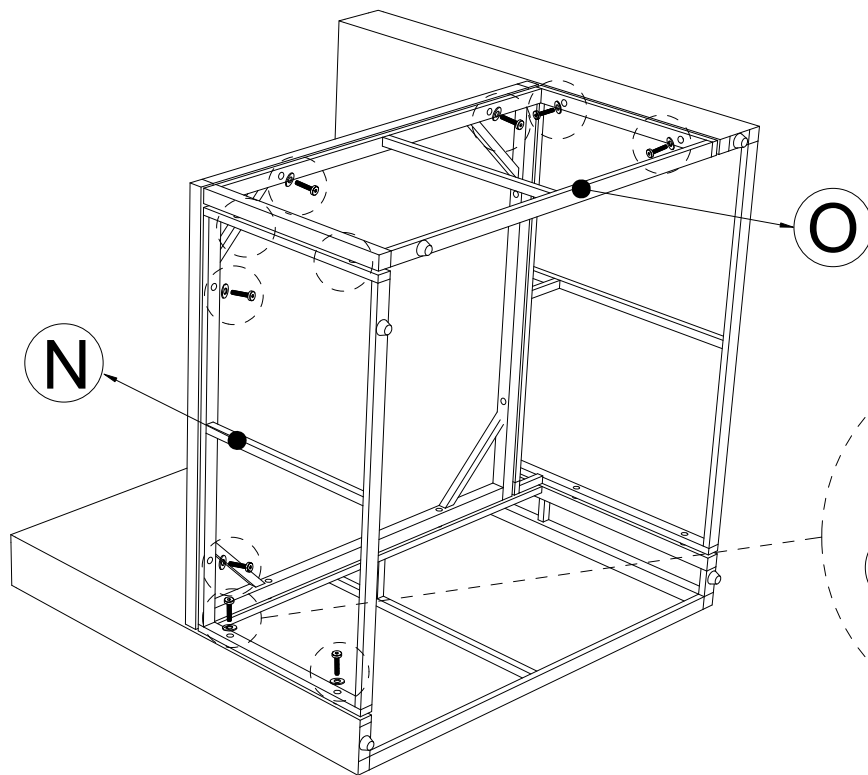
# STEP 13

O x1

N x1

1 x10

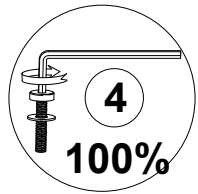
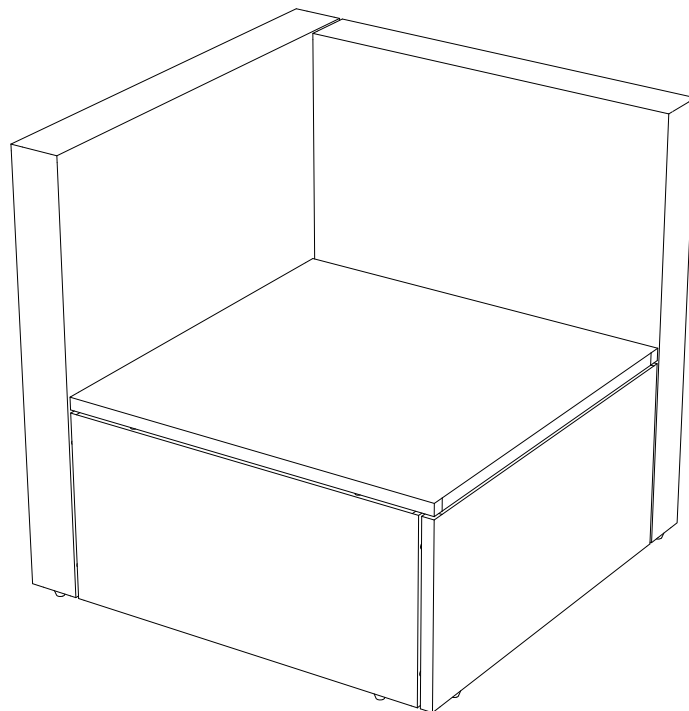
3 x10



x2

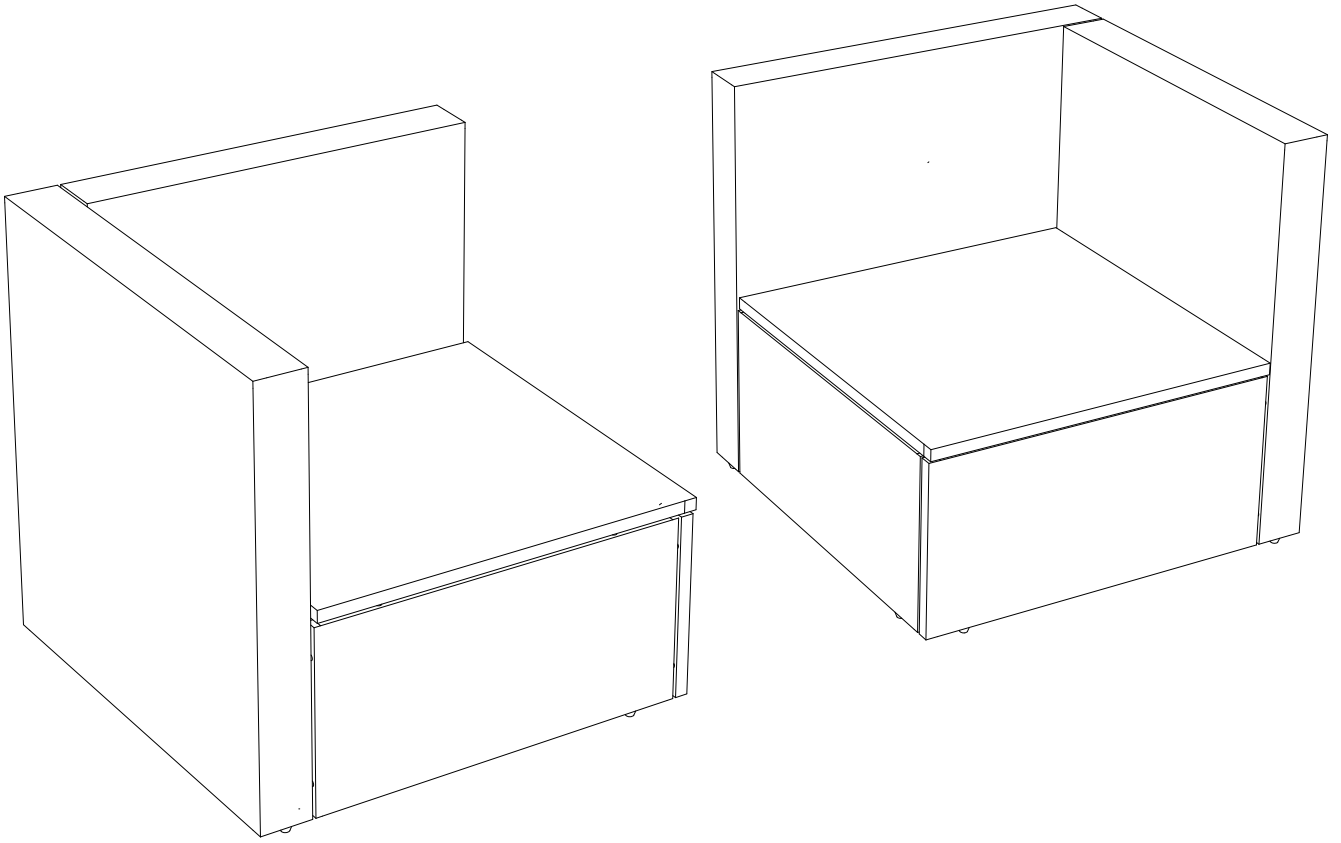
Connect The part from Step 12, Right Leg Chair (N) & Front Leg Corner (O) tighten Bolt (1) & Flat washer (3) with Allen Key (4).

# STEP 14



x2

Put the Chair upright, firmly tighten Bolts with Allen Key (4).



**Finish Corner Chair.**

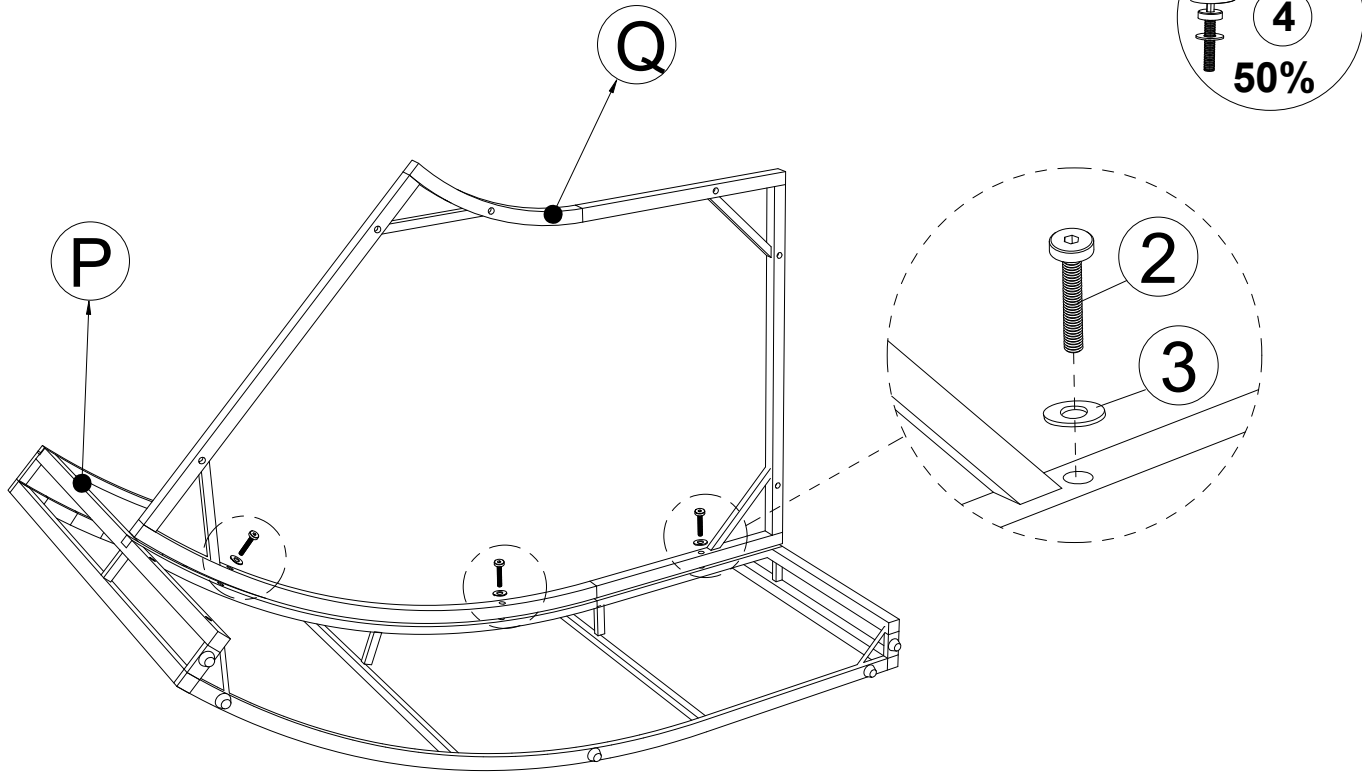
# STEP 15

P x1

Q x1

2 x3

3 x3



Connect Left Curve Seat (Q) & Left Curve Back (P), tighten Bolt (2) & Flat washer (3) with Allen Key (4).

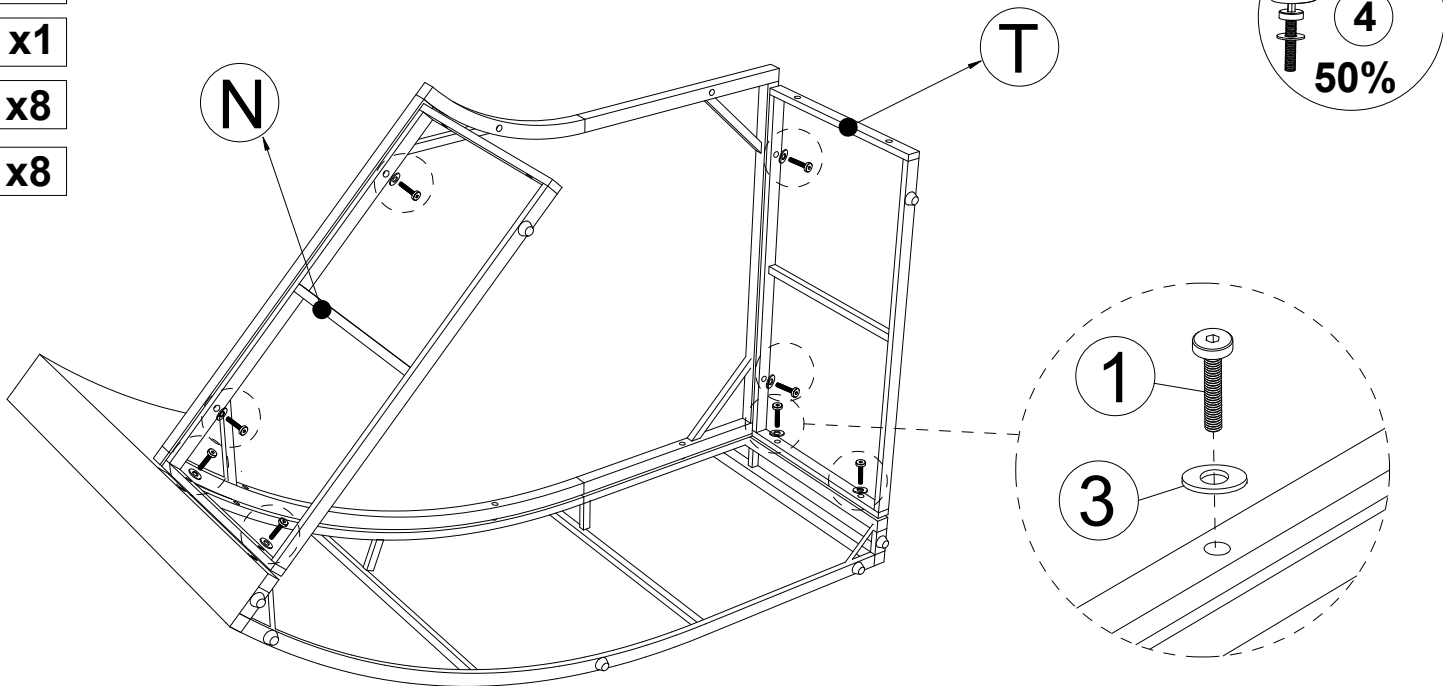
# STEP 16

N x1

T x1

1 x8

3 x8



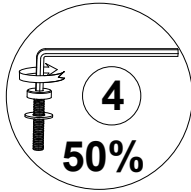
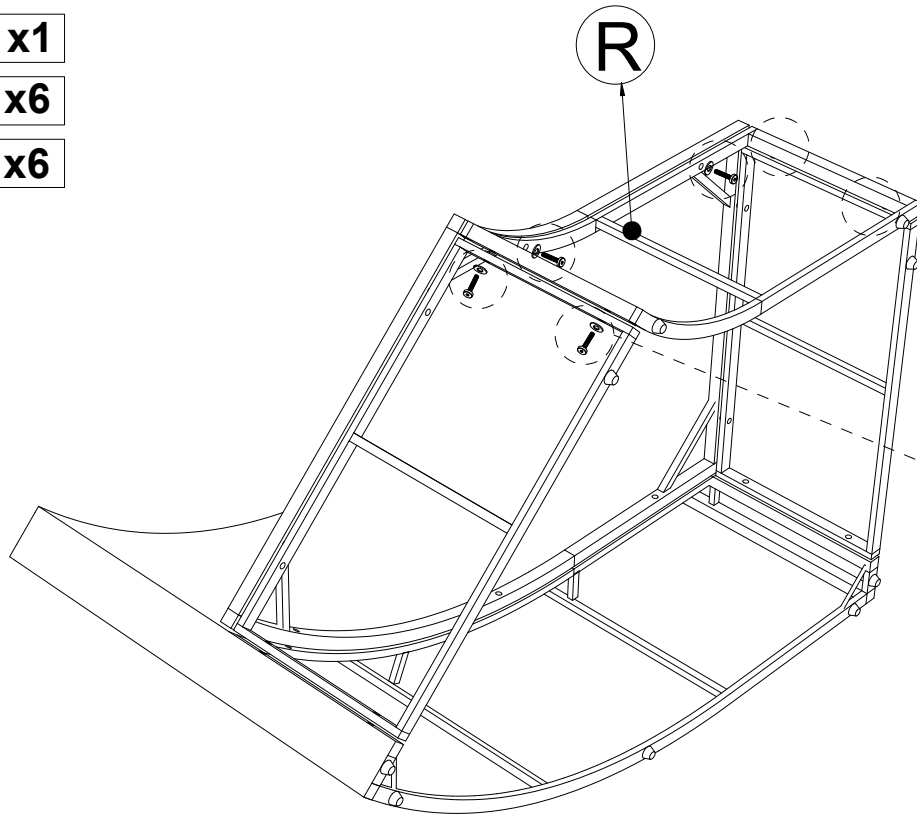
Connect Part from Step 15, Left Leg Chair (T) & Right Leg Chair (N), tighten Bolt (1) & Flat washer (3) with Allen Key (4).

# STEP 17

R x1

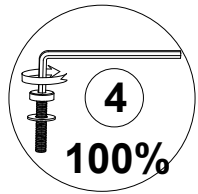
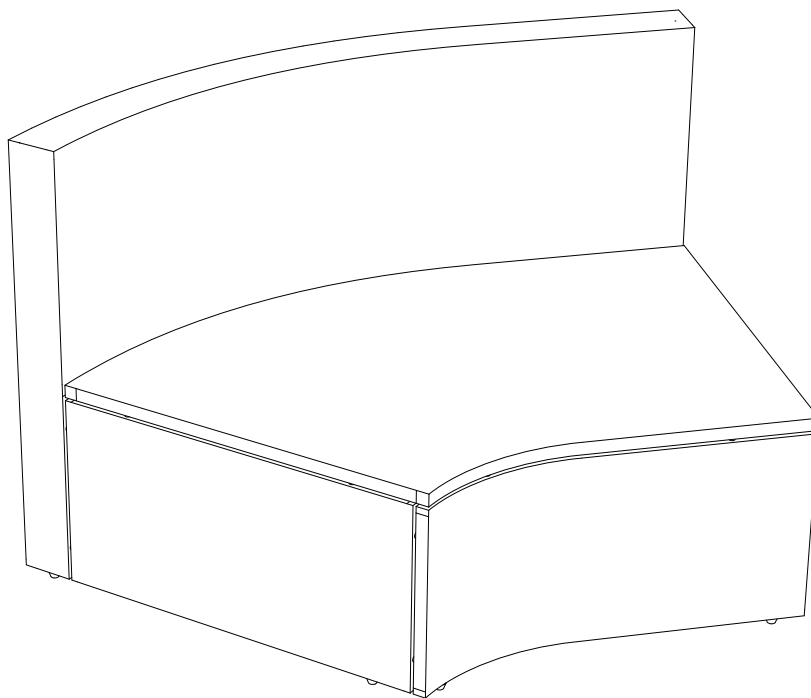
① x6

③ x6



**Connect Part from Step 16 & Front Leg Left Curve (R) tighten Bolt (1) & Flat washer (3) with Allen Key (4).**

# STEP 18



**Put the Chair upright, firmly tighten Bolts with Allen Key (4).  
Finish Left Curve.**

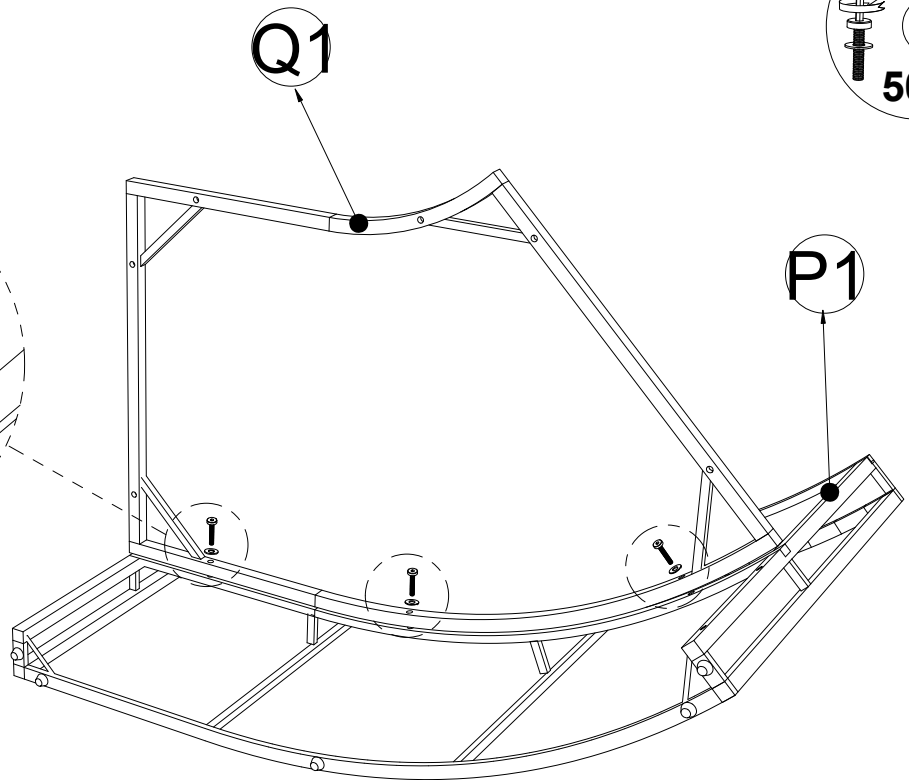
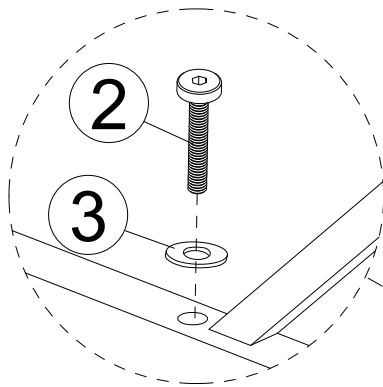
# STEP 19

P1 x1

Q1 x1

2 x3

3 x3



Connect Right Curve Seat (Q1) & Right Curve Back (P1), tighten Bolt (2) & Flat washer (3) with Allen Key (4).

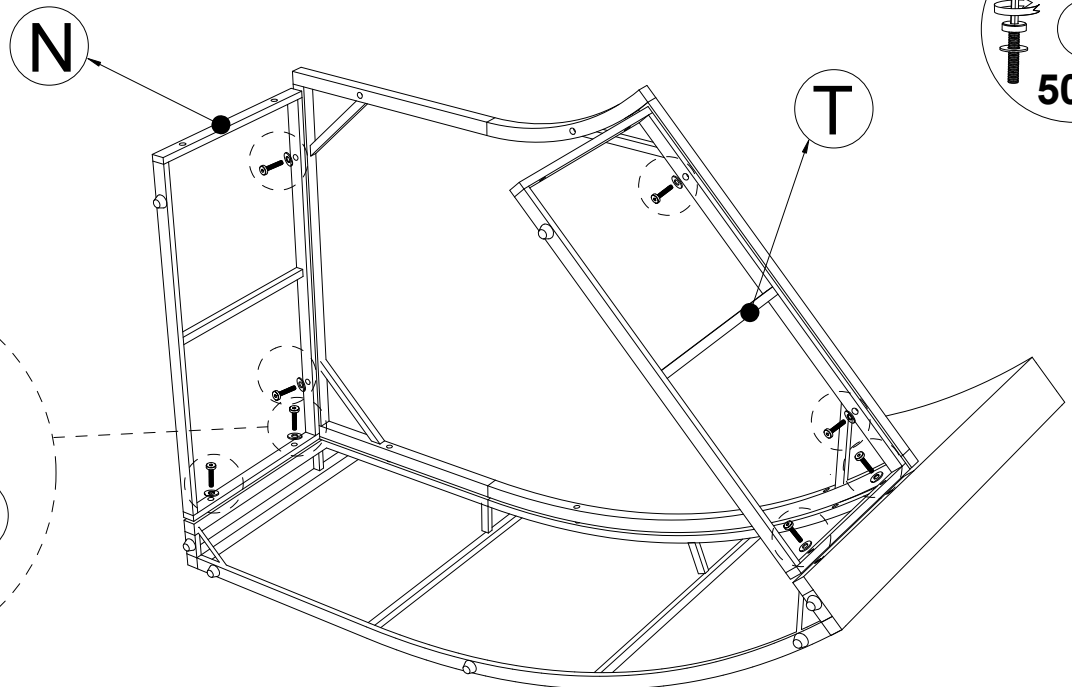
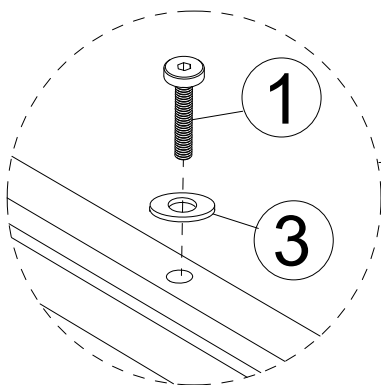
# STEP 20

N x1

T x1

1 x8

3 x8



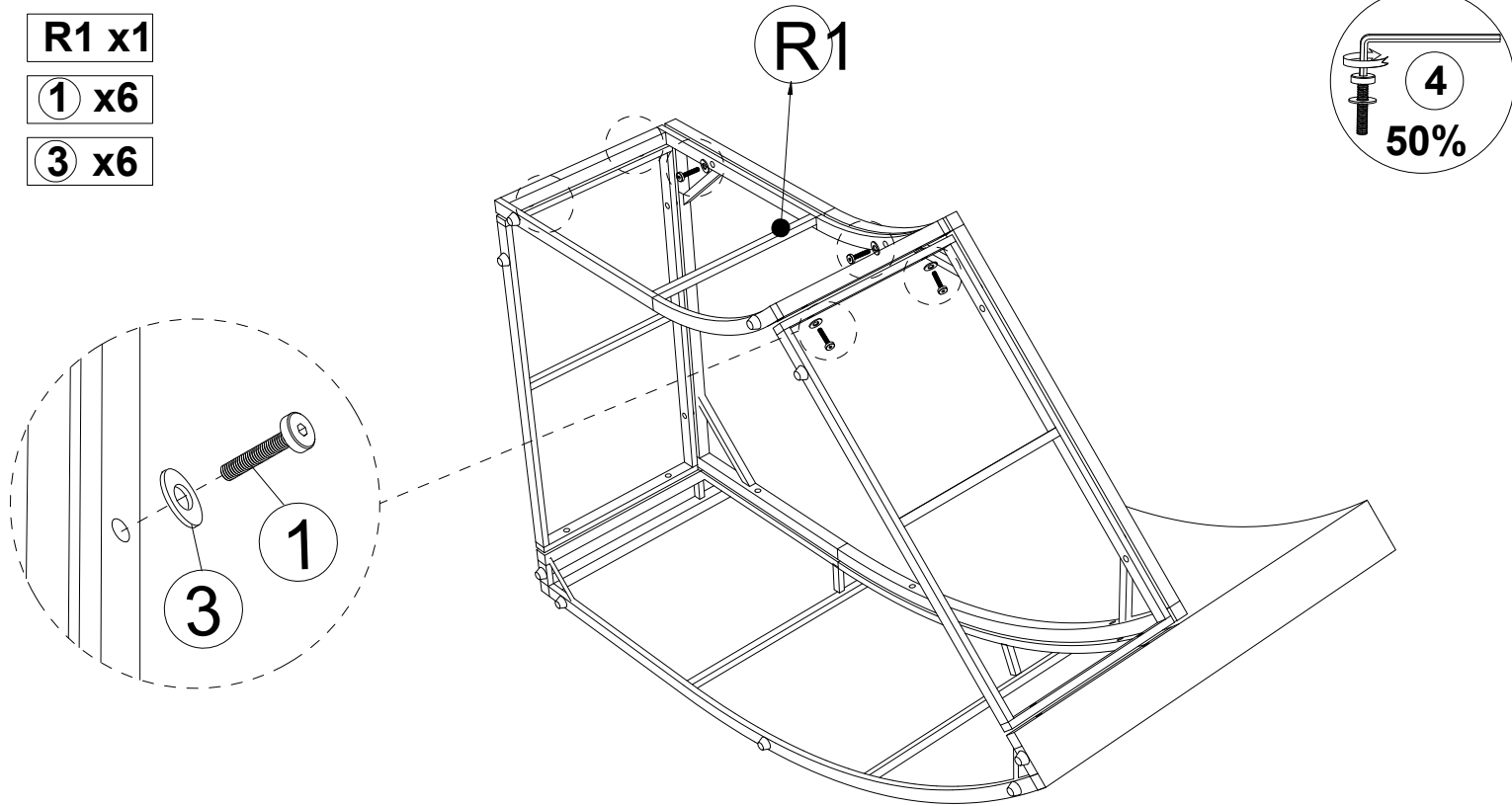
Connect Part from Step 19, Left Leg Chair (T) & Right Leg Chair (N), tighten Bolt (1) & Flat washer (3) with Allen Key (4).

# STEP 21

R1 x1

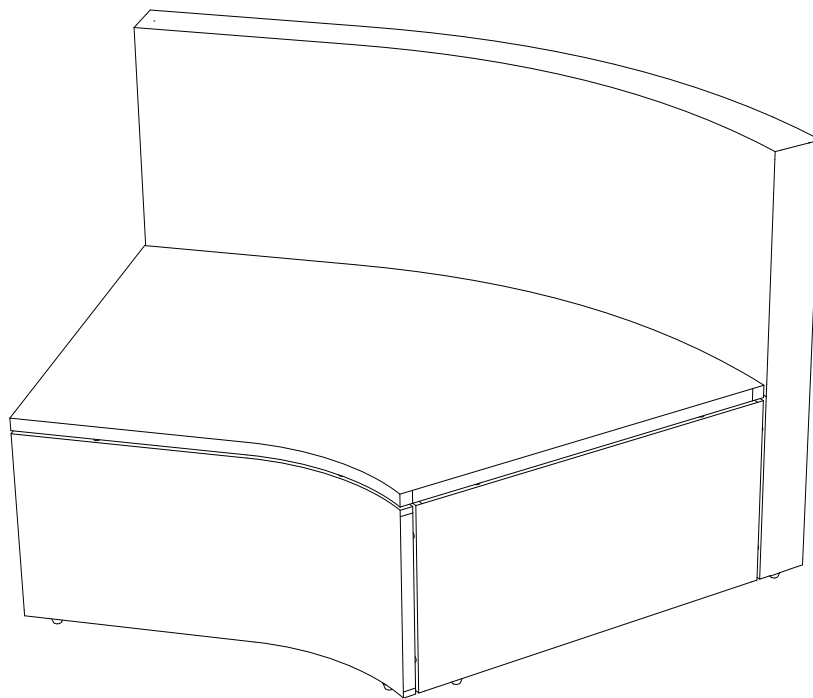
1 x6

3 x6



Connect Part from Step 20 & Front Leg Right Curve (R1) tighten Bolt (1) & Flat washer (3) with Allen Key (4).

# STEP 22

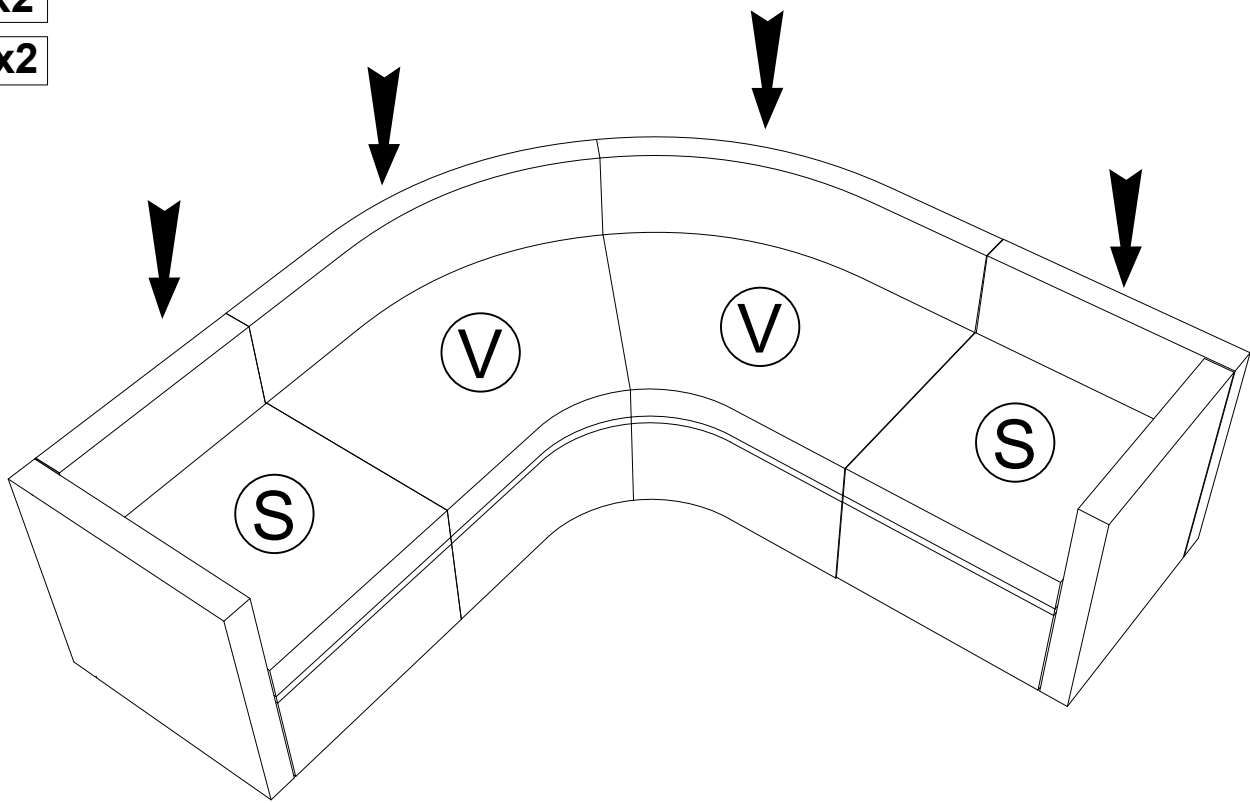


Put the Chair upright, firmly tighten Bolts with Allen Key (4).  
Finish Right Curve.

# STEP 23

S x2

V x2

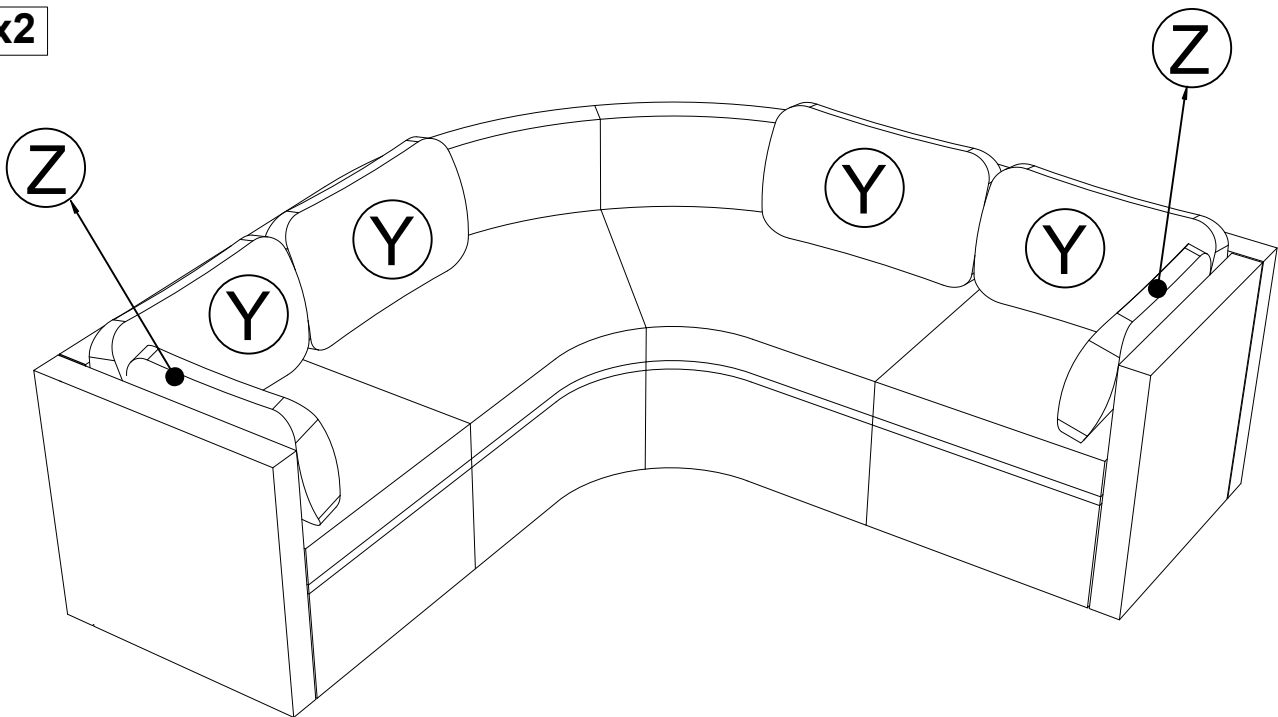


Set Left Curve, Right Curve, Left Corner, Right Corner.  
Set Cushion (S), (V).

# STEP 24

Y x4

Z x2

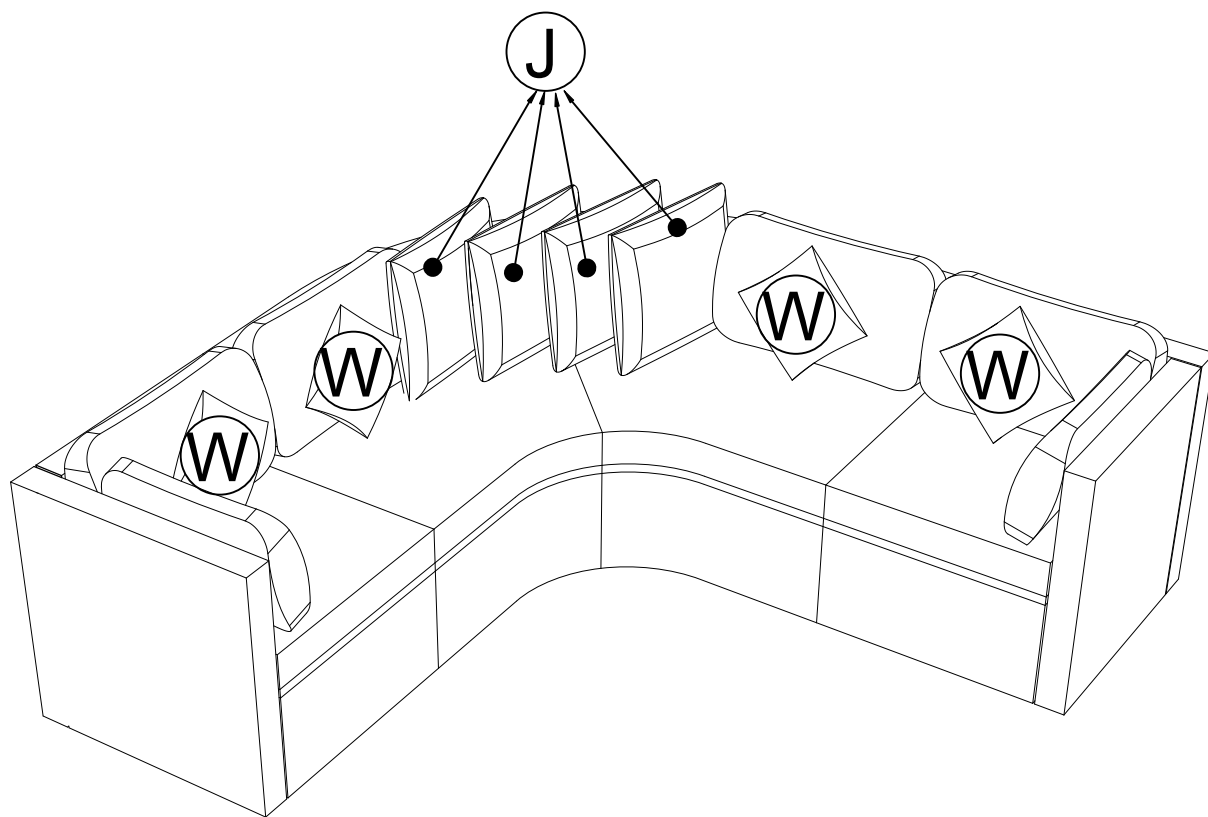


Set Cushion (Y), (Z).

# STEP 25

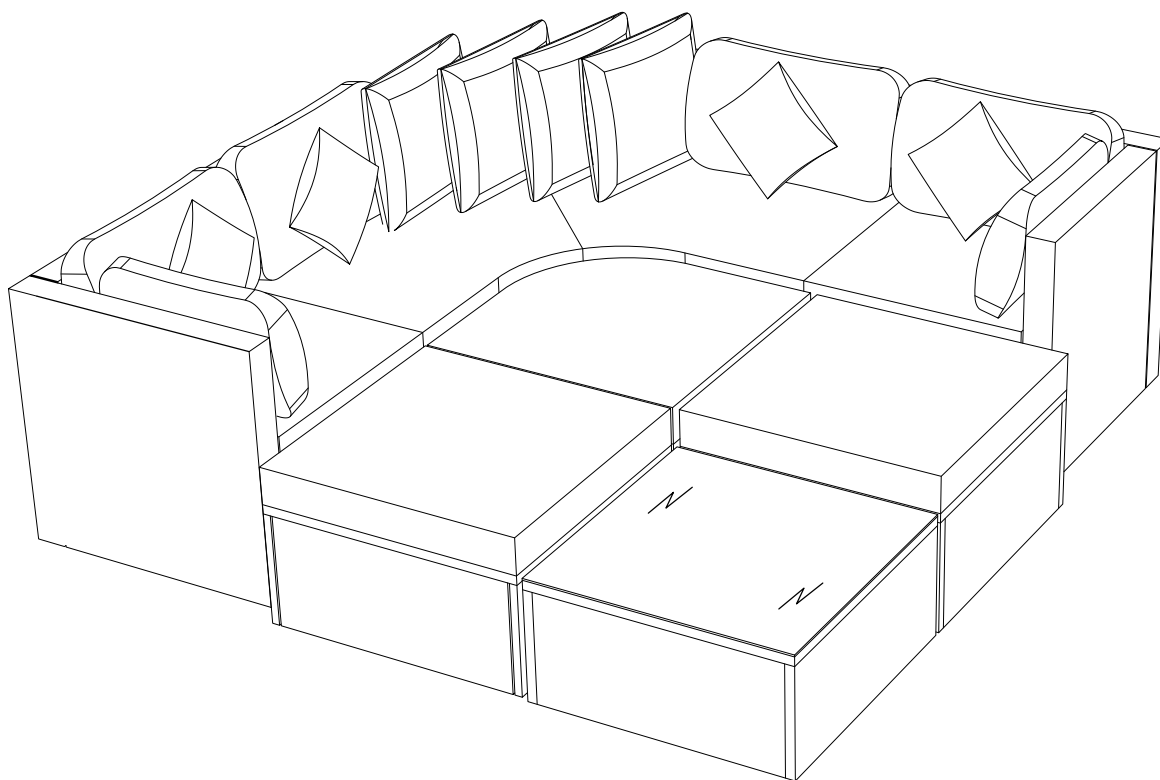
J x4

W x4

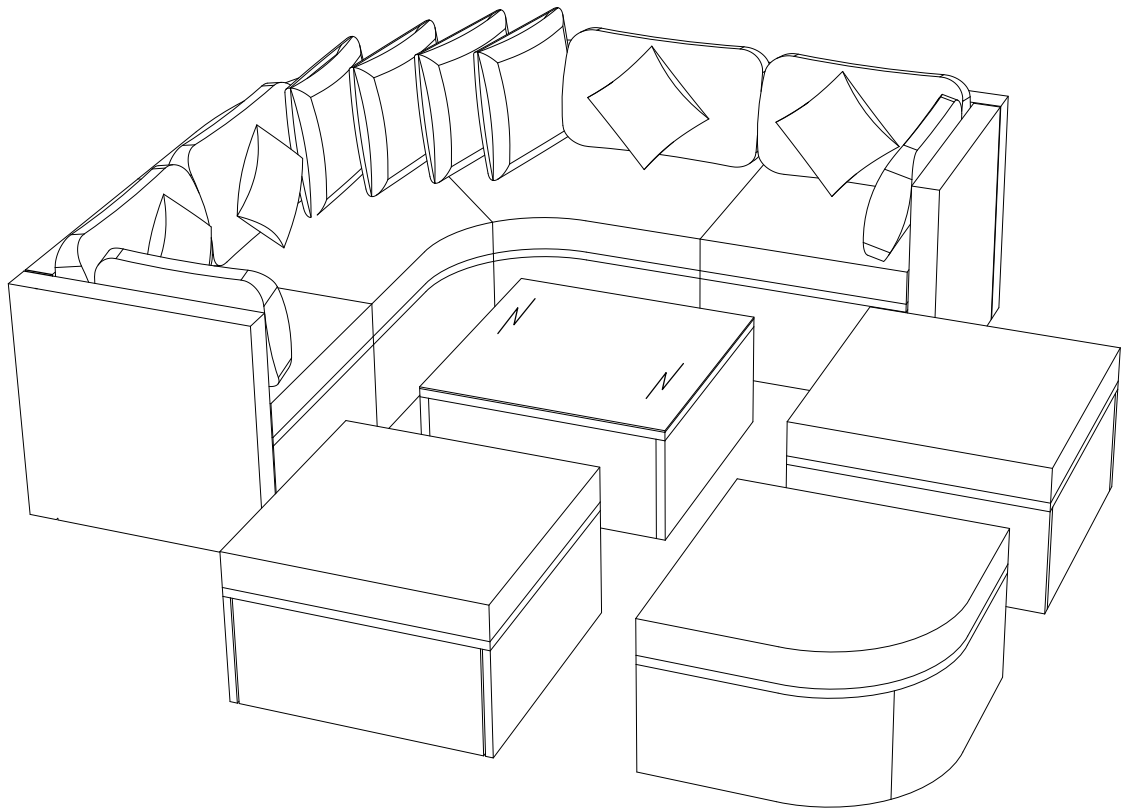


Set Cushion (W), (J).

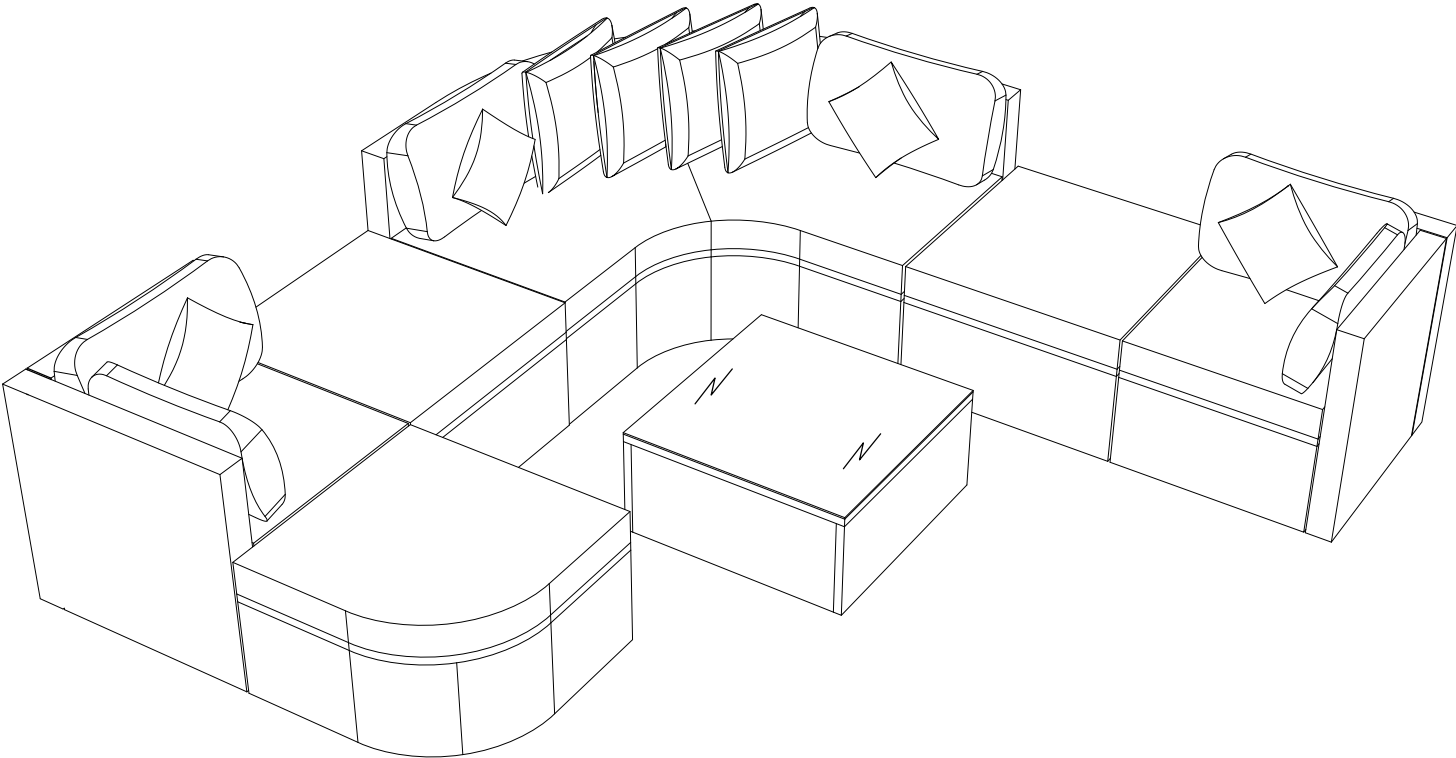
# STEP 26



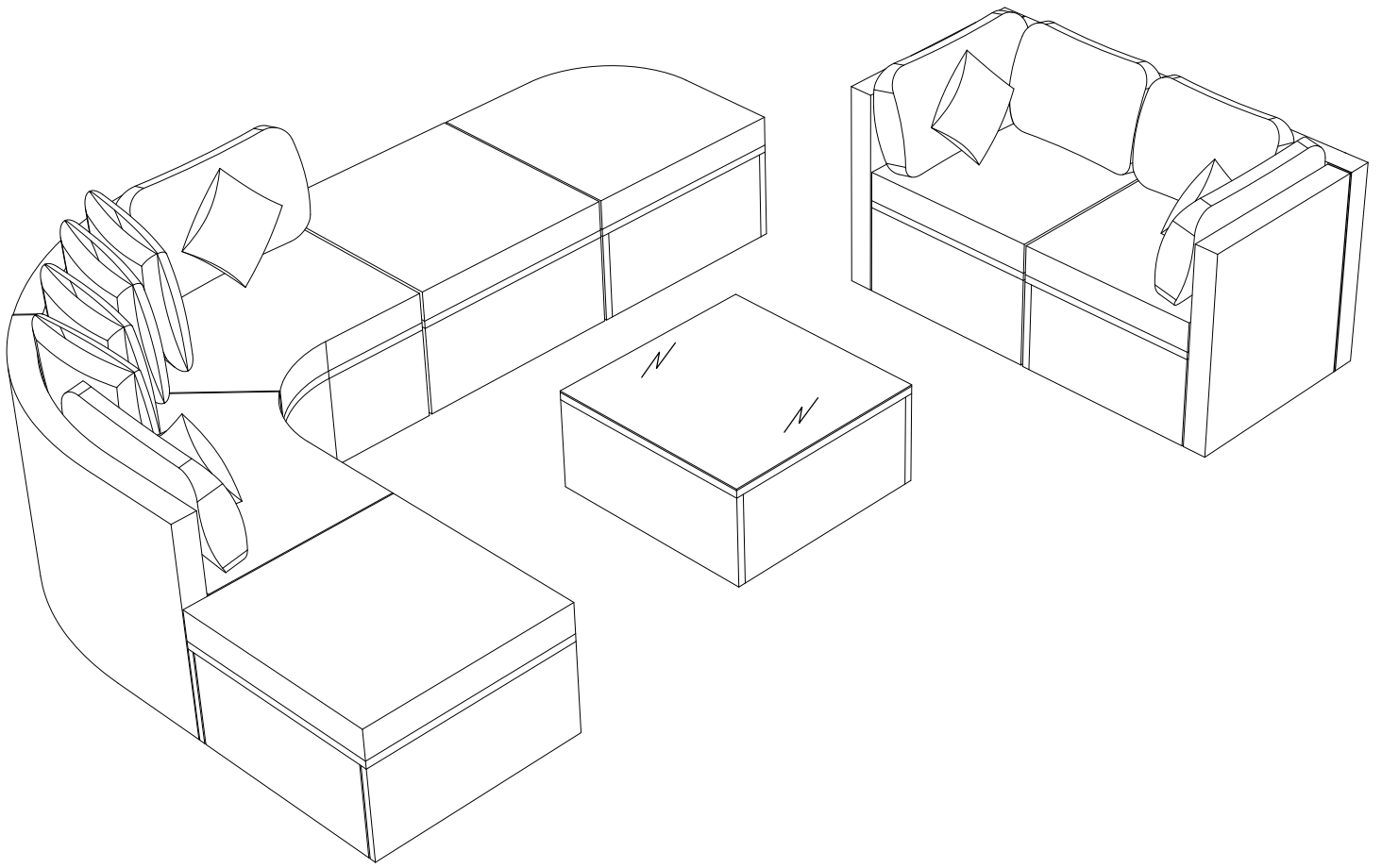
Set with all Stools + Table.



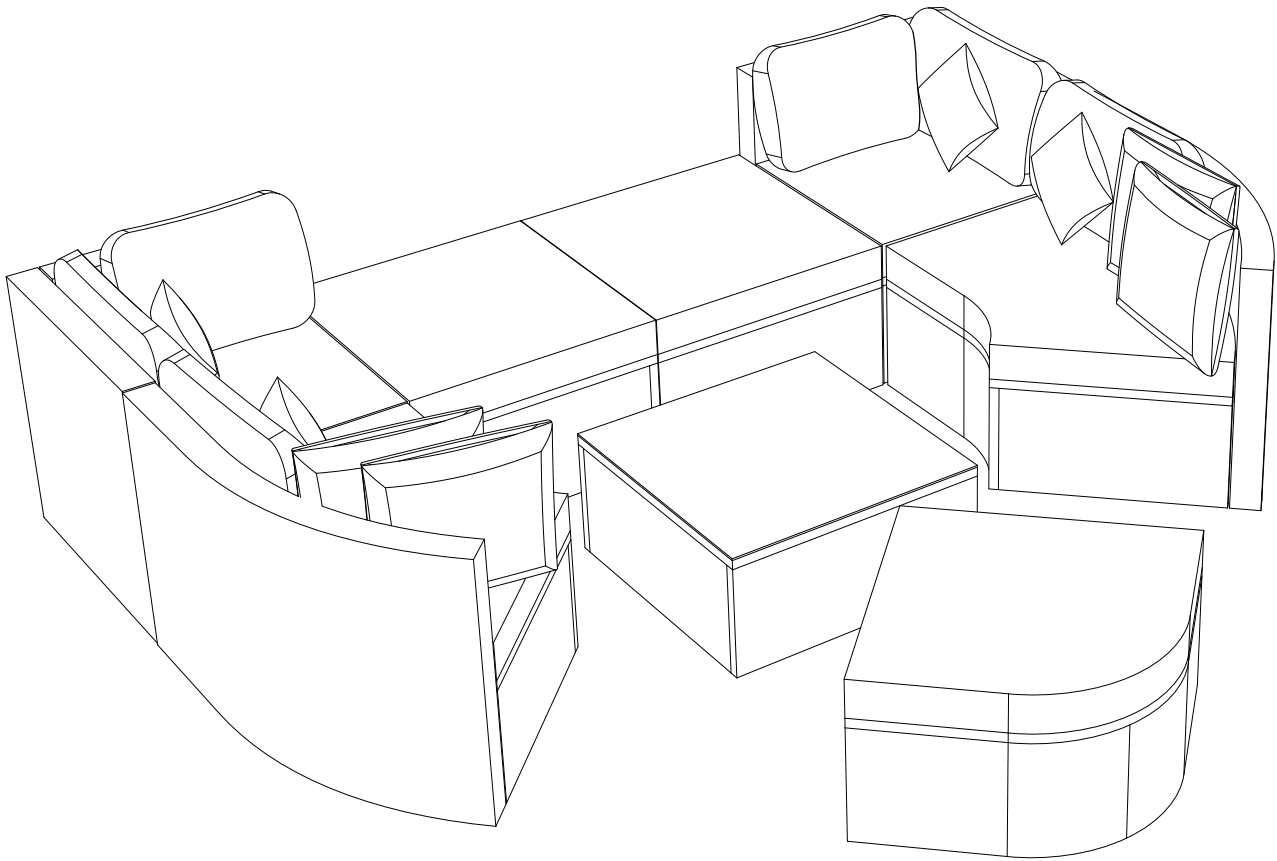
**Option 1.**



**Option 2.**



**Option 3.**



**Option 4.**