

ASSEMBLY INSTRUCTIONS

# Chest of Drawer

MOD-7242 / V0.07.23.25

---

**modway**



Questions? Contact us!

609.256.9000  
cs@modway.com

# Welcome.

## Let's get started.

Before you begin, here are some things to keep in mind:

Assembly will take most people **about 60 minutes**. Consider having a friend help you!

**Only use hand tools to assemble this item**  
Do not use power tools. Do not tighten bolts or screws completely until all hardware is lined up and inserted into the holes.

**Read through all of the instructions before starting. Make sure you have all parts and components before discarding any packing materials.**

Do not over-tighten screws and bolts to avoid stripping the hardware or cracking the item.

Assemble your item on a flat, carpeted area, with plenty of space to work. This will prevent damage and scratches to your floors or the item while you're assembling the product.

Keep all components and packaging out of reach of children or animals to avoid risk of choking or suffocation.





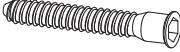

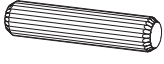
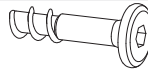
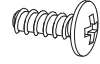


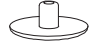





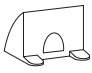

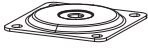

**Care instructions are listed in the last step of this manual.**

**WAIT!**

Missing parts or hardware? Need assistance?  
Contact us before returning your item.  
We're here to help!



## HARDWARE INCLUDED IN THE BOX:

A		Cam Bolt Ø6 x 35 mm	x54
B		Cam Lock Ø15 mm	x30
C		Cam Lock Ø12 mm	x24
D		Wood Dowel Ø8 x 30 mm	x52
E		Screw M 7 x 50 mm	x8
F		Allen Key	x2
G		Wood Dowel Ø8 x 50 mm	x4
H		Screw M 6.4 x 25 mm	x4
I		Screw M 4.5 x 12.5 mm	x12
J		Bracket	x2
K		List	x2
L		Screw Cap Ø15 mm	x10
M		Wood Dowel Ø6 x 30 mm	x12
N		Screw M 4 x 39 mm	x24
O		Screw M 6 x 10.5 mm	x36
P		Screw M 3.5 x 13 mm	x36
Q		Screw M 3.5 x 15.5 mm	x24
R		Wedge	x24
S		Wood Dowel Ø8 x 20 mm	x8
PM2		Mounting Plate	x1
RM35A		Drawer Runner	x6

## WHAT YOU NEED:



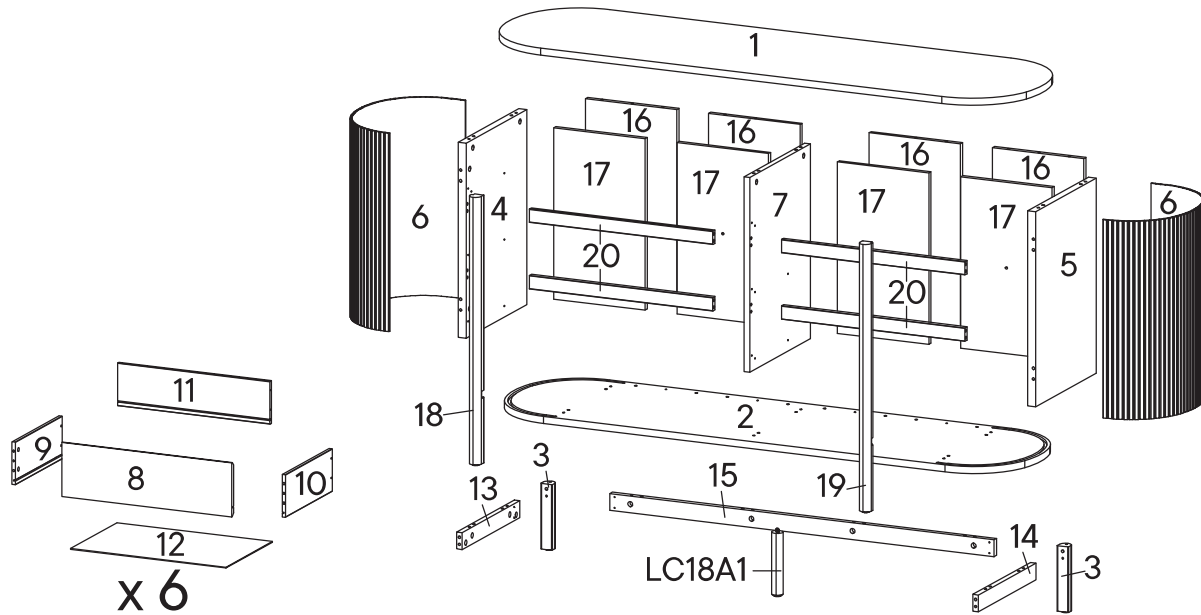
Phillips



Phillips Head Screwdriver

# FURNITURE COMPONENTS INCLUDED IN THE BOX:

All parts are numbered with a sticker according to this list.



1	Top Board	x1	8	Front Drawer	x6	15	Bottom Skirt Center	x1
2	Bottom Board	x1	9	Side Drawer Left	x6	16	Back Board 1	x4
3	Back Leg	x2	10	Side Drawer Right	x6	17	Back Board 2	x4
4	Side Board Left	x1	11	Back Drawer	x6	18	Front Leg Left	x1
5	Side Board Right	x1	12	Bottom Drawer	x6	19	Front Leg Right	x1
6	Bar Side	x2	13	Bottom Skirt Left	x1	20	Front Skirt	x4
7	Center Board	x1	14	Bottom Skirt Right	x1	LC18A1	Center Leg	x1

Carton 1 Of 2

Label	Description	Qty
3	Back Leg	x2
4	Side Board Left	x1
5	Side Board Right	x1
6	Bar Side	x2
7	Center Board	x1
8	Front Drawer	x6
12	Bottom Drawer	x6
16	Back Board 1	x4
17	Back Board 2	x4
18	Front Leg Left	x1
19	Front Leg Right	x1
20	Front Skirt	x4
LC18A1	Center Leg	x1
	Hardware Pack	x2

Carton 2 Of 2

Label	Description	Qty
1	Top Board	x1
2	Bottom Board	x1
9	Side Drawer Left	x6
10	Side Drawer Right	x6
11	Back Drawer	x6
13	Bottom Skirt Left	x1
14	Bottom Skirt Right	x1
15	Bottom Skirt Center	x1

**HARDWARE**

- A** Cam Bolt  $\varnothing 6 \times 35$  mm x24
- M** Wood Dowel  $\varnothing 6 \times 30$  mm x12

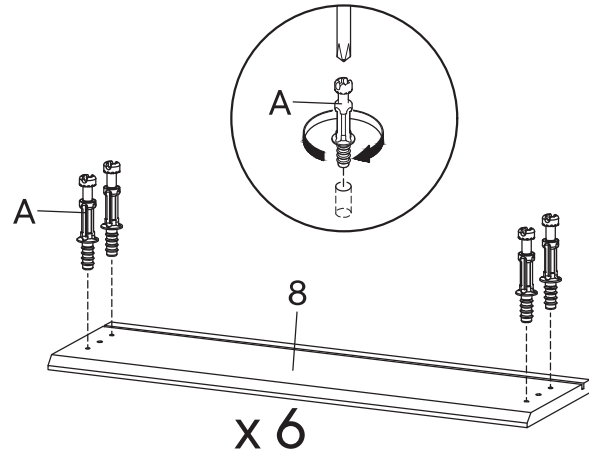
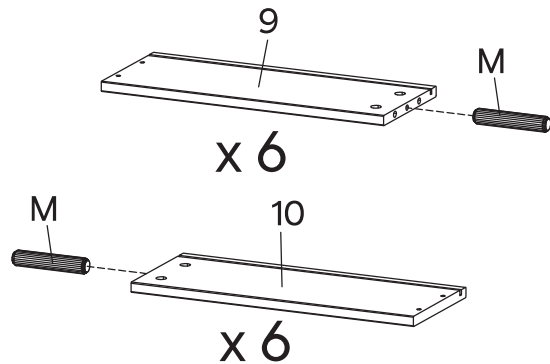
**COMPONENTS**

- 8** Front Drawer x6
- 9** Side Drawer Left x6
- 10** Side Drawer Right x6

**1.1** Insert Cam Bolt  $\varnothing 6 \times 35$  mm (A) into the Front Drawer (8), then tighten using screwdriver.

**1.2** Insert Wood Dowel  $\varnothing 6 \times 30$  mm (M) into the Side Drawer Left (9).

**1.3** Insert Wood Dowel  $\varnothing 6 \times 30$  mm (M) into the Side Drawer Right (10).



## STEP 02

**HARDWARE**

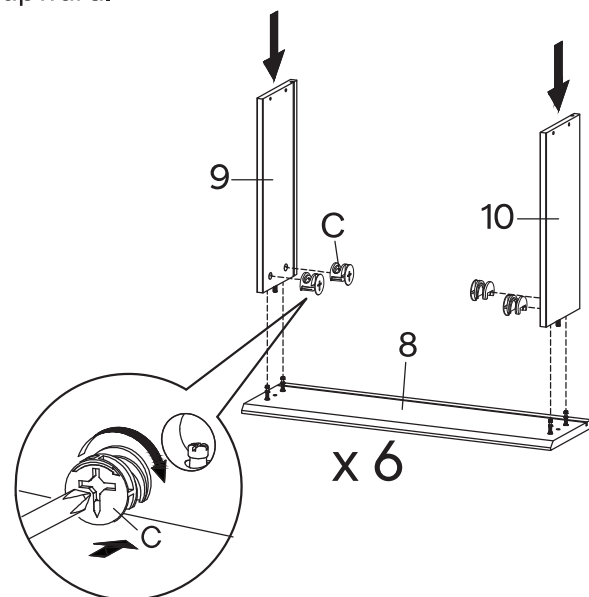
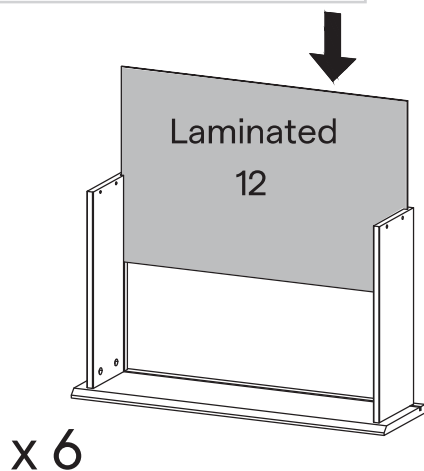
- C** Cam Lock  $\varnothing 12$  mm x24

**COMPONENTS**

- 8** Front Drawer x6
- 9** Side Drawer Left x6
- 10** Side Drawer Right x6
- 12** Bottom Drawer x6

**2.1** Combine Side Drawers (9&10) into Front Drawer (8) secure with Cam Lock  $\varnothing 12$  mm (C) then tighten using screwdriver.

**2.2** Insert Bottom Drawer (12), into Front Drawer with laminated face facing upward.



**HARDWARE**

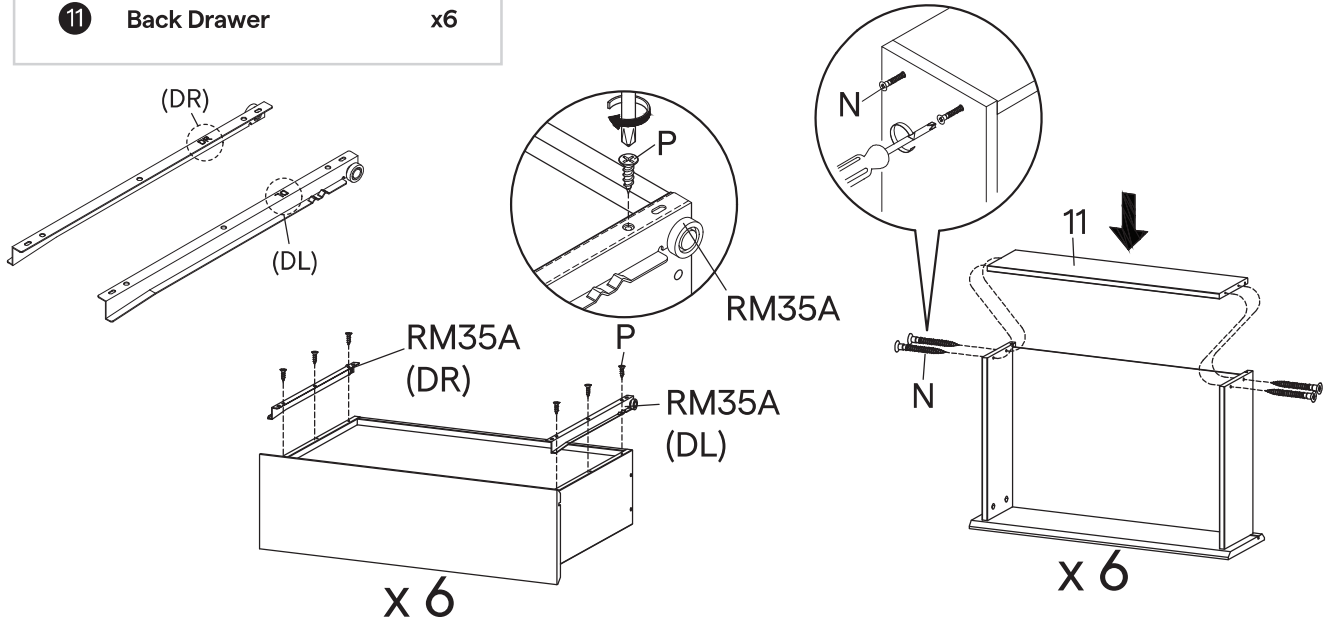
- N** Screw M 4 x 39 mm x24
- P** Screw M 3.5 x 13 mm x36
- RM35A** Drawer Runner x6

**COMPONENTS**

- 11** Back Drawer x6

**3.1** Combine Back Drawer (11) to Pre - Assembly drawer from previous step, secure with Screw M 4 x 39 mm (N) then tighten using screwdriver, as shown in the picture.

**3.2** Install the Drawer Runner (RM35A) into position as shown in picture. Secure with Screw M 3.5 x 13 mm (P), then tighten screw using screwdriver.

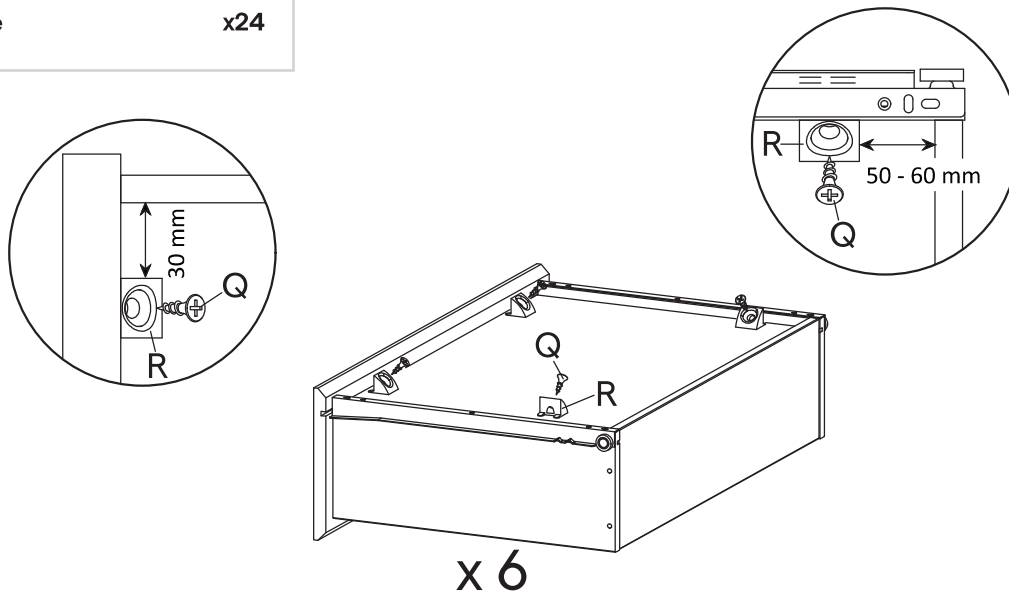


STEP 04

**HARDWARE**

- Q** Screw M 3.5 x 15.5 mm x24
- R** Wedge x24

**4.1** Install the Wedge (R) and Screw M 3.5 x 15.5 mm (Q) into bottom of the drawer according to the picture.



**HARDWARE**

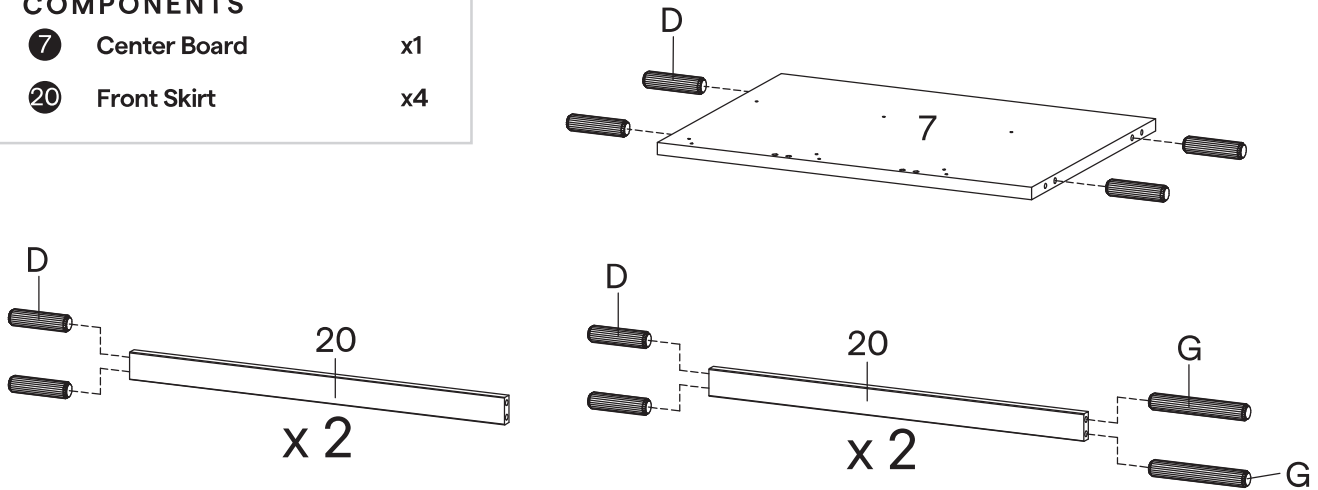
- D** Wood Dowel Ø8 x 30 mm x12
- G** Wood Dowel Ø8 x 50 mm x4

**COMPONENTS**

- 7** Center Board x1
- 20** Front Skirt x4

**5.1** Insert Wood Dowel Ø8 x 30 mm (D) into the Center Board (7) and Front Skirt (20), as shown in the picture.

**5.2** Insert Wood Dowel Ø8 x 50 mm (G) into the Front Skirt (20), as shown in the picture.



STEP 06

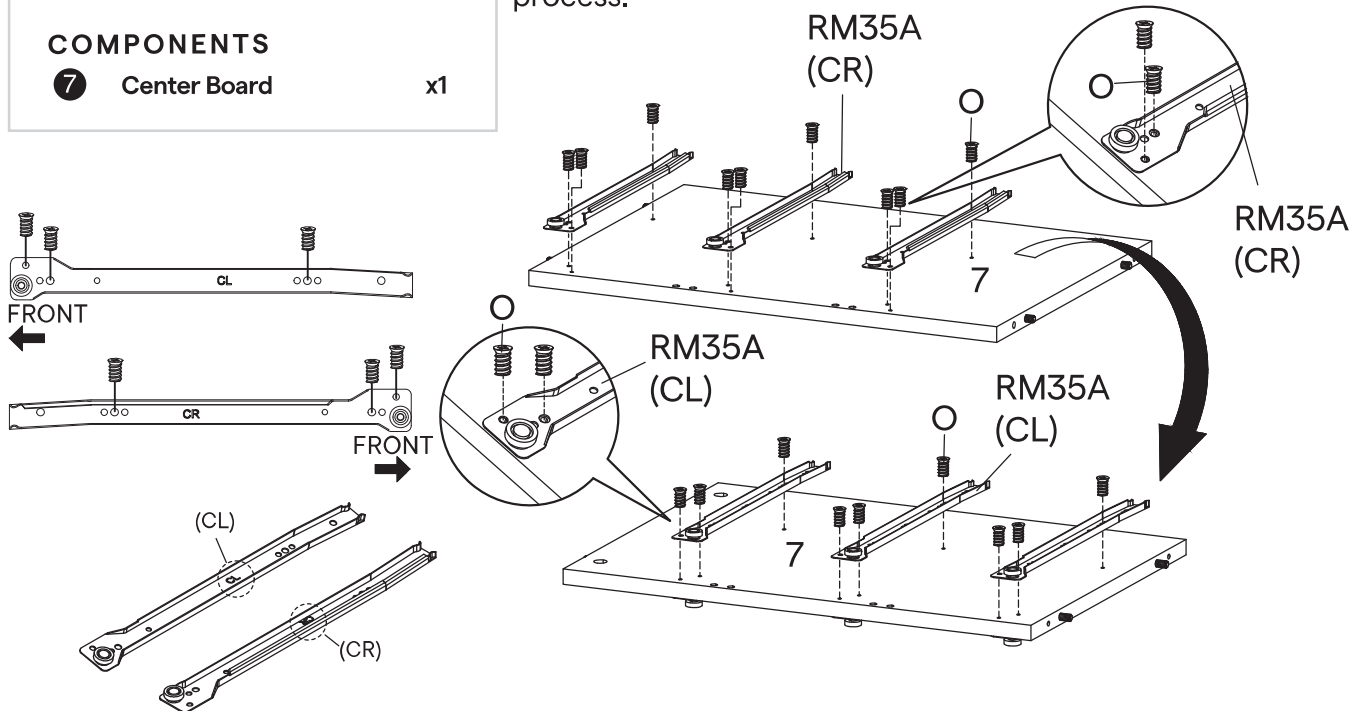
**HARDWARE**

- O** Screw M 6 x 10.5 mm x18
- RM35A** Drawer Runner x3

**COMPONENTS**

- 7** Center Board x1

**6.1** Securing part of the Drawer Runner (RM35A), into position as the above image, using screw M 6 x 10.5 mm (O). Please notice position the Drawer Runner part as per provided images. Flip the Center Board (7) to the other side then repeat the process.



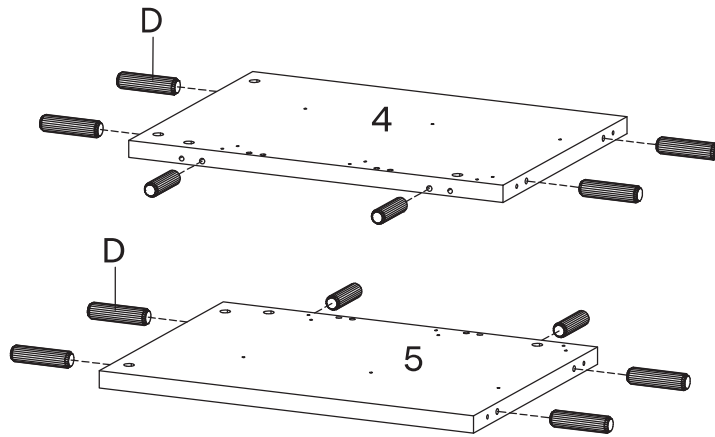
**HARDWARE**

- D** Wood Dowel Ø8 x 30 mm x12

**COMPONENTS**

- 4** Side Board Left x1
- 5** Side Board Right x1

7.1 Insert Wood Dowel Ø8 x 30 mm (D) into the Side Board Left (4) and Side Board Right (5) .



STEP 08

**HARDWARE**

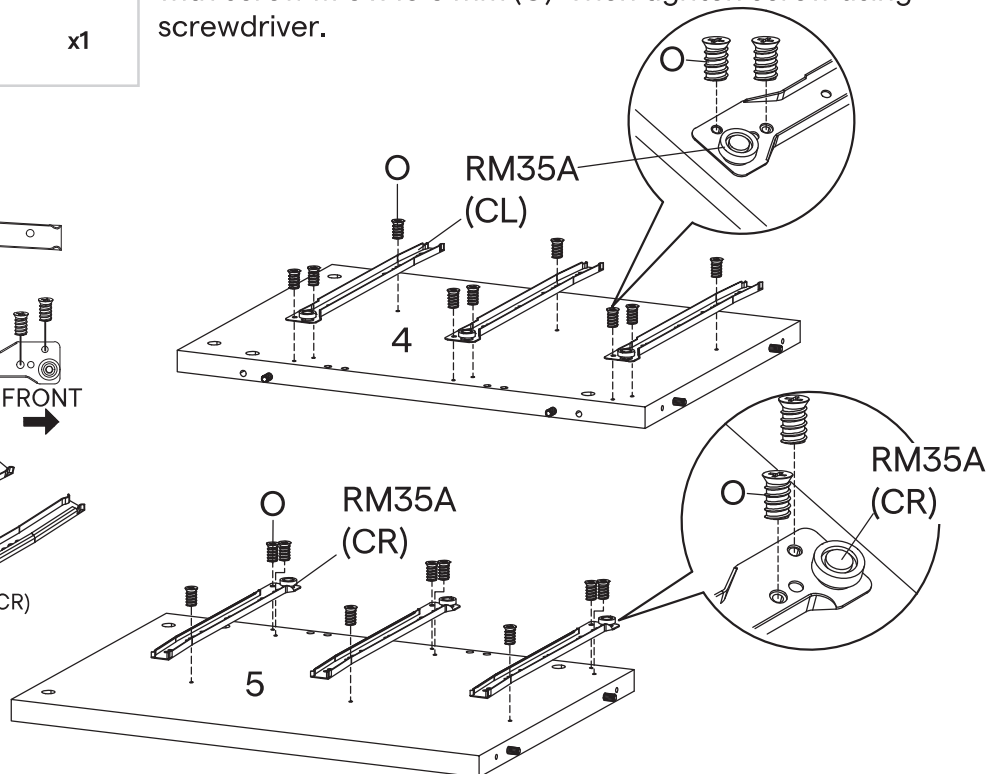
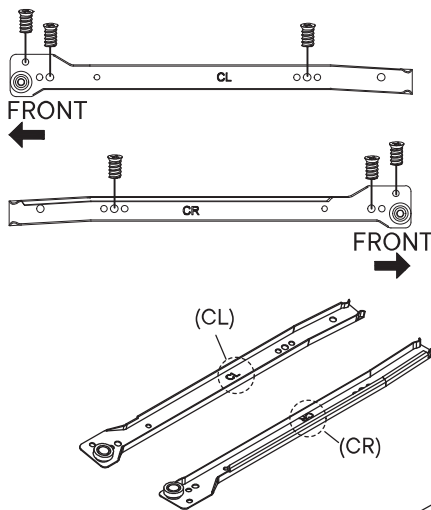
- O** Screw M 6 x 10.5 mm x18
- RM35A** Drawer Runner x3

**COMPONENTS**

- 4** Side Board Left x1
- 5** Side Board Right x1

8.1 Securing part of the Drawer Runner (RM35A) (CL) into Side Board Left (4) position as the above image, secure with screw M 6 x 10.5 mm (O). Then tighten screw using screwdriver.

8.2 Securing part of the Drawer Runner (RM35A) (CR) into Side Board Right (5) position as the above image, secure with screw M 6 x 10.5 mm (O). Then tighten screw using screwdriver.



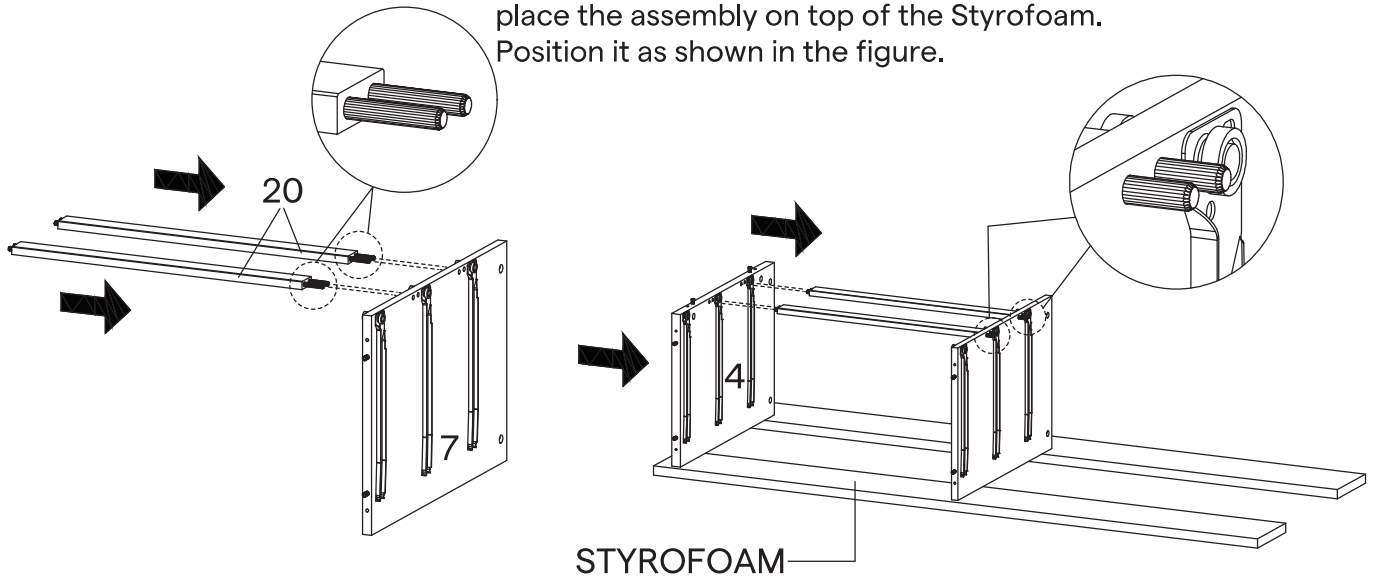
**COMPONENTS**

④	Side Board Left	x1
⑦	Center Board	x1
⑳	Front Skirt	x2

**9.1** Firstly, combine the Centre Board (7) with Front Skirt (20) ensure the long dowel into Center Board. Position as shown in the figure.

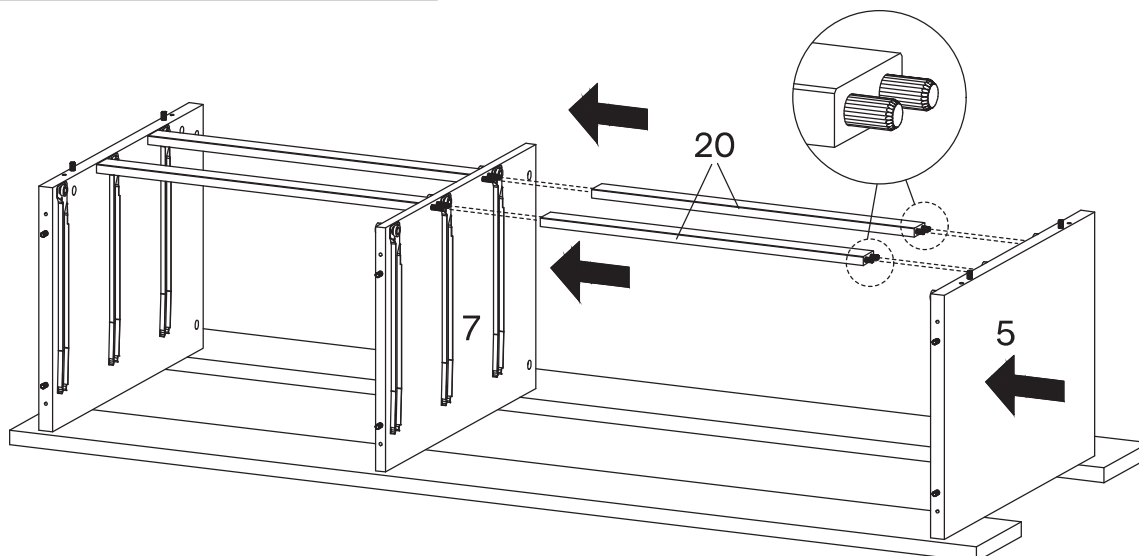
**9.2** Place a Styrofoam sheet from packaging before installing the component.

**9.3** Attach the Left Side Board (4) to the pre-assembled and place the assembly on top of the Styrofoam. Position it as shown in the figure.

**STEP 10****COMPONENTS**

⑤	Side Board Right	x1
⑳	Front Skirt	x2

**10.1** Combine the Front Skirt (20) to pre-assembled from previous step. Then attach the Side Board Right (5) to Front Skirt. Position as shown in the figure.



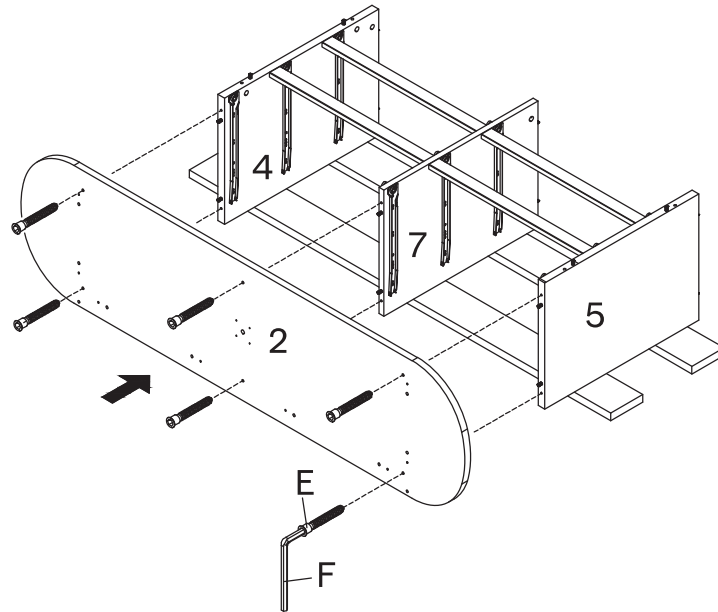
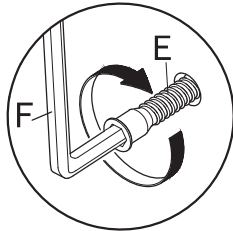
**HARDWARE**

- E** Screw M 7 x 50 mm x6
- F** Allen Key x1

**COMPONENTS**

- 2** Bottom Board x1

**11.1** Combine Bottom Board (2) to Pre-Assembled from previous step and secure with Screw M 7 x 50 mm (E), then tighten using the Allen Key (F).



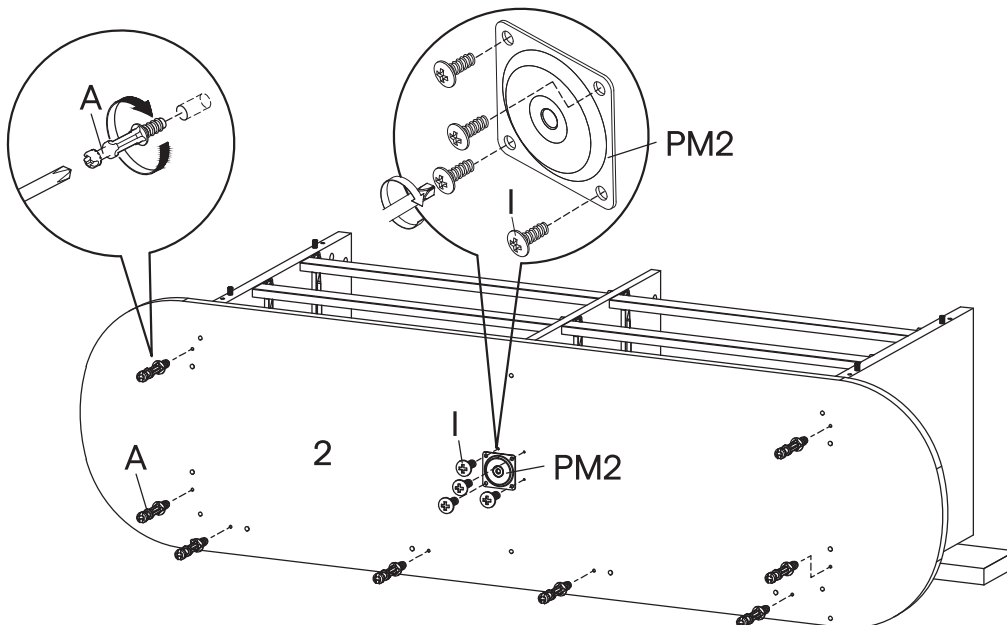
## STEP 12

**HARDWARE**

- A** Cam Bolt  $\varnothing 6 \times 35$  mm x8
- I** Screw M 4.5 x 12.5 mm x4
- PM2** Mounting Plate x1

**12.1** Insert Cam Bolt  $\varnothing 6 \times 35$  mm (A) into the Bottom Board (2), then tighten using screwdriver. Position as shown in the figure.

**12.2** Install Mounting Plate (PM2) into Bottom Board (2) and secure with Screw M 4.5 x 12.5 mm (I), then tighten using screwdriver.



**HARDWARE**

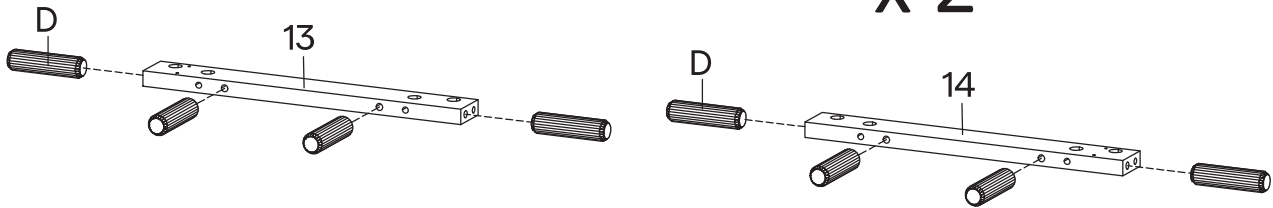
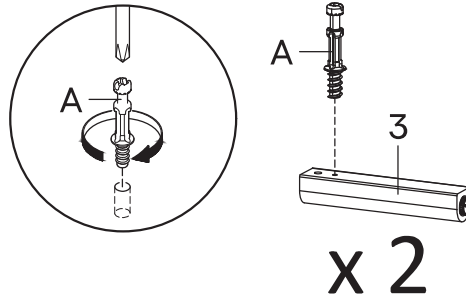
- A** Cam Bolt  $\varnothing 6 \times 35$  mm x2
- D** Wood Dowel  $\varnothing 8 \times 30$  mm x8

**COMPONENTS**

- 3** Back Leg x2
- 13** Bottom Skirt Left x1
- 14** Bottom Skirt Right x1

**13.1** Insert Cam Bolt  $\varnothing 6 \times 35$  mm (A) into the Back Leg (3), then tighten using screwdriver.

**13.2** Insert Wood Dowel  $\varnothing 8 \times 30$  mm (D) into the Bottom Skirt Left (13) and Bottom Skirt Right (14).



## STEP 14

**HARDWARE**

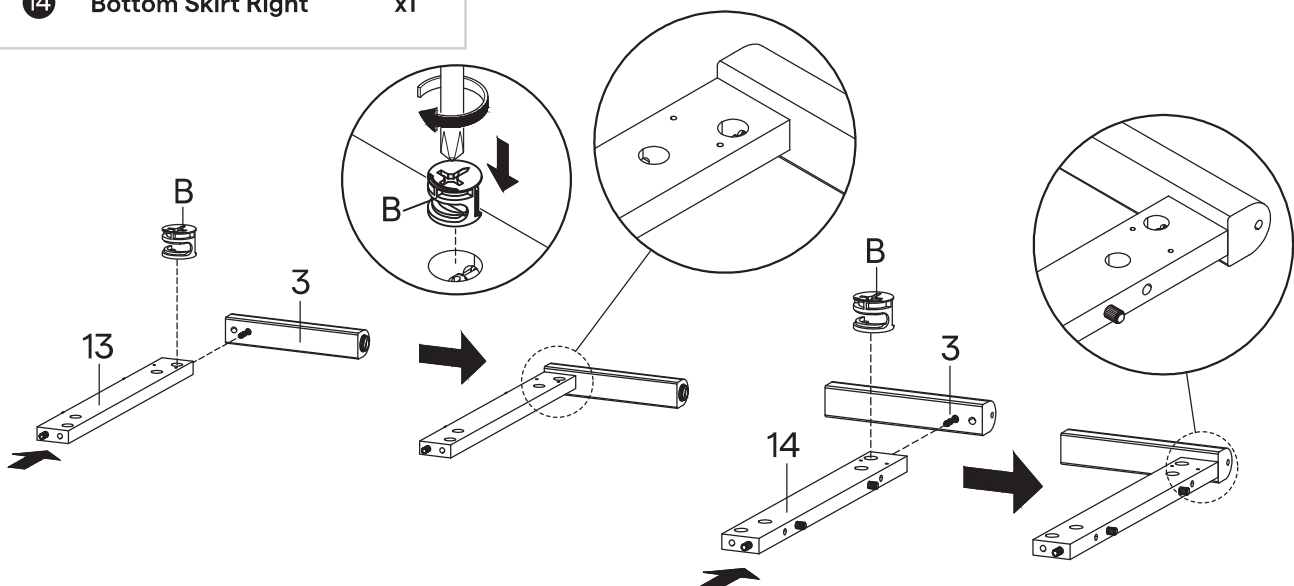
- B** Cam Lock  $\varnothing 15$  mm x2

**COMPONENTS**

- 3** Back Leg x2
- 13** Bottom Skirt Left x1
- 14** Bottom Skirt Right x1

**14.1** Attach Back Leg (3) into Bottom Skirt Left (13). Insert Cam Lock  $\varnothing 15$  mm (B) then tighten using screwdriver, as shown in the picture.

**14.2** Attach Back Leg (3) into Bottom Skirt Right (14). Insert Cam Lock  $\varnothing 15$  mm (B) then tighten using screwdriver, as shown in the picture.

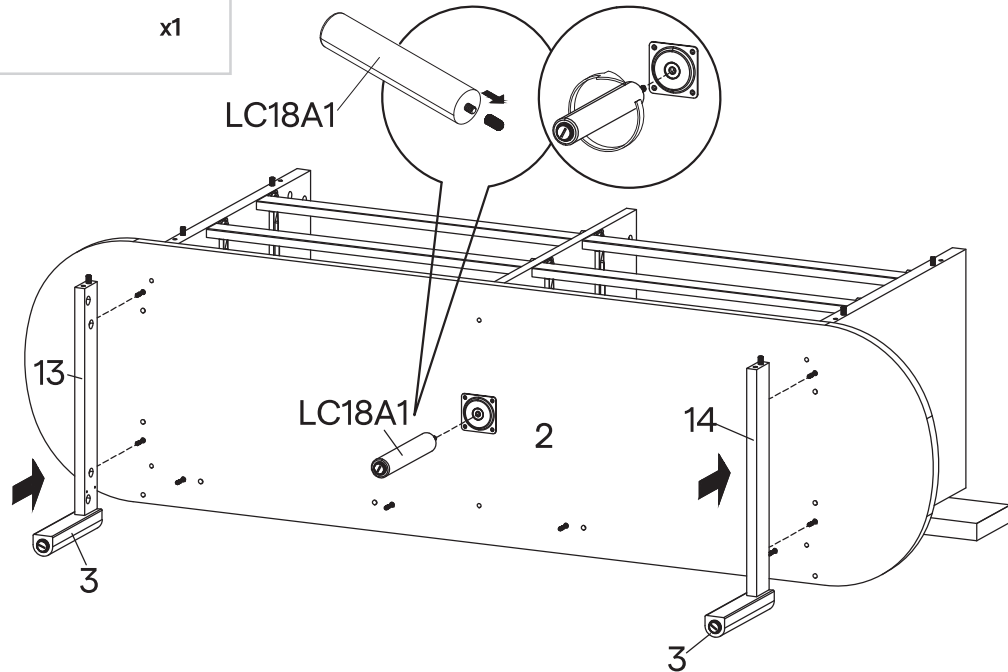


**COMPONENTS**

③	Back Leg	x2
⑬	Bottom Skirt Left	x1
⑭	Bottom Skirt Right	x1
LC18A1	Center Leg	x1

**15.1** Install Bottom Skirts & Back Legs from previous step into Bottom Board (2). Position as shown in the figure.

**15.2** Install Center Leg (LC18A1) into Bottom Board. Tighten by rotating clockwise.

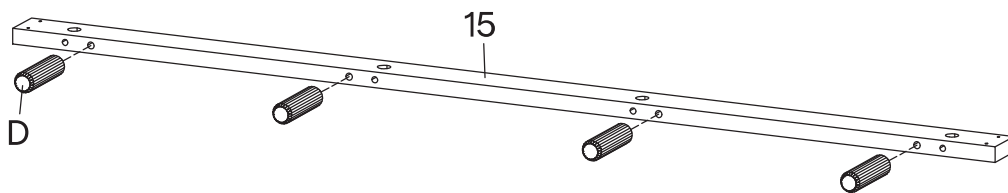
**STEP 16****HARDWARE**

Ⓓ	Wood Dowel Ø8 x 30 mm x4
---	--------------------------

**COMPONENTS**

⑮	Bottom Skirt Center	x1
---	---------------------	----

**16.1** Insert Wood Dowel Ø8 x 30 mm (D) into the Bottom Skirt Center (15).



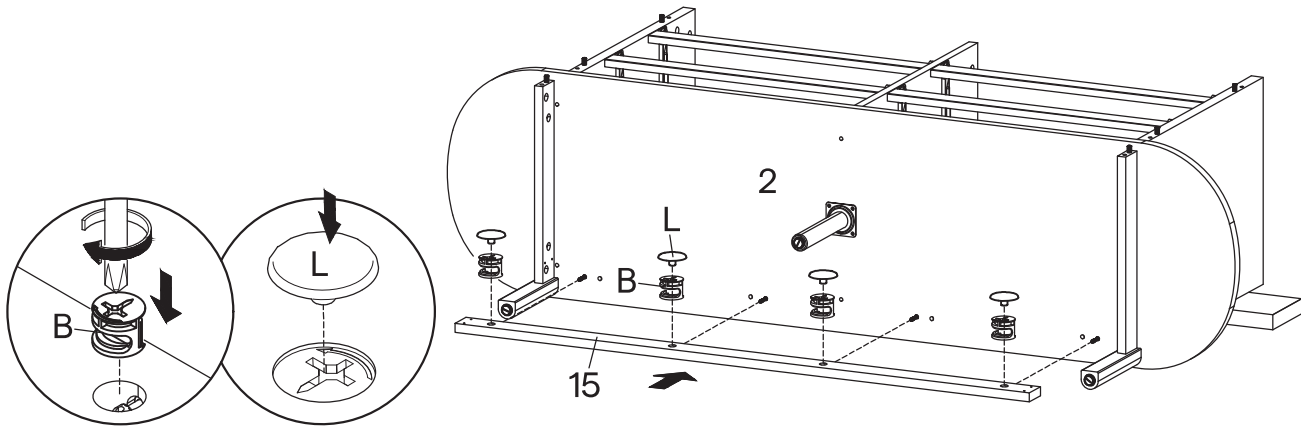
**HARDWARE**

- B** Cam Lock Ø15 mm x4
- L** Screw Cap Ø15 mm x4

**COMPONENTS**

- 15** Bottom Skirt Center x1

17.1 Attach Bottom Skirt Center (15) into Bottom Board (2), secure with Cam Lock Ø15 mm (B), then tighten using screwdriver. And put Screw Cap Ø15 mm (L) into Cam Lock. Position as shown in the figure

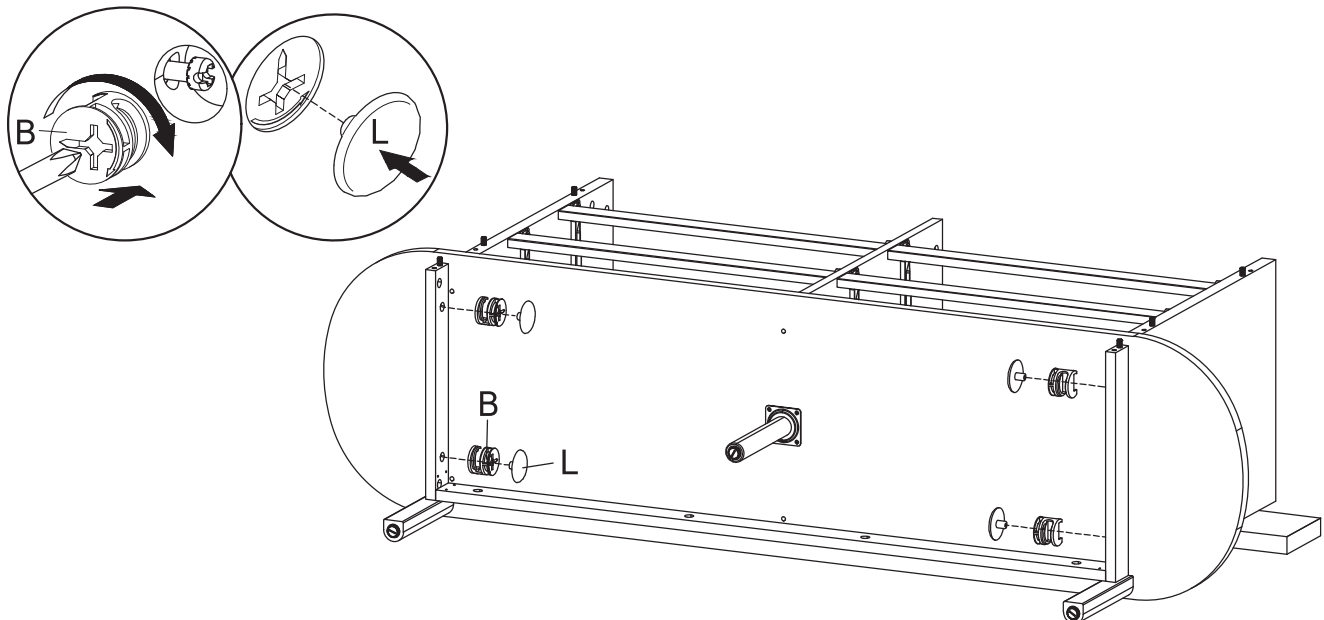


## STEP 18

**HARDWARE**

- B** Cam Lock Ø15 mm x4
- L** Screw Cap Ø15 mm x4

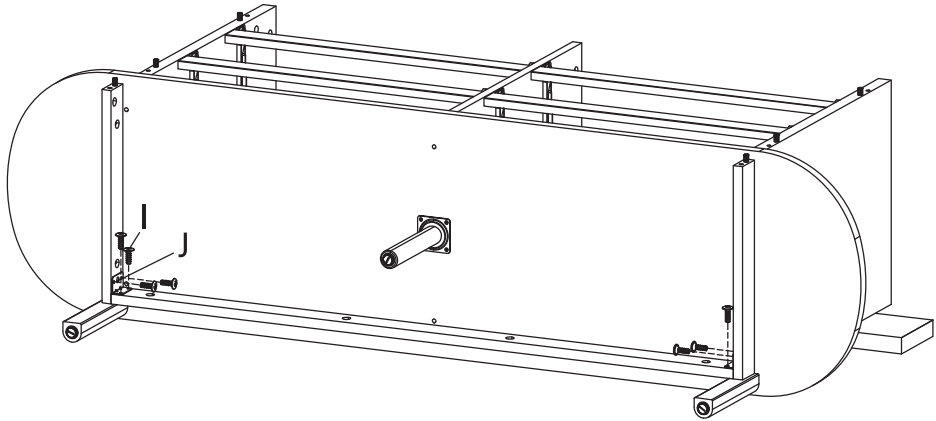
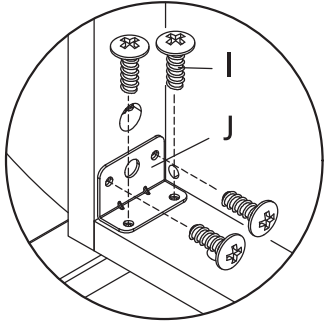
18.1 Securing the Bottom Skirts with Cam Lock Ø15 mm (B), then tighten using screwdriver. And put Screw Cap Ø15 mm (L) to Cam Lock. Position as shown in the figure.



**HARDWARE**

- I** Screw M 4.5 x 12.5 mm x8
- J** Bracket x2

**19.1** Insert Bracket (J) into Bottom Skirts, secure with Screw M 4.5 x 12.5 mm (I), then tighten using screwdriver.



## STEP 20

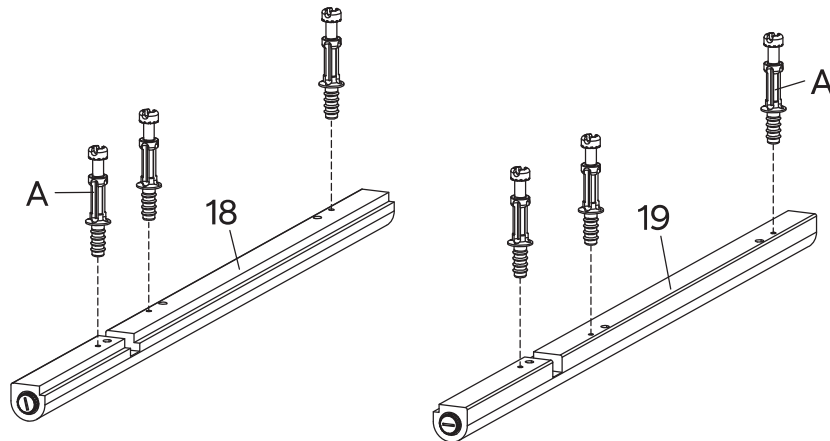
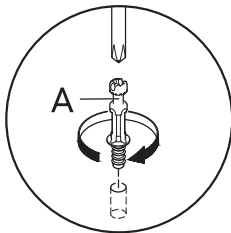
**HARDWARE**

- A** Cam Bolt  $\varnothing 6 \times 35$  mm x6

**COMPONENTS**

- 18** Front Leg Left x1
- 19** Front Leg Right x1

**20.1** Insert Cam Bolt  $\varnothing 6 \times 35$  mm (A) into Front Leg Left (18) and Front Leg Right (19), then tighten using screwdriver.



**HARDWARE**

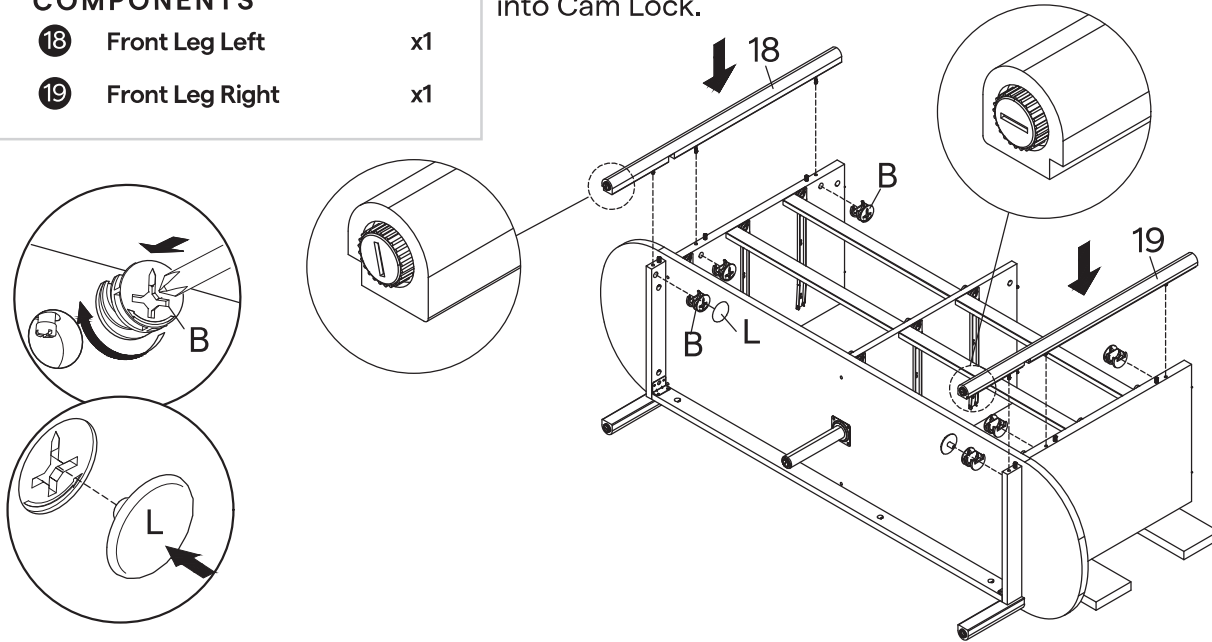
- B** Cam Lock Ø15 mm x6
- L** Screw Cap Ø15 mm x2

**COMPONENTS**

- 18** Front Leg Left x1
- 19** Front Leg Right x1

**21.1** Install Front Leg Left (18) and Front Leg Right (19) to pre-assembled secure with Cam Lock Ø15 mm (B) then tighten using screwdriver. Position as shown in the figure.

**21.2** Securing the Bottom Skirts with Cam Lock Ø15 mm (B) then tighten using screwdriver and put Screw Cap Ø15 mm (L) into Cam Lock.

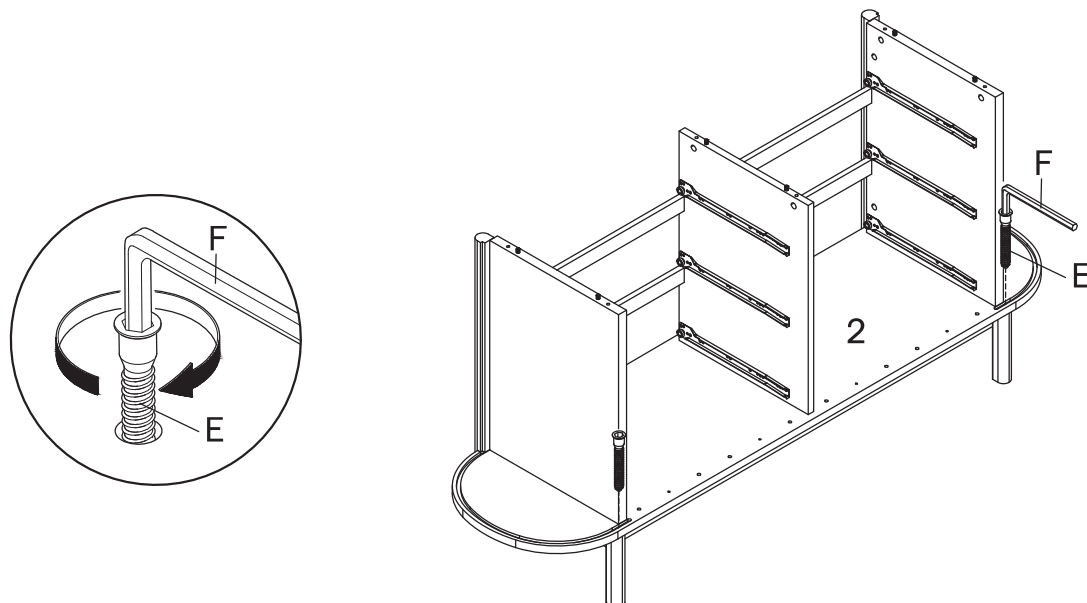


## STEP 22

**HARDWARE**

- E** Screw M 7 x 50 mm x2
- F** Allen Key x1

**22.1** Insert Screw M7 x 50 mm (E) into Bottom Board, then tighten using the Allen Key (F). Position as shown in the figure.



**HARDWARE**

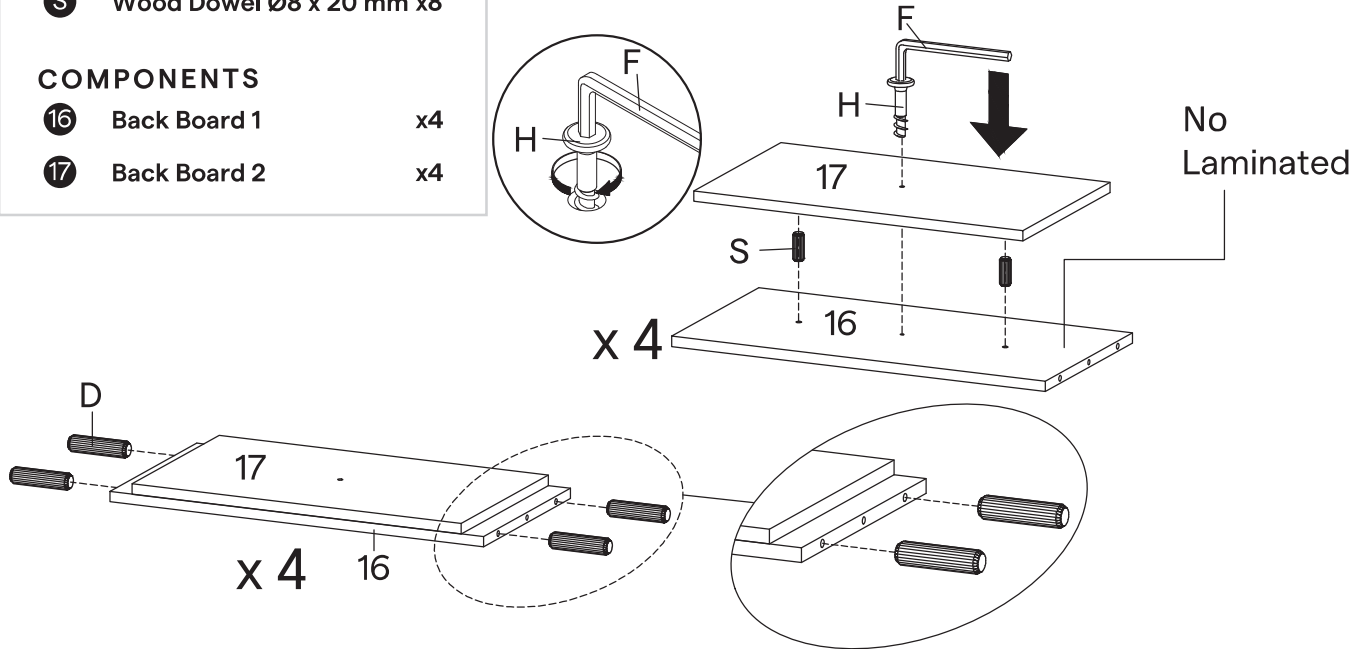
- D** Wood Dowel Ø8 x 30 mm x16
- F** Allen Key x1
- H** Screw M 6.4 x 25 mm x4
- S** Wood Dowel Ø8 x 20 mm x8

**COMPONENTS**

- 16** Back Board 1 x4
- 17** Back Board 2 x4

**23.1** Insert Wood Dowel Dowel Ø8 x 20 mm (S) into Back Board 2 (16) attach the Back Board 2 (17) securing with Screw M 6.4 x 25 mm (H), then tighten using Allen Key (F). Position as shown in the figure.

**23.2** Insert Wood Dowel Ø8 x 30 mm (D) into Back Board 1 (16). Position as shown in the figure.



STEP 24

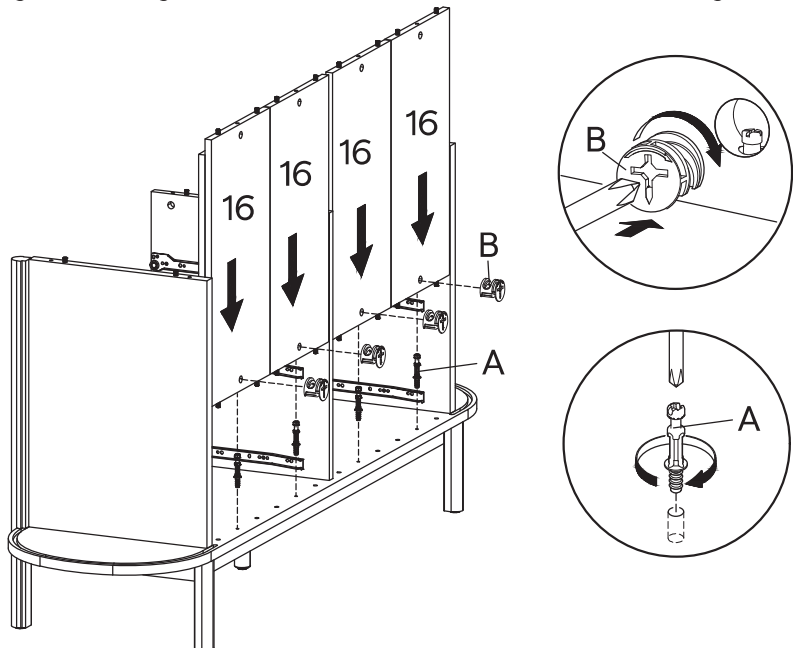
**HARDWARE**

- A** Cam Bolt Ø6 x 35 mm x4
- B** Cam Lock Ø15 mm x4

**COMPONENTS**

- 16** Back Board 1 x4
- 17** Back Board 2 x4

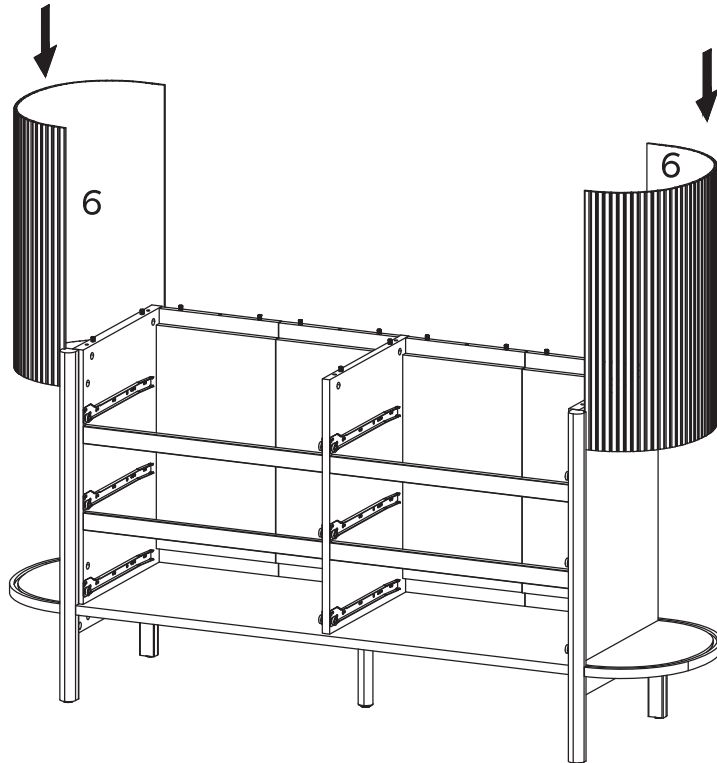
**24.1** Insert Cam Bolt Ø6 x 35 mm (A) into the Bottom Board. Install Back Boards secure with Cam Lock Ø15 mm (B) then tighten using screwdriver. Position as shown in the figure.



## COMPONENTS

⑥ Bar Side x2

25.1 Install Bar Side (6) into Bottom Board. Position as shown in the figure.



## STEP 26

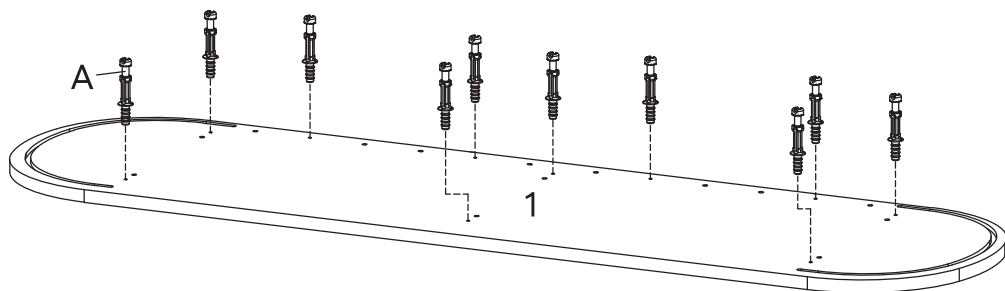
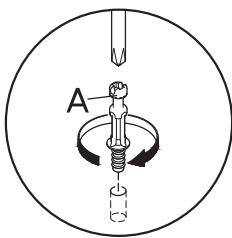
## HARDWARE

Ⓐ Cam Bolt Ø6 x 35 mm x10

## COMPONENTS

① Top Board x1

26.1 Insert Cam Bolt Ø6 x 35 mm (A) into the Top Board (1), then tighten using screwdriver.



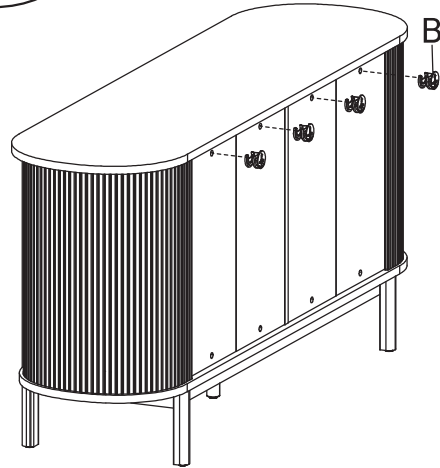
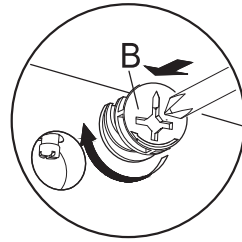
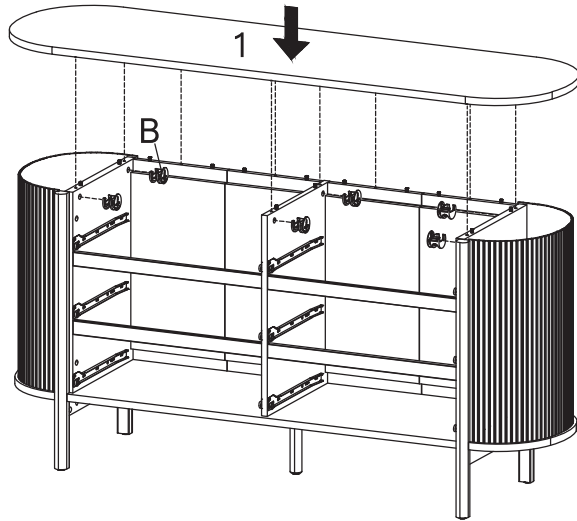
**HARDWARE**

**B** Cam Lock Ø15 mm x10

**COMPONENTS**

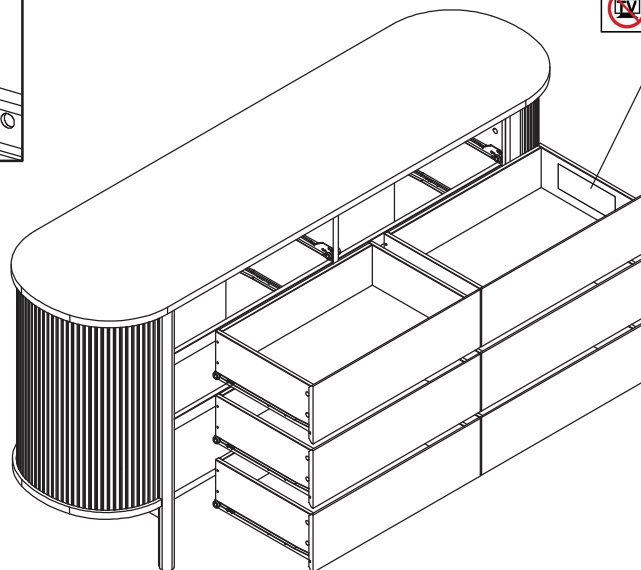
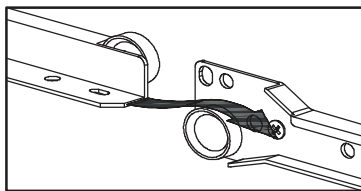
**1** Top Board x1

**27.1** Insert Top Board (1) to pre-assembled product secure with Cam Lock Ø15 mm (B), then tighten using screwdriver. Position as shown in the figure.



STEP 28

**28.1** Hold the sides of drawer, position the wheel of rail at drawer back and the wheel of rail at side boards, according to the image. Slide in the drawers one by one into the chest drawer.



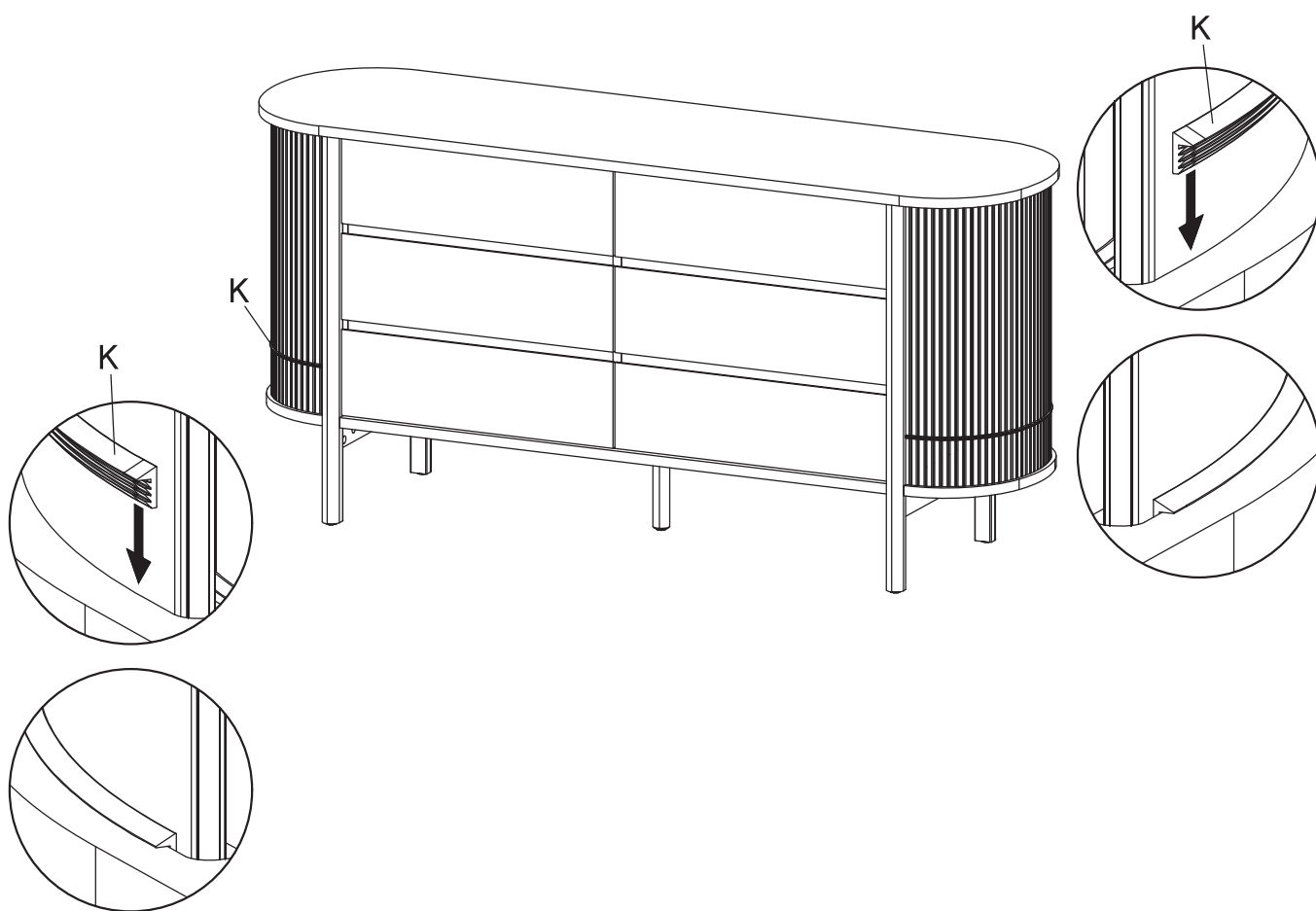
<p><b>ADVERTENCIA</b></p> <p>Los niños han que evitar el uso de este producto. Para reducir el riesgo de lesiones evitar el uso de este producto.</p> <p>Evitar el uso de este producto en áreas de tráfico de vehículos.</p> <p>Evitar el uso de este producto en áreas de tráfico de vehículos.</p> <p>Evitar el uso de este producto en áreas de tráfico de vehículos.</p> <p>Evitar el uso de este producto en áreas de tráfico de vehículos.</p> <p>Evitar el uso de este producto en áreas de tráfico de vehículos.</p> <p>Evitar el uso de este producto en áreas de tráfico de vehículos.</p> <p>Evitar el uso de este producto en áreas de tráfico de vehículos.</p> <p>Evitar el uso de este producto en áreas de tráfico de vehículos.</p>	<p><b>WARNING</b></p> <p>Children have to avoid from using this product. To reduce the risk of injuries avoid the use of this product.</p> <p>Avoid the use of this product in areas of vehicle traffic.</p> <p>Avoid the use of this product in areas of vehicle traffic.</p> <p>Avoid the use of this product in areas of vehicle traffic.</p> <p>Avoid the use of this product in areas of vehicle traffic.</p> <p>Avoid the use of this product in areas of vehicle traffic.</p> <p>Avoid the use of this product in areas of vehicle traffic.</p> <p>Avoid the use of this product in areas of vehicle traffic.</p> <p>Avoid the use of this product in areas of vehicle traffic.</p>
---	--

**HARDWARE**

**K** List

x2

**29.1** Install List (K) into lower groove line in Bottom Board.  
Position as shown in the figure.

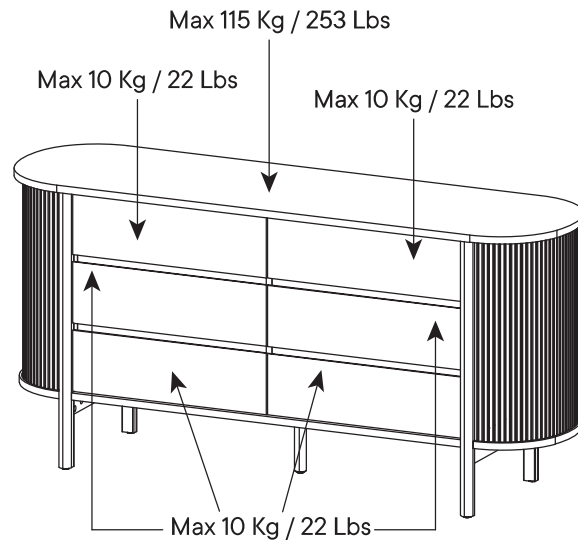


# Great job!

Chest of Drawers assembly is complete

## CARING FOR YOUR ITEM

- Indoor use only.
- Not contract grade.
- Clean using a non-abrasive cloth and a mild cleaner.
- Never use harsh chemicals, as they could damage the finish or integrity of the item.



## CONNECT WITH US!

Tag us @modway\_furniture and #modway for a chance to be featured.

# modway



Questions? Contact us!

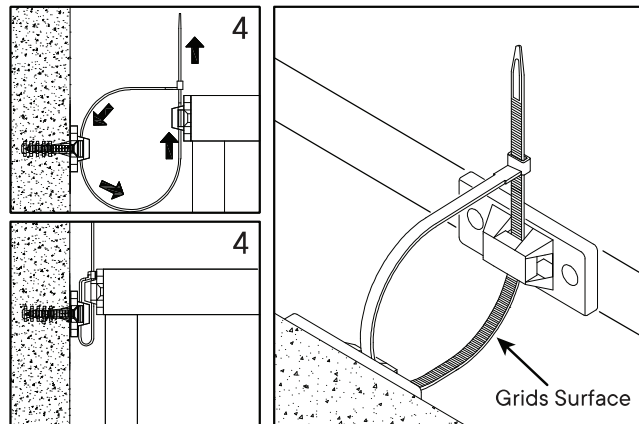
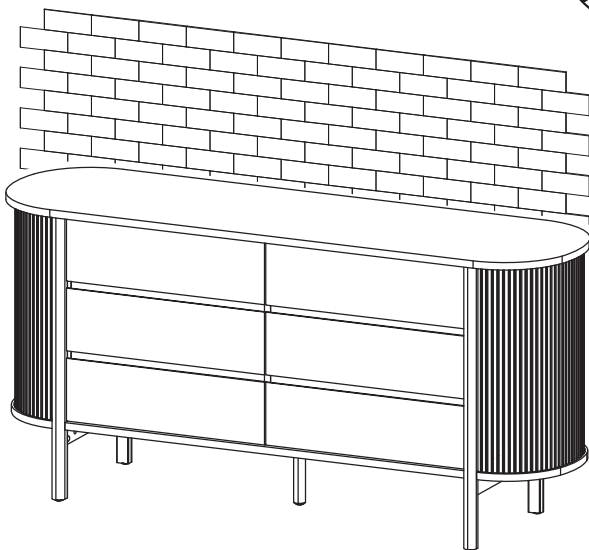
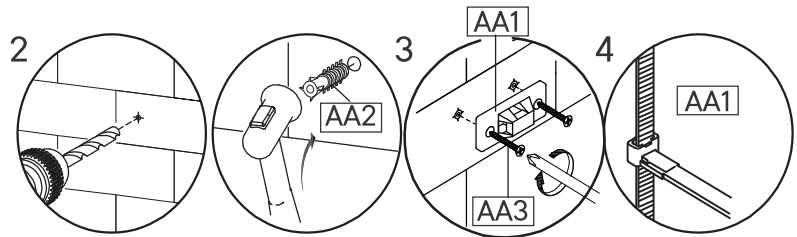
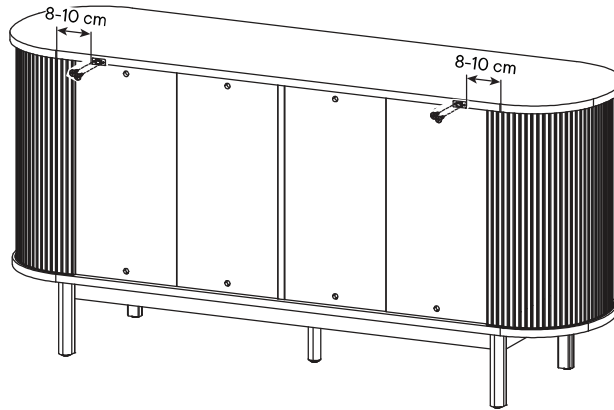
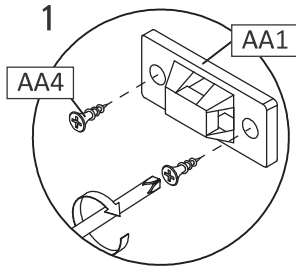
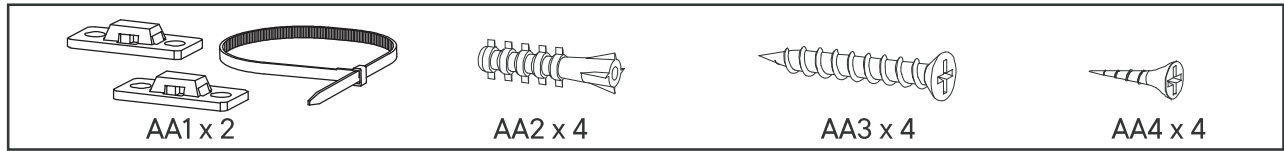
609.256.9000  
cs@modway.com

# TIPPING RESTRAINTS KIT INSTALLATION GUIDANCE

Different wall materials require unique wall fasteners.

The wall plugs (AA2) and screws (AA3) are designed for fixing to concrete walls only.

Please consult your local hardware store to ensure you are using the correct hardware for you wall type.



## Installation Instructions :

1. Attach bracket (AA1) securely to the back top of the furniture using screw (AA4) provided. Allow 8 - 10 cm from each side.
2. Please make a hole for wall plugs position on the wall and minimum 15 mm below bracket secured to the back of unit attach the wall plugs (AA2).
3. Locate the other bracket (AA1) on the wall over wall plugs (AA2). Place furniture into position so both brackets (AA1) are vertically in the line.
4. Lace the end of the restraints strap through the larger hole in each bracket. Ensure the restraints strap with grids surface facing the inner loops. Bring both ends together and slide the flat end through the locking end and draw it through until all slack is removed.
5. Make sure that the strap is securely laced & locked.